

Grooved Couplings, Fittings & Valves






QUALITY

- Manufacturing facility is ISO 9001:2008
- Quality inspections both at the overseas factory and our USA warehouses
- UL Listed & FM Approved – sizes up to 12"

SERVICE

- Dedicated COOPLOK™ customer service staff
- Timely shipment of orders
- Emailed or Faxed confirmation of every order
- Excellent fill rate
- ProPak™ System makes products easier to handle and warehouse

TRACEABILITY

- The  logo is on all fittings, couplings, bolts, and gaskets
- Canadian Registration Number (CRN) available at www.smithcooper.com (does not include fabricated fittings)

AVAILABILITY

- Stocked in orange paint or hot dipped galvanized
- Stocked throughout the USA – sizes 1” to 24”

PROTECTION

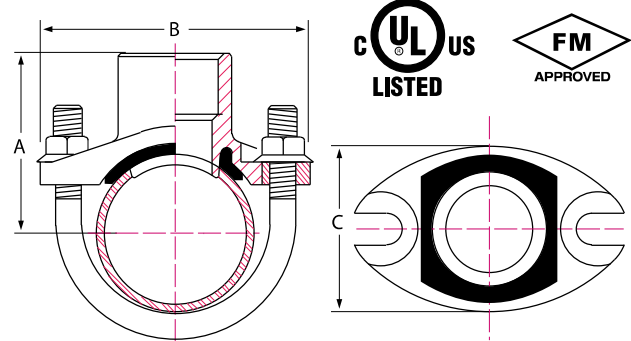
- USA engineering staff available
- \$25,000,000 product liability insurance

Housing	• Ductile Iron conforming to ASTM A-536, Grade 65-45-12
Coatings	• Orange paint • Hot dipped galvanized conforming to ASTM A-153
Hardware	• Electroplated track bolts conforming to ASTM A-183 with a minimum tensile strength of 110,000 psi • 100% magnetic particle inspection of each bolt
Gaskets	• Grade E - EPDM (green stripe): Temperature Range: -30°F (-34°C) to +230°F (+110°C) • Grade T - Nitrile (orange stripe): Temperature Range: -20°F (-29°C) to +180°F (+82°C) • Grade O - Fluoroelastomer (blue stripe): Temperature Range: +20°F (-6°C) to +300°F (+149°C)
Grooves	• Dimensions to AWWA C-606
For Use With	• IPS Carbon & Stainless Steel Pipe

Please see complete installation instructions at www.smithcooper.com for important guidelines and limitations on the use and applications of SCI COOPLOK™ Grooved Couplings and Fittings.

Fig. 65MU & 66MU
Strap Tee, NPT

- Maximum working pressure 300 psi (20.7 bar) depending on size and schedule of pipe
- ASME B1.20.1 NPT threads
- Equivalent length in feet of schedule 40 outlet pipe with a Hazen-Williams coefficient of 120 per UL 213
- 1" outlets not listed by UL for direct connection to 1" sprinkler heads
- Gasket Grade E - EPDM (green stripe) -30°F (-34°C) to +230°F (+110°C)
- Ductile iron housings conform to ASTM A-536
- Smith-Cooper Warranty only applies to assemblies made with housings, gaskets and bolts carrying the logo



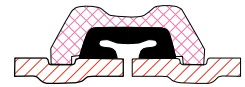
Size Run x Branch in / mm	Part Number		Hole Diameter +1/8, -0 / +3.2, -0 in / mm	Dimensions			Equivalent Length in Feet	Case Qty	Weight lb / kg
	Painted	Galvanized		A	B	C			
1-1/4 x 1/2 32 x 15	65MU3012004	66MU3012004	1-1/4 32	1.65 41.9	3.54 89.9	2.28 57.9	-	50	0.8 0.4
1-1/4 x 3/4 32 x 20	65MU3012006	66MU3012006	1-1/4 32	1.85 47.0	3.54 89.9	2.28 57.9	-	50	0.9 0.4
1-1/4 x 1 32 x 25	65MU3012010	66MU3012010	1-1/4 32	2.13 54.1	3.54 89.9	2.28 57.9	5	50	1.0 0.5
1-1/2 x 1/2 40 x 15	65MU3014004	66MU3014004	1-1/4 32	1.77 45.0	3.54 89.9	2.28 57.9	-	48	0.8 0.4
1-1/2 x 3/4 40 x 20	65MU3014006	66MU3014006	1-1/4 32	1.97 50.0	3.54 89.9	2.28 57.9	-	48	0.9 0.4
1-1/2 x 1 40 x 25	65MU3014010	66MU3014010	1-1/4 32	2.24 56.9	3.54 89.9	2.28 57.9	5	48	1.0 0.5
2 x 1/2 50 x 15	65MU3020004	66MU3020004	1-1/4 32	2.01 51.1	3.74 95.0	2.28 57.9	-	45	0.8 0.4
2 x 3/4 50 x 20	65MU3020006	66MU3020006	1-1/4 32	2.20 55.9	3.74 95.0	2.28 57.9	-	45	0.9 0.4
2 x 1 50 x 25	65MU3020010	66MU3020010	1-1/4 32	2.48 63.0	3.74 95.0	2.28 57.9	5	45	1.0 0.5
2-1/2 x 1/2 65 x 15	65MU3024004	66MU3024004	1-1/4 32	2.26 57.4	4.29 109.0	2.28 57.9	-	36	1.0 0.5
2-1/2 x 3/4 65 x 20	65MU3024006	66MU3024006	1-1/4 32	2.50 62.5	4.29 109.0	2.30 57.9	-	36	1.1 0.5
2-1/2 x 1 65 x 25	65MU3024010	66MU3024010	1-1/4 32	2.70 69.6	4.29 109.0	2.30 57.9	5	36	1.2 0.5

GROOVED

Please see complete installation instructions at www.smithcooper.com for important guidelines and limitations on the use and applications of COOPLOK™ Grooved Couplings and Fittings.

Standard "C" Type – Fig. 65GCPE (EPDM), 65GCPN (Nitrile) 65GCPF (Fluoroelastomer)

Standard "C" Type gaskets are the most commonly used coupling gasket. When installed, they provide a seal over each grooved pipe end. As coupling housings are tightened, they form the gasket to the inside cavity of the coupling creating an additional seal. The pressure of the system increases the sealing action of the gasket against the pipe, providing a leak-tight seal. For use with COOPLOK™ 65LR, 65LF, 65SR & 65SF couplings. For COOPLOK™ 65HP Couplings, use 65GHPN (Nitrile with Double Orange Stripe) gaskets only.



Available in Pre-Lubricated EPDM, Nitrile & Fluoroelastomer*. Sizes: 1-1/4" to 24"
*(Sizes: 1-1/4" to 12")

Triple Seal – Fig. 65GTRI (EPDM)

Triple Seal gaskets are typically used in dry pipe fire protection systems, freezer applications and vacuum service. They differ from the "C" Type gasket in that they have an additional center sealing surface that sits over the pipe gap where the grooved pipe ends meet. As the coupling housing is tightened, the center seal closes off the pipe gap and provides the "triple seal". Sold as part of COOPLOK™ 65LRTRI coupling.

(NOTE: A petroleum-free silicone based lubricant is recommended for dry pipe systems.)



Available in EPDM only. Sizes: 1-1/4" to 8"

End Shield™ – Fig. 65GCPNES (Nitrile)

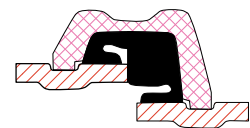
End Shield™ gaskets are specially designed for use with COOPLOK™ Grooved 65HP-ES high pressure rigid couplings in applications with lined pipe. They differ from the Triple Seal gasket in that the center rib is positioned in between the pipe ends. This results in a continuous lined surface and protects the pipe ends from corrosion and damage.



Available in Nitrile only. Sizes: 2", 3", 4" & 6"

Reducing Coupling – Fig. 65GRCE (EPDM) & 65GRCN (Nitrile)

Reducing Coupling gaskets provide sealing surfaces for the two sizes of pipe they join, similar to the "C" Type gaskets. Coupling housings are tightened and the gasket seals each grooved pipe end. For use with COOPLOK™ 65RC coupling sizes only.

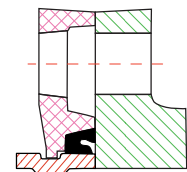


Available in EPDM & Nitrile. Sizes: 2" x 1-1/2" to 8" x 6"

Flange Adapter – Fig. 65GFHE (EPDM) & Fig. 65GFHN (Nitrile)

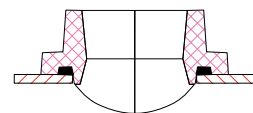
The Flange Adapter gasket provides a seal between the grooved end pipe and the flange surface it meets. Specifically designed for use with COOPLOK™ 65FH Hinged Flanged Adapter.

Available in EPDM & Nitrile. Sizes: 2" to 12"



Mechanical Tee – Fig. 65GMT (EPDM) & Strap Tee – Fig. 65GMU (EPDM)

Mechanical Tee & Strap Tee gaskets are made to conform to the exterior surface of the pipe. When fittings are tightened, a compression-type seal is formed. For use with COOPLOK™ 65MT, 65MG & 65MU fittings.



Available in EPDM only. Sizes: 2" to 8" for 65MT & 65MG; 1-1/4" to 2-1/2" for 65MU

Please see complete installation instructions at www.smithcooper.com for important guidelines and limitations on the use and applications of SCI COOPLOK™, Grooved Couplings and Fittings.