

# ELKAY®

## SPECIFICATIONS

### Gourmet Undermount Single Bowl Sink Model ELUH1212

#### NEW ELUH Installation Options

ELUH models have been redesigned to accommodate 1/2" reveal and no reveal installation options.

#### GENERAL

Highest quality sink formed of #18 (1.2mm) gauge, type 304 (18-8) nickel bearing stainless steel. Undermount.

#### DESIGN FEATURES

Bowl Depth: 7" (178mm).

Coved Corners: 1-3/4" (44mm) vertical and horizontal radius.

Finish: Exposed surfaces are hand blended to a Lustrous

Highlighted Satin finish.

Underside: Underside of sink is fully protected by heavy duty Sound Guard® undercoating to reduce condensation and dampen sound.

#### OTHER

Drain Opening: 3-1/2" (89mm).

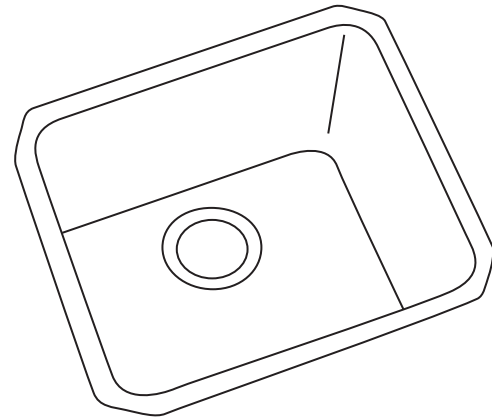
Note: All Elkay undermount sinks are designed to affix to the underside of any solid surface countertop.

Installation: See illustrated profile below.

Sink complies with ASME A112.19.3/ CSA B45.4



Sinks are listed by IAPMO® as meeting the applicable requirements of the Uniform Plumbing Code®, International Plumbing Code®, and National Plumbing Code of Canada.



Model ELUH1212



#### OPTIONAL ACCESSORIES

Cutting Board: (Reveal mount only) CB912

Drain: LK99

Mounting Clip: LKUCLIP8

Rinsing Basket: LKWRB1209SS

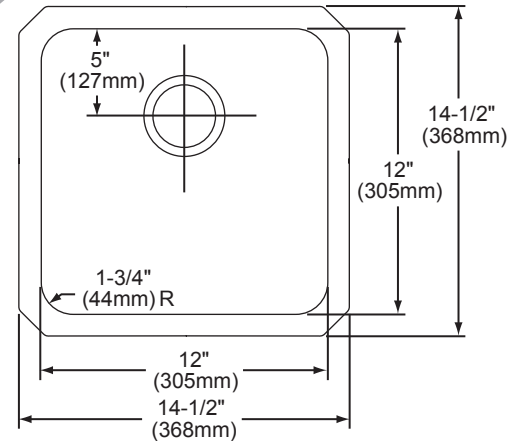
Utensil Caddy for Rinsing Basket: LKWUCSS

#### SINK DIMENSIONS\*

Model Number	Overall		Inside Bowl			Cutout in Countertop	Minimum Cabinet Size
	L	W	L	W	D		
ELUH1212	14 1/2 (368mm)	14 1/2 (368mm)	12 (305mm)	12 (305mm)	7 (178mm)	See Template**	18 (457mm)

\*Length is left to right. Width is front to back.

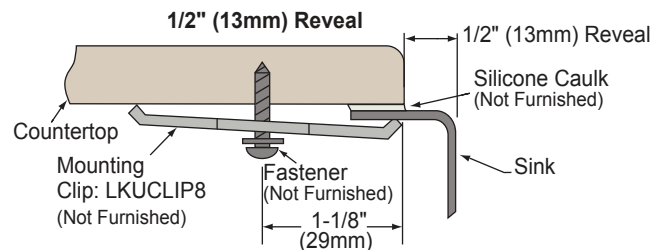
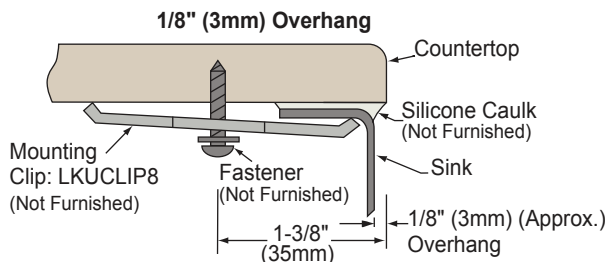
\*\*Template #1000001423 is packed with every sink.



Model ELUH1212 Illustrated



#### Installation Profile



In keeping with our policy of continuing product improvement, Elkay reserves the right to change product specifications without notice. Please visit [elkay.com](http://elkay.com) for the most current version of Elkay product specification sheets.

This specification describes an Elkay product with design, quality, and functional benefits to the user. When making a comparison of other producers' offerings, be certain these features are not overlooked.