

STERLING®

A KOHLER COMPANY

LAWSON™

Features

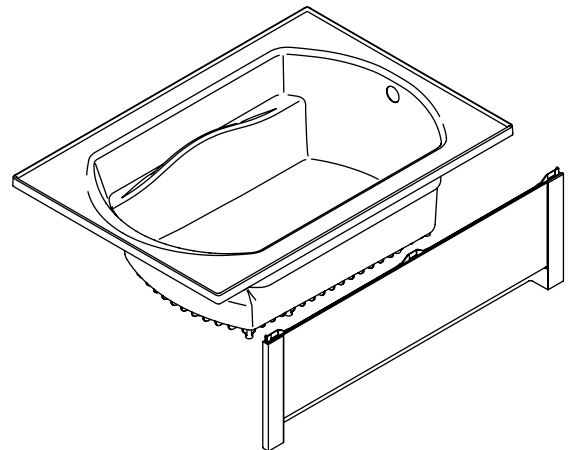
- Compression molded from our exclusive solid Vikrell® material
- 10-year consumer/3-year commercial limited warranty
- Durable high-gloss finish
- Optional attached apron 71268100
- 60" (1524 mm) x 42" (1067 mm) x 20-5/16" (516 mm) rough-in dimensions include flanges
- 60" (1524 mm) x 42" (1067 mm) x 20-5/16" (516 mm) finished dimensions

Codes/Standards Applicable

Specified model meets or exceeds the following:

- ANSI Z124.1.2
- ASTM E162
- ASTM E662
- CSA B45
- CSA B45.5

42" (1067 mm) DROP-IN BATH
71281100
ALSO 71281500



Colors/Finishes

- 0: White
- Other: Refer to Price Book for additional colors/finishes

Specified Model

Model	Description	Colors/Finishes	
71281100	60" (1524 mm) x 42" (1067 mm) drop-in bath	<input type="checkbox"/> 0	<input type="checkbox"/> Other _____
71281500	60" (1524 mm) x 42" (1067 mm) drop-in bath, 5 pack	<input type="checkbox"/> 0	<input type="checkbox"/> Other _____

Technical Information

Fixture*:	
Basin area:	
Bathing well	44" (1118 mm) x 25-3/4" (654 mm)
Top area	51" (1295 mm) x 32-3/4" (832 mm)
To overflow:	
Water depth	15-1/4" (387 mm)
Capacity	68 gal (257.4 L)
* Approximate measurements for comparison only.	

Model	Door maximum width	Door maximum height
All	60" (1524 mm)*	NA*

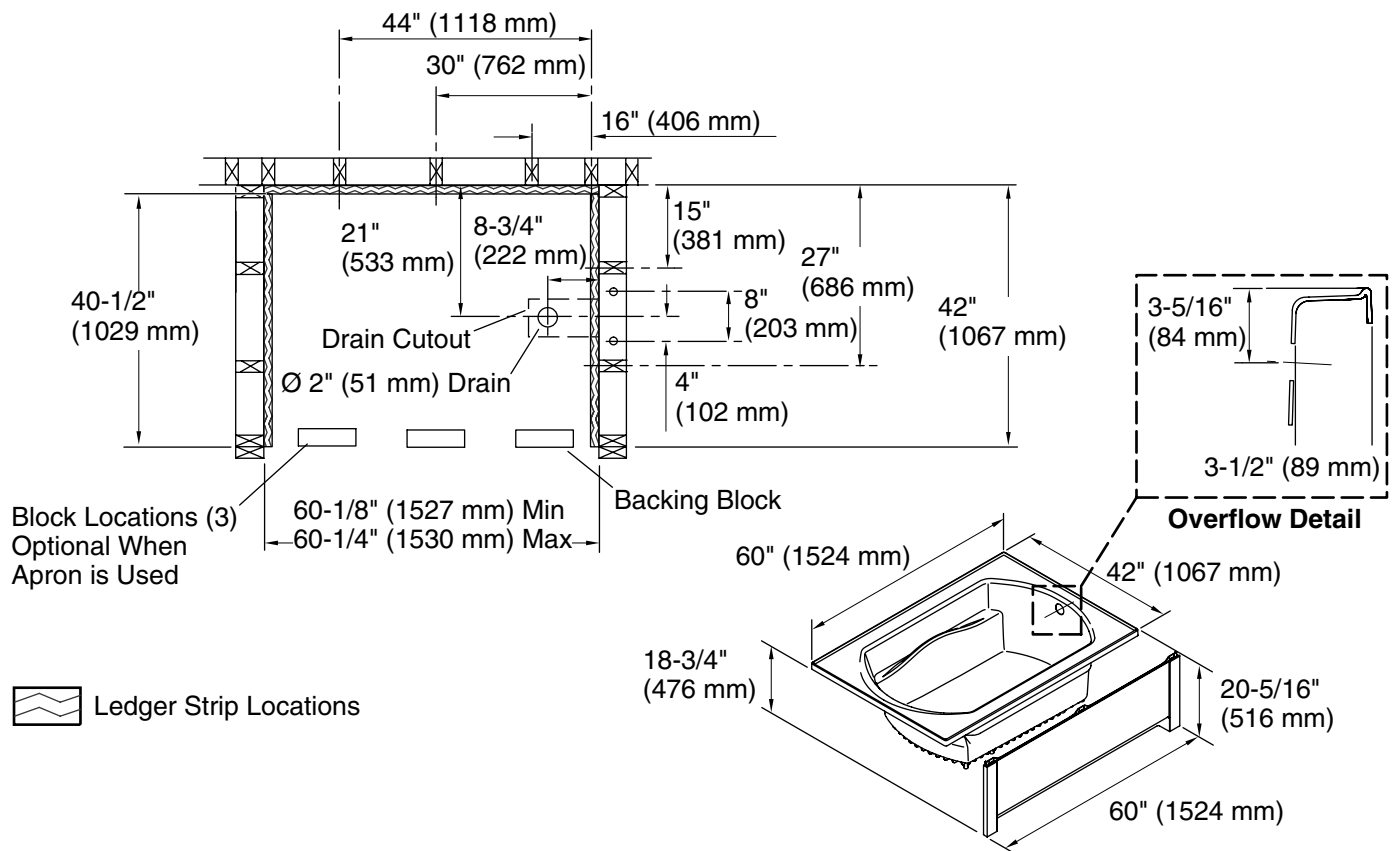
* Varies with alternative walls.

Installation Notes

Install this product according to the installation guide.

Size the drain cutout to fit the drain assembly that will be used.

Studs should be positioned roughly as shown.



Product Diagram