

STERLING®

A KOHLER COMPANY

LAWSON™

Features

- Compression molded from our exclusive solid Vikrell® material
- 10-year consumer/3-year commercial limited warranty
- Durable high-gloss finish
- Optional attached apron 71268100
- 60" (1524 mm) x 32" (813 mm) x 20-5/16" (516 mm) rough-in dimensions include flanges
- 60" (1524 mm) x 32" (813 mm) x 20-5/16" (516 mm) finished dimensions

Codes/Standards Applicable

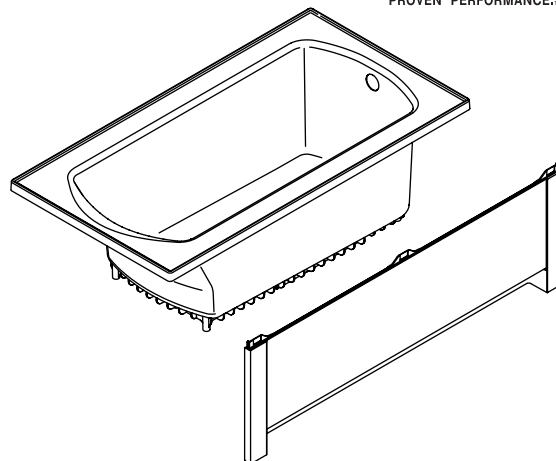
Specified model meets or exceeds the following:

- ANSI Z124.1.2
- ASTM E162
- ASTM E662
- CSA B45
- CSA B45.5

32" (813 mm) DROP-IN BATH
71261100
ALSO 71261500



MATERIAL STRENGTH.
PROVEN PERFORMANCE...



Colors/Finishes

- 0: White
- Other: Refer to Price Book for additional colors/finishes

Specified Model

Model	Description	Colors/Finishes	
71261100	60" (1524 mm) x 32" (813 mm) drop-in bath	<input type="checkbox"/> 0	<input type="checkbox"/> Other _____
71261500	60" (1524 mm) x 32" (813 mm) drop-in bath, 5 pack	<input type="checkbox"/> 0	<input type="checkbox"/> Other _____

