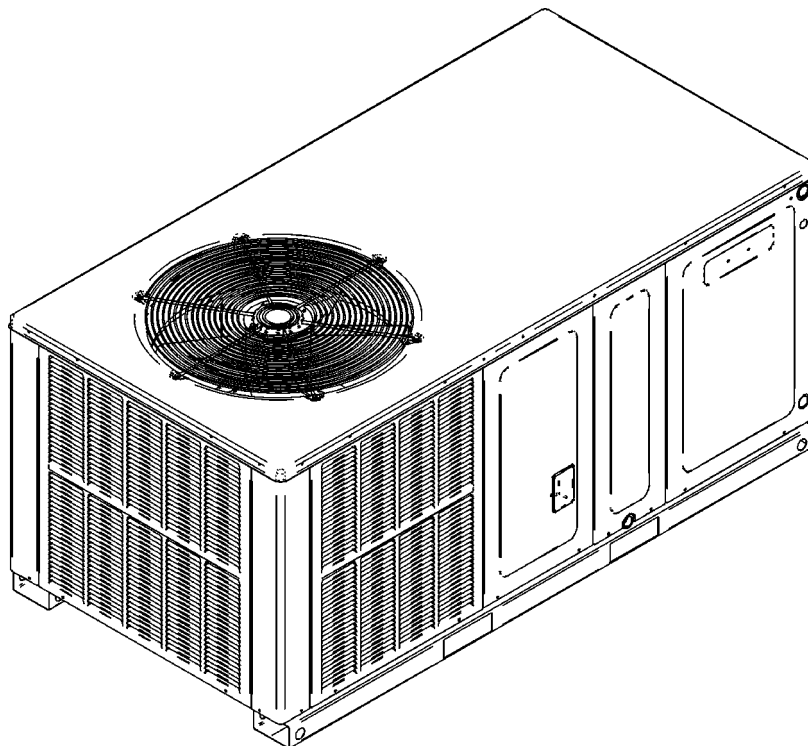


# REPAIR PARTS

## GPC13 H-Series Package Coolers

---

GPC1324H41AB  
GPC1330H41AB  
GPC1336H41AB  
GPC1342H41AB  
GPC1349H41AA  
GPC1360H41BB



This manual is to be used by qualified technicians only.

This manual replaces RP-621

© 2010 Goodman Manufacturing Company, L.P. ♦ 5151 San Felipe, Suite 500 ♦ Houston, TX 77056

# Important Information

---

## Index

Functional Parts List .....	3
Illustration and Parts .....	4 - 13

*Views shown are for parts illustrations only, not servicing procedures.*

Revision A: Added models GPC1324H41AB and GPC1330H41AB.

### Text Codes:

AR - As Required

NA - Not Available

NS - Not Shown

00000000 - See Note

QTY - Quantity Example (QTY 3) (If Quantity not shown, Quantity = 1)

M - Model Example (M1) (If M Code not shown, then part is used on all Models)

### Expanded Model Nomenclature:

Example M1 - Model#1 M2 - Model#2 M3 - Model#3
---

Goodman Manufacturing Company, L.P. is not responsible for personal injury or property damage resulting from improper service. Review all service information before beginning repairs.

Warranty service must be performed by an authorized technician, using authorized factory parts. If service is required after the warranty expires, Goodman Manufacturing Company, L.P. also recommends contacting an authorized technician and using authorized factory parts.

Goodman Manufacturing Company, L.P. reserves the right to discontinue, or change at any time, specifications or designs without notice or without incurring obligations.

For assistance within the U.S.A. contact:  
Consumer Affairs Department  
Goodman Manufacturing Company, L.P.  
7401 Security Way  
Houston, Texas 77040  
877-254-4729-Telephone  
713-863-2382-Facsimile

For assistance outside the U.S.A. contact:  
International Division  
Goodman Manufacturing Company, L.P.  
7401 Security Way  
Houston, Texas 77040  
713-861-2500-Telephone  
713-863-2382-Facsimile

# Functional Parts

**Part  
No:**

**Description:**

Expanded Model Nomenclature

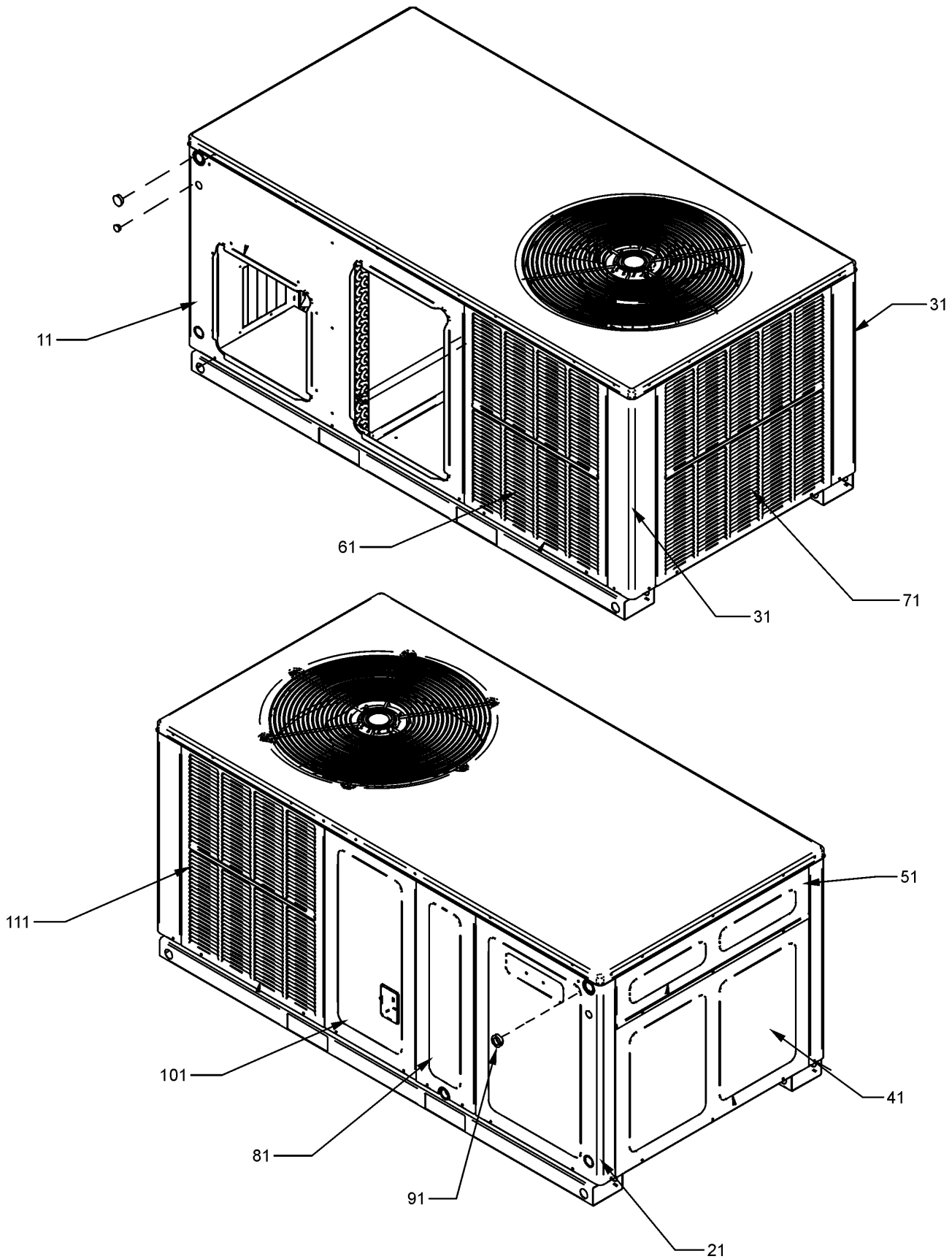
0130M00014	240 VOLT RELAY (M1, M2, M3, M4, M5)
11091202S	BLOWER MOTOR 1/3 HP, 3 SP, 6 PL (M2, M3)
11091207S	BLOWER MOTOR 1/4 HP, 3 SP, 8 PL (M1)
0231K00042	BLOWER MOTOR 3/4 HP PROGRAMMED (M6)
0131M00010P	BLOWER MOTOR, 1/2 HP, 3 SP, 8 PL (M4, M5)
B1368016S	BLOWER WHEEL 10 X 8 (M4, M5)
B1368054	BLOWER WHEEL 11 X 8 (M6)
0150M00000S	BLOWER WHEEL 9 X 6 (M2)
B1368042	BLOWER WHEEL 9 X 6 (M1)
B1368036S	BLOWER WHEEL 9 X 8 (M3)
CAP100000370VAS	CAPACITOR 10/370V [BLOWER] (M1, M2, M3)
CAP150000370VAS	CAPACITOR 15/370V [BLOWER] (M4, M5)
CAP050350440RSS	CAPACITOR 5/35/440V (M1)
CAP050400440RT	CAPACITOR 5/40/440V (M2)
CAP050450440RT	CAPACITOR 5/45/440V (M3, M4, M5)
CAP050700440RTS	CAPACITOR 5/70/440V (M6)
ZP20K5EPFV130	COMPRESSOR 20000, 208/230/60/1 (M1)
ZP24K5EPFV130	COMPRESSOR 24000, 208/230/60/1 (M2)
ZP31K5EPFV830	COMPRESSOR 31100, 208/230/60/1 (M3)
ZP34K5EPFV130	COMPRESSOR 34500, 208/230/60/1 (M4)
ZP39K5EPFV830	COMPRESSOR 39000, 208/230/60/1 (M5)
ZP51K5EPFV830	COMPRESSOR 51000, 208/230/60/1 (M6)
0131M00007PS	COND MOTOR 1/4 HP, 1 SP, 6 PL (M4, M5, M6)
0131M00061S	COND MOTOR 1/4 HP, 1 SP, 8 PL (M3)
0131M00009P	COND MOTOR 1/6 HP, 1 SP, 8 PL (M1, M2)
CONT1P025024VS	CONTACTOR 25 AMP, 1P, 24V (M1, M2, M3)
CONT1P030024VS	CONTACTOR 30 AMP, 1P, 24V (M4, M5)
CONT2P040024VS	CONTACTOR 40 AMP, 2P, 24V (M6)
PCBFM131	ELECTRONIC BLOWER TIME DELAY RELAY (M1, M2, M3, M4, M5)
0150G00005	FAN BLADE (M1, M2)
0150G00004	FAN BLADE (M4, M5, M6)
B1086765	FAN BLADE, TYPE 3 (M3)
B1141643	TRANSFORMER 208/230, 24V

M1 - GPC1324H41AB
M2 - GPC1330H41AB
M3 - GPC1336H41AB
M4 - GPC1342H41AB
M5 - GPC1349H41AA
M6 - GPC1360H41BB

## SPECIAL PARTS

IO-352B	INSTALL, INSTRUCT
B1757910	SUPPLEMENTAL INSERT (EBTDR)

# Cabinet Assembly



# Cabinet Assembly

Ref. Part No: No:	Description:	Ref. Part No: No:	Description:
-------------------	--------------	-------------------	--------------

Image 1:

11	0270G00008PS	INSULATED ASSY, DUCT PANEL 27.5" (M1, M2, M3)
11	0270G00009PS	INSULATED ASSY, DUCT PANEL 32.5" (M4, M5)
11	0270G00010PS	INSULATED ASSY, DUCT PANEL 36" (M6)
21	0270G00011PS	INSULATED ASSY, CORNER PANEL 27.5" (M1, M2, M3)
21	0270G00012PS	INSULATED ASSY, CORNER PANEL 32.5" (M4, M5)
21	0270G00013PS	INSULATED ASSY, CORNER PANEL 36" (M6)
31	0121G00047PDGS	CORNER POST 27.5" (M1, M2, M3)
31	0121G00048PDGS	CORNER POST 32.5" (M4, M5)
31	0121G00082PDG	CORNER POST 36" (M6)
41	0270G00113S	INSULATED ASSY, BLOWER DOOR 27.5" (M1, M2, M3)
41	0270G00114S	INSULATED ASSY, BLOWER DOOR 32.5" (M4, M5)
41	0270G00115S	INSULATED ASSY, BLOWER DOOR 36" (M6)
51	0121G00276DGS	EXTERNAL CONTROL BOX PANEL
61	0121G00069PDGS	LOUVERED PANEL 4 BANK 27.5" (M1, M2, M3)
61	0121G00070PDG	LOUVERED PANEL 4 BANK 32.5" (M4, M5)
61	0121G00090PDGS	LOUVERED PANEL 4 BANK 36" (M6)
71	0121G00072PDG	LOUVERED PANEL 5 BANK 27.5" (M1, M2, M3)
71	0121G00073PDGS	LOUVERED PANEL 5 BANK 32.5" (M4, M5)
71	0121G00091PDGS	LOUVERED PANEL 5 BANK 36" (M6)
81	0270G00017P	EVAP PANEL INSUL ASSY-27.5" (M1, M2, M3)
81	0270G00018P	EVAP PANEL INSUL ASSY-32.5" (M4, M5)
81	0270G00019P	EVAP PANEL INSUL ASSY-36" (M6)
91	B1392011	GROMMET / HS .62 - .45
101	0121G00062PDGS	COMPRESSOR PANEL 13.68" X 27.50" (M1, M2, M3)
101	0121G00060PDGS	COMPRESSOR PANEL 8.75" X 32.50" (M4, M5)
101	0121G00087PDGS	COMPRESSOR PANEL 8.75" X 36" (M6)
111	0121G00069PDGS	LOUVERED PANEL 4 BANK 27.5" (M1, M2, M3)
111	0121G00073PDGS	LOUVERED PANEL 5 BANK 32.5" (M4, M5)
111	0121G00091PDGS	LOUVERED PANEL 5 BANK 36" (M6)

Expanded Model Nomenclature

M1 - GPC1324H41AB
M2 - GPC1330H41AB
M3 - GPC1336H41AB
M4 - GPC1342H41AB
M5 - GPC1349H41AA
M6 - GPC1360H41BB

# Chassis Assembly

Image 1

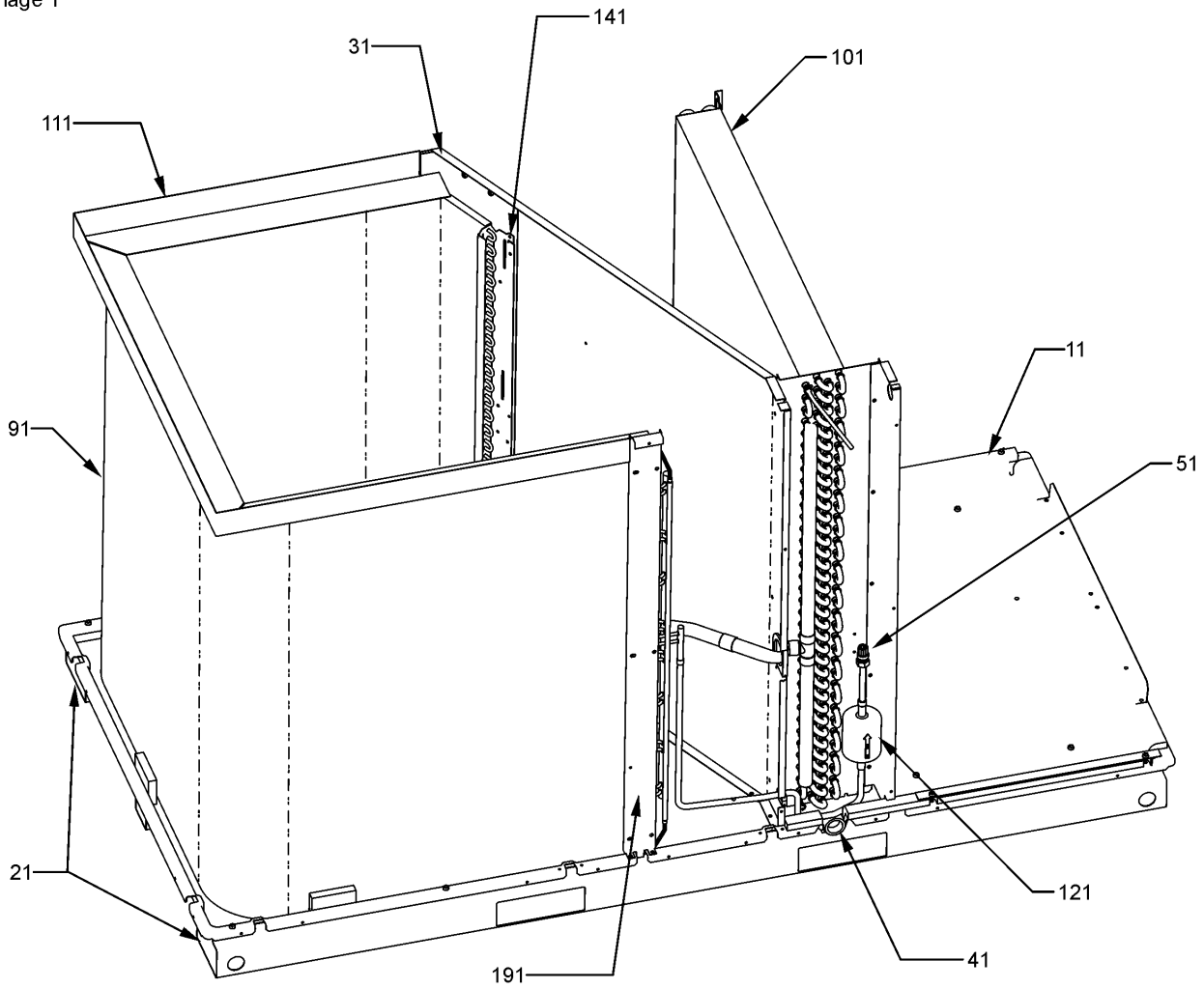
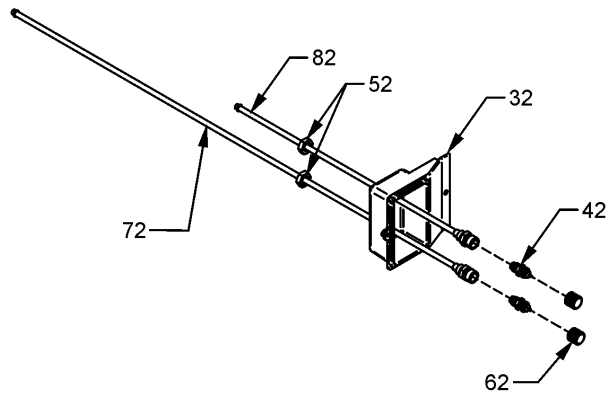


Image 2



# Chassis Assembly

Ref. Part No:	Ref. Part No:	Description:	Description:
---------------	---------------	--------------	--------------

*Image 1:*

11	0273G00001P	INSULATED ASSY, BASEPAN
21	0121G00044PRF	BASEPAN RAIL (QTY 2)
31	0270G00075	INSULATED ASSY, PARTITION PANEL 27.5" (M1, M2, M3)
31	0270G00076	INSULATED ASSY, PARTITION PANEL 32.5" (M4, M5)
31	0270G00077	INSULATED ASSY, PARTITION PANEL 36" (M6)
41	0270G00004PS	DRAIN PAN ASSY
51	0162M00111S	FLOWRATOR .057 (M1)
51	0162M00017PS	FLOWRATOR .062 (M2)
51	0162M00053	FLOWRATOR .068 (M3)
51	0162M00109S	FLOWRATOR .072 (M4)
51	0162M00147	FLOWRATOR .078 (M5)
51	0162M00095	FLOWRATOR .088 (M6)
91	0201G00182	TUBING ASSY, COND COIL (M1, M2)
91	0201G00183	TUBING ASSY, COND COIL (M3)
91	0201G00187	TUBING ASSY, COND COIL (M4, M5)
91	0201G00190	TUBING ASSY, COND COIL (M6)
101	0202G00281S	TUBING ASSY, EVAP COIL (M1)
101	0202G00306	TUBING ASSY, EVAP COIL (M4)
101	0202G00330	TUBING ASSY, EVAP COIL (M3)
101	0202G00331	TUBING ASSY, EVAP COIL (M6)
101	0202G00334	TUBING ASSY, EVAP COIL (M5)
101	0202G00335	TUBING ASSY, EVAP COIL (M2)
111	0121G00368	CONDENSER COIL BLOCKOFF (M1, M2, M3)
111	0121G00372	CONDENSER COIL BLOCKOFF (M4, M5, M6)
121	B1219212	SINGLE-FLOW FILTER DRIER, STEEL (M1, M2, M3)
121	B1219225	SINGLE-FLOW FILTER DRIER, STEEL (M4, M5, M6)
141	0121G00365	PARTITION EXTENSION PANEL (M6)
191	0121G00045P	POST 27.5" (M1, M2, M3)
191	0121G00079P	POST 32.5" (M4, M5)
191	0121G00083P	POST 36" (M6)
NS	0121G00043P	EVAP DRIP SHIELD

Expanded Model Nomenclature

M1 - GPC1324H41AB
M2 - GPC1330H41AB
M3 - GPC1336H41AB
M4 - GPC1342H41AB
M5 - GPC1349H41AA
M6 - GPC1360H41BB

*Image 2:*

32	0161G00001P	ACCESS FITTING BOX
42	B1373315	ACCESS FITTING (QTY 2)
52	0163G00000P	FASTEST FITTING NUT (QTY 2)
62	B9102097	CAP W/O-RING (QTY 2)
72	0210G00031P	PROCESS TUBE ASSY-SUCTION
82	0210G00030P	PROCESS TUBE ASSY-LIQUID

# Compressor and Top Panel Assembly

Image 1

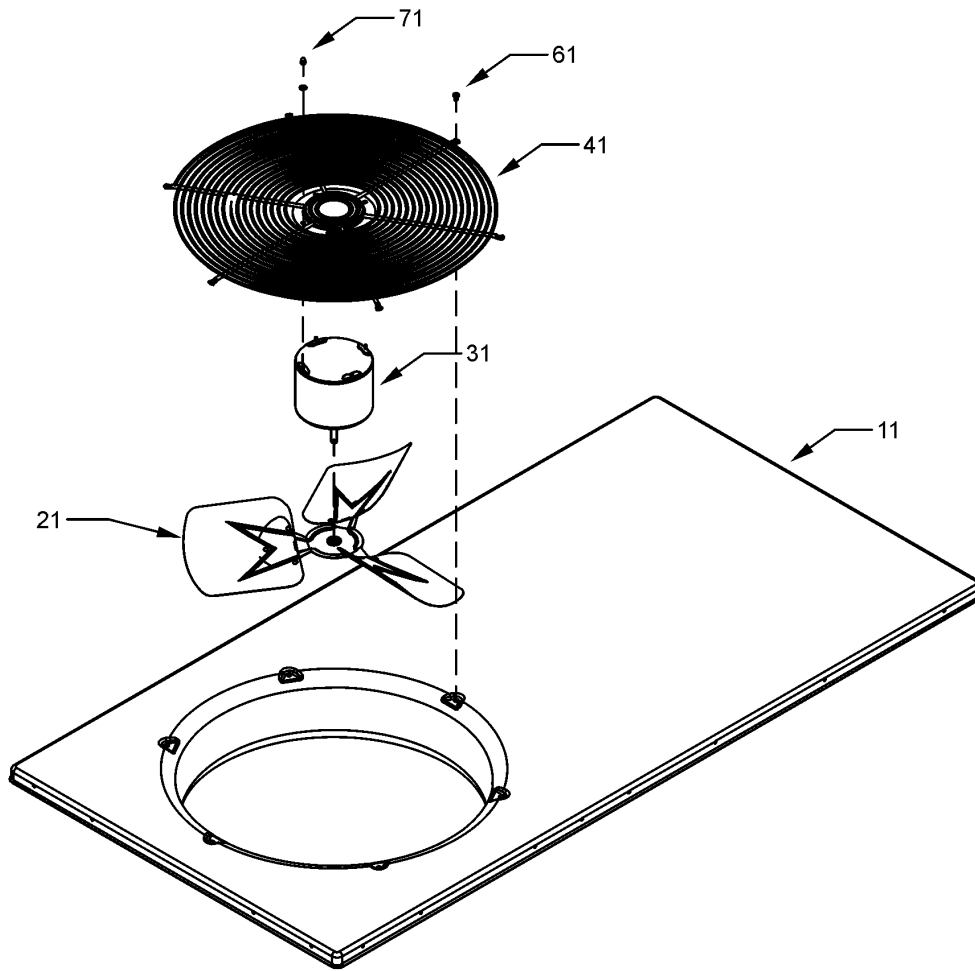
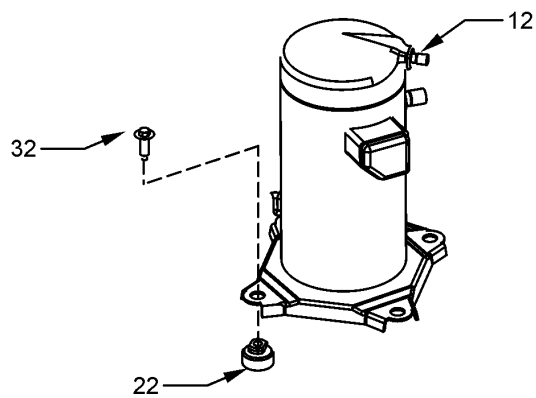


Image 2





# Compressor and Top Panel Assembly

Ref. Part No: No:	Description:	Ref. Part No: No:	Description:
-------------------	--------------	-------------------	--------------

*Image 1:*

11	0274G00037	INSULATED ASSY, TOP PANEL
21	0150G00004	FAN BLADE (M4, M5, M6)
21	0150G00005	FAN BLADE (M1, M2)
21	B1086765	FAN BLADE, TYPE 3 (M3)
31	0131M00007PS	COND MOTOR 1/4 HP, 1 SP, 6 PL (M4, M5, M6)
31	0131M00061S	COND MOTOR 1/4 HP, 1 SP, 8 PL (M3)
31	0131M00009P	COND MOTOR 1/6 HP, 1 SP, 8 PL (M1, M2)
41	0152G00002S	FAN GRILLE
61	M0221817	SMALL SCREW (QTY 6)
71	0163M00006P	ACORN NUT 5/16 HEX BLACK (QTY 4)
NS	0159G00004	COMPRESSOR SCROLL HARNESS
NS	17788000083F	PVC CONDUIT 8.25"

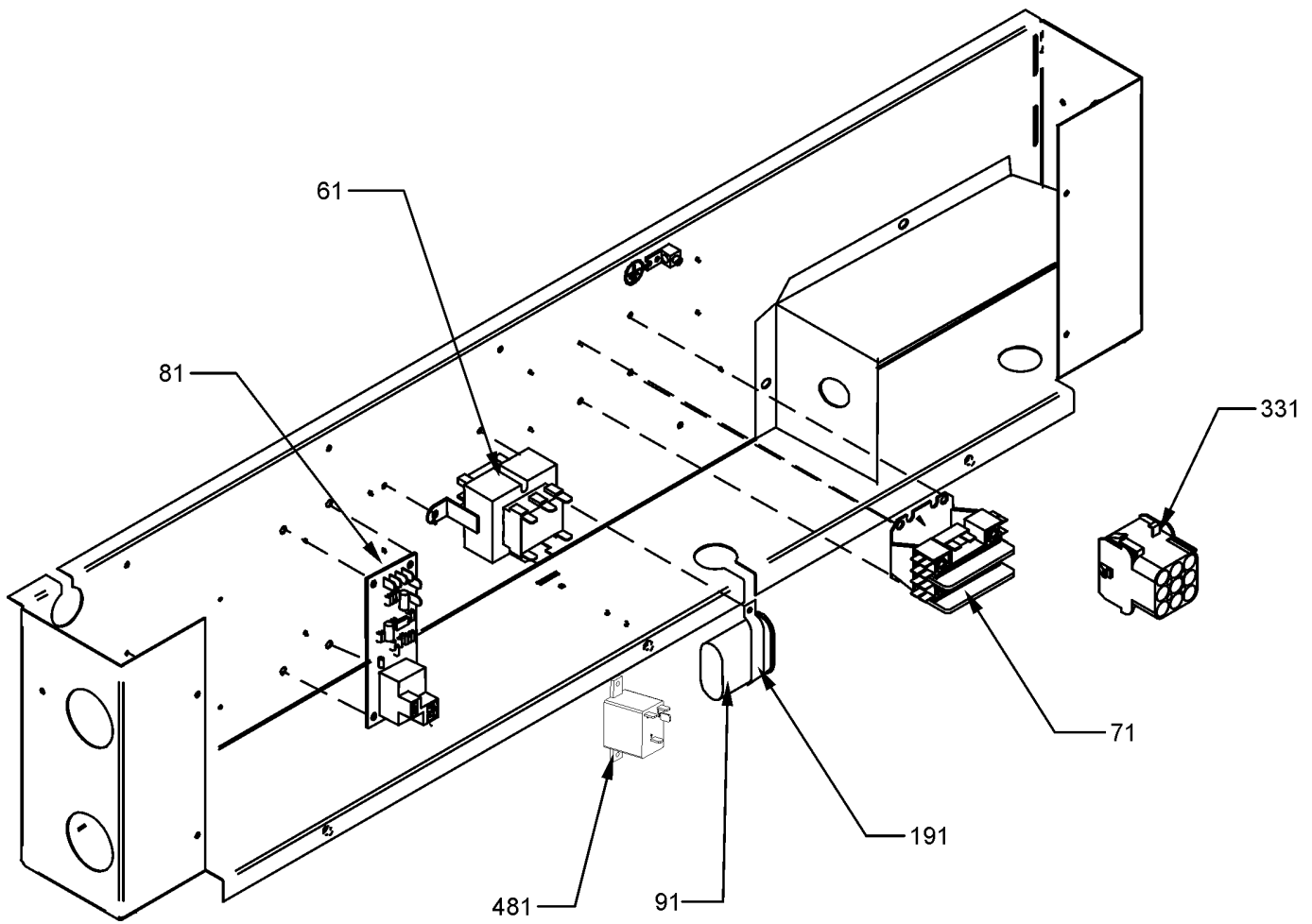
*Image 2:*

12	ZP20K5EPFV130	COMPRESSOR 20000, 208/230/60/1 (M1)
12	ZP24K5EPFV130	COMPRESSOR 24000, 208/230/60/1 (M2)
12	ZP31K5EPFV830	COMPRESSOR 31100, 208/230/60/1 (M3)
12	ZP34K5EPFV130	COMPRESSOR 34500, 208/230/60/1 (M4)
12	ZP39K5EPFV830	COMPRESSOR 39000, 208/230/60/1 (M5)
12	ZP51K5EPFV830	COMPRESSOR 51000, 208/230/60/1 (M6)
22	B1339530	COMPRESSOR GROMMET (M1, M2)
22	B1339533	COMPRESSOR GROMMET (M3, M4, M5, M6)
32	M0221641	TF SHOULDER SCREW (QTY 4)

Expanded Model Nomenclature

M1 - GPC1324H41AB
M2 - GPC1330H41AB
M3 - GPC1336H41AB
M4 - GPC1342H41AB
M5 - GPC1349H41AA
M6 - GPC1360H41BB

# Control Box Assembly



# Control Box Assembly

Ref. Part No:	Ref. Part No:	Description:	Description:
---------------	---------------	--------------	--------------

Image 1:

61	B1141643	TRANSFORMER 208/230, 24V
71	CONT1P025024VS	CONTACTOR 25 AMP, 1P, 24V (M1, M2, M3)
71	CONT1P030024VS	CONTACTOR 30 AMP, 1P, 24V (M4, M5)
71	CONT2P040024VS	CONTACTOR 40 AMP, 2P, 24V (M6)
81	PCBFM131	ELECTRONIC BLOWER TIME DELAY RELAY (M1, M2, M3, M4, M5)
91	CAP050350440RSS	CAPACITOR 5/35/440V (M1)
91	CAP050400440RT	CAPACITOR 5/40/440V (M2)
91	CAP050450440RT	CAPACITOR 5/45/440V (M3, M4, M5)
91	CAP050700440RTS	CAPACITOR 5/70/440V (M6)
191	20520901	CAPACITOR STRAP
331	0259G00004	WIRE HARNESS, ELECTRIC HEAT (M1, M2, M3, M4, M5)
331	0259G00021	WIRE HARNESS, ELECTRIC HEAT (M6)
481	0130M00014	240 VOLT RELAY (M1, M2, M3, M4, M5)

Expanded Model Nomenclature

M1 - GPC1324H41AB
M2 - GPC1330H41AB
M3 - GPC1336H41AB
M4 - GPC1342H41AB
M5 - GPC1349H41AA
M6 - GPC1360H41BB

# Blower Assembly

Image 1

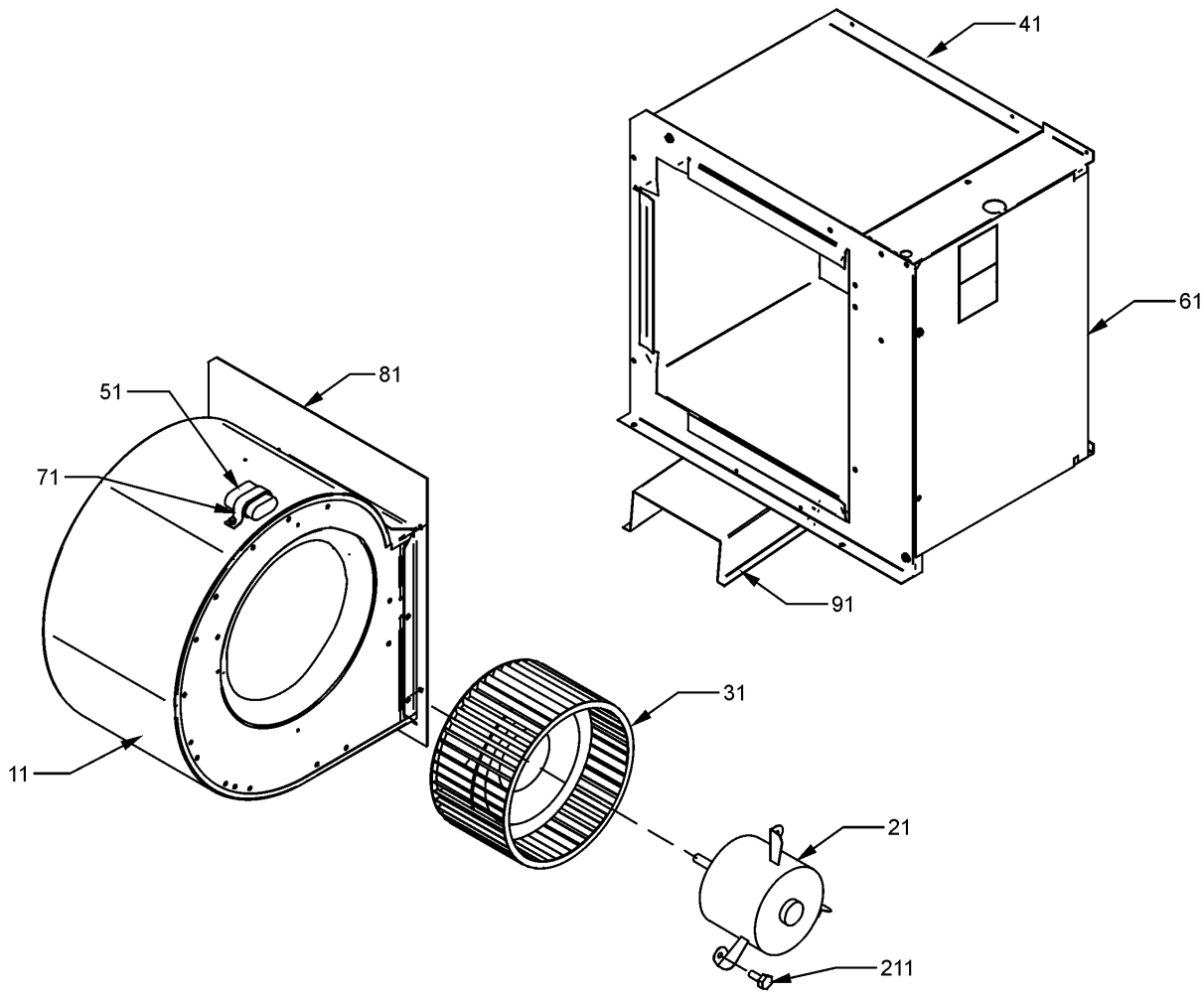
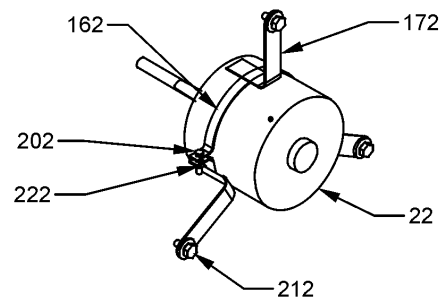


Image 2



# Blower Assembly

Ref. Part No:	Ref. Part No:	Description:	Description:
<i>Image 1:</i>			
11	10324248	BLOWER HOUSING 10 X 8 (M4, M5)	
11	0271G00017	BLOWER HOUSING 11 X 8 (M6)	
11	10324246	BLOWER HOUSING 9 X 6 (M1, M2)	
11	10324247	BLOWER HOUSING 9 X 8 (M3)	
21	11091202S	BLOWER MOTOR 1/3 HP, 3 SP, 6 PL (M2, M3)	
21	11091207S	BLOWER MOTOR 1/4 HP, 3 SP, 8 PL (M1)	
21	0131M00010P	BLOWER MOTOR, 1/2 HP, 3 SP, 8 PL (M4, M5)	
31	B1368016S	BLOWER WHEEL 10 X 8 (M4, M5)	
31	B1368054	BLOWER WHEEL 11 X 8 (M6)	
31	0150M00000S	BLOWER WHEEL 9 X 6 (M2)	
31	B1368042	BLOWER WHEEL 9 X 6 (M1)	
31	B1368036S	BLOWER WHEEL 9 X 8 (M3)	
41	0270G00023P	TRANSITION DUCT ASSY (M1)	
41	0270G00024P	TRANSITION DUCT ASSY (M2, M3)	
41	0270G00025P	TRANSITION DUCT ASSY (M4, M5, M6)	
51	CAP100000370VAS	CAPACITOR 10/370V [BLOWER] (M1, M2, M3)	
51	CAP150000370VAS	CAPACITOR 15/370V [BLOWER] (M4, M5)	
61	0121G00039PS	HEATER KIT COVER	
71	20520901	CAPACITOR STRAP (M1, M2, M3, M4, M5)	
81	0121G00128P	BLOWER MOUNT (M6)	
81	0121G00035P	BLOWER MOUNT 10 X 8 (M4, M5)	
81	0121G00033P	BLOWER MOUNT 9 X 6 (M1, M2)	
81	0121G00034P	BLOWER MOUNT 9 X 8 (M3)	
91	0121G00040P	BLOWER SUPPORT	
211	M0250558	TC SCREW (M1, M2, M3, M4, M5)	
NS	C6121802	BLOWER CUT-OFF (M1, M2)	
NS	C6121810	BLOWER CUT-OFF (M3, M4, M5)	
NS	2964700	BLOWER CUT-OFF 11 X 8 (M6)	
NS	B821700	CAPACITOR BOOT (M1, M2, M3, M4, M5)	
NS	B1392143	GROMMET, 26TAL F/TORSIN FLEX (M1, M3, M4, M5)	

*Image 2:*

22	0231K00042	BLOWER MOTOR 3/4 HP PROGRAMMED (M6)
162	0121M00038	MOTOR MOUNT BAND (M6)
172	B1376857	MOTOR MOUNT ARM (M6)
202	B1393323	MACHINE SCREW HWH 1/4-20 X 1-1/2 BZ (M6)
212	M0250565	TC SCREW 1.25" (M6)
222	B1393800	LOCKNUT, NYLON, INSERT 1/4, 20 (M6)

Expanded Model Nomenclature

M1 - GPC1324H41AB
M2 - GPC1330H41AB
M3 - GPC1336H41AB
M4 - GPC1342H41AB
M5 - GPC1349H41AA
M6 - GPC1360H41BB

**THIS PAGE INTENTIONALLY LEFT BLANK**