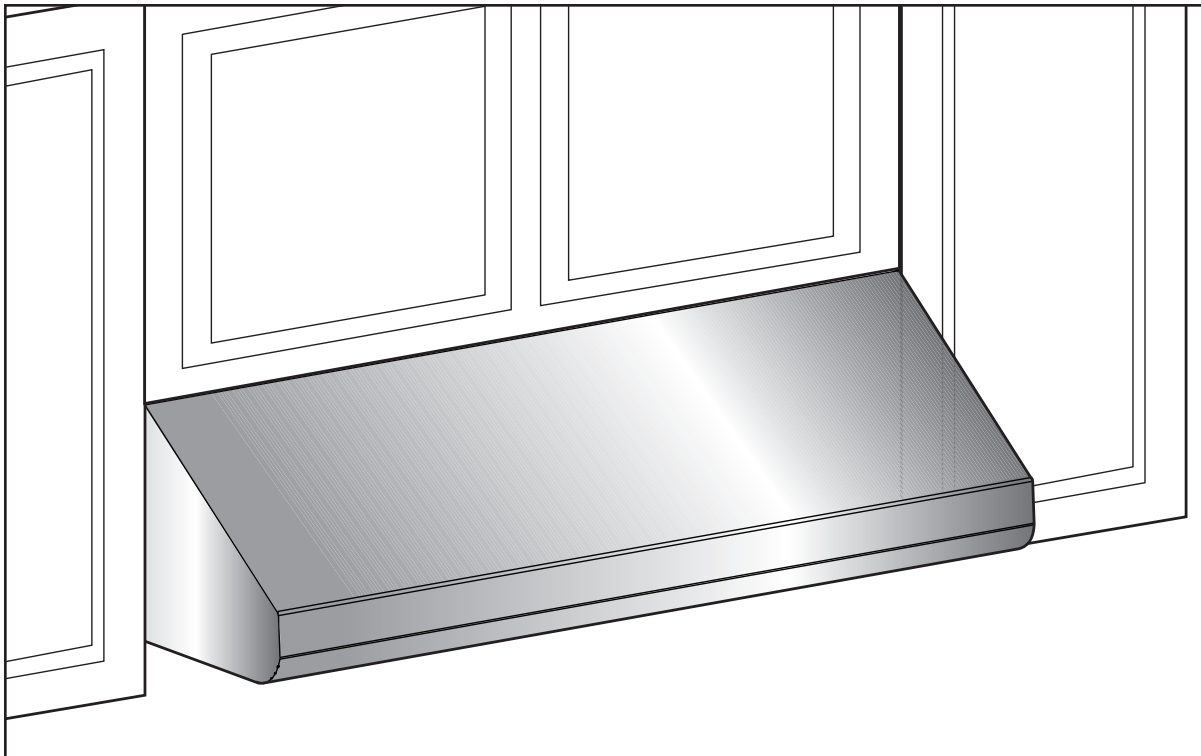


INSTALLATION INSTRUCTIONS

BROAN[®] *Elite*



E64000 SERIES

⚠ INTENDED FOR DOMESTIC COOKING ONLY ⚠

READ AND SAVE THESE INSTRUCTIONS

INSTALLER: LEAVE THIS MANUAL WITH HOMEOWNER.
HOMEOWNER: USE AND CARE INFORMATION ON PAGES 13 & 14.

Broan-NuTone LLC; Hartford, Wisconsin www.broan.com 800-558-1711

REGISTER YOUR PRODUCT ONLINE AT: www.broan.com/register

SV08341 rev. 12

⚠ WARNING

TO REDUCE THE RISK OF FIRE, ELECTRIC SHOCK OR INJURY TO PERSONS, OBSERVE THE FOLLOWING:

1. Use this unit only in the manner intended by the manufacturer. If you have questions, contact the manufacturer at the address or telephone number listed in the warranty.
2. Before servicing or cleaning unit, switch power off at service panel and lock service disconnecting means to prevent power from being switched on accidentally. When the service disconnecting means cannot be locked, securely fasten a prominent warning device, such as a tag, to the service panel.
3. Installation work and electrical wiring must be done by qualified personnel in accordance with all applicable codes and standards, including fire-rated construction codes and standards.
4. Sufficient air is needed for proper combustion and exhausting of gases through the flue (chimney) of fuel burning equipment to prevent backdrafting. Follow the heating equipment manufacturer's guidelines and safety standards such as those published by the National Fire Protection Association (NFPA) and the American Society for Heating, Refrigeration and Air Conditioning Engineers (ASHRAE) and the local code authorities.
5. When cutting or drilling into wall or ceiling, do not damage electrical wiring and other hidden utilities.
6. Ducted fans must always be vented to the outdoors.
7. Do not use this unit with any additional solid-state speed control device.
8. To reduce the risk of fire, use only metal ductwork.
9. This unit must be grounded.
10. When applicable local regulations comprise more restrictive installation and/or certification requirements, the aforementioned requirements prevail on those of this document and the installer agrees to conform to these at his own expenses.

TO REDUCE THE RISK OF A RANGE TOP GREASE FIRE:

- a) Never leave surface units unattended at high settings. Boilovers cause smoking and greasy spillovers that may ignite. Heat oils slowly on low or medium settings.
- b) Always turn hood ON when cooking at high heat or when flambeing food (i.e.: Crêpes Suzette, Cherries Jubilee, Peppercorn Beef Flambé).
- c) Clean ventilating fans frequently. Grease should not be allowed to accumulate on fan, filters or in exhaust ducts.
- d) Use proper pan size. Always use cookware appropriate for the size of the surface element.

⚠ WARNING

TO REDUCE THE RISK OF INJURY TO PERSONS IN THE EVENT OF A RANGE TOP GREASE FIRE, OBSERVE THE FOLLOWING*:

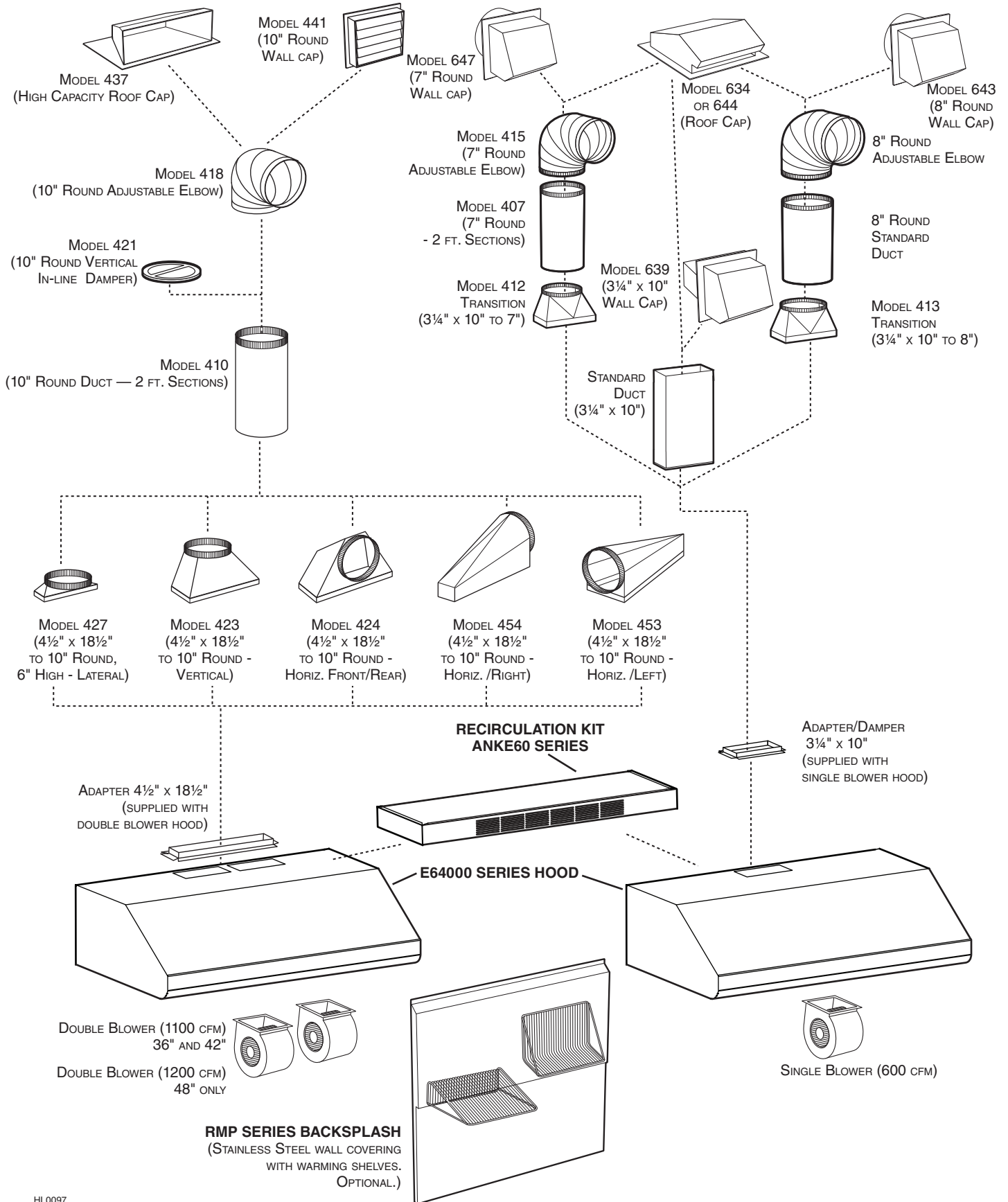
1. SMOTHER FLAMES with a close-fitting lid, cookie sheet or metal tray, then turn off the burner. BE CAREFUL TO PREVENT BURNS. IF THE FLAMES DO NOT GO OUT IMMEDIATELY, EVACUATE AND CALL THE FIRE DEPARTMENT.
2. NEVER PICK UP A FLAMING PAN — You may be burned.
3. DO NOT USE WATER, including wet dishcloths or towels — This could cause a violent steam explosion.
4. Use an extinguisher ONLY if:
 - A. You own a Class ABC extinguisher and you know how to operate it.
 - B. The fire is small and contained in the area where it started.
 - C. The fire department has been called.
 - D. You can fight the fire with your back to an exit.

* Based on "Kitchen Fire Safety Tips" published by NFPA.

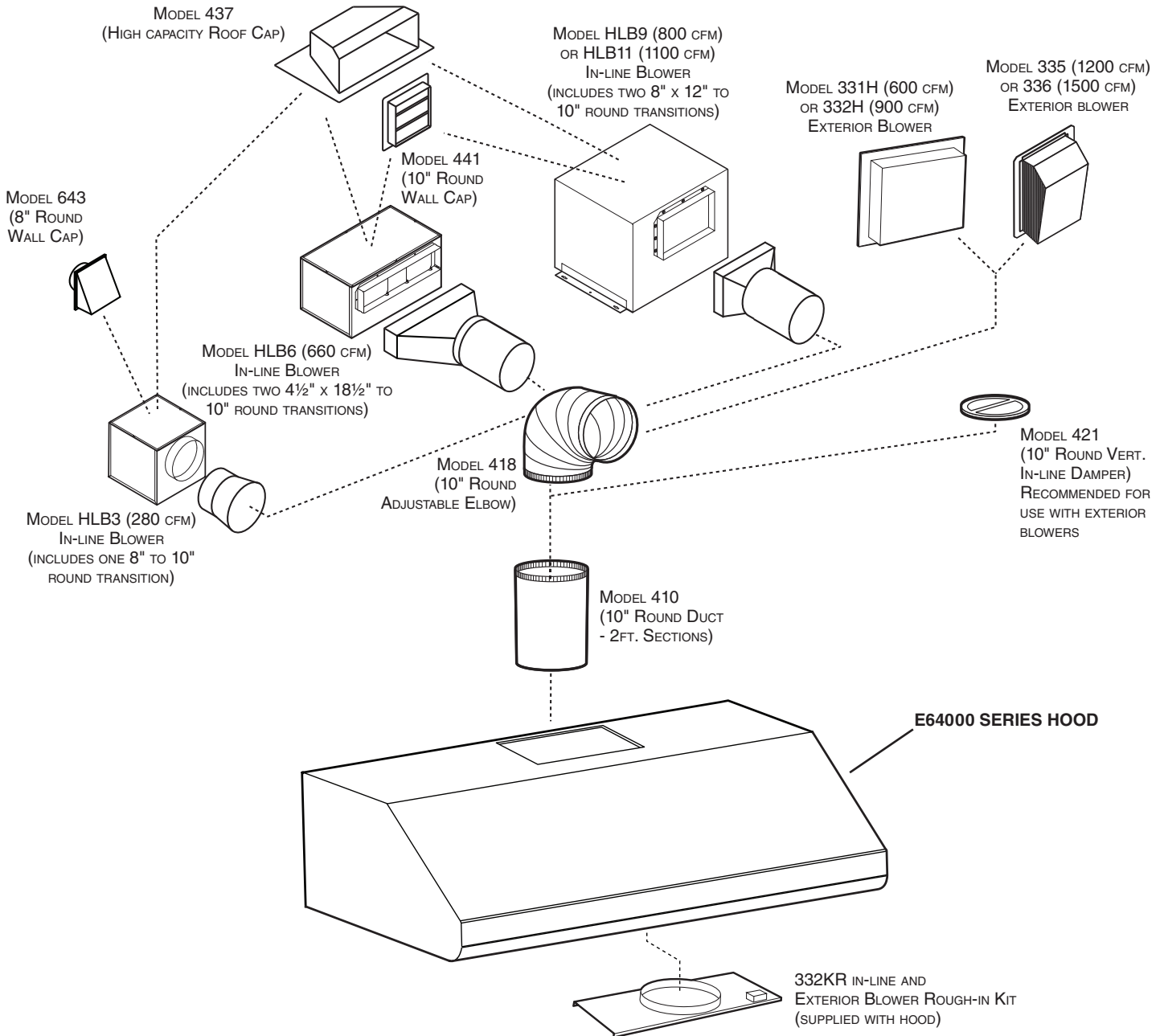
CAUTION

1. For indoor use only.
2. For general ventilating use only. Do not use to exhaust hazardous or explosive materials and vapors.
3. To avoid motor bearing damage and noisy and/or unbalanced impellers, keep drywall spray, construction dust, etc. off power unit.
4. Your hood motor has a thermal overload which will automatically shut off the motor if it becomes overheated. The motor will restart when it will be cooled down. If the motor continues to shut off and restart, have the hood serviced.
5. For best capture of cooking impurities, the bottom of the hood should be at a minimum of 24" and at a maximum of 30" above the cooking surface.
6. Two installers are recommended because of the large size and weight of this hood.
7. To reduce the risk of fire and to properly exhaust air, be sure to duct air outside — Do not exhaust air into spaces within walls or ceiling or into attics, crawl space or garage.
8. This product is equipped with a thermostat which may start blower automatically. To reduce the risk of injury and to prevent power from being switched on accidentally, switch power off at service panel and lock or tag service panel.
9. Because of the high exhausting capacity of this hood, you should make sure enough air is entering the house to replace exhausted air. Use an appropriate make-up air device or open a window close to or in the kitchen.
10. To reduce the risk of fire and electric shock, the Broan Elite E64E Series hood must be installed with one Broan exterior blower model 331H, 332H, 335 or 336; or one Broan in-line blower model HLB3, HLB6, HLB9 ou HLB11. Other blowers cannot be substituted. (Exterior or in-line blowers sold separately.)
11. Please read specification label on product for further information and requirements.
12. When used in recirculation mode, to reduce the risk of fire and shock, use only conversion kit model ANKE60.

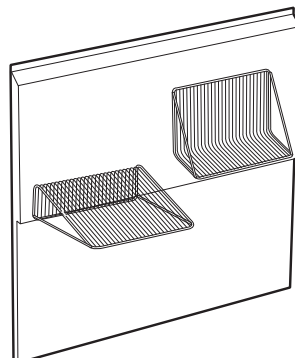
- E64000 SERIES RANGE HOOD SYSTEM - INTERNAL BLOWERS



- E64000 SERIES RANGE HOOD SYSTEM - IN-LINE AND EXTERIOR BLOWERS



RMP SERIES BACKSPLASH
(STAINLESS STEEL WALL COVERING
WITH WARMING SHELVES. OPTIONAL)



1. SELECT BLOWER OPTION AND INSTALLATION TYPE

1.1 NON-DUCTED INSTALLATION

For a non-ducted installation, a non-duct kit ANKE60 Series (sold separately) must be installed. For maximum effectiveness, we recommend installing this kit with a single (internal) blower hood. The kit fits hood from 30-inch width up to 48-inch width. See installation instructions included with the non-duct kit ANKE60 Series.

1.2 DUCTED INSTALLATION

The Broan Elite E64000 Series range hood includes many configurations: hoods with single or double internal blowers (included with the hoods), or hoods using external blowers, the Broan Elite E64000 Series must be installed with in-line blower models HLB3, HLB6, HLB9 or HLB11, or exterior blower model 331H, 332H, 335 or 336 only. Other blowers cannot be substituted. (Blowers sold separately).

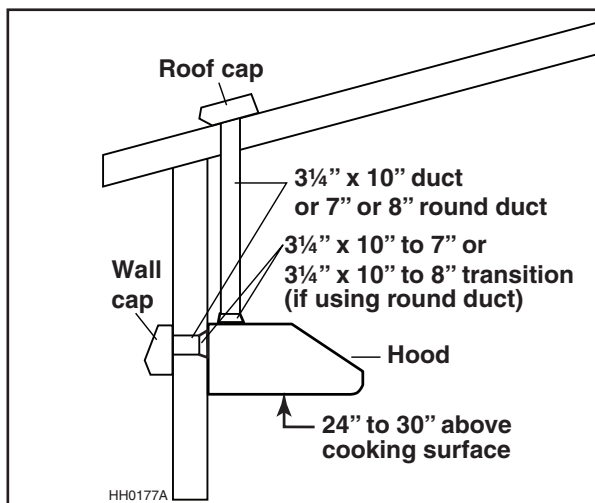
Plan where and how the ductwork will be installed.

If installing in-line blower, refer to instructions packed with in-line blower and follow steps 1, 2, 3, 4, 10 and up of this manual.

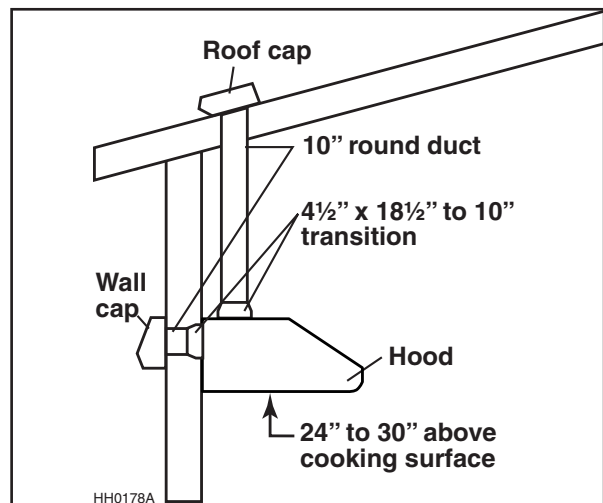
Install proper-sized ductwork, elbows and roof or wall cap for the type of blower you are installing. If using 7", 8" or 10" round ducts, use a transition (internal blower(s) only). Use 2" metal foil duct tape to seal duct joints.

The hood distance above cooktop must not be less than 24". A maximum of 30" above cooktop is highly recommended for best capture of cooking impurities.

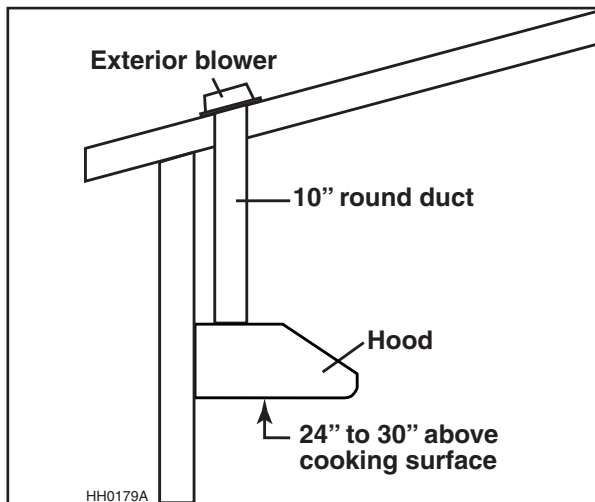
Distances over 30" are at the installer and users discretion.



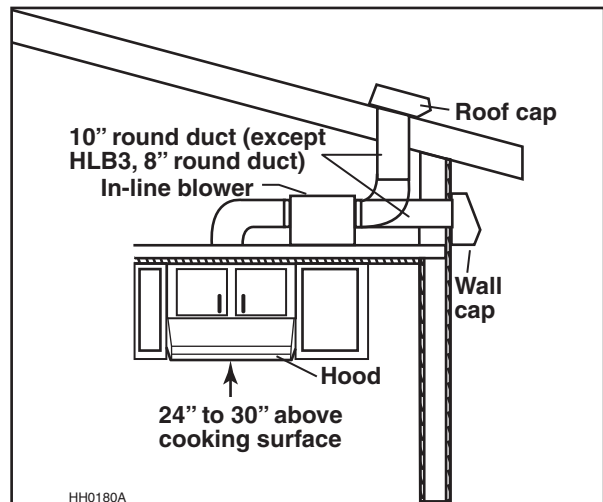
**SINGLE INTERNAL BLOWER
TYPICAL DUCTWORK**



**DOUBLE INTERNAL BLOWERS
TYPICAL DUCTWORK**



**MODEL 331H, 332H, 335 OR 336
EXTERIOR BLOWER TYPICAL DUCTWORK**



**MODEL HLB3, HLB6, HLB9 OR HLB11
IN-LINE BLOWER TYPICAL DUCTWORK**

2. PREPARE THE INSTALLATION

⚠ WARNING

When performing installation, servicing or cleaning the unit, it is recommended to wear safety glasses and gloves.

NOTE: Before proceeding to the installation, check the contents of the box. If items are missing or damaged, contact the manufacturer.

Make sure that the following items are included:

- Range hood
- Accessories:
 - Baffle filters with handles
 - 3¼" x 10" adapter/damper (located inside internal single blower hood)
 - 4½" x 18½" adapter (screwed inside internal double blower hood)
 - In-line and exterior blower rough-in plate model 332KR (mounted inside all external blower hoods)
 - Bag of parts including:
 - 1 wire clamp, 9 no. 8 x 1/2", 2 wire connectors, 8 no. 8-32 x 1/4" screws, 4 no. 8 x 3/8" screws

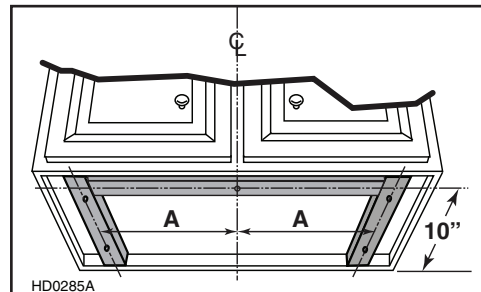
Parts sold separately:

- In-line blower assembly HLB3, HLB6, HLB9 or HLB11 (all include transition)
- Exterior blower assembly 331H, 332H, 335 or 336
- Shielded halogen bulbs (120 V, 50 W max., GU-10) (2 required for 30" and 36" hood widths, 3 required for 42" and 48" hood widths)
- RMP Series Backsplash (optional)
- ANKE60 Series Recirculation kit, mandatory for non-ducted installation (models with built-in blower(s) only)
- Transitions, duct, elbows, dampers, wall or roof cap

Refer to pages 3 and 4 for a complete list of venting options and model numbers.

- NOTES:
1. For cabinets with recessed bottom, attach three wood filler strips cut to length (not included), on each side, as shown below. See illustration and table below for wood filler strips location.
 2. For hoods with external or in-line blowers, do not install the transverse wood filler strip.

HOOD WIDTHS	CENTER OF WOOD STRIP LOCATION (A)
30"	13 3/8"
36"	16 3/8"
42"	19 3/8"
48"	22 3/8"



2. PREPARE THE INSTALLATION (CONT'D)

DUCTED INSTALLATIONS ONLY

Cut-out the openings for duct (A) and power cable (B), in cabinet or wall, according to the direction of discharge chosen. See figures below.

NOTE: For all internal blower hoods, the cut-out opening for house wiring can be made in cabinet bottom OR wall, no matter the discharge chosen (vertical or horizontal).

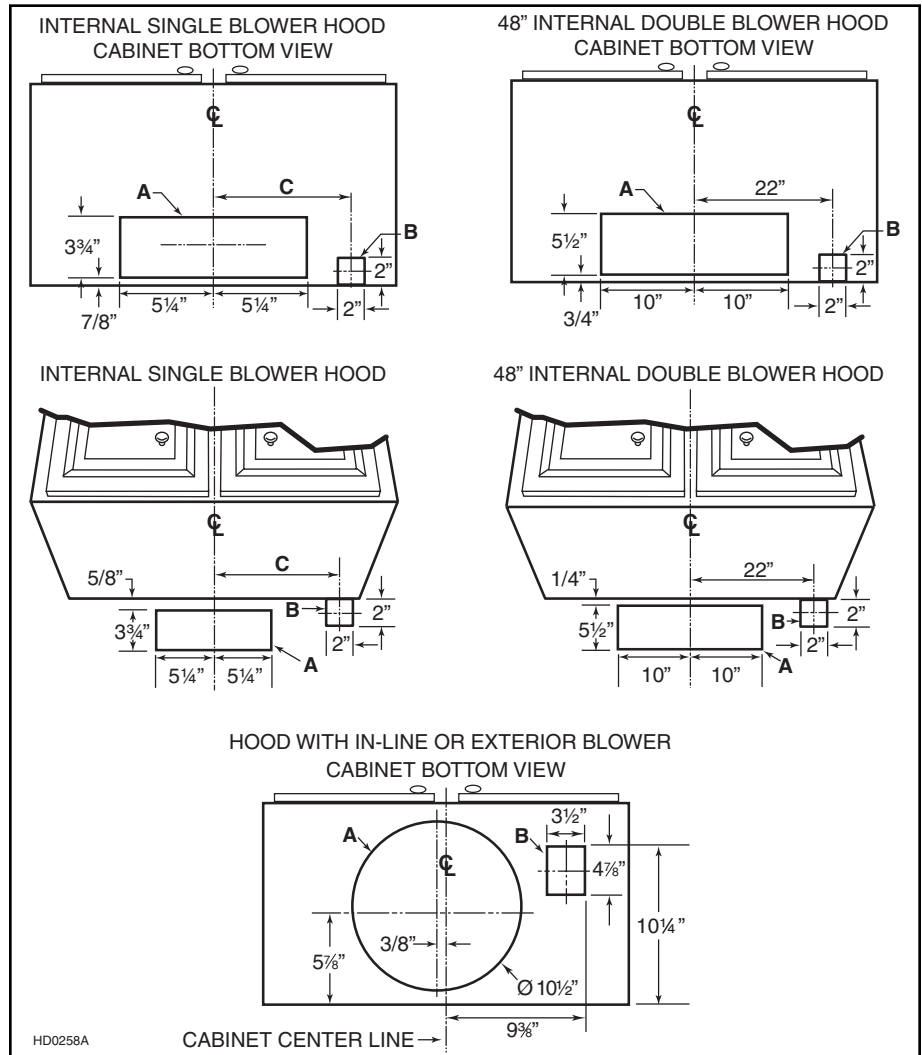
VERTICAL DISCHARGE

HOOD WIDTHS	DIMENSION C
30"	13"
36"	16"
42"	19"
48"	22"

HORIZONTAL DISCHARGE

HOOD WIDTHS	DIMENSION C
30"	13"
36"	16"
42"	19"
48"	22"

VERTICAL DISCHARGE ONLY

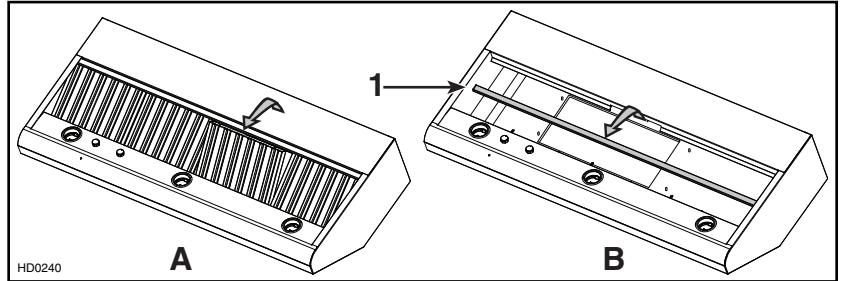


3. INSTALL BACKSPASH (OPTIONAL)

Backsplash must be installed before the hood shell because the hood shell covers the backsplash top mounting screws. In order to be able to install the backsplash, make sure you have at least 18" clearance between bottom of hood and range control panel or cooktop. (See instructions packed with backsplash.)

4. REMOVE THE FILTERS AND THE GREASE DRIP RAIL

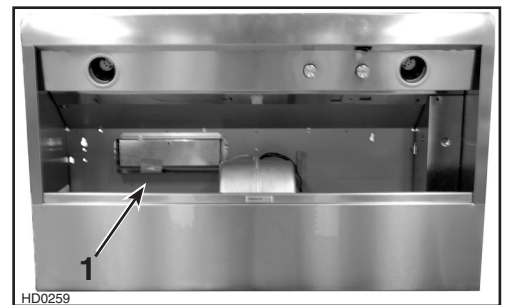
- A.** Remove tape on filters.
Remove filters from hood and set aside.
- NOTE: It is recommended to start with the center one(s).
- B.** Remove tape on grease drip rail (1).
Lift out grease drip rail and set aside.



5. REMOVE THE ADAPTER (INTERNAL BLOWER HOODS ONLY)

SINGLE BLOWER HOOD

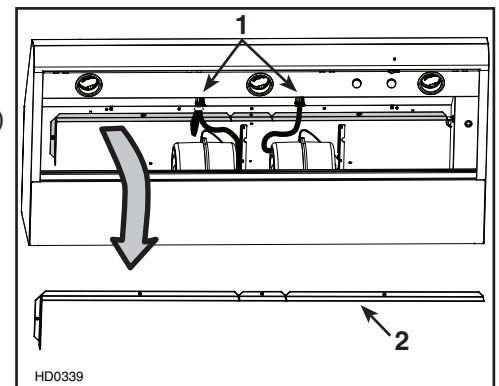
Remove both screws retaining the adapter/damper (1) from inner top of the hood.



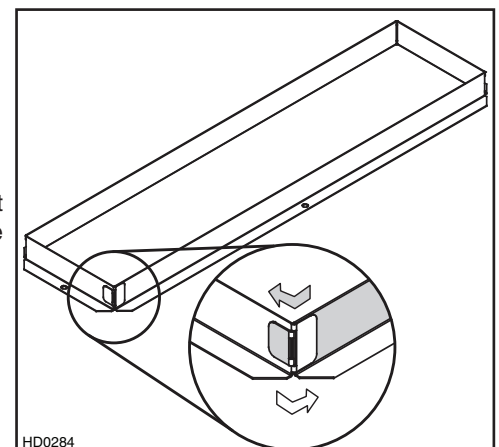
DOUBLE BLOWER HOOD

First unplug both blower motors (1) before removing the 3 screws retaining the adapter (2) to the inner top of the hood.

NOTE: The double blower hood adapter is sent unfold. See at right.



Fold the adapter and insert the male part (grey section shown in inset) into the female part (white section shown in the inset). Then, fold over each male and female end to finalize assembling the adapter.



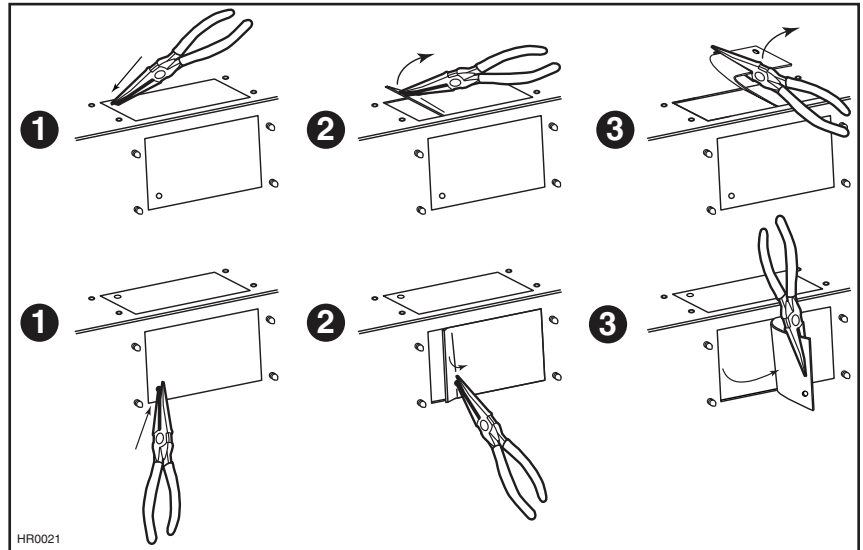
6. CHOSE THE OPENING(S) (INTERNAL BLOWER HOODS ONLY)

Remove the knockout for the chosen opening(s) (horizontal at the back of the hood or vertical on top). See illustrations below.

VERTICAL DISCHARGE

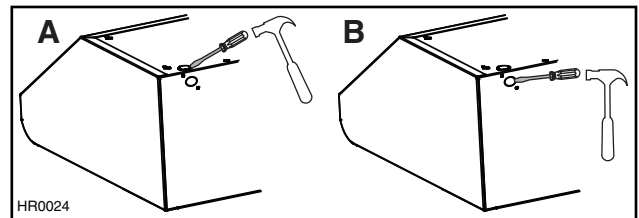
HORIZONTAL DISCHARGE

NOTE: For ducted installation only.



Punch out the appropriate electrical knockout hole on top (A) or back (B) of the hood. Install the wire clamp (included in parts bag).

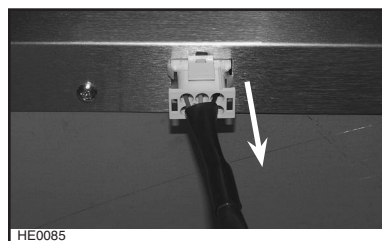
NOTE: For a non-ducted installation, punch out the back electrical knock-out (B).



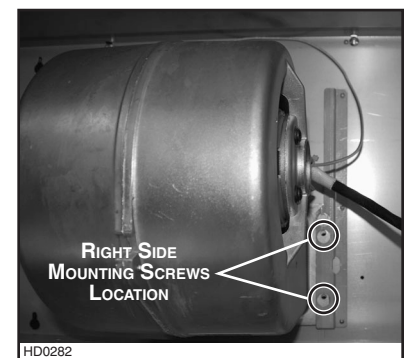
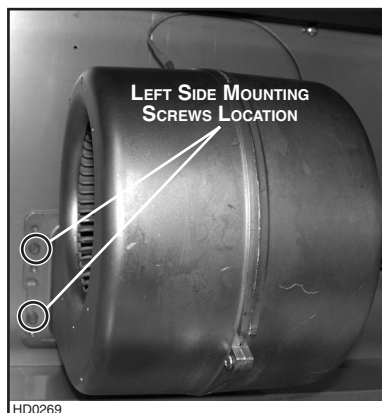
7. HORIZONTAL DISCHARGE INSTALLATION (INTERNAL BLOWER(S) ONLY)

All internal blower hoods are factory shipped with the blower(s) mounted for a vertical discharge configuration. For a horizontal discharge configuration, disassemble the blower(s) from the inner top of the hood and mount it (them) to the back panel of the hood. The procedure below applies for one or two motors.

Unplug the blower.

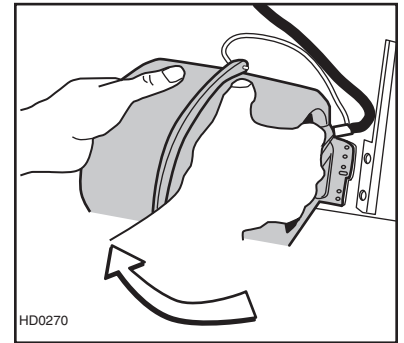


Using a 5/16" socket, remove all blower mounting screws from the inner top of the hood. Keep the screws for further use.

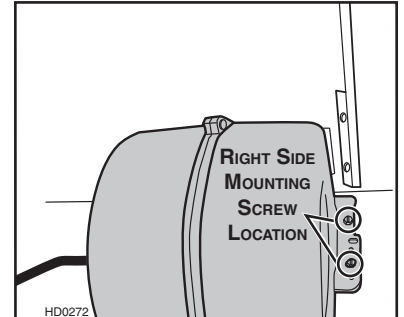
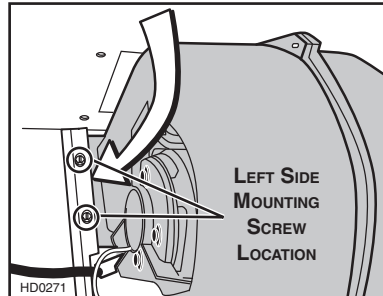


7. HORIZONTAL DISCHARGE INSTALLATION (INTERNAL BLOWER(S) ONLY) (CONT'D)

Slide the blower to disengage its flange from the retaining bracket.

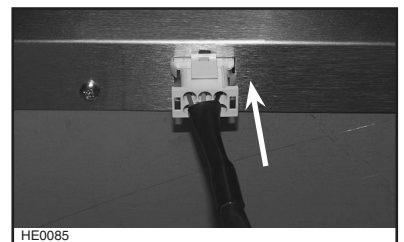


Flip the blower and engage its flange in the back wall retaining bracket.
Using a 5/16" socket and the screws previously removed, secure the blower to the hood.



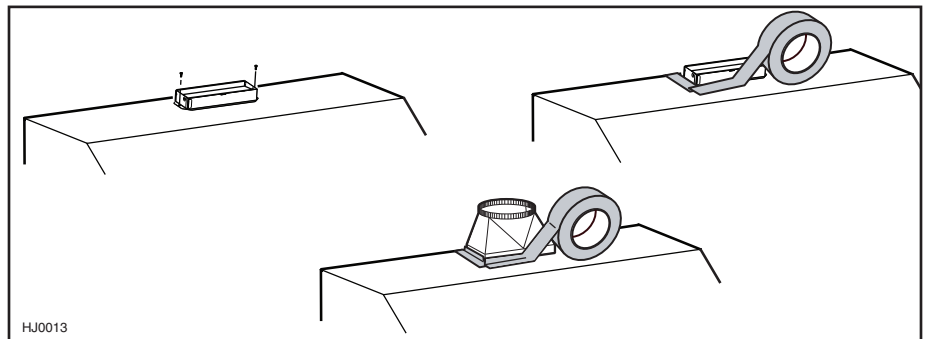
Plug the blower in.

NOTE FOR DUAL BLOWER HOOD ONLY: Cut off the plastic tie wrap on left motor cable.



8. INSTALL THE ADAPTER AND THE TRANSITION (IF NEED BE) (INTERNAL BLOWER HOOD ONLY)

Using standard 3/8" screws provided, secure the adapter to the top (or back) of the hood (2 screws for a 3 1/4" x 10" adapter/damper and 4 screws for a 4 1/2" x 18 1/2" adapter). Seal the adapter to the hood using metal foil duct tape. For round ducting, install an appropriate sized transition and seal the joints with metal foil duct tape.

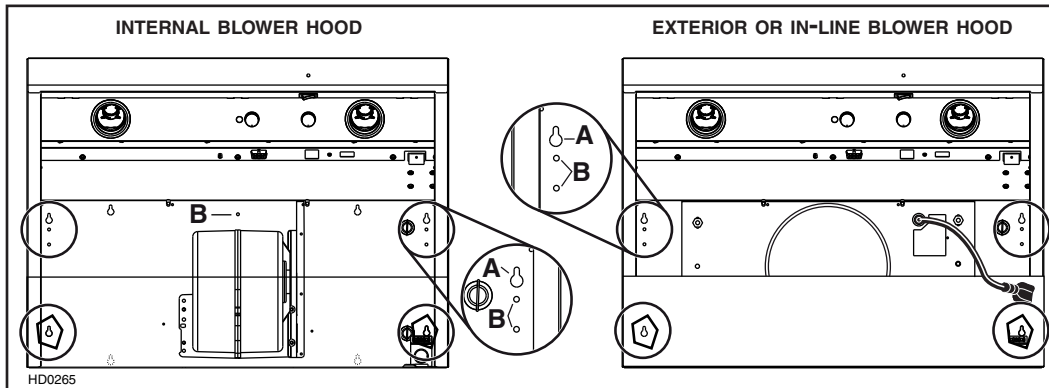


9. INSTALL ANKE60 RECIRCULATION KIT (NON DUCTED INSTALLATION ONLY)

Refer to the installation sheet included with the recirculation kit for details.

10. INSTALL THE HOOD (ALL BLOWERS)

INTERNAL BLOWER: Run power cable to installation location. Place the hood in its location. Mark the position of the screws (smaller part of the key holes [A]) with a pen. Remove the hood and install the (4) 1/2" double thread screws at marked positions, leaving a 1/8" gap. Remove wiring cover. Insert the cable in the hood through the wire clamp and tighten the wire clamp to secure the cable. Place the hood under the cabinet and slide it into position. Make sure the adapter (or the transition) enters the ducting. Secure the hood by tightening the screws completely. Install the last 1/2" double thread screws in the remaining holes [B].



EXTERIOR OR IN-LINE BLOWER: Run power cable to installation location. Place the hood in its location. Mark the position of the screws (smaller part of the key holes [A]) with a pen. Remove the hood and install the (4) 1/2" double thread screws at marked positions, leaving a 1/8" gap. Remove wiring cover on top of the hood, punch-out the electrical knock-out and install the wire clamp. Insert the cable in the hood through the wire clamp and tighten the wire clamp to secure the cable. Connect wiring (see instructions included with exterior or in-line blower). Place the hood under the cabinet and slide it in position. Secure the hood by tightening the screws completely. Install the last 1/2" double thread screws in the remaining holes [B].

11. CONNECT WIRING (ALL BLOWERS)

⚠ WARNING

Risk of electric shock. Electrical wiring must be done by qualified personnel in accordance with all applicable codes and standards. Before connecting wires, switch power off at service panel and lock service disconnecting means to prevent power to be switched on accidentally.

Remove wiring cover from rough-in plate or electrical compartment and set aside.

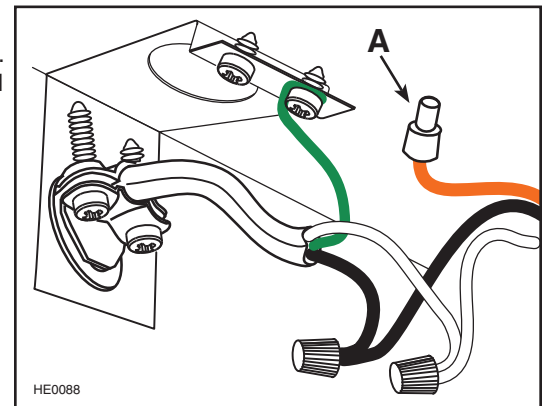
INTERNAL BLOWERS: Connect cable into wiring box using wire connectors. Connect BLACK to BLACK, WHITE to WHITE and GREEN or bare wire under GREEN ground screw.

CAUTION

The ORANGE wire (A) is for make-up air device connection only. If there is no make-up air device, never remove the cap on the ORANGE wire end.

Reinstall wiring cover.

IN-LINE OR EXTERIOR BLOWERS: See instructions included with blower.

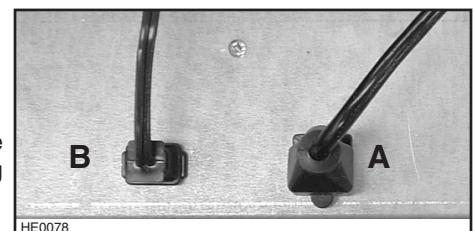


12. INSTALL THE BLOWER (EXTERIOR OR IN-LINE BLOWER)

⚠ WARNING

Do not plug the 2 cords together.

Plug the 3-prong plug cord from rough-in plate to the 3-prong male connector inside the hood (A) and the 2-prong male connector cord from rough-in plate to the 2-prong plug inside the hood (B).



13. INSTALL LIGHT BULBS

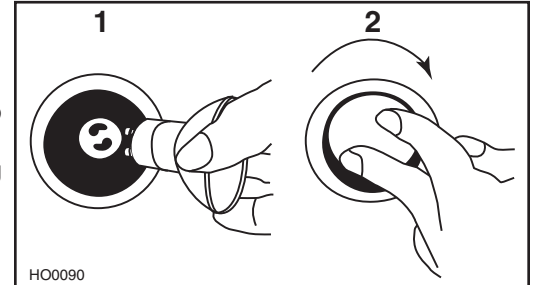
This hood requires 120 V, 50 W max., MR16 with GU10 base or PAR16 with GU10 base, shielded halogen lamps (not included). (2 required for 30" and 36" hood widths, 3 required for 42" and 48" hood widths.)

⚠ WARNING

Do not touch lamps during or soon after operation. Burns may occur. In order to prevent the risk of personal injury, only install shielded halogen lamps. Also, never install a cool beam, a dichroic lamp, a lamp not suitable for use in recessed luminaires or identified for use in enclosed fixtures.

1. Install lamps by placing the bulb leads into their grooves in the socket.
 2. Gently push upwards and turn clockwise until secure.
- To remove lamps, gently push upwards and turn counterclockwise to disengage bulb leads from their grooves.

NOTE: If need be, use a rubber dishwashing glove to add grip when removing the bulb.

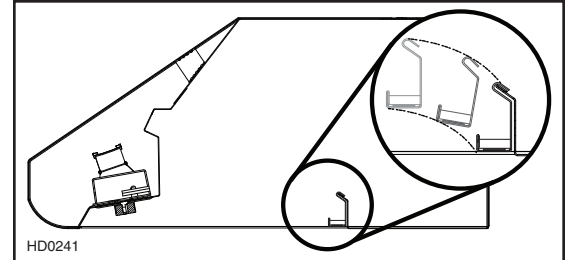


14. REINSTALL GREASE DRIP RAIL AND BAFFLE FILTERS

CAUTION

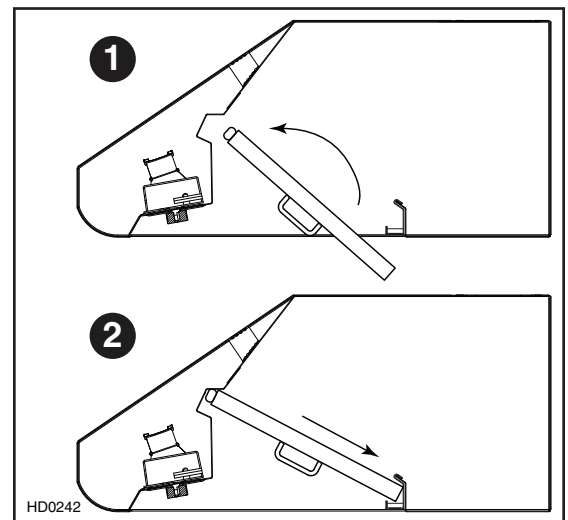
Remove protective plastic film covering filters before installing them.

Reinstall grease drip rail. The illustration at right shows how to reinsert the grease drip rail into the range hood.



It is recommended to install side filters first and finish with center one(s).

1. Insert one end of the filter into the upper channel of the hood.
2. Raise the other end towards the inside of hood and insert in the grease drip rail of the hood.



15. USE AND CARE

Baffle Filters

The baffle filters should be cleaned frequently. Use a warm detergent solution. Wash more often if your cooking style generates greater grease—like frying foods or wok cooking.

Remove baffle filters by pushing them towards the back of hood and rotating filters downward. Baffle filters are dishwasher safe. Allow filters to dry completely before reinstalling them in the hood.

Clean all-metal filters in the dishwasher using a non-phosphate detergent. Discoloration of the filter may occur if using phosphate detergent or as a result of local water conditions—but this will not affect filter performance. This discoloration is not covered by the warranty.

Grease Drip Rail

The grease drip rail should be cleaned frequently. Lift it out from the hood and use a warm detergent solution. As for the baffle filters, wash more often if your cooking style generates greater grease—like frying foods or wok cooking. Allow grease drip rail to dry completely before reinstalling it in the hood.

Blower(s) Cleaning (Internal)

Remove the filters in order to access the blower(s). Vacuum blower(s) to clean. Do not immerse in water.

Hood Cleaning

Stainless steel cleaning:

Do:	Don't:
<ul style="list-style-type: none">• Regularly wash with clean cloth or rag soaked with warm water and mild soap or liquid dish detergent.• Always clean in the direction of original polish lines.• Always rinse well with clear water (2 or 3 times) after cleaning. Wipe dry completely.• You may also use a specialized household stainless steel cleaner.	<ul style="list-style-type: none">• Use any steel or stainless steel wool or any other scrapers to remove stubborn dirt.• Use any harsh or abrasive cleansers.• Allow dirt to accumulate.• Let plaster dust or any other construction residues reach the power pack. During construction/renovation, cover the power pack to make sure no dust sticks to stainless steel surface.

Avoid when choosing a detergent:

- Any cleaners that contain **bleach** will attack stainless steel.
- Any products containing: **chloride, fluoride, iodide, bromide** will deteriorate surfaces rapidly.
- Any combustible products used for cleaning such as **acetone, alcohol, ether, benzol**, etc., are highly explosive and should never be used close to a range.

16. OPERATION

Always turn your hood on before you begin cooking to establish an air flow in the kitchen. Let the blower run for a few minutes to clear the air after you turn off the range. This will help keep the whole kitchen cleaner and brighter.

HEAT SENTRY™

This hood is equipped with a Heat Sentry™ thermostat. This thermostat is a device that will turn on or speed up the blower if it senses excessive heat above the cooking surface.

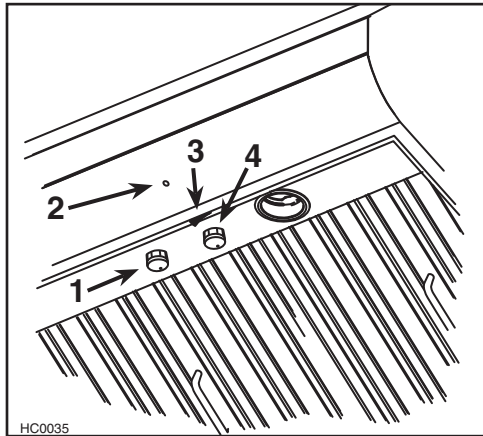
- 1) If blower is OFF - it turns blower ON to HIGH speed.
- 2) If blower is ON at a lower speed setting – it turns the blower up to HIGH speed.

⚠WARNING

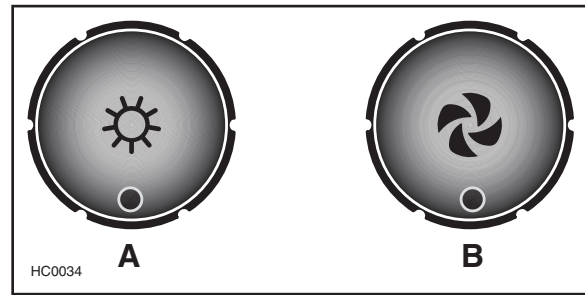
The HEAT SENTRY can start the blower during a range top fire or other excessive heat situations even if the hood is turned off. In this case, it is impossible to turn the blower OFF with blower switch. If you must stop the blower, do it from the main electrical panel.

When the temperature level drops to normal, the blower will return to its original setting.

16. OPERATION (CONT'D)



- 1) Halogen light knob
- 2) Blower operation indicator
- 3) ON/OFF blower switch
- 4) Blower speed control knob



- A) Halogen light knob
- B) Blower speed control knob

COOKTOP LIGHTING (HALOGEN)

A rotary 3-position knob (1) controls the halogen lights (OFF - low intensity - high intensity).

BLOWER

The blower is operated using two controls.

Use the on/off rocker switch (3) to start and stop the blower. When turned on, the blower indicator (2) turns on and the blower operates at the previous setting of the speed control (4).

Turn the speed control knob clockwise to increase blower speed – counterclockwise to decrease speed.

17. WARRANTY

ONE YEAR LIMITED WARRANTY FOR BROAN ELITE PRODUCTS

Broan-NuTone LLC (Broan-NuTone) warrants to the original consumer purchaser of Broan Elite products that such products will be free from defects in materials or workmanship for a period of one year from the date of original purchase. THERE ARE NO OTHER WARRANTIES, EXPRESS OR IMPLIED, INCLUDING, BUT NOT LIMITED TO, IMPLIED WARRANTIES OR MERCHANTABILITY OR FITNESS FOR A PARTICULAR PURPOSE.

During this one-year period, Broan-NuTone will, at its option, repair or replace, without charge, any product or part which is found to be defective under normal use and service.

THIS WARRANTY DOES NOT EXTEND TO FLUORESCENT LAMP STARTERS, TUBES, HALOGEN AND INCANDESCENT BULBS, FUSE, FILTERS, DUCTS, ROOF CAPS, WALL CAPS AND OTHER ACCESSORIES FOR DUCTING. This warranty does not cover (a) normal maintenance and service or (b) any products or parts which have been subject to misuse, negligence, accident, improper maintenance or repair (other than by Broan-NuTone), faulty installation or installation contrary to recommended installation instructions.

The duration of any implied warranty is limited to the one-year period as specified for the express warranty. Some States do not allow limitation on how long an implied warranty lasts, so the above limitation may not apply to you.

BROAN-NUTONE'S OBLIGATION TO REPAIR OR REPLACE, AT BROAN-NUTONE'S OPTION, SHALL BE THE PURCHASER'S SOLE AND EXCLUSIVE REMEDY UNDER THIS WARRANTY. BROAN-NUTONE SHALL NOT BE LIABLE FOR INCIDENTAL, CONSEQUENTIAL OR SPECIAL DAMAGES ARISING OUT OF OR IN CONNECTION WITH PRODUCT USE OR PERFORMANCE. Some States do not allow the exclusion or limitation of incidental or consequential damages, so the above limitation or exclusion may not apply to you.

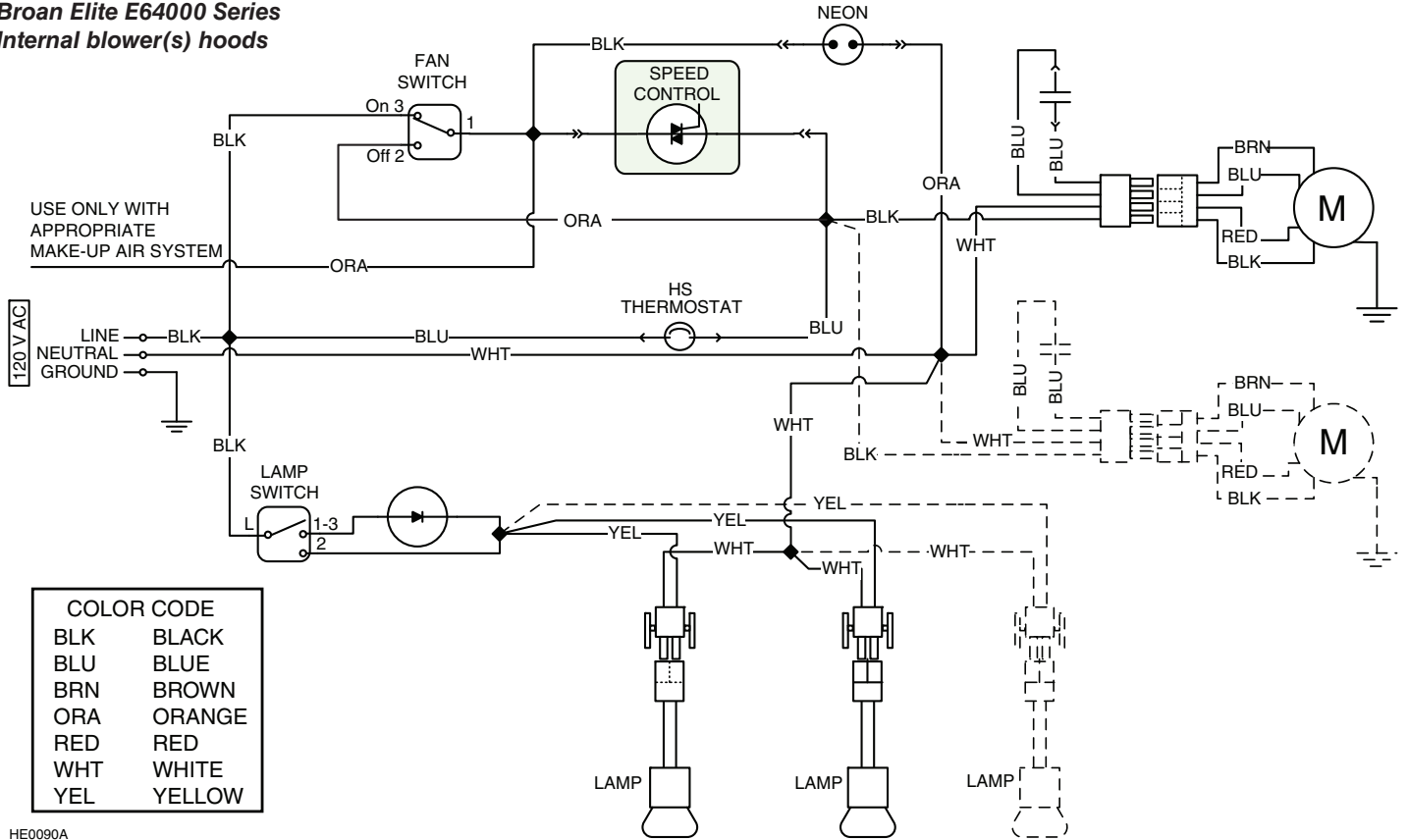
This warranty gives you specific legal rights, and you may also have other rights, which vary from State to State. This warranty supersedes all prior warranties.

To qualify for warranty service, you must (a) notify Broan-NuTone at one of the addresses or telephone number stated below, (b) give the model number and part identification and (c) describe the nature of any defect in the product or part. At the time of requesting warranty service, you must present evidence of the original purchase date.

Broan-NuTone LLC; 926 W. State Street, Hartford, Wisconsin 53027 www.broan.com 800-558-1711

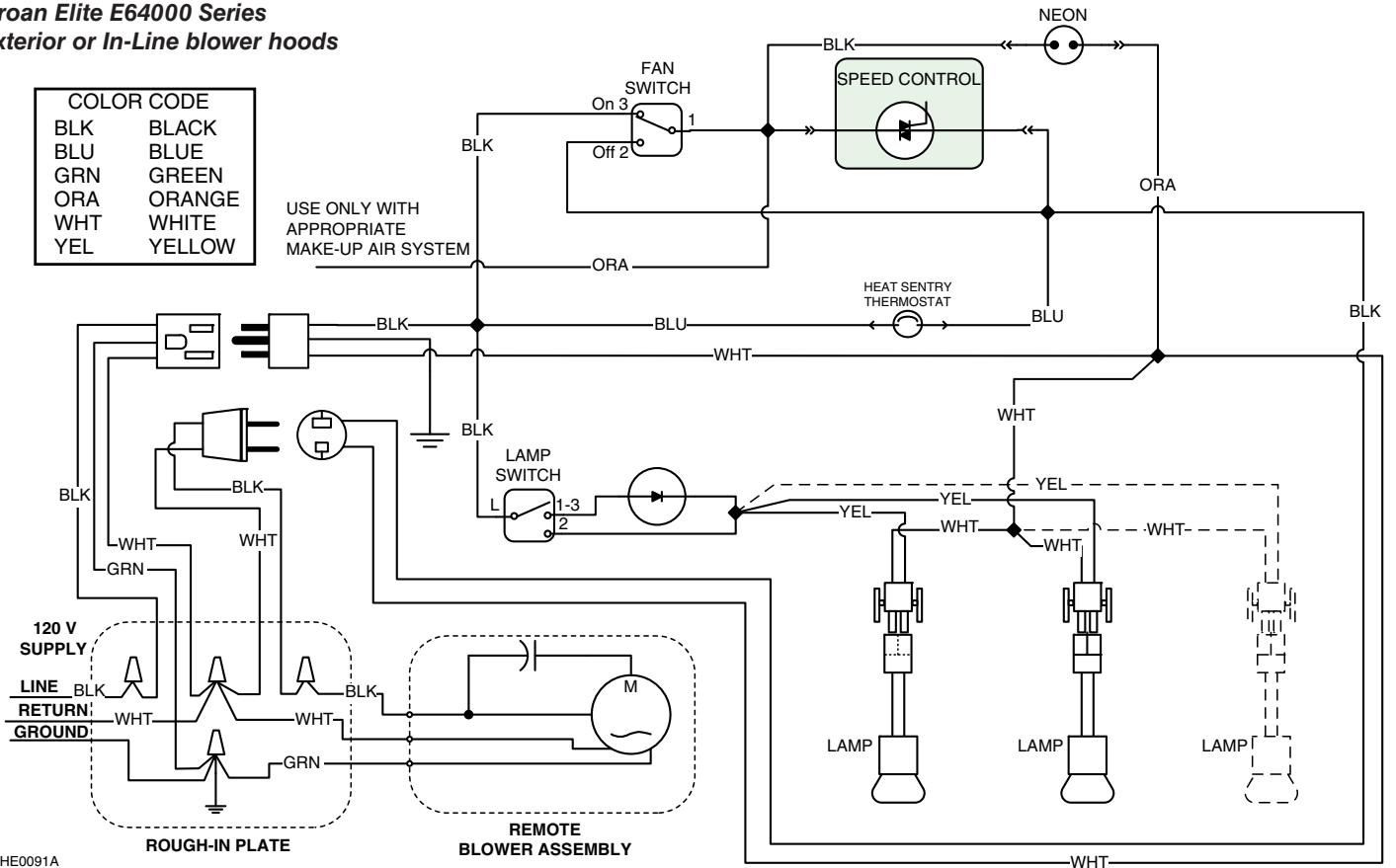
18. WIRING DIAGRAMS

Broan Elite E6400 Series Internal blower(s) hoods



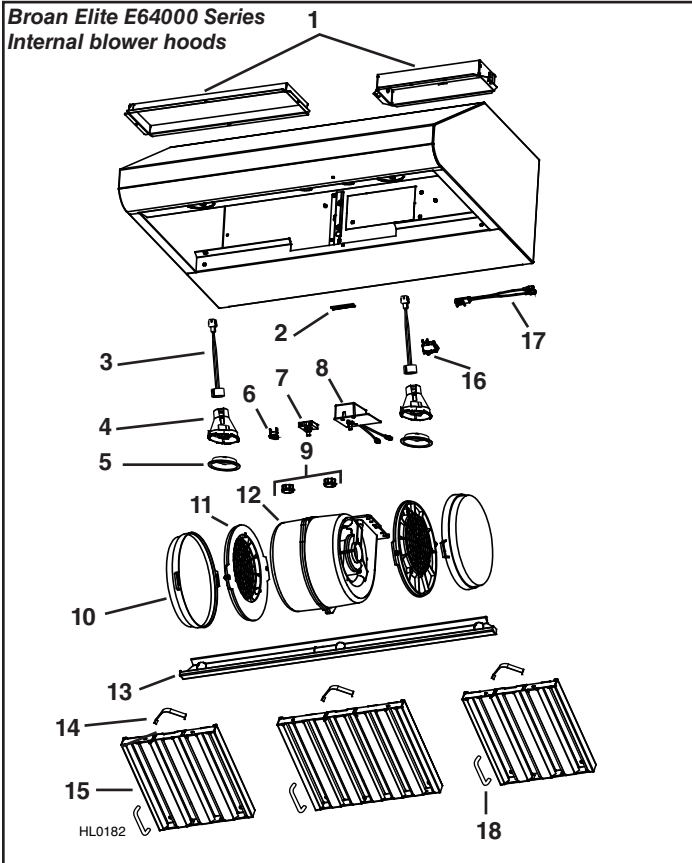
HE0090A

Broan Elite E6400 Series Exterior or In-Line blower hoods



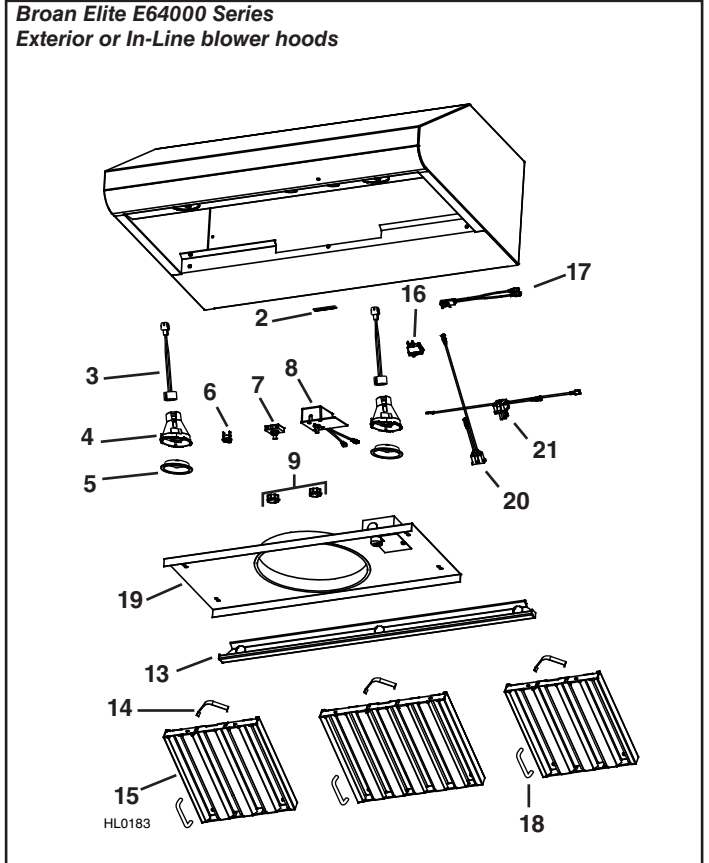
HE0091A

19. SERVICE PARTS



KEY NO.	PART NO.	DESCRIPTION	QTY. (HOOD WIDTH)			
			30"	36"	42"	48"
1	SV13296	ADAPTER/DAMPER 3¼" x 10" (1-BLOWER HOOD)	1	1	1	1
	SV17797	ADAPTER 4¼" x 18½" (2-BLOWER HOOD)	1	1	1	1
2	SV06750	BROAN ELITE LOGO	1	1	1	1
3	SV05917	SOCKET	2	2	3	3
4	SV09435	SOCKET HOLDER	2	2	3	3
5	SV09434	LIGHT TRIM	2	2	3	3
6	SV03435	HEAT SENTRY™ THERMOSTAT	1	1	1	1
7	SV08338	LIGHT SWITCH	1	1	1	1
8	SV03501	SPEED CONTROL	1	1	1	1
9	SV08355	BLOWER AND LIGHT KNOBS (2 KNOBS)	1	1	1	1
10	SV08343	REPLACEMENT CHARCOAL FILTERS (PAIR)	1	1	1	1
11	SV08344	CHARCOAL FILTER SUPPORTS (PAIR)	1	1	1	1
12	SV08097	INTERNAL MOTOR (1 OR 2, DEPENDING ON HOOD MODEL)	1	1	1	2
13	SV17640	GREASE RAIL 30"	1	-	-	-
	SV17641	GREASE RAIL 36"	-	1	-	-
	SV17642	GREASE RAIL 42"	-	-	1	-
	SV17643	GREASE RAIL 48"	-	-	-	1
14	SV08337	FILTER SPRING (SET OF 6)	1	1	1	1
15	SV17600	BAFFLE FILTER 8.84" x 9.80"	2	-	2	-
	SV17603	BAFFLE FILTER 11.84" x 9.80"	1	3	2	4
16	SV08339	BLOWER ROCKER SWITCH	1	1	1	1
17	SV08093	PILOT LAMP ASS'Y	1	1	1	1
18	SV07680	BAFFLE FILTER HANDLE WITH SCREWS	3	3	4	4
*	SV08342	CAPACITOR 25 µF	1	1	1	1
*	SV08341	INSTALLATION GUIDE	1	1	1	1
*	SV08353	PARTS BAG: 2 WIRE CONNECTORS, 9 SCREWS NO. 8 x 1/2", 1 WIRE CLAMP, 8 MECHANICAL SCREWS NO. 8-32 x 1/4", 8 SCREWS NO. 8 x 3/8"	1	1	1	1

* NOT SHOWN.

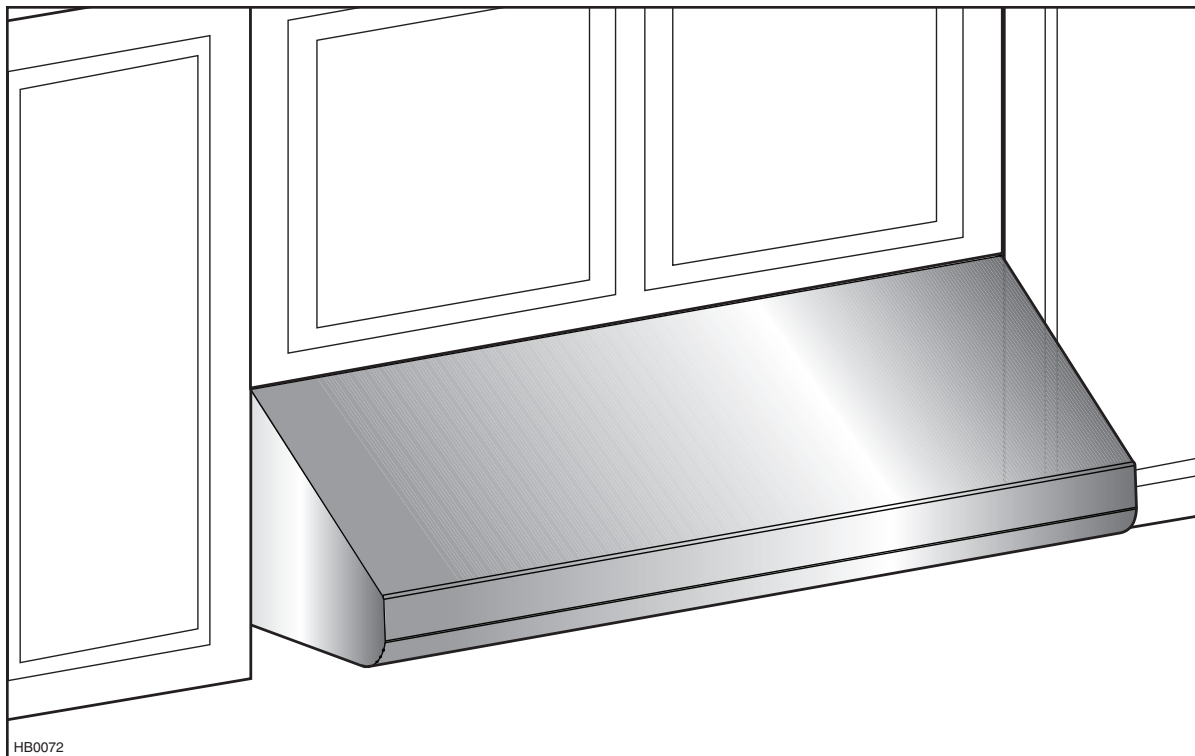


KEY NO.	PART NO.	DESCRIPTION	QTY. (HOOD WIDTH)			
			30"	36"	42"	48"
2	SV06750	BROAN ELITE LOGO	1	1	1	1
3	SV05917	SOCKET	2	2	3	3
4	SV09435	SOCKET HOLDER	2	2	3	3
5	SV09434	LIGHT TRIM	2	2	3	3
6	SV03435	HEAT SENTRY™ THERMOSTAT	1	1	1	1
7	SV08338	LIGHT SWITCH	1	1	1	1
8	SV03501	SPEED CONTROL	1	1	1	1
9	SV08355	BLOWER AND LIGHT KNOBS (2 KNOBS)	1	1	1	1
13	SV17640	GREASE RAIL 30"	1	-	-	-
	SV17641	GREASE RAIL 36"	-	1	-	-
	SV17642	GREASE RAIL 42"	-	-	1	-
	SV17643	GREASE RAIL 48"	-	-	-	1
14	SV08337	FILTER SPRING (SET OF 6)	1	1	1	1
15	SV17600	BAFFLE FILTER 8.84" x 9.80"	2	-	2	-
	SV17603	BAFFLE FILTER 11.84" x 9.80"	1	3	2	4
16	SV08339	BLOWER ROCKER SWITCH	1	1	1	1
17	SV08093	PILOT LAMP ASS'Y	1	1	1	1
18	SV07680	BAFFLE FILTER HANDLE WITH SCREWS	3	3	4	4
19	SV08354	ROUGH-IN PLATE 10" ROUND	1	1	1	1
20	SV13923	FEMALE CONNECTOR	1	1	1	1
21	SV13924	MALE CONNECTOR	1	1	1	1
*	SV08342	CAPACITOR 25 µF	1	1	1	1
*	SV08341	INSTALLATION GUIDE	1	1	1	1
*	SV08353	PARTS BAG: 2 WIRE CONNECTORS, 9 SCREWS NO. 8 x 1/2", 1 WIRE CLAMP, 8 MECHANICAL SCREWS NO. 8-32 x 1/4", 8 SCREWS NO. 8 x 3/8"	1	1	1	1

* NOT SHOWN.

REPLACEMENT PARTS AND REPAIRS
 In order to ensure your unit remains in good working condition, you must use Broan-NuTone genuine replacement parts only. Broan-NuTone genuine replacement parts are specially designed for each unit and are manufactured to comply with all the applicable certification standards and maintain a high standard of safety. Any third party replacement part used may cause serious damage and drastically reduce the performance level of your unit, which will result in premature failing. Broan-NuTone recommends to contact a certified service depot for all replacement parts and repairs.

BROAN® *Elite*



SÉRIE E64000

⚠ CONÇUE UNIQUEMENT POUR LA CUISSON DOMESTIQUE ⚠

LIRE ET CONSERVER CES DIRECTIVES

INSTALLATEUR : LAISSER CE GUIDE AU PROPRIÉTAIRE.
PROPRIÉTAIRE : DIRECTIVES D'UTILISATION ET D'ENTRETIEN
EN PAGES 29 ET 30.

Broan-NuTone LLC; Hartford, Wisconsin www.broan.com 800-558-1711

ENREGISTREZ VOTRE PRODUIT EN LIGNE À: www.broan.com/register

⚠️ AVERTISSEMENT

AFIN DE RÉDUIRE LES RISQUES D'INCENDIE, D'ÉLECTROCUTION OU DE BLESSURES CORPORELLES, SUIVEZ LES DIRECTIVES SUIVANTES :

1. N'utilisez cet appareil que de la façon prévue par le fabricant. Si vous avez des questions, contactez le fabricant à l'adresse ou au numéro de téléphone indiqués dans la garantie.
2. Avant de réparer ou de nettoyer l'appareil, coupez l'alimentation électrique en verrouillant le panneau de distribution afin d'éviter sa remise en marche accidentelle. Si le panneau de distribution ne peut être verrouillé, y fixer un avertissement en évidence tel qu'une étiquette de couleur vive.
3. Les travaux d'installation et de raccordement électrique doivent être effectués par du personnel qualifié, conformément aux codes et aux standards de construction, incluant ceux qui concernent la protection contre les incendies.
4. Une quantité d'air adéquate est requise afin d'assurer une bonne combustion et l'évacuation des gaz par la cheminée dans le cas des équipements alimentés au gaz afin de prévenir les retours de cheminée. Conformez-vous aux instructions et aux standards de sécurité des fabricants d'équipement de chauffage, tel qu'ils sont publiés par la *National Fire Protection Association* (NFPA) et l'*American Society for Heating, Refrigeration and Air Conditioning Engineers* (ASHRAE) ainsi que les responsables des codes locaux.
5. Lorsque vous coupez ou percez un mur ou un plafond, prenez garde de ne pas endommager les fils électriques ou autres installations qui pourraient y être dissimulés.
6. Les ventilateurs avec conduits doivent toujours évacuer l'air à l'extérieur.
7. Ne pas utiliser cet appareil avec une commande de vitesse à semi-conducteur additionnelle.
8. Afin de réduire les risques d'incendie, n'utilisez que des conduits en métal.
9. Cet appareil doit être mis à la terre.
10. Lorsqu'une réglementation est en vigueur et qu'elle comporte des exigences d'installation et/ou de certification plus restrictives, lesdites exigences prévalent sur celles de ce document et l'installateur entend s'y conformer à ses frais.

AFIN DE RÉDUIRE LES RISQUES DE FEU DE CUISINIÈRE :

- a) Ne laissez jamais les appareils de cuisson sans surveillance lorsqu'ils sont réglés à feu vif. Les débordements engendrent de la fumée et des déversements graisseux pouvant s'enflammer. Chauffez l'huile lentement, à feu doux ou moyen.
- b) Mettez toujours la hotte en marche lorsque vous cuisinez à feu vif ou que vous cuisinez des mets flambés (par ex. : crêpes Suzette, cerises jubilé, steaks au poivre flambés).
- c) Nettoyez régulièrement la (les) roue(s) du ventilateur. Ne laissez pas la graisse s'accumuler sur le ventilateur, les filtres ou les conduits d'évacuation.
- d) Utilisez le bon format de casserole. Servez-vous toujours de casseroles et d'ustensiles appropriés à la dimension de la surface chauffante.

⚠️ AVERTISSEMENT

AFIN D'ÉVITER TOUT RISQUE DE BLESSURES DANS LE CAS D'UN FEU DE CUISINIÈRE, SUIVEZ CES DIRECTIVES* :

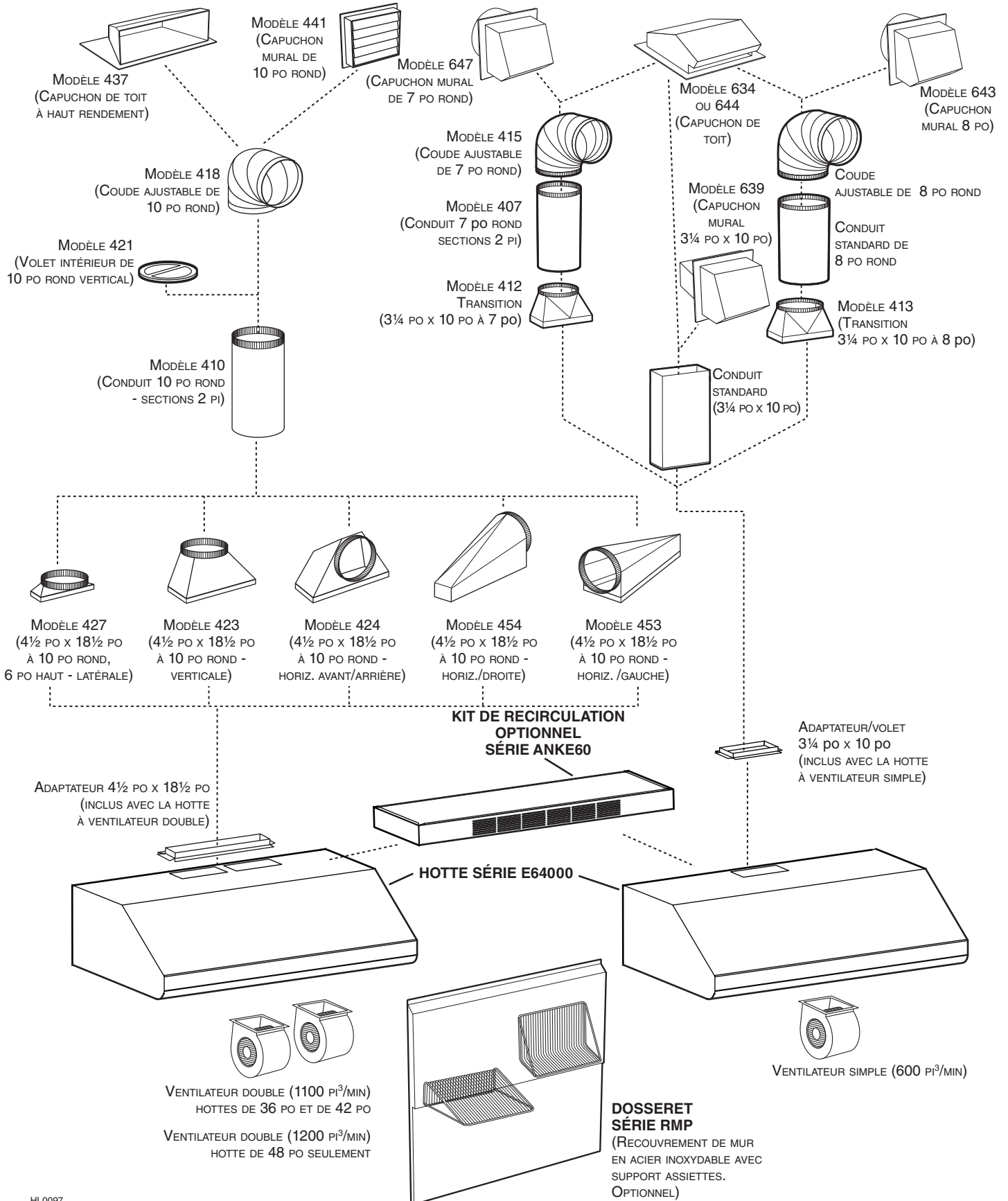
1. Éteignez les flammes avec un couvercle hermétique, une tôle à biscuits ou un plateau métallique et ensuite, éteignez le brûleur. PRENEZ SOIN D'ÉVITER LES BRÛLURES. SI LES FLAMMES NE S'ÉTEignent PAS IMMÉDIATEMENT, ÉVACUEZ LES LIEUX ET APPELEZ LES POMPIERS.
2. NE PRENEZ JAMAIS UNE CASSEROLE EN FLAMMES DANS VOS MAINS. Vous pourriez vous brûler.
3. N'UTILISEZ PAS D'EAU, incluant linge à vaisselle ou serviette mouillés; cela pourrait occasionner une violente explosion de vapeur.
4. N'utilisez un extincteur QUE DANS LE CAS OÙ :
 - A. Vous savez qu'il s'agit d'un extincteur de classe ABC et que vous en connaissez le fonctionnement.
 - B. L'incendie est petit et limité à l'endroit où il a débuté.
 - C. Les pompiers ont été avisés.
 - D. Vous pouvez combattre l'incendie en ayant accès à une sortie de secours.

*Tirées du *Kitchen Fire Safety Tips* publié par la NFPA.

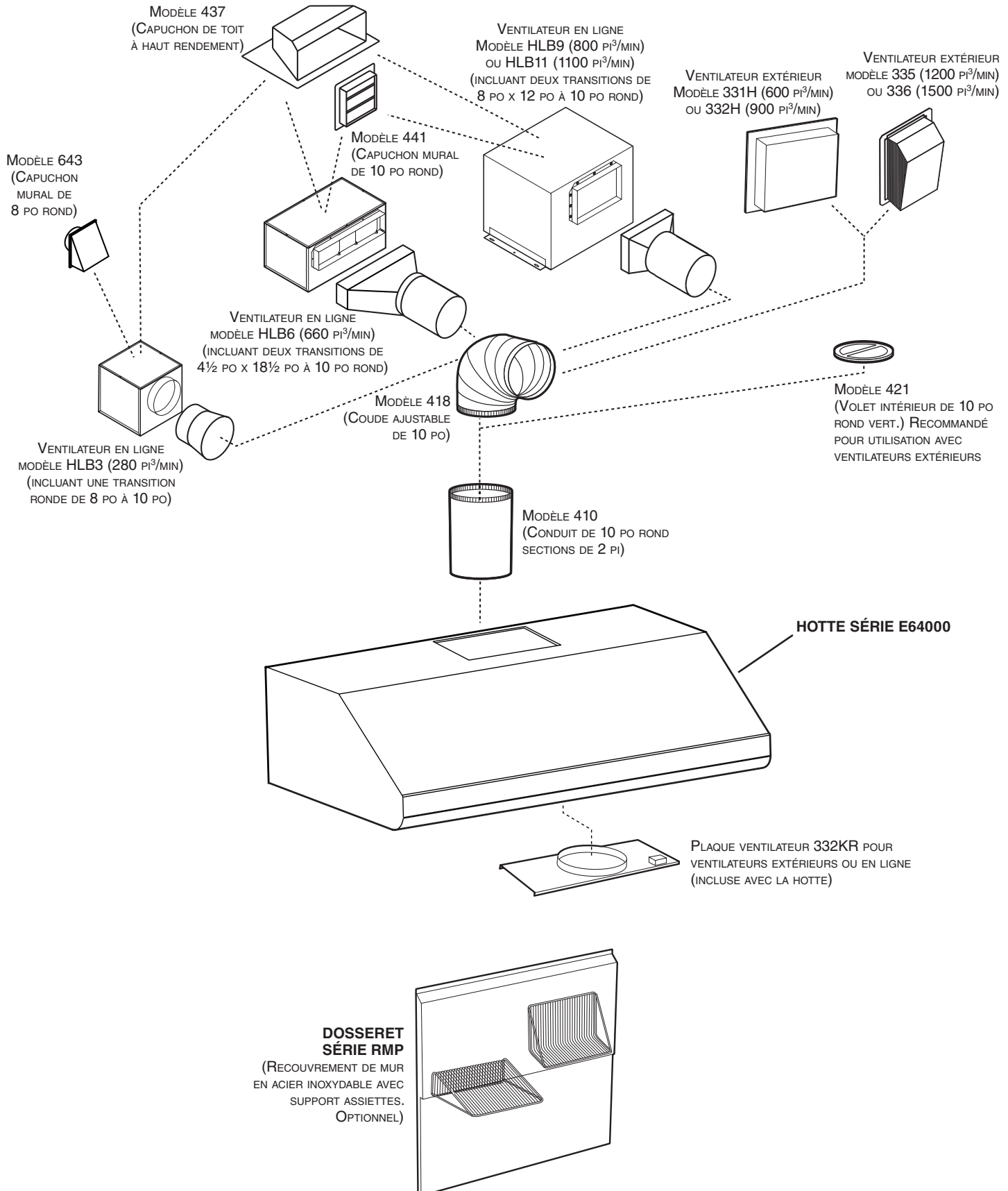
ATTENTION

1. Pour une utilisation à l'intérieur seulement.
2. Pour usage domestique seulement. Ne l'utilisez pas pour évacuer des vapeurs ou des matières dangereuses ou explosives.
3. Afin d'éviter tout dommage au moteur et de débalancer ou de rendre bruyante la roue du moteur, gardez votre appareil à l'abri des poussières de gypse et de construction/rénovation, etc.
4. Le moteur de votre hotte possède une protection thermique qui arrêtera automatiquement le moteur s'il devient surchauffé. Le moteur redémarrera automatiquement une fois refroidi. Si le moteur continue d'arrêter et de redémarrer, faites-le vérifier.
5. Pour une meilleure évacuation des odeurs de cuisson, le bas de votre hotte devrait être situé à un minimum de 24 po et à un maximum de 30 po au-dessus de la table de cuisson.
6. Deux installateurs sont recommandés lors de l'installation vu la grande dimension et le poids de cette hotte.
7. Afin de réduire les risques d'incendie, assurez-vous d'évacuer l'air à l'extérieur. Ne pas évacuer l'air dans des espaces restreints comme l'intérieur des murs ou du plafond ou dans le grenier, faux plafond ou garage.
8. Cet appareil est équipé d'un thermostat pouvant faire démarrer le ventilateur automatiquement. Afin de réduire le risque de blessure, couper le courant à partir du panneau de distribution et verrouiller ou apposer un avertissement sur le panneau afin de prévenir que la hotte ne soit mise en marche accidentellement.
9. À cause de la grande capacité d'évacuation de cette hotte, utiliser un dispositif d'apport d'air approprié ou ouvrir une fenêtre dans ou près de la cuisine afin de remplacer l'air évacué.
10. Afin de réduire les risques d'incendie et d'électrocution, la hotte Broan Élite de série E64E doit être installée uniquement avec un ventilateur extérieur Broan suivant : 331H, 332H, 335 ou 336 ou un ventilateur en ligne Broan suivant : HLB3, HLB6, HLB9 ou HLB11 (vendus séparément). Aucun autre ventilateur ne doit être utilisé.
11. Veuillez consulter l'autocollant apposé à l'intérieur de la hotte pour plus d'information ou autres exigences.
12. Afin de réduire les risques de feu ou d'électrocution, si la hotte est utilisée en mode recirculation, utiliser uniquement l'ensemble de recirculation modèle ANKE60.

- SYSTÈME DE HOTTE DE CUISINIÈRE DE SÉRIE E64000 - VENTILATEURS INTÉRIEURS



- SYSTÈME DE HOTTE DE CUISINIÈRE DE SÉRIE E64000 - VENTILATEURS EN LIGNE ET EXTÉRIEURS



1. SÉLECTIONNER L'OPTION VENTILATEUR ET LE TYPE D'INSTALLATION

1.1 INSTALLATION EN RECIRCULATION

Le kit de recirculation de série ANKE60 doit être installé (vendu séparément). Pour obtenir une efficacité maximale, nous recommandons d'installer ce kit avec une hotte munie d'un ventilateur (intérieur) simple. Ce kit convient aux hottes de 30 po à 48 po de largeur. Voir les directives d'installation incluses avec le kit de recirculation de série ANKE60.

1.2 INSTALLATION AVEC CONDUITS

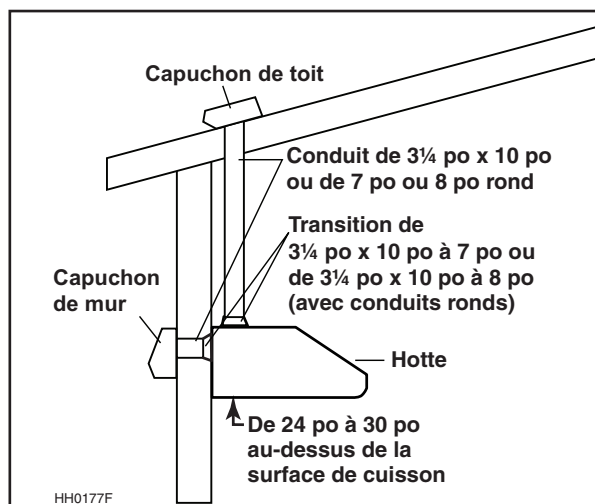
La série E64000 des hottes de cuisinière Broan Elite comprend plusieurs configurations : des hottes munies de ventilateur intérieur simple ou double (inclus avec la hotte), ou des hottes utilisant des ventilateurs externes. Pour cette dernière catégorie, la hotte de modèle Broan Elite de série E64000 doit être installée uniquement avec l'un des ventilateurs en ligne de modèle HLB3, HLB6, HLB9, HLB11, ou un ventilateur extérieur de modèle 331H, 332H, 335 ou 336 (vendus séparément). Aucun autre ventilateur ne peut être utilisé.

Déterminer à quel endroit et de quelle façon les conduits seront installés.

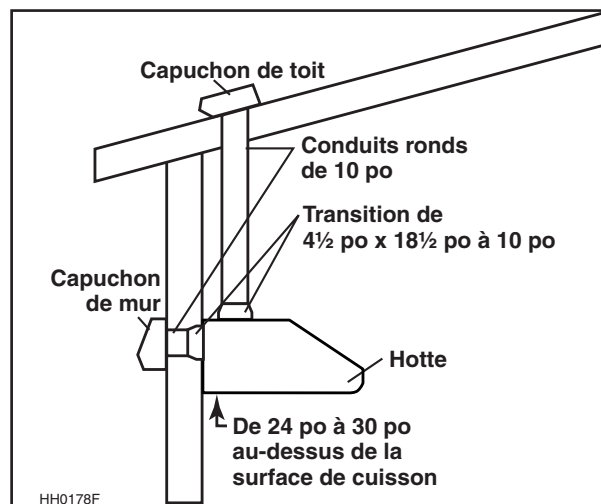
Si un ventilateur en ligne est installé, se reporter aux directives incluses avec celui-ci et suivre les étapes 1, 2, 3, 4, 10 et suivantes de ce guide.

Installer des conduits de dimensions appropriées, coude(s) et capuchon mural ou de toit selon le type de ventilateur. Si des conduits ronds de 7 po, de 8 po ou de 10 po sont installés, utiliser une transition (ventilateurs intérieurs seulement). Se servir de ruban adhésif de métal de 2 po pour assurer l'étanchéité des joints.

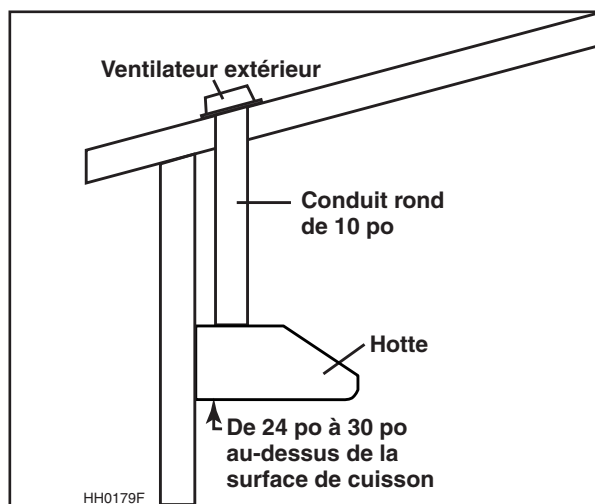
La distance entre le bas de votre hotte et la surface de cuisson ne doit pas être inférieure à 24 po. Un maximum de 30 po au-dessus de la surface de cuisson est fortement recommandé pour une meilleure évacuation des odeurs de cuisson. Une distance de plus de 30 po demeure à la discrétion de l'installateur et de l'utilisateur.



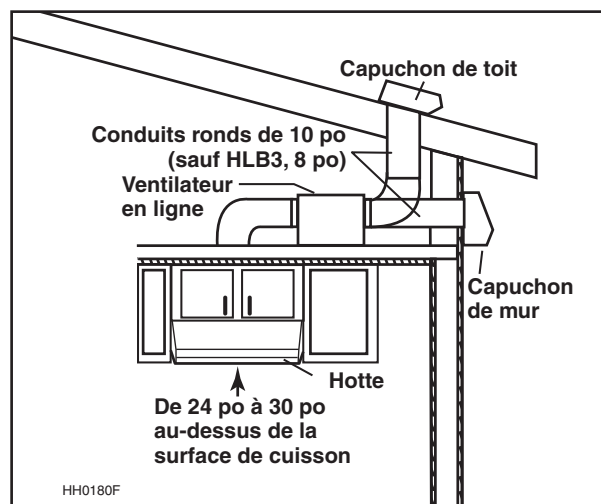
UN VENTILATEUR INTÉRIEUR
CONDUITS TYPES



DEUX VENTILATEURS INTÉRIEURS
CONDUITS TYPES



VENTILATEUR EXTÉRIEUR
MODÈLE 331H, 332H, 335 OU 336
CONDUITS TYPES



VENTILATEUR EN LIGNE
MODÈLE HLB3, HLB6, HLB9 OU HLB11
CONDUITS TYPES

2. PRÉPARER L'INSTALLATION

⚠ AVERTISSEMENT

Il est recommandé de porter des lunettes et des gants de sécurité lors de l'installation, de l'entretien et de la réparation de cet appareil.

NOTE : Avant de commencer l'installation, vérifier le contenu de la boîte. Si des pièces sont manquantes ou endommagées, contacter le manufacturier.

S'assurer que les articles suivants sont inclus :

- La hotte
- Les accessoires incluant :
 - Les filtres à chicane avec poignées : les hottes de 30 po et de 36 po ont 3 filtres à chicane; les hottes de 42 po et de 48 po ont 4 filtres à chicane
 - L'adaptateur/volet de 3¼ po x 10 po (inclus avec la hotte à ventilateur simple)
 - L'adaptateur de 4½ po x 18½ po (vissé à l'intérieur de la hotte à ventilateur double)
 - La plaque ventilateur en ligne ou extérieur, modèle 332KR (assemblée à l'intérieur des hottes à ventilateur externe)
 - Le sac de pièces incluant :
 - 1 serre-fils, 9 vis n° 8 x 1/2 po, 2 capuchons de connexion, 8 vis n° 8-32 x 1/4 po, 4 vis n° 8 x 3/8 po

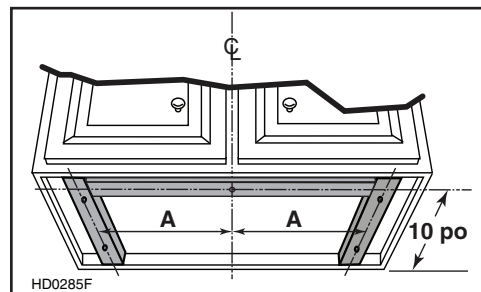
Pièces vendues séparément :

- Ensemble de ventilateur en ligne HLB3, HLB6, HLB9 ou HLB11 (tous incluant la transition)
- Ensemble de ventilateur extérieur, modèle 331H, 332H, 335 ou 336
- Ampoules halogènes avec écran GU10, 50 W max. (2 requises pour les hottes de 30 po et de 36 po de largeur, 3 requises pour celles de 42 po et de 48 po de largeur)
- Dossieret, série RMP (optionnel)
- Kit de recirculation de série ANKE60, obligatoire pour les installations en recirculation (modèles avec moteur(s) intégré(s) seulement)
- Transitions, conduits, coudes, volets, capuchons de mur ou de toit

Consulter les pages 19 et 20 pour la liste complète des accessoires de ventilation et les numéros de modèle.

- NOTES :
1. Si la base de l'armoire est en retrait, y fixer trois baguettes de bois (non incluses) de longueur appropriée, de chaque côté, tel qu'il est illustré ci-dessous. Pour l'emplacement des baguettes, vous référer au tableau et à l'illustration ci-dessous.
 2. Ne pas installer la baguette transversale s'il s'agit d'une installation de hotte avec ventilateur extérieur ou en ligne.

LARGEURS DE HOTTE	EMPLACEMENT DU CENTRE DE LA BAGUETTE DE BOIS (A)
30 PO	13 3/8 PO
36 PO	16 3/8 PO
42 PO	19 3/8 PO
48 PO	22 3/8 PO



2. PRÉPARER L'INSTALLATION (SUITE)

INSTALLATIONS AVEC CONDUITS SEULEMENT

Découper les ouvertures pour le conduit (A) et le fil d'alimentation électrique (B), dans l'armoire ou le mur, selon le type d'évacuation choisi. Voir ci-dessous.

NOTE : Pour toutes les hottes à ventilateur intérieur, l'ouverture pour le fil d'alimentation électrique peut être pratiquée dans la base de l'armoire OU dans le mur, peu importe le type d'évacuation choisi (verticale ou horizontale).

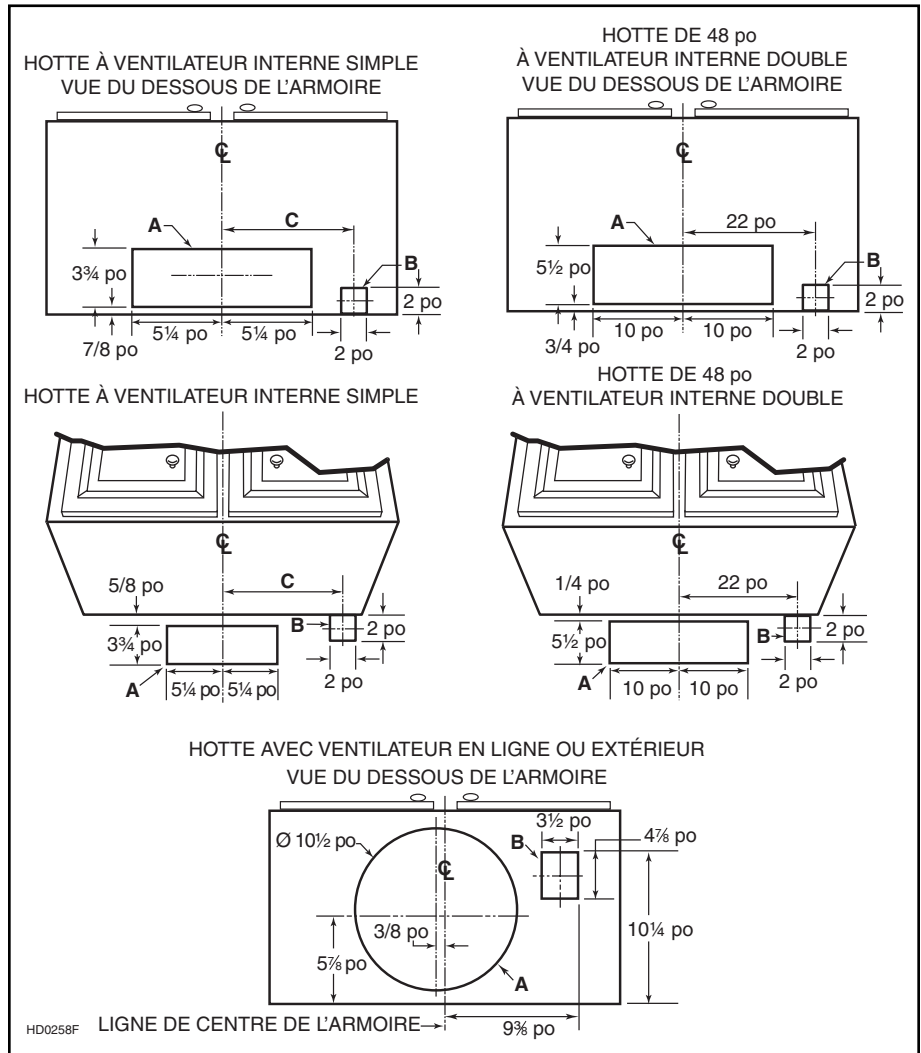
ÉVACUATION VERTICALE

LARGEURS DE HOTTE	DIMENSION C
30 po	13 po
36 po	16 po
42 po	19 po
48 po	22 po

ÉVACUATION HORIZONTALE

LARGEURS DE HOTTE	DIMENSION C
30 po	13 po
36 po	16 po
42 po	19 po
48 po	22 po

ÉVACUATION VERTICALE SEULEMENT

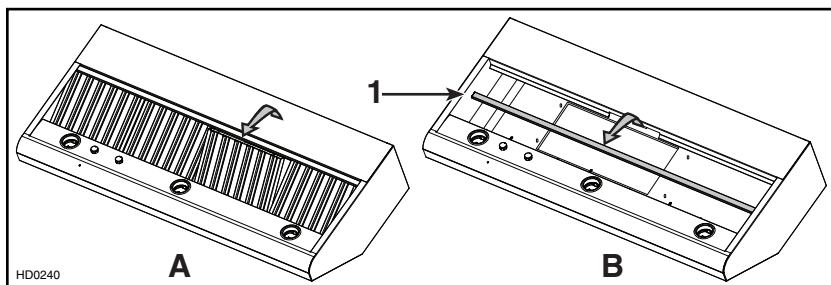


3. INSTALLER LE DOSSERET (OPTIONNEL)

Le dossier doit être installé avant la hotte, puisque celle-ci couvre les vis d'installation du dossier. Afin de pouvoir installer le dossier, s'assurer d'avoir 18 po entre le dessous de la hotte et le panneau de contrôle de la cuisinière ou de la surface de cuisson. (Voir instructions fournies avec le dossier.)

4. RETIRER LES FILTRES ET LA GOUÏTIÈRE

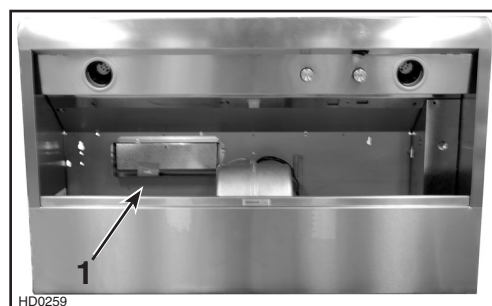
- A. Enlever le ruban adhésif des filtres.
Retirer les filtres de la hotte et les mettre de côté.
- NOTE : Il est recommandé de commencer par celui (ceux) du centre.
- B. Enlever le ruban adhésif de la gouttière (1).
Retirer la gouttière et la mettre de côté.



5. RETIRER L'ADAPTATEUR (HOTTE À VENTILATEUR(S) INTÉRIEUR(S) SEULEMENT)

HOTTE À UN VENTILATEUR

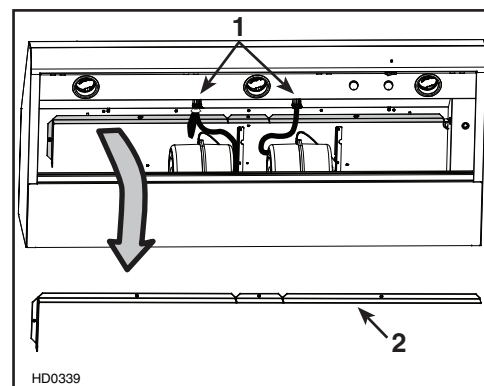
Retirer les deux vis retenant l'adaptateur/volet (1) au dessus interne de la hotte.



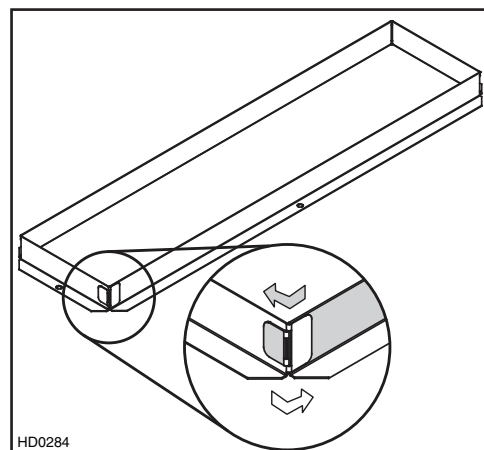
HOTTE À DEUX VENTILATEURS

Débrancher les deux ventilateurs (1) avant de retirer les 3 vis retenant l'adaptateur (2) au dessus interne de la hotte.

NOTE: L'adaptateur de la hotte à deux ventilateurs est livré déplié. Voir ci-contre.



Plier l'adaptateur et insérer la partie mâle (section grise dans le médaillon) dans la partie femelle (section blanche dans le médaillon). Puis, replier l'une sur l'autre les extrémités mâle et femelle pour finaliser l'assemblage de l'adaptateur.



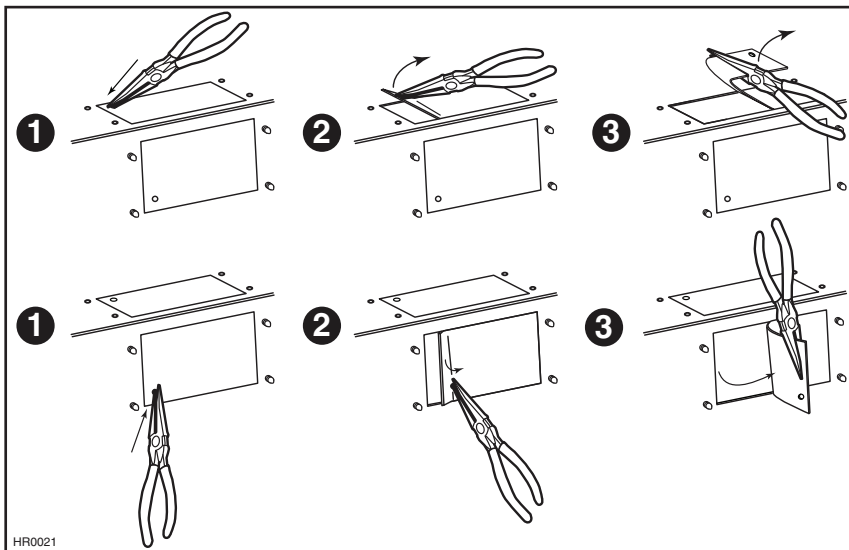
6. CHOISIR L'OUVERTURE (HOTTE À VENTILATEUR(S) INTÉRIEUR(S) SEULEMENT)

Enlever l'ouverture préamorcée (ou les ouvertures préamorcées) selon le type d'évacuation choisie (horizontale à l'arrière de la hotte ou verticale sur le dessus). Voir les illustrations ci-contre.

ÉVACUATION VERTICALE

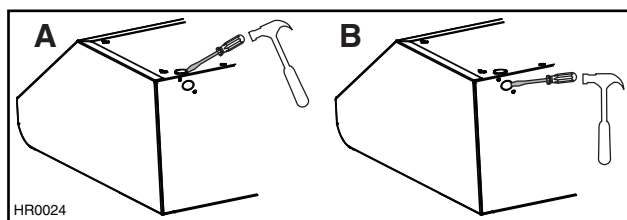
ÉVACUATION HORIZONTALE

NOTE : Seulement pour une évacuation avec conduits.



Défoncer l'ouverture préamorcée appropriée pour le fil d'alimentation électrique située sur le dessus (A) ou à l'arrière (B) de la hotte. Installer le serre-fils (inclus dans le sac de pièces).

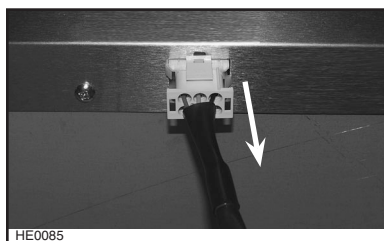
NOTE : Pour une installation en recirculation, défoncer l'ouverture préamorcée arrière (B).



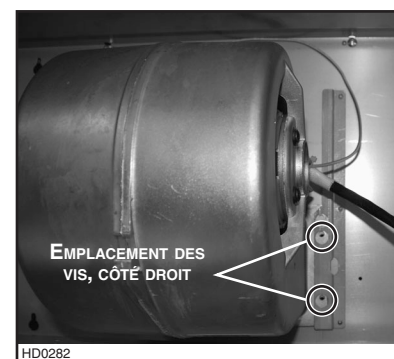
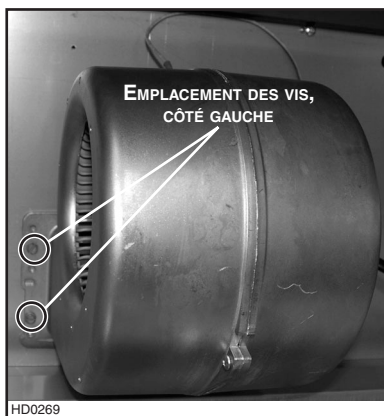
7. INSTALLATION À ÉVACUATION HORIZONTALE (HOTTE À VENTILATEUR(S) INTÉRIEUR(S) SEULEMENT)

Toutes les hottes à ventilateur(s) intérieur(s) sont expédiées de l'usine avec leur(s) ventilateur(s) configuré(s) pour une évacuation verticale. Pour une configuration d'évacuation horizontale, désassembler le(s) ventilateur(s) du dessus intérieur de la hotte et assembler le(s) ventilateur(s) au panneau arrière interne de la hotte. La procédure suivante vaut pour un ventilateur ou deux ventilateurs.

Débrancher le ventilateur

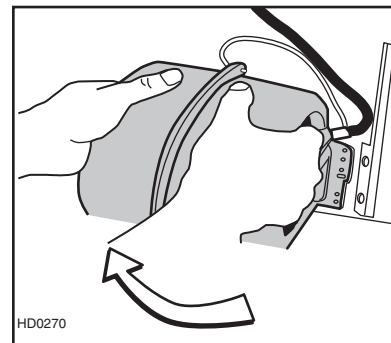


À l'aide d'une douille 5/16 po, enlever toutes les vis retenant le ventilateur au dessus intérieur de la hotte. Mettre de côté les vis.



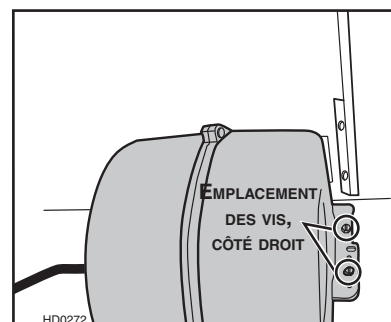
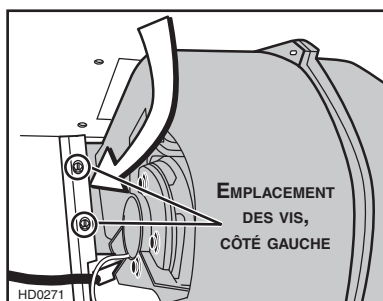
7. INSTALLATION À ÉVACUATION HORIZONTALE (HOTTE À VENTILATEUR(S) INTÉRIEUR(S) SEULEMENT) (SUITE)

Faire glisser le ventilateur pour désengager sa bride de son support de fixation.



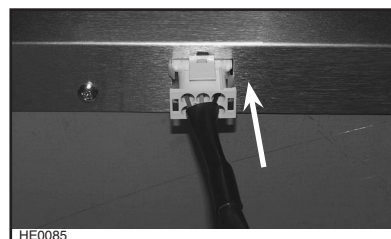
Retourner le ventilateur et engager sa bride dans le support de fixation du panneau arrière interne.

À l'aide d'une douille 5/16 po et des vis retirées précédemment, fixer le ventilateur à la hotte.



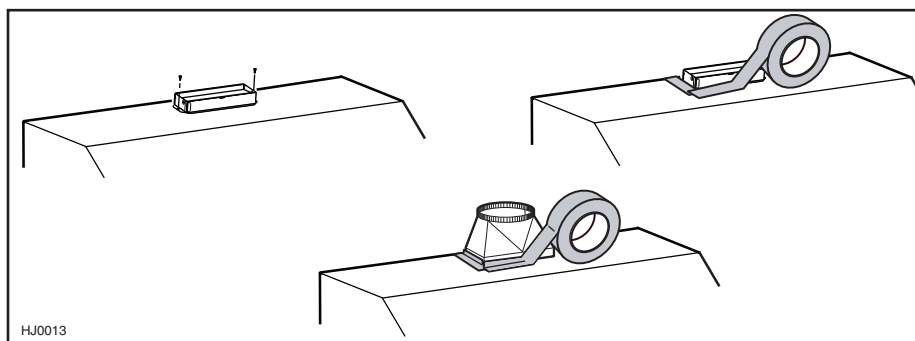
Rebrancher le ventilateur.

NOTE POUR LES HOTTES À DEUX VENTILATEURS SEULEMENT : Couper l'attache autoblocante du câble du ventilateur gauche.



8. INSTALLER L'ADAPTATEUR (LE CAS ÉCHÉANT) (HOTTE À DEUX VENTILATEUR(S) INTÉRIEUR(S) SEULEMENT)

À l'aide des vis standard 3/8 po fournies, fixer l'adaptateur sur le dessus (ou à l'arrière) de la hotte (2 vis pour l'adaptateur/volet de 3¼ po x 10 po et 4 vis pour l'adaptateur de 4½ po x 18½ po). Sceller l'adaptateur à la hotte à l'aide de ruban adhésif de métal. Si des conduits ronds doivent être installés, installer une transition de format adéquat et sceller les joints à l'aide de ruban adhésif de métal.

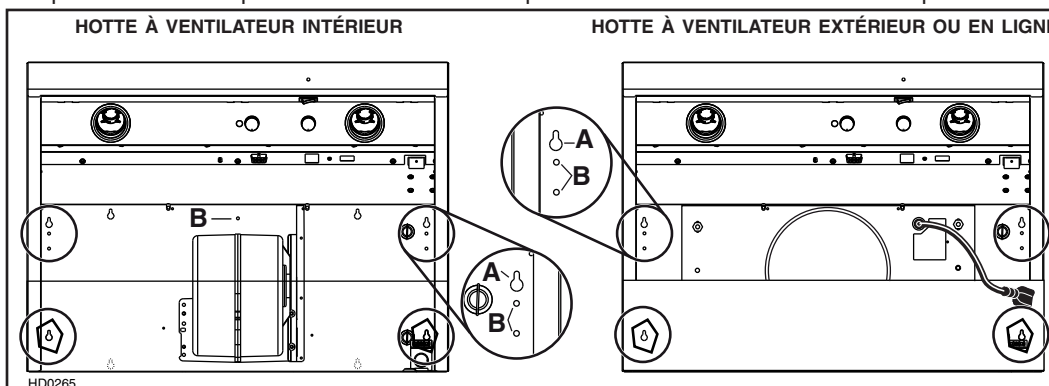


9. INSTALLER LE KIT DE RECIRCULATION DE SÉRIE ANKE60 (INSTALLATION EN RECIRCULATION SEULEMENT)

Voir les instructions incluses avec le kit de recirculation pour plus de détails.

10. INSTALLER LA HOTTE (TOUS LES VENTILATEURS)

VENTILATEUR INTÉRIEUR : Passer l'alimentation électrique jusqu'à l'endroit de l'installation de la hotte. Placer la hotte à son emplacement. Marquer la position des vis (petite partie du trou en forme de poire [A]) à l'aide d'un crayon. Retirer la hotte et installer 4 vis 1/2 po à double filet aux endroits marqués en laissant un espace de 1/8 po. Enlever le couvercle de la boîte de jonction. Passer le câble électrique dans la hotte par le serre-fils et serrer la vis du serre-fils à l'entrée de la hotte pour maintenir le câble en place. Placer la hotte sous l'armoire (les vis passent à travers la grosse partie des trous) et glisser la hotte en position. Visser complètement les vis pour maintenir la hotte en position. Visser les dernières vis 1/2 po à double filet dans les trous restants [B].



VENTILATEUR EN LIGNE OU EXTÉRIEUR : Passer l'alimentation électrique jusqu'à l'endroit de l'installation de la hotte. Placer la hotte à son emplacement. Marquer la position des vis (petite partie du trou en forme de poire [A]) à l'aide d'un crayon. Retirer la hotte et installer les 4 vis 1/2 po double filet aux endroits marqués en laissant un espace de 1/8 po. Enlever le couvercle de la boîte électrique située sur le dessus de la hotte, défoncer l'ouverture préamorcée et installer le serre-fils. Passer le câble électrique dans la hotte par le serre-fils et serrer la vis du serre-fils à l'entrée de la hotte pour maintenir le câble en place. Effectuer le branchement électrique (voir les instructions incluses avec le ventilateur en ligne ou extérieur). Placer la hotte sous l'armoire (les vis passent à travers la grosse partie des trous) et glisser la hotte en position. Visser complètement les vis pour maintenir la hotte en position. Visser les dernières vis 1/2 po à double filet dans les trous restants [B].

11. BRANCHEMENT ÉLECTRIQUE (TOUS LES VENTILATEURS)

⚠ AVERTISSEMENT

Risque d'électrocution. Le raccordement électrique doit être effectué par du personnel qualifié conformément aux codes et aux standards. Avant d'effectuer le branchement, coupez l'alimentation électrique au panneau de distribution et verrouillez-le pour éviter une mise en marche accidentelle.

Retirer le couvercle de la boîte de jonction de la plaque ventilateur ou du compartiment électrique de la hotte et mettre de côté.

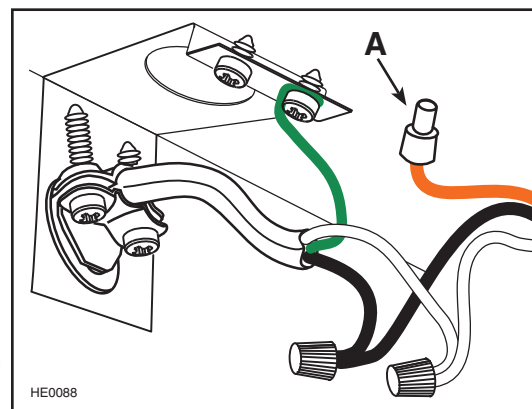
VENTILATEURS INTÉRIEURS : Connecter les fils aux fils du câble d'alimentation électrique à l'aide des capuchons de connexion fournis. Connecter le fil NOIR au NOIR, le fil BLANC au BLANC et le fil VERT ou dénudé à la vis VERTE de mise à la terre.

ATTENTION

Le fil ORANGE (A) ne doit servir seulement qu'à la connexion d'un dispositif d'apport d'air. S'il n'y a pas de dispositif d'apport d'air, ne jamais retirer le capuchon au bout du fil ORANGE.

Remettre en place le couvercle de la boîte de jonction.

VENTILATEURS EN LIGNE OU EXTÉRIEURS : Voir les instructions incluses avec le ventilateur.



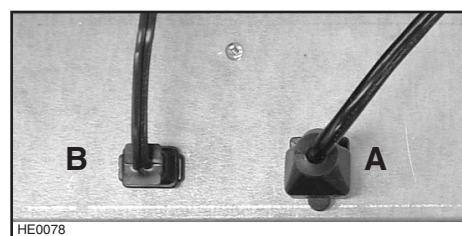
12. INSTALLER LE VENTILATEUR (HOTTE AVEC VENTILATEUR EXTÉRIEUR OU EN LIGNE)

Pour installer le ventilateur, voir les instructions comprises avec celui-ci.

Une fois installé, brancher le fil muni de la prise femelle (A) de la plaque ventilateur dans la fiche mâle à l'intérieur de la hotte et le fil muni de la fiche mâle (B) à la prise femelle à l'intérieur de la hotte.

⚠ AVERTISSEMENT

Ne jamais brancher ensemble le fil du ventilateur et le fil d'alimentation de la hotte.



13. INSTALLER LES AMPOULES

L'éclairage de cette hotte est produit par des ampoules halogènes avec écran de 50 W max., 120 V avec culot GU10 (non incluses). (2 requises pour une hotte de 30 po ou de 36 de largeur, ou 3 pour une hotte de 42 po ou de 48 po de largeur.)

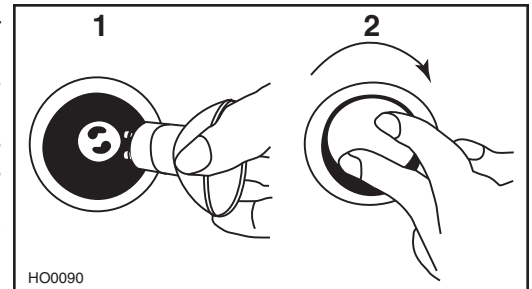
⚠ AVERTISSEMENT

Ne pas toucher aux lampes durant ou peu après leur utilisation. Peuvent causer des brûlures. Afin de réduire le risque de blessures corporelles, n'installer que des ampoules halogènes avec écran. Aussi, ne jamais installer une ampoule à faisceau froid, dichroïque, non conçue pour des luminaires encastrés ou conçue uniquement pour des luminaires fermés.

1. Installer les ampoules en glissant leurs conducteurs dans les rainures, à l'intérieur des douilles.
2. Pousser doucement vers le haut et tourner dans le sens des aiguilles d'une montre jusqu'à ce que les ampoules soient bien en place.

Pour retirer les ampoules, pousser doucement vers le haut et tourner dans le sens contraire des aiguilles d'une montre pour désengager les conducteurs hors de leurs rainures.

NOTE : Si nécessaire, utiliser un gant à vaisselle pour obtenir une meilleure prise de l'ampoule lors de son retrait.

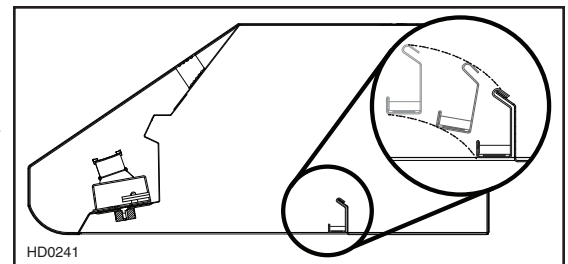


14. REMETTRE EN PLACE LA GOUTTIÈRE ET LES FILTRES À CHICANE

ATTENTION

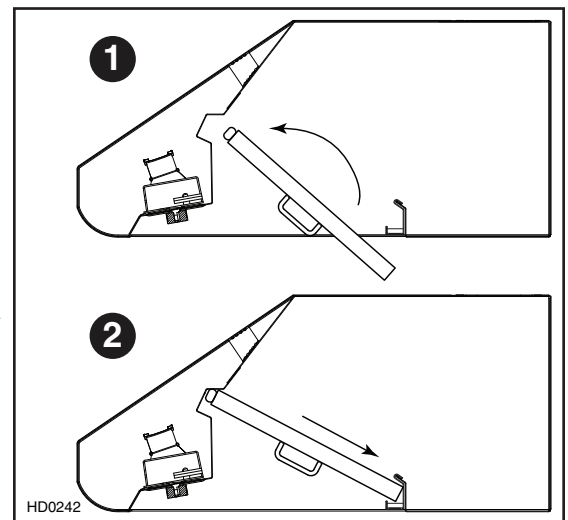
Retirer la pellicule protectrice de plastique des filtres avant de les installer.

Réinstaller la gouttière. L'illustration ci-contre montre comment remettre en place la gouttière dans la hotte.



Il est recommandé d'installer les filtres des côtés en premier et de terminer par le(s) filtre(s) du centre.

1. Insérer une extrémité du filtre dans le rail avant de la hotte.
2. Lever l'autre extrémité du filtre à l'intérieur de la hotte et l'introduire dans la gouttière.



15. ENTRETIEN

Filtres à chicane

Les filtres à chicane doivent être nettoyés fréquemment. Utiliser une solution d'eau chaude et de détergent. Nettoyer les filtres à chicane plus souvent si vos habitudes de cuisson génèrent plus de graisse, comme la friture ou les aliments sautés au wok. Retirer les filtres en les poussant vers l'arrière de la hotte et en les retournant vers le bas. Les filtres à chicane sont lavables au lave-vaisselle. Laisser les filtres sécher complètement avant de les réinstaller dans la hotte. Nettoyer les filtres fabriqués entièrement de métal au lave-vaisselle à l'aide d'un détergent sans phosphate. L'utilisation d'un détergent avec phosphate ainsi que les conditions locales de l'eau peuvent entraîner une décoloration des filtres, sans toutefois affecter leur performance. Cette décoloration n'est pas couverte par la garantie.

Gouttière

La gouttière doit être nettoyée fréquemment. Pour ce faire, la désengager de la hotte et utiliser une solution d'eau chaude et de détergent. Tout comme les filtres à chicane, la laver plus souvent si vos habitudes de cuisson génèrent plus de graisse, comme de la friture ou des aliments sautés au wok. Essuyer complètement la gouttière avant de la réinstaller dans la hotte.

Nettoyage du (des) ventilateur(s) (intérieur(s))

Retirer les filtres pour accéder au(x) ventilateur(s). Passer l'aspirateur pour le(s) nettoyer, ne pas immerger dans l'eau.

Nettoyage de la hotte

Acier inoxydable :

À faire : <ul style="list-style-type: none">• Laver régulièrement les surfaces à l'aide d'un linge propre imbibé d'eau tiède et de savon doux ou de détergent liquide pour la vaisselle.• Toujours nettoyer dans le sens du polissage.• Toujours bien rincer à l'eau claire (2 ou 3 fois) et essuyer complètement.• Un nettoyant domestique conçu spécialement pour l'acier inoxydable peut aussi être utilisé.	À ne pas faire : <ul style="list-style-type: none">• Utiliser de laine d'acier ou d'acier inoxydable ou tout autre grattoir pour enlever la saleté tenace.• Utiliser une poudre nettoyante abrasive ou rugueuse.• Laisser la saleté s'accumuler.• Laisser la poussière de plâtre ou tout autre résidu de construction atteindre la hotte. Couvrir la hotte pour la durée des travaux afin de s'assurer qu'aucune poussière n'atteint la hotte.
---	--

À éviter lors du choix du détergent :

- Tous produits nettoyants qui contiennent des **agents de blanchiment**; ils attaqueront l'acier inoxydable.
- Tous les produits contenant du **chlorure, fluorure, iode ou bromure**; ils détérioreront rapidement les surfaces.
- Tous produits combustibles utilisés pour le nettoyage : **acétone, alcool, éther, benzol**, etc., ils sont hautement explosifs et ne devraient jamais être utilisés près d'une cuisinière.

16. FONCTIONNEMENT

Toujours mettre en marche la hotte avant de commencer la cuisson afin d'établir une circulation d'air dans la cuisine. Laisser fonctionner la hotte quelques minutes après la fin de la cuisson afin de nettoyer l'air. Cela aidera à garder la cuisine plus propre et plus fraîche.

HEAT SENTRY^{MC}

Cette hotte est munie d'un thermostat HEAT SENTRY^{MC}. Ce thermostat est un dispositif qui actionnera ou augmentera la vitesse du ventilateur s'il détecte une chaleur excessive au-dessus de la surface de cuisson.

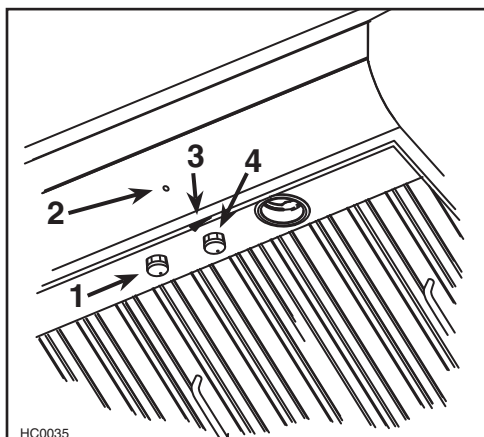
- 1) Si le ventilateur n'est pas en marche, il actionnera le ventilateur en haute vitesse.
- 2) Si le ventilateur fonctionne en basse vitesse, le ventilateur passera en haute vitesse.

⚠ AVERTISSEMENT

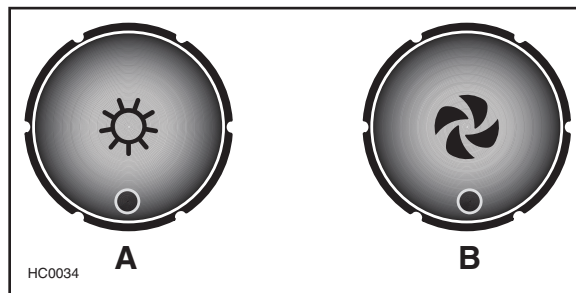
Lors d'un feu de cuisson ou d'une chaleur excessive, le HEAT SENTRY peut mettre le ventilateur en marche même s'il est arrêté. Si tel est le cas, il est impossible de l'arrêter avec son interrupteur. Si vous devez arrêter le ventilateur, faites-le depuis le panneau de distribution.

Lorsque la température revient à la normale, le ventilateur retourne à sa vitesse d'origine.

16. FONCTIONNEMENT (SUITE)



- 1) Bouton d'éclairage halogène
- 2) Témoin de fonctionnement du ventilateur
- 3) Interrupteur MARCHE/ARRÊT du ventilateur
- 4) Bouton de la commande de vitesse du ventilateur



- A) Bouton d'éclairage halogène
B) Bouton de la commande de vitesse du ventilateur

ÉCLAIRAGE DE LA SURFACE DE CUISSON (HALOGÈNE)

Un bouton rotatif à 3 positions (1) contrôle les lampes halogènes (ARRÊT - basse intensité - intensité élevée).

VENTILATEUR

Le ventilateur fonctionne à l'aide de deux commandes.

Utiliser l'interrupteur à bascule MARCHE/ARRÊT (3) pour mettre en marche et arrêter le ventilateur. Lorsqu'il est en marche, le témoin de fonctionnement du ventilateur (2) s'allume et le ventilateur fonctionne à la vitesse réglée par le bouton de la commande de vitesse (4).

Tourner le bouton de la commande de vitesse dans le sens des aiguilles d'une montre pour augmenter la vitesse du ventilateur, et dans le sens contraire des aiguilles d'une montre pour ralentir la vitesse du ventilateur.

17. GARANTIE

GARANTIE LIMITÉE DE UN AN DES PRODUITS BROAN ELITE

Broan-NuTone LLC (Broan-NuTone) garantit à l'acheteur consommateur initial des produits Broan Elite qu'ils sont exempts de tout défaut dans les matières premières ou la main-d'oeuvre, pour une période de un an à compter de la date d'achat par le consommateur initial. IL N'Y A PAS D'AUTRES GARANTIES, EXPRIMÉES OU IMPLICITES, INCLUANT, MAIS NON LIMITÉES AUX GARANTIES IMPLICITES POUR FIN DE COMMERCIALISATION ET DE CONVENANCE DANS UN BUT PARTICULIER.

Durant cette période de un an, Broan-NuTone, à sa discrétion, réparera ou remplacera gratuitement tout produit ou pièce qui s'avère défectueux et ayant été utilisé normalement et d'une manière non abusive.

CETTE GARANTIE NE COUVRE PAS LES STARTERS DE TUBES FLUORESCENTS, LES FLUORESCENTS, LES AMPOULES HALOGÈNES ET À INCANDESCENCE, LES FUSIBLES, LES FILTRES, LES CONDUITS, LES CAPUCHONS DE TOIT, LES CAPUCHONS DE MUR ET LES AUTRES ACCESSOIRES DE CONDUITS. Cette garantie ne couvre pas (a) l'entretien et le service normal ou (b) tout produit ou pièce endommagé à la suite de mauvais usage, négligence, accident, entretien inapproprié ou réparation (autre que par Broan-NuTone), mauvaise installation ou installation non conforme au mode d'installation recommandé.

La durée de toute garantie implicite est limitée à une période de un an telle qu'elle est spécifiée pour la garantie exprimée. Certains États ne permettent pas de limite de temps sur les garanties implicites. Si tel est le cas, veuillez ne pas tenir compte de la dernière limite décrite ci-dessus.

L'ENGAGEMENT DE BROAN-NUTONE DE RÉPARER OU DE REMPLACER, AU CHOIX DE BROAN-NUTONE, SERA LA SEULE OBLIGATION EXCLUSIVE SOUS CETTE GARANTIE. BROAN-NUTONE NE SERA PAS TENUE RESPONSABLE DES DOMMAGES DIRECTS, INDIRECTS OU SPÉCIAUX SURVENANT À CAUSE DE OU EN RAPPORT À L'UTILISATION OU À LA PERFORMANCE DE SES PRODUITS. Certains États ne permettent pas l'exclusion ou la limite relative aux dommages directs, indirects ou spéciaux. Si tel est le cas, veuillez ne pas tenir compte de l'exclusion ou de la limite ci-dessus.

Cette garantie vous donne des droits légaux spécifiques et il se peut que vous ayez d'autres droits qui varient d'un État à l'autre. Cette garantie annule toutes les autres garanties précédentes.

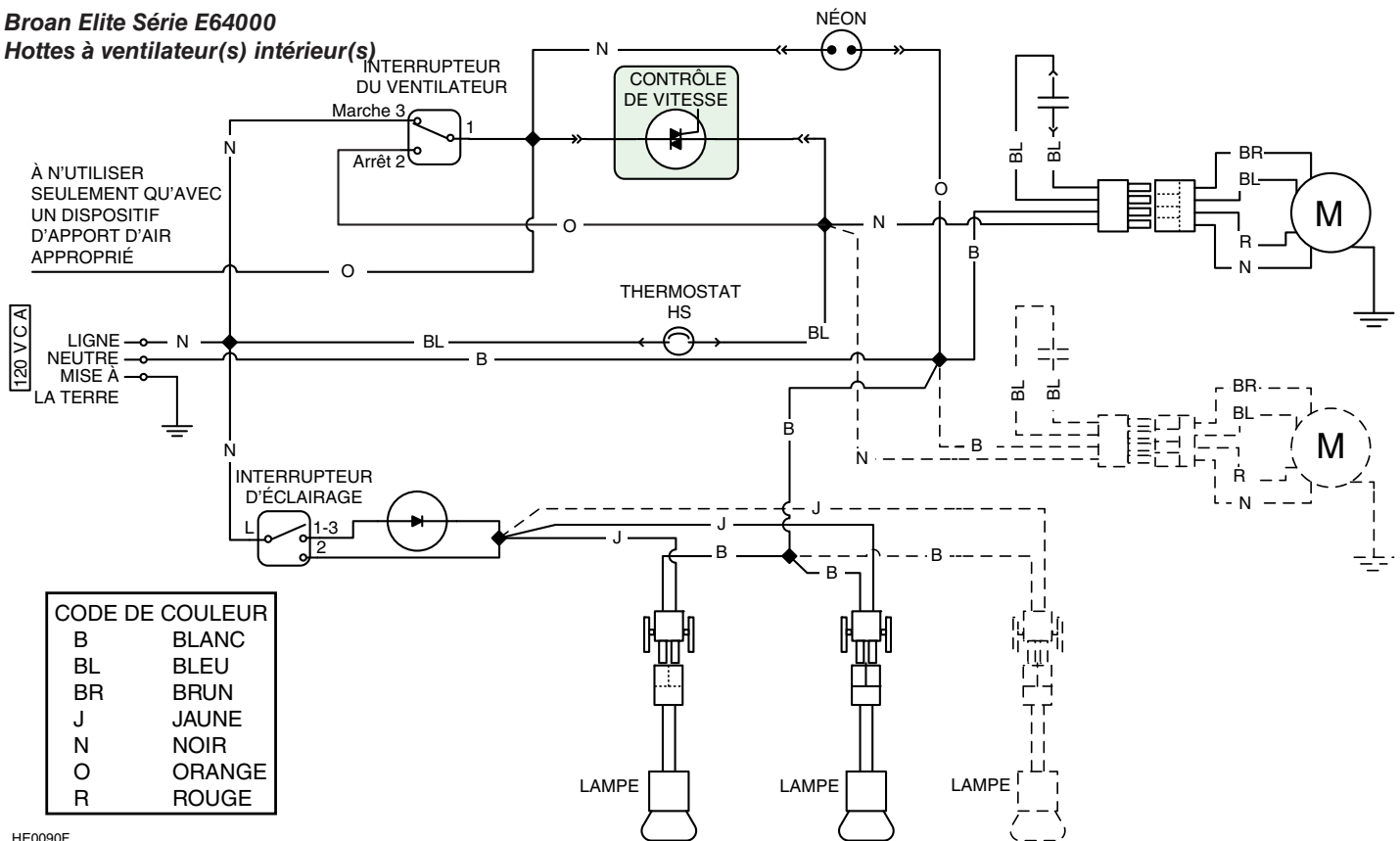
Pour le service sous garantie, vous devez (a) aviser Broan-NuTone à l'adresse ou numéro de téléphone mentionné plus bas, (b) donner le numéro du modèle et l'identification de la pièce et (c) décrire la nature de tout défaut dans le produit ou la pièce. Au moment de la demande de service sous garantie, vous devez présenter une preuve de la date d'achat initial dudit produit.

Broan-NuTone LLC; 926 W. State Street, Hartford, Wisconsin 53027 www.broan.com 800 558-1711

18. SCHÉMAS ÉLECTRIQUES

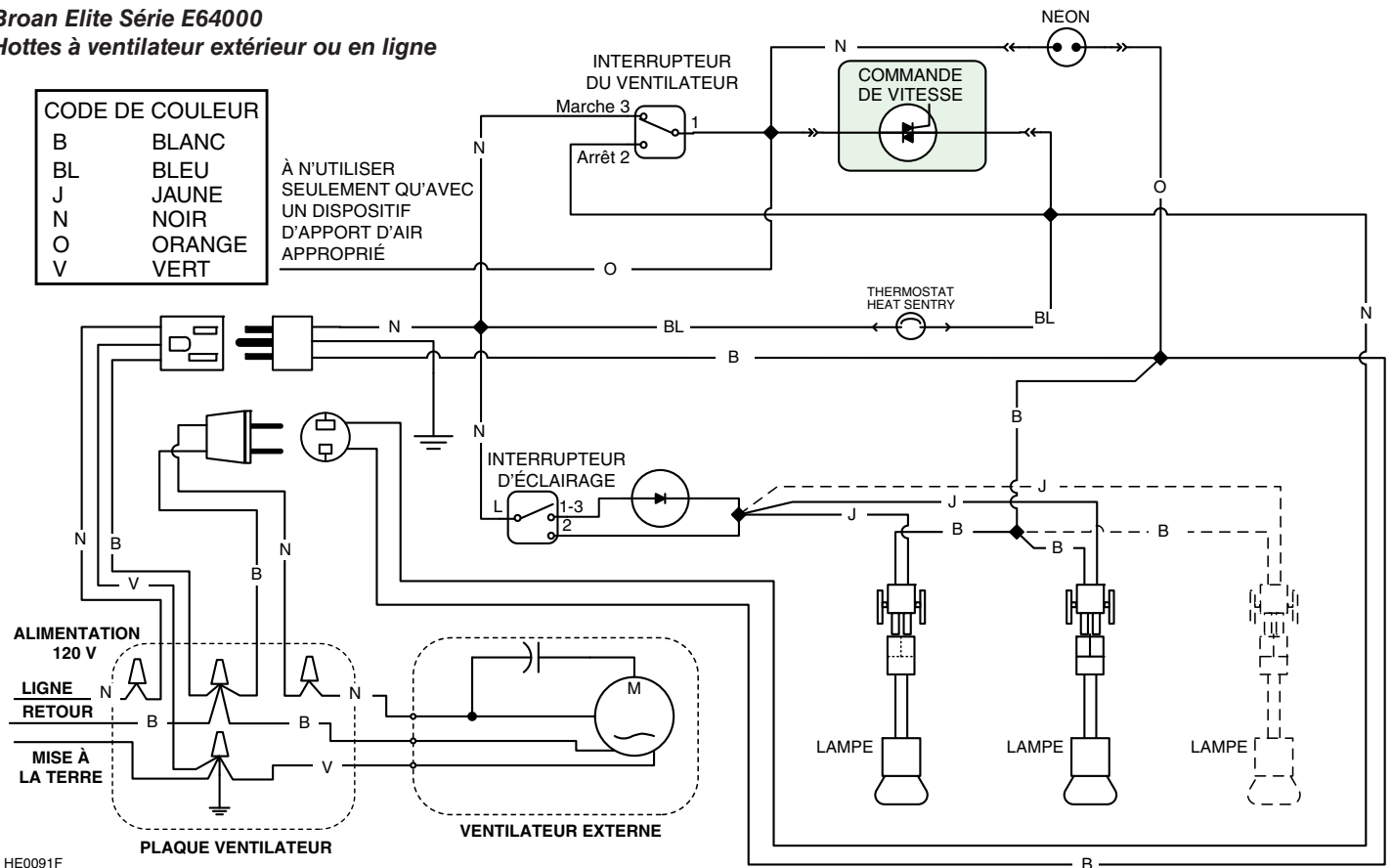
Broan Elite Série E64000

Hottes à ventilateur(s) intérieur(s)

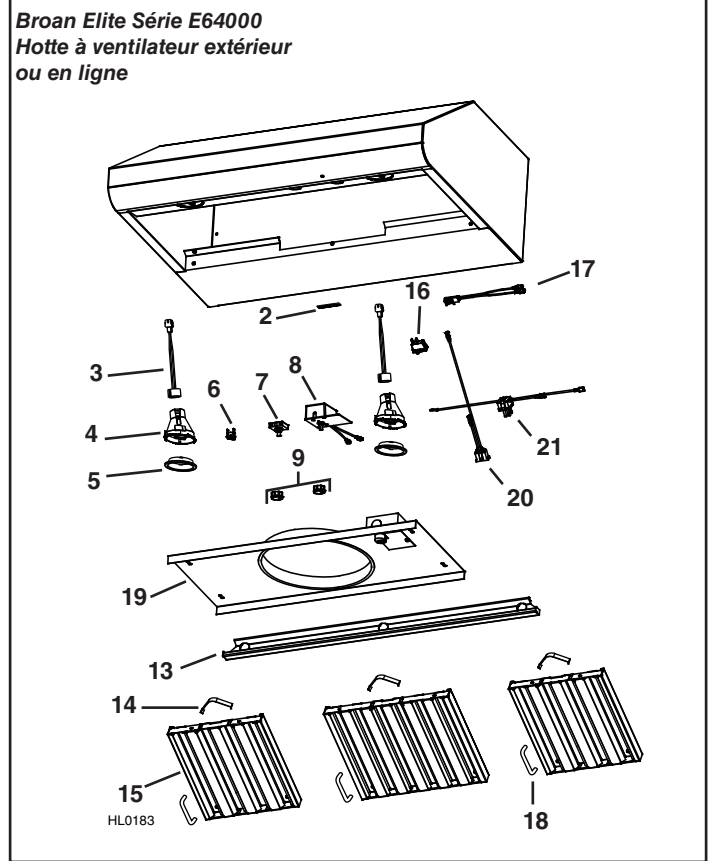
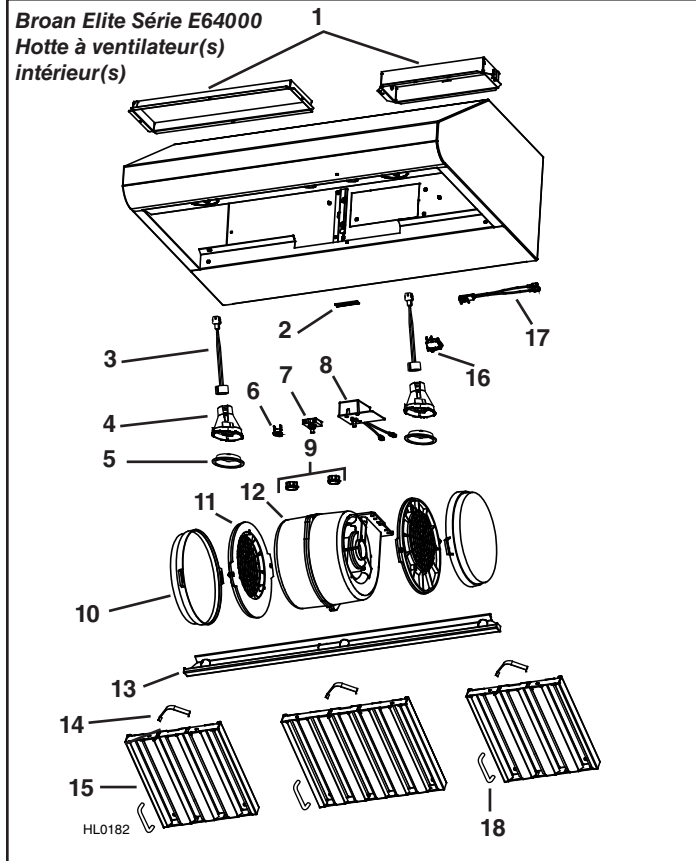


Broan Elite Série E64000

Hottes à ventilateur extérieur ou en ligne



19. PIÈCES DE RECHANGE



N° RÉF.	PIÈCE N°	DESCRIPTION	Qté (LARGEUR DE HOTTE)			
			30 PO	36 PO	42 PO	48 PO
1	SV13296	ADAPTATEUR/VOLET 3¼ PO X 10 PO (HOTTE À 1 VENTILATEUR)	1	1	1	1
	SV17797	ADAPTATEUR 4¼ PO X 18½ PO (HOTTE À 2 VENTILATEURS)	1	1	1	1
2	SV06750	LOGO BROAN ELITE	1	1	1	1
3	SV05917	DOUILLE	2	2	3	3
4	SV09435	SUPPORT DE DOUILLE	2	2	3	3
5	SV09434	GARNITURE DE LAMPE	2	2	3	3
6	SV03435	THERMOSTAT HEAT SENTRY ^{MC}	1	1	1	1
7	SV08338	INTERRUPTEUR D'ÉCLAIRAGE	1	1	1	1
8	SV03501	COMMANDE DE VITESSE	1	1	1	1
9	SV08355	BOUTONS ÉCLAIRAGE ET VENTILATEUR (2)	1	1	1	1
10	SV08343	FILTRES À CHARBON DE RECHANGE (PAIRE)	1	1	1	1
11	SV08344	SUPPORTS DE FILTRES À CHARBON (PAIRE)	1	1	1	1
12	SV08097	MOTEUR INTÉRIEUR (1 OU 2, SELON LE MODÈLE DE HOTTE)	1	1	2	2
13	SV17640	GOUTTIÈRE DE 30 PO	1	-	-	-
	SV17641	GOUTTIÈRE DE 36 PO	-	1	-	-
	SV17642	GOUTTIÈRE DE 42 PO	-	-	1	-
	SV17643	GOUTTIÈRE DE 48 PO	-	-	-	1
14	SV08337	RESSORT POUR FILTRE (6)	1	1	1	1
15	SV17600	FILTRE À CHICANE 8,84 PO X 9,80 PO	2	-	2	-
	SV17603	FILTRE À CHICANE 11,84 PO X 9,80 PO	1	3	2	4
16	SV08339	INTERRUPTEUR À BASCULE DU VENTILATEUR	1	1	1	1
17	SV08093	ENSEMBLE DE LAMPE TÉMOIN	1	1	1	1
18	SV07680	POIGNÉE DE FILTRE À CHICANE AVEC VIS	3	3	4	4
*	SV08342	CONDENSATEUR 25 µF	1	1	1	1
*	SV08341	GUIDE D'INSTALLATION	1	1	1	1
*	SV08353	SAC DE PIÈCES : 2 CAPUCHONS DE CONNEXION, 9 VIS N° 8 X 1/2 PO, 8 VIS À MÉTAUX N° 8-32 X 1/4 PO, 1 SERRE-FILS, 4 VIS N° 8 X 3/8 PO	1	1	1	1

* NON ILLUSTRÉE

N° RÉF.	PIÈCE N°	DESCRIPTION	Qté (LARGEUR DE HOTTE)			
			30 PO	36 PO	42 PO	48 PO
2	SV06750	LOGO BROAN ELITE	1	1	1	1
3	SV05917	DOUILLE	2	2	3	3
4	SV09435	SUPPORT DE DOUILLE	2	2	3	3
5	SV09434	GARNITURE DE LAMPE	2	2	3	3
6	SV03435	THERMOSTAT HEAT SENTRY ^{MC}	1	1	1	1
7	SV08338	INTERRUPTEUR D'ÉCLAIRAGE	1	1	1	1
8	SV03501	COMMANDE DE VITESSE	1	1	1	1
9	SV08355	BOUTONS ÉCLAIRAGE ET VENTILATEUR (2)	1	1	1	1
13	SV17640	GOUTTIÈRE DE 30 PO	1	-	-	-
	SV17641	GOUTTIÈRE DE 36 PO	-	1	-	-
	SV17642	GOUTTIÈRE DE 42 PO	-	-	1	-
	SV17643	GOUTTIÈRE DE 48 PO	-	-	-	1
14	SV08337	RESSORT POUR FILTRE (6)	1	1	1	1
15	SV17600	FILTRE À CHICANE 8,84 PO X 9,80 PO	2	-	2	-
	SV17603	FILTRE À CHICANE 11,84 PO X 9,80 PO	1	3	2	4
16	SV08339	INTERRUPTEUR À BASCULE DU VENTILATEUR	1	1	1	1
17	SV08093	ENSEMBLE DE LAMPE TÉMOIN	1	1	1	1
18	SV07680	POIGNÉE DE FILTRE À CHICANE AVEC VIS	3	3	4	4
19	SV08354	PLAQUE VENTILATEUR 10 PO ROND	1	1	1	1
20	SV13923	CONNECTEUR FEMELLE	1	1	1	1
21	SV13924	CONNECTEUR MÂLE	1	1	1	1
*	SV08342	CONDENSATEUR 25 µF	1	1	1	1
*	SV08341	GUIDE D'INSTALLATION	1	1	1	1
*	SV08353	SAC DE PIÈCES : 2 CAPUCHONS DE CONNEXION, 9 VIS N° 8 X 1/2 PO, 8 VIS À MÉTAUX N° 8-32 X 1/4 PO, 1 SERRE-FILS, 4 VIS N° 8 X 3/8 PO	1	1	1	1

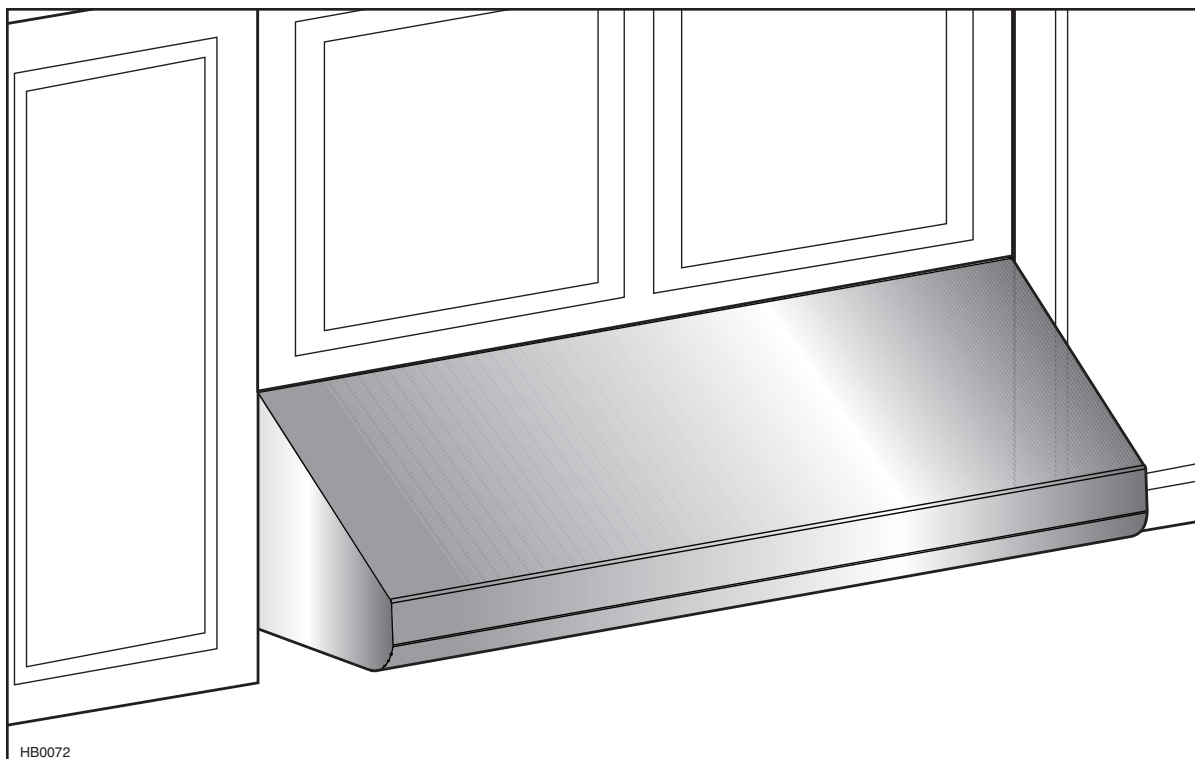
* NON ILLUSTRÉE

PIÈCES DE REMPLACEMENT ET SERVICE

Pour assurer le bon fonctionnement de votre appareil, vous devez toujours utiliser des pièces d'origine provenant de Broan-NuTone. Les pièces d'origine de Broan-NuTone sont spécialement conçues pour satisfaire toutes les normes de certification de sécurité applicables. Leur remplacement par des pièces ne provenant pas de Broan-NuTone pourrait ne pas assurer la sécurité de l'appareil, entraîner une réduction sévère des performances ainsi qu'un risque de défaillance prématurée. Broan-NuTone recommande également de toujours vous référer à une entreprise de services compétente et reconnue par Broan-NuTone pour vos pièces de remplacement et appels de service.

INSTRUCCIONES DE INSTALACIÓN

BROAN[®] *Elite*



HB0072

SERIE E64000

⚠ EXCLUSIVAMENTE PARA COCINAS DOMÉSTICAS ⚠

LEA ESTAS INSTRUCCIONES Y GUÁRDELAS

INSTALADOR: ENTREGUE ESTE MANUAL AL PROPIETARIO DE LA CASA.

PROPIETARIO: INFORMACIÓN SOBRE UTILIZACIÓN Y CUIDADO EN LAS PÁGINAS 45 Y 46.

Broan-NuTone LLC; Hartford, Wisconsin www.broan.com 800-558-1711

REGISTRE SU PRODUCTO EN LÍNEA EN: www.broan.com/register

SV08341 rev. 12

⚠️ ADVERTENCIA

PARA REDUCIR EL RIESGO DE INCENDIO, DESCARGA ELÉCTRICA O LESIÓN CORPORAL, RESPETE LAS SIGUIENTES INDICACIONES:

1. Utilice esta unidad únicamente de la forma en que indica el fabricante. Si tiene cualquier pregunta, póngase en contacto con el fabricante en la dirección o el teléfono que aparecen en la garantía.
2. Antes de reparar o limpiar el aparato, apáguelo en el tablero de servicio y bloquee los medios de desconexión para impedir que la corriente se conecte accidentalmente. Cuando no se pueda bloquear los medios de desconexión, coloque un dispositivo de advertencia visible (como una etiqueta) en el tablero de servicio.
3. La instalación y la conexión eléctrica deben ser realizadas por personal calificado de acuerdo con todos los códigos y normas aplicables, incluso los relativos a la construcción ignífuga.
4. Para lograr una combustión adecuada y una extracción correcta de los gases a través de la salida del humo (chimenea) del equipo quemador de combustible — evitando así el contratiempo— es necesario disponer de aire suficiente. Siga las directrices del fabricante del equipo de material térmico y las normas de seguridad, como las que publica la NFPA (asociación de protección contra los incendios) y la ASHRAE (sociedad estadounidense de técnicos de calefacción, refrigeración y aire acondicionado) así como los códigos de los organismos responsables locales.
5. Al cortar o perforar la pared o el techo, procure no dañar el cableado eléctrico ni otras instalaciones de servicios públicos.
6. Los ventiladores entubados siempre deben tener salida al exterior.
7. No utilice este aparato con un dispositivo de control de velocidad con semiconductores.
8. Para reducir el riesgo de incendio, utilice sólo tuberías metálicas.
9. Este aparato debe conectarse a tierra.
10. Cuando una reglamentación local esta en vigor y conlleva exigencias de instalación y/o de certificación más estrictas, susodichas exigencias prevalecen sobre aquellas en este documento y el instalador acepta someterse a estas exigencias a sus gastos.

PARA REDUCIR EL RIESGO DE QUE ARDA LA GRASA EN LA PARTE SUPERIOR DE LA COCINA:

- a) No deje nunca recipientes de cocina a fuego vivo sin vigilancia. Los desbordamientos producen humo y derrames grasientos que pueden inflamarse. Caliente el aceite despacio, a fuego lento o mediano.
- b) Ponga en marcha siempre la campana extractora al cocinar a temperaturas elevadas o al cocinar alimentos flameados (por ejemplo: crepas Suzette, cerezas jubilee, res con pimienta flambeada).
- c) Limpie los ventiladores con frecuencia. No deje que la grasa se acumule en el ventilador, ni en los filtros o en los conductos de evacuación.
- d) Utilice cacerolas de tamaño apropiado. Emplee siempre un recipiente adecuado para el tamaño de la placa.

⚠️ ADVERTENCIA

PARA REDUCIR EL RIESGO DE LESIONES CORPORALES EN EL CASO DE QUE ARDA LA GRASA EN LA PARTE SUPERIOR DE LA COCINA, SIGA ESTAS INDICACIONES*:

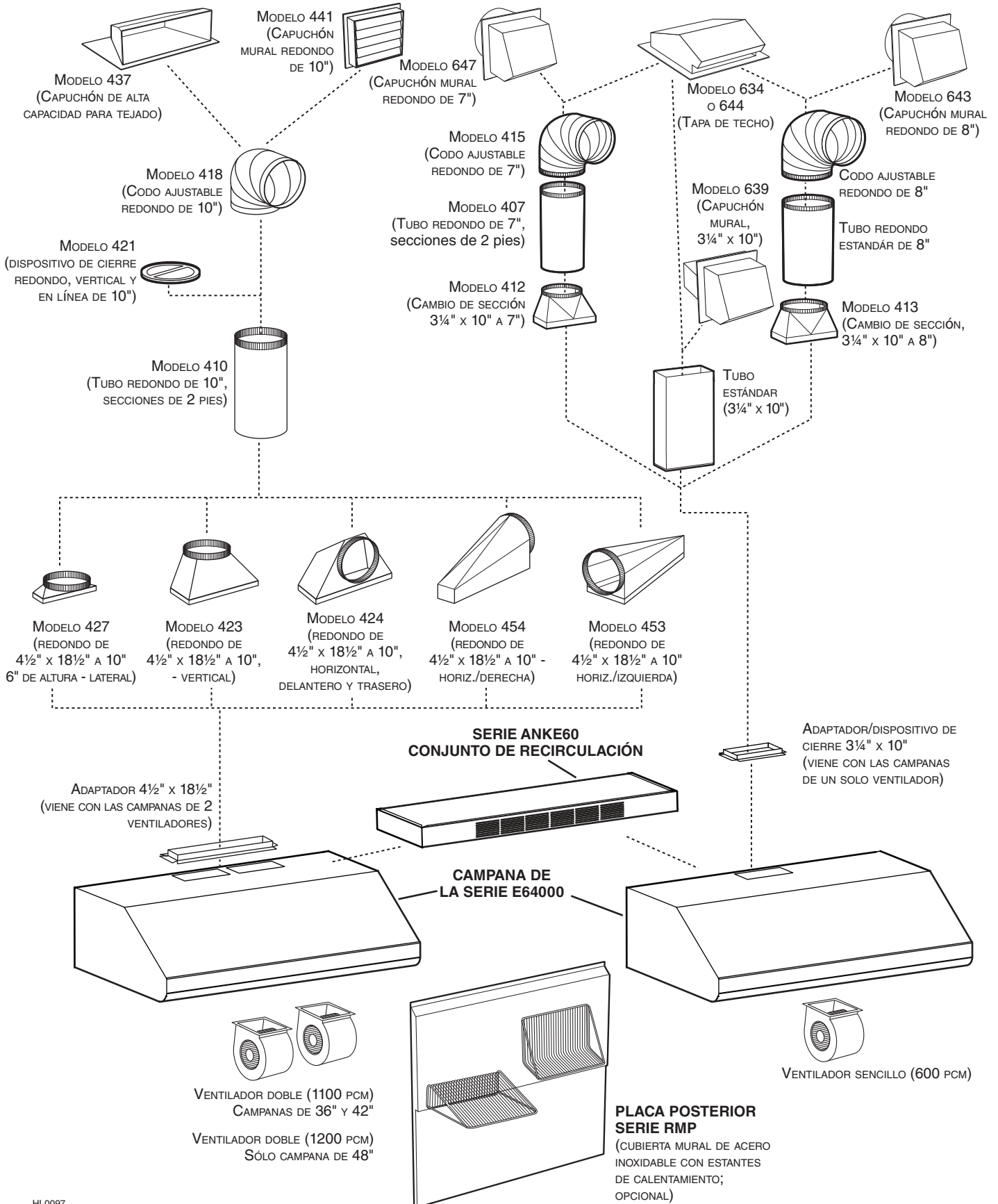
1. SOFOQUE LAS LLAMAS con una tapa ajustada, una hoja o bandeja metálica para hornear galletas, y apague luego el quemador. TENGA CUIDADO PARA EVITAR QUEMADURAS. SI LAS LLAMAS NO SE APAGAN INMEDIATAMENTE, EVACUE EL LUGAR Y LLAME A LOS BOMBEROS.
2. NO SUJETE NUNCA UNA SARTÉN EN LLAMAS ya que podría quemarse.
3. NO USE AGUA, ni trapos húmedos. Podría causar una violenta explosión de vapor.
4. Utilice un extintor SOLAMENTE si:
 - A. Tiene un extintor de tipo ABC y sabe usarlo.
 - B. El incendio es pequeño y está circunscrito a la zona donde empezó.
 - C. Ya ha llamado a los bomberos.
 - D. Puede tratar de apagar el fuego si dispone siempre de una salida detrás de usted.

* Fuente: "Kitchen Fire Safety Tips" publicado por la NFPA.

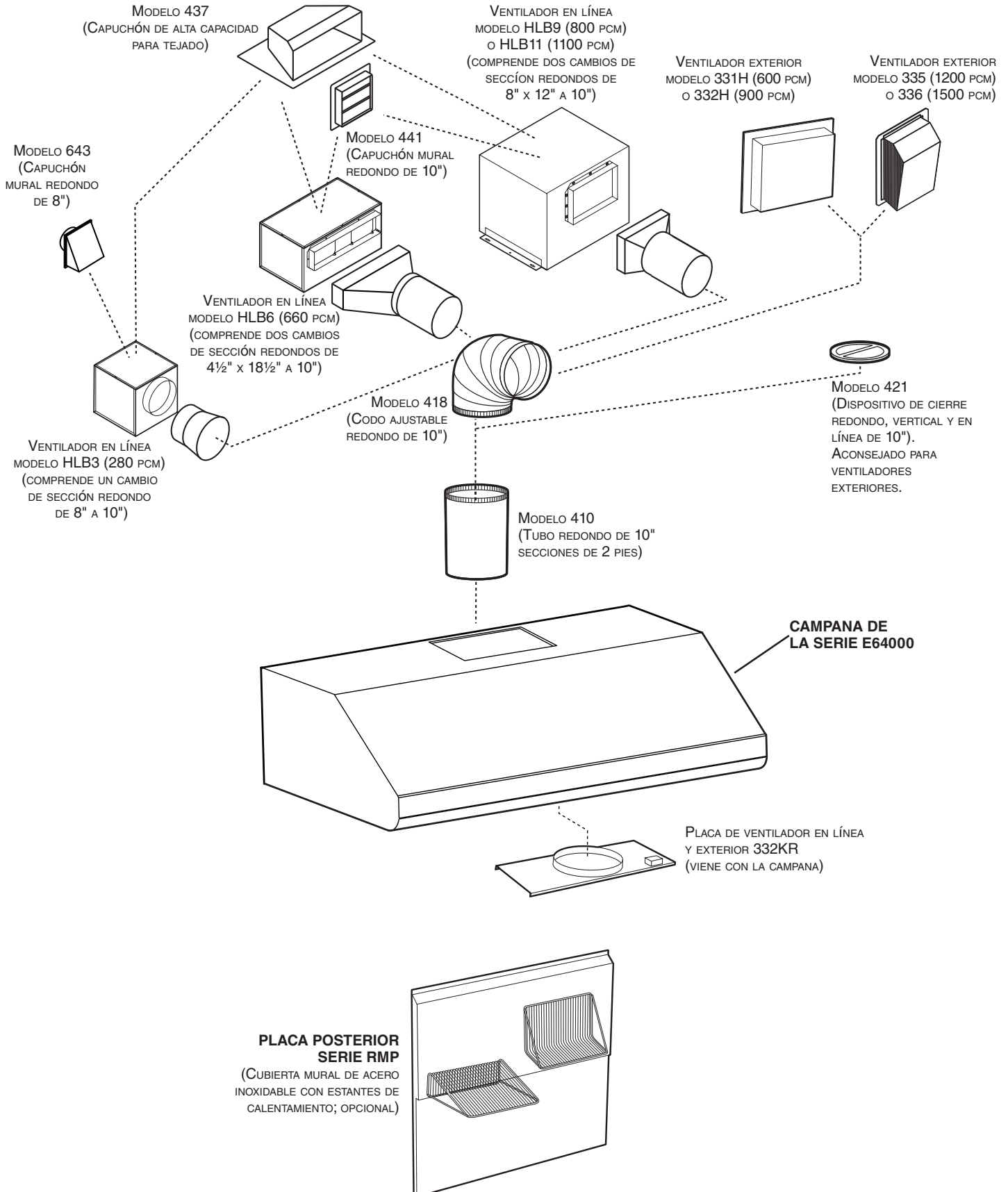
PRECAUCIÓN

1. Sólo para una utilización en el interior.
2. Sólo para ventilación general. No debe utilizarse para extraer materiales o vapores peligrosos o explosivos.
3. Para evitar daños en el cojinete del motor y que la hélice haga ruido o se desequilibre, mantenga la unidad de alimentación lejos de los vaporizadores de pirca, del polvo de la construcción, etc.
4. El motor de la campana tiene un dispositivo contra sobrecargas térmicas que apaga el motor automáticamente si éste se sobrecalienta. El motor volverá a ponerse en marcha cuando se enfríe. Si el motor sigue apagándose, haga examinar la campana.
5. Para que la campana capte bien las impurezas que se desprenden al cocinar, la distancia mínima entre la campana y la superficie de la cocina no debe ser inferior a 24 pulgadas ni superior a 30 pulgadas.
6. Dado el peso y el tamaño de esta campana, se aconseja que la instalen dos personas.
7. Para reducir los riesgos de incendio y extraer el aire debidamente, el aire debe evacuarse fuera. No extraiga el aire a espacios situados entre las paredes, en el techo o en el desván, falso techo o garaje.
8. Este producto está equipado con un termostato que puede poner en marcha el ventilador automáticamente. Para reducir el riesgo de que se produzcan daños y evitar poner en marcha la alimentación accidentalmente, apague la corriente en el tablero de servicio, bloquee este tablero o ponga una etiqueta de advertencia.
9. Dada la gran capacidad extractora de esta campana, debería asegurarse de que en la casa entra suficiente aire para sustituir el aire extraído. Utilice un dispositivo de circulación de aire o abra una ventana en la cocina o cerca de ella.
10. Para reducir el riesgo de incendio y de choque eléctrico, las campanas de la serie E64E de Broan Elite deben instalarse únicamente con un ventilador exterior de Broan modelo 331H, 332H, 335 o 336, o con un ventilador en línea de Broan modelo HLB3, HLB6, HLB9 o HLB11. No debe utilizar otros ventiladores. Los ventiladores exteriores o en línea se venden aparte.
11. Para mayor información y conocer los requisitos, lea la etiqueta con las especificaciones en el producto.
12. Usando en el modo sin conducto, para reducir el riesgo de incendio o de descarga eléctrica, los modelos de la serie E64E de Broan Elite sólo deben instalarse con el conjunto de recirculación sin conducto modelo ANKE60.

- CAMPANAS DE COCINA DE LA SERIE E64000 - VENTILADORES INTERIORES



- CAMPANAS DE COCINA DE LA SERIE E64000 - VENTILADORES EN LÍNEA Y EXTERIORES



1. SELECCIÓN DE LA OPCIÓN DE VENTILADOR Y DEL TIPO DE INSTALACIÓN

1.1 INSTALACIÓN SIN TUBOS

Para una instalación sin tubos, debe utilizarse un conjunto de recirculación de la serie ANKE60 (se vende aparte). Para lograr la máxima eficacia, aconsejamos que se instale este conjunto con una campana de un solo ventilador (interior). Este conjunto se adapta a las campanas de 30 a 48 pulgadas de ancho. Véanse las instrucciones de instalación que vienen en el conjunto para instalación sin tubos de la serie ANKE60.

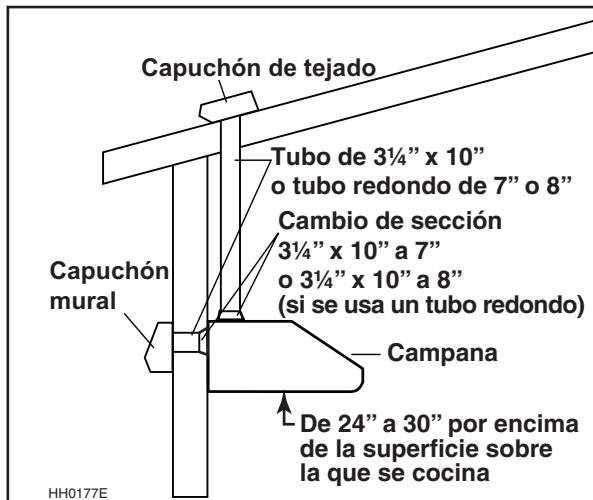
1.2 INSTALACIÓN CON TUBOS

Las campanas de la serie E64000 de Broan Elite se ofrecen con diversas configuraciones: campanas con uno o dos ventiladores interiores (incluidos en la campana), o campanas con ventiladores exteriores. En el caso de esta última categoría, la campana de la serie E64000 debe instalarse únicamente con los ventiladores en línea modelos HLB3, HLB6, HLB9 o HLB11, o con los modelos exteriores 331H, 332H, 335 o 336. No utilice otros ventiladores. Los ventiladores se venden aparte. Prevea el lugar y la forma en que instalará las tuberías.

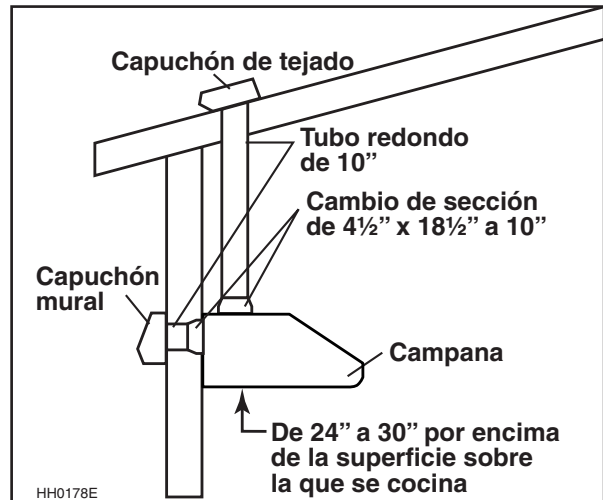
Si instala un ventilador en línea, consulte las instrucciones que vienen con él y siga las etapas 1, 2, 3, 4, 10 y posteriores de este manual.

Instale tuberías, codos y capuchones para tejado o murales del tamaño adecuado para el tipo de ventilador que vaya a poner. Si emplea tubos redondos de 7", 8" o 10", use también un cambio de sección (sólo para los ventiladores interiores). Utilice cinta para tubos de 2" para sellar las juntas de los tubos.

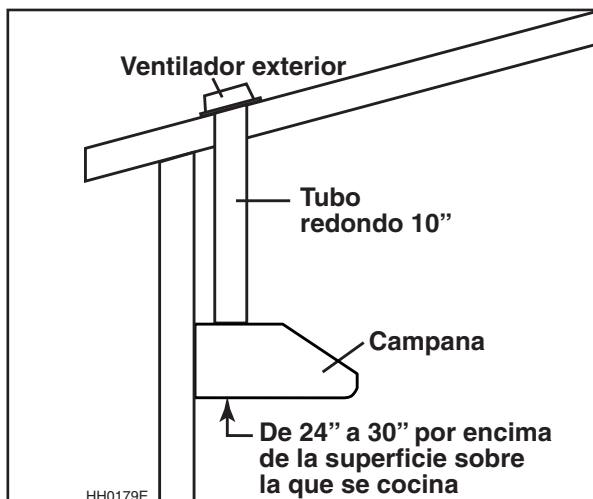
Para un funcionamiento adecuado, la campana ha de estar a una distancia mínima de 24 pulgadas con respecto a la superficie sobre la que se cocina, y a una máxima de 30 pulgadas para que pueda captar bien las impurezas que se desprenden al cocinar. Las distancias superiores a 30 pulgadas quedan a discreción del instalador y de los usuarios.



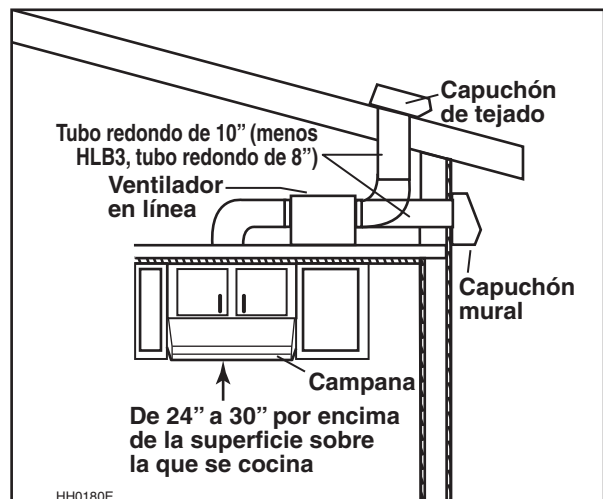
**INSTALACIÓN HABITUAL
CON UN VENTILADOR INTERIOR**



**INSTALACIÓN HABITUAL
CON DOS VENTILADORES INTERIORES**



**INSTALACIÓN HABITUAL DE LOS
TUBOS CON LOS VENTILADORES
EXTERIORES 331H, 332H, 335 O 336**



**INSTALACIÓN HABITUAL DE LOS
TUBOS CON LOS VENTILADORES
EN LÍNEA HLB3, HLB6, HLB9 O HLB11**

2. PREPARACIÓN DE LA INSTALACIÓN

⚠ ADVERTENCIA

Al instalar, reparar o limpiar el aparato se aconseja el uso de lentes y guantes de seguridad.

NOTA: Antes de comenzar la instalación, verificar el contenido de la caja. Si alguna pieza falta o está dañada, póngase en contacto con el fabricante.

Compruebe que la campana venga con los siguientes componentes:

- Campana
- Accesorios:
 - Filtros con manijas: las campanas de 30 y 36 pulgadas vienen con 3 filtros; las de 42 y 48 pulgadas con 4 filtros
 - Adaptador y dispositivo de cierre de 3¼" x 10" (viene con la campana con un solo ventilador interior)
 - Adaptador de 4½" x 18½" (viene atornillado en la campana con dos ventiladores interiores)
 - Placa para ventilador en línea y exterior modelo 332KR (instalada dentro de todas las campanas con ventiladores exteriores o en línea)
 - Bolsa con piezas:
 - 1 abrazadera de hilos, 9 tornillos n.º 8 x 1/2", 2 conectores de hilos, 8 tornillos n.º 8-32 x 1/4", 4 tornillos n.º 8 x 3/8"

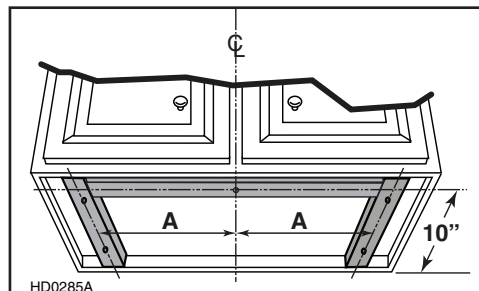
Piezas vendidas aparte:

- Conjunto de ventilador en línea HLB3, HLB6, HLB9 o HLB11 (todos llevan cambio de sección)
- Conjunto de ventilador exterior 331H, 332H, 335 o 336
- Bombillas halógenas protegidas de 120 V, tipo GU10, 50 W máx. (2 para las campanas de 30" y 36" de anchura, 3 para las de 42" y 48" de anchura)
- Placa posterior de la serie RMP (opcional)
- Conjunto de recirculación de la serie ANKE60, obligatorio para las instalaciones sin tubos (modelos con ventiladores incorporados únicamente)
- Cambios de sección, tubos, codos, dispositivos de cierre, capuchones murales y para techos

En las páginas 35 y 36 encontrará una lista completa de las opciones de ventilación y los números de modelo.

- NOTAS:
1. Si la parte inferior del armario está empotrada, instale tres tiras de madera (no incluidas) cortadas a medida en cada lado, como se ve en la ilustración de abajo. Véase la ilustración y la tabla de abajo para saber dónde ubicar las tiras de madera.
 2. Para las campanas con ventiladores exteriores o en línea, no instale la tira de madera transversal.

ANCHURA DE LA CAMPANA	UBICACIÓN DEL CENTRO DE LA TIRA DE MADERA (A)
30"	13 3/8"
36"	16 3/8"
42"	19 3/8"
48"	22 3/8"



2. PREPARACIÓN DE LA INSTALACIÓN (CONTINUACIÓN)

SÓLO PARA INSTALACIONES CON TUBOS

Corte los orificios para el tubo (A) y el cable de alimentación (B) en el armario o en la pared, de conformidad con la dirección de la evacuación elegida. Véanse abajo las ilustraciones.

NOTA: Para todas las campanas con ventiladores interiores, el orificio para hacer pasar el cableado de la casa puede hacerse en la base del armario O en la pared, independientemente del tipo de evacuación que elija (horizontal o vertical).

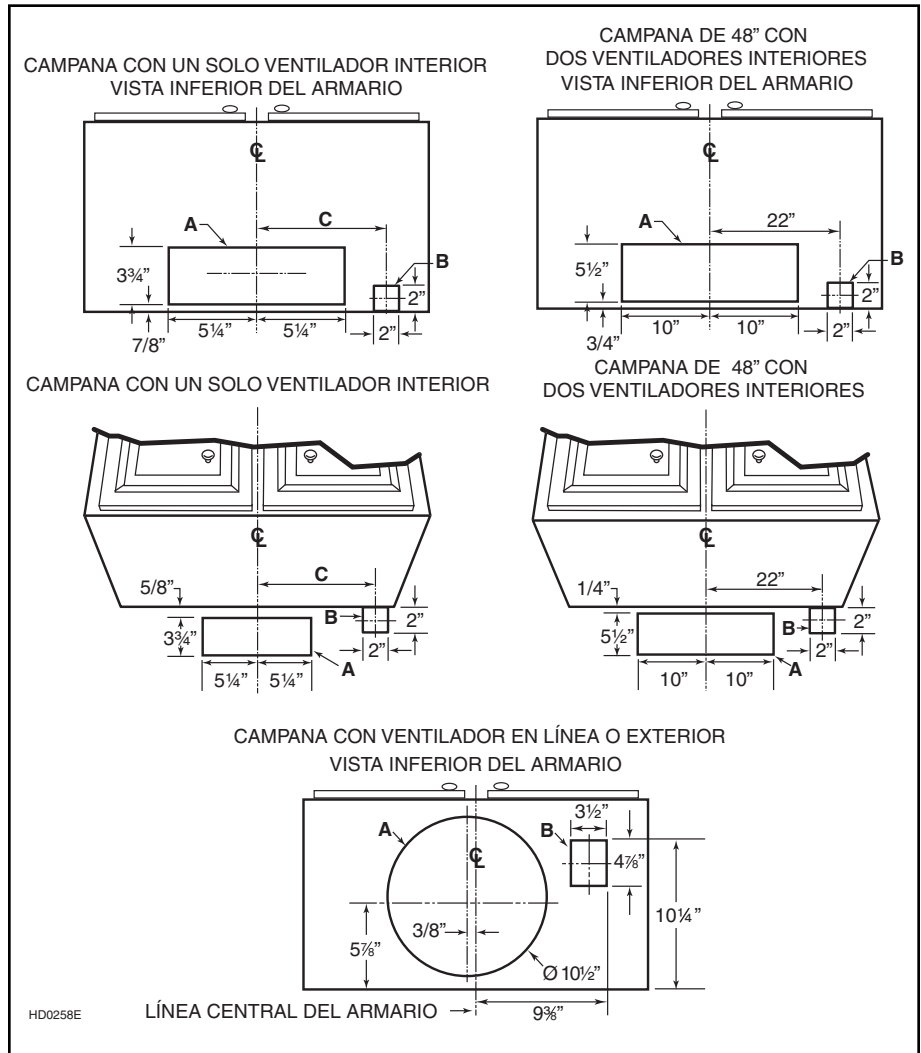
EVACUACIÓN VERTICAL

ANCHURA DE LA CAMPANA	DIMENSIÓN C
30 PULG.	13 PULG.
36 PULG.	16 PULG.
42 PULG.	19 PULG.
48 PULG.	22 PULG.

EVACUACIÓN HORIZONTAL

ANCHURA DE LA CAMPANA	DIMENSIÓN C
30 PULG.	13 PULG.
36 PULG.	16 PULG.
42 PULG.	19 PULG.
48 PULG.	22 PULG.

EVACUACIÓN VERTICAL SOLAMENTE

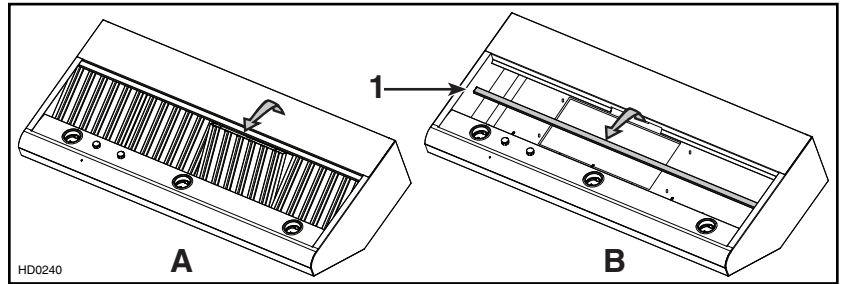


3. INSTALACIÓN DE LA PLACA POSTERIOR (OPCIONAL)

La placa posterior debe instalarse antes que el exterior de la campana porque dicho exterior cubre los tornillos superiores de instalación de la placa. Para poder instalar la placa posterior, compruebe que hay un espacio de 18" al menos entre la parte inferior de la campana y el tablero de control o superficie de cocción de la cocina (véanse las instrucciones que vienen con la placa posterior).

4. DESMONTAJE DE LOS FILTROS Y DEL RIEL DE VERTIDO DE LA GRASA

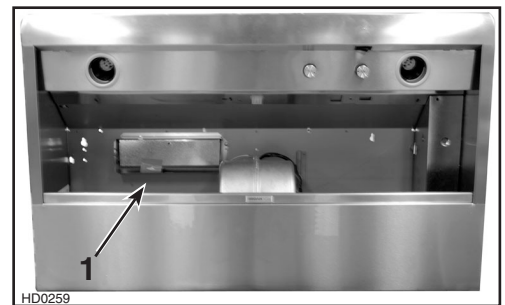
- A. Retire la cinta de los filtros.
Retire los filtros de la campana y póngalos a un lado.
NOTA: Se aconseja empezar por los del medio.
- B. Retire la cinta del riel de vertido de la grasa (1).
Saque el riel y póngalo a un lado.



5. DESMONTAJE DEL ADAPTADOR (CAMPANAS CON VENTILADOR INTERIOR ÚNICAMENTE)

CAMPANAS CON UN SOLO VENTILADOR

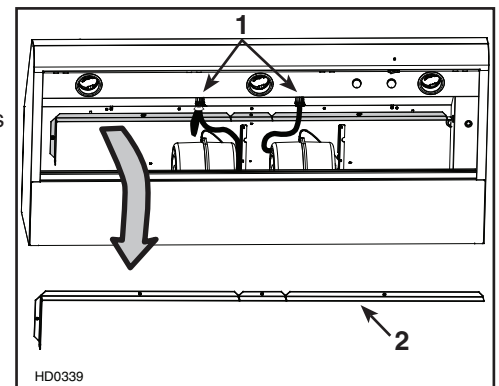
Retire los tornillos que sujetan el adaptador y dispositivo de cierre (1) a la parte superior interior de la campana.



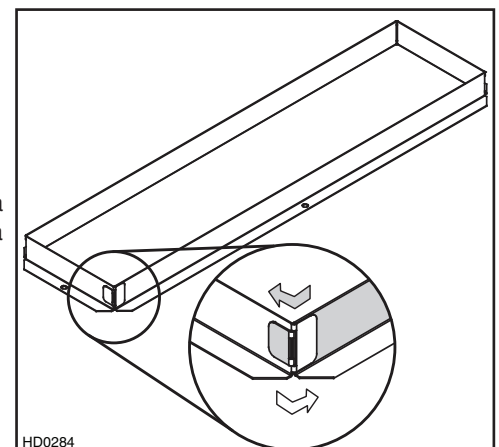
CAMPANAS CON DOS VENTILADORES

En primer lugar, desenchufe los motores (1) de los ventiladores antes de quitar los 3 tornillos que sujetan el adaptador (2) a la parte superior interior de la campana.

NOTA: El adaptador de la campana con dos ventiladores es expedido desplegado. Vease al lado.



Doble el adaptador e introduzca la parte macho (parte gris de la ilustración) en la hembra (parte blanca de la ilustración). A continuación, doble cada extremo macho y hembra para acabar de montar el adaptador.



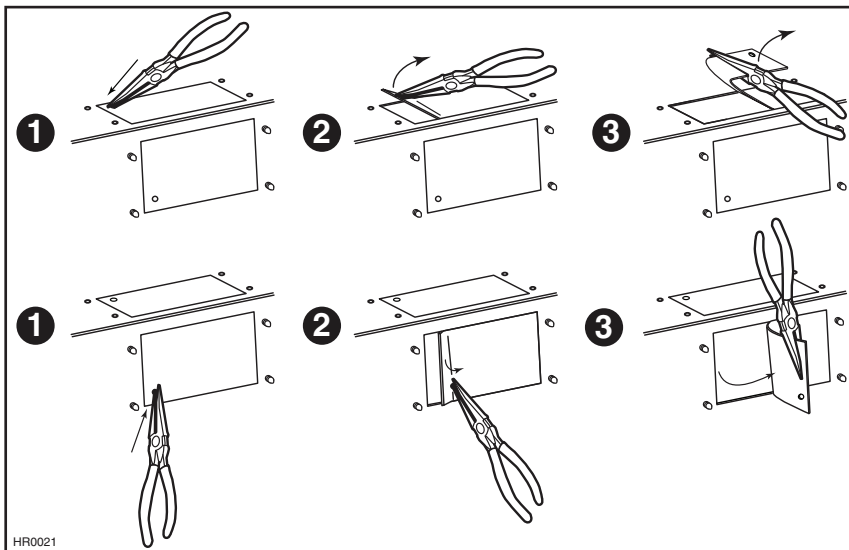
6. ELECCIÓN DE LOS ORIFICIOS (VENTILADORES INTERIORES ÚNICAMENTE)

Retire las piezas que cubren los orificios elegidos (en la parte posterior de la campana para el orificio horizontal, o en la parte superior para el orificio vertical). Véanse las ilustraciones al lado.

EVACUACIÓN VERTICAL

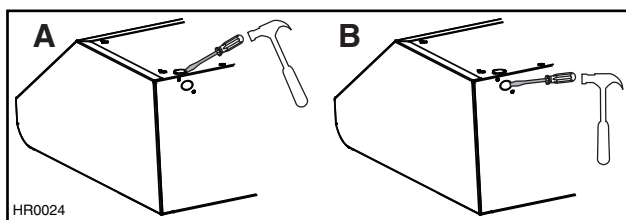
EVACUACIÓN HORIZONTAL

NOTA: Sólo para las instalaciones con tubos.



Perfore el orificio apropiado en la parte superior (A) o posterior (B) de la campana. Instale la abrazadera de hilos (viene en la bolsa de piezas).

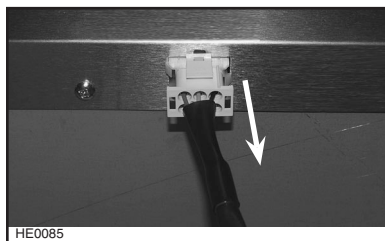
NOTA: Para una instalación sin tubos, perfore el orificio eléctrico posterior (B).



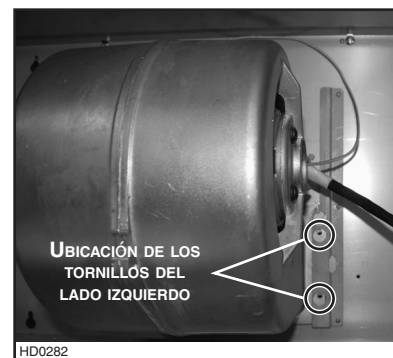
7. INSTALACIÓN DE LA EVACUACIÓN HORIZONTAL (VENTILADORES INTERIORES ÚNICAMENTE)

Todas las campanas con ventiladores interiores se envían de fábrica con los ventiladores instalados para evacuación vertical. Para una configuración de evacuación horizontal, desmonte el ventilador o ventiladores desde la parte superior interior de la campana e instálelos en el tablero trasero de la campana. El procedimiento siguiente se aplica a las campanas con uno o dos ventiladores.

Desenchufe el ventilador.

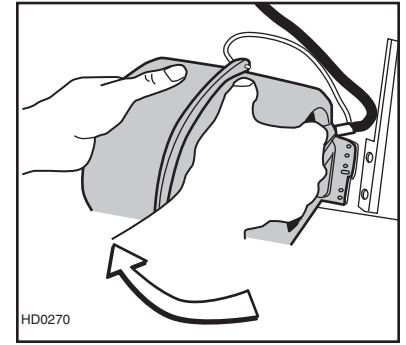


Utilice una llave tubular de 5/16" para retirar todos los tornillos de montaje del ventilador desde la parte superior interior de la campana. Conserve los tornillos porque los necesitará.

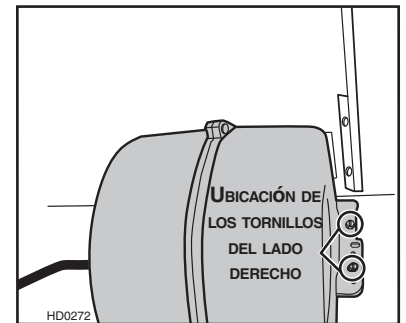
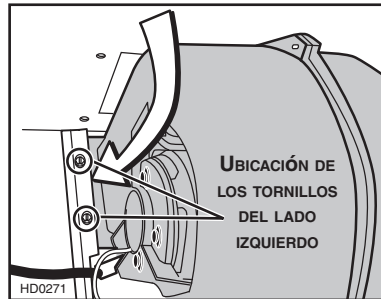


7. INSTALACIÓN DE LA EVACUACIÓN HORIZONTAL (VENTILADORES INTERIORES ÚNICAMENTE) (CONTINUACIÓN)

Deslice el ventilador para desprender su reborde del soporte de retención.

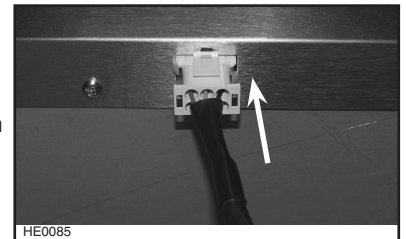


Voltee el ventilador e introduzca su reborde en el soporte de retención de la pared posterior. Utilice una llave tubular de 5/16" y los tornillos que retiró anteriormente para sujetar el motor a la campana.



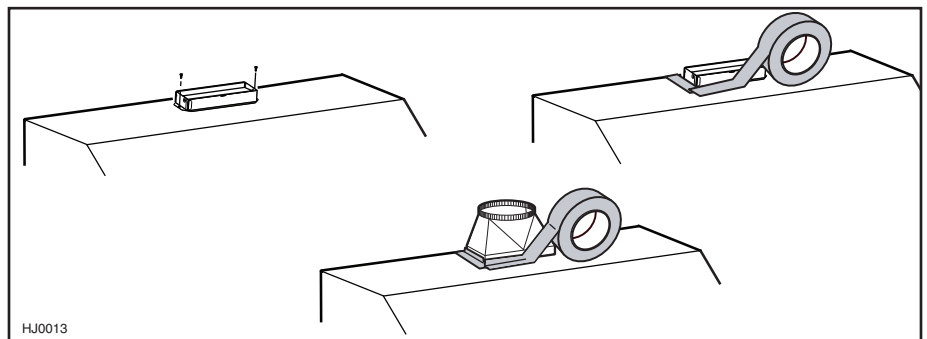
Enchufe el ventilador.

NOTA PARA LAS CAMPANAS CON DOS MOTORES ÚNICAMENTE: Corte la sujeción autobloqueante de plástico en el cable derecho del ventilador.



8. INSTALACIÓN DEL ADAPTADOR Y DEL CAMBIO DE SECCIÓN (DE SER NECESARIO) (CAMPANA CON VENTILADOR INTERIOR ÚNICAMENTE)

Utilice los tornillos estándar de 3/8" provistos para sujetar el adaptador a la parte superior (o trasera) de la campana (2 tornillos para un adaptador y dispositivo de cierre de 3¼" x 10" y 4 tornillos para un adaptador de 4½" x 18½"). Selle el adaptador con la campana con cinta adhesiva metálica para tubos. Cuando se trate de tubos redondos, instale un cambio de sección apropiado y selle las juntas con cinta adhesiva metálica para tubos.

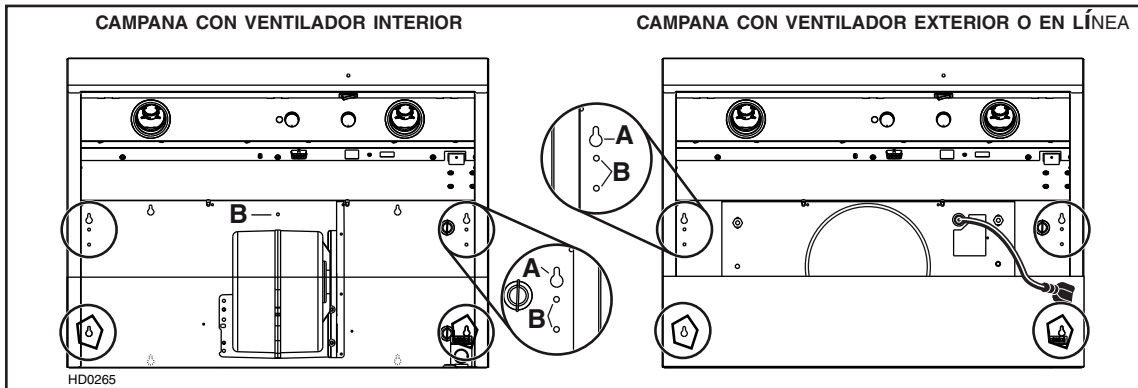


9. INSTALACIÓN DEL CONJUNTO DE RECIRCULACIÓN ANKE60 (INSTALACIÓN SIN TUBOS ÚNICAMENTE)

Para mayor información, consulte la hoja de instrucciones que viene con el conjunto de recirculación.

10. INSTALACIÓN DE LA CAMPANA (TODOS LOS VENTILADORES)

VENTILADORES INTERIORES: Lleve el cable de alimentación hasta el lugar de la instalación. Coloque la campana en su lugar. Marque con un lápiz el lugar de los tornillos (parte más pequeña de los agujeros [A]). Retire la campana e instale los 4 tornillos de doble rosca de 1/2" en los lugares marcados dejando un espacio de 1/8". Retire la tapa de conexiones. Introduzca el cable en la campana a través de la abrazadera de hilos y apriete la abrazadera para sujetar el cable. Coloque la campana debajo del armario, en su lugar correspondiente. Compruebe que el adaptador (o el cambio de sección) entra en la tubería. Sujete la campana apretando los tornillos completamente. Instale los últimos tornillos de doble rosca de 1/2" en los orificios restantes [B].



VENTILADOR EXTERIOR O EN LÍNEA: Lleve el cable de alimentación hasta el lugar de la instalación. Coloque la campana en su lugar. Marque con un lápiz el lugar de los tornillos (parte más pequeña de los agujeros [A]). Retire la campana e instale los 4 tornillos de doble rosca de 1/2" en los lugares marcados dejando un espacio de 1/8". Retire la tapa de conexiones en la parte superior de la campana, perfora el orificio ciego eléctrico e instale la abrazadera de hilos. Introduzca el cable en la campana a través de la abrazadera de hilos y apriete la abrazadera para sujetar el cable. Conecte el cableado (véanse las instrucciones que vienen con el ventilador exterior o en línea). Coloque la campana debajo del armario, en su lugar correspondiente. Compruebe que el adaptador (o el cambio de sección) entra en la tubería. Sujete la campana apretando los tornillos completamente. Instale los últimos tornillos de doble rosca de 1/2" en los orificios restantes [B].

11. CONEXIÓN DEL CABLEADO (TODOS LOS VENTILADORES)

⚠ ADVERTENCIA

Riesgo de choque eléctrico. La conexión eléctrica debe hacerla personal calificado con arreglo a los códigos normas en vigor. Antes de conectar los hilos, corte la alimentación en el tablero de servicio y bloquee los medios de desconexión para impedir que la corriente se conecte accidentalmente.

Retire la tapa del cableado de la placa del ventilador o del compartimento eléctrico y póngala a un lado.

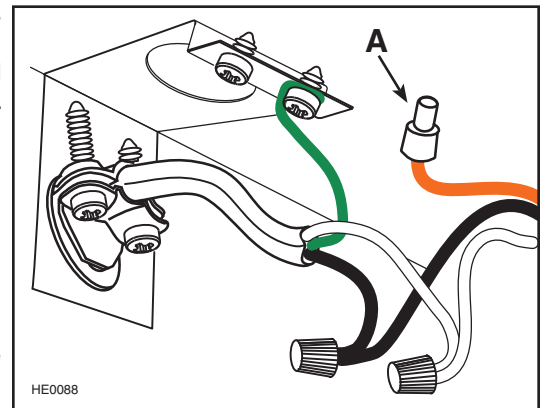
VENTILADORES INTERIORES: Conecte el cable en la caja de conexiones con los conectores de hilos. Conecte el hilo NEGRO con el NEGRO, el BLANCO con el BLANCO y el VERDE o desnudo con el tornillo de tierra VERDE.

PRECAUCIÓN

El hilo NARANJA (A) es sólo para la conexión del dispositivo de circulación de aire. Si dicho dispositivo no existiera, no quite el capuchón del extremo del hilo NARANJA.

Vuelva a instalar la tapa del cableado.

VENTILADORES EN LÍNEA O EXTERIORES: Consulte las instrucciones que vienen con el ventilador.

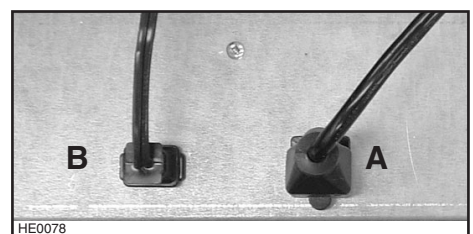


12. INSTALACIÓN DEL VENTILADOR (CAMPANA CON VENTIL. EXTERIOR O EN LÍNEA)

Consulte las instrucciones que vienen con el ventilador para su instalación. Una vez el ventilador instalado, conecte el cable con enchufe de 3 patillas que sale de la placa del ventilador en el conector macho de 3 patillas que hay dentro de la campana (A) y el cable con el conector macho de 2 patillas que sale de la placa del ventilador en el enchufe de 2 patillas que hay dentro de la campana (B).

⚠ ADVERTENCIA

NO enchufe los dos cables uno con otro.



13. INSTALACIÓN DE LAS BOMBILLAS

Esta campana debe utilizar bombillas halógenas protegidas de 120 V, 50 W máx., de tipo GU10 o PAR16 (no incluidas). (2 para las campanas de 30" y 36" de anchura, 3 para las de 42" y 48" de anchura.)

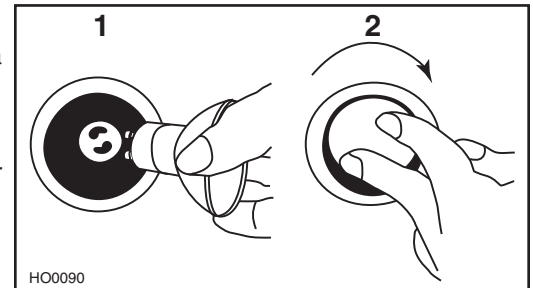
⚠ ADVERTENCIA

No tocar las bombillas durante o justo después de la utilización. Pueden causar quemaduras. Para prevenir el riesgo de lesiones corporales, instale solamente bombillas halógenas protegidas. Nunca instalar una bombilla dicróica o no concebida para luminarias empotradas o bombillas identificadas sólo para uso en dispositivos encerrados.

1. Instale las bombillas colocándolas en las roscas del casquillo.
2. Empuje suavemente hacia arriba y gire en sentido horario hasta que la bombilla quede bien sujeta.

Para quitar las bombillas, empuje suavemente hacia arriba y gire en sentido antihorario para sacarlas de las roscas.

NOTA: De ser necesario, utilice un guante de goma para lavar los platos para sujetar mejor la bombilla al sacarla.

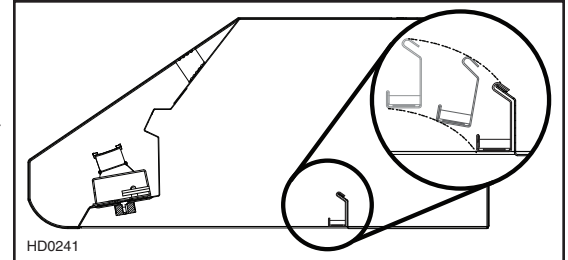


14. REINSTALACIÓN DEL RIEL DE VERTIDO DE LA GRASA Y DE LOS FILTROS

PRECAUCIÓN

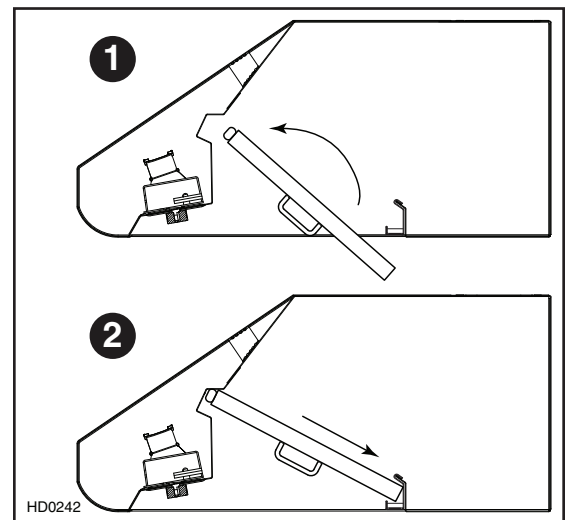
Antes de instalar los filtros, retire la película de plástico que los protege.

Vuelva a instalar el riel de vertido de la grasa. La ilustración de al lado muestra cómo introducir el riel en la campana.



Se aconseja instalar primero los filtros laterales y terminar por los centrales.

1. Introduzca un extremo del filtro en el canal superior de la campana.
2. Levante el otro extremo hacia el interior de la campana e introdúzcalo en el riel de vertido de la grasa de la campana.



19. INSTALACIÓN Y CUIDADO

Filtros

Los filtros deben limpiarse con frecuencia. Utilice una disolución de detergente con agua templada. Lávelos con mayor frecuencia si su tipo de cocina genera más grasa (alimentos fritos o cocina con wok).

Retire los filtros empujándolos hacia la parte trasera de la campana y girándolos hacia abajo. Las placas de los filtros pueden lavarse en el lavavajillas.

Deje que los filtros sequen completamente antes de volver a instalarlos en la campana.

Lave los filtros totalmente metálicos en el lavavajillas con un detergente sin fosfato. El filtro podría descolorarse si se utiliza un detergente con fosfato o debido al tipo de agua, pero ello no afectará el funcionamiento del filtro. La descoloración no está cubierta por la garantía.

Riel de vertido de la grasa

El riel debe limpiarse con frecuencia. Sáquelo de la campana y límpielo con una disolución de detergente con agua templada. Lávelo con mayor frecuencia si su tipo de cocina genera más grasa (alimentos fritos o cocina con wok). Deje que el riel seque completamente antes de volver a instalarlo en la campana.

Limpieza del ventilador (interior)

Retire los filtros para tener acceso al ventilador. Limpie el ventilador con un aspirador. No lo sumerja en agua.

Limpieza de la campana

Limpieza del acero inoxidable:

Debe hacerse:	No debe hacerse:
<ul style="list-style-type: none">- Limpiar regularmente las superficies con un trapo limpio o humedecido con una mezcla de agua templada y jabón suave o detergente para la vajilla.- Limpiar siempre en la dirección de las líneas originales de pulido del acero.- Enjuagar siempre con agua limpia (2 o 3 veces) después de limpiar. Seque completamente.- También puede utilizar un limpiador doméstico especial para acero inoxidable.	<ul style="list-style-type: none">- Utilizar un estropajo de acero o acero inoxidable u otro tipo de rasquetas para quitar la suciedad resistente.- Utilizar limpiadores fuertes o abrasivos.- Dejar que la suciedad se acumule.- Dejar que el polvo del yeso u otros residuos de la construcción manchen la campana. Si efectúa obras de construcción o renovación, cubra la campana para que no se manche la superficie de acero inoxidable.

Al escoger un detergente, evite:

- Los limpiadores que contienen blanqueador (lejía), ya que dañarán el acero inoxidable.
- Los productos que contengan cloruro, fluoruro, yoduro y bromuro, ya que deterioran las superficies rápidamente.
- Los productos combustibles que se emplean para la limpieza, como acetona, alcohol, éter, bencol, etc., ya que son altamente explosivos y nunca deberían estar cerca de una cocina.

16. FUNCIONAMIENTO

Encienda siempre la campana antes de empezar a cocinar para crear una corriente de aire en la cocina. Deje que el ventilador funcione unos minutos para que limpie el aire cuando haya apagado la cocina. De este modo su cocina estará más limpia y despejada.

TERMOSTATO HEAT SENTRY™

La campana viene equipada con un termostato HEAT SENTRY™. Se trata de un dispositivo que enciende o acelera el ventilador cuando detecta un calor excesivo sobre la superficie sobre la que se cocina.

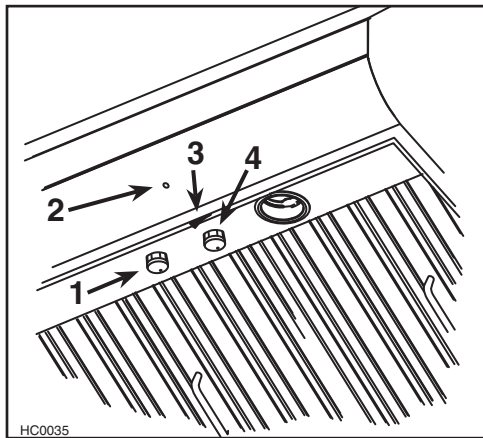
- 1) Si el ventilador está APAGADO, se pondrá en marcha en la velocidad ALTA.
- 2) Si el ventilador está ENCENDIDO en una velocidad baja, el termostato lo pondrá en la velocidad ALTA.

ADVERTENCIA

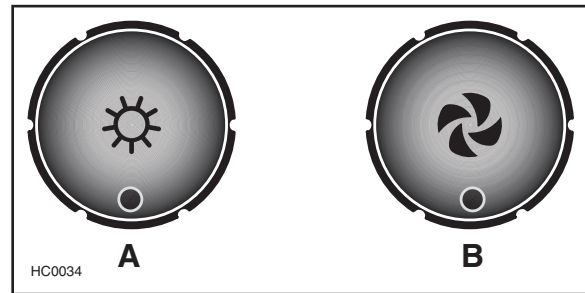
En el caso de fuego de cocción o durante un calor excesivo, el Heat Sentry puede poner en marcha el ventilador, incluso si este está apagado. En este caso, resulta imposible apagar el ventilador con su interruptor. Si tiene que apagar el ventilador, hágalo en el tablero eléctrico principal.

Cuando la temperatura baja al nivel normal, el ventilador vuelve a su configuración original.

16. FUNCIONAMIENTO (CONTINUACIÓN)



- 1) Botón de las luces halógenas
- 2) Indicador de funcionamiento del ventilador
- 3) Interruptor de encendido y apagado del ventilador
- 4) Botón de control de la velocidad del ventilador



- A) Botón de las luces halógenas
B) Botón de control de la velocidad del ventilador

ILUMINACIÓN DE LA SUPERFICIE DE COCCIÓN (LUCES HALÓGENAS)

El botón giratorio con 3 posiciones (1) controla las luces halógenas (apagado, baja intensidad y alta intensidad).

VENTILADOR

El ventilador funciona con dos mandos.

Utilice el interruptor de encendido y apagado (3) para poner en marcha y apagar el ventilador. Una vez encendido el ventilador, el indicador de funcionamiento (2) gira y el ventilador funciona a la velocidad que se haya seleccionado anteriormente con el control de velocidad (4).

Gire el botón de control de la velocidad en sentido horario para aumentar la velocidad del ventilador y en sentido antihorario para disminuirla.

17. GARANTÍA

GARANTÍA LIMITADA DE UN AÑO DE LOS PRODUCTOS BROAN ELITE

Broan-NuTone LLC (Broan NuTone) garantiza al consumidor comprador original de sus productos que dichos productos carecen de defectos en los materiales o de mano de obra por un período de un año a partir de la fecha de compra original. NO EXISTEN OTRAS GARANTÍAS, EXPRESAS O IMPLÍCITAS, INCLUYENDO —AUNQUE SIN LIMITARSE A ELLAS— LAS GARANTÍAS IMPLÍCITAS, DE APTITUD O IDONEIDAD PARA UN PROPÓSITO PARTICULAR.

Durante el período de un año, y a su propio criterio, Broan-NuTone reparará o reemplazará sin costo todo producto o pieza que se considere defectuosa en condiciones normales de servicio y uso.

ESTA GARANTÍA NO SE APLICA A LOS CEBADORES, TUBOS, BOMBILLAS HALÓGENAS Y INCANDESCENTES, A LOS FUSIBLES, FILTROS, TUBOS, CAPUCHONES PARA TEJADOS, CAPUCHONES MURALES Y OTROS ACCESORIOS DE CANALIZACIÓN. Esta garantía no cubre: a) el mantenimiento y servicios normales ni b) ningún producto o pieza mal utilizados o que hayan sido objeto de mal uso, negligencia, accidente, mantenimiento o reparación inadecuados (por compañías distintas a Broan-NuTone), instalación defectuosa, o instalación no conforme a las instrucciones de instalación recomendadas.

La duración de cualquier garantía implícita se limita a un periodo de un año, como se indica en la garantía expresa. Algunos estados no permiten limitaciones en cuanto al tiempo de expiración de una garantía implícita, por lo que la limitación antes mencionada puede que no se aplique en su caso.

LA OBLIGACIÓN DE BROAN-NUTONE DE REPARAR O REEMPLAZAR, CON ARREGLO A SU PROPIO CRITERIO, SERÁ EL ÚNICO RECURSO LEGAL DEL COMPRADOR CONFORME A ESTA GARANTÍA. BROAN-NUTONE NO SE HACE RESPONSABLE DE LOS DAÑOS ADICIONALES, CONSECUENTES O ESPECIALES QUE SURJAN O ESTÉN RELACIONADOS CON EL USO O EL RENDIMIENTO DEL PRODUCTO. Algunos estados no permiten la exclusión o limitación de daños adicionales o consecuentes, por lo que la limitación o exclusión antes mencionada puede que no se aplique en su caso.

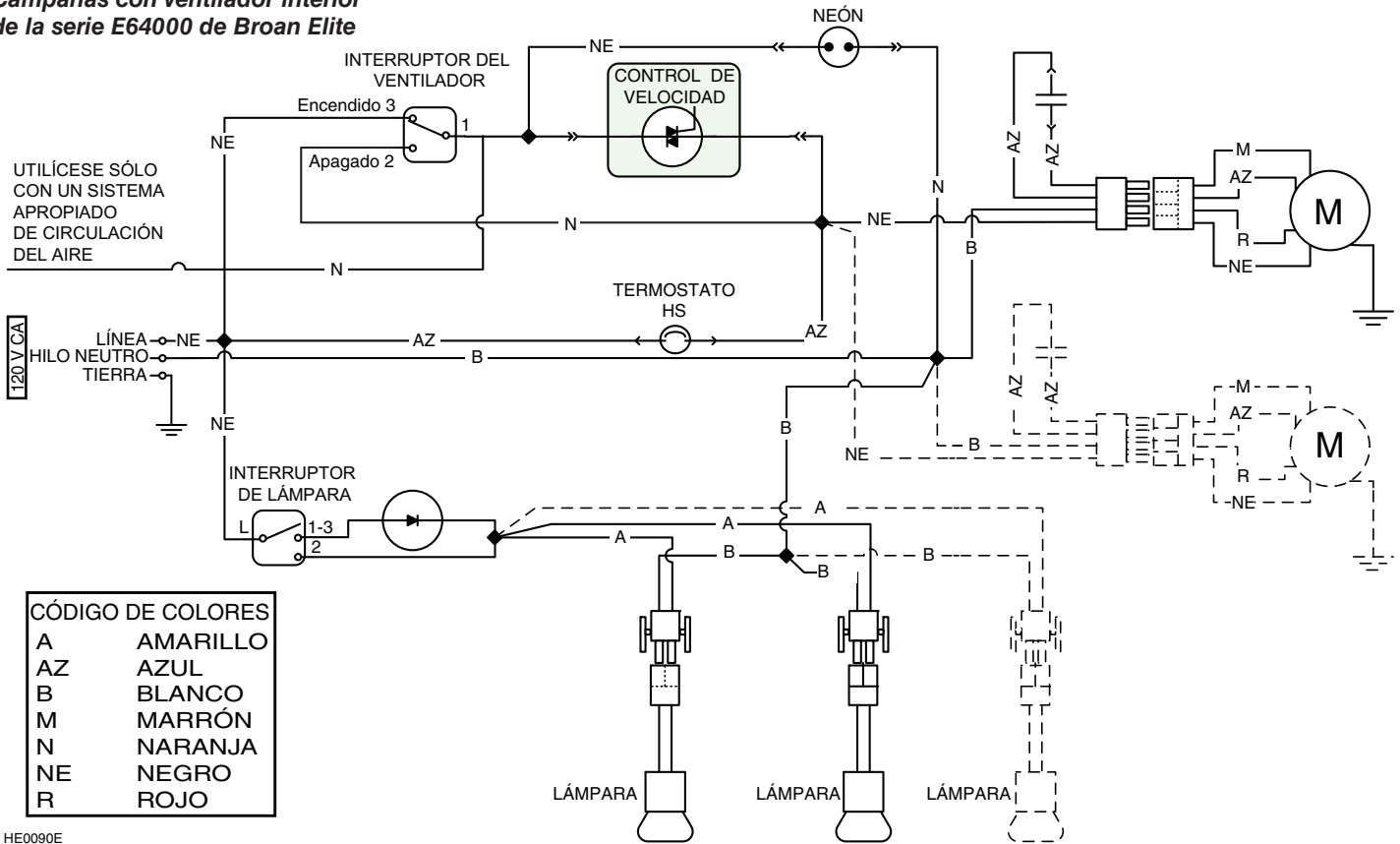
Esta garantía le proporciona derechos legales específicos, aunque usted también puede tener otros derechos, que varían de un estado a otro. Esta garantía reemplaza todas las garantías anteriores.

Para tener derecho al servicio de garantía, debe usted: a) Informar a Broan-NuTone, a una de las direcciones o teléfonos que aparecen abajo; b) Dar el número de modelo y el número de identificación de la pieza y (c) Describir el tipo de defecto en el producto o pieza. En el momento de solicitar un servicio cubierto por la garantía, deberá presentar una prueba de la fecha de compra original.

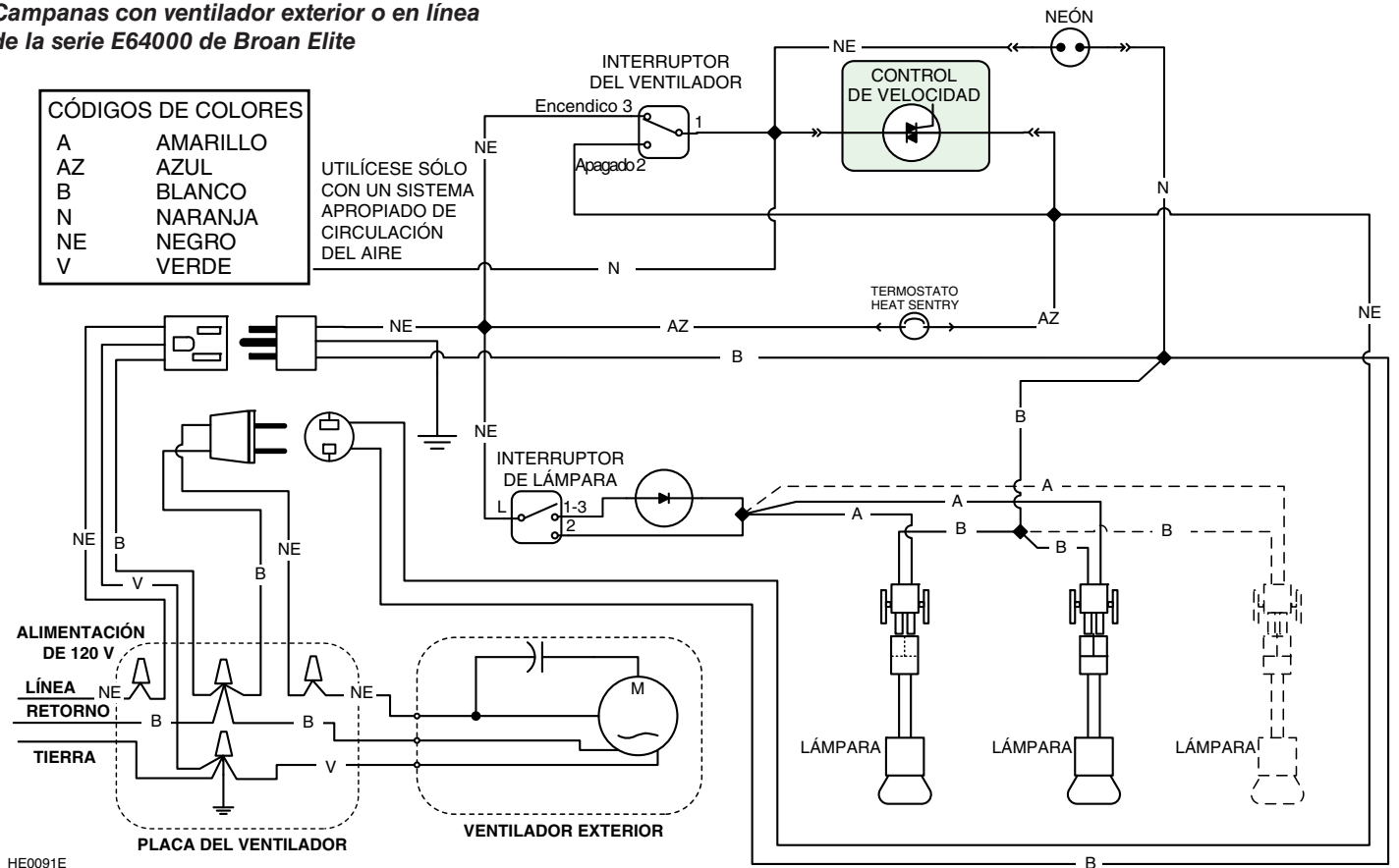
Broan-NuTone LLC; 926 W. State Street, Hartford, Wisconsin 53027 www.broan.com 800-558-1711

47. DIAGRAMAS ELÉCTRICOS

Campanas con ventilador interior de la serie E64000 de Broan Elite

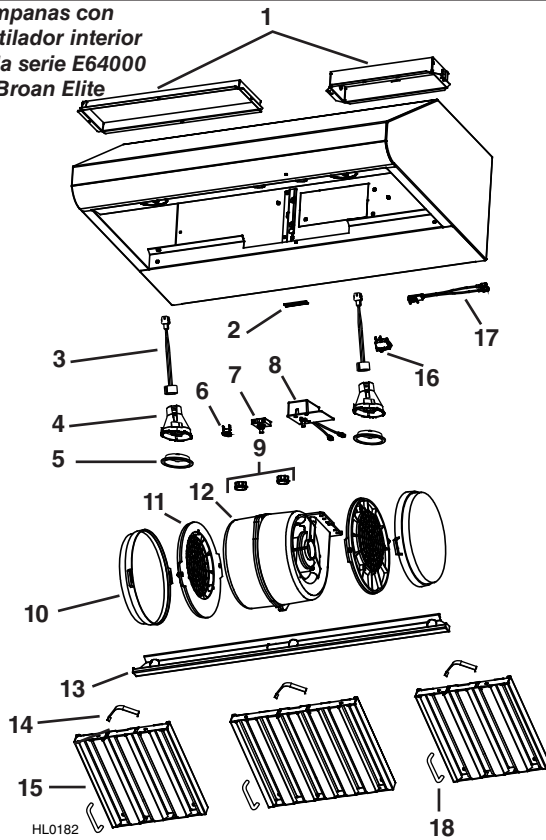


Campanas con ventilador exterior o en línea de la serie E64000 de Broan Elite

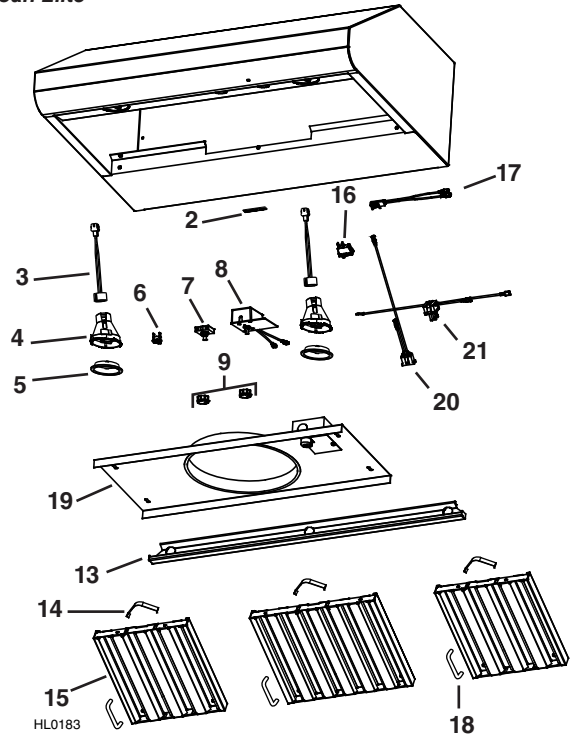


19. PIEZAS

Campanas con ventilador interior de la serie E64000 de Broan Elite



Campanas con ventilador exterior o en línea de la serie E64000 de Broan Elite



N.º	N.º DE PIEZA	DESCRIPCIÓN	CTD (ANCH. DE LA CAMPANA)			
			30"	36"	42"	48"
1	SV13296	ADAPTADOR/DISPOSITIVO DE CIERRE 3¼" x 10" (CAMPANA CON 1 VENTILADOR)	1	1	1	1
	SV17797	ADAPTADOR 4¼" x 18½" (CAMPANA CON 2 VENTILADORES)	1	1	1	1
2	SV06750	LOGO DE BROAN ELITE	1	1	1	1
3	SV05917	CUBIERTA DE LÁMPARA	2	2	3	3
4	SV09435	SOPORTE DE CUBIERTA DE LÁMPARA	2	2	3	3
5	SV09434	ANILLO	2	2	3	3
6	SV03435	TERMOSTATO HEAT SENTRY™	1	1	1	1
7	SV08338	INTERRUPTOR DE LUZ	1	1	1	1
8	SV03501	CONTROL DE LA VELOCIDAD	1	1	1	1
9	SV08355	BOTONES DEL VENT. Y DE LAS LUCES (2)	1	1	1	1
10	SV08343	FILTROS DE CARBÓN VEG. DE RECAMBIO (PAR)	1	1	1	1
11	SV08344	SOPORTES DE FILTROS DE CARBÓN VEG. (PAR)	1	1	1	1
12	SV08097	MOTOR INTERNO (1 o 2, SEGÚN EL MODELO DE CAMPANA)	1	1	2	2
13	SV17640	RIEL DE VERTIDO DE LA GRASA 30"	1	-	-	-
	SV17641	RIEL DE VERTIDO DE LA GRASA 36"	-	1	-	-
	SV17642	RIEL DE VERTIDO DE LA GRASA 42"	-	-	1	-
	SV17643	RIEL DE VERTIDO DE LA GRASA 48"	-	-	-	1
14	SV08337	RESORTES DE LOS FILTROS (6)	1	1	1	1
15	SV17600	FILTROS 8.84" x 9.80"	2	-	2	-
	SV17603	FILTROS 11.84" PO x 9.80"	1	3	2	4
16	SV08339	INTERRUPTOR OSCILANTE DEL VENTIL.	1	1	1	1
17	SV08093	CONJUNTO DE LA LÁMPARA PILOTO	1	1	1	1
18	SV07680	MANIJA DE FILTRO Y TORNILLOS	3	3	4	4
*	SV08342	CONDENSADOR 25 µF	1	1	1	1
*	SV08341	GUÍA DE INSTALACIÓN	1	1	1	1
*	SV08353	BOLSA DE PIEZAS : 2 CONECTADORES DE HILOS, 9 TORNILLOS N.º 8 x 1/2", 8 TORNILLOS MECÁNICOS N.º 8-32 x 1/4", 1 ABRAZADERA DE HILOS, 4 TORNILLOS N.º 8 x 3/8"	1	1	1	1

* NO SE MUESTRA



7 72371 10243 4

N.º	N.º DE PIEZA	DESCRIPCIÓN	CTD (ANCH. DE LA CAMPANA)			
			30"	36"	42"	48"
2	SV06750	LOGO DE BROAN ELITE	1	1	1	1
3	SV05917	CUBIERTA DE LÁMPARA	2	2	3	3
4	SV09435	SOPORTE DE CUBIERTA DE LÁMPARA	2	2	3	3
5	SV09434	ANILLO	2	2	3	3
6	SV03435	TERMOSTATO HEAT SENTRY™	1	1	1	1
7	SV08338	INTERRUPTOR DE LUZ	1	1	1	1
8	SV03501	CONTROL DE LA VELOCIDAD	1	1	1	1
9	SV08355	BOTONES DEL VENT. Y DE LAS LUCES (2)	1	1	1	1
13	SV17640	RIEL DE VERTIDO DE LA GRASA 30"	1	-	-	-
	SV17641	RIEL DE VERTIDO DE LA GRASA 36"	-	1	-	-
	SV17642	RIEL DE VERTIDO DE LA GRASA 42"	-	-	1	-
	SV17643	RIEL DE VERTIDO DE LA GRASA 48"	-	-	-	1
14	SV08337	RESORTES DE LOS FILTROS (6)	1	1	1	1
15	SV17600	FILTROS 8.84" x 9.80"	2	-	2	-
	SV17603	FILTROS 11.84" PO x 9.80"	1	3	2	4
16	SV08339	INTERRUPTOR OSCILANTE DEL VENTIL.	1	1	1	1
17	SV08093	CONJUNTO DE LA LÁMPARA PILOTO	1	1	1	1
18	SV07680	MANIJA DE FILTRO Y TORNILLOS	3	3	4	4
19	SV08354	PLACA DEL VENT., HUECO REDONDO DE 10"	1	1	1	1
20	SV13923	CONECTADOR HEMBRA	1	1	1	1
21	SV13924	CONECTADOR MACHO	1	1	1	1
*	SV08342	CONDENSADOR 25 µF	1	1	1	1
*	SV08341	GUÍA DE INSTALACIÓN	1	1	1	1
*	SV08353	BOLSA DE PIEZAS : 2 CONECTADORES DE HILOS, 9 TORNILLOS N.º 8 x 1/2", 8 TORNILLOS MECÁNICOS N.º 8-32 x 1/4", 1 ABRAZADERA DE HILOS, 4 TORNILLOS N.º 8 x 3/8"	1	1	1	1

* NO SE MUESTRA

SUSTITUCIÓN DE PIEZAS Y REPARACIÓN

Para que la unidad se conserve en buen estado, debe usar repuestos genuinos de Broan-NuTone únicamente. Estas piezas se han diseñado especialmente para cada unidad y se han fabricado conforme a las normas de certificación aplicables y un elevado nivel de seguridad. El uso de repuestos de otros fabricantes podría causar daños graves y reducir radicalmente el desempeño de la unidad, causando así fallas prematuras. Broan-NuTone también aconseja ponerse en contacto con un taller de reparación homologado por Broan-NuTone para todos los repuestos y reparaciones.