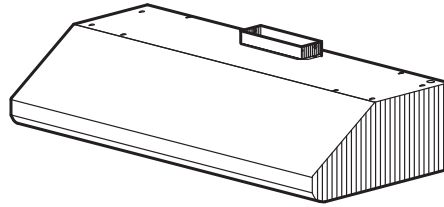


E64 SERIES RANGE HOOD



For domestic cooking only.

Styling is fresh and modern, yet designed to easily complement popular pro-style, high performance cooking products.

A complete installation requires several optional components. Refer to page 2 when planning your installation.

FEATURES

HOOD:

- Widths available - 30" to 48" in 6" increments
- Stainless steel, 22 gauge, type 430, no. 4 brush
- Stainless steel baffle filters with handles - easily accessible, dishwasher safe
- 2-level cooktop lighting (30" & 36" wide hoods = 2 lamps, 42" & 48" wide hoods = 3 lamps. Uses 50 W, GU10 halogen lamps. Bulbs not included.)
- Solid-state, variable speed blower control with speed memory
- Exclusive, Heat Sentry™ turns blower ON to HIGH speed when excess heat is detected
- 3¼" x 10" ducting - single blower (600 cfm)
- 4½" x 18½" ducting - dual blower (1200 cfm)
- Compatible with Broan Automatic Make-up Air Dampers - MD6T (6" duct), MD8T (8" duct)
- For indoor use only.

NON-DUCTED RECIRCULATING KIT:

ANKE60 Series (Optional)

- Stainless steel, 22 gauge, type 430, no. 4 brush
- Available for hood widths up to 48"
- Charcoal filters included
- Replacement charcoal filters:
- Service Part # SV08343 - round filter retail pack

BACKSPLASH:

RMP Series (Optional)

- Widths - 30" to 48" in 6" increments
- Stainless steel, 22 gauge, type 430, no. 4 brush - protects back wall and wipes clean easily
- Two, removable, dual position condiment storage shelves

SPECIFICATION:

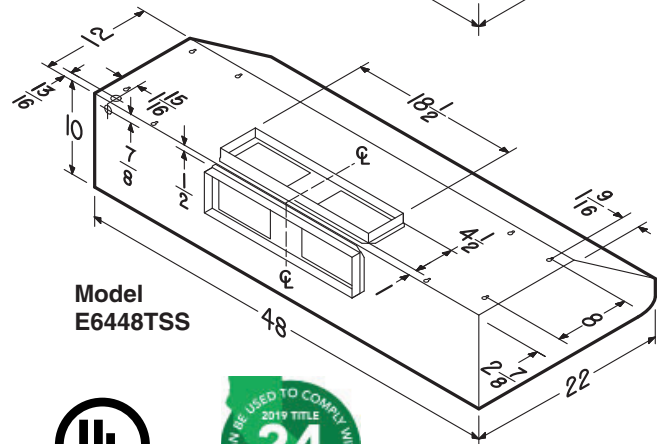
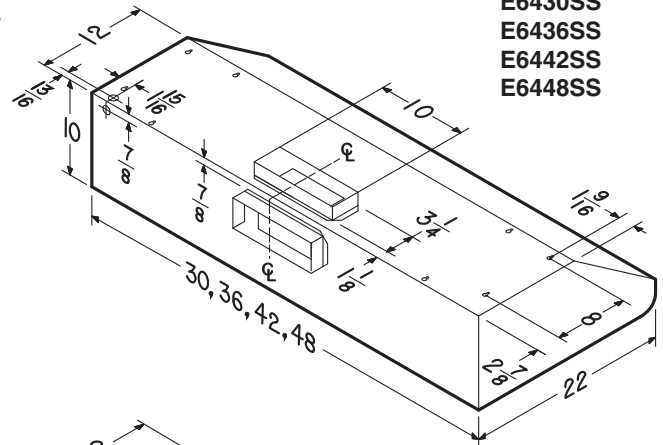
Single Blower

- Max. blower CFM*: 650
- 120 VAC, 60 Hz, 5.5 Amps
- 600 cfm, sound level no greater than 13 sones (high speed, vert. & horiz. discharge)
- See last page for HVI performance data.

Dual Blower

- Max blower CFM*: 1290
- 120 VAC, 60 Hz, 9.0 Amps
- 1200 cfm, sound level no greater than 14.5 sones (high speed, vert. & horiz. discharge)
- See last page for HVI performance data.

Models
E6430SS
E6436SS
E6442SS
E6448SS



Model
E6448TSS



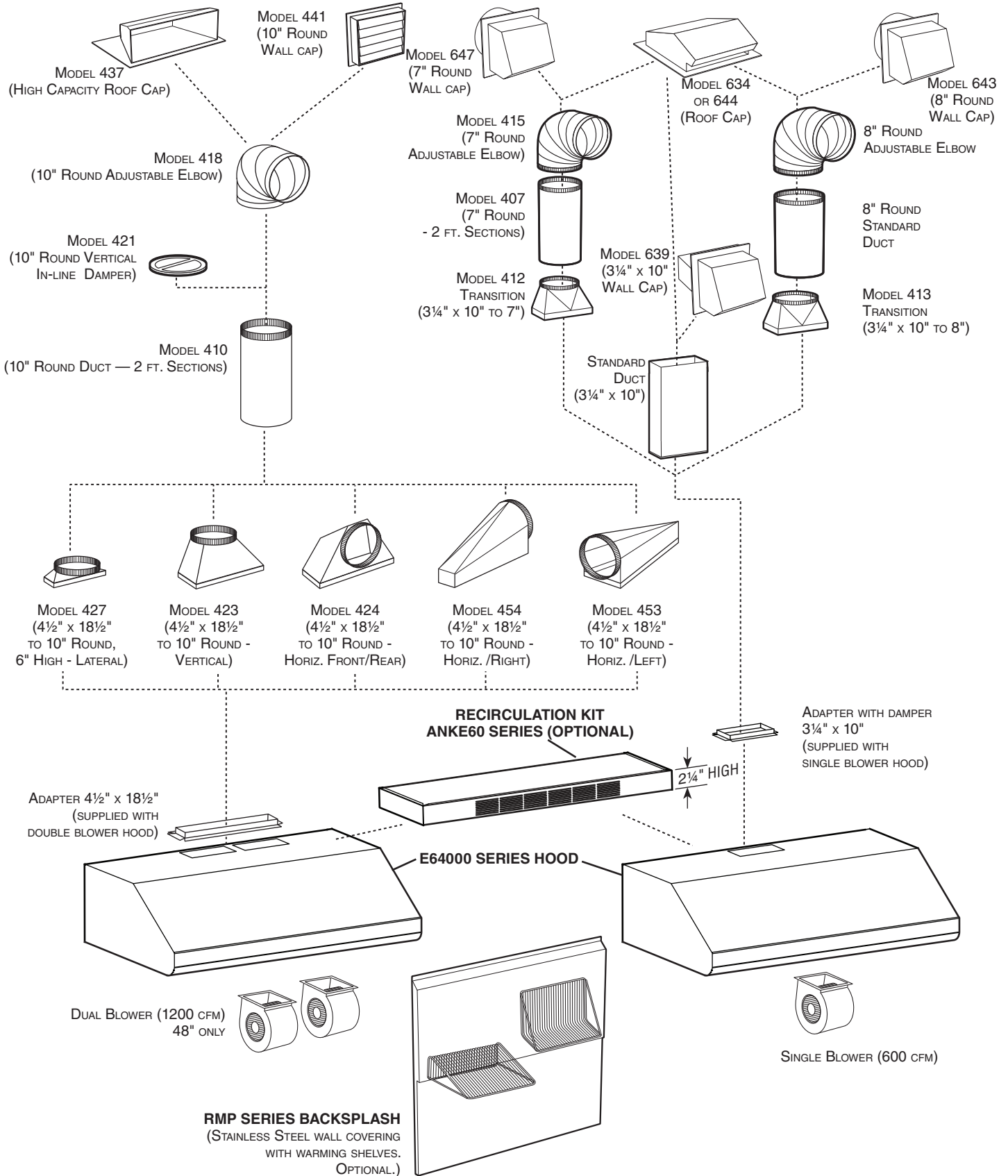
HVI-2100 CERTIFIED RATINGS comply with new testing technologies and procedures prescribed by the Home Ventilating Institute, for off-the-shelf products, as they are available to consumers. Product performance is rated at 0.1 in. static pressure, based on tests conducted in a state-of-the-art test laboratory. Sones are a measure of humanly-perceived loudness, based on laboratory measurements.

* Max. blower CFM indicates the performance of the hood blower in open air.

Broan-NuTone LLC Hartford, Wisconsin www.broan-nutone.com 800-558-1711

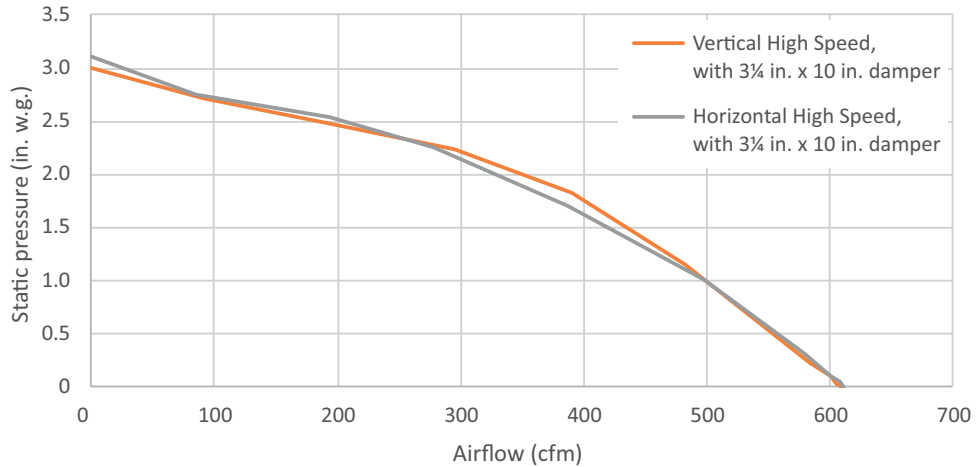
REFERENCE	QTY.	REMARKS	Project
			Location
			Architect
			Engineer
			Contractor
			Submitted By Date

E64 SERIES RANGE HOOD SYSTEM INTERNAL BLOWERS



E64 SERIES PERFORMANCES

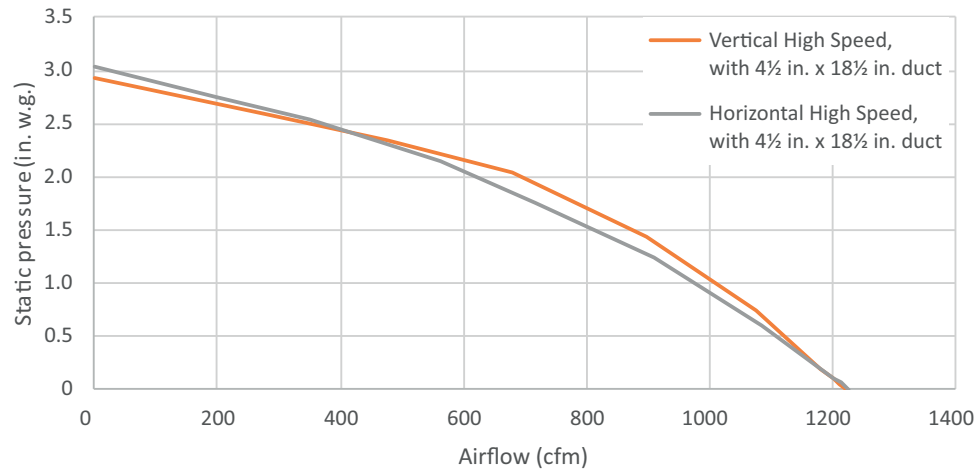
Models
E6430SS
E6436SS
E6442SS
E6448SS



HVI PERFORMANCE

Duct Orientation	Size	Damper	Sones		CFM		
			Normal	High	Normal	High 0.25 in. w.g.	High 0.1 in. w.g.
Vertical - Rectangular	3 1/4 in. x 10 in.	Included	1.5	13.0	100	581	600
Horizontal - Rectangular	3 1/4 in. x 10 in.	Included	1.5	13.0	100	585	600

Model
E6448TSS



HVI PERFORMANCE

Duct Orientation	Size	Damper	Sones		CFM		
			Normal	High	Normal	High 0.25 in. w.g.	High 0.1 in. w.g.
Vertical - Rectangular	4 1/2 in. x 18 1/2 in.	Not included	2.0	14.5	350	1169	1200
Horizontal - Rectangular	4 1/2 in. x 18 1/2 in.	Not included	2.0	14.0	350	1166	1200