



Fire Protection Catalogue

Index

R Содержание

T Dizin

Sprinklers, Nozzles & Accessories

Спринклеры, оросители и аксессуары
Sprinklerler, Nozullar ve Aksesuarları



1

P. 1.001 - 1.116

Watermist

Тонкораспыленная вода
Su sisi



2

P. 2.001 - 2.007

Alarm Valves

Узлы управления
Alarm Vanaları



3

P. 3.001 - 3.056

General Purpose Valves

Запорная арматура общего назначения
Genel Amaçlı Vanalar



4

P. 4.001 - 4.073

Measuring and Electrical Devices

Измерительное оборудование и электронные приборы
Ölçme Cihazları ve Elektrikli Cihazlar



5

P. 5.001 - 5.036

CPVC Pipes and Fittings

Трубопроводы и фитинги из ХПВХ (CPVC)
CPVC Borular ve Fittingleri



6

P. 6.001 - 6.053

Flexible Hose, Welding Outlets and threaded Fittings

Гибкая подводка, привариваемые отводы и резьбовые фитинги
Esnek Hortum, Kaynak Manşonları ve Dişli Fittingler



7

P. 7.001 - 7.015

Fire Hose and Connections

Пожарные рукава и арматура
Yangın Hortumu ve Bağlantıları



8

P. 8.001 - 8.018

Foam agents and foam hardware

Пенообразователи и оборудование пенного пожаротушения
Köpük sıvıları ve köpüklü sistem donanımları



9

P. 9.001 - 9.062

Metal Framing, GRINNELL, Portable Fire Extinguishers, SprinkCAD

Металлоконструкции, GRINNELL, Портативные огнетушители, SprinkCAD
Metal Çerçeveleme, GRINNEL, Taşınabilir Yangın Söndürücüler, SprinkCAD

10

P. 10.001 - 10.005

GB

F Standard Sprinkler Finish:

- 0 Plain Stainless Steel 316
- 1 Plain Brass
- 3 White Polyester RAL9010
- 4 Bright White Polyester
- 6 Wax Coated
- 9 Chrome Plated



Refers to detailed technical datasheet. Available on request.



Sprinkler Wrench to use.
Refers to the relevant page number in catalogue.



Sprinkler can also be used in recessed application.
Refers to the relevant page number in catalogue.

R

F Стандартная отделка спринклера:

- 0 Нержавеющая сталь 316
- 1 Латунь
- 3 Белый полиэфир RAL9010
- 4 Яркий белый полиэфир
- 6 С лаковым покрытием
- 9 Хромирование



Обратитесь к подробному техническому паспорту.
Доступно под заказ.



Необходимо использовать ключ для спринклера. Обратитесь к соответствующему номеру страницы в каталоге.



Спринклер может также использоваться для утопленной установки. Обратитесь к соответствующему номеру страницы в каталоге.

T

F Standart Sprinkler:

- 0 Saf Paslanmaz Çelik 316
- 1 Saf Piriç
- 3 Beyaz Polyester boyalı RAL9010
- 4 Parlak Beyaz Polyester boyalı
- 6 Balmumu Kaplamalı
- 9 Krom Kaplamalı



Ayrıntılı teknik veri sayfasına bakınız.
Talep üzerine temin edilmektedir.



Kullanılması Gereken Sprinkler Anahtarı. Katalogun ilgili sayfasına bakınız.



Sprinkler gömme uygulamalarda da kullanılabilir. Katalogun ilgili sayfasına bakınız.

Sprinklers, Nozzles & Accessories

R Спринклеры, оросители и аксессуары

T Sprinklerler, Nozullar ve Aksesuarlar

Standard Coverage Sprinklers

Спринклеры со стандартной площадью орошения
Normal Kaplama Alanlı Sprinklerler



P. 1.003

Extended Coverage Sprinklers

Спринклеры с расширенной площадью орошения
Genişletilmiş Kaplama Alanlı Sprinklerler



P. 1.027

Storage Sprinklers

Спринклеры для складских помещений
Depo Tipi Sprinklerler



P. 1.037

Residential Sprinklers

Спринклеры для жилых помещений
Konut Tipi Sprinklerler



P. 1.053

Dry Sprinklers

Спринклеры сухого типа
Kuru Tip Sprinklerler



P. 1.060

Special Sprinklers & Multiple Jet Controls

Спринклеры специального назначения и Клапаны для нескольких оросителей
Özel Tip Sprinklerler ve Çok amaçlı sprinkler başlığı ile algılama yapan kontrol ünitesi



P. 1.074

Nozzles

Оросители
Nozullar



P. 1.092

Sprinkler Accessories

Аксессуары для спринклеров
Sprinkler Aksesuarları



P. 1.105

Standard Coverage Sprinklers

R Спринклеры со стандартной площадью орошения

T Normal Kaplama Alanlı Sprinklerler

Standard Response, Upright

Стандартного реагирования, розеткой вверх
Normal Tepkili, Yukarı Bakan



TY-B

P. 1.005

Standard Response, Upright [K=57]

Стандартного реагирования, розеткой вверх [K=57]
Normal Tepkili, Yukarı Bakan [K=57]



TY-B

P. 1.006

Standard Response, Upright

Стандартного реагирования, розеткой вверх
Normal Tepkili, Yukarı Bakan



TY-L

P. 1.007

Standard Response, [Recessed] Pendent

Стандартного реагирования, [утопленные] розеткой вниз
Normal Tepkili, [Gömme] Aşağı Bakan



TY-B

P. 1.008

Standard Response, Pendent [K=57]

Стандартного реагирования, розеткой вниз [K=57]
Normal Tepkili, Aşağı Bakan [K=57]



TY-B

P. 1.009

Standard Response, [Recessed] Pendent

Стандартного реагирования, [утопленные] розеткой вниз
Normal Tepkili, [Gömme] Aşağı Bakan



TY-L

P. 1.010

Standard Response, Conventional

Стандартного реагирования, универсальные
Normal Tepkili, Konvansiyonel



TY-B

P. 1.011

Standard Response, [Recessed] Horizontal Sidewall

Стандартного реагирования, [утопленные] горизонтальные, настенные
Normal Tepkili, [Gömme] Yatay Duvar Tipi



TY-B

P. 1.012

Standard Response, Horizontal Sidewall

Стандартного реагирования, горизонтальные, настенные
Normal Tepkili, Yatay Duvar Tipi



TY-L

P. 1.013

Standard Response, Vertical Sidewall

Стандартного реагирования, вертикальные, настенные
Normal Tepkili, Dikey Duvar Tipi



TY-B

P. 1.014

Special Response, Upright

Специального реагирования, розеткой вверх
Özel Tepkili, Yukarı Bakan



TY-B

P. 1.015

Standard Coverage Sprinklers

R Спринклеры со стандартной площадью орошения

T Normal Kaplama Alanlı Sprinklerler

Special Response, [Recessed] Pendent

Особого типа реагирования, [утопленные] розеткой вниз
Özel Tepkili, [Gömme] Aşağı Bakan



TY-B

P. 1.016

Special Response, Conventional

Особого типа реагирования, универсальные
Özel Tepkili, Konvansiyonel



TY-B

P. 1.017

Quick Response, Upright

Быстрого реагирования, розеткой вверх
Hızlı Tepkili, Yukarı Bakan



TY-FRB

P. 1.018

Quick Response, Upright

Быстрого реагирования, розеткой вверх
Hızlı Tepkili, Yukarı Bakan



TY-FRL

P. 1.019

Quick Response, [Recessed] Pendent

Быстрого реагирования, [утопленные] розеткой вниз
Hızlı Tepkili, [Gömme] Aşağı Bakan



TY-FRB

P. 1.020

Quick Response, [Recessed] Pendent

Быстрого реагирования, [утопленные] розеткой вниз
Hızlı Tepkili, [Gömme] Aşağı Bakan



TY-FRL

P. 1.021

Quick Response, Conventional

Быстрого реагирования, универсальные
Hızlı Tepkili, Konvansiyonel



TY-FRB

P. 1.022

Quick Response, [Recessed] Horizontal Sidewall

Быстрого реагирования, [утопленные] горизонтальные, настенные
Hızlı Tepkili, [Gömme] Yatay Duvar Tipi



TY-FRB

P. 1.023

Quick Response, Horizontal Sidewall

Быстрого реагирования, горизонтальные, настенные
Hızlı Tepkili, Yatay Duvar Tipi



TY-FRL

P. 1.023

Quick Response, Vertical Sidewall

Быстрого реагирования, вертикальные, настенные
Hızlı Tepkili, Dikey Duvar Tipi



TY-FRB

P. 1.024

Pendent Concealed

Скрытые розеткой вниз
Aşağı Bakan, Gizli kapaklı tip



RFI

P. 1.025

Quick Response, Standard Coverage, Flush Pendant

Быстрого реагирования, стандартного орошения,
устанавливаемые заподлицо розеткой вниз
Hızlı Tepkili, Standart Kaplama Alanlı, Flush, Aşağı Bakan



FSC



TY-QRF-EU

P. 1.026

Standard Coverage Sprinklers, Standard Response, Upright

- R** Спринклеры со стандартной площадью орошения, стандартного реагирования, розеткой вверх
- T** Standart Kaplama Alanlı Sprinklerler, Normal Tepkili, Yukarı Bakan



TY-B



TFP 151/152

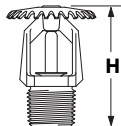


0.08 kg



Art. nr. 568504001, W-Type 7
560006387, W-Type 6

[P.1.116]



For the most up-to-date technical information visit us online or speak to your local Sales contact

Для получения актуальной технической информации посетите наш сайт или обратитесь к местному торговому представителю.

En güncel teknik bilgiler için web sitemizi ziyaret edin veya yerel Satış yetkiliniz ile görüşün

K=40 [2.8] • 1/2" NPT • SIN TY1151 • H=55.6 mm [2-3/16"]

Art. Nr	T °C [°F]	F	FM	UL	CNROP	BM ONF
575301135	57 [135]	1	✓	✓	✓	✓
575301155	68 [155]	1	✓	✓	✓	✓
575301175	79 [175]	1	✓	✓	✓	✓
575301200	93 [200]	1	✓	✓	✓	✓
575301286	141 [286]	1	✓	✓	✓	✓
575301360	182 [360]	1	✓	✓	✓	✓
575303135	57 [135]	3	✓	✓	✓	✓
575303155	68 [155]	3	✓	✓	✓	✓
575303175	79 [175]	3	✓	✓	✓	✓
575303200	93 [200]	3	✓	✓	✓	✓
575303286	141 [286]	3	✓	✓	✓	✓
575303360	182 [360]	3	✓	✓	✓	✓
575309135	57 [135]	9	✓	✓	✓	✓
575309155	68 [155]	9	✓	✓	✓	✓
575309175	79 [175]	9	✓	✓	✓	✓
575309200	93 [200]	9	✓	✓	✓	✓
575309286	141 [286]	9	✓	✓	✓	✓
575309360	182 [360]	9	✓	✓	✓	✓
575306135	57 [135]	6	✓	✓		
575306155	68 [155]	6	✓	✓		
575306175	79 [175]	6	✓	✓		
575306200	93 [200]	6	✓	✓		
575306286	141 [286]	6	✓	✓		

K=80 [5.6] • 1/2" NPT • SIN TY315 • H=55.6 mm [2-3/16"]

Art. Nr	T °C [°F]	F	CE	VDS	LPCB*	FM	UL	CNROP	VMRPO	PAVUS	T/S/U	BM ONF
775701135	57 [135]	1	✓	✓	✓	✓	✓	✓	✓	✓	✓	✓
775701155	68 [155]	1	✓	✓	✓	✓	✓	✓	✓	✓	✓	✓
775701175	79 [175]	1	✓	✓	✓	✓	✓	✓	✓	✓	✓	✓
775701200	93 [200]	1	✓	✓	✓	✓	✓	✓	✓	✓	✓	✓
775701286	141 [286]	1	✓	✓	✓	✓	✓	✓	✓	✓	✓	✓
775701360	182 [360]	1	✓	✓	✓	✓	✓	✓	✓	✓	✓	✓
775703135	57 [135]	3	✓	✓	✓	✓	✓	✓	✓	✓	✓	✓
775703155	68 [155]	3	✓	✓	✓	✓	✓	✓	✓	✓	✓	✓
775703175	79 [175]	3	✓	✓	✓	✓	✓	✓	✓	✓	✓	✓
775703200	93 [200]	3	✓	✓	✓	✓	✓	✓	✓	✓	✓	✓
775703286	141 [286]	3	✓	✓	✓	✓	✓	✓	✓	✓	✓	✓
775703360	182 [360]	3	✓	✓	✓	✓	✓	✓	✓	✓	✓	✓
775709135	57 [135]	9	✓	✓	✓	✓	✓	✓	✓	✓	✓	✓
775709155	68 [155]	9	✓	✓	✓	✓	✓	✓	✓	✓	✓	✓
775709175	79 [175]	9	✓	✓	✓	✓	✓	✓	✓	✓	✓	✓
775709200	93 [200]	9	✓	✓	✓	✓	✓	✓	✓	✓	✓	✓
775709286	141 [286]	9	✓	✓	✓	✓	✓	✓	✓	✓	✓	✓
775709360	182 [360]	9	✓	✓	✓	✓	✓	✓	✓	✓	✓	✓
575706135	57 [135]	6				✓	✓					
575706155	68 [155]	6				✓	✓					
575706175	79 [175]	6				✓	✓					
575706200	93 [200]	6				✓	✓					
575706286	141 [286]	6				✓	✓					

K=115 [8.0] • 1/2" NPT • SIN TY4851 • H=55.6 mm [2-3/16"]

Art. Nr	T °C [°F]	F	VDS	FM	UL	BM ONF
575601135	57 [135]	1	✓	✓	✓	✓
575601155	68 [155]	1	✓	✓	✓	✓
575601175	79 [175]	1	✓	✓	✓	✓
575601200	93 [200]	1	✓	✓	✓	✓
575601286	141 [286]	1	✓	✓	✓	✓
575601360	182 [360]	1	✓	✓	✓	✓
575603135	57 [135]	3	✓	✓	✓	✓
575603155	68 [155]	3	✓	✓	✓	✓
575603175	79 [175]	3	✓	✓	✓	✓
575603200	93 [200]	3	✓	✓	✓	✓
575603286	141 [286]	3	✓	✓	✓	✓
575603360	182 [360]	3	✓	✓	✓	✓
575609135	57 [135]	9	✓	✓	✓	✓
575609155	68 [155]	9	✓	✓	✓	✓
575609175	79 [175]	9	✓	✓	✓	✓
575609200	93 [200]	9	✓	✓	✓	✓
575609286	141 [286]	9	✓	✓	✓	✓
575609360	182 [360]	9	✓	✓	✓	✓
575606135	57 [135]	6		✓	✓	
575606155	68 [155]	6		✓	✓	
575606175	79 [175]	6		✓	✓	
575606200	93 [200]	6		✓	✓	
575606286	141 [286]	6		✓	✓	

K=115 [8.0] • 3/4" NPT • SIN TY4151 • H=57.2 mm [2-1/4"]

Art. Nr	T °C [°F]	F	CE	VDS	LPCB*	FM	UL	CNROP	VMRPO	PAVUS	T/S/U	BM ONF
575901135	57 [135]	1	✓	✓	✓	✓	✓	✓	✓	✓	✓	✓
575901155	68 [155]	1	✓	✓	✓	✓	✓	✓	✓	✓	✓	✓
575901175	79 [175]	1	✓	✓	✓	✓	✓	✓	✓	✓	✓	✓
575901200	93 [200]	1	✓	✓	✓	✓	✓	✓	✓	✓	✓	✓
575901286	141 [286]	1	✓	✓	✓	✓	✓	✓	✓	✓	✓	✓
575901360	182 [360]	1	✓	✓	✓	✓	✓	✓	✓	✓	✓	✓
575903135	57 [135]	3	✓	✓	✓	✓	✓	✓	✓	✓	✓	✓
575903155	68 [155]	3	✓	✓	✓	✓	✓	✓	✓	✓	✓	✓
575903175	79 [175]	3	✓	✓	✓	✓	✓	✓	✓	✓	✓	✓
575903200	93 [200]	3	✓	✓	✓	✓	✓	✓	✓	✓	✓	✓
575903286	141 [286]	3	✓	✓	✓	✓	✓	✓	✓	✓	✓	✓
575903360	182 [360]	3	✓	✓	✓	✓	✓	✓	✓	✓	✓	✓
575909135	57 [135]	9	✓	✓	✓	✓	✓	✓	✓	✓	✓	✓
575909155	68 [155]	9	✓	✓	✓	✓	✓	✓	✓	✓	✓	✓
575909175	79 [175]	9	✓	✓	✓	✓	✓	✓	✓	✓	✓	✓
575909200	93 [200]	9	✓	✓	✓	✓	✓	✓	✓	✓	✓	✓
575909286	141 [286]	9	✓	✓	✓	✓	✓	✓	✓	✓	✓	✓
575909360	182 [360]	9	✓	✓	✓	✓	✓	✓	✓	✓	✓	✓
575906135	57 [135]	6				✓	✓					
575906155	68 [155]	6				✓	✓					
575906175	79 [175]	6				✓	✓					
575906200	93 [200]	6				✓	✓					
575906286	141 [286]	6				✓	✓					

*See datasheets / См. паспорта данных / Bkz. veri sayfaları

Standard Coverage Sprinklers, Standard Response, Upright

- R** Спринклеры со стандартной площадью орошения, стандартного реагирования, розеткой вверх
- T** Standart Kaplama Alanlı Sprinklerler, Normal Tepkili, Yukarı Bakan



TY-B



TFP 670

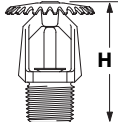


0.08 kg



[P.1.116]

Art. Nr. 568504001, W-Type 7
560006387, W-Type 6



For the most up-to-date technical information visit us online or speak to your local Sales contact

Для получения актуальной технической информации посетите наш сайт или обратитесь к местному торговому представителю.

En güncel teknik bilgiler için web sitemizi ziyaret edin veya yerel Satış yetkiliniz ile görüşün

K=57 [4.0] • 3/8" ISO • SIN TY2108 • H=53.0 mm [2-1/11"]

Art. Nr.	T °C [°F]	F	CE	VDS	IPCB	CNBP	VNIPO	PAVUS	T/S/U	BM OKF
575801135	57 [135]	1	✓	✓	✓	✓	✓	✓	✓	✓
575801155	68 [155]	1	✓	✓	✓	✓	✓	✓	✓	✓
575801175	79 [175]	1	✓	✓	✓	✓	✓	✓	✓	✓
575801200	93 [200]	1	✓	✓	✓	✓	✓	✓	✓	✓
575801286	141 [286]	1	✓	✓	✓	✓	✓	✓	✓	✓
575801360	182 [360]	1	✓	✓	✓	✓	✓	✓	✓	✓
575803135	57 [135]	3	✓	✓	✓	✓	✓	✓	✓	✓
575803155	68 [155]	3	✓	✓	✓	✓	✓	✓	✓	✓
575803175	79 [175]	3	✓	✓	✓	✓	✓	✓	✓	✓
575803200	93 [200]	3	✓	✓	✓	✓	✓	✓	✓	✓
575803286	141 [286]	3	✓	✓	✓	✓	✓	✓	✓	✓
575803360	182 [360]	3	✓	✓	✓	✓	✓	✓	✓	✓
575809135	57 [135]	9	✓	✓	✓	✓	✓	✓	✓	✓
575809155	68 [155]	9	✓	✓	✓	✓	✓	✓	✓	✓
575809175	79 [175]	9	✓	✓	✓	✓	✓	✓	✓	✓
575809200	93 [200]	9	✓	✓	✓	✓	✓	✓	✓	✓
575809286	141 [286]	9	✓	✓	✓	✓	✓	✓	✓	✓
575809360	182 [360]	9	✓	✓	✓	✓	✓	✓	✓	✓

Standard Coverage Sprinklers, Standard Response, Upright

- R** Спринклеры со стандартной площадью орошения, стандартного реагирования, розеткой вверх
- T** Standart Kaplama Alanlı Sprinklerler, Normal Tepkili, Yukarı Bakan



TFP 110

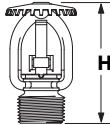


0.09 kg



[P.1.116]

**Art. Nr. 560001849, W-Type 9
560001948, W-Type 10**



For the most up-to-date technical information visit us online or speak to your local Sales contact

Для получения актуальной технической информации посетите наш сайт или обратитесь к местному торговому представителю.

En güncel teknik bilgiler için web sitemizi ziyaret edin veya yerel Satış yetkiliniz ile görüşün

K=80 [5.6] • 1/2" NPT • SIN TY3111 • H=66.7 mm [2-5/8"]

Art. Nr.	T °C [°F]	F	CE	LPCB	FM	UL
531111212	100 [212]	1	√	√	√	√
531111280	138 [280]	1	√	√	√	√
531119165	74 [165]	9	√	√	√	√
531119212	100 [212]	9	√	√	√	√
531119280	138 [280]	9	√	√	√	√
531116165	74 [165]	6			√	√
531116212	100 [212]	6			√	√

K=115 [8.0] • 1/2" NPT • SIN TY4811 • H=66.7 mm [2-5/8"]

Art. Nr.	T °C [°F]	F	FM	UL
531061212	100 [212]	1	√	√
531061280	138 [280]	1	√	√
531069165	74 [165]	9	√	√
531069212	100 [212]	9	√	√
531069280	138 [280]	9	√	√
531066165	74 [165]	6	√	√
531066212	100 [212]	6	√	√

K=115 [8.0] • 3/4" NPT • SIN TY4111 • H=68.3 mm [2-11/16"]

Art. Nr.	T °C [°F]	F	CE	LPCB	FM	UL
531011212	100 [212]	1	√	√	√	√
531011280	138 [280]	1	√	√	√	√
531019165	74 [165]	9	√	√	√	√
531019212	100 [212]	9	√	√	√	√
531019280	138 [280]	9	√	√	√	√
531016165	74 [165]	6			√	√
531016212	100 [212]	6			√	√

Standard Coverage Sprinklers, Standard Response, [Recessed] Pendent

- R** Спринклеры со стандартной площадью орошения, стандартного реагирования, [утопленные] розеткой вниз
- T** Standart Kaplama Alanlı Sprinklerler, Normal Tepkili, [Gömme] Aşağı Bakan



TY-B



TFP 151/152



0.08 kg



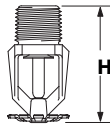
Art. Nr. 568504001, W-Type 7
560006387, W-Type 6

[P.1.116]



Style 10, 20, 30 & 40

[P.1.109]



For the most up-to-date technical information visit us online or speak to your local Sales contact

Для получения актуальной технической информации посетите наш сайт или обратитесь к местному торговому представителю.

En güncel teknik bilgiler için web sitemizi ziyaret edin veya yerel Satış yetkiliniz ile görüşün

K=40 [2.8] • 1/2" NPT • SIN TY1251 • H=57.2 mm [2-1/4"]						
Art. Nr.	T °C [°F]	F	FM	UL	CN/BOP	BM/OKF
575311135	57 [135]	1	✓	✓	✓	✓
575311155	68 [155]	1	✓	✓	✓	✓
575311175	79 [175]	1	✓	✓	✓	✓
575311200	93 [200]	1	✓	✓	✓	✓
575311286	141 [286]	1	✓	✓	✓	✓
575311360	182 [360]	1	✓	✓	✓	✓
575313135	57 [135]	3	✓	✓	✓	✓
575313155	68 [155]	3	✓	✓	✓	✓
575313175	79 [175]	3	✓	✓	✓	✓
575313200	93 [200]	3	✓	✓	✓	✓
575313286	141 [286]	3	✓	✓	✓	✓
575313360	182 [360]	3	✓	✓	✓	✓
575319135	57 [135]	9	✓	✓	✓	✓
575319155	68 [155]	9	✓	✓	✓	✓
575319175	79 [175]	9	✓	✓	✓	✓
575319200	93 [200]	9	✓	✓	✓	✓
575319286	141 [286]	9	✓	✓	✓	✓
575319360	182 [360]	9	✓	✓	✓	✓
575316135	57 [135]	6	✓	✓		
575316155	68 [155]	6	✓	✓		
575316175	79 [175]	6	✓	✓		
575316200	93 [200]	6	✓	✓		
575316286	141 [286]	6	✓	✓		

K=80 [5.6] • 1/2" NPT • SIN TY325 • H=55.6 mm [2-3/16"]												
Art. Nr.	T °C [°F]	F	CE	VDS	LP/CP*	FM	UL	CN/BOP	VM/PO	PAVUS	T/S/U	BM/OKF
775711135	57 [135]	1	✓	✓	✓	✓	✓	✓	✓	✓	✓	✓
775711155	68 [155]	1	✓	✓	✓	✓	✓	✓	✓	✓	✓	✓
775711175	79 [175]	1	✓	✓	✓	✓	✓	✓	✓	✓	✓	✓
775711200	93 [200]	1	✓	✓	✓	✓	✓	✓	✓	✓	✓	✓
775711286	141 [286]	1	✓	✓	✓	✓	✓	✓	✓	✓	✓	✓
775711360	182 [360]	1	✓	✓	✓	✓	✓	✓	✓	✓	✓	✓
775713135	57 [135]	3	✓	✓	✓	✓	✓	✓	✓	✓	✓	✓
775713155	68 [155]	3	✓	✓	✓	✓	✓	✓	✓	✓	✓	✓
775713175	79 [175]	3	✓	✓	✓	✓	✓	✓	✓	✓	✓	✓
775713200	93 [200]	3	✓	✓	✓	✓	✓	✓	✓	✓	✓	✓
775713286	141 [286]	3	✓	✓	✓	✓	✓	✓	✓	✓	✓	✓
775713360	182 [360]	3	✓	✓	✓	✓	✓	✓	✓	✓	✓	✓
775719135	57 [135]	9	✓	✓	✓	✓	✓	✓	✓	✓	✓	✓
775719155	68 [155]	9	✓	✓	✓	✓	✓	✓	✓	✓	✓	✓
775719175	79 [175]	9	✓	✓	✓	✓	✓	✓	✓	✓	✓	✓
775719200	93 [200]	9	✓	✓	✓	✓	✓	✓	✓	✓	✓	✓
775719286	141 [286]	9	✓	✓	✓	✓	✓	✓	✓	✓	✓	✓
775719360	182 [360]	9	✓	✓	✓	✓	✓	✓	✓	✓	✓	✓
575716135	57 [135]	6				✓	✓					
575716155	68 [155]	6				✓	✓					
575716175	79 [175]	6				✓	✓					
575716200	93 [200]	6				✓	✓					
575716286	141 [286]	6				✓	✓					

K=115 [8.0] • 1/2" NPT • SIN TY4951 • H=57.2 mm [2-1/4"]						
Art. Nr.	T °C [°F]	F	VDS	FM	UL	BM/OKF
575611135	57 [135]	1	✓	✓	✓	✓
575611155	68 [155]	1	✓	✓	✓	✓
575611175	79 [175]	1	✓	✓	✓	✓
575611200	93 [200]	1	✓	✓	✓	✓
575611286	141 [286]	1	✓	✓	✓	✓
575611360	182 [360]	1	✓	✓	✓	✓
575613135	57 [135]	3	✓	✓	✓	✓
575613155	68 [155]	3	✓	✓	✓	✓
575613175	79 [175]	3	✓	✓	✓	✓
575613200	93 [200]	3	✓	✓	✓	✓
575613286	141 [286]	3	✓	✓	✓	✓
575613360	182 [360]	3	✓	✓	✓	✓
575619135	57 [135]	9	✓	✓	✓	✓
575619155	68 [155]	9	✓	✓	✓	✓
575619175	79 [175]	9	✓	✓	✓	✓
575619200	93 [200]	9	✓	✓	✓	✓
575619286	141 [286]	9	✓	✓	✓	✓
575619360	182 [360]	9	✓	✓	✓	✓
575616135	57 [135]	6		✓	✓	
575616155	68 [155]	6		✓	✓	
575616175	79 [175]	6		✓	✓	
575616200	93 [200]	6		✓	✓	
575616286	141 [286]	6		✓	✓	

K=115 [8.0] • 3/4" NPT • SIN TY4251 • H=58.7 mm [2-5/16"]											
Art. Nr.	T °C [°F]	F	CE	VDS	FM	UL	CN/BOP	VM/PO	PAVUS	T/S/U	BM/OKF
575911135	57 [135]	1	✓	✓	✓	✓	✓	✓	✓	✓	✓
575911155	68 [155]	1	✓	✓	✓	✓	✓	✓	✓	✓	✓
575911175	79 [175]	1	✓	✓	✓	✓	✓	✓	✓	✓	✓
575911200	93 [200]	1	✓	✓	✓	✓	✓	✓	✓	✓	✓
575911286	141 [286]	1	✓	✓	✓	✓	✓	✓	✓	✓	✓
575911360	182 [360]	1	✓	✓	✓	✓	✓	✓	✓	✓	✓
575913135	57 [135]	3	✓	✓	✓	✓	✓	✓	✓	✓	✓
575913155	68 [155]	3	✓	✓	✓	✓	✓	✓	✓	✓	✓
575913175	79 [175]	3	✓	✓	✓	✓	✓	✓	✓	✓	✓
575913200	93 [200]	3	✓	✓	✓	✓	✓	✓	✓	✓	✓
575913286	141 [286]	3	✓	✓	✓	✓	✓	✓	✓	✓	✓
575913360	182 [360]	3	✓	✓	✓	✓	✓	✓	✓	✓	✓
575919135	57 [135]	9	✓	✓	✓	✓	✓	✓	✓	✓	✓
575919155	68 [155]	9	✓	✓	✓	✓	✓	✓	✓	✓	✓
575919175	79 [175]	9	✓	✓	✓	✓	✓	✓	✓	✓	✓
575919200	93 [200]	9	✓	✓	✓	✓	✓	✓	✓	✓	✓
575919286	141 [286]	9	✓	✓	✓	✓	✓	✓	✓	✓	✓
575919360	182 [360]	9	✓	✓	✓	✓	✓	✓	✓	✓	✓
575916135	57 [135]	6				✓	✓				
575916155	68 [155]	6				✓	✓				
575916175	79 [175]	6				✓	✓				
575916200	93 [200]	6				✓	✓				
575916286	141 [286]	6				✓	✓				

*See datasheets / См. паспорта данных / Bkz. veri sayfaları

Standard Coverage Sprinklers, Standard Response, Pendent

- R** Спринклеры со стандартной площадью орошения, стандартного реагирования, розеткой вниз
- T** Standart Kaplama Alanlı Sprinklerler, Normal Tepkili, Aşağı Bakan



TFP 670

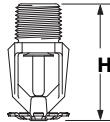


0.08 kg



[P.1.116]

Art. Nr. 568504001, W-Type 7
560006387, W-Type 6



For the most up-to-date technical information visit us online or speak to your local Sales contact

Для получения актуальной технической информации посетите наш сайт или обратитесь к местному торговому представителю.

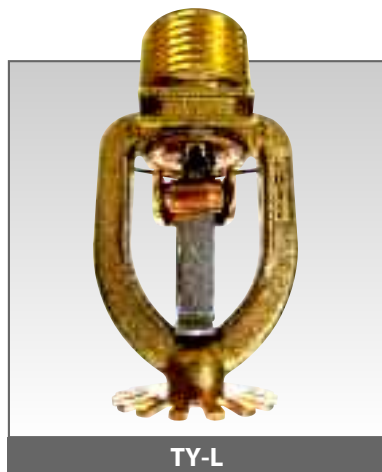
En güncel teknik bilgiler için web sitemizi ziyaret edin veya yerel Satış yetkiliniz ile görüşün

K=57 [4.0] • 3/8" ISO • SIN TY2208 • H=55 mm [2-1/6"]

Art. Nr.	T °C [°F]	F	CE	VDS	IPCB	CNBP	PAVUS	T/S/U	BM ONF
575811135	57 [135]	1	✓	✓	✓	✓	✓	✓	✓
575811155	68 [155]	1	✓	✓	✓	✓	✓	✓	✓
575811175	79 [175]	1	✓	✓	✓	✓	✓	✓	✓
575811200	93 [200]	1	✓	✓	✓	✓	✓	✓	✓
575811286	141 [286]	1	✓	✓	✓	✓	✓	✓	✓
575811360	182 [360]	1	✓	✓	✓	✓	✓	✓	✓
575813135	57 [135]	3	✓	✓	✓	✓	✓	✓	✓
575813155	68 [155]	3	✓	✓	✓	✓	✓	✓	✓
575813175	79 [175]	3	✓	✓	✓	✓	✓	✓	✓
575813200	93 [200]	3	✓	✓	✓	✓	✓	✓	✓
575813286	141 [286]	3	✓	✓	✓	✓	✓	✓	✓
575813360	182 [360]	3	✓	✓	✓	✓	✓	✓	✓
575819135	57 [135]	9	✓	✓	✓	✓	✓	✓	✓
575819155	68 [155]	9	✓	✓	✓	✓	✓	✓	✓
575819175	79 [175]	9	✓	✓	✓	✓	✓	✓	✓
575819200	93 [200]	9	✓	✓	✓	✓	✓	✓	✓
575819286	141 [286]	9	✓	✓	✓	✓	✓	✓	✓
575819360	182 [360]	9	✓	✓	✓	✓	✓	✓	✓

Standard Coverage Sprinklers, Standard Response, [Recessed] Pendent

- R** Спринклеры со стандартной площадью орошения, стандартного реагирования, [утопленные] розеткой вниз
- T** Standart Kaplama Alanlı Sprinklerler, Normal Tepkili, [Gömme] Aşağı Bakan



TY-L



TFP 110



0.09 kg



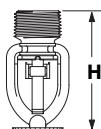
Art. Nr. 560001849, W-Type 9
560001948, W-Type 10

[P.1.116]



Style 10-40

[P.1.109]



For the most up-to-date technical information visit us online or speak to your local Sales contact

Для получения актуальной технической информации посетите наш сайт или обратитесь к местному торговому представителю.

En güncel teknik bilgiler için web sitemizi ziyaret edin veya yerel Satış yetkiliniz ile görüşün

K=80 [5.6] • 1/2" NPT • SIN TY3211 • H=66.7 mm [2-5/8"]

Art. Nr.	T	F	CE	LPCB	FM	UL
	°C [°F]					
531121165	74 [165]	1	√	√	√	√
531121212	100 [212]	1	√	√	√	√
531121280	138 [280]	1	√	√	√	√
531129165	74 [165]	9	√	√	√	√
531129212	100 [212]	9	√	√	√	√
531129280	138 [280]	9	√	√	√	√
531126165	74 [165]	6			√	√
531126212	100 [212]	6			√	√

K=115 [8.0] • 1/2" NPT • SIN TY4911 • H=66.7 mm [2-5/8"]

Art. Nr.	T	F	FM	UL
	°C [°F]			
531071165	74 [165]	1	√	√
531071212	100 [212]	1	√	√
531071280	138 [280]	1	√	√
531079165	74 [165]	9	√	√
531079212	100 [212]	9	√	√
531079280	138 [280]	9	√	√
531076165	74 [165]	6	√	√
531076212	100 [212]	6	√	√

K=115 [8.0] • 3/4" NPT • SIN TY4211 • H=68.3 mm [2-11/16"]

Art. Nr.	T	F	CE	LPCB	FM	UL
	°C [°F]					
531021165	74 [165]	1	√	√	√	√
531021212	100 [212]	1	√	√	√	√
531021280	138 [280]	1	√	√	√	√
531029165	74 [165]	9	√	√	√	√
531029212	100 [212]	9	√	√	√	√
531026165	74 [165]	6			√	√
531026212	100 [212]	6			√	√

Standard Coverage Sprinklers, Standard Response, Conventional

- R** Спринклеры со стандартной площадью орошения, стандартного реагирования, универсальные
- T** Standart Kaplama Alanlı Sprinklerler, Normal Tepkili, Konvansiyonel



TY-B



TFP 661/662

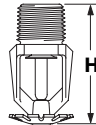


0.08 kg



Art. Nr. 568504001, W-Type 7
560006387, W-Type 6

[P.1.116]



For the most up-to-date technical information visit us online or speak to your local Sales contact

Для получения актуальной технической информации посетите наш сайт или обратитесь к местному торговому представителю.

En güncel teknik bilgiler için web sitemizi ziyaret edin veya yerel Satış yetkiliniz ile görüşün

K=80 [5.6] • 1/2" NPT • SIN TY365 • H=55.6 mm [2-3/16"]										
Art. Nr.	T °C [°F]	F	CE	VDS	LPCB*	UL	VNIPO	PAVUS	T/S/U	BM OMF
775731135	57 [135]	1	✓	✓	✓	✓	✓	✓	✓	✓
775731155	68 [155]	1	✓	✓	✓	✓	✓	✓	✓	✓
775731175	79 [175]	1	✓	✓	✓	✓	✓	✓	✓	✓
775731200	93 [200]	1	✓	✓	✓	✓	✓	✓	✓	✓
775731286	141 [286]	1	✓	✓	✓	✓	✓	✓	✓	✓
775731360	182 [360]	1	✓	✓	✓	✓	✓	✓	✓	✓
775733135	57 [135]	3	✓	✓	✓	✓	✓	✓	✓	✓
775733155	68 [155]	3	✓	✓	✓	✓	✓	✓	✓	✓
775733175	79 [175]	3	✓	✓	✓	✓	✓	✓	✓	✓
775733200	93 [200]	3	✓	✓	✓	✓	✓	✓	✓	✓
775733286	141 [286]	3	✓	✓	✓	✓	✓	✓	✓	✓
775733360	182 [360]	3	✓	✓	✓	✓	✓	✓	✓	✓
775739135	57 [135]	9	✓	✓	✓	✓	✓	✓	✓	✓
775739155	68 [155]	9	✓	✓	✓	✓	✓	✓	✓	✓
775739175	79 [175]	9	✓	✓	✓	✓	✓	✓	✓	✓
775739200	93 [200]	9	✓	✓	✓	✓	✓	✓	✓	✓
775739286	141 [286]	9	✓	✓	✓	✓	✓	✓	✓	✓
775739360	182 [360]	9	✓	✓	✓	✓	✓	✓	✓	✓
575736135	57 [135]	6				✓				
575736155	68 [155]	6				✓				
575736175	79 [175]	6				✓				
575736200	93 [200]	6				✓				
575736286	141 [286]	6				✓				

K=115 [8.0] • 3/4" NPT • SIN TY4651 • H=57.2 mm [2-3/16"]										
Art. Nr.	T °C [°F]	F	CE	VDS	LPCB	UL	VNIPO	PAVUS	T/S/U	BM OMF
575931135	57 [135]	1	✓	✓	✓	✓	✓	✓	✓	✓
575931155	68 [155]	1	✓	✓	✓	✓	✓	✓	✓	✓
575931175	79 [175]	1	✓	✓	✓	✓	✓	✓	✓	✓
575931200	93 [200]	1	✓	✓	✓	✓	✓	✓	✓	✓
575931286	141 [286]	1	✓	✓	✓	✓	✓	✓	✓	✓
575931360	182 [360]	1	✓	✓	✓	✓	✓	✓	✓	✓
575933135	57 [135]	3	✓	✓	✓	✓	✓	✓	✓	✓
575933155	68 [155]	3	✓	✓	✓	✓	✓	✓	✓	✓
575933175	79 [175]	3	✓	✓	✓	✓	✓	✓	✓	✓
575933200	93 [200]	3	✓	✓	✓	✓	✓	✓	✓	✓
575933286	141 [286]	3	✓	✓	✓	✓	✓	✓	✓	✓
575933360	182 [360]	3	✓	✓	✓	✓	✓	✓	✓	✓
575939135	57 [135]	9	✓	✓	✓	✓	✓	✓	✓	✓
575939155	68 [155]	9	✓	✓	✓	✓	✓	✓	✓	✓
575939175	79 [175]	9	✓	✓	✓	✓	✓	✓	✓	✓
575939200	93 [200]	9	✓	✓	✓	✓	✓	✓	✓	✓
575939286	141 [286]	9	✓	✓	✓	✓	✓	✓	✓	✓
575939360	182 [360]	9	✓	✓	✓	✓	✓	✓	✓	✓
575936135	57 [135]	6					✓			
575936155	68 [155]	6					✓			
575936175	79 [175]	6					✓			
575936200	93 [200]	6					✓			
575936286	141 [286]	6					✓			

*See datasheets / См. паспорта данных / Bkz. veri sayfaları

Standard Coverage Sprinklers, Standard Response, [Recessed] Horizontal Sidewall

- R** Спринклеры со стандартной площадью орошения, стандартного реагирования, [утопленные] горизонтальные настенные
T Standart Kaplama Alanlı Sprinklerler, Normal Tepkili, [Gömme] Yatay Duvar Tipi



TY-B



TFP 161



0.08 kg



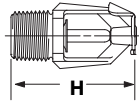
Art. Nr. 568504001, W-Type 7
560006387, W-Type 6

[P.1.116]



Style 10, 20, 30 & 40

[P.1.109]



For the most up-to-date technical information visit us online or speak to your local Sales contact

Для получения актуальной технической информации посетите наш сайт или обратитесь к местному торговому представителю.

En güncel teknik bilgiler için web sitemizi ziyaret edin veya yerel Satış yetkiliniz ile görüşün

K=80 [5.6] • 1/2" NPT • SIN TY3351 • H=55.6 mm [2-3/16"]

Art. Nr.	T °C [°F]	F	CE	IPCB	FM	UL	CNBP	VNIPO	PAVUS	BM ONF
575781135	57 [135]	1	✓	✓	✓	✓	✓	✓	✓	✓
575781155	68 [155]	1	✓	✓	✓	✓	✓	✓	✓	✓
575781175	79 [175]	1	✓	✓	✓	✓	✓	✓	✓	✓
575781200	93 [200]	1	✓	✓	✓	✓	✓	✓	✓	✓
575781286	141 [286]	1	✓	✓	✓	✓	✓	✓	✓	✓
575781360	182 [360]	1	✓	✓	✓	✓	✓	✓	✓	✓
575783135	57 [135]	3	✓	✓	✓	✓	✓	✓	✓	✓
575783155	68 [155]	3	✓	✓	✓	✓	✓	✓	✓	✓
575783175	79 [175]	3	✓	✓	✓	✓	✓	✓	✓	✓
575783200	93 [200]	3	✓	✓	✓	✓	✓	✓	✓	✓
575783286	141 [286]	3	✓	✓	✓	✓	✓	✓	✓	✓
575783360	182 [360]	3	✓	✓	✓	✓	✓	✓	✓	✓
575789135	57 [135]	9	✓	✓	✓	✓	✓	✓	✓	✓
575789155	68 [155]	9	✓	✓	✓	✓	✓	✓	✓	✓
575789175	79 [175]	9	✓	✓	✓	✓	✓	✓	✓	✓
575789200	93 [200]	9	✓	✓	✓	✓	✓	✓	✓	✓
575789286	141 [286]	9	✓	✓	✓	✓	✓	✓	✓	✓
575789360	182 [360]	9	✓	✓	✓	✓	✓	✓	✓	✓
575786135	57 [135]	6			✓	✓				
575786155	68 [155]	6			✓	✓				
575786175	79 [175]	6			✓	✓				
575786200	93 [200]	6			✓	✓				
575786286	141 [286]	6			✓	✓				

Standard Coverage Sprinklers, Standard Response, Horizontal Sidewall

- R** Спринклеры со стандартной площадью орошения, стандартного реагирования, горизонтальные настенные
- T** Standart Kaplama Alanlı Sprinklerler, Normal Tepkili, Yatay Duvar Tipi



TY-L



TFP 120

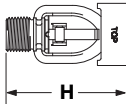


0.09 kg



Art. Nr. 560001849, W-Type 9

[P.1.116]



For the most up-to-date technical information visit us online or speak to your local Sales contact

Для получения актуальной технической информации посетите наш сайт или обратитесь к местному торговому представителю.

En güncel teknik bilgiler için web sitemizi ziyaret edin veya yerel Satış yetkiliniz ile görüşün

K=80 [5.6] • 1/2" NPT • SIN TY3311 • H=55.6 mm [2-3/16"]

Art. Nr.	T °C [°F]	F	CE	LPCB	FM	UL
531131165	74 [165]	1	√	√	√	√
531131212	100 [212]	1	√	√	√	√
531131280	138 [280]	1	√	√	√	√
531139165	74 [165]	9	√	√	√	√
531139212	100 [212]	9	√	√	√	√
531139280	138 [280]	9	√	√	√	√
531136165	74 [165]	6			√	√
531136212	100 [212]	6			√	√

Standard Coverage Sprinklers, Standard Response, Vertical Sidewall

- R** Спринклеры со стандартной площадью орошения, стандартного реагирования, вертикальные, настенные
T Standart Kaplama Alanlı Sprinklerler, Normal Tepkili, Dikey Duvar Tipi



TY-B



TFP 161

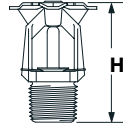


0.08 kg



[P.1.116]

Art. Nr. 568504001, W-Type 7
560006387, W-Type 6



For the most up-to-date technical information visit us online or speak to your local Sales contact

Для получения актуальной технической информации посетите наш сайт или обратитесь к местному торговому представителю.

En güncel teknik bilgiler için web sitemizi ziyaret edin veya yerel Satış yetkiliniz ile görüşün

K=80 [5.6] • 1/2" NPT • SIN TY3451 • H=63.5 mm [2-1/2"]

Art. Nr.	T °C [°F]	F	CE	IPCB	FM	UL	PAVUS
575751135	57 [135]	1	√	√	√	√	√
575751155	68 [155]	1	√	√	√	√	√
575751175	79 [175]	1	√	√	√	√	√
575751200	93 [200]	1	√	√	√	√	√
575751286	141 [286]	1	√	√	√	√	√
575751360	182 [360]	1	√	√	√	√	√
575753135	57 [135]	3	√	√	√	√	√
575753155	68 [155]	3	√	√	√	√	√
575753175	79 [175]	3	√	√	√	√	√
575753200	93 [200]	3	√	√	√	√	√
575753286	141 [286]	3	√	√	√	√	√
575753360	182 [360]	3	√	√	√	√	√
575759135	57 [135]	9	√	√	√	√	√
575759155	68 [155]	9	√	√	√	√	√
575759175	79 [175]	9	√	√	√	√	√
575759200	93 [200]	9	√	√	√	√	√
575759286	141 [286]	9	√	√	√	√	√
575759360	182 [360]	9	√	√	√	√	√
575756135	57 [135]	6			√	√	
575756155	68 [155]	6			√	√	
575756175	79 [175]	6			√	√	
575756200	93 [200]	6			√	√	
575756286	141 [286]	6			√	√	

Standard Coverage Sprinklers, Special Response, Upright

- R** Спринклеры со стандартной площадью орошения, специального реагирования, розеткой вверх
T Standart Kaplama Alanlı Sprinklerler, Özel Tepkili, Yukarı Bakan



TY-B



TFP 672

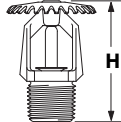


0.08 kg



[P.1.116]

Art. Nr. 568504001, W-Type 7
560006387, W-Type 6



For the most up-to-date technical information visit us online or speak to your local Sales contact

Для получения актуальной технической информации посетите наш сайт или обратитесь к местному торговому представителю.

En güncel teknik bilgiler için web sitemizi ziyaret edin veya yerel Satış yetkiliniz ile görüşün

K=57 [4.0] • 3/8" NPT • SIN TY2149 • H=55.6 mm [2-3/16"]

Art. Nr.	T °C [°F]	F	CE	VDS
574801135	57 [135]	1	√	√
574801155	68 [155]	1	√	√
574801175	79 [175]	1	√	√
574801200	93 [200]	1	√	√
574801286	141 [286]	1	√	√
574801360	182 [360]	1	√	√
574803135	57 [135]	3	√	√
574803155	68 [155]	3	√	√
574803175	79 [175]	3	√	√
574803200	93 [200]	3	√	√
574803286	141 [286]	3	√	√
574803360	182 [360]	3	√	√
574809135	57 [135]	9	√	√
574809155	68 [155]	9	√	√
574809175	79 [175]	9	√	√
574809200	93 [200]	9	√	√
574809286	141 [286]	9	√	√
574809360	182 [360]	9	√	√

K=80 [5.6] • 1/2" NPT • SIN TY3141 • H=55.6 mm [2-3/16"]

Art. Nr.	T °C [°F]	F	CE	VDS
574701135	57 [135]	1	√	√
574701155	68 [155]	1	√	√
574701175	79 [175]	1	√	√
574701200	93 [200]	1	√	√
574701286	141 [286]	1	√	√
574701360	182 [360]	1	√	√
574703135	57 [135]	3	√	√
574703155	68 [155]	3	√	√
574703175	79 [175]	3	√	√
574703200	93 [200]	3	√	√
574703286	141 [286]	3	√	√
574703360	182 [360]	3	√	√
574709135	57 [135]	9	√	√
574709155	68 [155]	9	√	√
574709175	79 [175]	9	√	√
574709200	93 [200]	9	√	√
574709286	141 [286]	9	√	√
574709360	182 [360]	9	√	√

K=115 [8.0] • 3/4" NPT • SIN TY4141 • H=55.6 mm [2-3/16"]

Art. Nr.	T °C [°F]	F	CE	VDS
574901135	57 [135]	1	√	√
574901155	68 [155]	1	√	√
574901175	79 [175]	1	√	√
574901200	93 [200]	1	√	√
574901286	141 [286]	1	√	√
574901360	182 [360]	1	√	√
574903135	57 [135]	3	√	√
574903155	68 [155]	3	√	√
574903175	79 [175]	3	√	√
574903200	93 [200]	3	√	√
574903286	141 [286]	3	√	√
574903360	182 [360]	3	√	√
574909135	57 [135]	9	√	√
574909155	68 [155]	9	√	√
574909175	79 [175]	9	√	√
574909200	93 [200]	9	√	√
574909286	141 [286]	9	√	√
574909360	182 [360]	9	√	√

Standard Coverage Sprinklers, Special Response, [Recessed] Pendant

- R** Спринклеры со стандартной площадью орошения, специального реагирования, [утопленные] розеткой вниз
T Standart Kaplama Alanlı Sprinklerler, Özel Tepkili, [Gömme] Aşağı Bakan



TY-B



TFP 672

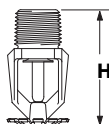


0.08 kg



[P.1.116]

Art. Nr. 568504001, W-Type 7
560006387, W-Type 6



For the most up-to-date technical information visit us online or speak to your local Sales contact

Для получения актуальной технической информации посетите наш сайт или обратитесь к местному торговому представителю.

En güncel teknik bilgiler için web sitemizi ziyaret edin veya yerel Satış yetkiliniz ile görüşün

K=57 [4.0] • 3/8" BSP • SIN TY2249 • H=55.6 mm [2-3/16"]

Art. Nr.	T °C [°F]	F	CE	VDS
574811135	57 [135]	1	√	√
574811155	68 [155]	1	√	√
574811175	79 [175]	1	√	√
574811200	93 [200]	1	√	√
574811286	141 [286]	1	√	√
574811360	182 [360]	1	√	√
574813135	57 [135]	3	√	√
574813155	68 [155]	3	√	√
574813175	79 [175]	3	√	√
574813200	93 [200]	3	√	√
574813286	141 [286]	3	√	√
574813360	182 [360]	3	√	√
574819135	57 [135]	9	√	√
574819155	68 [155]	9	√	√
574819175	79 [175]	9	√	√
574819200	93 [200]	9	√	√
574819286	141 [286]	9	√	√
574819360	182 [360]	9	√	√

K=80 [5.6] • 1/2" NPT • SIN TY3241 • H=55.6 mm [2-3/16"]

Art. Nr.	T °C [°F]	F	CE	VDS
574711135	57 [135]	1	√	√
574711155	68 [155]	1	√	√
574711175	79 [175]	1	√	√
574711200	93 [200]	1	√	√
574711286	141 [286]	1	√	√
574711360	182 [360]	1	√	√
574713135	57 [135]	3	√	√
574713155	68 [155]	3	√	√
574713175	79 [175]	3	√	√
574713200	93 [200]	3	√	√
574713286	141 [286]	3	√	√
574713360	182 [360]	3	√	√
574719135	57 [135]	9	√	√
574719155	68 [155]	9	√	√
574719175	79 [175]	9	√	√
574719200	93 [200]	9	√	√
574719286	141 [286]	9	√	√
574719360	182 [360]	9	√	√

K=115 [8.0] • 3/4" NPT • SIN TY4241 • H=55.6 mm [2-3/16"]

Art. Nr.	T °C [°F]	F	CE	VDS
574911135	57 [135]	1	√	√
574911155	68 [155]	1	√	√
574911175	79 [175]	1	√	√
574911200	93 [200]	1	√	√
574911286	141 [286]	1	√	√
574911360	182 [360]	1	√	√
574913135	57 [135]	3	√	√
574913155	68 [155]	3	√	√
574913175	79 [175]	3	√	√
574913200	93 [200]	3	√	√
574913286	141 [286]	3	√	√
574913360	182 [360]	3	√	√
574919135	57 [135]	9	√	√
574919155	68 [155]	9	√	√
574919175	79 [175]	9	√	√
574919200	93 [200]	9	√	√
574919286	141 [286]	9	√	√
574919360	182 [360]	9	√	√

Standard Coverage Sprinklers, Special Response, Conventional

- R** Спринклеры со стандартной площадью орошения, специального реагирования, универсальные
T Standart Kaplama Alanlı Sprinklerler, Özel Tepkili, Konvansiyonel



TY-B



TFP 663

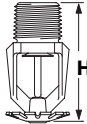


0.08 kg



[P.1.116]

Art. Nr. 568504001, W-Type 7
560006387, W-Type 6



For the most up-to-date technical information visit us online or speak to your local Sales contact

Для получения актуальной технической информации посетите наш сайт или обратитесь к местному торговому представителю.

En güncel teknik bilgiler için web sitemizi ziyaret edin veya yerel Satış yetkiliniz ile görüşün

K=80 [5.6] • 1/2" NPT • SIN TY3641 • H=55.6 mm [2-3/16"]

Art. Nr.	T °C [°F]	F	CE	VDS
574731135	57 [135]	1	√	√
574731155	68 [155]	1	√	√
574731175	79 [175]	1	√	√
574731200	93 [200]	1	√	√
574731286	141 [286]	1	√	√
574731360	182 [360]	1	√	√
574733135	57 [135]	3	√	√
574733155	68 [155]	3	√	√
574733175	79 [175]	3	√	√
574733200	93 [200]	3	√	√
574733286	141 [286]	3	√	√
574733360	182 [360]	3	√	√
574739135	57 [135]	9	√	√
574739155	68 [155]	9	√	√
574739175	79 [175]	9	√	√
574739200	93 [200]	9	√	√
574739286	141 [286]	9	√	√
574739360	182 [360]	9	√	√

K=115 [8.0] • 3/4" NPT • SIN TY4641 • H=55.6 mm [2-3/16"]

Art. Nr.	T °C [°F]	F	CE	VDS
574931135	57 [135]	1	√	√
574931155	68 [155]	1	√	√
574931175	79 [175]	1	√	√
574931200	93 [200]	1	√	√
574931286	141 [286]	1	√	√
574931360	182 [360]	1	√	√
574933135	57 [135]	3	√	√
574933155	68 [155]	3	√	√
574933175	79 [175]	3	√	√
574933200	93 [200]	3	√	√
574933286	141 [286]	3	√	√
574933360	182 [360]	3	√	√
574939135	57 [135]	9	√	√
574939155	68 [155]	9	√	√
574939175	79 [175]	9	√	√
574939200	93 [200]	9	√	√
574939286	141 [286]	9	√	√
574939360	182 [360]	9	√	√

Standard Coverage Sprinklers, Quick Response, Upright

- R** Спринклеры со стандартной площадью орошения, быстрого реагирования, розеткой вверх
- T** Standart Kaplama Alanlı Sprinklerler, Hızlı Tepkili, Yukarı Bakan



TY-FRB



TFP 171 / 172 / 670 [K=57]

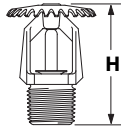


0.08 kg



Art. Nr. 568504001, W-Type 7
560006387, W-Type 6

[P.1.116]



For the most up-to-date technical information visit us online or speak to your local Sales contact

Для получения актуальной технической информации посетите наш сайт или обратитесь к местному торговому представителю.

En güncel teknik bilgiler için web sitemizi ziyaret edin veya yerel Satış yetkiliniz ile görüşün

K=40 [2.8] • 1/2" NPT • SIN TY1131 • H=55.6 mm [2-3/16"]							
Art. Nr.	T °C [°F]	F	FM	UL	CNBP	VM	OKF
573301135	57 [135]	1	✓	✓	✓	✓	✓
573301155	68 [155]	1	✓	✓	✓	✓	✓
573301175	79 [175]	1	✓	✓	✓	✓	✓
573301200	93 [200]	1	✓	✓	✓	✓	✓
573301286	141 [286]	1	✓	✓	✓	✓	✓
573303135	57 [135]	3	✓	✓	✓	✓	✓
573303155	68 [155]	3	✓	✓	✓	✓	✓
573303175	79 [175]	3	✓	✓	✓	✓	✓
573303200	93 [200]	3	✓	✓	✓	✓	✓
573303286	141 [286]	3	✓	✓	✓	✓	✓
573309135	57 [135]	9	✓	✓	✓	✓	✓
573309155	68 [155]	9	✓	✓	✓	✓	✓
573309175	79 [175]	9	✓	✓	✓	✓	✓
573309200	93 [200]	9	✓	✓	✓	✓	✓
573309286	141 [286]	9	✓	✓	✓	✓	✓

K=80 [5.6] • 1/2" NPT • SIN TY313 • H=55.6 mm [2-3/16"]										
Art. Nr.	T °C [°F]	F	CE	VDS	LPCB*	FM	UL	CNBP	VM	OKF
773701135	57 [135]	1	✓	✓	✓	✓	✓	✓	✓	✓
773701155	68 [155]	1	✓	✓	✓	✓	✓	✓	✓	✓
773701175	79 [175]	1	✓	✓	✓	✓	✓	✓	✓	✓
773701200	93 [200]	1	✓	✓	✓	✓	✓	✓	✓	✓
773701286	141 [286]	1	✓	✓	✓	✓	✓	✓	✓	✓
773703135	57 [135]	3	✓	✓	✓	✓	✓	✓	✓	✓
773703155	68 [155]	3	✓	✓	✓	✓	✓	✓	✓	✓
773703175	79 [175]	3	✓	✓	✓	✓	✓	✓	✓	✓
773703200	93 [200]	3	✓	✓	✓	✓	✓	✓	✓	✓
773703286	141 [286]	3	✓	✓	✓	✓	✓	✓	✓	✓
773709135	57 [135]	9	✓	✓	✓	✓	✓	✓	✓	✓
773709155	68 [155]	9	✓	✓	✓	✓	✓	✓	✓	✓
773709175	79 [175]	9	✓	✓	✓	✓	✓	✓	✓	✓
773709200	93 [200]	9	✓	✓	✓	✓	✓	✓	✓	✓
773709286	141 [286]	9	✓	✓	✓	✓	✓	✓	✓	✓

K=115 [8.0] • 3/4" NPT • SIN TY4131 • H=57.2 mm [2-1/4"]										
Art. Nr.	T °C [°F]	F	CE	VDS	LPCB*	FM	UL	CNBP	VM	OKF
573901135	57 [135]	1	✓	✓	✓	✓	✓	✓	✓	✓
573901155	68 [155]	1	✓	✓	✓	✓	✓	✓	✓	✓
573901175	79 [175]	1	✓	✓	✓	✓	✓	✓	✓	✓
573901200	93 [200]	1	✓	✓	✓	✓	✓	✓	✓	✓
573901286	141 [286]	1	✓	✓	✓	✓	✓	✓	✓	✓
573903135	57 [135]	3	✓	✓	✓	✓	✓	✓	✓	✓
573903155	68 [155]	3	✓	✓	✓	✓	✓	✓	✓	✓
573903175	79 [175]	3	✓	✓	✓	✓	✓	✓	✓	✓
573903200	93 [200]	3	✓	✓	✓	✓	✓	✓	✓	✓
573903286	141 [286]	3	✓	✓	✓	✓	✓	✓	✓	✓
573909135	57 [135]	9	✓	✓	✓	✓	✓	✓	✓	✓
573909155	68 [155]	9	✓	✓	✓	✓	✓	✓	✓	✓
573909175	79 [175]	9	✓	✓	✓	✓	✓	✓	✓	✓
573909200	93 [200]	9	✓	✓	✓	✓	✓	✓	✓	✓
573909286	141 [286]	9	✓	✓	✓	✓	✓	✓	✓	✓

K=57 [4.0] • 3/8" ISO • SIN TY2109 • H=53.0 mm [2-1/11"]										
Art. Nr.	T °C [°F]	F	CE	VDS	LPCB*	FM	UL	CNBP	VM	OKF
573801135	57 [135]	1	✓	✓	✓	✓	✓	✓	✓	✓
573801155	68 [155]	1	✓	✓	✓	✓	✓	✓	✓	✓
573801175	79 [175]	1	✓	✓	✓	✓	✓	✓	✓	✓
573801200	93 [200]	1	✓	✓	✓	✓	✓	✓	✓	✓
573801286	141 [286]	1	✓	✓	✓	✓	✓	✓	✓	✓
573803135	57 [135]	3	✓	✓	✓	✓	✓	✓	✓	✓
573803155	68 [155]	3	✓	✓	✓	✓	✓	✓	✓	✓
573803175	79 [175]	3	✓	✓	✓	✓	✓	✓	✓	✓
573803200	93 [200]	3	✓	✓	✓	✓	✓	✓	✓	✓
573803286	141 [286]	3	✓	✓	✓	✓	✓	✓	✓	✓
573809135	57 [135]	9	✓	✓	✓	✓	✓	✓	✓	✓
573809155	68 [155]	9	✓	✓	✓	✓	✓	✓	✓	✓
573809175	79 [175]	9	✓	✓	✓	✓	✓	✓	✓	✓
573809200	93 [200]	9	✓	✓	✓	✓	✓	✓	✓	✓
573809286	141 [286]	9	✓	✓	✓	✓	✓	✓	✓	✓

*See datasheets / См. паспорта данных / Bkz. veri sayfaları

Standard Coverage Sprinklers, Quick Response, Upright

- R** Спринклеры со стандартной площадью орошения, быстрого реагирования, розеткой вверх
- T** Standart Kaplama Alanlı Sprinklerler, Hızlı Tepkili, Yukarı Bakant



TFP 130

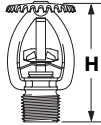


0.09 kg



[P.1.116]

**Art. Nr. 560001849, W-Type 9
560001948, W-Type 10**



For the most up-to-date technical information visit us online or speak to your local Sales contact

Для получения актуальной технической информации посетите наш сайт или обратитесь к местному торговому представителю.

En güncel teknik bilgiler için web sitemizi ziyaret edin veya yerel Satış yetkiliniz ile görüşün

K=40 [2.8] • 1/2" NPT • SIN TY1121 • H=68.3 mm [2-11/16"]

Art. Nr.	T °C [°F]	F	CE	FM	UL
589731165	74 [165]	1	√	√	√
589731212	100 [212]	1	√	√	√
589739165	74 [165]	9	√	√	√
589739212	100 [212]	9	√	√	√

K=80 [5.6] • 1/2" NPT • SIN TY3121 • H=68.3 mm [2-11/16"]

Art. Nr.	T °C [°F]	F	CE	LP	FM	UL
589741165	74 [165]	1	√	√	√	√
589741212	100 [212]	1	√	√	√	√
589749165	74 [165]	9	√	√	√	√
589749212	100 [212]	9	√	√	√	√

K=115 [8.0] • 3/4" NPT • SIN TY4121 • H=71.4 mm [2-13/16"]

Art. Nr.	T °C [°F]	F	CE	FM	UL
581741165	74 [165]	1	√	√	√
581741212	100 [212]	1	√	√	√
581749165	74 [165]	9	√	√	√
581749212	100 [212]	9	√	√	√

Standard Coverage Sprinklers, Quick Response, [Recessed] Pendent

- R** Спринклеры со стандартной площадью орошения, быстрого реагирования, [утопленные] розеткой вниз
- T** Standart Kaplama Alanlı Sprinklerler, Hızlı Tepkili, [Gömme] Aşağı Bakan



TY-FRB



TFP 171 / 172 / 670 [K=57]



0.08 kg



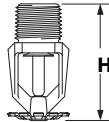
Art. Nr. 568504001, W-Type 7
560006387, W-Type 6

[P.1.116]



Style 10, 20, 30 & 40

[P.1.109]



For the most up-to-date technical information visit us online or speak to your local Sales contact

Для получения актуальной технической информации посетите наш сайт или обратитесь к местному торговому представителю.

En güncel teknik bilgiler için web sitemizi ziyaret edin veya yerel Satış yetkiliniz ile görüşün

K=40 [2.8] • 1/2" NPT • SIN TY1231 • H=57.2 mm [2-1/4"]										
Art. Nr.	T °C [°F]	F	CE	FM	UL	CNBP	VM	PAVUS	T/S/U	BM OKF
573311135	57 [135]	1	✓	✓	✓	✓	✓	✓	✓	✓
573311155	68 [155]	1	✓	✓	✓	✓	✓	✓	✓	✓
573311175	79 [175]	1	✓	✓	✓	✓	✓	✓	✓	✓
573311200	93 [200]	1	✓	✓	✓	✓	✓	✓	✓	✓
573311286	141 [286]	1	✓	✓	✓	✓	✓	✓	✓	✓
573313135	57 [135]	3	✓	✓	✓	✓	✓	✓	✓	✓
573313155	68 [155]	3	✓	✓	✓	✓	✓	✓	✓	✓
573313175	79 [175]	3	✓	✓	✓	✓	✓	✓	✓	✓
573313200	93 [200]	3	✓	✓	✓	✓	✓	✓	✓	✓
573313286	141 [286]	3	✓	✓	✓	✓	✓	✓	✓	✓
573319135	57 [135]	9	✓	✓	✓	✓	✓	✓	✓	✓
573319155	68 [155]	9	✓	✓	✓	✓	✓	✓	✓	✓
573319175	79 [175]	9	✓	✓	✓	✓	✓	✓	✓	✓
573319200	93 [200]	9	✓	✓	✓	✓	✓	✓	✓	✓
573319286	141 [286]	9	✓	✓	✓	✓	✓	✓	✓	✓

K=80 [5.6] • 1/2" NPT • SIN TY323 • H=55.6 mm [2-3/16"]												
Art. Nr.	T °C [°F]	F	CE	VDS	LPGB*	FM	UL	CNBP	VM	PAVUS	T/S/U	BM OKF
773711135	57 [135]	1	✓	✓	✓	✓	✓	✓	✓	✓	✓	✓
773711155	68 [155]	1	✓	✓	✓	✓	✓	✓	✓	✓	✓	✓
773711175	79 [175]	1	✓	✓	✓	✓	✓	✓	✓	✓	✓	✓
773711200	93 [200]	1	✓	✓	✓	✓	✓	✓	✓	✓	✓	✓
773711286	141 [286]	1	✓	✓	✓	✓	✓	✓	✓	✓	✓	✓
773713135	57 [135]	3	✓	✓	✓	✓	✓	✓	✓	✓	✓	✓
773713155	68 [155]	3	✓	✓	✓	✓	✓	✓	✓	✓	✓	✓
773713175	79 [175]	3	✓	✓	✓	✓	✓	✓	✓	✓	✓	✓
773713200	93 [200]	3	✓	✓	✓	✓	✓	✓	✓	✓	✓	✓
773713286	141 [286]	3	✓	✓	✓	✓	✓	✓	✓	✓	✓	✓
773719135	57 [135]	9	✓	✓	✓	✓	✓	✓	✓	✓	✓	✓
773719155	68 [155]	9	✓	✓	✓	✓	✓	✓	✓	✓	✓	✓
773719175	79 [175]	9	✓	✓	✓	✓	✓	✓	✓	✓	✓	✓
773719200	93 [200]	9	✓	✓	✓	✓	✓	✓	✓	✓	✓	✓
773719286	141 [286]	9	✓	✓	✓	✓	✓	✓	✓	✓	✓	✓

K=115 [8.0] • 3/4" NPT • SIN TY4231 • H=58.7 mm [2-5/16"]												
Art. Nr.	T °C [°F]	F	CE	VDS	LPGB	FM	UL	CNBP	VM	PAVUS	T/S/U	BM OKF
573911135	57 [135]	1	✓	✓	✓	✓	✓	✓	✓	✓	✓	✓
573911155	68 [155]	1	✓	✓	✓	✓	✓	✓	✓	✓	✓	✓
573911175	79 [175]	1	✓	✓	✓	✓	✓	✓	✓	✓	✓	✓
573911200	93 [200]	1	✓	✓	✓	✓	✓	✓	✓	✓	✓	✓
573911286	141 [286]	1	✓	✓	✓	✓	✓	✓	✓	✓	✓	✓
573913135	57 [135]	3	✓	✓	✓	✓	✓	✓	✓	✓	✓	✓
573913155	68 [155]	3	✓	✓	✓	✓	✓	✓	✓	✓	✓	✓
573913175	79 [175]	3	✓	✓	✓	✓	✓	✓	✓	✓	✓	✓
573913200	93 [200]	3	✓	✓	✓	✓	✓	✓	✓	✓	✓	✓
573913286	141 [286]	3	✓	✓	✓	✓	✓	✓	✓	✓	✓	✓
573919135	57 [135]	9	✓	✓	✓	✓	✓	✓	✓	✓	✓	✓
573919155	68 [155]	9	✓	✓	✓	✓	✓	✓	✓	✓	✓	✓
573919175	79 [175]	9	✓	✓	✓	✓	✓	✓	✓	✓	✓	✓
573919200	93 [200]	9	✓	✓	✓	✓	✓	✓	✓	✓	✓	✓
573919286	141 [286]	9	✓	✓	✓	✓	✓	✓	✓	✓	✓	✓

K=57 [4.0] • 3/8" ISO • SIN TY2209 • H=55.0 mm [2-1/16"]												
Art. Nr.	T °C [°F]	F	CE	VDS	LPGB	FM	UL	CNBP	VM	PAVUS	T/S/U	BM OKF
573811135	57 [135]	1	✓	✓	✓	✓	✓	✓	✓	✓	✓	✓
573811155	68 [155]	1	✓	✓	✓	✓	✓	✓	✓	✓	✓	✓
573811175	79 [175]	1	✓	✓	✓	✓	✓	✓	✓	✓	✓	✓
573811200	93 [200]	1	✓	✓	✓	✓	✓	✓	✓	✓	✓	✓
573811286	141 [286]	1	✓	✓	✓	✓	✓	✓	✓	✓	✓	✓
573813135	57 [135]	3	✓	✓	✓	✓	✓	✓	✓	✓	✓	✓
573813155	68 [155]	3	✓	✓	✓	✓	✓	✓	✓	✓	✓	✓
573813175	79 [175]	3	✓	✓	✓	✓	✓	✓	✓	✓	✓	✓
573813200	93 [200]	3	✓	✓	✓	✓	✓	✓	✓	✓	✓	✓
573813286	141 [286]	3	✓	✓	✓	✓	✓	✓	✓	✓	✓	✓
573819135	57 [135]	9	✓	✓	✓	✓	✓	✓	✓	✓	✓	✓
573819155	68 [155]	9	✓	✓	✓	✓	✓	✓	✓	✓	✓	✓
573819175	79 [175]	9	✓	✓	✓	✓	✓	✓	✓	✓	✓	✓
573819200	93 [200]	9	✓	✓	✓	✓	✓	✓	✓	✓	✓	✓
573819286	141 [286]	9	✓	✓	✓	✓	✓	✓	✓	✓	✓	✓

*See datasheets / См. паспорта данных / Bkz. veri sayfaları

Standard Coverage Sprinklers, Quick Response, [Recessed] Pendent

- R** Спринклеры со стандартной площадью орошения, быстрого реагирования, [утопленные] розеткой вниз
- T** Standart Kaplama Alanlı Sprinklerler, Hızlı Tepkili, [Gömme] Aşağı Bakan



TFP 130



0.09 kg



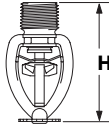
**Art. Nr. 560001849, W-Type 9
560001948, W-Type 10**

[P.1.116]



Style 10, 20, 30 & 40

[P.1.109]



For the most up-to-date technical information visit us online or speak to your local Sales contact

Для получения актуальной технической информации посетите наш сайт или обратитесь к местному торговому представителю.

En güncel teknik bilgiler için web sitemizi ziyaret edin veya yerel Satış yetkiliniz ile görüşün

K=40 [2.8] • 1/2" NPT • SIN TY1221 • H=68.3 mm [2-11/16"]

Art. Nr.	T	F
	°C [°F]	
589711165	74 [165]	1
589711212	100 [212]	1
589719165	74 [165]	9
589719212	100 [212]	9

K=80 [5.6] • 1/2" NPT • SIN TY3221 • H=68.3 mm [2-11/16"]

Art. Nr.	T	F	CE	LPG	FM	UL
	°C [°F]					
589821165	74 [165]	1	✓	✓	✓	✓
589821212	100 [212]	1	✓	✓	✓	✓
589829165	74 [165]	9	✓	✓	✓	✓
589829212	100 [212]	9	✓	✓	✓	✓

K=115 [8.0] • 3/4" NPT • SIN TY4221 • H=74.6 mm [2-15/16"]

Art. Nr.	T	F	CE	FM	UL
	°C [°F]				
581721165	74 [165]	1	✓	✓	✓
581721212	100 [212]	1	✓	✓	✓
581729165	74 [165]	9	✓	✓	✓
581729212	100 [212]	9	✓	✓	✓

Standard Coverage Sprinklers, Quick Response, Conventional

- R** Спринклеры со стандартной площадью орошения, быстрого реагирования, универсальные
- T** Standart Kaplama Alanlı Sprinklerler, Hızlı Tepkili, Konvansiyonel



TY-FRB



TFP 666/667

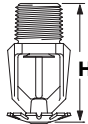


0.08 kg



[P.1.116]

Art. Nr. 568504001, W-Type 7
560006387, W-Type 6



For the most up-to-date technical information visit us online or speak to your local Sales contact

Для получения актуальной технической информации посетите наш сайт или обратитесь к местному торговому представителю.

En güncel teknik bilgiler için web sitemizi ziyaret edin veya yerel Satış yetkiliniz ile görüşün

K=80 [5.6] • 1/2" NPT • SIN TY363 • H=55.6 mm [2-3/16"]										
Art. Nr.	T °C [°F]	F	CE	VDS	LPCB*	UL	WNIPO	PAVUS	T/S/U	BM OKF
773731135	57 [135]	1	√	√	√	√	√	√	√	√
773731155	68 [155]	1	√	√	√	√	√	√	√	√
773731175	79 [175]	1	√	√	√	√	√	√	√	√
773731200	93 [200]	1	√	√	√	√	√	√	√	√
773731286	141 [286]	1	√	√	√	√	√	√	√	√
773733135	57 [135]	3	√	√	√	√	√	√	√	√
773733155	68 [155]	3	√	√	√	√	√	√	√	√
773733175	79 [175]	3	√	√	√	√	√	√	√	√
773733200	93 [200]	3	√	√	√	√	√	√	√	√
773733286	141 [286]	3	√	√	√	√	√	√	√	√
773739135	57 [135]	9	√	√	√	√	√	√	√	√
773739155	68 [155]	9	√	√	√	√	√	√	√	√
773739175	79 [175]	9	√	√	√	√	√	√	√	√
773739200	93 [200]	9	√	√	√	√	√	√	√	√
773739286	141 [286]	9	√	√	√	√	√	√	√	√

K=115 [8.0] • 3/4" NPT • SIN TY4631 • H=57.2 mm [2-1/4"]										
Art. Nr.	T °C [°F]	F	CE	VDS	LPCB*	UL	WNIPO	PAVUS	T/S/U	BM OKF
573931135	57 [135]	1	√	√	√	√	√	√	√	√
573931155	68 [155]	1	√	√	√	√	√	√	√	√
573931175	79 [175]	1	√	√	√	√	√	√	√	√
573931200	93 [200]	1	√	√	√	√	√	√	√	√
573931286	141 [286]	1	√	√	√	√	√	√	√	√
573933135	57 [135]	3	√	√	√	√	√	√	√	√
573933155	68 [155]	3	√	√	√	√	√	√	√	√
573933175	79 [175]	3	√	√	√	√	√	√	√	√
573933200	93 [200]	3	√	√	√	√	√	√	√	√
573933286	141 [286]	3	√	√	√	√	√	√	√	√
573939135	57 [135]	9	√	√	√	√	√	√	√	√
573939155	68 [155]	9	√	√	√	√	√	√	√	√
573939175	79 [175]	9	√	√	√	√	√	√	√	√
573939200	93 [200]	9	√	√	√	√	√	√	√	√
573939286	141 [286]	9	√	√	√	√	√	√	√	√

*See datasheets / См. паспорта данных / Bkz. veri sayfaları

Standard Coverage Sprinklers, Quick Response, [Recessed] Horizontal Sidewall

- R** Спринклеры со стандартной площадью орошения, быстрого реагирования, [утопленные] горизонтальные, настенные
- T** Standart Kaplama Alanlı Sprinklerler, Hızlı Tepkili, [Gömme] Yatay Duvar Tipi



TFP 176



0.08 kg



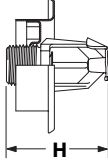
Art. Nr. 568504001, W-Type 7
560006387, W-Type 6

[P.1.116]



Style 10, 20, 30 & 40

[P.1.109]



For the most up-to-date technical information visit us online or speak to your local Sales contact

Для получения актуальной технической информации посетите наш сайт или обратитесь к местному торговому представителю.

En güncel teknik bilgiler için web sitemizi ziyaret edin veya yerel Satış yetkiliniz ile görüşün

K=80 [5.6] • 1/2" NPT • SIN TY3331 • H=55.6 mm [2-3/16"]

Art. Nr.	T °C [°F]	F	CE	LPCB	FM	UL	CNBP	VMIPO	PAVUS	BM/OKF
573781135	57 [135]	1	✓	✓	✓	✓	✓	✓	✓	✓
573781155	68 [155]	1	✓	✓	✓	✓	✓	✓	✓	✓
573781175	79 [175]	1	✓	✓	✓	✓	✓	✓	✓	✓
573781200	93 [200]	1	✓	✓	✓	✓	✓	✓	✓	✓
573781286	141 [286]	1	✓	✓	✓	✓	✓	✓	✓	✓
573783135	57 [135]	3	✓	✓	✓	✓	✓	✓	✓	✓
573783155	68 [155]	3	✓	✓	✓	✓	✓	✓	✓	✓
573783175	79 [175]	3	✓	✓	✓	✓	✓	✓	✓	✓
573783200	93 [200]	3	✓	✓	✓	✓	✓	✓	✓	✓
573783286	141 [286]	3	✓	✓	✓	✓	✓	✓	✓	✓
573789135	57 [135]	9	✓	✓	✓	✓	✓	✓	✓	✓
573789155	68 [155]	9	✓	✓	✓	✓	✓	✓	✓	✓
573789175	79 [175]	9	✓	✓	✓	✓	✓	✓	✓	✓
573789200	93 [200]	9	✓	✓	✓	✓	✓	✓	✓	✓
573789286	141 [286]	9	✓	✓	✓	✓	✓	✓	✓	✓

Standard Coverage Sprinklers, Quick Response, Horizontal Sidewall

- R** Спринклеры со стандартной площадью орошения, быстрого реагирования, горизонтальные, настенные
- T** Standart Kaplama Alanlı Sprinklerler, Hızlı Tepkili, Yatay Duvar Tipi



TFP 140

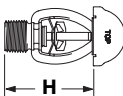


0.09 kg



Art. Nr. 560001849, W-Type 9

[P.1.116]



K=80 [5.6] • 1/2" NPT • SIN TY3321 • H=68.3 mm [2-11/16"]

Art. Nr.	T °C [°F]	F	CE	FM	UL
589461165	74 [165]	1	✓	✓	✓
589461212	100 [212]	1	✓	✓	✓
589469165	74 [165]	9	✓	✓	✓
589469212	100 [212]	9	✓	✓	✓

Standard Coverage Sprinklers, Quick Response, Vertical Sidewall

- R** Спринклеры со стандартной площадью орошения, быстрого реагирования, вертикальные, настенные
T Standart Kaplama Alanlı Sprinklerler, Hızlı Tepkili, Dikey Duvar Tipi



TY-FRB



TFP 176

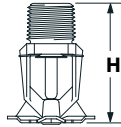


0.08 kg



[P.1.116]

Art. Nr. 568504001, W-Type 7
560006387, W-Type 6



For the most up-to-date technical information visit us online or speak to your local Sales contact

Для получения актуальной технической информации посетите наш сайт или обратитесь к местному торговому представителю.

En güncel teknik bilgiler için web sitemizi ziyaret edin veya yerel Satış yetkiliniz ile görüşün

K=80 [5.6] • 1/2" NPT • SIN TY3431 • H=55.6 mm [2-3/16"]

Art. Nr.	T °C [°F]	F	CE	IPCB	FM	UL	PAVUS
573751135	57 [135]	1	✓	✓	✓	✓	✓
573751155	68 [155]	1	✓	✓	✓	✓	✓
573751175	79 [175]	1	✓	✓	✓	✓	✓
573751200	93 [200]	1	✓	✓	✓	✓	✓
573751286	141 [286]	1	✓	✓	✓	✓	✓
573753135	57 [135]	3	✓	✓	✓	✓	✓
573753155	68 [155]	3	✓	✓	✓	✓	✓
573753175	79 [175]	3	✓	✓	✓	✓	✓
573753200	93 [200]	3	✓	✓	✓	✓	✓
573753286	141 [286]	3	✓	✓	✓	✓	✓
573759135	57 [135]	9	✓	✓	✓	✓	✓
573759155	68 [155]	9	✓	✓	✓	✓	✓
573759175	79 [175]	9	✓	✓	✓	✓	✓
573759200	93 [200]	9	✓	✓	✓	✓	✓
573759286	141 [286]	9	✓	✓	✓	✓	✓

Standard Coverage Sprinklers, Standard & Quick Response, Pendent Concealed

- R** Спринклеры со стандартной площадью орошения, стандартного и быстрого реагирования, скрытые розеткой вниз
- T** Standart Kaplama Alanlı Sprinklerler, Normal ve Hızlı Tepkili, Aşağı Bakan, Gizli kapaklı tip



RFII



TFP 181



0.21 kg



Art. Nr. 560001075

[P.1.116]

H

For the most up-to-date technical information visit us online or speak to your local Sales contact

Для получения актуальной технической информации посетите наш сайт или обратитесь к местному торговому представителю.

En güncel teknik bilgiler için web sitemizi ziyaret edin veya yerel Satış yetkiliniz ile görüşün

K=80 [5.6] • 1/2" NPT • SIN TY3551 • H=44.5-57.2 mm [1-3/4"-2-1/4"]

Art. Nr. Standard Стандартного реагирования Standart	T °C [°F]	F	CE	LPCB	FM	UL	CNBOP	VNIIPPO
517903155	68 [155]	3	√	√	√	√	√	√
517903200	93 [200]	3	√	√	√	√	√	√
517904155	68 [155]	4	√	√	√	√	√	√
517904200	93 [200]	4	√	√	√	√	√	√
517909155	68 [155]	9	√	√	√	√	√	√
517909200	93 [200]	9	√	√	√	√	√	√

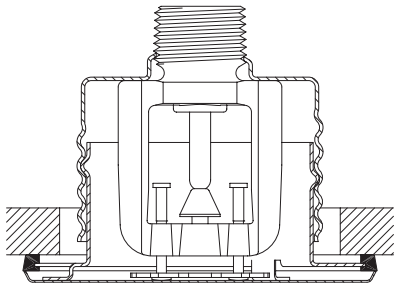
UL Max. 17.3 Bar [250 Psi] Others Max. 12.1 Bar [175 Psi]

K=80 [5.6] • 1/2" NPT • SIN TY3531 • H=44.5-57.2 mm [1-3/4"-2-1/4"]

Art. Nr. Quick Быстрого реагирования Hızlı	T °C [°F]	F	VDS	CE	UL	CNBOP	VNIIPPO
517923155	68 [155]	3	√	√	√	√	√
517923200	93 [200]	3	√	√	√	√	√
517924155	68 [155]	4	√	√	√	√	√
517924200	93 [200]	4	√	√	√	√	√
517929155	68 [155]	9	√	√	√	√	√
517929200	93 [200]	9	√	√	√	√	√

UL Max. 17.3 Bar [250 Psi] Others Max. 12.1 Bar [175 Psi]

Other finishes available on request / Другие виды отделки доступны под заказ / Farklı tipte kaplamalar talep üzerine temin edilebilmektedir.mevcuttur



Clean Room Seal • Уплотнитель подрозетника для применения в чистых помещениях • Temiz Oda Sprinkler Contası

Art. Nr. Standard Стандартного реагирования Standart	Weight Kg	Availability
569081001	0.01	√

Standard Coverage Sprinkler, Quick Response, Flush Pendent

R Спринклеры со стандартной площадью орошения, быстрого реагирования, устанавливаемые заподлицо розеткой вниз

T Normal Kaplama Alanlı Sprinkler, Hızlı Tepkili, Flush, Aşağı Bakan



FSC



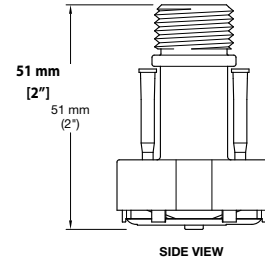
TFP 645



0.200 kg



Art. nr. 563141001



SIDE VIEW

K=80[5.6] . 1/2" ISO . SIN TY3200 . H=51 mm [2"]

Art. Nr. Sprinkler Спринклер Sprinkler	T °C [°F]	F	VDS
503134165	74 [165]	4	V
503139165	74 [165]	9	V

Escutcheon / Подрозетник / Rozet

Art. Nr.	F
503134010	4
503139010	9

This sprinkler comes with 2 adaptors mentioned below. These adaptors are needed to fit in the MLC-S piping systems.

Данный спринклер поставляется с 2 переходниками, указанными ниже. Данные переходники необходимы для установки в систему трубопроводов MLC-S. Bu sprinkler aşağıda belirtilen 2 adaptörü ile birlikte gelir. MLC-S boru sistemlerinin montajında bu adaptörlere gereksinim vardır.

Adaptor / Переходник / Adaptör

Art. Nr. Adaptor Переходник Adaptor	Dimension Abmessung Çap
913131008	3/8" FT - 1/2" MT ISO
913131007	1/2" FT - 3/4" MT ISO



TY-QRF-EU



TFP 191

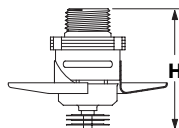


0.150 kg



Art. Nr. 560004948

[P.1.116]



For the most up-to-date technical information visit us online or speak to your local Sales contact

Для получения актуальной технической информации посетите наш сайт или обратитесь к местному торговому представителю.

En güncel teknik bilgiler için web sitemizi ziyaret edin veya yerel Satış yetkiliniz ile görüşün

K=80[5.6] . 1/2" NPT . SIN TY3260 . H=61.9 mm [2-7/16"]

Art. Nr. Sprinkler Спринклер Sprinkler	T °C [°F]	F	LPCB
532614162E	72 [162]	4	✓
532619162E	72 [162]	9	✓

Art. Nr. Escutcheon Подрозетник Rozet	F	LPCB
561234001E	4	✓
561239001E	9	✓

Extended Coverage Sprinklers

- R** Спринклеры с расширенной площадью орошения
- T** Genişletilmiş Kaplama Alanlı Sprinklerler

Standard/Quick Response, [Recessed]

Стандартного/быстрого реагирования, [утопленные]
Normal/ Hızlı Tepkili, [Gömme]

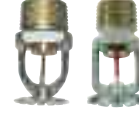


EC-11 & EC-14

P. 1.028

Quick Response, [Recessed]

Быстрого реагирования, [утопленные]
Hızlı Tepkili, [Gömme]



EC-8 & EC-5

P. 1.029

Enhanced Protection Pendent

С повышенной степенью защиты, розеткой вниз
Arttırılmış Korumaya Sahip, Aşağı Bakan



EPEC

P. 1.030

Quick Response, [Recessed] Horizontal Sidewall

Быстрого реагирования, [утопленные] горизонтальные, настенные
Hızlı Tepkili, [Gömme] Yatay Duvar Tipi



TY-FRB

P. 1.031

Quick Response, [Recessed] Horizontal Sidewall

Быстрого реагирования, [утопленные] горизонтальные, настенные
Hızlı Tepkili, [Gömme] Yatay Duvar Tipi



EC-5

P. 1.031

Quick Response, [Recessed] Horizontal Sidewall

Быстрого реагирования, [утопленные] горизонтальные, настенные
Hızlı Tepkili, [Gömme] Yatay Duvar Tipi



EC-HS

P. 1.032

Quick Response, Horizontal Sidewall

Быстрого реагирования, горизонтальные, настенные
Hızlı Tepkili, Yatay Duvar Tipi



TY-FRL

P. 1.033

Quick Response, ELO Horizontal Sidewall

Быстрого реагирования, горизонтальные типа ELO, настенные
Hızlı Tepkili, Ekstra Geniş Orifis, Yatay Duvar Tipi



ELO-SW20 ECOH

P. 1.034

Quick Response, ELO Horizontal Sidewall

Быстрого реагирования, горизонтальные типа ELO, настенные
Hızlı Tepkili, Ekstra Geniş Orifis, Yatay Duvar Tipi



ELO-SW24 ECOH

P. 1.034

Pendent Concealed

Скрытые розеткой вниз
Aşağı Bakan, Gizli Kapaklı tip



RFII & ELOC

P. 1.035

Horizontal Sidewall Concealed

Горизонтальные, скрытые, настенные
Yatay Duvar Tipi, Gizli Kapaklı tip



CHEC

P. 1.036

Extended Coverage Sprinkler, Standard/Quick Response, [Recessed] EC-11 & EC-14

- R** Спринклеры с расширенной площадью орошения, стандартного/быстрого реагирования [утопленные] EC-11 и EC-14
T Geniřletilmiş Kaplama Alanlı Sprinklerler, Normal / Hızlı Tepki, [Gömme] EC-11 ve EC-14



EC-11 & EC-14



TFP 220



0.15 kg



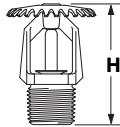
Art. Nr. 568951001, W-Type 3
566657001, W-Type 22

[P.1.116]



Style 30-40-60

[P.1.109]



For the most up-to-date technical information visit us online or speak to your local Sales contact

Для получения актуальной технической информации посетите наш сайт или обратитесь к местному торговому представителю.

En güncel teknik bilgiler için web sitemizi ziyaret edin veya yerel Satış yetkiliniz ile görüşün

K=160 [11.2] • 3/4" NPT • SIN TY5237 • H=61.9 mm [2-7/16"]					
Art. Nr. Pendent Розеткой вниз Аşağı Bakан	T °C [°F]	F	FM*	UL	
518931135	57 [135]	1	√	√	
518931155	68 [155]	1	√	√	
518931175	79 [175]	1	√	√	
518931200	93 [200]	1	√	√	
518934135	57 [135]	4	√	√	
518934155	68 [155]	4	√	√	
518934175	79 [175]	4	√	√	
518934200	93 [200]	4	√	√	
518939135	57 [135]	9	√	√	
518939155	68 [155]	9	√	√	
518939175	79 [175]	9	√	√	
518939200	93 [200]	9	√	√	

K=160 [11.2] • 3/4" NPT • SIN TY5137 • H=61.9 mm [2-7/16"]					
Art. Nr. Upright Розеткой вверх Yukarı Bakан	T °C [°F]	F	FM*	UL	
518941135	57 [135]	1	√	√	
518941155	68 [155]	1	√	√	
518941175	79 [175]	1	√	√	
518941200	93 [200]	1	√	√	
518944135	57 [135]	4	√	√	
518944155	68 [155]	4	√	√	
518944175	79 [175]	4	√	√	
518944200	93 [200]	4	√	√	
518949135	57 [135]	9	√	√	
518949155	68 [155]	9	√	√	
518949175	79 [175]	9	√	√	
518949200	93 [200]	9	√	√	

K=200 [14.0] • 3/4" NPT • SIN TY6237 • H=61.9 mm [2-7/16"]					
Art. Nr. Pendent Розеткой вниз Аşağı Bakан	T °C [°F]	F	FM*	UL	
518951135	57 [135]	1	√	√	
518951155	68 [155]	1	√	√	
518951175	79 [175]	1	√	√	
518951200	93 [200]	1	√	√	
518951286	141 [286]	1	√	√	
518954135	57 [135]	4	√	√	
518954155	68 [155]	4	√	√	
518954175	79 [175]	4	√	√	
518954200	93 [200]	4	√	√	
518954286	141 [286]	4	√	√	
518959135	57 [135]	9	√	√	
518959155	68 [155]	9	√	√	
518959175	79 [175]	9	√	√	
518959200	93 [200]	9	√	√	

K=200 [14.0] • 3/4" NPT • SIN TY6137 • H=61.9 mm [2-7/16"]					
Art. Nr. Upright Розеткой вверх Yukarı Bakан	T °C [°F]	F	FM*	UL	WNIPO
518961135	57 [135]	1	√	√	
518961155	68 [155]	1	√	√	√
518961175	79 [175]	1	√	√	
518961200	93 [200]	1	√	√	
518961286	141 [286]	1	√	√	
518964135	57 [135]	4	√	√	
518964155	68 [155]	4	√	√	√
518964175	79 [175]	4	√	√	
518964200	93 [200]	4	√	√	
518964286	141 [286]	4	√	√	
518969135	57 [135]	9	√	√	
518969155	68 [155]	9	√	√	√
518969175	79 [175]	9	√	√	
518969200	93 [200]	9	√	√	

*FM: depending on design criteria [see TFP220]

*Наличие одобрения FM: зависит от критериев проектирования [см. TFP220]

*FM: dizayn kriterlerine göre deęişir [bkz. TFP220]

Extended Coverage Sprinkler, Quick Response, [Recessed] EC-8/EC-5

R Спринклеры с расширенной площадью орошения, быстрого реагирования [утопленные] EC-8/EC-5

T Genişletilmiş Kaplama Alanlı Sprinklerler, Hızlı Tepkili, [Gömme] EC-8/EC-5



TFP 223



0.15 kg



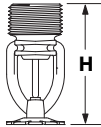
Art. Nr. 568951001, W-Type 3

[P.1.116]



Style 30 & 40

[P.1.109]



For the most up-to-date technical information visit us online or speak to your local Sales contact

Для получения актуальной технической информации посетите наш сайт или обратитесь к местному торговому представителю.

En güncel teknik bilgiler için web sitemizi ziyaret edin veya yerel Satış yetkiliniz ile görüşün

K=115 [8.0] • 3/4" NPT • SIN TY4232 • H=54.0 mm [2-1/8"]

Art. Nr.	T	F	UL	FM
	°C [°F]			
508011135	57 [135]	1	√	√
508011155	68 [155]	1	√	√
508014135	57 [135]	4	√	√
508014155	68 [155]	4	√	√
508019135	57 [135]	9	√	√
508019155	68 [155]	9	√	√



TFP 228



0.15 kg



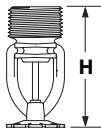
Art. Nr. 568504001, W-Type 7
560006387, W-Type 6

[P.1.117]



Style 50

[P.1.109]



K=80 [5.6] • 1/2" NPT • SIN TY3232 • H=52.4 mm [2-1/16"]

Art. Nr.	T	F	UL	FM
	°C [°F]			
510511135	57 [135]	1	√	
510511155	68 [155]	1	√	√
510514135	57 [135]	4	√	
510514155	68 [155]	4	√	√
510519135	57 [135]	9	√	
510519155	68 [155]	9	√	√

Enhanced Protection Extended Coverage Pendant Sprinkler

- R** Спринклеры с повышенной степенью защиты и расширенной площадью орошения, розеткой вниз
- T** Arttırılmış Korumalı Genişletilmiş Kaplama Alanlı Aşağı Bakan Sprinkler



TFP 221

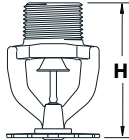


0.100 kg



Art. nr. 568951001, W-Type 3

[P.1.116]



For the most up-to-date technical information visit us online or speak to your local Sales contact

Для получения актуальной технической информации посетите наш сайт или обратитесь к местному торговому представителю.

En güncel teknik bilgiler için web sitemizi ziyaret edin veya yerel Satış yetkiliniz ile görüşün

K=115 [8.0] . 3/4" NPT . SIN TY4237 . H=64 mm

Art. Nr.	T °C [°F]	F	IPC8
551011135	57 [135]	1	√
551011155	68 [155]	1	√
551011175	79 [175]	1	√
551013135	57 [135]	3	√
551013155	68 [155]	3	√
551013175	79 [175]	3	√
551019135	57 [135]	9	√
551019155	68 [155]	9	√
551019175	79 [175]	9	√

Extended Coverage Sprinkler, Standard/Quick Response, [Recessed] Horizontal Sidewall

- R** Спринклеры с расширенной площадью орошения, стандартного/быстрого реагирования [утопленные], горизонтальные, настенные
T Genişletilmiş Kaplama Alanlı Sprinklerler, Normal / Hızlı Tepkili, [Gömme] Yatay Duvar Tipi



TY-FRB



TFP 296



0.08 kg



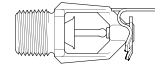
Art. Nr. 560006387, W-Type 6
568504001, W-Type 7

[P.1.116]



Style 10, 20, 30 & 40

[P.1.109]



For the most up-to-date technical information visit us online or speak to your local Sales contact

Для получения актуальной технической информации посетите наш сайт или обратитесь к местному торговому представителю.

En güncel teknik bilgiler için web sitemizi ziyaret edin veya yerel Satış yetkiliniz ile görüşün

K=80 [5.6] • 1/2" NPT • SIN TY3332 • H=55.6 mm [2-3/16"]

Art. Nr.	T °C [°F]	F	VDS	FM	UL	PAVUS	T/SU
573761135	57 [135]	1	√	√	√	√	√
573761155	68 [155]	1	√	√	√	√	√
573761175	79 [175]	1	√	√	√	√	√
573761200	93 [200]	1	√	√	√	√	√
573763135	57 [135]	3	√	√	√	√	√
573763155	68 [155]	3	√	√	√	√	√
573763175	79 [175]	3	√	√	√	√	√
573763200	93 [200]	3	√	√	√	√	√
573769135	57 [135]	9	√	√	√	√	√
573769155	68 [155]	9	√	√	√	√	√
573769175	79 [175]	9	√	√	√	√	√
573769200	93 [200]	9	√	√	√	√	√

K=115 [8.0] • 3/4" NPT • SIN TY4332 • H=57.2 mm [2-1/4"]

Art. Nr.	T °C [°F]	F	UL	FM	C/NBOP	PAVUS
573961135	57 [135]	1	√	√	√	√
573961155	68 [155]	1	√	√	√	√
573961175	79 [175]	1	√	√	√	√
573961200	93 [200]	1	√	√	√	√
573963135	57 [135]	3	√	√	√	√
573963155	68 [155]	3	√	√	√	√
573963175	79 [175]	3	√	√	√	√
573963200	93 [200]	3	√	√	√	√
573969135	57 [135]	9	√	√	√	√
573969155	68 [155]	9	√	√	√	√
573969175	79 [175]	9	√	√	√	√
573969200	93 [200]	9	√	√	√	√



EC-5



TFP 298



0.08 kg



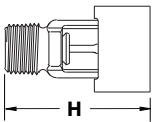
Art. Nr. 560006387, W-Type 6
568504001, W-Type 7

[P.1.117]



Style 50

[P.1.109]



K=80 [5.6] • 1/2" NPT • SIN TY3302 • H=63.5 mm [2-8/16"]

Art. Nr.	T °C [°F]	F	UL	FM
510531135	57 [135]	1	√	√
510531155	68 [155]	1	√	√
510531200	93 [200]	1	√	√
510533135	57 [135]	3	√	√
510533155	68 [155]	3	√	√
510533200	93 [200]	3	√	√
510539135	57 [135]	9	√	√
510539155	68 [155]	9	√	√
510539200	93 [200]	9	√	√

Extended Coverage Sprinkler, Quick Response, [Recessed] Horizontal Sidewall

- R** Спринклеры с расширенной площадью орошения, быстрого реагирования [утопленные], горизонтальные, настенные
- T** Genişletilmiş Kaplama Alanlı Sprinklerler, Hızlı Tepkili, [Gömme] Yatay Duvar Tipi



EC-HS



TFP 288



0.08 kg



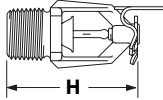
**Art. Nr. 560006387, W-Type 6
568504001, W-Type 7**

[P.1.116]



Style 10, 20

[P.1.109]



K=80 [5.6] • 1/2" NPT • SIN TY3330 • H=67.6 mm [2.2/3"]

Art. Nr.	T °C [°F]	F	VDS
573671135	57 [135]	1	√
573671155	68 [155]	1	√
573671175	79 [175]	1	√
573673135	57 [135]	3	√
573673155	68 [155]	3	√
573673175	79 [175]	3	√
573679135	57 [135]	9	√
573679155	68 [155]	9	√
573679175	79 [175]	9	√

For the most up-to-date technical information visit us online or speak to your local Sales contact

Для получения актуальной технической информации посетите наш сайт или обратитесь к местному торговому представителю.

En güncel teknik bilgiler için web sitemizi ziyaret edin veya yerel Satış yetkiliniz ile görüşün

Extended Coverage Sprinkler, Quick Response, Horizontal Sidewall

- R Спринклеры с расширенной площадью орошения, быстрого реагирования, горизонтальные, настенные
- T Genişletilmiş Kaplama Alanlı Sprinklerler, Hızlı Tepkili, Yatay Duvar Tipi



TY-FRL



TFP 280

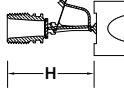


0.10 kg



Art. Nr. 560001849, W-Type 9

[P.1.116]



For the most up-to-date technical information visit us online or speak to your local Sales contact

Для получения актуальной технической информации посетите наш сайт или обратитесь к местному торговому представителю.

En güncel teknik bilgiler için web sitemizi ziyaret edin veya yerel Satış yetkiliniz ile görüşün

K=80 [5.6] • 1/2" NPT • SIN TY3322 • H=71.4 mm [2-13/16"]

Art. Nr.	T °C [°F]	F	FM	UL
589701140	60 [140]	1	√	√
589701165	74 [165]	1	√	√
589709140	60 [140]	9	√	√
589709165	74 [165]	9	√	√

K=115 [8.0] • 3/4" NPT • SIN TY4322 • H=71.4 mm [2-13/16"]

Art. Nr.	T °C [°F]	F	FM	UL
581701165	74 [165]	1	√	√
581709165	74 [165]	9	√	√

Extended Coverage Sprinkler, Standard Response, ELO Horizontal Sidewall

- R** Спринклеры с расширенной площадью орошения, стандартного реагирования, горизонтальные, настенные типа ELO
- T** Geniřletilmiř Kaplama Alanlı Sprinklerler, Normal Tepkili, ELO Yatay Duvar Tipi



ELO SW-20 ECOH



TFP 230

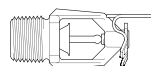


0.10 kg



Art. Nr. 5608951001, W-Type 3

[P.1.116]



For the most up-to-date technical information visit us online or speak to your local Sales contact

Для получения актуальной технической информации посетите наш сайт или обратитесь к местному торговому представителю.

En güncel teknik bilgiler için web sitemizi ziyaret edin veya yerel Satış yetkiliniz ile görüşün

K=160 [11.2] • 3/4" NPT • SIN TY5332 • H=79,4 mm [3-1/8"]

Art. Nr.	T °C [°F]	F	≡
510721155	68 [155]	1	√
510721200	93 [200]	1	√
510724155	68 [155]	4	√
510724200	93 [200]	4	√
510729155	68 [155]	9	√
510729200	93 [200]	9	√



ELO SW-24 ECOH



TFP 230

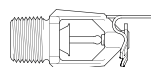


0.10 kg



Art. Nr. 568951001, W-Type 3

[P.1.116]



K=160 [11.2] • 3/4" NPT • SIN TY5337 • H=79,4 mm [3-1/8"]

Art. Nr.	T °C [°F]	F	≡
510731200	93 [200]	1	√
510734200	93 [200]	4	√
510739200	93 [200]	9	√

Extended Coverage Sprinklers, Pendent Concealed

- R** Спринклеры с расширенной площадью орошения, розеткой вниз, скрытые
- T** Genişletilmiş Kaplama Alanlı Sprinklerler, Aşağı Bakan, Gizli Kapaklı Tip



RFP



TFP 260

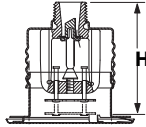


0.21 kg



Art. Nr. 560001075

[P.1.116]



For the most up-to-date technical information visit us online or speak to your local Sales contact

Для получения актуальной технической информации посетите наш сайт или обратитесь к местному торговому представителю.

En güncel teknik bilgiler için web sitemizi ziyaret edin veya yerel Satış yetkiliniz ile görüşün

K=80 [5.6] • 1/2" NPT • SIN TY3532 • H=44.5-57.2 mm [1-3/4"-2-1/4"]

Art. Nr. Standard/Quick Стандартные/Быстрого реагирования Normal/Hızlı	T °C [°F]	F	UL
517943155	68 [155]	3	✓
517943200	93 [200]	3	✓
517944155	68 [155]	4	✓
517944200	93 [200]	4	✓
517949155	68 [155]	9	✓
517949200	93 [200]	9	✓

Max. 12.1 Bar [175 Psi]

Other finishes available on request / Другие виды отделки доступны под заказ / Farklı tipte kaplamalar talep üzerine temin edilebilmektedir.mevcuttur



ELOC



TFP 250

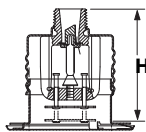


0.21 kg



Art. Nr. 560001265

[P.1.116]



K=160 [11.2] • 3/4" NPT • SIN TY5522 • H=54.0 mm [2-1/8"]

Art. Nr. Standard/Quick Стандартные/Быстрого реагирования Normal/Hızlı	T °C [°F]	F	UL
507013160	71 [160]	3	✓
507013212	100 [212]	3	✓
507014160	71 [160]	4	✓
507014212	100 [212]	4	✓
507019160	71 [160]	9	✓
507019212	100 [212]	9	✓

Max. 12.1 Bar [175 Psi]

Other finishes available on request / Другие виды отделки доступны под заказ / Farklı tipte kaplamalar talep üzerine temin edilebilmektedir.mevcuttur

Clean Room Seal • Уплотнитель подрозетника для применения в чистых помещениях
• Temiz Oda Sprinkler Contası

Art. Nr. Standard Стандартные Normal	kg	UL
569081001	0.01	✓

Extended Coverage Sprinklers, Horizontal Sidewall Concealed

- R** Спринклеры с расширенной площадью орошения, горизонтальные, настенные, скрытые
T Geniřletilmiş Kaplama Alanlı Sprinklerler, Yatay Duvar tipi, Gizli Kapaklı Tip



TFP 265

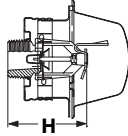


0.21 kg



Art. Nr. 568504001, W-Type 7

[P.1.116]



For the most up-to-date technical information visit us online or speak to your local Sales contact

Для получения актуальной технической информации посетите наш сайт или обратитесь к местному торговому представителю.

En güncel teknik bilgiler için web sitemizi ziyaret edin veya yerel Satış yetkiliniz ile görüşün

K=115 [8.0] • 3/4" NPT • SIN TY4332 • H=65.1-77.8 mm [2-9/16"-3-1/16"]

Art. Nr. Quick Быстрого реагирования Hızlı	T °C [°F]	F	UL	BM OKF
513963135	57 [135]	3	√	√
513963155	68 [155]	3	√	√
513964135	57 [135]	4	√	√
513964155	68 [155]	4	√	√
513969135	57 [135]	9	√	√
513969155	68 [155]	9	√	√

Other finishes available on request / Другие виды отделки доступны под заказ / Farklı tipte kaplamalar talep üzerine temin edilebilmektedir.mevcuttur

Storage Sprinklers

R Спринклеры для складских помещений

T Depo Tipi Sprinklerler

Standard Response, EC-25

Стандартного реагирования EC-25
Standart Tepkili, EC-25



EC-25

P. 1.040

Quick Response, Pendent, ESFR-25

Быстрого реагирования, розеткой вниз, ESFR-25
Hızlı Tepkili, Aşağı Bakan, ESFR-25



ESFR-25

P. 1.040

Quick Response, Pendent, ESFR-17

Быстрого реагирования, розеткой вниз, ESFR-17
Hızlı Tepkili, Aşağı Bakan, ESFR-17



ESFR-17

P. 1.041

Quick Response, Upright, ESFR-17

Быстрого реагирования, розеткой вверх, ESFR-17
Hızlı Tepkili, Yukarı Bakan, ESFR-17



ESFR-17

P. 1.041

Quick Response, Pendent, ESFR-17

Быстрого реагирования, розеткой вниз, ESFR-17
Hızlı Tepkili, Aşağı Bakan, ESFR-17



DRY ESFR-17

P. 1.042

Quick Response, Pendent, ESFR-1

Быстрого реагирования, розеткой вниз, ESFR-1
Hızlı Tepkili, Aşağı Bakan, ESFR-1



ESFR-1

P. 1.042

Standard Response, Large Drop, LD

Стандартного реагирования, орошение крупными каплями, LD
Standart Tepkili, İri Damlalı, LD



LD

P. 1.043

Standard Response, Upright, Ultra K17

Стандартного реагирования, розеткой вниз, Ultra K17
Standart Tepkili, Yukarı Bakan, Ultra K17



ULTRA K17

P. 1.043

Standard Response, Pendent, K17-231

Стандартного реагирования, розеткой вниз, K17-231
Standart Tepkili, Aşağı Bakan, K17-231



K17-231

P. 1.044

Standard Response, Upright, K17-231

Стандартного реагирования, розеткой вверх, K17-231
Standart Tepkili, Yukarı Bakan, K17-231



K17-231

P. 1.044

Standard Response, Pendent, ELO-231B

Стандартного реагирования, розеткой вниз, ELO-231B
Standart Tepkili, Aşağı Bakan, ELO-231B



ELO-231B

P. 1.045

Storage Sprinklers

R Спринклеры для складских помещений

T Depo Tipi Sprinklerler

Standard Response, Upright, ELO-231B

Стандартного реагирования, розеткой вверх, ELO-231B
Standart Tepkili, Yukarı Bakan, ELO-231B



ELO-231B

P. 1.045

Standard Response, Pendent, ELO-231

Стандартного реагирования, розеткой вниз, ELO-231
Standart Tepkili, Aşağı Bakan, ELO-231



ELO-231

P. 1.046

Standard Response, Upright, ELO-231

Стандартного реагирования, розеткой вверх, ELO-231
Standart Tepkili, Yukarı Bakan, ELO-231



ELO-231

P. 1.046

Quick Response, Pendent, ELO-231 FRB

Быстрого реагирования, розеткой вниз, ELO-231 FRB
Hızlı Tepkili, Aşağı Bakan, ELO-231 FRB



ELO-231 FRB

P. 1.047

Quick Response, Upright, ELO-231 FRB

Быстрого реагирования, розеткой вверх, ELO-231 FRB
Hızlı Tepkili, Yukarı Bakan, ELO-231 FRB



ELO-231 FRB

P. 1.047

Standard Response, Intermediate Level, Upright W/Shield

Стандартного реагирования, межстеллажные, розеткой вверх, с защитной пластиной
Standart Tepkili, Ara Seviyeler İçin, Yukarı Bakan, Koruma Kalkanlı



TY-B

P. 1.048

Standard Response, Intermediate Level, Upright W/Shield

Стандартного реагирования, межстеллажные, розеткой вверх, с защитной пластиной
Standart Tepkili, Ara Seviyeler İçin, Yukarı Bakan, Koruma Kalkanlı



TY-L

P. 1.048

Quick Response, Intermediate Level, Upright W/Shield

Быстрого реагирования, межстеллажные, розеткой вверх, с защитной пластиной
Hızlı Tepkili, Ara Seviyeler İçin, Yukarı Bakan, Koruma Kalkanlı



TY-FRB

P. 1.049

Quick Response, Intermediate Level, Upright W/Shield

Быстрого реагирования, межстеллажные, розеткой вверх, с защитной пластиной
Hızlı Tepkili, Ara Seviyeler İçin, Yukarı Bakan, Koruma Kalkanlı



TY-FRL

P. 1.049

Intermediate Level, Shield for Pendent Sprinklers

Межстеллажный ороситель, защитная пластина для спринклеров розеткой вниз
Ara Seviyeler İçin Aşağı Bakan Sprinklerlere Uygun Koruma Kalkanı



TY-B&TY-FRB

P. 1.050

Intermediate Level, Shield for Pendent Sprinklers

Межстеллажный ороситель, защитная пластина для спринклеров розеткой вниз
Ara Seviyeler İçin Aşağı Bakan Sprinklerlere Uygun Koruma Kalkanı



TY-B&TY-FRB

P. 1.050

Storage Sprinklers

R Спринклеры для складских помещений

T Depo Tipi Sprinklerler

Intermediate Level, Shield for Pendent Sprinklers

Межстеллажный ороситель, защитная пластина для спринклеров розеткой вниз
Ara Seviyeler İçin Aşağı Bakan Sprinklerlere Uygun Koruma Kalkanı



TY-B&TY-FRB

P. 1.051

Intermediate Level, Shield for Pendent Sprinklers

Межстеллажный ороситель, защитная пластина для спринклеров розеткой вниз
Ara Seviyeler İçin Aşağı Bakan Sprinklerlere Uygun Koruma Kalkanı



TY-L&TY-FRL

P. 1.052

Storage Area/Density Sprinkler, Standard Response, EC-25

- R** Спринклер для складских помещений с расширенной зоной орошения, стандартного реагирования, EC-25
- T** Depo Alanı / Yüksek Yoğunluklu Sprinkler, Standart Tepkili, EC-25



EC-25



TFP 213

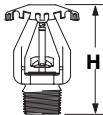


0.20 kg



Art. Nr. 568721025, W-Type 1

[P.1.116]



For the most up-to-date technical information visit us online or speak to your local Sales contact

Для получения актуальной технической информации посетите наш сайт или обратитесь к местному торговому представителю.

En güncel teknik bilgiler için web sitemizi ziyaret edin veya yerel Satış yetkiliniz ile görüşün

K=363[25.2] • 1" ISO • SIN TY9128 • H=95.3 [3-3/4"]

Art. Nr.	T °C [°F]	F	FM	UL
584511165	74 [165]	1	√	√
584511214	101 [214]	1	√	√

K=363[25.2] • 1" NPT • SIN TY9128 • H=95.3 [3-3/4"]

Art. Nr.	T °C [°F]	F	FM	UL
584501165	74 [165]	1	√	√
584501214	101 [214]	1	√	√

Storage Sprinklers, Quick Response, ESFR-25

- R** Спринклеры для складских помещений, быстрого реагирования, ESFR-25
- T** Depo Tipi Sprinklerler, Hızlı Tepkili, ESFR-25



ESFR-25



TFP 312

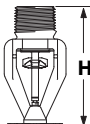


0.20 kg



Art. Nr. 568721025, W-Type 1

[P.1.116]



K=363 [25.2] • 1" ISO • SIN TY9226 • H=96.8 mm [3-13/16"]

Art. Nr. Pendent Розеткой вниз Aşağı Bakan	T °C [°F]	F	VDS	LPCB	FM	UL	CNBOP	WNIPO	PAVUS	T/S/U
584421165	74 [165]	1	√	√	√	√	√	√	√	√
584421214	101 [214]	1	√	√	√	√	√	√	√	√

K=363 [25.2] • 1" NPT • SIN TY9226 • H=96.8 mm [3-13/16"]

Art. Nr. Pendent Розеткой вниз Aşağı Bakan	T °C [°F]	F	VDS	LPCB	FM	UL	CNBOP	WNIPO	PAVUS	T/S/U
584411165	74 [165]	1	√	√	√	√	√	√	√	√
584411214	101 [214]	1	√	√	√	√	√	√	√	√

Storage Sprinklers, Quick Response, ESFR-17

R Спринклеры для складских помещений, быстрого реагирования, ESFR-17

T Depo Tipi Sprinklerler, Hızlı Tepkili, ESFR-17



ESFR-17



TFP 315

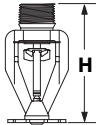


0.17 kg



Art. Nr. 560010686, W-Type 21

[P.1.116]



For the most up-to-date technical information visit us online or speak to your local Sales contact

Для получения актуальной технической информации посетите наш сайт или обратитесь к местному торговому представителю.

En güncel teknik bilgiler için web sitemizi ziyaret edin veya yerel Satış yetkiliniz ile görüşün

K=242 [16.8] • 3/4" NPT • SIN TY7226 • H=90.5 mm [3-9/16"]

Art. Nr. Розеткой вниз Aşağı Bakan	T °C [°F]	F	FM	UL	LPB	CNBP	PAVUS	T/S/U	VNIPO	VDS
584451165	74 [165]	1	✓	✓	✓	✓	✓	✓	✓	✓
584451214	101 [214]	1	✓	✓	✓	✓	✓	✓	✓	✓



ESFR-17



TFP 316

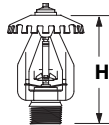


0.17 kg



Art. Nr. 560010686, W-Type 21

[P.1.116]



K=242 [16.8] • 3/4" NPT • SIN TY7126 • H=92.1 mm [3-5/8"]

Art. Nr. Розеткой вверх Yukarı Bakan	T °C [°F]	F	FM
584471165	74 [165]	1	✓
584471214	101 [214]	1	✓

Storage Sprinklers, Quick Response, ESFR-17/ESFR-1

R Спринклеры для складских помещений, быстрого реагирования, ESFR-17/ESFR-1

T Depo Tipi Sprinklerler, Hızlı Tepkili, ESFR-17/ESFR-1



DRY ESFR-17



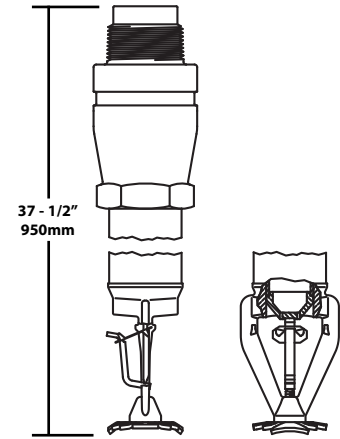
TFP 320



0.08 kg



Art. nr. 563411001, W-Type 26



K=242 [16.8] • 1 1/4" ISO • SIN TY7229 • H=950 mm [3 1/2"]				
Art. Nr. Upright Розеткой вверх Yükarı Bakan	T °C [°F]	F		
1614411360	74 [165]	1		✓
1614421360	101 [214]	1		✓



ESFR-1



TFP 318

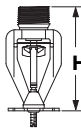


0.17 kg



Art. Nr. 568721001, W-Type 2

[P.1.116]



For the most up-to-date technical information visit us online or speak to your local Sales contact

Для получения актуальной технической информации посетите наш сайт или обратитесь к местному торговому представителю.

En güncel teknik bilgiler için web sitemizi ziyaret edin veya yerel Satış yetkiliniz ile görüşün

K=200 [14.0] • 3/4" NPT • SIN TY6226 • H=90.5 mm [3-9/16"]										
Art. Nr. Pendent Розеткой вниз Aşağı Bakan	T °C [°F]	F	VDS	LPFB	FM	UL	CNBP	PAVUS	T/S/U	BM O/F
584401165	74 [165]	1	✓	✓	✓	✓	✓	✓	✓	✓
584401214	101 [214]	1	✓	✓	✓	✓	✓	✓	✓	✓

Storage Sprinklers, Standard Response, Large Drop, LD

- R** Спринклеры для складских помещений, стандартного реагирования, орошение большими каплями, LD
- T** Depo Tipi Sprinklerler, Standart Tepkili, İri Damlalı, LD



TFP 335

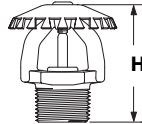


0.17 kg



Art. Nr. 568951001, W-Type 3

[P.1.116]



For the most up-to-date technical information visit us online or speak to your local Sales contact

Для получения актуальной технической информации посетите наш сайт или обратитесь к местному торговому представителю.

En güncel teknik bilgiler için web sitemizi ziyaret edin veya yerel Satış yetkiliniz ile görüşün

K=160 [11.2] • 3/4" NPT • SIN TY5153 • H=60.3 mm [2-3/4"]

Art. Nr. Upright Розеткой вверх Yukarı Bakan	T °C [°F]	F	UL
504002155	68 [155]	1	√
504002200	93 [200]	1	√
504002286	141 [286]	1	√

Storage Sprinklers, Standard Response, Upright, Ultra K17

- R** Спринклеры для складских помещений, стандартного реагирования, розеткой вверх, Ultra K17
- T** Depo Tipi Sprinklerler, Standart Tepkili, Yukarı Bakan, Ultra K17



TFP 330 / TFP 331[141°C]

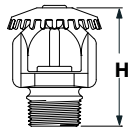


0.15 kg



Art. nr. 568921001, W-Type 8

[P.1.116]



K=242 [16.8] • 3/4" NPT • SIN TY7153 / TY7103[141°C] • H=60.3 mm [2-3/8"]

Art. Nr. Upright Розеткой вверх Yukarı Bakan	T °C [°F]	F	FM	UL
518871155	68 [155]	1	√	
518871200	93 [200]	1	√	√
518871286*	141 [286]	1	√	√

* for use with Quell systems/* для использования с системами Quell/* Quell sistemlerle kullanmak için

Storage Sprinklers, Standard Response, K17-231

R Спринклеры для складских помещений, стандартного реагирования, K17-231

T Depo Tipi Sprinklerler, Standart Tepkili, K17-231



K17-231



TFP 332

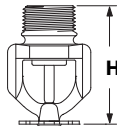


0.17 kg



[P.1.116]

Art. Nr. 568921001, W-Type 8



For the most up-to-date technical information visit us online or speak to your local Sales contact

Для получения актуальной технической информации посетите наш сайт или обратитесь к местному торговому представителю.

En güncel teknik bilgiler için web sitemizi ziyaret edin veya yerel Satış yetkiliniz ile görüşün

K=242 [16.8] • 3/4" NPT • SIN TY7251 • H=60.3 mm [2-3/8"]

Art. Nr. Pendent Розеткой вниз Aşağı Bakan	T °C [°F]	F	UL
518891155	68 [155]	1	✓
518891200	93 [200]	1	✓
518891286	141 [286]	1	✓



K17-231



TFP 332

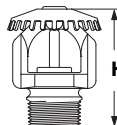


0.17 kg



[P.1.116]

Art. Nr. 568921001, W-Type 8



K=242 [16.8] • 3/4" NPT • SIN TY7151 • H=60.3 mm [2-3/8"]

Art. Nr. Upright Розеткой вверх Yukarı Bakan	T °C [°F]	F	FM	UL
518881155	68 [155]	1	✓	✓
518881200	93 [200]	1	✓	✓
518881286	141 [286]	1	✓	✓

Storage Sprinklers, Standard Response, ELO-231B

R Спринклеры для складских помещений, стандартного реагирования, ELO-231B

T Depo Tipi Sprinklerler, Standart Tepkili, ELO-231B



ELO-231B



TFP 342

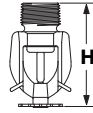


0.17 kg



Art. Nr. 568951001, W-Type 3

[P.1.116]



For the most up-to-date technical information visit us online or speak to your local Sales contact

Для получения актуальной технической информации посетите наш сайт или обратитесь к местному торговому представителю.

En güncel teknik bilgiler için web sitemizi ziyaret edin veya yerel Satış yetkiliniz ile görüşün

K=160 [11.2] • 3/4" NPT • SIN TY5251 • H=71.4 mm [2-13/16"]

Art. Nr. Pendent Розеткой вниз Aşağı Bakan	T °C [°F]	F	FM	UL	VdS
505121155	68 [155]	1	√	√	√
505121200	93 [200]	1	√	√	√
505121286	141 [286]	1	√	√	√
505129155	68 [155]	9	√	√	√
505129200	93 [200]	9	√	√	√
505129286	141 [286]	9	√	√	√



ELO-231B



TFP 342



0.17 kg



Art. Nr. 568951001, W-Type 3

[P.1.116]



K=160 [11.2] • 1/2" NPT • SIN TY5851 • H=71.4 mm [2-13/16"]

Art. Nr. Upright Розеткой вверх Yukarı Bakan	T °C [°F]	F	FM	UL	VdS
505011155	68 [155]	1	√	√	√
505011200	93 [200]	1	√	√	√
505011286	141 [286]	1	√	√	√

K=160 [11.2] • 3/4" NPT • SIN TY5151 • H=71.4 mm [2-13/16"]

Art. Nr. Upright Розеткой вверх Yukarı Bakan	T °C [°F]	F	FM	UL	VdS
505101155	68 [155]	1	√	√	√
505101200	93 [200]	1	√	√	√
505101286	141 [286]	1	√	√	√
505109155	68 [155]	9	√	√	√
505109200	93 [200]	9	√	√	√
505109286	141 [286]	9	√	√	√

Storage Sprinklers, Standard Response, ELO-231


R Спринклеры для складских помещений, быстрого реагирования, ELO-231

T Depo Tipi Sprinklerler, Standart Tepkili, ELO-231B

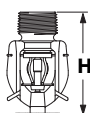


ELO-231

 **TFP 340**

 **0.17 kg**

 **Art. Nr. 568951001, W-Type 3**
[P.1.116]



For the most up-to-date technical information visit us online or speak to your local Sales contact

Для получения актуальной технической информации посетите наш сайт или обратитесь к местному торговому представителю.

En güncel teknik bilgiler için web sitemizi ziyaret edin veya yerel Satış yetkiliniz ile görüşün


K=160 [11.2] • 3/4" NPT • SIN TY5211 • H=71.4 mm [2-13/16"]


Art. Nr. Pendent Розеткой вниз Aşağı Bakan	T °C [°F]	F	FM	UL
501121165	74 [165]	1	√	√
501121212	100 [212]	1	√	√
501121286	141 [286]	1	√	√



ELO-231

 **TFP 340**

 **0.17 kg**

 **Art. Nr. 568951001, W-Type 3**
[P.1.116]



K=160 [11.2] • 1/2" NPT • SIN TY5811 • H=71.4 mm [2-13/16"]

Art. Nr. Upright Розеткой вверх Yukarı Bakan	T °C [°F]	F	FM	UL
502101165	74 [165]	1	√	√
502101212	100 [212]	1	√	√
502101286	141 [286]	1	√	√

K=160 [11.2] • 3/4" NPT • SIN TY5111 • H=71.4 mm [2-13/16"]

Art. Nr. Upright Розеткой вверх Yukarı Bakan	T °C [°F]	F	FM	UL
501101165	74 [165]	1	√	√
501101212	100 [212]	1	√	√
501101286	141 [286]	1	√	√

Storage Sprinklers, Quick Response, ELO-231 FRB

R Спринклеры для складских помещений, быстрого реагирования, ELO-231 FRB

T Depo Tipi Sprinklerler, Hızlı Tepkili, ELO-231 FRB



ELO-231 FRB



TFP 344

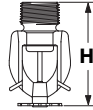


0.17 kg



Art. Nr. 568951001, W-Type 3

[P.1.116]



For the most up-to-date technical information visit us online or speak to your local Sales contact

Для получения актуальной технической информации посетите наш сайт или обратитесь к местному торговому представителю.

En güncel teknik bilgiler için web sitemizi ziyaret edin veya yerel Satış yetkiliniz ile görüşün

K=160 [11.2] • 3/4" NPT • SIN TY5231 • H=71.4 mm [2-13/16"]

Art. Nr. Pendent Розеткой вниз Aşağı Bakan	T °C [°F]	F	VDS	FM	UL
505021155	68 [155]	1	√	√	√
505021200	93 [200]	1	√	√	√
505021286	141 [286]	1	√	√	√



ELO-231 FRB



TFP 344

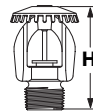


0.17 kg



Art. Nr. 568951001, W-Type 3

[P.1.116]



K=160 [11.2] • 3/4" NPT • SIN TY5131 • H=71.4 mm [2-13/16"]

Art. Nr. Upright Розеткой вверх Yukarı Bakan	T °C [°F]	F	VDS	FM	UL
505001155	68 [155]	1	√	√	√
505001200	93 [200]	1	√	√	√
505001286	141 [286]	1	√	√	√

Storage Sprinklers, Standard Response, Intermediate Level, Upright W/Shield

- R** Спринклеры для складских помещений, стандартного реагирования, межстеллажные, розеткой вверх, с защитной пластиной
T Depo Tipi Sprinklerler, Standart Tepkili, Ara Seviyeler İçin, Yukarı Bakan, Koruma Kalkanlı



TY-B



TFP 351

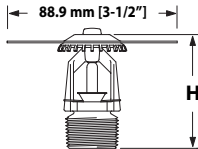


0.120 kg



Art. Nr. 560006387, W-Type 6

[P.1.116]



For the most up-to-date technical information visit us online or speak to your local Sales contact

Для получения актуальной технической информации посетите наш сайт или обратитесь к местному торговому представителю.

En güncel teknik bilgiler için web sitemizi ziyaret edin veya yerel Satış yetkiliniz ile görüşün

K=80 [5.6] • 1/2" NPT • SIN TY3153 • H=60.3 mm [2-3/8"]

Art. Nr.	T	F	FM	UL
	°C [°F]			
575331135	57 [135]	1	✓	✓
575331155	68 [155]	1	✓	✓
575331175	79 [175]	1	✓	✓
575331200	93 [200]	1	✓	✓
575331286	141 [286]	1	✓	✓
575331360	182 [360]	1	✓	✓
575336155	68 [155]	6	✓	✓
575336175	79 [175]	6	✓	✓
575336200	93 [200]	6	✓	✓
575336286	141 [286]	6	✓	✓

K=115 [8.0] • 3/4" NPT • SIN TY4153 • H=61.9 mm [2-7/16"]

Art. Nr.	T	F	FM	UL
	°C [°F]			
575431135	57 [135]	1	✓	✓
575431155	68 [155]	1	✓	✓
575431175	79 [175]	1	✓	✓
575431200	93 [200]	1	✓	✓
575431286	141 [286]	1	✓	✓
575431360	182 [360]	1	✓	✓
575436155	68 [155]	6	✓	✓
575436175	79 [175]	6	✓	✓
575436200	93 [200]	6	✓	✓
575436286	141 [286]	6	✓	✓

Storage Sprinklers, Standard Response, Intermediate Level, Upright W/Shield

- R** Спринклеры для складских помещений, стандартного реагирования, межстеллажные, розеткой вверх, с защитной пластиной
T Depo Tipi Sprinklerler, Standart Tepkili, Ara Seviyeler İçin, Yukarı Bakan, Koruma Kalkanlı



TY-L



TFP 350

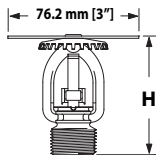


0.130 kg



Art. Nr. 560001849, W-Type 9

[P.1.116]



K=80 [5.6] • 1/2" NPT • SIN TY3113 • H=68.3 mm [2-11/16"]

Art. Nr.	T	F	FM	UL
	°C [°F]			
532531135	57 [135]	1	✓	✓
532531165	74 [165]	1	✓	✓
532531212	100 [212]	1	✓	✓
532531280	138 [280]	1	✓	✓

K=115 [8.0] • 3/4" NPT • SIN TY4113 • H=69.9 mm [2-3/4"]

Art. Nr.	T	F	FM	UL
	°C [°F]			
531531135	57 [135]	1	✓	✓
531531165	74 [165]	1	✓	✓
531531212	100 [212]	1	✓	✓
531531280	138 [280]	1	✓	✓

Storage Sprinklers, Quick Response, Intermediate Level, Upright W/Shield

- R** Спринклеры для складских помещений, быстрого реагирования, межстеллажные, розеткой вверх, с защитной пластиной
- T** Depo Tipi Sprinklerler, Hızlı Tepkili, Ara Seviyeler İçin, Yukarı Bakan, Koruma Kalkanlı



TY-FRB



TFP 356

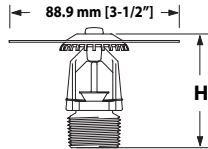


0.120 kg



Art. Nr. 560006387, W-Type 6

[P.1.116]



For the most up-to-date technical information visit us online or speak to your local Sales contact

Для получения актуальной технической информации посетите наш сайт или обратитесь к местному торговому представителю.

En güncel teknik bilgiler için web sitemizi ziyaret edin veya yerel Satış yetkiliniz ile görüşün

K=80 [5.6] • 1/2" NPT • SIN TY3133 • H=60.3 mm [2-3/8"]

Art. Nr.	T °C [°F]	F	FM	UL
573331135	57 [135]	1	√	√
573331155	68 [155]	1	√	√
573331175	79 [175]	1	√	√
573331200	93 [200]	1	√	√
573331286	141 [286]	1	√	√

K=115 [8.0] • 3/4" NPT • SIN TY4133 • H=61.9 mm [2-7/16"]

Art. Nr.	T °C [°F]	F	FM	UL
573431135	57 [135]	1	√	√
573431155	68 [155]	1	√	√
573431175	79 [175]	1	√	√
573431200	93 [200]	1	√	√
573431286	141 [286]	1	√	√



TY-FRL



TFP 355

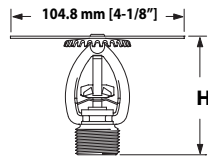


0.120 kg



Art. Nr. 560001849, W-Type 9

[P.1.116]



K=80 [5.6] • 1/2" NPT • SIN TY3123 • H=69.9 mm [2-3/4"]

Art. Nr.	T °C [°F]	F	FM	UL
589861165	74 [165]	1	√	√

K=115 [8.0] • 3/4" NPT • SIN TY4123 • H=71.4 mm [2-13/16"]

Art. Nr.	T °C [°F]	F	FM	UL
581531165	74 [165]	1	√	√

Storage Sprinklers, Intermediate Level, Shield for Pendent Sprinklers

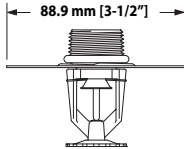
- R** Спринклеры для складских помещений, межстеллажный ороситель, пластина для спринклеров розеткой вниз
T Depo Tipi Sprinklerler, Ara Seviyeler İçin Aşağı Bakan Sprinklere Uygun Koruma Kalkanı



TFP 351



0.04 kg



TY-B & TY-FRB

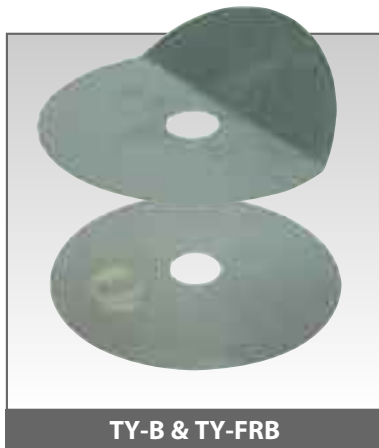
For the most up-to-date technical information visit us online or speak to your local Sales contact

Для получения актуальной технической информации посетите наш сайт или обратитесь к местному торговому представителю.

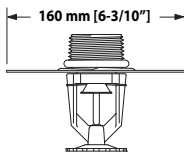
En güncel teknik bilgiler için web sitemizi ziyaret edin veya yerel Satış yetkiliniz ile görüşün

1/2" NPT			
Art. Nr. Shield+O-Ring Пластина+Уплотнительное кольцо Koruma Kalkanı + O Ring	F	FM	UL
560709332	9	√	√

3/4" NPT			
Art. Nr. Shield+O-Ring Пластина+Уплотнительное кольцо Koruma Kalkanı + O Ring	F	FM	UL
560709342	9	√	√



0.15 kg



TY-B & TY-FRB

3/8" BSP • 1/2" NPT • 3/4" NPT			
Art. Nr. Shield Пластина Koruma Kalkanı	Size. Größe Boy mm	F	
2856100271	100mm	9	
2856160271	160mm	9	
2856160272	160mm / 45°	9	

3/8" BSP • 1/2" NPT • 3/4" NPT		
Art. Nr. O-Ring Уплотнительное кольцо O-Ring	Size. Größe Boy "	F
02141326	3/8" - 1/2"	
623331004	1/2" - 3/4"	

O-rings to be ordered separately/Уплотнительное кольцо заказывается отдельно/
O-ringler ayrıca sipariş edilmelidir

Storage Sprinklers, Intermediate Level, Shield for Pendent Sprinklers

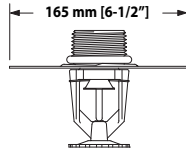
- R** Спринклеры для складских помещений, межстеллажный ороситель, защитная пластина для спринклеров розеткой вниз
- T** Depo Tipi Sprinklerler, Ara Seviyeler İçin Aşağı Bakan Sprinklere Uygun Koruma Kalkanı



TY-B & TY-FRB



0.04 kg



For the most up-to-date technical information visit us online or speak to your local Sales contact

Для получения актуальной технической информации посетите наш сайт или обратитесь к местному торговому представителю.

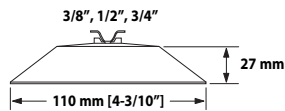
En güncel teknik bilgiler için web sitemizi ziyaret edin veya yerel Satış yetkiliniz ile görüşün

Standard			
Art. Nr. Shield Пластина Корума Kalkanı	Size Größe Boy "	F	VDS
205-138	3/8	9	✓
205-112	1/2	9	✓
205-134	3/4	9	✓

45° Bended/Изгиб 45°/45° Açılı			
Art. Nr. Shield 45° Пластина 45° Корума Kalkanı 45°	Size Größe Boy "	F	VDS
205-238	3/8	9	✓
205-212	1/2	9	✓
205-234	3/4	9	✓



TY-B & TY-FRB



Standard			
Art. Nr. Shield Пластина Корума Kalkanı	Size Größe Boy "	F	VDS
205-438	3/8	9	✓
205-412	1/2	9	✓
205-434	3/4	9	✓

Storage Sprinklers, Intermediate Level, Shield for Pendent Sprinklers

- Спринклеры для складских помещений, межстеллажный ороситель, защитная пластина для спринклеров розеткой вниз
- Depo Tipi Sprinklerler, Ara Seviyeler İçin Aşağı Bakan Sprinklere Uygun Koruma Kalkanı



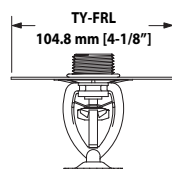
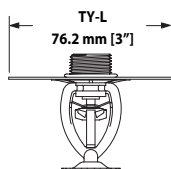
TY-L & TY-FRL



TFP 350/355 [TY-FRL]



0.04 kg



For the most up-to-date technical information visit us online or speak to your local Sales contact

Для получения актуальной технической информации посетите наш сайт или обратитесь к местному торговому представителю.

En güncel teknik bilgiler için web sitemizi ziyaret edin veya yerel Satış yetkiliniz ile görüşün

TY-L • 1/2" NPT			
Art. Nr. Shield+O-Ring Пластина +Уплотнительное кольцо Koruma Kalkanı + O Ring	F	FM*	UL*
560156802	1	✓	✓

TY-L • 3/4" NPT			
Art. Nr. Shield+O-Ring Пластина +Уплотнительное кольцо Koruma Kalkanı + O Ring	F	FM*	UL*
560156803	1	✓	✓

TY-FRL • 1/2" NPT			
Art. Nr. Shield+O-Ring Пластина +Уплотнительное кольцо Koruma Kalkanı + O Ring	F	FM*	UL*
569521001	1	✓	✓

TY-FRL • 3/4" NPT			
Art. Nr. Shield+O-Ring Пластина +Уплотнительное кольцо Koruma Kalkanı + O Ring	F	FM*	UL*
561521001	1	✓	✓

*Approval valid in combination with sprinkler model

*Сертификация действительна в сочетании с моделью спринклера

*Onay sprinkler modeli ile birlikte geçerlidir

Residential Sprinklers

R Спринклеры для жилых помещений

T Konut Tipi Sprinklerler

Fast Response, [Recessed] Pendent

Быстро реагирующая, [утопленные] розеткой вниз
Hızlı Tepkili, [Gömme] Aşağı Bakan



LFII

P. 1.054

Fast Response, [Recessed] Horizontal Sidewall [K=60&80]

Быстро реагирующая, [утопленные] горизонтальные, настенные [K=60и80]
Hızlı Tepkili, [Gömme] Yatay Duvar Tipi [K=60&80]



LFII

P. 1.055

Fast Response, Dry Residential [Recessed] Pendent

Быстро реагирующая, сухого типа [утопленные], розеткой вниз
Hızlı Tepkili, Kuru Borulu Konut Tipi, [Gömme] Aşağı Bakan



LFII

P. 1.056

Dry Residential Sprinkler, Horizontal Sidewall, Recessed Horizontal Sidewall

Спринклеры сухого типа для жилых помещений, горизонтальные, настенные, утопленные,
горизонтальные, настенные

Kuru Borulu Konut Tipi Sprinkler, Yatay Duvar Tipi, [Gömme] Yatay Duvar Tipi



LFII

P. 1.057

Fast Response, Flush Pendent

Быстро реагирующая, устанавливаемые заподлицо, розеткой вниз
Hızlı Tepkili, Flush, Aşağı Bakan



LFII

P. 1.058

Fast Response, Flush Horizontal Sidewall

Быстро реагирующая, устанавливаемые заподлицо, горизонтальные, настенные
Hızlı Tepkili, Flush, Yatay Duvar Tipi



LFII

P. 1.058

Fast Response, Pendent Concealed

Быстро реагирующая, розеткой вниз, скрытые
Hızlı Tepkili, Aşağı Bakan, Gizli Kapaklı Tip



LFII

P. 1.059

Domed Plate, Pendent Concealed

С купольной крышкой, розеткой вниз, скрытые
Kubbe Biçimli, Aşağı Bakan, Gizli Kapaklı Tip



LFII

P. 1.059

Residential Sprinklers, Fast Response, [Recessed] Pendant

- R** Спринклеры для жилых помещений, быстрого реагирования, [утопленные] розеткой вниз
- T** Konut Tipi Sprinklerler, Hızlı Tepkili, [Gömme] Aşağı Bakan



TFP 400 / TFP 408 [K=100] / TFP402 [K=43]



0.150 kg



Art. Nr. 560006387, W-Type 6
568504001, W-Type 7

[P.1.116]



Style 20 / style 30 [K=100]

[P.1.109]



K=43 [3.0] • 1/2" NPT • SIN TY1234 • H=55.6 mm [2-3/16"]

Art. Nr.	T		F	≡
	°C [°F]			
510101155	68	[155]	1	√
510101175	79	[175]	1	√
510104155	68	[155]	4	√
510104175	79	[175]	4	√
510109155	68	[155]	9	√
510109175	79	[175]	9	√

K=70 [4.9] • 1/2" NPT • SIN TY2234 • H=57.2 mm [2-1/4"]

Art. Nr.	T		F	≡
	°C [°F]			
512011155	68	[155]	1	√
512011175	79	[175]	1	√
512013155	68	[155]	3	√
512013175	79	[175]	3	√
512019155	68	[155]	9	√
512019175	79	[175]	9	√

K=100 [6.9] • 3/4" NPT • SIN TY4234 • H=57.2 mm [2-1/4"]

Art. Nr.	T		F	FM	UL
	°C [°F]				
510691155	68	[155]	1	√	√
510691175	79	[175]	1	√	√
510693155	68	[155]	3	√	√
510693175	79	[175]	3	√	√
510699155	68	[155]	9	√	√
510699175	79	[175]	9	√	√

For the most up-to-date technical information visit us online or speak to your local Sales contact

Для получения актуальной технической информации посетите наш сайт или обратитесь к местному торговому представителю.

En güncel teknik bilgiler için web sitemizi ziyaret edin veya yerel Satış yetkiliniz ile görüşün

Residential Sprinklers, Fast Response, [Recessed] Horizontal Sidewall

- R** Спринклеры для жилых помещений, быстрого реагирования, [утопленные], горизонтальные настенные
- T** Konut Tipi Sprinklerler, Hızlı Tepkili, [Gömme] Yatay Duvar Tipi



LFI



TFP 410 [K=60] / TFP 415 [K=80] / TFP 417 [K=84] / TFP 412 [K=63]



0.150 kg



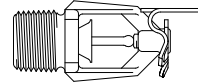
Art. Nr. 568504001, W-Type 7
56006387, W-Type 6

[P.1.116]



Style 20

[P.1.109]



K=60 [4.2] • 1/2" NPT • SIN TY1334 • H=57.2 mm [2-1/4"]			
Art. Nr.	T °C [°F]	F	UL
512111155	68 [155]	1	✓
512111175	79 [175]	1	✓
512113155	68 [155]	3	✓
512113175	79 [175]	3	✓
512119155	68 [155]	9	✓
512119175	79 [175]	9	✓

K=63 [4.4] • 1/2" NPT • SIN TY2334 • H=54.0 mm [2-1/8"]			
Art. Nr.	T °C [°F]	F	UL
512151155	68 [155]	1	✓
512151175	79 [175]	1	✓
512153155	68 [155]	3	✓
512153175	79 [175]	3	✓
512159155	68 [155]	9	✓
512159175	79 [175]	9	✓

K=80 [5.6] • 1/2" NPT • SIN TY3334 • H=57.2 mm [2-1/4"]			
Art. Nr.	T °C [°F]	F	UL
515241155	68 [155]	1	✓
515241175	79 [175]	1	✓
515243155	68 [155]	3	✓
515243175	79 [175]	3	✓
515249155	68 [155]	9	✓
515249175	79 [175]	9	✓

K=84 [5.8] • 1/2" NPT • SIN TY4334 • H=57.2 mm [2-1/4"]				
Art. Nr.	T °C [°F]	F	FM	UL
515341155	68 [155]	1	✓	✓
515341175	79 [175]	1	✓	✓
515343155	68 [155]	3	✓	✓
515343175	79 [175]	3	✓	✓
515349155	68 [155]	9	✓	✓
515349175	79 [175]	9	✓	✓

For the most up-to-date technical information visit us online or speak to your local Sales contact

Для получения актуальной технической информации посетите наш сайт или обратитесь к местному торговому представителю.

En güncel teknik bilgiler için web sitemizi ziyaret edin veya yerel Satış yetkiliniz ile görüşün

Dry Residential Sprinkler, Recessed Pendent

- R** Спринклеры сухого типа для жилых помещений, утопленные, розеткой вниз
- T** Kuru Borulu Konut Tipi Sprinkler, Gömme, Aşağı Bakan



LFII



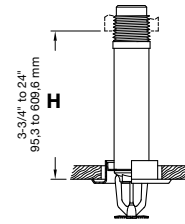
TFP 460



0.08 kg



Art. nr. 568504001, W-Type 7



Type 1

Recessed Escutcheon
Утопленный подрозетник
Gömme Rozet

K=80 [5.6] • 1" ISO • SIN TY2235 • UL

ART. NR. I63 XX X X XXX

Standard Response/ Стандартного реагирования/Standart Tepkili		Temp. °C [°F]	Sprinkler/ Спринклер/Sprinkler	F Escutcheon/ Подрозетник/Rozet	H* mm ["]	
10	Type 1	1 68 [155]	2 Brass/Латунь/Pirinç	Brass/Латунь/Pirinç	055	140 [5.50]
		2 79 [175]**	4 White/Белый/Beyaz	White/Белый/Beyaz	082	210 [8.25]
			9 Chrome/Хром/Krom	Chrome/Хром/Krom	180	457 [18.00]
					187	476 [18.75]
					240	610 [24.00]

** Wet pipe systems only

** Только системы с заполненными водой трубами

** Sadece ıslak boru sistemleri içindir

*Order length in 6 mm [1/4"] increments

*Заказываемая длина с приращением по 6 мм [1/4 дюйма]

*6 mm [1/4"] aralıklarla sipariş verebilirsiniz

For the most up-to-date technical information visit us online or speak to your local Sales contact

Для получения актуальной технической информации посетите наш сайт или обратитесь к местному торговому представителю.

En güncel teknik bilgiler için web sitemizi ziyaret edin veya yerel Satış yetkiliniz ile görüşün

Dry Residential Sprinkler, Horizontal Sidewall, Recessed Horizontal Sidewall

- R** Спринклеры сухого типа для жилых помещений, горизонтальные, настенные, утопленные, горизонтальные, настенные
- T** Kuru Borulu Konut Tipi Sprinkler, Yatay Duvar Tipi, [Gömmе] Yatay Duvar Tipi

1



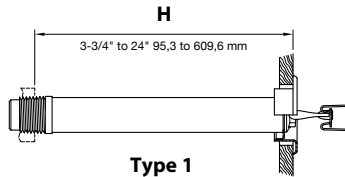
TFP 461



0.08 kg

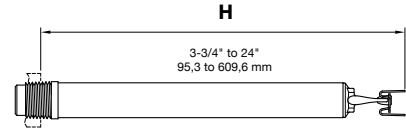


Art. nr. 568504001, W-Type 7
560006387, W-Type 6



Type 1

Recessed Escutcheon
Утопленный подрозетник
Gömmе Rozet



Type 2

w/o Escutcheon
Без подрозетника
Rozetsiz

K=63 [4.4] . 1" ISO . SIN TY2335 . UL

ART. NR. I63 XX X X XXX

Standard Response/ Стандартного реагирования/Standart Tepkili		Temp. °C [°F]	Sprinkler/ Спринклер/Sprinkler	F	Escutcheon/ Подрозетник/Rozet	H* mm ["]	
12	Type 1	1 68 [155]	2	Brass/Латунь/Pirinç	Brass/Латунь/Pirinç	055	140 [5.50]
13	Type 2		4	White/Белый/Beyaz	White/Белый/Beyaz	082	210 [8.25]
			9	Chrome/Хром/Krom	Chrome/Хром/Krom	180	457 [18.00]
						187	476 [18.75]
						240	610 [24.00]

For the most up-to-date technical information visit us online or speak to your local Sales contact

Для получения актуальной технической информации посетите наш сайт или обратитесь к местному торговому представителю.

En güncel teknik bilgiler için web sitemizi ziyaret edin veya yerel Satış yetkiliniz ile görüşün

Residential Sprinklers, Fast Response, Flush Pendent

- R** Спринклеры для жилых помещений, быстрого реагирования, устанавливаемые заподлицо розеткой вниз
- T** Konut Tipi Sprinklerler, Hızlı Tepkili, Flush, Aşağı Bakan



LFII



TFP 420

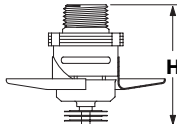


0.150 kg



Art. Nr. 560004948

[P.1.116]



For the most up-to-date technical information visit us online or speak to your local Sales contact

Для получения актуальной технической информации посетите наш сайт или обратитесь к местному торговому представителю.

En güncel teknik bilgiler için web sitemizi ziyaret edin veya yerel Satış yetkiliniz ile görüşün

K=60[4.2] • 1/2" NPT • SIN TY2284 • H=57.2 mm [2-1/4"]

Art. Nr. Sprinkler Спринклер Sprinkler	T °C [°F]	F	≡
511234162	72 [162]	4	✓
511239162	72 [162]	9	✓

Art. Nr. Escutcheon Подрозетник Rozet	F	≡
561234001	4	✓
561239001	9	✓

Residential Sprinklers, Fast Response, Flush Horizontal Sidewall

- R** Спринклеры для жилых помещений, быстрого реагирования, устанавливаемые заподлицо, горизонтальные, настенные
- T** Konut Tipi Sprinklerler, Hızlı Tepkili, Flush, Yatay Duvar Tipi



LFII



TFP 425

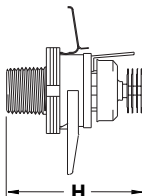


0.100 kg



Art. Nr. 560004949

[P.1.116]



K=60[4.2] • 1/2" NPT • SIN TY2384 • H=61.9 mm [2-7/16"]

Art. Nr. Sprinkler Спринклер Sprinkler	T °C [°F]	F	≡
511244162	72 [162]	4	✓
511249162	72 [162]	9	✓


Art. Nr. Escutcheon Подрозетник Rozet	T °C [°F]	F	≡
561244001	72 [162]	4	✓
561249001	72 [162]	9	✓


Residential Sprinklers, Fast Response, Pendent Concealed

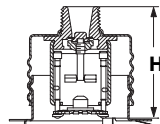
- R** Спринклеры для жилых помещений, быстрого реагирования, розеткой вниз, скрытые
- T** Konut Tipi Sprinklerler, Hızlı Tepkili, Aşağı Bakan, Gizli Kapaklı Tip



 **TFP 442**

 **0.240 kg**

 **Art. Nr. 560001265, W-Type 18**
[P.1.116]



For the most up-to-date technical information visit us online or speak to your local Sales contact

Для получения актуальной технической информации посетите наш сайт или обратитесь к местному торговому представителю.

En güncel teknik bilgiler için web sitemizi ziyaret edin veya yerel Satış yetkiliniz ile görüşün

K=71[4.9] . 1/2" NPT . SIN TY3596 . H=47.6 mm ±3.2 [1-7/8±1/8"]


Art. Nr.	T °C [°F]	F	≡
511129160	71 [160]	9 (Brushed Chrome)	√
511128160	71 [160]	8 (Brushed Brass)	√
511127160	71 [160]	7 (RAL9005, Jet Black)	√
511126160	71 [160]	6 (RAL8028, Terra Brown)	√
511125160	71 [160]	5 (RAL9002, Grey White)	√
511124160	71 [160]	4 (RAL9003, Signal White)	√
511123160	71 [160]	3 (RAL9010, Pure White)	√
511122160	71 [160]	2 (RAL1001, Beige)	√
511120160	71 [160]	0 (RAL1015, Light Ivory)	√


Residential Sprinklers, Domed Plate, Pendent Concealed

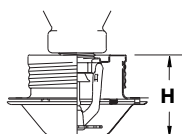
- R** Спринклеры для жилых помещений, купольная крышка, скрытые
- T** Konut Tipi Sprinklerler, Kubbe Biçimli, Aşağı Bakan, Gizli Kapaklı Tip



 **TFP 450 / TFP 408 [K=100]**

 **0.240 kg**

 **Art. Nr. 568504001**
[P.1.116]



K=70[4.9] . 1/2" NPT . SIN TY2234 . H=54.0 mm ±6.4 [2.2/16±1/4"]

Art. Nr.	T °C [°F]	F	≡
518733155	68 [155]	3	√
518734155	68 [155]	4	√
518739155	68 [155]	9	√

K=100[6.9] . 3/4" NPT . SIN TY4234 . H=54.0 mm ±6.4 [2.2/16±1/4"]

Art. Nr.	T °C [°F]	F	≡
510683155	68 [155]	3	√
510684155	68 [155]	4	√
510689155	68 [155]	9	√

Dry Sprinklers

R Спринклеры сухого типа

T Kuru Tip Sprinklerler

Standard Coverage, Pendent

Со стандартной площадью орошения, розеткой вниз
Standart Kaplama Alanlı, Aşağı Bakan



DS-1

P. 1.062

Standard Coverage, Pendent, Stainless Steel

Со стандартной площадью орошения, розеткой вниз, из нержавеющей стали
Standart Kaplama Alanlı, Aşağı Bakan, Paslanmaz Çelik



DS-1

P. 1.063

Standard Coverage, Pendent, Stainless Steel

Со стандартной площадью орошения, розеткой вниз, из нержавеющей стали
Standart Kaplama Alanlı, Aşağı Bakan, Paslanmaz Çelik



DS-1

P. 1.064

Standard Coverage, Pendent, Stainless Steel

Со стандартной площадью орошения, розеткой вниз, из нержавеющей стали
Standart Kaplama Alanlı, Aşağı Bakan, Paslanmaz Çelik



DS-1

P. 1.065

Standard Coverage, Upright

Со стандартной площадью орошения, розеткой вверх
Standart Kaplama Alanlı, Yukarı Bakan



DS-1

P. 1.066

Standard Coverage, Horizontal Sidewall

Со стандартной площадью орошения, горизонтальные, настенные
Standart Kaplama Alanlı, Yatay Duvar Tipi



DS-1

P. 1.067

Standard Coverage, Pendent

Со стандартной площадью орошения, розеткой вниз
Standart Kaplama Alanlı, Aşağı Bakan



DS-2

P. 1.068

Extended Coverage, Pendent

С расширенной площадью орошения, розеткой вниз
Genişletilmiş Kaplama Alanlı, Aşağı Bakan



DS-2

P. 1.069

Extended Coverage Ordinary Hazard [ECHO]

С расширенной площадью орошения, для промышленных помещений [ECHO]
Genişletilmiş Kaplama Alanlı, Olağan Tehlikeler [ECHO]



DS-3 ECHO

P. 1.070

Standard/Extended Coverage, Pendent Concealed

Со стандартной/С расширенной площадью орошения, розеткой вниз, скрытые
Standart /Genişletilmiş Kaplama Alanı, Aşağı Bakan, Gizli Kapaklı Tip



DS-ECC/DS-C

P. 1.071

Quick Response, Pendent

Быстрого реагирования, розеткой вниз
Hızlı Tepkili, Aşağı Bakan



ESFR-17

P. 1.072

Dry Sprinklers

● Спринклеры сухого типа

● Kuru Tip Sprinklerler

For use with TFP Dry Type Sprinklers

Для применения со спринклерами TFP сухого типа
TFP Kuru Borulu Sprinklerlerle kullanım içindir



P. 1.073

DSB-2

Dry Sprinklers, Standard Coverage, Pendent

- R** Спринклеры сухого типа, со стандартной площадью орошения, розеткой вниз
- T** Kuru Borulu Sprinklerler, Standart Kaplama Alanlı, Aşağı Bakan

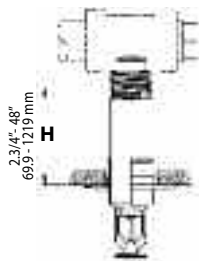


TFP 500/510 [Quick Response/Быстрого реагирования/Hızlı Tepkili]



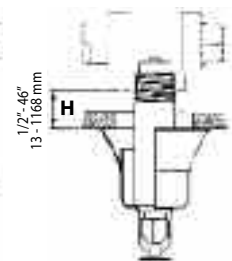
Art. Nr. 568504001, W-Type 7

[P.1.116]



Type 1

Standard Escutcheon
Стандартный
подрозетник
Standart Rozet



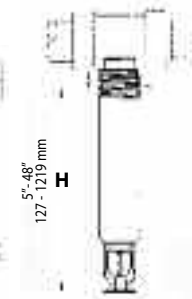
Type 2

Deep Escutcheon
Глубокий подрозетник
Derin Rozet



Type 3

Recessed Escutcheon
Утопленный
подрозетник
Gömme Rozet



Type 4

w/o Escutcheon
Без подрозетника
Rozetsiz

K=80 [5.6] . 1" ISO . SIN TY3255 . UL/FM/CNBOP . CE

ART. NR. 160 XX X X XXX

Standard Response/ Стандартного реагирования/Normal Tepkili		Temp. °C [°F]		Sprinkler/ Спринклер/Sprinkler		F Escutcheon/ Подрозетник/Rozet		H* mm ["]	
96	Type 1	0	57 [135]	1	Brass/Латунь/Pirinç	White/Белый/Beyaz	060	152 [6.00]	
93	Type 2	1	68 [155]	4	White/Белый/Beyaz	White/Белый/Beyaz	062	159 [6.25]	
97	Type 3	2	79 [175]	9	Chrome/Хром/Krom	Chrome/Хром/Krom	065	165 [6.50]	
92	Type 4	3	93 [200]	0	Chrome/Хром/Krom	White/Белый/Beyaz	067	171 [6.75]	
		4	141 [286]**				372	946 [37.25]	
		5	182 [360]**				480	1219 [48.00]	

**Not available for type 3

** Отсутствует для типа 3

** Tip 3 için mevcut değildir

K=80 [5.6] . 1" ISO . SIN TY3255 . UL/FM

ART. NR. 160 XX X X XXX

Quick Response/ Быстрого реагирования/Hızlı Tepkili		Temp. °C [°F]		Sprinkler/ Спринклер/Sprinkler		F Escutcheon/ Подрозетник/Rozet		H* mm ["]	
36	Type 1	0	57 [135]	1	Brass/Латунь/Pirinç	White/Белый/Beyaz	060	152 [6.00]	
33	Type 2	1	68 [155]	4	White/Белый/Beyaz	White/Белый/Beyaz	062	159 [6.25]	
37	Type 3	2	79 [175]	9	Chrome/Хром/Krom	Chrome/Хром/Krom	065	165 [6.50]	
32	Type 4	3	93 [200]	0	Chrome/Хром/Krom	White/Белый/Beyaz	067	171 [6.75]	
		4	141 [286]				372	946 [37.25]	
		5	182 [360]				480	1219 [48.00]	

*Order length in 6 mm [1/4"] increments

*Заказываемая длина с приращением по 6 мм [1/4 дюйма]

*6 mm [1/4"] aralıklarla sipariş verebilirsiniz

For the most up-to-date technical information visit us online or speak to your local Sales contact

Для получения актуальной технической информации посетите наш сайт или обратитесь к местному торговому представителю.

En güncel teknik bilgiler için web sitemizi ziyaret edin veya yerel Satış yetkiliniz ile görüşün

Dry Sprinklers, Standard Coverage, Pendent, S

- R** Спринклеры сухого типа, Со стандартной площадью орошения, розеткой вниз, S
- T** Kuru Tip Sprinklerler, Normal Kaplama Alanlı, Aşağı Bakan, S



DS-1 Stainless Steel



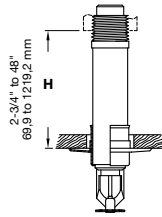
TFP 560



0.08 kg

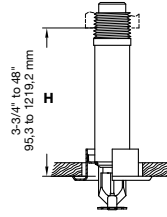


Art. nr. 568504001, W-Type 7



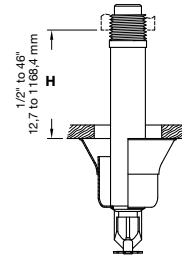
Type 1

Standard Escutcheon
Стандартный подрозетник
Standart Rozet



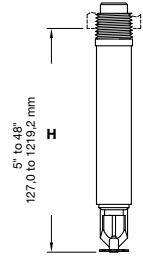
Type 2

Recessed Escutcheon
Утопленный подрозетник
Gömme Rozet



Type 3

Deep Escutcheon
Глубокий подрозетник
Derin Rozet



Type 4

w/o Escutcheon
Без подрозетника
Rozetsiz

K=80 [5.6] . 1" ISO . SIN TY3250 . UL/LPCB . CE

ART. NR. 160 XX X X XXX

Standard Response/ Стандартного реагирования/Normal Tepkili		Temp. °C [°F]		Sprinkler/Escutcheon Спринклер/Подрозетник Sprinkler/Rozet		H* mm ["]	
21	Type 1	0	57 [135]	6	Stainless Steel/Нержавеющая сталь/Paslanmaz Çelik	060	152 [6.00]
22	Type 2	1	68 [155]			062	159 [6.25]
23	Type 3	2	79 [175]			065	165 [6.50]
24	Type 4	3	93 [200]			067	171 [6.75]
		4	141 [286]**			372	946 [37.25]
		5	182 [360]**			480	1219 [48.00]

** Not available for type 2
** Отсутствует для типа 2
** Tip 2 için mevcut değildir

K=80 [5.6] . 1" ISO . SIN TY3230 . UL/LPCB . CE

ART. NR. 160 XX X X XXX

Quick Response/ Быстрого реагирования/Hızlı Tepkili		Temp. °C [°F]		Sprinkler/Escutcheon Спринклер/Подрозетник Sprinkler/Rozet		H* mm ["]	
11	Type 1	0	57 [135]	6	Stainless Steel/Нержавеющая сталь/Paslanmaz Çelik	060	152 [6.00]
12	Type 2	1	68 [155]			062	159 [6.25]
13	Type 3	2	79 [175]			065	165 [6.50]
14	Type 4	3	93 [200]			067	171 [6.75]
		4	141 [286]**			372	946 [37.25]
		5	182 [360]**			480	1219 [48.00]

** Not available for type 2
** Отсутствует для типа 2
** Tip 2 için mevcut değildir

*Order length in 6 mm [1/4"] increments
*Заказываемая длина с приращением по 6 мм [1/4 дюйма]
*6 mm [1/4"] aralıklarla sipariş verebilirsiniz

For the most up-to-date technical information visit us online or speak to your local Sales contact
Для получения актуальной технической информации посетите наш сайт или обратитесь к местному торговому представителю.
En güncel teknik bilgiler için web sitemizi ziyaret edin veya yerel Satış yetkiliniz ile görüşün

Dry Sprinklers, Standard Coverage, Horizontal Sidewall, Stainless Steel

- R** Спринклеры сухого типа, со стандартной площадью орошения, горизонтальные настенные из нержавеющей стали
- T** Kuru Borulu Sprinklerle, Normal Kaplama Alanlı, Yatay Duvar Tipi, Paslanmaz Çelik



DS-1 Stainless Steel



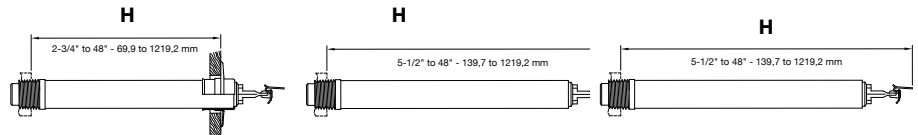
TFP 560



0.08 kg



Art. nr. 568504001, W-Type 7



Type 1

Standard Escutcheon
Стандартная
Подрозетник
Standart Rozet

Type 2

Deep Escutcheon
Глубокий подрозетник
Derin Rozet

Type 3

w/o Escutcheon
Без подрозетника
Rozetsiz

K=80 [5.6] . 1" ISO . SIN TY3357 . UL/LPCB . CE

ART. NR. I60 XX X X XXX

Standard Response/ Стандартного реагирования/Normal Tepkili		Temp. °C [°F]		Sprinkler/Escutcheon Спринклер/Подрозетник Sprinkler/Rozet		H* mm ["]	
25	Type 1	0	57 [135]	6	Stainless Steel/Нержавеющая сталь/Paslanmaz Çelik	060	152 [6.00]
26	Type 2	1	68 [155]			062	159 [6.25]
27	Type 3	2	79 [175]			065	165 [6.50]
		3	93 [200]			067	171 [6.75]
		4	141 [286]**			372	946 [37.25]
		5	182 [360]**			480	1219 [48.00]

K=80 [5.6] . 1" ISO . SIN TY3337 . UL/LPCB . CE

ART. NR. I60 XX X X XXX

Quick Response/ Быстрого реагирования/Hızlı Tepkili		Temp. °C [°F]		Sprinkler/ F Escutcheon/ Спринклер/Sprinkler Подрозетник/Rozet		H* mm ["]	
15	Type 1	0	57 [135]	1	Brass/Латунь/Pirinç White/Белый/Beyaz	060	152 [6.00]
16	Type 2	1	68 [155]			062	159 [6.25]
17	Type 3	2	79 [175]			065	165 [6.50]
		3	93 [200]			067	171 [6.75]
		4	141 [286]**			372	946 [37.25]
		5	182 [360]**			480	1219 [48.00]

** Not available for type 3
** Отсутствует для типа 3
** Tip 3 için mevcut değildir

*Order length in 6 mm [1/4"] increments
*Заказываемая длина с приращением по 6 мм [1/4 дюйма]
*6 mm [1/4"] aralıklarla sipariş verebilirsiniz

For the most up-to-date technical information visit us online or speak to your local Sales contact

Для получения актуальной технической информации посетите наш сайт или обратитесь к местному торговому представителю.
En güncel teknik bilgiler için web sitemizi ziyaret edin veya yerel Satış yetkiliniz ile görüşün

Dry Sprinklers, Extended Coverage, Horizontal Sidewall, Stainless Steel

- R** Спринклеры сухого типа, с расширенной площадью орошения, горизонтальные, настенные, из нержавеющей стали
- T** Kuru Tip Sprinklerler, Genişletilmiş Kaplama Alanlı, Yatay Duvar Tipi, Paslanmaz Çelik



TFP 560



0.08 kg

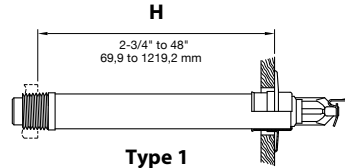


Art. nr. 568504001, W-Type 7

For the most up-to-date technical information visit us online or speak to your local Sales contact

Для получения актуальной технической информации посетите наш сайт или обратитесь к местному торговому представителю.

En güncel teknik bilgiler için web sitemizi ziyaret edin veya yerel Satış yetkiliniz ile görüşün



Type 1
Standard Escutcheon
 Стандартный подрозетник
 Standart Rozet

K=80 [5.6] . 1" ISO . SIN TY3339 . UL/LPCB . CE

ART. NR. I60 XX X X XXX

Quick Response/ Стандартного реагирования/Hiçli Tepkili		Temp. °C [°F]		Sprinkler/Escutcheon Спринклер/Подрозетник Sprinkler/Rozet		H* mm ["]	
18	Type 1	0	57 [135]	6	Stainless Steel/Нержавеющая сталь/Paslanmaz Çelik	060	152 [6.00]
		1	68 [155]			062	159 [6.25]
		2	79 [175]			065	165 [6.50]
		3	93 [200]			067	171 [6.75]
		4	141 [286]			372	946 [37.25]
		5	182 [360]			480	1219 [48.00]

***Order length in 6 mm [1/4"] increments**
 *Заказываемая длина с приращением по 6 мм [1/4 дюйма]
 *6 mm [1/4"] aralıklarla sipariş verebilirsiniz

Dry Sprinklers, Standard Coverage, Upright

- R** Спринклеры сухого типа, со стандартной площадью орошения, розеткой вверх
- T** Kuru Tip Sprinklerler, Normal Kaplama Alanlı, Yukarı Bakan



DS-1

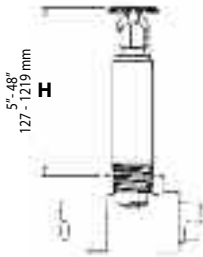


TFP 500/510



Art. Nr. 568504001, W-Type 7

[P.1.116]



5" - 48"
127 - 1219mm
H

For the most up-to-date technical information visit us online or speak to your local Sales contact

Для получения актуальной технической информации посетите наш сайт или обратитесь к местному торговому представителю.

En güncel teknik bilgiler için web sitemizi ziyaret edin veya yerel Satış yetkiliniz ile görüşün

K=80 [5.6] . 1" ISO . SIN TY3155 . UL/FM . CE									
ART. NR. I60 XX X X XXX									
Standard Response/ Стандартного реагирования/Normal Tepkili		Temp. °C [°F]		Sprinkler/ Спринклер/Sprinkler		F Escutcheon/ Подрозетник/Rozet		H* mm ["]	
98	Upright/Розеткой вверх/Yukarı Bakan	0	57 [135]	1	Brass/Латунь/Pirinç	White/Белый/Beyaz	060	152 [6.00]	
		1	68 [155]	4	White/Белый/Beyaz	White/Белый/Beyaz	062	159 [6.25]	
		2	79 [175]	9	Chrome/Хром/Krom	Chrome/Хром/Krom	065	165 [6.50]	
		3	93 [200]	0	Chrome/Хром/Krom	White/Белый/Beyaz	067	171 [6.75]	
		4	141 [286]				372	946 [37.25]	
		5	182 [360]				480	1219 [48.00]	

K=80 [5.6] . 1" ISO . SIN TY3135 . UL/FM									
ART. NR. I60 XX X X XXX									
Quick Response/ Быстрого реагирования/Hızlı Tepkili		Temp. °C [°F]		Sprinkler/ Спринклер/Sprinkler		F Escutcheon/ Подрозетник/Rozet		H* mm ["]	
38	Upright/Розеткой вверх/Yukarı Bakan	0	57 [135]	1	Brass/Латунь/Pirinç	White/Белый/Beyaz	060	152 [6.00]	
		1	68 [155]	4	White/Белый/Beyaz	White/Белый/Beyaz	062	159 [6.25]	
		2	79 [175]	9	Chrome/Хром/Krom	Chrome/Хром/Krom	065	165 [6.50]	
		3	93 [200]	0	Chrome/Хром/Krom	White/Белый/Beyaz	067	171 [6.75]	
		4	141 [286]				372	946 [37.25]	
		5	182 [360]				480	1219 [48.00]	

*Order length in 6 mm [1/4"] increments

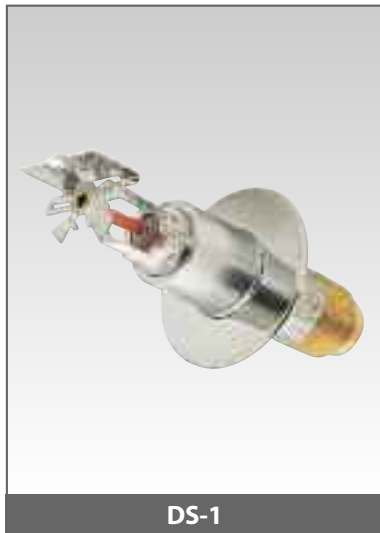
*Заказываемая длина с приращением по 6 мм [1/4 дюйма]

*6 mm [1/4"] aralıklarla sipariş verebilirsiniz

Dry Sprinklers, Standard Coverage, Horizontal Sidewall

R Спринклеры сухого типа, Со стандартной площадью орошения, горизонтальные, настенные

T Kuru Tip Sprinklerler, Standart Kaplama Alanlı, Yatay Duvar Tipi

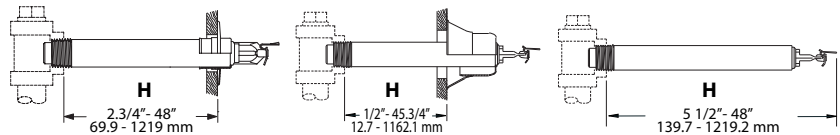


TFP 500/510



Art. Nr. 568504001, W-Type 7

[P.1.116]



Type 1

Standard/Escutcheon
Стандартный/Подрозетник
Standart /Rozet

Type 2

Deep Escutcheon
Глубокий подрозетник
Derin Rozet

Type 3

w/o Escutcheon
Без подрозетника
Rozetsiz

K=80 [5.6] • 1" ISO • SIN TY3355 • UL/FM • CE
ART. NR. 160 **XX** **X** **X** **XXX**

	Standard Response/ Стандартного реагирования/Normal Tepkili	Temp. °C [°F]	Sprinkler/ Спринклер/Sprinkler	F	Escutcheon/ Подрозетник/Rozet	H*	H*
94	Horizontal Sidewall Type 1/ Горизонтальные настенные типа 1/Yatay Duvar Tipi, Tip 1	0 57 [135] 1 68 [155]	1 Brass/Латунь/Pirinç 4 White/Белый/Beyaz		White/Белый/Beyaz White/Белый/Beyaz	060 062	152 [6.00] 159 [6.25]
53	Horizontal Sidewall Type 2/ Горизонтальные настенные типа 2/Yatay Duvar Tipi, Tip 2	2 79 [175] 3 93 [200]	9 Chrome/Хром/Krom 0 Chrome/Хром/Krom		Chrome/Хром/Krom White/Белый/Beyaz	065 067	165 [6.50] 171 [6.75]
54	Horizontal Sidewall Type 3/ Горизонтальные настенные типа 3/Yatay Duvar Tipi, Tip 3	4 141 [286] 5 182 [360]				372 480	946 [37.25] 1219 [48.00]

K=80 [5.6] • 1" ISO • SIN TY3355 • UL/FM
ART. NR. 160 **XX** **X** **X** **XXX**

	Quick Response/ Быстрого реагирования/Hızlı Tepkili	Temp. °C [°F]	Sprinkler/ Спринклер/Sprinkler	F	Escutcheon/ Подрозетник/Rozet	H*	H*
34	Horizontal Sidewall Type 1/ Горизонтальные настенные типа 1/Yatay Duvar Tipi, Tip 1	0 57 [135] 1 68 [155]	1 Brass/Латунь/Pirinç 4 White/Белый/Beyaz		White/Белый/Beyaz White/Белый/Beyaz	060 062	152 [6.00] 159 [6.25]
43	Horizontal Sidewall Type 2/ Горизонтальные настенные типа 2/Yatay Duvar Tipi, Tip 2	2 79 [175] 3 93 [200]	9 Chrome/Хром/Krom 0 Chrome/Хром/Krom		Chrome/Хром/Krom White/Белый/Beyaz	065 067	165 [6.50] 171 [6.75]
44	Horizontal Sidewall Type 3/ Горизонтальные настенные типа 3/Yatay Duvar Tipi, Tip 3	4 141 [286] 5 182 [360]				372 480	946 [37.25] 1219 [48.00]

*Order length in 6 mm [1/4"] increments

*Заказываемая длина с приращением по 6 мм [1/4 дюйма]

*6 mm [1/4"] aralıklarla sipariş verebilirsiniz

For the most up-to-date technical information visit us online or speak to your local Sales contact

Для получения актуальной технической информации посетите наш сайт или обратитесь к местному торговому представителю.

En güncel teknik bilgiler için web sitemizi ziyaret edin veya yerel Satış yetkiliniz ile görüşün

Dry Sprinklers, Standard Coverage, Pendent

R Спринклеры сухого типа, стандартная площадь орошения, розеткой вниз

T Kuru Tip Sprinklerler, Standart Kaplama Alanlı, Aşağı Bakan

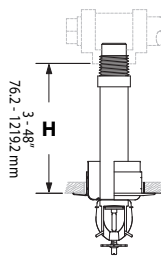


TFP 530



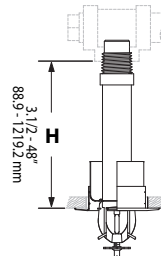
Art. Nr. 560104118, W-Type 17

[P.1.116]



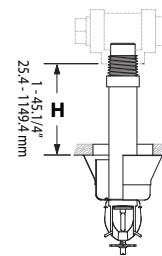
Type 1

Flush Escutcheon
Подрозетник,
устанавливаемый
заподлицо
Flush Rozet



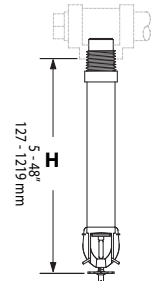
Type 2

Recessed Escutcheon
Утопленный
подрозетник
Gömme Rozet



Type 3

Extended Escutcheon
Глубокий подрозетник
Rozet



Type 4

w/o Escutcheon
Без подрозетника
Rozetsiz

K=147-161 [10.2-11.2] . 1" ISO . SIN TY5255 . UL

ART. NR. 161 XX X X XXX

Standard Response/ Стандартного реагирования/Normal Tepkili		Temp. °C [°F]		Sprinkler/ Спринклер/Sprinkler		F Escutcheon/ Подрозетник/Rozet		H* mm ["]	
10	Type 1	0	57 [135]	1	Brass/Латунь/Pirinç	White/Белый/Beyaz	060	152 [6.00]	
11	Type 2	1	68 [155]	4	White/Белый/Beyaz	White/Белый/Beyaz	062	159 [6.25]	
12	Type 3	2	79 [175]	9	Chrome/Хром/Krom	Chrome/Хром/Krom	065	165 [6.50]	
13	Type 4	3	93 [200]	0	Chrome/Хром/Krom	White/Белый/Beyaz	067	171 [6.75]	
		4	141 [286]	5	Brass/Латунь/Pirinç	Brass/Латунь/Pirinç	372	946 [37.25]	
							480	1219 [48.00]	

K=147-161 [10.2-11.2] . 1" ISO . SIN TY5235 . UL

ART. NR. 161 XX X X XXX

Quick Response/ Быстрого реагирования/Hızlı Tepkili		Temp. °C [°F]		Sprinkler/ Спринклер/Sprinkler		F Escutcheon/ Подрозетник/Rozet		H* mm ["]	
30	Type 1	0	57 [135]	1	Brass/Латунь/Pirinç	White/Белый/Beyaz	060	152 [6.00]	
31	Type 2	1	68 [155]	4	White/Белый/Beyaz	White/Белый/Beyaz	062	159 [6.25]	
32	Type 3	2	79 [175]	9	Chrome/Хром/Krom	Chrome/Хром/Krom	065	165 [6.50]	
35	Type 4	3	93 [200]	0	Chrome/Хром/Krom	White/Белый/Beyaz	067	171 [6.75]	
		4	141 [286]	5	Brass/Латунь/Pirinç	Brass/Латунь/Pirinç	372	946 [37.25]	
							480	1219 [48.00]	

***Order length in 6 mm [1/4"] increments**

*Заказываемая длина с приращением по 6 мм [1/4 дюйма]

*6 mm [1/4"] aralıklarla sipariş verebilirsiniz

For the most up-to-date technical information visit us online or speak to your local Sales contact

Для получения актуальной технической информации посетите наш сайт или обратитесь к местному торговому представителю.

En güncel teknik bilgiler için web sitemizi ziyaret edin veya yerel Satış yetkiliniz ile görüşün

Dry Sprinklers, Extended Coverage, Pendent

R Спринклеры сухого типа, с расширенной площадью орошения, розеткой вниз

T Kuru Tip Sprinklerler, Genişletilmiş Kaplama Alanlı, Aşağı Bakan

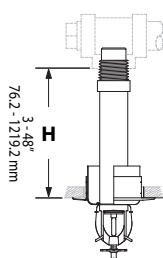


TFP540



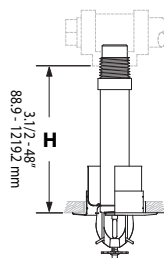
Art. Nr. 560104118, W-Type 17

[P.1.116]



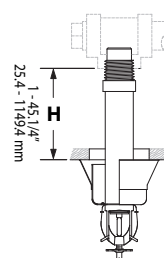
Type 1

Flush Escutcheon
Подрозетник,
устанавливаемей
заподлицо
Flush Rozet



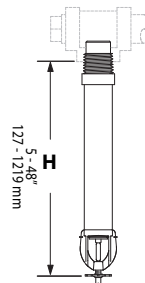
Type 2

Recessed Escutcheon
Утопленный
подрозетник
Gömme Rozet



Type 3

Extended Escutcheon
Глубокий подрозетник
Rozet



Type 4

w/o Escutcheon
Без подрозетника
Rozetsiz

K=147-161 [10.2-11.2] . 1" ISO . SIN TY5238 . UL

ART. NR. 161 XX X X XXX

Standard & Quick Response / Стандартного и быстрого реагирования/Normal ve Hızlı Tepkili		Temp. °C [°F]		Sprinkler/ Спринклер/Sprinkler		F Escutcheon/ Подрозетник/Rozet		H* mm ["]	
40	Type 1	0	57 [135]	1	Brass/Латунь/Pirinç	White/Белый/Beyaz	060	152 [6.00]	
41	Type 2	1	68 [155]	4	White/Белый/Beyaz	White/Белый/Beyaz	062	159 [6.25]	
42	Type 3	2	79 [175]	9	Chrome/Хром/Krom	Chrome/Хром/Krom	065	165 [6.50]	
43	Type 4	3	93 [200]	0	Chrome/Хром/Krom	White/Белый/Beyaz	067	171 [6.75]	
		4	141 [286]	5	Brass/Латунь/Pirinç	Brass/Латунь/Pirinç	372	946 [37.25]	
							480	1219 [48.00]	

For the most up-to-date technical information visit us online or speak to your local Sales contact

Для получения актуальной технической информации посетите наш сайт или обратитесь к местному торговому представителю.

En güncel teknik bilgiler için web sitemizi ziyaret edin veya yerel Satış yetkiliniz ile görüşün

*Order length in 6 mm [1/4"] increments

*Заказываемая длина с приращением по 6 мм [1/4 дюйма]

*6 mm [1/4"] aralıklarla sipariş verebilirsiniz

Dry Sprinklers, Extended Coverage, Horizontal Sidewall, Ordinary Hazard [ECOH]

- R** Спринклеры сухого типа, с расширенной площадью орошения, горизонтальные, настенные, для промышленных помещений [ECOH]
- T** Kuru Tip Sprinklerler, Geniřletilmiř Kaplama Alanlı, Yatay Duvar Tipi, Olařan Tehlike [ECOH]

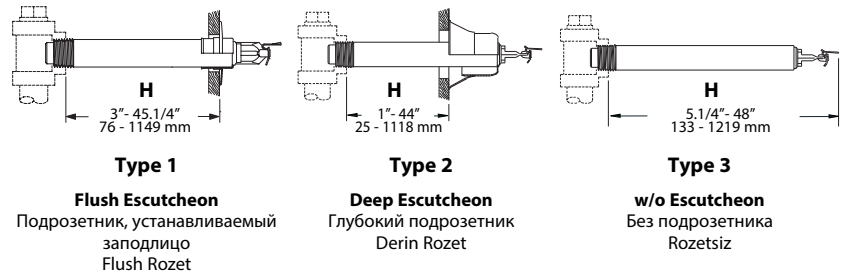


TFP550



Art. Nr. 568921001, W-Type 8

[P.1.116]



K=147-161 [10.2-11.2] . 1" ISO . SIN TY5339 . UL

ART. NR. 161 XX X X XXX

	Standard Response/ Стандартного реагирования/Normal Tepkili	Temp. °C [°F]	Sprinkler/ Sprinkler/Sprinkler		F Escutcheon/ Rosette/Rozet		H*	
			1	4	9	0	060	152 [6.00]
16	Horizontal Sidewall Type 1/ Горизонтальные настенные типа 1/Yatay Duvar Tipi, Tip 1	1	68 [155]	1	Brass/Латунь/Pirinç	Brass/Латунь/Pirinç	060	152 [6.00]
		3	93 [200]	4	White/Белый/Beyaz	White/Белый/Beyaz	062	159 [6.25]
17	Horizontal Sidewall Type 2/ Горизонтальные настенные типа 2/Yatay Duvar Tipi, Tip 2			9	Chrome/Хром/Krom	Chrome/Хром/Krom	065	165 [6.50]
				0	Chrome/Хром/Krom	White/Белый/Beyaz	067	171 [6.75]
15	Horizontal Sidewall Type 3/ Горизонтальные настенные типа 3/Yatay Duvar Tipi, Tip 3						372	946 [37.25]
							480	1219 [48.00]

*Order length in 6 mm [1/4"] increments

*Заказываемая длина с приращением по 6 мм [1/4 дюйма]

*6 mm [1/4"] aralıklarla sipariş verebilirsiniz

For the most up-to-date technical information visit us online or speak to your local Sales contact

Для получения актуальной технической информации посетите наш сайт или обратитесь к местному торговому представителю.

En güncel teknik bilgiler için web sitemizi ziyaret edin veya yerel Satış yetkiliniz ile görüşün

Dry Sprinklers, Standard/Extended Coverage, Pendent Concealed

R Спринклеры сухого типа, со стандартной/расширенной областью орошения, скрытая розетка

T Kuru Tip Sprinklerler, Normal/Genişletilmiş Kaplama Alanlı, Aşağı Bakan, Gizli



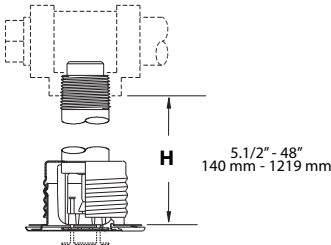
DS-ECC / DS-C



TFP 518 DS-ECC Extended Coverage / с расширенной площадью орошения / Genişletilmiş Kaplama Alanlı
TFP 515 DS-C Standard Coverage / со стандартной площадью орошения / Standart Kaplama Alanlı
 Order Cover Plate separately/Крышка заказывается отдельно/
 Kapak Plakasını ayrıca sipariş ediniz.



Art. nr. 560001075, RFII Wrench



For the most up-to-date technical information visit us online or speak to your local Sales contact

Для получения актуальной технической информации посетите наш сайт или обратитесь к местному торговому представителю.

En güncel teknik bilgiler için web sitemizi ziyaret edin veya yerel Satış yetkiliniz ile görüşün

DS-ECC . K=80 [5.6] . 1" ISO . SIN TY3539 . UL

ART. NR. I 60 XX X 1 XXX

Quick Response / Быстро реагирующая / Hızlı Tepkili		Temp. °C [°F]		H* mm ["]	
45	Pendent/Розеткой вниз/Аşağı Bakan	1	68 [155]	055	140 [5.50]
		3	93 [200]	082	210 [8.25]
				180	457 [18.00]
				187	476 [18.75]
				372	946 [37.25]
				480	1219 [48.00]

DS-C . K=80 [5.6] . 1" ISO . SIN TY3535/3555 . UL

ART. NR. I 60 XX X 1 XXX

TY3535 Quick Response / Быстро реагирующая / Hızlı Tepkili		Temp. °C [°F]		H* mm ["]	
46	Pendent/Розеткой вниз/Аşağı Bakan	1	68 [155]	055	140 [5.50]
		3	93 [200]	082	210 [8.25]
				180	457 [18.00]
				187	476 [18.75]
				372	946 [37.25]
				480	1219 [48.00]

*Order length in 6 mm [1/4"] increments

*Заказываемая длина с приращением по 6 мм [1/4 дюйма]

*6 mm [1/4"] aralıklarla sipariş verebilirsiniz

Cover Plate/Крышка/Кapak Plakası

Art. Nr.	T °C [°F]	F
567921135	59 [139]	1
567923135	59 [139]	3
567929135	59 [139]	9
567921165	74 [165]	1
567923165	74 [165]	3
567929165	74 [165]	9

Dry Sprinklers, Quick Response, Pendent

- R** Спринклеры сухого типа, быстрого реагирования, розеткой вниз
- T** Kuru Tip Sprinklerler, Hızlı Tepkili, Aşağı Bakan



DRY ESFR-17



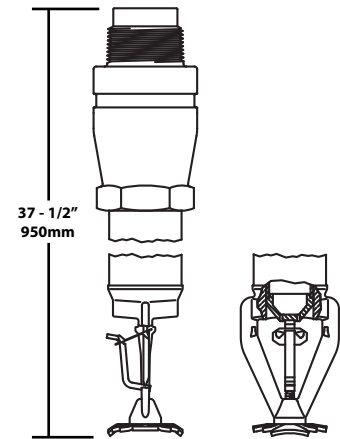
TFP 320



0.08 kg



Art. nr. 563411001, W-Type 26



K=242 [16.8] . 1 1/4" ISO . SIN TY7229 . H=950 mm [3 1/2"]

Art. Nr. Upright Розеткой вверх Yükarı Bakan	T °C [°F]	F	☑
I614411360	74 [165]	1	✓
I614421360	101 [214]	1	✓

For the most up-to-date technical information visit us online or speak to your local Sales contact

Для получения актуальной технической информации посетите наш сайт или обратитесь к местному торговому представителю.

En güncel teknik bilgiler için web sitemizi ziyaret edin veya yerel Satış yetkiliniz ile görüşün

Dry Sprinkler Boot for use with TFP Dry Type Sprinklers

- Колпак для спринклеров TFP "сухого" типа
- TFP Kuru Borulu Sprinklerlerle kullanım için Kuru Borulu Sprinkler Kılıfı



For the most up-to-date technical information visit us online or speak to your local Sales contact

Для получения актуальной технической информации посетите наш сайт или обратитесь к местному торговому представителю.

En güncel teknik bilgiler için web sitemizi ziyaret edin veya yerel Satış yetkiliniz ile görüşün

Art. Nr.	Description / Описание / Tanım
630000002	Includes one Boot, two Strap Ties and 1/3 oz. of Adhesive/ Комплект включает в себя один колпак, два хомута и 1/3 унции клея/ Bir Kılıf, iki Kayış Bağı ve 1/3 oz. Yapıştırıcı içermektedir

Special Sprinklers & Multiple Jet Controls

- R** Спринклеры специального назначения и Клапаны для нескольких оросителей
T Özel Sprinklerler ve Çok Amaçlı Sprinkler Başlığı ile Algılama Yapabilen Kontrol Ünitesi

Quick Response, Attic

Быстрого реагирования, для чердаков
Hızlı Tepkili, Tavan Arası



BB1- & BB2- &
BB3-17/32

P. 1.076

Quick Response, Attic

Быстрого реагирования, для чердаков
Hızlı Tepkili, Tavan Arası



BB1- & BB2- &
BB3-1/2"

P. 1.076

Quick Response, Attic

Быстрого реагирования, для чердаков
Hızlı Tepkili, Tavan Arası



SD1- & SD2- &
SD3-1/2"

P. 1.077

Quick Response, Attic

Быстрого реагирования, для чердаков
Hızlı Tepkili, Tavan Arası



HIP

P. 1.077

Quick Response, Horizontal Sidewall, Window

Быстрого реагирования, горизонтальные, настенные, для окон
Hızlı Tepkili, Yatay Duvar Tipi, Pencere



WS

P. 1.078

Quick Response, Upright, Window

Быстрого реагирования розеткой вверх, для окон
Hızlı Tepkili, Yukarı Bakan, Pencere



WS

P. 1.078

Quick Response, Upright, Combustible Concealed

Быстрого реагирования розеткой вверх, для подверженных возгоранию зон, скрытых строительными конструкциями
Hızlı Tepkili, Yukarı Bakan, Kolay Tutuşan Maddeler İçin, Gizli Tip



CC1 & CC2

P. 1.079

Institutional, Pendent

Для учреждений, розеткой вниз
Kurumsal, Aşağı Bakan



RAVEN

P. 1.080

Institutional, Horizontal Sidewall

Для учреждений, горизонтальные, настенные
Kurumsal, Yatay Duvar Tipi



RAVEN

P. 1.081

High Temperature, Pendent, Issue "D" Quartzoid® series

Высокотемпературные, розеткой вниз, выпуск серии "D" Quartzoid
Yüksek Isı, Aşağı Bakan, "D" Quartzoid® serisi



ISSUE D

P. 1.082

High Temperature, Issue "D" Quartzoid® series

Высокотемпературные, выпуск серии "D" Quartzoid
Yüksek Isı, "D" Quartzoid® serisi



ISSUE D

P. 1.083

Special Sprinklers & Multiple Jet Controls

® Спринклеры специального назначения и клапаны для нескольких оросителей

™ Özel Sprinklerler ve Çok Amaçlı Sprinkler Başlığı ile Algılama Yapabilen Kontrol Ünitesi

Flat Spray, Pendent

С плоской эспюрой орошения, розеткой вниз

Düz Sprey, Aşağı Bakan



TY-FS

P. 1.084

Flat Spray, Upright

С плоской эспюрой орошения, розеткой вверх

Düz Sprey, Yukarı Bakan



TY-FS

P. 1.085

Safety Twin Sprinkler, DS21

Сдвоенный спринклер с повышенной степенью защиты от ложных срабатываний, DS21

Çift Emniyetli Sprinkler Başlıkları, DS21



DS-21

P. 1.086

Fixed Temperature Release for Deluge & Preaction Systems

Термореле фиксированной температуры для дренчерных систем и систем типа Preaction

Baskın ve Ön Tepkimeli Sistemler için Sabit Isı Tepkimeli Sprinkler Başlığı



FTR-1

P. 1.087

Special Materials

Специальные материалы

Özel Malzemeler



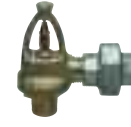
TY-B & TY-FRB

P. 1.088

Multiple Jet Controls, Single Inlet, Single Outlet

Клапаны для нескольких оросителей, один вход, один выход

Çok Amaçlı Sprinkler Başlığı ile Algılama Yapabilen Kontrol Ünitesi, Tek Girişli, Tek Çıkışlı



MJCS

P. 1.089

Multiple Jet Controls Single Inlet, Double Outlet

Клапаны для нескольких оросителей, один вход, два выхода

Çok Amaçlı Sprinkler Başlığı ile Algılama Yapabilen Kontrol Ünitesi, Tek Girişli, Çift Çıkışlı



MJCD

P. 1.090

Multiple Jet Controls, Double Inlet, Single Outlet

Клапаны для нескольких оросителей, два входа, один выход

Çok Amaçlı Sprinkler Başlığı ile Algılama Yapabilen Kontrol Ünitesi Çift Girişli, Tek Çıkışlı



MJC

P. 1.091

Special Sprinklers, Quick Response, Attic

- R** Спринклеры специального назначения, быстрого реагирования, для чердаков
- T** Özel Sprinklerler, Hızlı Tepkili, Aşağı Bakan



BB1- & BB2- & BB3-17/32



TFP 610

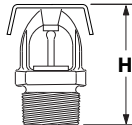


0.100 kg



Art. Nr. 568951001, W-Type 3

[P.1.116]



For the most up-to-date technical information visit us online or speak to your local Sales contact

Для получения актуальной технической информации посетите наш сайт или обратитесь к местному торговому представителю.

En güncel teknik bilgiler için web sitemizi ziyaret edin veya yerel Satış yetkiliniz ile görüşün

K=115 [8.0] • 3/4" NPT • H=54.0 mm [2-1/8"]

Art. Nr.	SIN	Type	Pitch	T	F	≡
				°C [°F]		
516231200	TY4180	BB1	4/12	93 [200]	1	√
516211200	TY4181	BB2	8/12	93 [200]	1	√
516221200	TY4182	BB3	12/12	93 [200]	1	√



BB1- & BB2- & BB3-1/2



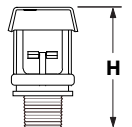
TFP 610



0.100 kg



Adjustable Wrench



K=80 [5.6] • 1/2" NPT • H=63.5 mm [2-1/2"]

Art. Nr.	SIN	Type	Pitch	T	F	≡
				°C [°F]		
506011212	TY3180	BB1	4/12	100 [212]	1	√
506021212	TY3181	BB2	8/12	100 [212]	1	√
506031212	TY3182	BB3	12/12	100 [212]	1	√

Special Sprinklers, Quick Response, Attic

R Спринклеры специального назначения, быстрого реагирования, для чердаков

T Özel Sprinklerler, Hızlı Tepkili, Aşağı Bakan



SD1- & SD2- & SD3-1/2



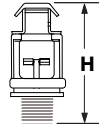
TFP 610



0.100 kg



Adjustable Wrench



For the most up-to-date technical information visit us online or speak to your local Sales contact

Для получения актуальной технической информации посетите наш сайт или обратитесь к местному торговому представителю.

En güncel teknik bilgiler için web sitemizi ziyaret edin veya yerel Satış yetkiliniz ile görüşün

K=80 [5.6] • 1/2" NPT • H=76.2 mm [3"]

Art. Nr.	SIN	Type	Pitch	T	F	≡
				°C [°F]		
506111212	TY3183	SD1	4/12	100 [212]	1	√
506121212	TY3184	SD2	8/12	100 [212]	1	√
506131212	TY3185	SD3	12/12	100 [212]	1	√



HIP



TFP 610

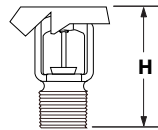


0.100 kg



Art. Nr. 568951001, W-Type 3

[P.1.116]



K=80 [5.6] • 1/2" NPT • H=50.8 mm [2"]

Art. Nr.	SIN	Type	T	F	≡	
				°C [°F]		
516201200	TY3187	HIP	93 [200]	1	√	

Special Sprinklers, Quick Response, Window

- R** Спринклеры специального назначения, быстрого реагирования, для окон
- T** Özel Sprinklerler, Hızlı Tepkili, Pencere



WS



TFP 620

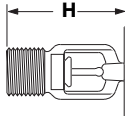


0.100 kg



[P.1.116]

Art. Nr. 560001106
W-type 20



For the most up-to-date technical information visit us online or speak to your local Sales contact

Для получения актуальной технической информации посетите наш сайт или обратитесь к местному торговому представителю.

En güncel teknik bilgiler için web sitemizi ziyaret edin veya yerel Satış yetkiliniz ile görüşün

K=80 [5.6] . 1/2" NPT . SIN TY3388 . H=54.0 mm [2-1/8"]

Art. Nr. Horizontal Yatay	T °C [°F]	F	UL CNBOP
503051155	68 [155]	1	√ √
503051200	93 [200]	1	√ √
503054155	68 [155]	4	√ √
503054200	93 [200]	4	√ √
503059155	68 [155]	9	√ √
503059200	93 [200]	9	√ √



WS



TFP 620

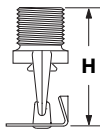


0.100 kg



[P.1.116]

Art. Nr. 560001106
W-type 20



K=80 [5.6] . 1/2" NPT . SIN TY3488 . H=54.0 mm [2-1/8"]

Art. Nr. Vertical Dikey	T °C [°F]	F	UL CNBOP
503041155	68 [155]	1	√ √
503041200	93 [200]	1	√ √
503044155	68 [155]	4	√ √
503044200	93 [200]	4	√ √
503049155	68 [155]	9	√ √
503049200	93 [200]	9	√ √

Special Sprinklers, Quick Response, Combustible Concealed

- R** Спринклеры специального назначения, быстрого реагирования, розеткой вверх, для подверженных возгоранию зон, скрытых строительными конструкциями
- T** Özel Sprinklerler, Hızlı Tepkili, Kolay Tutuşan Maddeler İçin, Gizli tip



TFP 630

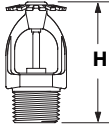


0.100 kg



Art. Nr. 560001106, W-Type 20

[P.1.116]



For the most up-to-date technical information visit us online or speak to your local Sales contact

Для получения актуальной технической информации посетите наш сайт или обратитесь к местному торговому представителю.

En güncel teknik bilgiler için web sitemizi ziyaret edin veya yerel Satış yetkiliniz ile görüşün

K=43 [3.0] . 1/2" NPT . SIN TY1189 . H=57.2 mm [2-1/4"]

Art. Nr.	T °C [°F]	F	≡
503001175	79 [175]	1	√



TFP 632

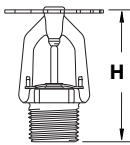


0.100 kg



Art. Nr. 560006387, W-Type 6

[P.1.116]



K=80 [5.6] . 1/2" NPT . SIN TY3189 . H=57.2 mm [2-1/4"]

Art. Nr.	T °C [°F]	F	≡
513011175	79 [175]	1	√

K=60 [4.2] . 1/2" NPT . SIN TY2189 . H=57.2 mm [2-1/4"]

Art. Nr.	T °C [°F]	F	≡
513111175	79 [175]	1	√

Special Sprinklers, Institutional Pendent

- R** Спринклеры специального назначения, для учреждений, розеткой вниз
- T** Özel Sprinklerler, Kurumsal, Aşağı Bakan



RAVEN



TFP 651

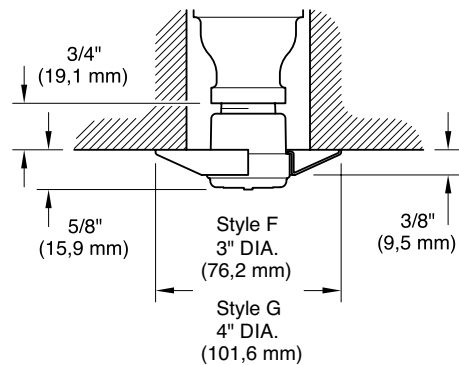
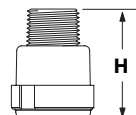


0.10 kg



**Art. Nr. 563141001,
W-type 25**

[P.1.116]



K=80[5.6] . 1/2" NPT . SIN TY3281 . H=45 mm [1.11/16"]

Art. Nr. Standard Coverage Со стандартной площадью орошения Standart Kaplama Alanli	T °C [°F]	F	☑
503144165	74 [165]	4	✓
503149165	74 [165]	9	✓

K=80[5.6] . 1/2" NPT . SIN TY3282 . H=45 mm [1.11/16"]

Art. Nr. Extended Coverage С расширенной площадью орошения Genişletilmiş Kaplama Alanli	T °C [°F]	F	☑
503154165	74 [165]	4	✓
503159165	74 [165]	9	✓

Escutcheon / Подрозетник / Rozet

Art. Nr.	Style	F
563144010	F	4
563149010	F	9
563124010	G	4
563129010	G	9

For the most up-to-date technical information visit us online or speak to your local Sales contact

Для получения актуальной технической информации посетите наш сайт или обратитесь к местному торговому представителю.

En güncel teknik bilgiler için web sitemizi ziyaret edin veya yerel Satış yetkiliniz ile görüşün

Special Sprinklers, Institutional Horizontal Sidewall

R Спринклеры специального назначения, горизонтальные настенные, для учреждений

T Özel Sprinklerler, Kurumsal, Yatay Duvar Tipi



RAVEN



TFP 651

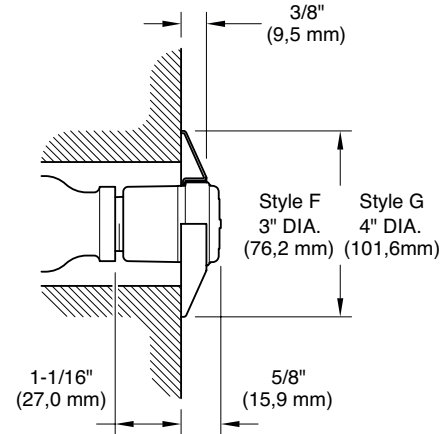
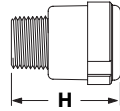


0.10 kg



[P.1.116]

Art. Nr. 563141001, W-type 25



K=80[5.6] • 1/2" NPT • SIN TY3381 • H=45 mm [1.11/16"]

Art. Nr. Standard Coverage Со стандартной площадью орошения Normal Kaplama Alanlı	T °C [°F]	F	☑
503164165	74 [165]	4	✓
503169165	74 [165]	9	✓

K=80[5.6] • 1/2" NPT • SIN TY3382 • H=45 mm [1.11/16"]

Art. Nr. Extended Coverage С расширенной площадью орошения Genişletilmiş Kaplama Alanlı	T °C [°F]	F	☑
503174165	74 [165]	4	✓
503179165	74 [165]	9	✓

Escutcheon / Подрозетник / Rozet

Art. Nr.	Style	F
563144010	F	4
563149010	F	9
563124010	G	4
563129010	G	9

For the most up-to-date technical information visit us online or speak to your local Sales contact

Для получения актуальной технической информации посетите наш сайт или обратитесь к местному торговому представителю.

En güncel teknik bilgiler için web sitemizi ziyaret edin veya yerel Satış yetkiliniz ile görüşün

Special Sprinklers, High Temperature, Issue "D" Quartzoid® series

R Спринклеры специального назначения, высокотемпературные, выпуск серии "D" Quartzoid

T Özel Sprinklerler, Yüksek Isı, "D" Quartzoid® seris



ISSUE D



TFP690

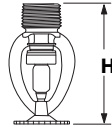


0.100 kg



[P.1.116]

Art. Nr. 564521001, W-Type 11



For the most up-to-date technical information visit us online or speak to your local Sales contact

Для получения актуальной технической информации посетите наш сайт или обратитесь к местному торговому представителю.

En güncel teknik bilgiler için web sitemizi ziyaret edin veya yerel Satış yetkiliniz ile görüşün

K=80 [5.6] . 1/2" NPT . SIN TY3296 . H=74.6 mm [2-15/16"]

Art. Nr. Pendent Розеткой вниз Aşağı Bakal	T °C [°F]	F	UL	FM	LPC
510401400	204 [400]	1	√	√	
510401500	260 [500]	1	√	√	√
510401650	343 [650]	1	√	√	
510409400	204 [400]	9	√	√	
510409500	260 [500]	9	√	√	
510409650	343 [650]	9	√	√	



ISSUE D



TFP690

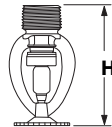


0.100 kg



[P.1.116]

Art. Nr. 564521001, W-Type 11



K=115 [8.0] . 3/4" NPT . SIN TY4292 . H=74.6 mm [2-15/16"]

Art. Nr. Pendent Розеткой вниз Aşağı Bakal	T °C [°F]	F	UL
511401400	204 [400]	1	√
511401500	260 [500]	1	√
511409400	204 [400]	9	√
511409500	260 [500]	9	√

Special Sprinklers, High Temperature, Issue "D" Quartzoid® series

R Спринклеры специального назначения, высокотемпературные, выпуск серии "D" Quartzoid

T Özel Sprinklerler, Yüksek Isı, "D" Quartzoid® serisi



ISSUE D



TFP690

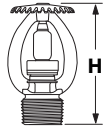


0.100 kg



Art. Nr. 564521001, W-Type 11

[P.1.116]



For the most up-to-date technical information visit us online or speak to your local Sales contact

Для получения актуальной технической информации посетите наш сайт или обратитесь к местному торговому представителю.

En güncel teknik bilgiler için web sitemizi ziyaret edin veya yerel Satış yetkiliniz ile görüşün

K=80 [5.6] . 1/2" NPT . SIN TY3191 . H=74.6 mm [2-15/16"]

Art. Nr. Upright Розеткой вверх Yükarı Bakan	T °C [°F]	F	IPCB	FM	UL
510361400	204 [400]	1	√	√	√
510361500	260 [500]	1	√	√	√
510361650	343 [650]	1	√	√	√
510369400	204 [400]	9	√	√	√
510369500	260 [500]	9	√	√	√
510369650	343 [650]	9	√	√	√



ISSUE D



TFP690

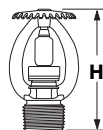


0.100 kg



Art. Nr. 564521001, W-Type 11

[P.1.116]



K=115 [8.0] . 3/4" NPT . SIN TY4191 . H=74.6 mm [2-15/16"]

Art. Nr. Upright Розеткой вверх Yükarı Bakan	T °C [°F]	F	UL
511361400	204 [400]	1	√
511361500	260 [500]	1	√
511369400	204 [400]	9	√
511369500	260 [500]	9	√

Special Sprinklers, Flat Spray

R Спринклеры специального назначения, с плоской эсперой орошения

T Özel Sprinklerler, Yassı Sprey



TY-FS



TFP635

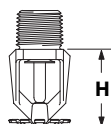


0.100 kg



Art. Nr. 56006387, W-Type 6

[P.1.116]



For the most up-to-date technical information visit us online or speak to your local Sales contact

Для получения актуальной технической информации посетите наш сайт или обратитесь к местному торговому представителю.

En güncel teknik bilgiler için web sitemizi ziyaret edin veya yerel Satış yetkiliniz ile görüşün

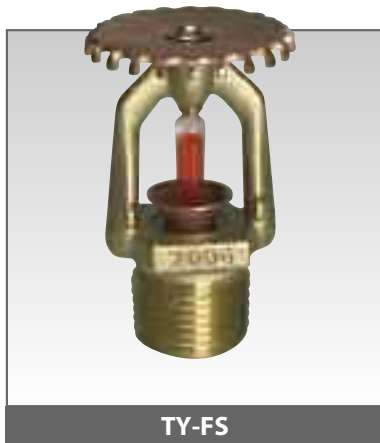
K=57 [4.0] • 3/8" ISO • H=40 mm						
Art. Nr. Pendent Розеткой вниз Aşağı Bakan	T °C [°F]	F	Response Реагирование Терки	SIN	VDS	CE
513821135	57 [135]	1	Quick/Быстрого реагирования/Hzli	TY1236	✓	✓
513821155	68 [155]	1	Quick/Быстрого реагирования/Hzli	TY1236	✓	✓
513821200	93 [200]	1	Quick/Быстрого реагирования/Hzli	TY1236	✓	✓
513821286	141 [286]	1	Quick/Быстрого реагирования/Hzli	TY1236	✓	✓
514821135	57 [135]	1	Special/Специальные/Özel	TY1246	✓	✓
514821155	68 [155]	1	Special/Специальные/Özel	TY1246	✓	✓
514821200	93 [200]	1	Special/Специальные/Özel	TY1246	✓	✓
514821286	141 [286]	1	Special/Специальные/Özel	TY1246	✓	✓
515821135	57 [135]	1	Standard	TY1256	✓	✓
515821155	68 [155]	1	Standard	TY1256	✓	✓
515821200	93 [200]	1	Standard	TY1256	✓	✓
515821286	141 [286]	1	Standard	TY1256	✓	✓

K=80 [5.6] • 1/2" NPT • H=40 mm						
Art. Nr. Pendent Розеткой вниз Aşağı Bakan	T °C [°F]	F	Response Реагирование Терки	SIN	VDS	CE
513711135	57 [135]	1	Quick/Быстрого реагирования/Hzli	TY3236	✓	✓
513711155	68 [155]	1	Quick/Быстрого реагирования/Hzli	TY3236	✓	✓
513711200	93 [200]	1	Quick/Быстрого реагирования/Hzli	TY3236	✓	✓
513711286	141 [286]	1	Quick/Быстрого реагирования/Hzli	TY3236	✓	✓
514711135	57 [135]	1	Special/Специальные/Özel	TY3246	✓	✓
514711155	68 [155]	1	Special/Специальные/Özel	TY3246	✓	✓
514711200	93 [200]	1	Special/Специальные/Özel	TY3246	✓	✓
514711286	141 [286]	1	Special/Специальные/Özel	TY3246	✓	✓
515711135	57 [135]	1	Standard	TY3256	✓	✓
515711155	68 [155]	1	Standard	TY3256	✓	✓
515711200	93 [200]	1	Standard	TY3256	✓	✓
515711286	141 [286]	1	Standard	TY3256	✓	✓

K=115 [8.0] • 3/4" NPT • H=46 mm						
Art. Nr. Pendent Розеткой вниз Aşağı Bakan	T °C [°F]	F	Response Реагирование Терки	SIN	VDS	CE
513911135	57 [153]	1	Quick/Быстрого реагирования/Hzli	TY4236	✓	✓
513911155	68 [155]	1	Quick/Быстрого реагирования/Hzli	TY4236	✓	✓
513911200	93 [200]	1	Quick/Быстрого реагирования/Hzli	TY4236	✓	✓
513911286	141 [286]	1	Quick/Быстрого реагирования/Hzli	TY4236	✓	✓
514911135	57 [153]	1	Special/Специальные/Özel	TY4246	✓	✓
514911155	68 [155]	1	Special/Специальные/Özel	TY4246	✓	✓
514911200	93 [200]	1	Special/Специальные/Özel	TY4246	✓	✓
514911286	141 [286]	1	Special/Специальные/Özel	TY4246	✓	✓
515911135	57 [153]	1	Standard	TY4256	✓	✓
515911155	68 [155]	1	Standard	TY4256	✓	✓
515911200	93 [200]	1	Standard	TY4256	✓	✓
515911286	141 [286]	1	Standard	TY4256	✓	✓

Special Sprinklers, Flat Spray

- R** Спринклеры специального назначения, с плоской эсперой орошения
- T** Özel Sprinklerler, Düz Sprey



TFP635

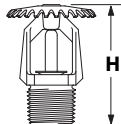


0.100 kg



Art. Nr. 56006387, W-Type 6

[P.1.116]



For the most up-to-date technical information visit us online or speak to your local Sales contact

Для получения актуальной технической информации посетите наш сайт или обратитесь к местному торговому представителю.

En güncel teknik bilgiler için web sitemizi ziyaret edin veya yerel Satış yetkiliniz ile görüşün

K=57 [4.0] • 3/8" ISO • H=55 mm

Art. Nr. Upright Розеткой вверх Yukarı Bakan	T °C [°F]	F	Response Реагирование Терпки	SIN	VDS	CE
513801135	57 [153]	1	Quick/Быстрого реагирования/Hzli	TY1136	✓	✓
513801155	68 [155]	1	Quick/Быстрого реагирования/Hzli	TY1136	✓	✓
513801200	93 [200]	1	Quick/Быстрого реагирования/Hzli	TY1136	✓	✓
513801286	141 [286]	1	Quick/Быстрого реагирования/Hzli	TY1136	✓	✓
514801135	57 [153]	1	Special/Специальные/Özel	TY1146	✓	✓
514801155	68 [155]	1	Special/Специальные/Özel	TY1146	✓	✓
514801200	93 [200]	1	Special/Специальные/Özel	TY1146	✓	✓
514801286	141 [286]	1	Special/Специальные/Özel	TY1146	✓	✓
515801135	57 [153]	1	Standard	TY1156	✓	✓
515801155	68 [155]	1	Standard	TY1156	✓	✓
515801200	93 [200]	1	Standard	TY1156	✓	✓
515801286	141 [286]	1	Standard	TY1156	✓	✓

K=80 [5.6] • 1/2" NPT • H=57 mm

Art. Nr. Upright Розеткой вверх Yukarı Bakan	T °C [°F]	F	Response Реагирование Терпки	SIN	VDS	CE
513701135	57 [153]	1	Quick/Быстрого реагирования/Hzli	TY3136	✓	✓
513701155	68 [155]	1	Quick/Быстрого реагирования/Hzli	TY3136	✓	✓
513701200	93 [200]	1	Quick/Быстрого реагирования/Hzli	TY3136	✓	✓
513701286	141 [286]	1	Quick/Быстрого реагирования/Hzli	TY3136	✓	✓
514701135	57 [153]	1	Special/Специальные/Özel	TY3146	✓	✓
514701155	68 [155]	1	Special/Специальные/Özel	TY3146	✓	✓
514701200	93 [200]	1	Special/Специальные/Özel	TY3146	✓	✓
514701286	141 [286]	1	Special/Специальные/Özel	TY3146	✓	✓
515701135	57 [153]	1	Standard	TY3156	✓	✓
515701155	68 [155]	1	Standard	TY3156	✓	✓
515701200	93 [200]	1	Standard	TY3156	✓	✓
515701286	141 [286]	1	Standard	TY3156	✓	✓

K=115 [8.0] • 3/4" NPT • H=60 mm

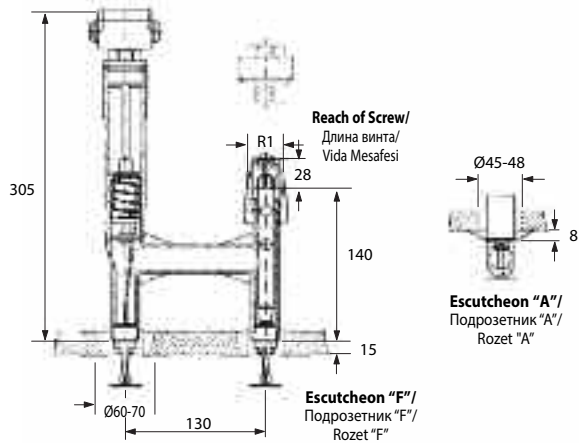
Art. Nr. Upright Розеткой вверх Yukarı Bakan	T °C [°F]	F	Response Реагирование Терпки	SIN	VDS	CE
513901135	57 [135]	1	Quick/Быстрого реагирования/Hzli	TY4136	✓	✓
513901155	68 [155]	1	Quick/Быстрого реагирования/Hzli	TY4136	✓	✓
513901200	93 [200]	1	Quick/Быстрого реагирования/Hzli	TY4136	✓	✓
513901286	141 [286]	1	Quick/Быстрого реагирования/Hzli	TY4136	✓	✓
514901135	57 [135]	1	Special/Специальные/Özel	TY4146	✓	✓
514901155	68 [155]	1	Special/Специальные/Özel	TY4146	✓	✓
514901200	93 [200]	1	Special/Специальные/Özel	TY4146	✓	✓
514901286	141 [286]	1	Special/Специальные/Özel	TY4146	✓	✓
515901135	57 [135]	1	Standard	TY4156	✓	✓
515901155	68 [155]	1	Standard	TY4156	✓	✓
515901200	93 [200]	1	Standard	TY4156	✓	✓
515901286	141 [286]	1	Standard	TY4156	✓	✓

Special Sprinklers, Safety Twin, DS21

- R** Спринклеры специального назначения, сдвоенный спринклер с повышенной степенью защиты от ложных срабатываний, DS21
- T** Özel Sprinklerler, Çift Emniyet Başlıklı Tipi DS21

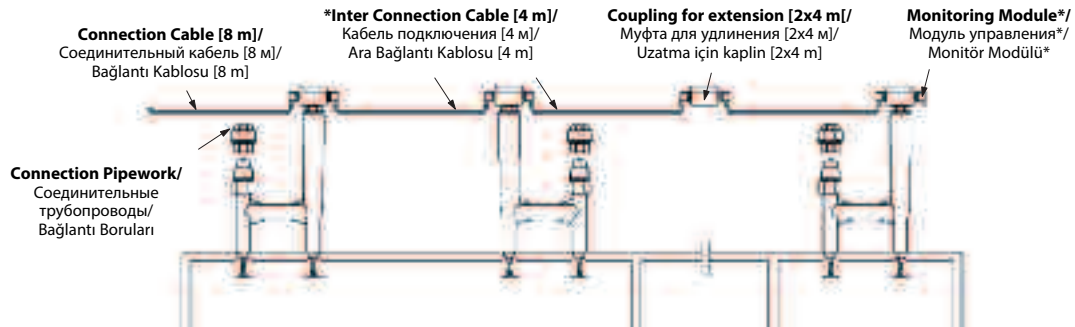


Kg 2 kg



K=57 [4.0] . 1" ISO

Art. Nr.	Description / Описание / Tanım	T °C [°F]	F	WDS
844085	Sprinkler /Спринклер/Sprinkler	68 [155]	1/9	✓
816505	Monitoring Panel DSZ3000 /Панель управления/İzleme Paneli			✓
816827	Accessories DSZ 3000 Panel /Принадлежности для панели DSZ 3000/Aksesuarlar DSZ 3000 Paneli*			✓
815719	Interconnection Cable /Кабель подключения/Ара Bağlantı Kablosu			✓
816712	Coupling for Extension /Муфта для удлинения/Uzatma için Kaplin			✓



- *Note:** Connection cable [8 m], monitoring module and mounting material are included in the accessories for monitoring panel.
- *Примечание: Кабель подключения [8 м], модуль мониторинга и крепежные материалы включены в принадлежности панели мониторинга.
- *Not: Bağlantı kablosu [8 m], monitör modülü ve montaj için gereken her şey monitör panosunun aksesuarlarına dahildir.

For the most up-to-date technical information visit us online or speak to your local Sales contact

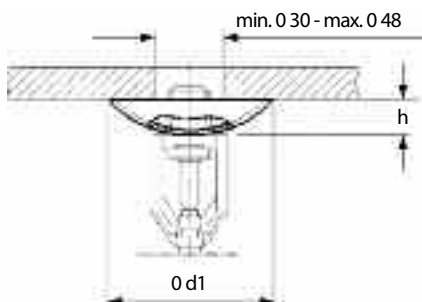
Для получения актуальной технической информации посетите наш сайт или обратитесь к местному торговому представителю.

En güncel teknik bilgiler için web sitemizi ziyaret edin veya yerel Satış yetkiliniz ile görüşün

Sprinklers Accessories, One Piece Escutcheon for DS21

- R** Принадлежности для спринклеров, Подрозетник для DS21
- T** Sprinkler Aksesuarları, DS21 için Tek Parça Rozet

Type/Typ A



Art. Nr. Order No.	Ød1	H mm	Designation Обозначение Atama	Weight Бес Аğırlık
216039(LG)	72	12	Rosette escutcheon A-1/2"	0,004

Fixed Temperature Release for Deluge & Preaction Systems

- R** Термореле фиксированной температуры для дренчерных систем и систем Preaction
T Baskın ve Ön Tepkimeli Sistemler için Sabit Isı Algılamalı Sprinkler Başlığı



TFP1388

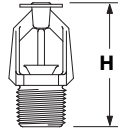


0.08 kg



Art. Nr. 56006387, W-Type 6

[P.1.116]



For the most up-to-date technical information visit us online or speak to your local Sales contact

Для получения актуальной технической информации посетите наш сайт или обратитесь к местному торговому представителю.

En güncel teknik bilgiler için web sitemizi ziyaret edin veya yerel Satış yetkiliniz ile görüşün

K=80 [5.6] • 1/2" NPT • SIN TY3030 • H=55.6 mm [2-3/16"]

Art. Nr.	T °C [°F]	Listed spacing Расстояние расстановки Listelenen boşluk	F	≡
510411135	57 [135]	12.2 m x 12.2 m	1	√
510411155	68 [155]	9.1 m x 9.1 m	1	√
510411175	79 [175]	12.2 m x 12.2 m	1	√
510411200	93 [200]	9.1 m x 9.1 m	1	√
510414135	57 [135]	12.2 m x 12.2 m	9	√
510414155	68 [155]	9.1 m x 9.1 m	9	√
510414175	79 [175]	12.2 m x 12.2 m	9	√
510414200	93 [200]	9.1 m x 9.1 m	9	√

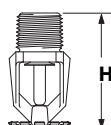
Wet or dry pilot release service / Для систем с «сухим» или «мокрым» пилотным пуском / Islak veya kuru pilot algılamalı

Special Sprinklers, Special Materials

- R** Спринклеры специального назначения, специальные материалы
- T** Özel Sprinklerler, Özel Malzemeler



TY-B & TY-FRB



For the most up-to-date technical information visit us online or speak to your local Sales contact

Для получения актуальной технической информации посетите наш сайт или обратитесь к местному торговому представителю.

En güncel teknik bilgiler için web sitemizi ziyaret edin veya yerel Satış yetkiliniz ile görüşün

K=80[5.6] • 1/2" NPT • K=115[8.0]/3/4" NPT • H=55.6 mm

Material Материал Malzeme	T °C [°F]
Titanium/Титан/Titanyum	57 [135] - 182 [360]
6MO/6MO/6MO	57 [135] - 182 [360]
Stainless Steel/Нержавеющая сталь/Paslanmaz Çelik	57 [135] - 182 [360]
Zeron 100/Zeron 100/Zeron 100	57 [135] - 182 [360]
Aluminium Bronze/Алюминий и бронза/Alüminyum Bronz	57 [135] - 182 [360]

* Available in Pendent, Upright and Conventional

* Выпускается в вариантах розеткой вниз, вверх и универсальной

* Aşağı Bakan, Yukarı Bakan ve Konvansiyonel tipte mevcuttur


K=80 [5.6] • 1/2" NPT • H=57 mm [2-3/16"]

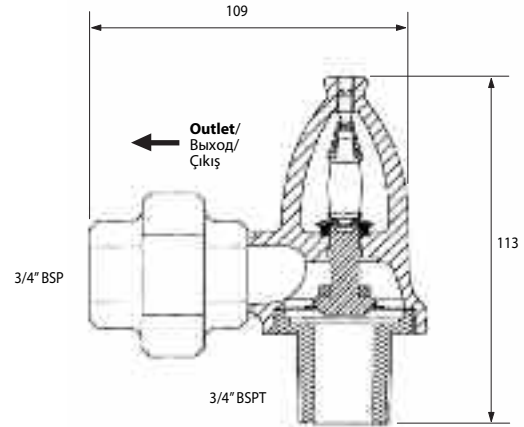
Art. Nr.	T °C [°F]	F	Type Тип Tipe	SIN
575710135	57 [135]	0	Pendent /Розеткой вниз/Aşağı Bakan	TY8291
575710155	68 [155]	0	Pendent /Розеткой вниз/Aşağı Bakan	TY8291
575710200	93 [200]	0	Pendent /Розеткой вниз/Aşağı Bakan	TY8291
575710286	141 [286]	0	Pendent /Розеткой вниз/Aşağı Bakan	TY8291
575710360	182 [360]	0	Pendent /Розеткой вниз/Aşağı Bakan	TY8291
575700135	57 [135]	0	Upright /Розеткой вверх/Yukarı Bakan	TY8191
575700155	68 [155]	0	Upright /Розеткой вверх/Yukarı Bakan	TY8191
575700200	93 [200]	0	Upright /Розеткой вверх/Yukarı Bakan	TY8191
575700286	141 [286]	0	Upright /Розеткой вверх/Yukarı Bakan	TY8191
575700360	182 [360]	0	Upright /Розеткой вверх/Yukarı Bakan	TY8191
575730135	57 [135]	0	Conventional /Универсальный/Konvansiyonel	TY8691
575730155	68 [155]	0	Conventional /Универсальный/Konvansiyonel	TY8691
575730200	93 [200]	0	Conventional /Универсальный/Konvansiyonel	TY8691
575730286	141 [286]	0	Conventional /Универсальный/Konvansiyonel	TY8691
575730360	182 [360]	0	Conventional /Универсальный/Konvansiyonel	TY8691

Multiple Jet Controls, Single Inlet, Single Outlet

- R Клапаны для нескольких оросителей, один вход, один выход
- T Çok Amaçlı Sprinkler Başlığı ile Algılama Yapabilen Kontrol Ünitesi , Tek Girişli, Tek Çıkışlı



 1.50 kg



Art. Nr.	T °C [°F]	IPCB
MJCSO0027B	68 [155]	✓
MJCSO0027D	79 [175]	✓
MJCSO0027E	93 [200]	✓
MJCSO0027G	141 [286]	✓
MJCSO0027H	182 [360]	✓
MJCSO0027I	227 [440]	✓
MJCSO0027J	260 [500]	✓

For the most up-to-date technical information visit us online or speak to your local Sales contact

Для получения актуальной технической информации посетите наш сайт или обратитесь к местному торговому представителю.

En güncel teknik bilgiler için web sitemizi ziyaret edin veya yerel Satış yetkiliniz ile görüşün

Multiple Jet Controls, Single Inlet, Double Outlet

R Клапаны для нескольких оросителей, один вход, два выхода

T Çok Amaçlı Sprinkler Başlığı ile Algılama Yapabilen Kontrol Ünitesi , Tek Girişli, Çift Çıkışlı



MJCD

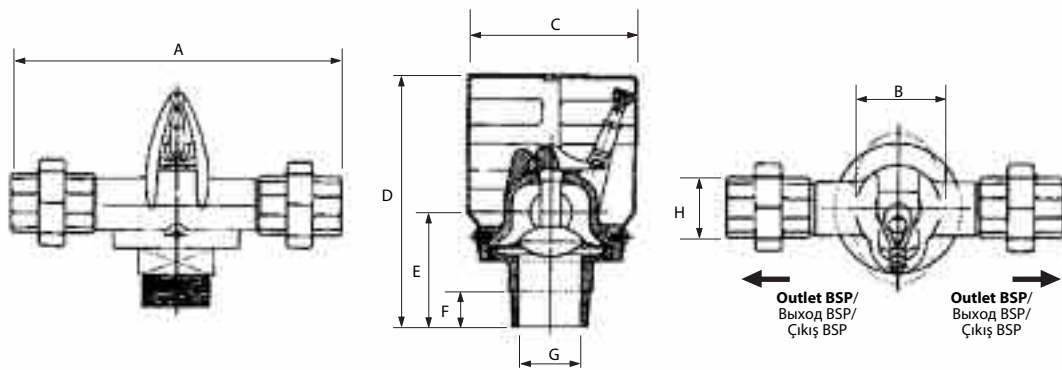


1.50 kg

For the most up-to-date technical information visit us online or speak to your local Sales contact

Для получения актуальной технической информации посетите наш сайт или обратитесь к местному торговому представителю.

En güncel teknik bilgiler için web sitemizi ziyaret edin veya yerel Satış yetkiliniz ile görüşün



DN20-DN40: Male/Наружная резьба/Erkek
DN50: Female/Внутренняя резьба/Dişi

Art. Nr.	T °C [°F]	A mm	B mm	C mm	D mm	E mm	F mm	G DN	H DN	IPC
MJCDO0027B	68 [155]	165	-	-	110	50	20	20 3/4"	20 3/4"	✓
MJCDO0027D	79 [175]	165	-	-	110	50	20	20 3/4"	20 3/4"	✓
MJCDO0027E	93 [200]	165	-	-	110	50	20	20 3/4"	20 3/4"	✓
MJCDO0027G	141 [286]	165	-	-	110	50	20	20 3/4"	20 3/4"	✓
MJCDO0027H	182 [360]	165	-	-	110	50	20	20 3/4"	20 3/4"	✓
MJCDO0027I	227 [440]	165	-	-	110	50	20	20 3/4"	20 3/4"	✓
MJCDO0027J	260 [500]	165	-	-	110	50	20	20 3/4"	20 3/4"	✓
MJCDO0034B	68 [155]	196	67	105	148	60	23	25 1"	25 1"	✓
MJCDO0034D	79 [175]	196	67	105	148	60	23	25 1"	25 1"	✓
MJCDO0034E	93 [200]	196	67	105	148	60	23	25 1"	25 1"	✓
MJCDO0034G	141 [286]	196	67	105	148	60	23	25 1"	25 1"	✓
MJCDO0034H	182 [360]	196	67	105	148	60	23	25 1"	25 1"	✓
MJCDO0034I	227 [440]	196	67	105	148	60	23	25 1"	25 1"	✓
MJCDO0034J	260 [500]	196	67	105	148	60	23	25 1"	25 1"	✓
MJCDO0048B	68 [155]	230	67	107	165	70	25	40 1.1/2"	25 1"	✓
MJCDO0048D	79 [175]	230	67	107	165	70	25	40 1.1/2"	25 1"	✓
MJCDO0048E	93 [200]	230	67	107	165	70	25	40 1.1/2"	25 1"	✓
MJCDO0048G	141 [286]	230	67	107	165	70	25	40 1.1/2"	25 1"	✓
MJCDO0048H	182 [360]	230	67	107	165	70	25	40 1.1/2"	25 1"	✓
MJCDO0048I	227 [440]	230	67	107	165	70	25	40 1.1/2"	25 1"	✓
MJCDO0048J	260 [500]	230	67	107	165	70	25	40 1.1/2"	25 1"	✓
MJCDO0060B	68 [155]	225	69	136	182	60	25	50 2"	40 1.1/2"	✓
MJCDO0060D	79 [175]	225	69	136	182	60	25	50 2"	40 1.1/2"	✓
MJCDO0060E	93 [200]	225	69	136	182	60	25	50 2"	40 1.1/2"	✓
MJCDO0060G	141 [286]	225	69	136	182	60	25	50 2"	40 1.1/2"	✓
MJCDO0060H	182 [360]	225	69	136	182	60	25	50 2"	40 1.1/2"	✓
MJCDO0060I	227 [440]	225	69	136	182	60	25	50 2"	40 1.1/2"	✓
MJCDO0060J	260 [500]	225	69	136	182	60	25	50 2"	40 1.1/2"	✓

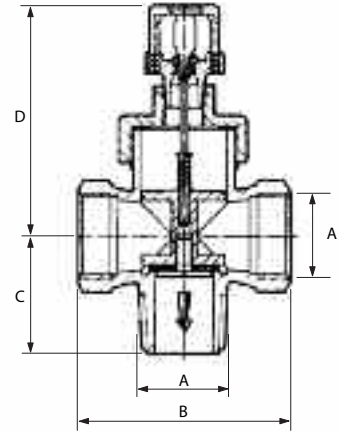
Multiple Jet Controls, Double Inlet, Single Outlet

Ⓜ Клапаны для нескольких оросителей, два входа, один выход

Ⓜ Çok Amaçlı Sprinkler Başlığı ile Algılama Yapabilen Kontrol Ünitesi , Çift Girişli, Tek Çıkışlı



Ⓜ 1.50 kg



Art. Nr.	T °C [°F]	A [BSP] "	Equivalent Length Эквивалентная длина Eşdeğer Uzunluk	B mm	C mm	D mm	VDS
2122206	68 [155]	1.1/4	1.8 m	105	58	110	√

For the most up-to-date technical information visit us online or speak to your local Sales contact

Для получения актуальной технической информации посетите наш сайт или обратитесь к местному торговому представителю.

En güncel teknik bilgiler için web sitemizi ziyaret edin veya yerel Satış yetkiliniz ile görüşün

Nozzles

R Оросители

T Nozullar

Medium Velocity, MV

Средней интенсивности, MV
Orta Yoğunluklu, MV



P. 1.094

Medium Velocity, Sealed MV

Средней интенсивности, герметичные, MV
Orta Yoğunluklu, Kapalı MV



P. 1.095

Medium Velocity, Type Tank Top

Средней интенсивности, устанавливаемые сверху резервуара
Orta Yoğunluklu, Tank Üstü Tipi



P. 1.096

Medium Velocity, Reverse Acting

Средней интенсивности, обратного действия
Orta Yoğunluklu, Retroaktif



P. 1.096

Type A Drencher

Дренчеры типа А
Tip A Su Perdese Nozulu



P. 1.097

Window Wall Drencher

Дренчеры для остекленных стен и фасадов
Pencere Duvar Tipi Su Perdese Nozülleri



P. 1.097

Protectospray D-3

Оросители типа Protectospray D-3
Protectospray D-3



P. 1.098

Protectospray EA-1

Оросители типа Protectospray EA-1
Protectospray EA-1



P. 1.099

High Velocity, Model HV

Высокой интенсивности, модель HV
Yüksek Yoğunluk, Model HV



P. 1.100

Mulsifyre, 800 Series

Оросители типа Mulsifyre, серия 800
Mulsifyre, 800 Serisi



P. 1.101

Open Nozzles for Cooling Towers, Type 1 & 2

Открытые оросители, предназначенные для охлаждения, тип 1 и 2
Soğutma Kuleleri için Açık Nozullar, Tip 1 ve 2



P. 1.102

Nozzles

R Оросители

T Nozullar

Exposure, Model A

Оросители для застекленных поверхностей, модель A
Düz Püskürtmeli Sprinklerler, Model A



P. 1.103

ISSUE A

Exposure, Model B

Оросители для застекленных поверхностей, модель B
Düz Püskürtmeli Sprinklerler, Model B



P. 1.103

ISSUE B

Foam Water Sprinklers, Pendent, B-1

Спринклеры для пенного раствора, розеткой вниз, B-1
Köpüklü Su Sprinklerleri, Aşağı Bakan, B-1



P. 1.104

B-1

Foam Water Sprinklers, Upright, B-1

Спринклеры для пенного раствора, розеткой вверх, B-1
Köpüklü Su Sprinklerleri, Yukarı Bakan, B-1



P. 1.104

B-1

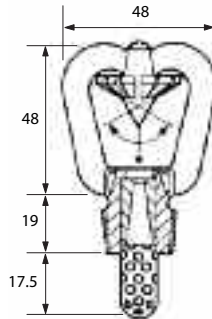
Nozzles, Medium Velocity, MV

R Оросители средней интенсивности, MV

T Nozullar, Orta Yoğunluklu, Kapalı MV



Kg 0.120 kg



* Nozzles with an orifice smaller than 9.5 mm include a filter.

* Оросители с отверстием менее 9,5 мм включают фильтр.

* 9,5 mm'den küçük orifisli nozullar bir filtreye sahiptir.

K-Factors		MV • 1/2" NPT											
		MV10	MV12	MV15	MV18	MV19	MV21	MV25	MV26	MV30	MV34	MV47	MV57
Ø	mm	5.10	5.40	6.30	6.80	7.10	7.70	8.30	8.80	9.00	9.60	11.2	12.60
	Inch	0.20	0.21	0.25	0.27	0.28	0.31	0.33	0.35	0.36	0.38	0.44	0.50
K	Metric	15.9	18.0	23.8	28.0	30.2	34.0	38.2	42.0	50.0	58.8	80.0	99.5
	USA	1.10	1.25	1.65	1.94	2.09	2.36	2.65	2.91	3.47	4.07	5.54	6.90

Min. 1.4 Bar [20 Psi]

Art. Nr.							LPCB	FM	UL	PAVUS	T/S/U
	90°	95°	110°	125°	140°	160°					
MV10	AED03829	AEA02524	AEA02533	AEA02542	AEA02551	AEA02560	√	√	√	√	
MV12	AED03838	AED03847	AED03856	AED03865	AED03874	AED03883	√	√	√	√	
MV15	AED03892	AEA02588	AEA02597	AEA02609	AEA02618	AEA02627	√	√	√	√	√
MV18	AED03904	AED03913	AED03922	AED03931	AED03940	AED03959	√	√	√	√	
MV19	AED03968	AEA02645	AEA02654	AEA02663	AEA02672	AEA02681	√	√	√	√	√
MV21	AED03977	AED03986	AED03995	AED04004	AED04013	AED04022	√	√	√	√	
MV25	AED04031	AEA02702	AEA02711	AEA02720	AEA02739	AEA02748	√	√	√	√	√
MV26	AED04040	AED04059	AED04068	AED04077	AED04086	AED04095	√	√	√	√	
MV30	AED04107	AED04116	AED04125	AED04134	AED04143	AED04152	√	√	√	√	
MV34	AED04161	AED00949	AED00958	AED00967	AED00976	AED00985	√	√	√	√	√
MV47	AED04170	AED01003	AED01012	AED01021	AED01030	AED01049	√	√	√	√	√
MV57	AED04189	AED01067	AED01076	AED01085	AED01094	AED01106	√	√	√	√	

Art. Nr.							PAVUS	T/S/U
	90°	95°	110°	125°	140°	160°		
MV10	AED07063	AED00024	AED00033	AED00042	AED00051	AED02560	√	
MV12	AED07612	AED07621	AED07630	AED07649	AED07658	AED07667	√	
MV15	AED07676	AED00088	AED00097	AED00109	AED00118	AED00127	√	√
MV18	AED07685	AED07694	AED07706	AED07715	AED07724	AED07733	√	
MV19	AED07742	AED00145	AED00154	AED00163	AED00172	AED00181	√	√
MV21	AED07760	AED07779	AED07788	AED07797	AED07809	AED07818	√	
MV25	AED07751	AED00202	AEA00211	AED00220	AEA00239	AEA00248	√	√
MV26	AED07827	AED07836	AED07845	AED07854	AED07863	AED07872	√	
MV30	AED07881	AED07890	AED07902	AED07911	AED07920	AED07939	√	
MV34	AED07948	AED01218	AED01227	AED01236	AED01245	AED01254	√	√
MV47	AED07957	AED01272	AED01281	AED01290	AED01302	AED01311	√	√
MV57	AED07966	AED01339	AED01348	AED01357	AED01366	AED01375	√	

* Nozzles can be coated or made in special material on request.

* Spray patterns are available on request.

* По запросу оросители могут быть изготовлены с покрытием или из специального материала.

* Эпюры орошения доступны по запросу.

* Nozullar istek üzerine özel bir malzemeden üretilebilir veya üzeri kaplanabilir.

* Farklı sprey şekilleri için bize danışabilirsiniz.

Nozzles, Medium Velocity, Sealed MV

R Оросители средней интенсивности, герметичные, MV

T Nozullar, Orta Yoğunluklu, Kapalı MV



SEALED MV

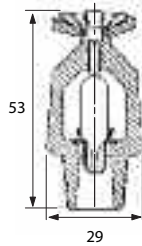


0.120 kg



Art. Nr. 560006387, W-Type 6

[P.1.116]



For the most up-to-date technical information visit us online or speak to your local Sales contact

Для получения актуальной технической информации посетите наш сайт или обратитесь к местному торговому представителю.

En güncel teknik bilgiler için web sitemizi ziyaret edin veya yerel Satış yetkiliniz ile görüşün

Art. Nr. . MV47 . K=80 [5.6] . 1/2" NPT . Bronze

T °C	90°	95°	110°	125°	140°	160°	IPCB
57	29396	28402	28408	28414	28420	28426	√
68	28397	28403	28409	28415	28421	28427	√
79	28398	28404	28410	28416	28422	28428	√
93	28399	28405	28411	28417	28423	28429	√
141	28400	28406	28412	28418	28424	28430	√
182	28401	28407	28413	28419	28425	28431	√

Min. 1.4 Bar [20 Psi]

Art. Nr. . MV34 . K=57 [4.0] . 10 mm BSPT . Bronze

T °C	90°	95°	110°	125°	140°	160°	IPCB
57	28432	28438	28444	28450	28456	28462	√
68	28433	28439	28445	28451	28457	28463	√
79	28434	28440	28446	28452	28458	28464	√
93	28435	28441	28447	28453	28459	28465	√
141	28436	28442	28448	28454	28460	28466	√
182	28437	28443	28449	28455	28461	28467	√

Min. 1.4 Bar [20 Psi]

* Nozzles can be coated or made in special material on request.

* Spray patterns are available on request.

* По запросу оросители могут быть изготовлены с покрытием или из специального материала.

* Эпюры орошения доступны по запросу.

* Nozullar istek üzerine özel bir malzemedен üretilebilir veya üzeri kaplanabilir.

* Farklı sprey şekilleri için bize danışabilirsiniz.

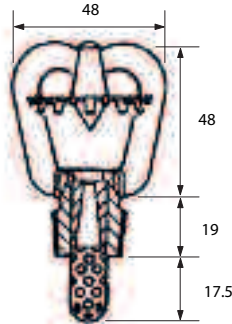
Nozzles, Medium Velocity, Type Tank Top and Reverse Acting MV

- R** Оросители средней интенсивности, устанавливаемые сверху резервуара и обратного действия
T Nozullar, Orta Yoğunluklu, Tank TavanTipi ve Retroaktif MV



MV-T

Kg 0.120 kg



For the most up-to-date technical information visit us online or speak to your local Sales contact

Для получения актуальной технической информации посетите наш сайт или обратитесь к местному торговому представителю.

En güncel teknik bilgiler için web sitemizi ziyaret edin veya yerel Satış yetkiliniz ile görüşün

1/2" NPT . Bronze . $\angle 125^\circ$			
Nozzle	MV-T	K	IPCВ
MV10	28285	15.9	✓
MV12	28281	18.0	✓
MV15	28282	23.8	✓
MV18	28283	28.0	✓
MV19	28286	30.2	✓
MV21	28287	34.0	✓
MV25	28288	38.2	✓
MV26	28289	42.0	✓
MV30	28290	50.0	✓
MV34	28291	58.8	✓
MV47	28292	80.0	✓
MV57	28293	99.5	✓

* Nozzles with an orifice size of 9.5 mm and under are fitted with a strainer.

* Оросители с отверстием 9,5 мм и менее устанавливаются с фильтром

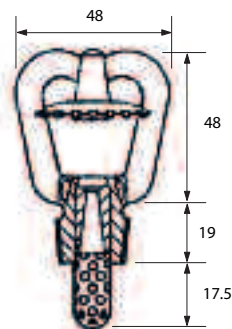
* 9,5 mm ve daha küçük orifisli nozullar bir filteye sahiptir.

Min. 1.4 Bar [20 Psi]



MV-R

Kg 0.120 kg



1/2" NPT . Bronze . $\angle 125^\circ$			
Nozzle	MV-R	K	IPCВ FM
MV10	28383	15.9	✓ ✓
MV12	28384	18.0	✓ ✓
MV15	28385	23.8	✓ ✓
MV18	28386	28.0	✓ ✓
MV19	28387	30.2	✓ ✓
MV21	28388	34.0	✓ ✓
MV25	28389	38.2	✓ ✓
MV26	28390	42.0	✓ ✓
MV30	28391	50.0	✓ ✓
MV34	28392	58.8	✓ ✓
MV47	28393	80.0	✓ ✓
MV57	28394	99.5	✓ ✓

* Nozzles can be coated or made in special material on request.
 * Spray patterns are available on request.

* По запросу оросители могут быть изготовлены с покрытием или из специального материала.
 * Эпюры орошения доступны по запросу.

* Nozullar istek üzerine özel bir malzemeden üretilebilir veya kaplanabilir.
 * Farklı sprej şekilleri için bize danışabilirsiniz.

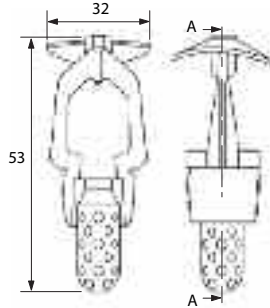
Min. 1.4 Bar [20 Psi]

Nozzles, Type A Drencher

- R** Оросители дренчерные, тип А
- T** Nozullar, Tip A Su Perdesi Nozulu



Kg 0.120 kg



For the most up-to-date technical information visit us online or speak to your local Sales contact

Для получения актуальной технической информации посетите наш сайт или обратитесь к местному торговому представителю.

En güncel teknik bilgiler için web sitemizi ziyaret edin veya yerel Satış yetkiliniz ile görüşün

TYPE A

1/2" NPT . Bronze				
T	Ø 6 mm	K	Ø 10 mm	K
-	28592	25	28593	43
57° C	28555	25	28560	43
68° C	27007	25	27008	43
79° C	28556	25	27038	43
93° C	28557	25	28561	43
141° C	28558	25	28562	43

Min. 1.4 Bar [20 Psi]

- * Nozzles can be coated or made in special material on request.
- * Spray patterns are available on request.

- * По запросу оросители могут быть изготовлены с покрытием или из специального материала.
- * Эпюры орошения доступны по запросу.

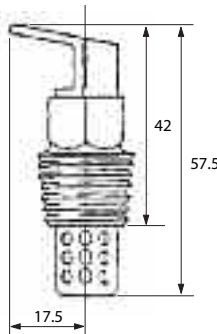
- * Nozullar istek üzerine özel bir malzemeden üretilebilir veya üzeri kaplanabilir.
- * Farklı sprej şekilleri için bize danışabilirsiniz.

Nozzles, Type Window Wall Drencher

- R** Оросители дренчерные для остекленных стен и фасадов
- T** Nozullar, Pencere Duvar Tipi Su Perdesi



Kg 0.120 kg



WINDOW

1/2" ISO . Bronze		
Art. Nr.	Nom. Ø mm	K
26438	6	24
26439	10	40.5

Min. 1.4 Bar [20 Psi]

- * Nozzles can be coated or made in special material on request.
- * Spray patterns are available on request.

- * По запросу оросители могут быть изготовлены с покрытием или из специального материала.
- * Эпюры орошения доступны по запросу.

- * Nozullar istek üzerine özel bir malzemeden üretilebilir veya üzeri kaplanabilir.
- * Farklı sprej şekilleri için bize danışabilirsiniz.

Nozzles, Protectospray D-3

R Оросители типа Protectospray D-3

T Nozullar, Protecto Sprey D-3



D-3



TFP802

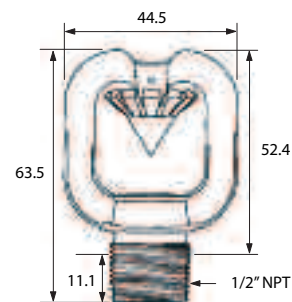


0.120 kg



[P.1.116]

Art. Nr. 564521001, W-Type 11



D-3 • 1/2" NPT • H=63.5 mm [2-1/2"]

Nozzle	Ø mm	K	FM	UL
No. 16	5.16	17.3 [1.2]	✓	✓
No. 18	6.35	25.9 [1.8]	✓	✓
No. 21	7.14	33.1 [2.3]	✓	✓
No. 24	8.33	43.2 [3.0]	✓	✓
No. 28	9.53	59.0 [4.1]	✓	✓
No. 32	11.13	80.6 [5.6]	✓	✓
No. 34	12.70	103.7 [7.2]	✓	✓

For the most up-to-date technical information visit us online or speak to your local Sales contact

Для получения актуальной технической информации посетите наш сайт или обратитесь к местному торговому представителю.

En güncel teknik bilgiler için web sitemizi ziyaret edin veya yerel Satış yetkiliniz ile görüşün

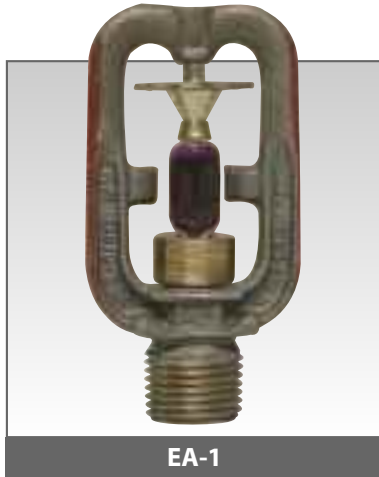
ART. NR. 49 - 3XX - X - XXX

Ø		Finish & Material / Отделка и материал / Kaplama ve Malzeme		∠	
16	No.206" [1/2" NPT]	1	Plain Brass / Латунь / Düz Pirinç	065	65°
18	No.250" [1/2" NPT]	7	Leaded Coated Brass / Латунь со свинцовым покрытием / Kurşun Kaplı Pirinç	080	80°
21	No.281" [1/2" NPT]	4	Teflon Coated Brass / Латунь с тефлоновым покрытием / Teflon Kaplı Pirinç	095	95°
24	No.328" [1/2" NPT]	9	Chrome Plated Brass / Хромирование / Krom Plakalı Pirinç	110	110°
28	No.375" [1/2" NPT]	0	Plain Stainless Steel [1/2" NPT only] / Нержавеющая сталь [только 1/2 дюйма NPT] / Düz Paslanmaz Çelik [yalnızca 1/2" NPT]	125	125°
32	No.438" [1/2" NPT]			140	140°
34	No.500" [1/2" NPT]			160	160°
				180	180°

Nozzles, Protectospray EA-1

R Оросители Protectospray EA-1

T Nozullar, Protecto Sprey EA-1



EA-1



TFP800

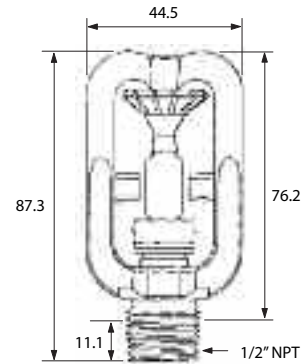


0.120 kg



[P.1.116]

Art. Nr. 564521001, Model W-Type 11



EA-1 • 1/2" NPT • H=87.3 mm [3-7/16"]

Nozzle	Ø mm ["]	K	FM	UL
No. 7	6 [1/4]	20.2 [1.4]	✓	✓
No. 8	10 [3/8]	40.3 [2.8]	✓	✓
No. 9	15 [1/2]	80.6 [5.6]	✓	✓

ART. NR. 49 - XXX - X - XXX

Ø		∠		Finish & Material / Отделка и материал / Kaplama ve Malzeme		°C [F]	
7	1/4" [1/2" NPT]	65	65°	1	Plain Brass / Латунь / Düz Pirinç	135	57 [135]
8	3/8" [1/2" NPT]	80	80°	7	Leaded Coated / Со свинцовым покрытием / Kurşun Kaplı	175	79 [175]
9	1/2" [1/2" NPT]	95	95°	9	Chrome Plated / Хромирование / Krom Plakalı	250	121 [250]
		10	110°	6	Wax Coated Bronze [1/2" NPT only] / Бронза с лаковым покрытием [только 1/2 дюйма NPT] / Balmumu Kaplı Bronz [yalnızca 1/2" NPT]	325	163 [325]
		25	125°			400*	204 [400]
		40	140°			500*	260 [500]
		60	160°				
		81	180°				

*Available in plainbrass / Доступен вариант, полностью выполненный из латуни / Düz pirinç olarak da mevcuttur

For the most up-to-date technical information visit us online or speak to your local Sales contact

Для получения актуальной технической информации посетите наш сайт или обратитесь к местному торговому представителю.

En güncel teknik bilgiler için web sitemizi ziyaret edin veya yerel Satış yetkiliniz ile görüşün

Nozzles, High Velocity, Model HV

R Оросители высокой интенсивности, модель HV

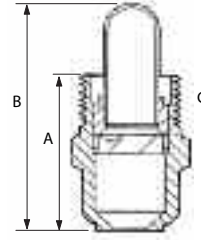
T Nozullar, Yüksek Yoğunluk, Model HV



TFP815



0.120 kg



HV

Type	Art. Nr. Bronze Бронза Bronz	G BSPT	K	A	B	LPCB	FM	UL
HV14	PBP55062	1"	23.0 [1.6]	47.6	71.0	√	√	√
HV17	PBP55071	1"	26.0 [1.8]	47.6	72.0	√	√	√
HV26	PBP55080	1"	40.3 [2.9]	47.6	71.5	√	√	√
HV37	PBP55099	1"	66.2 [4.3]	51.6	75.2	√	√	√
HV45	PBP55101	1"	79.2 [5.5]	51.6	75.6	√	√	√
HV60	AEC00236	1.1/4"	92.2 [6.0]	86.5	15.5	√	√	√

Type	Art. Nr. Stainless Steel 316 Нержавеющая сталь 316 Paslanmaz Çelik 316	G BSPT	K	A	B	LPCB	FM	UL
HV14	AEC00012	1"	23.0 [1.6]	47.6	71.0	√	√	√
HV17	AEC00021	1"	26.0 [1.8]	47.6	72.0	√	√	√
HV26	AEC00030	1"	40.3 [2.9]	47.6	71.5	√	√	√
HV37	AEC00049	1"	66.2 [4.3]	51.6	75.2	√	√	√
HV45	AEC00058	1"	79.2 [5.5]	51.6	75.6	√	√	√
HV60	AEC00263	1.1/4"	92.2 [6.0]	86.5	15.5	√	√	√

* Nozzles can be coated or made in special material on request.

* Spray patterns are available on request.

* По запросу оросители могут быть изготовлены с покрытием или из специального материала.

* Эпюры орошения доступны по запросу.

* Nozullar istek üzerine özel bir malzemeden üretilebilir veya üzeri kaplanabilir.

* Farklı sprey şekilleri için bize danışabilirsiniz.

For the most up-to-date technical information visit us online or speak to your local Sales contact

Для получения актуальной технической информации посетите наш сайт или обратитесь к местному торговому представителю.

En güncel teknik bilgiler için web sitemizi ziyaret edin veya yerel Satış yetkiliniz ile görüşün

Nozzles, Mulsifyre, 800 Series

R Оросители типа Mulsifyre, серия 800

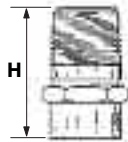
T Nozullar, Mulsifyre, 800 Serisi



TFP810

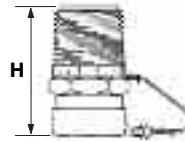


0.120 kg



Type 1

Without Blow-Off Cap/
Без крышки выпуска воздуха/
Koruma kapaksız



Type 2

With Dust Cap/
С крышкой защиты от пыли/
Toz Koruma Başlığı ile birlikte

Type 1 • 3/4" NPT

Art. Nr.	Model	K	F	H mm ["]	FM	UL
498001822	F822	28.8 [2.0]	1	42 [1-5/8]	√	√
498001824	F824	33.1 [2.3]	1	42 [1-5/8]	√	√
498001826	F826	38.9 [2.7]	1	42 [1-5/8]	√	√
498001828	F828	37.4 [2.6]	1	43 [1-11/16]	√	√
498001832	F832	66.2 [4.6]	1	47 [1-13/16]	√	√
498001834	F834	73.4 [5.1]	1	70 [1-3/4]	√	√

Type 2 • 3/4" NPT

Art. Nr.	Model	K	F	H mm ["]	FM	UL
498011822	F822	28.8 [2.0]	1	42 [1-5/8]	√	√
498011824	F824	33.1 [2.3]	1	42 [1-5/8]	√	√
498011826	F826	38.9 [2.7]	1	42 [1-5/8]	√	√
498011828	F828	37.4 [2.6]	1	43 [1-11/16]	√	√
498011832	F832	66.2 [4.6]	1	47 [1-13/16]	√	√
498011834	F834	73.4 [5.1]	1	70 [1-3/4]	√	√

For the most up-to-date technical information visit us online or speak to your local Sales contact

Для получения актуальной технической информации посетите наш сайт или обратитесь к местному торговому представителю.

En güncel teknik bilgiler için web sitemizi ziyaret edin veya yerel Satış yetkiliniz ile görüşün

Nozzles, Open Nozzles for Cooling Towers, Type 1 & 2

- Оросители и открытые росители, предназначенные для охлаждения, тип 1 и 2
● Nozzullar, Soğutma Kuleleri için Açık Nozzullar, Tip 1 ve 2



TFP830

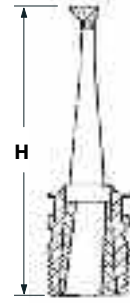


0.120 kg



[P.1.116]

Art. Nr. 564521001, Model W-Type 11



TYPE 1 & 2

K=41.8 [2.9] • 3/4" NPT • H=76.2 mm [3"]

Art. Nr.	Type	F	☑
500811000	1	1	✓
500821001	2	1	✓

For the most up-to-date technical information visit us online or speak to your local Sales contact

Для получения актуальной технической информации посетите наш сайт или обратитесь к местному торговому представителю.

En güncel teknik bilgiler için web sitemizi ziyaret edin veya yerel Satış yetkiliniz ile görüşün

Nozzles, Exposure, Model A & B

R Оросители для застекленных поверхностей, модель А и В

T Nozullar, Düz Püskürtmeli eç Sprinklerler, Model A ve B



ISSUE A



TFP835



0.120 kg



1/2" NPT • H=42.9 mm [1-11/16"]					
Art. Nr.	Ø	K	F	UL	FM
492001001	1/4"	26 [1-6/7]	1	√	√
492009001	1/4"	26 [1-6/7]	9	√	√
492001002	5/16"	37 [2-5/8]	1	√	√
492009002	5/16"	37 [2-5/8]	9	√	√
492001003	3/8"	58 [4-1/12]	1	√	√
492009003	3/8"	58 [4-1/12]	9	√	√



ISSUE B



TFP835



0.120 kg



3/4" NPT • H=60.3 mm [2-3/8"]				
Art. Nr.	Ø	K	F	UL
492011004	1/2"	82 [5-3/4]	1	√
492017004	1/2"	82 [5-3/4]	9	√
492011005	5/8"	123 [8-3/5]	1	√
492017005	5/8"	123 [8-3/5]	9	√
492011006	3/4"	177 [12-3/7]	1	√
492014006	3/4"	177 [12-3/7]	9	√

For the most up-to-date technical information visit us online or speak to your local Sales contact

Для получения актуальной технической информации посетите наш сайт или обратитесь к местному торговому представителю.

En güncel teknik bilgiler için web sitemizi ziyaret edin veya yerel Satış yetkiliniz ile görüşün

Nozzles, Foam Water Sprinklers, B-1

- R** Оросители, спринклеры для пенного раствора, B-1
- T** Nozullar, Köpüklü Su Sprinklerleri, B-1



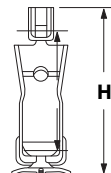
B1



TFP840



0.550 kg



For the most up-to-date technical information visit us online or speak to your local Sales contact

Для получения актуальной технической информации посетите наш сайт или обратитесь к местному торговому представителю.

En güncel teknik bilgiler için web sitemizi ziyaret edin veya yerel Satış yetkiliniz ile görüşün

K=40 [3.0] • 1/2" NPT • H=148 mm [5-13/16"]

Art. Nr. Pendent Розеткой вниз Aşağı Bakan	F	UL
492111001	1	√
F72535	1	

K=20 [1.4] • 1/2" NPT • H=148 mm [5-13/16"]

Art. Nr. Pendent Розеткой вниз Aşağı Bakan	F
F72536	1

K=80 [5.6] • 1/2" NPT • H=148 mm [5-13/16"]

Art. Nr. Pendent Розеткой вниз Aşağı Bakan	F
100274	1



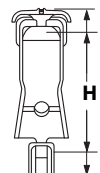
B1



TFP840



0.550 kg



K=40 [3.0] • 1/2" NPT • H=148 mm [5-13/16"]

Art. Nr. Upright Розеткой вверх Yukarı Bakan	F	UL
492101001	1	√

Sprinkler Accessories

R Принадлежности для спринклеров

T Sprinkler Aksesuarları

Recessed Escutcheons

Подрозетники для утопленных спринклеров
Gömme Rozetler



STYLE 10, 15, 20, 30, & 40

P. 1.107

Recessed Escutcheons, Style 50

Подрозетники для утопленных спринклеров, тип 50
Gömme Rozetler, Stil 50



STYLE 50

P. 1.108

Recessed Escutcheons, Style 60

Подрозетники для утопленных спринклеров, тип 60
Gömme Rozetler, Stil 60



STYLE 60

P. 1.108

Recessed Two Piece Escutcheon

Утопленные подрозетники из двух деталей
Gömme İki Parçalı Rozet



ROSCAR

P. 1.108

One Piece Escutcheons

Цельные подрозетники
Tek Parçalı Rozetler



ONE PIECE

P. 1.109

Hinged Escutcheons

Подрозетники с шарнирами
Hareketli Rozetler



HINGED

P. 1.109

One Piece Escutcheon

Цельный подрозетник
Tek Parçalı Rozet



STYLE 65

P. 1.110

Two Piece Escutcheon

Подрозетник из двух деталей
İki Parçalı Rozet



STYLE 401

P. 1.110

Sprinkler Head Cabinets

Шкафы для спринклерных головок
Yedek Sprinkler Kabini



CABINET

P. 1.111

Sprinkler Guards, Pendent

Защита для спринклеров розеткой вниз
Sprinkler Koruma Kafesi, Aşağı Bakan



G1 & G4

P. 1.112

Sprinkler Guards, Upright

Защита для спринклеров розеткой вверх
Sprinkler Koruma Kafesi Yukarı Bakan



G1/S1&G4/S4

P. 1.112

Sprinkler Accessories

R Принадлежности для спринклеров

T Sprinkler Aksesuarları

Sprinkler Guards, Pendent

Защита для спринклеров розеткой вверх
Sprinkler Koruma Kafesi, Aşağı Bakan



G2

P. 1.113

Sprinkler Guards, Upright

Защита для спринклеров розеткой вверх
Sprinkler Koruma Kafesi, Yukarı Bakan



WSG2

P. 1.113

Sprinkler Guards, Pendent

Защита для спринклеров розеткой вниз
Sprinkler Koruma Kafesi, Aşağı Bakan



TYPE 011

P. 1.114

Sprinkler Guards, Pendent

Защита для спринклеров розеткой вниз
Sprinkler Koruma Kafesi, Aşağı Bakan



GUARD 2-SCREW

P. 1.114

Sprinkler Guards, Upright

Защита для спринклеров розеткой вверх
Sprinkler Koruma Kafesi, Yukarı Bakan



GUARD 2-SCREW

P. 1.114

Sprinkler Guards, Pendent

Защита для спринклеров розеткой вниз
Sprinkler Koruma Kafesi, Aşağı Bakan



MODEL GU

P. 1.115

Sprinkler Guards, Upright

Защита для спринклеров розеткой вверх
Sprinkler Koruma Kafesi, Yukarı Bakan



MODEL GU

P. 1.115

Sprinkler Wrenches

Ключи для спринклеров
Sprinkler Anahtarları



P. 1.116

Sprinkler Accessories, Recessed Escutcheons, Style 10, 15, 20, 30, & 40

R Принадлежности для спринклеров, утопленные подрозетники, тип 10, 15, 20, 30 и 40

T Sprinkler Aksesuarları, Gömme Rozetler, Stil 10, 15, 20, 30 ve 40



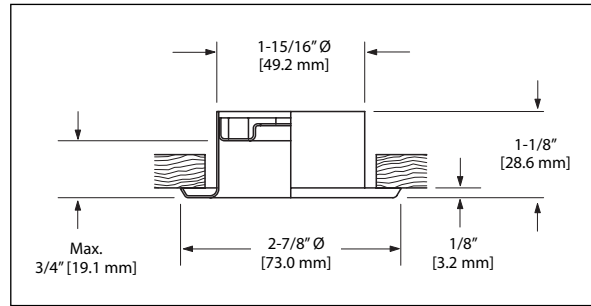
STYLE 10, 15, 20, 30, & 40



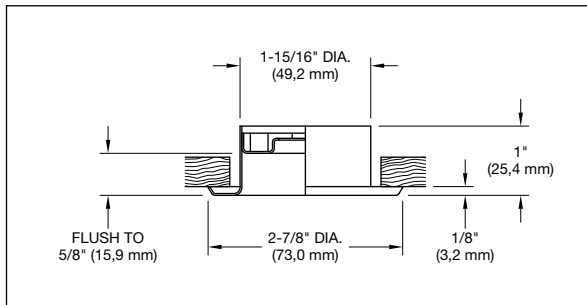
TFP 770



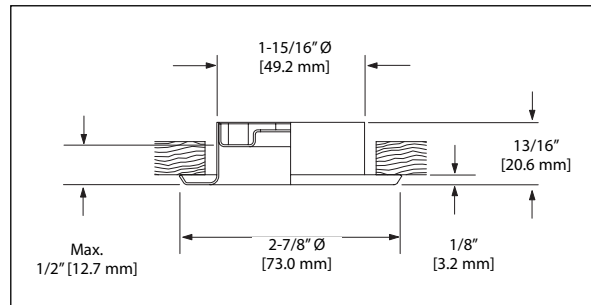
0.035 kg



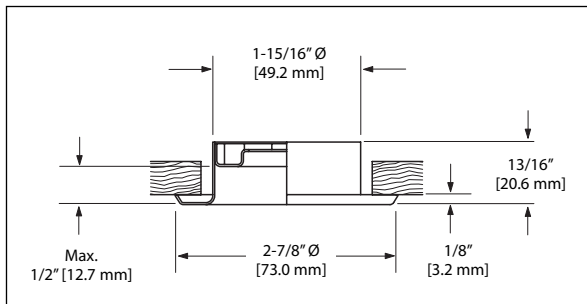
Style 10 • 1/2" NPT 19 mm [3/4"] Adjustment / Регулировка / Ayarlama				
Art. Nr.	F	LPCB	FM	UL
567019010	9	✓	✓	✓
567013010	3	✓	✓	✓
567014010	4	✓	✓	✓
567012010	1	✓	✓	✓



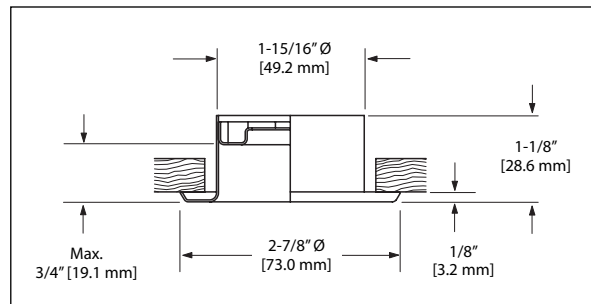
Style 15 • 1/2" NPT 15.9 mm [5/8"] Adjustment / Регулировка / Ayarlama				
Art. Nr.	F	FM	LPCB	UL
567159010	9	✓	✓	✓
567156010	6 (RAL 9005, Jet Black)	✓	✓	✓
567154010	4	✓	✓	✓
567153010	3	✓	✓	✓
567152010	2 (Brass plated)	✓	✓	✓
567150010	0	✓	✓	✓



Style 20 • 1/2" NPT 12.7 mm [1/2"] Adjustment / Регулировка / Ayarlama				
Art. Nr.	F	FM	LPCB	UL
567059010	9	✓	✓	✓
567053010	3	✓	✓	✓
567054010	4	✓	✓	✓
567052010	1	✓	✓	✓



Style 30 • 3/4" NPT 12.7 mm [1/2"] Adjustment / Регулировка / Ayarlama				
Art. Nr.	F	FM	LPCB	UL
567059011	9	✓	✓	✓
567053011	3	✓	✓	✓
567054011	4	✓	✓	✓
567052011	1	✓	✓	✓



Style 40 • 3/4" NPT 19 mm [3/4"] Adjustment / Регулировка / Ayarlama				
Art. Nr.	F	LPCB	FM	UL
567009010	9	✓	✓	✓
567003010	3	✓	✓	✓
567004010	4	✓	✓	✓
567002010	1	✓	✓	✓

***Approval valid in combination with sprinkler model**

*Сертификация действительна в сочетании с моделью спринклера

*Onay sprinkler modeli ile birlikte geçerlidir

Sprinkler Accessories, Recessed Escutcheons, Style 50

- R** Принадлежности для спринклеров, утопленные подрозетники, тип 50
- T** Sprinkler Aksesuarları, Gömme Rozetler, Stil 50



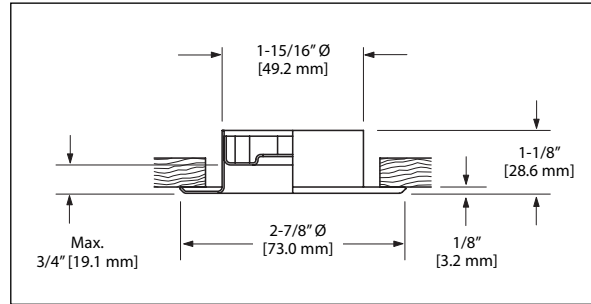
STYLE 50



TFP 770



0.035 kg



Style 50 • 1/2" NPT
9.5 mm [3/8"] Adjustment / Регулировка / Ayarlama

Art. Nr.	F	FM	UL
567119010	9	✓	✓
567113010	3	✓	✓
567114010	4	✓	✓
567111010	1	✓	✓

Sprinkler Accessories, Recessed Escutcheons, Style 60

- R** Принадлежности для спринклеров, утопленные подрозетники, тип 60
- T** Sprinkler Aksesuarları, Gömme Rozetler, Stil 60



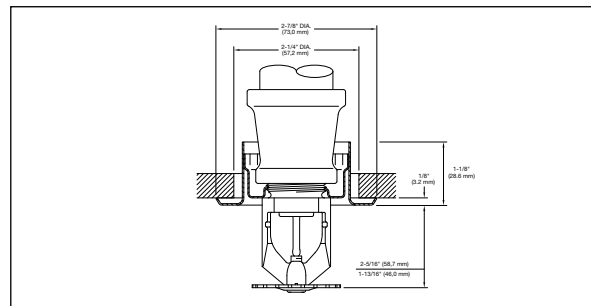
STYLE 60



TFP 778



0.08 kg



Style 60 • 3/4" NPT
19 mm [3/4"] Adjustment / Регулировка / Ayarlama

Art. Nr.	F	FM	UL
208107	1	✓	✓
208104	3	✓	✓
208102	9	✓	✓

Sprinkler Accessories, Two Piece Escutcheon

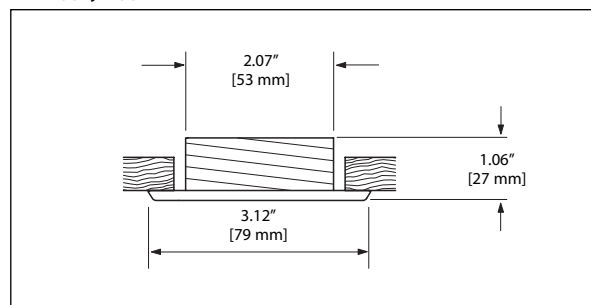
- R** Принадлежности для спринклеров, подрозетники из двух деталей
- T** Sprinkler Aksesuarları, İki Parçalı Rozetler



ROSCAR



0.04 kg



ROSCAR • 1/2" NPT
19 mm [3/4"] Adjustment / Регулировка / Ayarlama

Art. Nr.	F
ROSCAR	3

Sprinkler Accessories, One Piece Escutcheons

- R** Принадлежности для спринклеров, цельные подрозетники
- T** Sprinkler Aksesuarları, Tek Parçalı Rozetler

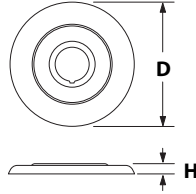


ONE PIECE

Kg 0.025 kg

Style 65

Style 401 Escutcheons



For the most up-to-date technical information visit us online or speak to your local Sales contact

Для получения актуальной технической информации посетите наш сайт или обратитесь к местному торговому представителю.

En güncel teknik bilgiler için web sitemizi ziyaret edin veya yerel Satış yetkiliniz ile görüşün

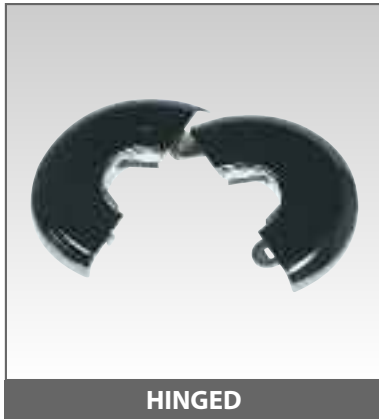
Without Thread/Без резьбы/Dışız				
Art. Nr.	F	Ø	D mm	H mm
ESCSTDCH10	9	3/8"	75	5
ESCSTDRA10	3	3/8"	75	5
ESCSTDWH10	4	3/8"	75	5
ESCSTDSS10	0	3/8"	75	5
ESCSTDCH15	9	1/2"	75	5
ESCSTDRA15	3	1/2"	75	5
ESCSTDWH15	4	1/2"	75	5
ESCSTDSS15	0	1/2"	75	5
ESCSTDCH20	9	3/4"	75	5
ESCSTDRA20	3	3/4"	75	5
ESCSTDWH20	4	3/4"	75	5
ESCSTDSS20	0	3/4"	75	5

With Thread/C резьбой//Dişli				
Art. Nr.	F	Ø	D mm	H mm
ESCCH15T	9	1/2"	75	5
ESCRA15T	3	1/2"	75	5
ESCWH15T	4	1/2"	75	5
ESCSS15T	0	1/2"	75	5
ESCCH20T	9	3/4"	75	5
ESCRA20T	3	3/4"	75	5
ESCWH20T	4	3/4"	75	5
ESCSS20T	0	3/4"	75	5

F=0 Stainless Steel 304

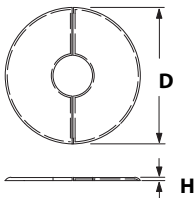
Sprinkler Accessories, Hinged Escutcheons

- R** Принадлежности для спринклеров, шарнирные подрозетники
- T** Sprinkler Aksesuarları, Hareketli Rozetler



HINGED

Kg 0.025 kg



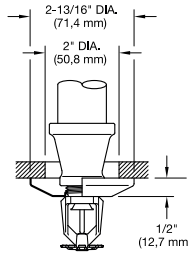
Art. Nr.	F	Ø	D	H mm
ESCHINCH15	9	1/2"	70	8
ESCHINCH20	9	3/4"	73	8
ESCHINCH25	9	1"	86	8
ESCHINCH32	9	1-1/4"	92	8
ESCHINCH40	9	1-1/2"	98	8
ESCHINCH50	9	2"	112	8

Sprinkler Accessories, One Piece Escutcheon

- Ⓡ Принадлежности для спринклеров, цельный подрозетник
- Ⓣ Sprinkler Aksesuarları, Tek Parçalı Rozet



STYLE 65



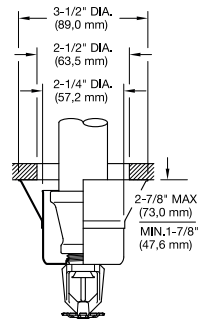
Art. Nr.	F	Ø	D mm	H mm
1150	1	1/2"	71.4	12.7
1174	3	1/2"	71.4	12.7
1153	9	1/2"	71.4	12.7
1184	1	3/4"	71.4	12.7
1175	3	3/4"	71.4	12.7
1152	9	3/4"	71.4	12.7

Sprinkler Accessories, Two Piece Escutcheon

- Ⓡ Принадлежности для спринклеров, Подрозетник из двух деталей
- Ⓣ Sprinkler Aksesuarları, İki Parçalı Rozetler



STYLE 401



Art. Nr. Cup	F	Ø	D mm	H mm
1194	1	1/2"	57.2	47.6 - 73
1196	3	1/2"	57.2	47.6 - 73
1192	9	1/2"	57.2	47.6 - 73
1195	1	3/4"	57.2	47.6 - 73
1197	3	3/4"	57.2	47.6 - 73
1193	9	3/4"	57.2	47.6 - 73

Art. Nr. Skirt	F	Ø	D mm	H mm
1199	1	-	89	47.6 - 73
1200	3	-	89	47.6 - 73
1198	9	-	89	47.6 - 73

The Cup and Skirt are ordered separately for the Style 401 Escutcheon
Height is adjustable. Minimal 47.6 - Maximal 73

For the most up-to-date technical information visit us online or speak to your local Sales contact

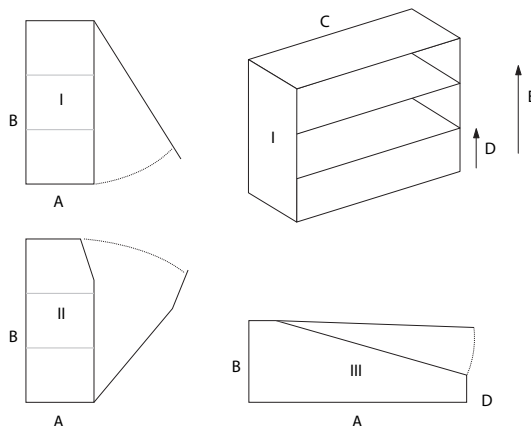
Для получения актуальной технической информации посетите наш сайт или обратитесь к местному торговому представителю.

En güncel teknik bilgiler için web sitemizi ziyaret edin veya yerel Satış yetkiliniz ile görüşün

Sprinkler Accessories, Sprinkler Head Cabinets

R Принадлежности для спринклеров, шкафы для спринклерных головок

T Sprinkler Aksesuarları, Sprinkler Başlığı Dolapları



Art. Nr.	Sprinkler		Model	A mm	B mm	C mm	D mm	E mm	Kg	Finish Отделка Kaplama
	Capacity Вместительность Kapasite	Connection Тип соединения Bağlantı								
0240036	36	1/2", 3/4"	I	103	306	358	90	-	2.9	Red/Красный цвет/Kırmızı
SP50001	50	*	III	320	150	470	50	-	7.0	Red/Красный цвет/Kırmızı
0240012	12	1/2", 3/4"	I	103	132	363	45	-	1.4	Red/Красный цвет/Kırmızı
0240006	6	1/2", 3/4"	I	64	130	355	42	126	1.0	Red/Красный цвет/Kırmızı
0240306	6	3/4", 1***	I	80	160	357	46	-	1.4	Red/Красный цвет/Kırmızı
0240024	24	1/2", 3/4"	I	103	275	300	90	-	2,3,	Red/Красный цвет/Kırmızı

- * **Non perforated shelf**
- * Полка без перфорации
- * Deliksiz raf

For the most up-to-date technical information visit us online or speak to your local Sales contact

Для получения актуальной технической информации посетите наш сайт или обратитесь к местному торговому представителю.

En güncel teknik bilgiler için web sitemizi ziyaret edin veya yerel Satış yetkiliniz ile görüşün

Sprinkler Accessories, Sprinkler Guards

- R** Принадлежности для спринклеров, защита для спринклеров
- T** Sprinkler Aksesuarları, Sprinkler Koruma Kafesleri



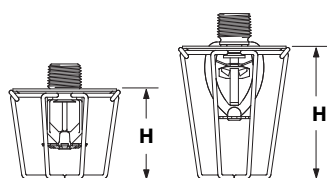
G1 & G4



TFP 780



0.08 kg



For the most up-to-date technical information visit us online or speak to your local Sales contact

Для получения актуальной технической информации посетите наш сайт или обратитесь к местному торговому представителю.

En güncel teknik bilgiler için web sitemizi ziyaret edin veya yerel Satış yetkiliniz ile görüşün

G1 • TY-B & TY-FRB • 1/2" NPT & 3/4" NPT

Art. Nr. Pendent Розеткой вниз Aşağı Bakan	Finish Отделка Kaplama	H mm ["]	FM	UL
569381001	Red/Красный цвет/Kırmızı	58.7 [2-5/16]	✓	✓
569389001	Zinc Chromate/Хромат цинка/Çinko Krom	58.7 [2-5/16]	✓	✓

G4 • TY-L & TY-FRL • 1/2" NPT & 3/4" NPT

Art. Nr. Pendent Розеткой вниз Aşağı Bakan	Finish Отделка Kaplama	H mm ["]	FM	UL
569371001	Red/Красный цвет/Kırmızı	87.3 [3-7/16]	✓	✓
569379001	Zinc Chromate/Хромат цинка/Çinko Krom	87.3 [3-7/16]	✓	✓



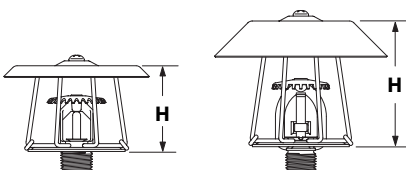
G1/S1 & G4/S4



TFP 780



0.120 kg



G1/S1 • TY-B & TY-FRB • 1/2" NPT & 3/4" NPT

Art. Nr. Upright Розеткой вверх Yukarı Bakan	Finish Отделка Kaplama	H mm ["]	Ø mm ["]	UL
569381066	Red/Красный цвет/Kırmızı	60.3 [2-3/8]	101.6 [4]	✓
569389066	Zinc Chromate/Хромат цинка/Çinko Krom	60.3 [2-3/8]	101.6 [4]	✓

G4/S4 • TY-L & TY-FRL • 1/2" NPT & 3/4" NPT

Art. Nr. Upright Розеткой вверх Yukarı Bakan	Finish Отделка Kaplama	H mm ["]	Ø mm ["]	UL
569371066	Red/Красный цвет/Kırmızı	88.9 [3-1/2]	120.7 [4-3/4]	✓
569379066	Zinc Chromate/Хромат цинка/Çinko Krom	88.9 [3-1/2]	120.7 [4-3/4]	✓

Sprinkler Accessories, Sprinkler Guards

- R** Принадлежности для спринклеров, защита для спринклеров
- T** Sprinkler Aksesuarları, Sprinkler Koruma Kafesleri



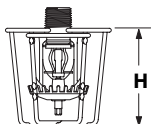
G2



TFP 782



0.08 kg



For the most up-to-date technical information visit us online or speak to your local Sales contact

Для получения актуальной технической информации посетите наш сайт или обратитесь к местному торговому представителю.

En güncel teknik bilgiler için web sitemizi ziyaret edin veya yerel Satış yetkiliniz ile görüşün

G2 • ELO-231 - ELO-231B & ELO-231FRB • 1/2" NPT & 3/4" NPT

Art. Nr. Pendent Розеткой вниз Aşağı Bakan	Finish Отделка Kaplama	H mm ["]	FM	UL
560001087	Red/Красный цвет/Kırmızı	76.2 [3]	✓	✓
560001086	Zinc Chromate/Хромат цинка/Çinko Krom	76.2 [3]	✓	✓



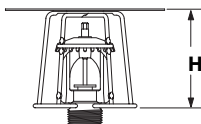
WSG-2



TFP 782



0.200 kg



WSG-2 • ELO-231 - ELO-231B & ELO-231FRB • 1/2" NPT & 3/4" NPT

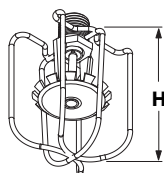
Art. Nr. Upright Розеткой вверх Yukarı Bakan	Finish Отделка Kaplama	H mm ["]	Ø mm ["]	UL
560001098	Red/Красный цвет/Kırmızı	79.4 [3-1/8]	127 [5]	✓
560001097	Zinc Chromate/Хромат цинка/Çinko Krom	79.4 [3-1/8]	127 [5]	✓

Sprinkler Accessories, Sprinkler Guards

- R** Принадлежности для спринклеров, защита для спринклеров
- T** Sprinkler Aksesuarları, Sprinkler Koruma Kafesleri



Kg 0.08 kg



TYPE 011

Type 011 • TY-B & TY-FRB • 1/2" NPT & 3/4" NPT

Art. Nr. Pendent Розеткой вниз Aşağı Bakan	Finish Отделка Kaplama	H mm ["]
0110000	Red/Красный цвет/Кırmızı	85 [3-1/3]
0110100	Zinc Chromate/Хромат цинка/Çinko Krom	85 [3-1/3]

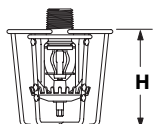
For the most up-to-date technical information visit us online or speak to your local Sales contact

Для получения актуальной технической информации посетите наш сайт или обратитесь к местному торговому представителю.

En güncel teknik bilgiler için web sitemizi ziyaret edin veya yerel Satış yetkiliniz ile görüşün



Kg 0.08 kg



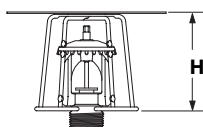
GUARD 2-SCREW

TY-B & TY-FRB • 1/2" NPT & 3/4" NPT

Art. Nr. Pendent Розеткой вниз Aşağı Bakan	Finish Отделка Kaplama	H mm ["]
55	Zinc Chromate/Хромат цинка/Çinko Krom	55 [2-1/6]
77	Zinc Chromate/Хромат цинка/Çinko Krom	77 [3]



Kg 0.15 kg



GUARD 2-SCREW

TY-B & TY-FRB • 1/2" NPT & 3/4" NPT

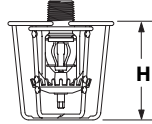
Art. Nr. Upright Розеткой вверх Yukarı Bakan	Finish Отделка Kaplama	Ø mm ["]	H mm ["]
55-B-160	Zinc Chromate/Хромат цинка/Çinko Krom	160 [6.1/3]	55 [2-1/6]
77-B-150	Zinc Chromate/Хромат цинка/Çinko Krom	150 [6]	77 [3]

Sprinkler Accessories, Sprinkler Guards

- R** Принадлежности для спринклеров, защита для спринклеров
- T** Sprinkler Aksesuarları, Sprinkler Koruma Kafesleri



Kg 0.08 kg



GU

For the most up-to-date technical information visit us online or speak to your local Sales contact

Для получения актуальной технической информации посетите наш сайт или обратитесь к местному торговому представителю.

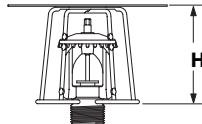
En güncel teknik bilgiler için web sitemizi ziyaret edin veya yerel Satış yetkiliniz ile görüşün

Type GU • TY-B & TY-FRB • 1/2" NPT & 3/4" NPT

Art. Nr. Pendent Розеткой вниз Аşağı Bakan	Finish Отделка Kaplama	H mm ["]
GUMC	Zinc Chromate/Zinkchrom/Çinko Krom	55 [2-1/6]



Kg 0.15 kg



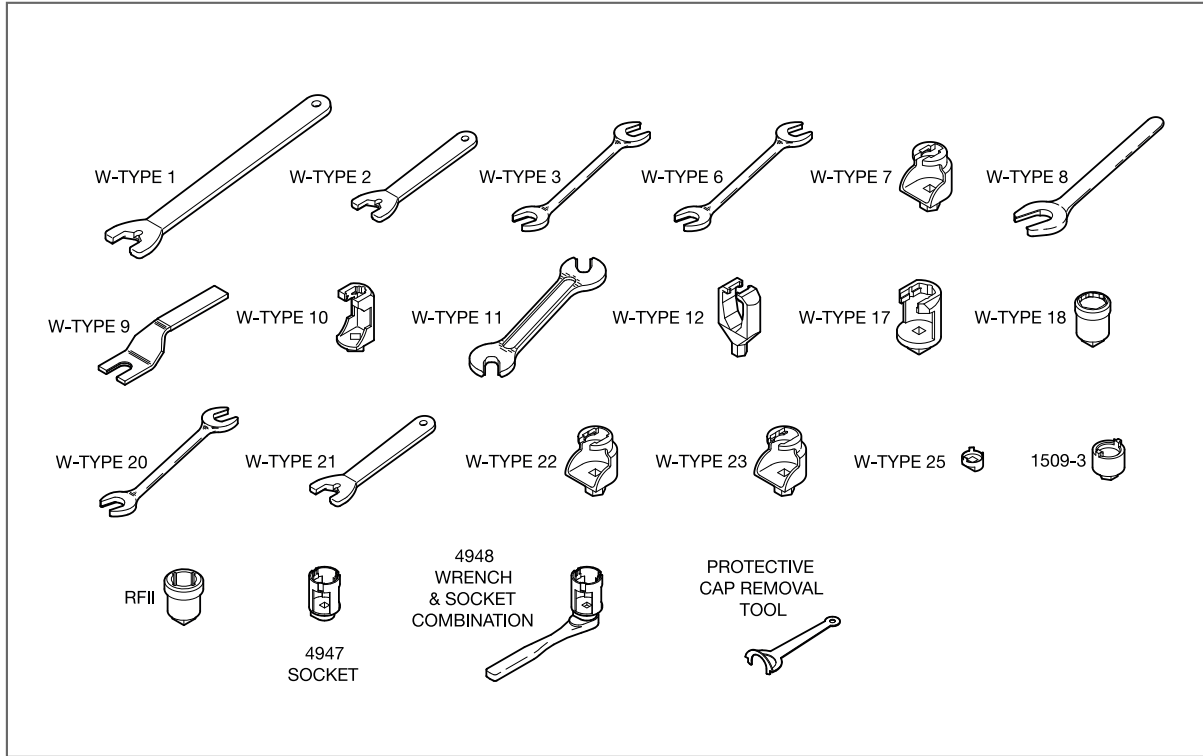
GU

Type GU • TY-B & TY-FRB • 1/2" NPT & 3/4" NPT

Art. Nr. Upright Розеткой вверх Yukarı Bakan	Finish Отделка Kaplama	Ø mm ["]	H mm ["]
GUWSU	Zinc Chromate/Zinkchrom/Çinko Kromat	93 [3.7]	55 [2-1/6]

Sprinkler Accessories, Sprinkler Wrenches

- R** Принадлежности для спринклеров, ключи для спринклеров
- T** Sprinkler Aksesuarları, Sprinkler Anahtarları



Art. Nr.	Wrench Type Тип ключа Anahtar Türü	Sprinkler Model
568721025	W-Type 1 Wrench	Model EC-25, Model ESFR-25
568721001	W-Type 2 Wrench	Model ESFR-1
568951001	W-Type 3 Wrench	Model BLVQ-QR, Series EC-14, Series EC-11, Model ELO SW-20 ECOH, Model ELO SW-24 ECOH, Model BV-20 QR, Model ELO-231 & ELO-231B, Model ELO-231 FRB, Model LD (Large Drop), Attic Series
560006387	W-Type 6 Wrench	Model TY-B, Model TY-FRB, Model SG, Model LF II, Model TY300-B Model TY300-FRB
568504001	W-Type 7 Wrench [Recessed]	Model TY-B, Model TY-FRB, Model SG, Model CHEC, Model LF II, Series DS-1, Model TY300-B, Model TY300-FRB
568921001	W-Type 8 Wrench	Model Ultra K17, Model K17-231
560001849	W-Type 9 Wrench	Model TY-L, Model TY-FRL, Model SGQR, Model SG
560001948	W-Type 10 Wrench	Model TY-L, Model SGQR
564521001	W-Type 11 Wrench	Series Issue "D" Quartzoid, Series Issue "D" Stainless Steel
567981001	W-Type 12 Wrench	Model TY-FRL
560104118	W-Type 17 Wrench	Series DS-2
560001265	W-Type 18 Wrench	Model LFII
560001106	W-Type 20 Wrench	W-Type 20 Wrench is suitable for Model CC1, Window Sprinkler, Attic Series
560010686	W-Type 21 Wrench	Model ESFR-17
566657001	W-Type 22 Wrench	Series EC-11, Series EC-14
560006838	W-Type 23 Wrench	EC-8 Recessed
563141001	W-Type 25 Wrench	Raven
560015093	1509-3 Institutional Wrench	Model TFP PH2, Model TFP PH5, Model TFP Max
560001075	RFII Wrench	Series RFII, Series DS-C, Series DS-CEC
560004947	Wrench (Socket Only)	Model LFII
560004948	Socket/Ratchet Wrench	Model LFII
560004300	Cover Removal Tool	Model LFII Protective Cover Removal Tool

For the most up-to-date technical information visit us online or speak to your local Sales contact

Для получения актуальной технической информации посетите наш сайт или обратитесь к местному торговому представителю.

En güncel teknik bilgiler için web sitemizi ziyaret edin veya yerel Satış yetkiliniz ile görüşün

Watermist

R Тонкораспыленная вода

T Su sisi

ULF - Ultra Low Flow

ULF - ULF – Системы пожаротушения ТРВ низкого давления
ULF - Ultra Düşük Akış



P. 2.002

Fog – High Pressure

Fog – Системы пожаротушения ТРВ высокого давления
Fog - Yüksek Basınç



P. 2.004

Sonic – Twin fluid

Sonic – Сверхзвуковая система с комбинированным ОТВ
Sonic – Çift Akışkan



P. 2.006

ULF - Ultra Low Flow

- R** ULF – TPB низкого давления
- T** ULF - Ultra Düşük Akış



DESCRIPTION:

The Ultra Low Flow system is a complete engineered solution which includes pumps, valves, discharge nozzles, pipes and fittings, all designed to function as one dedicated fire suppression solution.

Each AquaMist ULF system consists of:

- // A pump skid unit
- // Electrical control equipment
- // Discharge nozzles which are located around the protected area:
 - AM4, AM24, AM27, AM29, AM30
- // G-PRESS piping system
- // Optional FASTFLEX flexible hoses
- // Design & technical services

The AquaMist ULF systems are suitable for a variety of applications.

It provides fire control for example for:

- // Hotels
- // Hospitals
- // Museums
- // Machinery protection
- // Data centers

How it works

The system operates at working pressures of 7 to 16 bar, producing droplets of water through an engineered discharge nozzle, with different nozzle types for different protected hazards. The fine mist generated following operation is designed to limit fire growth at an early stage, before the fire can fully develop. The benefits gained include up to a fivefold reduction in the water required, without any detrimental effect on firefighting capability.

For more information visit www.tyco-fire.com/aquamist or speak to your local Sales contact.



ULF - Ultra Low Flow

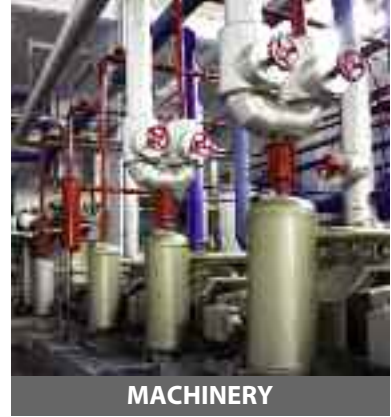
- R** ULF – TPB низкого давления
- T** ULF - Ultra Düşük Akış



HOTEL



HOSPITAL



MACHINERY

- R** ULF – TPB низкого давления

ОПИСАНИЕ:

Система TPB низкого давления ULF - включающая насосы, узлы управления, распылители, трубы и фитинги, является целостным техническим решением для противопожарной защиты объекта.

Система очень низкого расхода AquaMist ULF включает следующие элементы:

- // Насосная установка на раме
- // Шкаф управления
- // Распылители, устанавливаемые в пределах защищаемой зоны:
AM4, AM24, AM27, AM29, AM30
- // Система трубопроводов и фитингов G-PRESS
- // Дополнительные гибкие шланги FASTFLEX
- // Услуги по проектированию и техническая поддержка

Принцип работы системы

Система работает при номинальном давлении от 7 до 16 бар, при этом орошение происходит через специальные распылители, типы которых варьируются в зависимости от категории защищаемого помещения. Поток TPB, образуемый при работе системы, предназначен для ограничения распространения пожара на ранней стадии, что позволяет предотвратить развитие очага пожара. Одним из многочисленных преимуществ системы является пятикратное сокращение требуемого объема воды без какого-либо негативного влияния на возможности пожаротушения.

Для получения дополнительной информации посетите сайт www.tyco-fire.com/aquamist или обратитесь к местным представителям TYCO.

Системы AquaMist ULF подходят для различных сфер применения. Они обеспечивают защиту от пожара в:

- // Гостиницах
- // Медицинских учреждениях
- // Музеях
- // Машинных залах
- // Центрах обработки данных

- T** ULF - Ultra Düşük Akış

TANIM:

Ultra Düşük Akış sistemi, tam bir yangın söndürme sistem çözümü olarak çalışacak şekilde tasarlanmış pompaları, vanaları, boşaltma başlıklarını, boruları ve fittingleri içeren bütün bir mühendislik çözümüdür.

Her bir AquaMist ULF sistemi şunlardan oluşur:

- // Pompa ünitesi
- // Elektrikli kontrol ekipmanı
- // Korunacak alanların çevresine yerleştirilmiş nozullar:
AM4, AM24, AM27, AM29, AM30
- // G-PRESS borulama sistemi
- // Opsiyonel FASTFLEX esnek hortumlar
- // Tasarım ve teknik hizmetler

AquaMist ULF sistemleri çeşitli uygulamalar için uygundur. Yangın söndürme sistemi olarak kullanılacak alanlardan bazıları:

- // Oteller
- // Hastaneler
- // Müzeler
- // Makine korumaları
- // Veri merkezleri

Nasıl çalışır

Sistem, hesapları yapılarak tasarlanmış bir nozul vasıtasıyla su damlacıkları üreterek, 7 ila 16 barlık çalışma basınçlarında çalışır, farklı tehlike sınıfları için farklı nozul tipleri vardır. Sistemin devreye girmesi ile oluşan ince sis, yangının büyümesini, tam olarak gelişmeden, erken bir aşamada sınırlamak için tasarlanmıştır. Sistemin en önemli özelliği yangın söndürme etkisinde herhangi bir kayıp olmadan, standart sulu söndürme sistemlerinde kullanılan su miktarının beşte biri oranında su gerektirmesidir.

Daha fazla bilgi için www.tyco-fire.com/aquamist sitesini ziyaret edin veya yerel Satış yetkiliniz ile görüşün.

Fog - High Pressure

R Fog – TPB высокого давления

T Fog - Yüksek Basınç



TRANSPORT



COMPUTER ROOM



MECHANICAL ESCALATOR

DESCRIPTION:

Tyco's Fog system reduces the consumption of water and pipe diameters whilst providing a fast and efficient method of fire protection for class A and B fires.

Each AquaMist Fog system consists of:

- // A pump skid unit
- // Electrical control equipment
- // Discharge nozzles which are located around the protected area
- // Design & technical services

The AquaMist Fog systems are suitable for a variety of applications. It provides fire control for example for:

- // Computer rooms
- // Occupied rooms and class A fires
- // Archives
- // Cable trays
- // Telecommunication centers

How it works

The system operates at working pressures of 70 to 200 bar to produce droplets of small diameters at high speed. For each different protected hazard, optimized nozzles have been developed and tested.

It also uses water at high pressure and is based on principles of well-established hydraulic technology. Spray heads are designed to discharge water in the form of watermist, with tiny drops creating a large effective cooling surface area of the fire and surrounding volume. The high speed of the droplets means that the mist can penetrate the hot fumes and reach the combustion area quickly.

AquaMist Fog systems can be supplied with a stand-alone bank of cylinders, electric pumps and diesel pumps depending on the fire hazard and installation needs.

For more information visit www.tyco-fire.com/aquamist or speak to your local Sales contact.



FOG OPEN NOZZLE



FOG NOZZLE

Fog - High Pressure

R Fog – TPB высокого давления

T Fog - Yüksek Basınç



TRANSPORT



COMPUTER ROOM



MECHANICAL ESCALATOR

R Fog – TPB высокого давления

ОПИСАНИЕ:

Система Fog компании Tyco позволяет снизить расход воды и уменьшить диаметр применяемых трубопроводов, оставаясь при этом быстрым и эффективным решением для защиты от пожаров класса А и В.

Система высокого давления AquaMist Fog включает следующие элементы:

- // Насосная установка на раме
- // Шкаф управления
- // Распылители, устанавливаемые в пределах защищаемой зоны:
- // Услуги по проектированию и техническая поддержка

Системы AquaMist Fog подходят для различных сфер применения. Они обеспечивают защиту от пожара в:

- // Компьютерных помещениях
- // Помещениях с персоналом и пожаров класса А
- // Архивах
- // Кабельных каналах
- // Телекоммуникационных центрах

Принцип работы системы

Система работает при номинальном давлении от 70 до 200 бар, при этом орошение происходит каплями воды с малым диаметром на высокой скорости. Для каждого типа помещения разработаны и испытаны распылители с оптимальными характеристиками.

В системе применяется вода под высоким давлением и принцип работы основан на проверенной временем гидравлической технологии. Насадки спроектированы для TPB с мелкими каплями, создающими развитую поверхность для эффективного охлаждения фронта пламени и окружающего объема. Высокая скорость капель позволяет водяному туману проникать сквозь нагретые газы и быстро достигать фронта горения.

Системы AquaMist Fog могут поставляться с отдельно стоящим комплектом баллонов, электрическими и дизельными насосами в зависимости от категории защищаемого помещения и типа пожарной нагрузки.

Для получения дополнительной информации посетите сайт www.tyco-fire.com/aquamist или обратитесь местным представителям.

T Fog - Yüksek Basınç

TANIM:

Tyco'nun Fog sistemi sınıf A ve B yangınları için hızlı ve etkin bir yangın koruma yöntemi sağlarken su tüketimini ve boru çaplarını düşürür.

Her bir AquaMist Fog sistemi şunlardan oluşur:

- // Pompa Ünitesi
- // Elektrikli kontrol ekipmanı
- // Korunacak alanların çevresine yerleştirilmiş nozullar
- // Tasarım ve teknik hizmetler

AquaMist Fog sistemleri çeşitli uygulamalar için uygundur. Kullanım alanlarından bazıları:

- // Bilgisayar odaları
- // Dolu odalar ve sınıf A yangınları
- // Arşivler
- // Kablo tavaları
- // İletişim merkezleri

Nasıl çalışır

Sistem, yüksek hızda küçük çaplarda damlacıklar üretmek için 70 ila 200 bar çalışma basınçlarında çalışır. Her bir farklı tehlike sınıfı için farklı üretilmiş nozullar geliştirilmiş ve test edilmişlerdir.

Sistemde yüksek basınçlı su kullanılır ve sistem tasarımı hidrolik teknolojileri prensipleri temeline dayanmaktadır. Sprey başlıklar suyu, yangın ve çevreye hacimde geniş bir etkin soğutma yüzeyi oluşturan minik damlacıklar ile su sisi formunda boşaltmak için tasarlanmıştır. Yüksek hızla boşaltılan damlacıkların oluşturduğu sis, sıcak dumanı hızla aşarak yangına ulaşır.

Aquamist Fog sistemleri yangın tehlike sınıfına ve kurulum gereksinimlerine göre, su tankları, elektrikli ve dizel pompalar ile birlikte temin edilebilir.

Daha fazla bilgi için www.tyco-fire.com/aquamist sitesini ziyaret edin veya yerel Satış yetkiliniz ile görüşün.

Sonic - Twin Fluid

R Sonic – Сверхзвуковая система с комбинированным ОТВ

T Sonic – Çift Akışkan



DESCRIPTION:

Tyco's AquaMist Sonic system is a revolution in Class B fire protection and features 100% machined stainless steel construction for superior strength, no internal moving parts for extreme dependability and multiple mounting options for ease of installation.

Each AquaMist Fog system consists of:

- // A bank of cylinders
- // Electrical control equipment
- // Discharge nozzles which are located around the protected area
- // Design & technical services

The system provides a higher volume of smaller water droplets, spraying them further and is the high-performance fire suppression system specifically engineered to cover a wide range of industrial, commercial and institutional special hazard applications.

How it works

This system utilizes non-toxic and readily available extinguishing media (water and nitrogen). AquaMist Sonic's twin-fluid technology is safe for people and is environmentally-friendly and it is also inexpensive to recharge. It is constructed of industry-recognized, proven, components including an ASME/TPED approved stainless steel water storage tank. Capable of automatic detection and actuation and/or remote manual actuation, the system is installed and serviced by authorized distributors. In terms of placement, the AquaMist Sonic system offers maximum flexibility. Atomisers can be mounted to the ceiling at heights from 3.0 to 8.0 meters (9.8 to 26.3 ft) and also to walls at heights from 2.0 to 5.0 meters (6.7 to 16.4 ft). Electrical or mechanical selector valve options allow protection of multiple hazards using a single system.

For more information visit www.tyco-fire.com/aquamist or speak to your local Sales contact.



Sonic - Twin Fluid

R Sonic – Сверхзвуковая система с комбинированным ОТВ

T Sonic – Çift Akışkan



INDUSTRIAL



SPECIAL HAZARD

R Sonic – Сверхзвуковая система с комбинированным ОТВ

ОПИСАНИЕ:

Система AquaMist Sonic компании Тусо является революционной системой в защите от пожаров класса В и имеет полностью механически обрабатываемую конструкцию из нержавеющей стали для повышенной прочности, полное отсутствие внутренних подвижных деталей для исключительной надежности и многочисленные варианты установки для облегчения монтажа.

Система высокого давления AquaMist Sonic включает следующие элементы:

// Комплект баллонов

// Шкаф управления

// Распылители, устанавливаемые в пределах защищаемой зоны:

// Услуги по проектированию и техническая поддержка

Система генерирует большой объем мелких капель воды, распыляя их на большее расстояние, и является высокоэффективной системой пожаротушения, специально разработанной для применения в различных типах промышленных, коммерческих и специальных объектов.

Принцип работы системы

В данной системе применяются нетоксичные, широко распространенные огнетушащие вещества (вода и азот) Технология двойного действия AquaMist Sonic безопасна для людей, не наносит вреда окружающей среде и является недорогой с точки зрения перезаправки. Система укомплектована надежными, зарекомендовавшими себя в промышленности элементами, включая резервуар для хранения воды из нержавеющей стали, одобренный ASME/TPED. Система устанавливается и обслуживается только авторизованными дистрибьюторами и сочетает в себе возможность автоматического обнаружения пожара и запуска и/или удаленного ручного запуска. Система AquaMist Sonic предоставляет максимальную гибкость с точки зрения размещения на защищаемом объекте. Распылители могут устанавливаться на потолке на высоте от 3,0 до 8,0 метров (от 9,8 до 26,3 фута), а также на стенах на высоте от 2,0 до 5,0 метров (от 6,7 до 16,4 фута). Применение электрических или механических узлов управления позволяет использовать одну систему для защиты различных направлений.

Для получения дополнительной информации посетите сайт www.tyco-fire.com/aquamist или обратитесь к местным представителям.

T Sonic – Çift Akışkan

TANIM:

Tyco'nun AquaMist Sonic sistemi B sınıfı yangın korunumunda çığır açmış olup %100 makine imalatı (otomatik) paslanmaz çelik konstrüksiyon daha fazla sertlik, iç aksamda hareket etmeyen parçalar üstün güvenilirlik, çoklu kalıp seçenekleri ise montaj için kolaylık sağlar.

AquaMist Fog sistemi şunlardan oluşur:

//Su silindirleri

// Elektrikli kontrol ekipmanı

// Koruma yapılacak alanın etrafına yerleştirilen nozullar

// Tasarım ve teknik hizmetler

Sistem çok küçük su damlacıklarını daha uzağa püskürterek daha geniş bir hacimde koruma sağlar. Yüksek performanslı yangın söndürme sistemi, endüstriyel, ticari ve kurumsal yapılarda farklı tehlike sınıfları için gereken uygulamaların tümünü kapsayacak şekilde özel olarak tasarlanmıştır.

Nasıl çalışır

Sistem zehirli olmayan ve her yerde bulunabilen söndürme maddelerini (su ve nitrojen) kullanır. AquaMist Sonic'in çift akışkanlı sıvı teknolojisi insanlar için güvenli ve çevre dostudur ve aynı zamanda yeniden dolum maliyeti de düşüktür. ASME/TPED onaylı paslanmaz çelik su depolama tankı dahil endüstriyel anlamda kabul gören bileşenlerden oluşmaktadır. Otomatik algılama ve hem otomatik hem de manuel aktivasyon özelliğine sahip bu sistemin montaj ve bakımları yetkili servisler tarafından yapılmaktadır. Otomatik algılama ve başlama yeteneği ve/veya uzaktan elle başlatma ile sistem, yetkili dağıtıcılar tarafından kurulur ve bakılır. AquaMist Sonic sistemi montaj yerleşimi konusunda da azami esneklik sunar. Nozullar 3,0 ila 8,0 metre (9,8 ila 26,3 ft) yüksekliğindeki tavanlara ve aynı zamanda 2,0 ila 5,0 metre (6,7 ila 16,4 ft) yüksekliğindeki duvarlara monte edilebilir. Elektrikli veya mekanik selektör vana seçeneği, farklı tehlike sınıfları için tek bir sistem kullanarak koruma olanağı sağlar. Elektrikli veya mekanik seçim vanası seçenekleri çoklu tehlikelere karşı tek bir sistem kullanarak koruma sağlar.

Daha fazla bilgi için www.tyco-fire.com/aquamist sitesini ziyaret edin veya yerel Satış yetkiliniz ile görüşün.

Alarm Valves

R Узлы управления

T Alarm Vanaları

Wet System Valves & Water Motor Alarm

Узлы управления для водозаполненных установок и гидравлические сирены
Islak Alarm Vanaları & Su Motorlu Alarm Gongu



P. 3.002

Dry System Valves

Узлы управления для воздушных установок
Kuru Alarm Vanaları



P. 3.015

Compressors

Компрессоры
Kompresörler



P. 3.027

Alternate Valve Assemblies

Комбинированные узлы управления
Kuru / Islak Alarm Vanaları



P. 3.031

Deluge System Valves

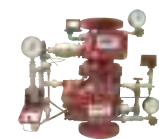
Узлы управления для дренчерных установок
Baskın Alarm Vanaları



P. 3.032

Preaction System Valves

Узлы управления для систем типа Preaction
Öntepkimeli Alarm Vanaları



P. 3.046

Modular Sprinkler Valve Cabinets

Модульные шкафы для узлов управления
Modüler Sprinkler Vana Dolapları



P. 3.053

Manifolds

Коллекторы
Manifoldlar



P. 3.055

Spare Kits

Комплекты запасных частей
Yedek Takımlar



P. 3.056

Wet System Valves

R Узлы управления для водозаполненных ("мокрых") установок

T Islak Alarm Vanaları

Model AV-1-300 Grooved

Модель AV-1-300 для грувлочного соединения
Model AV-1-300 Yivli



P. 3.004

Model AV-1-300 Flanged

Модель AV-1-300 с фланцами
Model AV-1-300 Flanşlı



P. 3.004

Model AV-1-300 Flanged x Grooved

Модель AV-1-300 (фланец x грувлочное соединение)
Model AV-1-300 Flanşlı x Yivli



P. 3.005

Wet System Valves Assemblies with FM Trim

Узлы управления для водозаполненных установок с обвязкой, имеющей сертификат FM
Islak Alarm Vana Tertibatları, FM Trimi ile



P. 3.006

Wet System Valves Assemblies with CE/FM Trim

Узлы управления для водозаполненных установок с обвязкой, имеющей сертификаты CE/FM
Islak Alarm Vana Tertibatları, CE/FM Trimi ile



P. 3.007

Wet System Valves Assemblies with CE/FM Trim

Узлы управления для водозаполненных установок с обвязкой, имеющей сертификаты CE/FM
Islak Alarm Vana Tertibatları, CE/FM Trimi ile



P. 3.008

Wet System Valves Assemblies with CE/Vds Trim

Узлы управления для водозаполненных установок с обвязкой, имеющей сертификаты CE/Vds
Islak Alarm Vana Tertibatları, CE/Vds Trimi ile



P. 3.009

Riser Check Valves Model CV-1 FR

Обратные клапаны для стояка, модель CV-1 FR
Riser Çek Vanaları, Model CV-1 FR



P. 3.010

Residential Domestic Shut Off Valves Model RSV-1

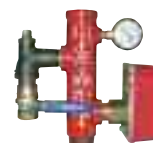
Узел управления для жилых помещений, модель RSV-1
Konut Tipi Kullanım İçin Kesme Vanaları, Model RSV-1



P. 3.011

Riser manifold

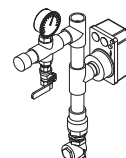
Коллектор для стояка
Riser Manifoldu



P. 3.012

CPVC Residential Riser

Стояк из ХПВХ для жилых помещений
CPVC Konutsal Riser



P. 3.012

Wet System Valves

- Узлы управления для водозаполненных ("мокрых") установок
- Islak Alarm Vanaları

Water Motor Alarm Model WMA-1

Гидравлическая сирена, модель WMA-1
Su Motorlu Alarm Gongu, Model WMA-1



P. 3.013

Butterfly Wafer Model BW

Межфланцевый дроссельный клапан, модель BW
Flanşlı Kelebek Vanalar, Model BW



P. 3.014

Wet Pipe Valves Model L/W

Клапаны для водозаполненных систем, модель L/W
Islak Alarm Vanaları, Model L/W



P. 3.014

Wet System Valves AV-1300 Grooved & Flanged

- R** Узлы управления для водозаполненных установок, модель AV-1-300, вариант для грувлочного соединения и вариант с фланцами
- T** Islak Alarm Vanaları AV-1300 Yivli ve Flanşlı



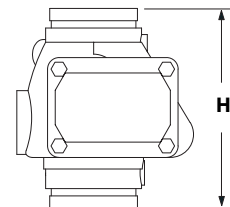
A V-1-300 GRV



TFP910

Body: Ductile Iron
Корпус: Ковкий чугун
Gövde: Duktül Demir

Coating: Red Paint
Покрытие: Красная краска
Kaplama: Kırmızı Boya



Model AV-1-300 Grooved / Для грувлочного соединения / Yivli

Art. Nr.	DN	H mm	Drain Дренаж Boşaltma	kg	VdS*	LPCB	CE	FM	UL	VMI/PO
522034120	65[76.1mm]	2.1/2"	225	1.1/2"	10.0	✓		✓	✓	✓
522031923	100	4"	260	2" BSP	20.4	✓	✓	✓	✓	✓
522031925	150[168.3mm]	6"	311	2" BSP	30.9	✓	✓	✓	✓	✓
522031125	150[165.1mm]	6"	311	2" BSP	30.9	✓	✓	✓	✓	✓
522031926	200	8"	356	2" BSP	58.6	✓	✓	✓	✓	✓

Max. 20.7 Bar [300 Psi]



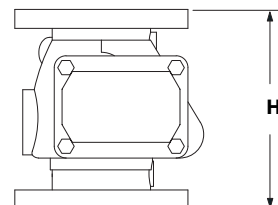
AV-1-300 FLG



TFP910

Body: Ductile Iron
Корпус: Ковкий чугун
Gövde: Duktül Demir

Coating: Red Paint
Покрытие: Красная краска
Kaplama: Kırmızı Boya



Model AV-1-300 Flanged / С фланцами / Flanşlı

Art. Nr.	DN	H mm	Flanges Фланце Flanşlar	Drain Дренаж Boşaltma	kg	VdS*	LPCB	CE	FM	UL	VMI/PO
522034113	100	4"	PN 10/16	2" BSP	28.1	✓	✓	✓	✓	✓	✓
522031013	100	4"	ANSI 125	2" NPT	28.1		✓	✓	✓	✓	✓
522034115	150	6"	PN 10/16	2" BSP	42.2	✓	✓	✓	✓	✓	✓
522031015	150	6"	ANSI 125	2" NPT	42.2		✓	✓	✓	✓	✓
522034116	200	8"	PN 10	2" BSP	75.8	✓	✓	✓	✓	✓	✓
522034117	200	8"	PN 16	2" BSP	75.8	✓	✓	✓	✓	✓	✓
522031016	200	8"	ANSI 125	2" NPT	75.8		✓	✓	✓	✓	✓

Max. Pressure depending on flange type
Макс. давление зависит от типа фланца
Flanş tipine bağlı maks. basınç

*VdS only in combination with VdS approved Trim/Сертификат VdS действителен только в комбинации с обвязкой, имеющей сертификат VdS/VdS onaylı Trim ile birlikte yalnızca VdS.

Wet System Valves, Model AV-1-300 Flanged x Grooved

- Узлы управления для водозаполненных установок, модель AV-1-300 (фланец x грувлочное соединение)
- Islak Alarm Vanaları, Model AV-1-300 Flanşlı x Yivli



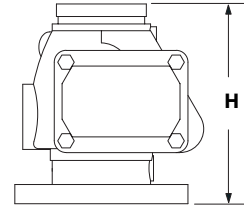
AV-1-300 FLG X GRV



TFP910

Body: Ductile Iron
Корпус: Ковкий чугун
Gövde: Duktıl Demir

Coating: Red Paint
Покрытие: Красная краска
Kaplama: Kırmızı Boya



Model AV-1-300 Flanged x Grooved/Фланец x грувлочное соединение/Flanşlı x Yivli

Art. Nr.	DN		H mm	Flanges Фланцы Flanşlar	Drain Дренаж Boşaltma	kg	Vds*	IPCB	CE	FM	UL	VMIPO
522031311	65	2.1/2"[76.1mm]	225	PN 10/16	1.1/2 BSP	12.7				✓	✓	✓
522031220	65	2.1/2"[76.1mm]	225	ANSI 125	1.1/2 NPT	12.7				✓	✓	✓
522034213	100	4"	254	PN 10/16	2" BSP	23.1	✓	✓	✓	✓	✓	✓
522031413	100	4"	254	ANSI 125	2" BSP	23.1		✓	✓	✓	✓	✓
522034215	150	6"[168.3mm]	305	PN 10/16	2" BSP	35.4	✓	✓	✓	✓	✓	✓
522031615	150	6"[168.3mm]	305	ANSI 125	2" NPT	35.4		✓	✓	✓	✓	✓
522034216	200	8"	356	PN 10	2" BSP	67.1	✓	✓	✓	✓	✓	✓
522034226	200	8"	356	PN 16	2" BSP	67.1	✓	✓	✓	✓	✓	✓
522031816	200	8"	356	ANSI 125	2" NPT	67.1		✓	✓	✓	✓	✓

Max. Pressure depending on flange type/Макс. давление зависит от типа фланца/Flanş tipine bağlı maks. basınç

FM Trims Galvanized / Оцинкованные обвязки, имеющие сертификат FM / Galvanize FM Trimler

Art. Nr.	DN		Drain Дренаж Drenaj
522042050	65	2.1/2"	Closed/Закрыто/Kapalı
522042951E	100, 150	4", 6"	Closed/Закрыто/Kapalı
522042952E	200	8"	Closed/Закрыто/Kapalı

*Vds only in combination with Vds approved Trim/Сертификат Vds действителен только в комбинации с обвязкой, имеющей сертификат Vds/Vds onaylı Trim ile birlikte yalnızca Vds.

Wet System Valve Assemblies with FM Trim

- R** Узлы управления для водозаполненных установок с обвязкой, имеющей сертификат FM
- T** Islak Alarm Vana Tertibatları, FM Trimi ile



AV-1-300 FM

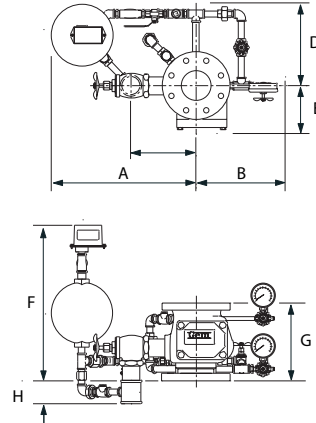


Body:
Корпус:
Gövde:

Ductile Iron
Ковкий чугун
Duktil Demir

Coating:
Покрытие:
Kaplama:

Red Paint
Красная краска
Kırmızı Boya



Standard Assembly:
Wet Alarm Valve [AV-1-300]
Retarding Chamber [RC-1]
Pressure Alarm Switch [PS10-1]
No Stop Valve*

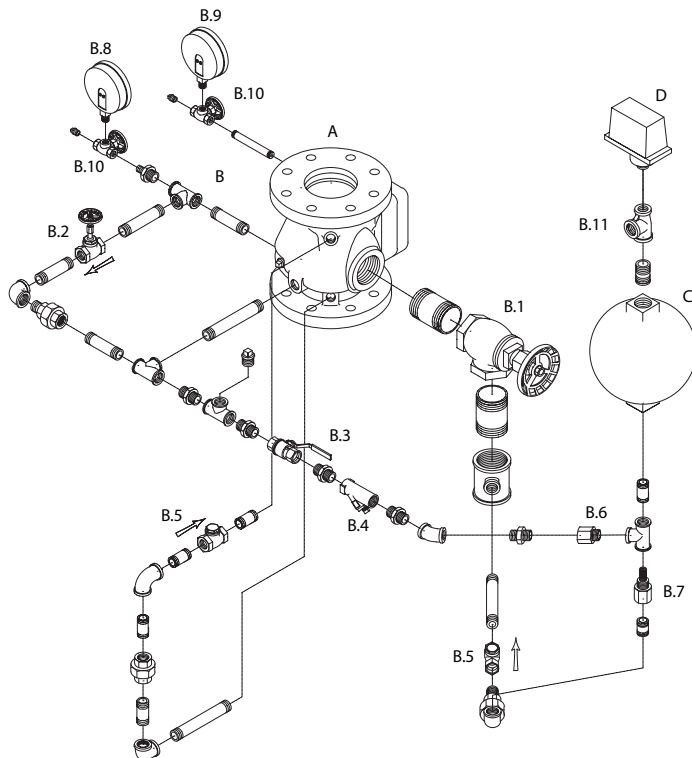
Комплект узла управления:
Узел управления для водозаполненной установки [AV-1-300] с обвязкой
Замедляющая камера [RC-1]
Сигнализатор давления [PS10-1]
Запорная арматура не входит в комплект*

Standart Tertibat:
Islak Alarm Vanası [AV-1-300]
Geciktirme Hücresi [RC-1]
Basınç Alarm Anahtarı [PS10-1]
No Stop Vanası*

For Stop Valve see chapter 3, needs to be ordered separately/Запорная арматура заказывается отдельно (см. раздел 3)*/Durdurma Vanası için 3. bölüme bakınız, özel olarak sipariş edilmelidir

Art. Nr.	DN	Inlet Вход Giriş	Outlet Выход Çıkış	A mm	B mm	C mm	D mm	E mm	F mm	G mm	H mm	kg	
1147200101	100 [114.3 mm]	4"	GRV	GRV	500	300	215	280	160	530	254	80	38
1447200101	100	4"	PN 10/16	PN 10/16	500	300	215	280	160	530	254	80	45
1167200101	150 [168.3 mm]		GRV	GRV	520	310	240	300	190	550	305	75	48
1467200101	150	6"	PN 10/16	PN 10/16	520	310	240	300	190	550	305	75	59
1187200101	200 [219.1 mm]	8"	GRV	GRV	520	340	260	340	230	560	356	60	76
1487200101	200	8"	PN10	PN10	520	340	260	340	230	560	356	60	75
1587200101	200	8"	PN 16	PN 16	520	340	260	340	230	560	356	60	93

Other options available on request/Другие варианты доступны под заказ/
Diğer seçenekler talep üzerine mevcuttur



- Pos. Description**
- A** Wet Alarm Valve AV-1-300
 - B** Alarm Valve Trim, including:
 - B.1** Main Drain Valve
 - B.2** Alarm Test Valve
 - B.3** Alarm Control Valve
 - B.4** Strainer
 - B.5** Swing Check Valve
 - B.6** 5.6 mm Orifice Restriction
 - B.7** 3.2 mm Orifice Restriction
 - B.8** Supply Pressure Gauge
 - B.9** System Pressure Gauge
 - B.10** Gauge Test Valve
 - B.11** Watermotor Alarm/Vent Trim Connection
 - C** Retarding Chamber RC-1
 - D** Pressure Alarm Switch PS10-1
- Поз. Описание**
- A** Узел управления для водозаполненной установки AV-1-300
 - B** Обвязка узла управления, включающая следующие элементы:
 - B.1** Главный дренажный клапан
 - B.2** Кран шаровой для тестирования
 - B.3** Кран шаровой для сигнальной линии
 - B.4** Фильтр
 - B.5** Обратный клапан
 - B.6** Ограничитель с диаметром отверстия 5,6 мм
 - B.7** Ограничитель с диаметром отверстия 3,2 мм
 - B.8** Манометр системы водоснабжения
 - B.9** Манометр спринклерной системы
 - B.10** Вентиль для манометра
 - B.11** Подключение гидравлической сирены/устройства выпуска воздуха из замедляющей камеры
 - C** Замедляющая камера RC-1
 - D** Сигнализатор давления PS10-1
- Pos. Tanım**
- A** Islak Alarm Vanası AV-1-300
 - B** Alarm vanası trimi bu parçalardan oluşmaktadır:
 - B.1** Ana Drenaj Vanası
 - B.2** Alarm Deneme Vanası
 - B.3** Alarm Kontrol Vanası
 - B.4** Pislik Tutucu (Süzgeç)
 - B.5** Swing Çek Vana
 - B.6** 5,6 mm Orifis Sınırlaması
 - B.7** 3,2 mm Orifis Sınırlaması
 - B.8** Besleme Basıncı için Manometre
 - B.9** Sistem Basıncı için Manometre
 - B.10** Manometre Deneme Vanası
 - B.11** Su Motorlu Alarm Gongu
 - C** Havalık Trim Bağlantısı
 - D** Geciktirme Hücresi [RC-1]
 - D** Basınç Alarm Anahtarı PS10-1

Drawing is 4" Flange x Flange Valve
На рисунке показан узел управления DN100 фланец x фланец
Çizim 4" Flanş x Flanş Vanasıdır

Wet System Valve Assemblies with CE/FM Trim

- R** Узлы управления для водозаполненных установок с обвязкой, имеющей сертификаты CE/FM
- T** Islak Alarm Vana Tertibatları, CE/FM Trimi ile



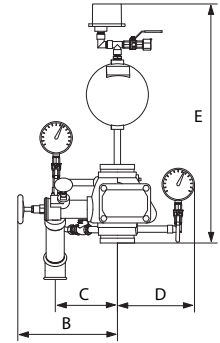
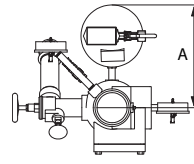
TFP990

Body:
Корпус:
Gövde:

Ductile Iron
Ковкий чугун
Duktil Demir

Coating:
Покрытие:
Kaplama:

Red Paint
Красная краска
Kırmızı Boya



Standard Assembly:
Wet Alarm Valve [AV-1-300]
Retarding Chamber [RC-1]
Pressure Alarm Switch [PS10-1]

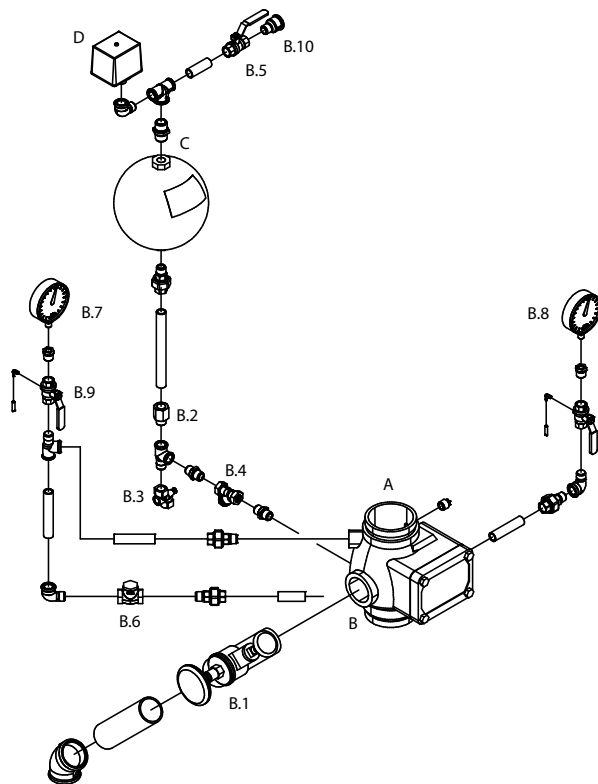
Комплект узла управления:
Узел управления для водозаполненной установки [AV-1-300] с обвязкой
Замедляющая камера [RC-1]
Сигнализатор давления [PS10-1]

Standart Tertibat:
Islak Alarm Vanası [AV-1-300]
Geciktirme Hücresi [RC-1]
Basınç Alarm Anahtarı [PS10-1]

*For Stop Valve see chapter 3, needs to be ordered separately/*Запорная арматура заказывается отдельно (см. раздел 3)/* Durdurma Vanası için 3. bölüme bakınız, özel olarak sipariş edilmelidir

Art. Nr.	DN			Inlet Вход Giriş	Outlet Выход Çıkış	A mm	B mm	C mm	D mm	E mm	Q Kg	W5	LPCB	CE	FM
1108900101	65	[76.1 mm]	2.1/2"	GRV	GRV	310	390	266	320	745	31	✓	✓	✓	✓
1608900101	65		2.1/2"	PN 10/16	GRV	310	390	266	320	745	33	✓	✓	✓	✓
1148900101	100	[114.3 mm]	4"	GRV	GRV	315	340	216	260	760	38	✓	✓	✓	✓
1648900101	100		4"	PN 10/16	GRV	315	340	216	260	760	41	✓	✓	✓	✓
1448900101	100		4"	PN 10/16	PN 10/16	315	340	216	260	760	46	✓	✓	✓	✓
1168900101	150	[168.3 mm]	6"	GRV	GRV	340	360	236	285	770	49	✓	✓	✓	✓
1668900101	150		6"	PN 10/16	GRV	340	360	236	285	770	54	✓	✓	✓	✓
1468900101	150		6"	PN 10/16	PN 10/16	340	360	236	285	770	60	✓	✓	✓	✓
1188900101	200	[219.1 mm]	8"	GRV	GRV	410	390	266	405	770	78	✓	✓	✓	✓
1688900101	200		8"	PN 16	GRV	410	390	266	405	770	86	✓	✓	✓	✓
1588900101	200		8"	PN 16	PN 16	410	390	266	405	770	95	✓	✓	✓	✓

Other options available on request/
Другие варианты доступны под заказ/
Diğer seçenekler talep üzerine mevcuttur



- Pos. Description**
- A** Wet Alarm Valve AV-1-300
 - B** Alarm Valve Trim, including:
 - B.1** Test & Drain Valve
 - B.2** 3.6 mm Orifice Restriction
 - B.3** K=5 Orifice Restriction
 - B.4** Strainer
 - B.5** Alarm Control Valve
 - B.6** Swing Check Valve
 - B.7** System Pressure Gauge
 - B.8** Supply Pressure Gauge
 - B.9** Gauge Test Valve
 - B.10** Watermotor Alarm/Vent Trim Connection
 - C** Retarding Chamber RC-1
 - D** Pressure Alarm Switch PS10-1

- Poz. Описание**
- A** Узел управления для водозаполненной установки AV-1-300
 - B** Обвязка узла управления, включающая следующие элементы:
 - B.1** Клапан для тестирования и дренажа
 - B.2** Ограничитель с диаметром отверстия 3,6мм
 - B.3** Ограничитель с к-фактором=5
 - B.4** Фильтр
 - B.5** Кран шаровой для сигнальной линии
 - B.6** Обратный клапан
 - B.7** Манометр спринклерной системы
 - B.8** Манометр системы водоснабжения
 - B.9** Вентиль для манометра
 - B.10** Подключение гидравлической сирены/устройства выпуска воздуха из замедляющей камеры
 - C** Замедляющая камера RC-1
 - D** Сигнализатор давления PS10-1

- Poz. Tanım**
- A** Islak Alarm Vanası AV-1-300
 - B** Alarm vanası trimi bu parçalardan oluşmaktadır:
 - B.1** Deneme ve Boşaltma Vanası
 - B.2** 3,6 mm Orifis Sınırlaması
 - B.3** K=5 Orifis Sınırlaması
 - B.4** Pislik Tutucu (Süzgeç)
 - B.5** Alarm Kontrol Vanası
 - B.6** Geri Tepme Emniyet Vanası
 - B.7** Sistem Basıncı için Manometre
 - B.8** Besleme Basıncı için Manometre
 - B.9** ManometreDeneme Vanası
 - B.10** Su Motorlu Alarm Gongu Havalık Trim Bağlantısı
 - C** Geciktirme Hücresi [RC-1]
 - D** Basınç Alarm Anahtarı PS10-1

Drawing is 4" Groove x Groove Valve
На рисунке показан узел управления DN100 фланец x фланец
Çizim 4" Yivli x Yivli Vanadır

Wet System Valve Assemblies with CE/FM Trim

- R** Узлы управления для водозаполненных установок с обвязкой, имеющей сертификаты CE/FM
- T** Islak Alarm Vana Tertibatları, CE/FM Trimi ile



AV-1-300 SUPERVISED

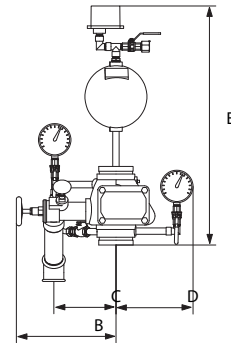
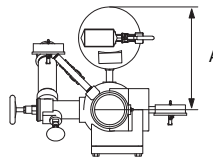


Body:
Корпус:
Gövde:

Ductile Iron
Ковкий чугун
Duktül Demir

Coating:
Покрытие:
Kaplama:

Red Paint
Красная краска
Kırmızı Boya



Standard Assembly:
Wet Alarm Valve [AV-1-300]
Retarding Chamber [RC-1]
Pressure Alarm Switch [PS10-1]
Ball Valve

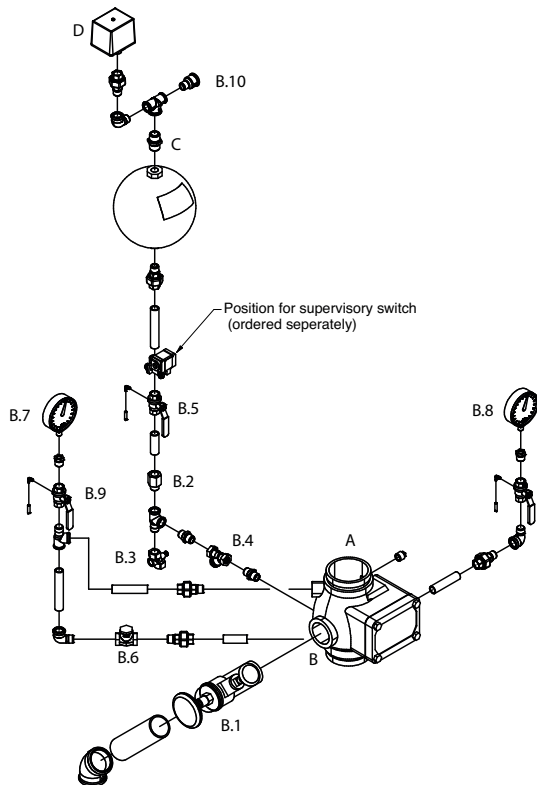
Комплект узла управления:
Узел управления для водозаполненной установки [AV-1-300] с обвязкой
Замедляющая камера [RC-1]
Сигнализатор давления [PS10-1]
Шаровой кран

Standart Tertibat:
Islak Alarm Vanası [AV-1-300]
Geciktirme Hücresi [RC-1]
Basınç Alarm Anahtarları [PS10-1]
Küresel Vana

For Stop Valve see chapter 3, needs to be ordered separately/Запорная арматура заказывается отдельно (см. раздел 3)*/Durdurma Vanası için 3. bölüme bakınız, özel olarak sipariş edilmelidir

Art. Nr.	DN	Inlet Вход Giriş	Outlet Выход Çıkış	A mm	B mm	C mm	D mm	E mm	Ø Kg	VdS	LPCB	CE	FM
1108800105	65 [76.1 mm]	2.1/2"	GRV	315	390	266	320	830	31	✓	✓	✓	✓
1608800105	65	2.1/2"	PN 10/16	315	390	266	320	830	33	✓	✓	✓	✓
1148800105	100 [114.3 mm]	4"	GRV	315	340	216	260	830	38	✓	✓	✓	✓
1648800105	100	4"	PN 10/16	315	340	216	260	830	41	✓	✓	✓	✓
1448800105	100	4"	PN 10/16	315	340	216	260	830	46	✓	✓	✓	✓
1168800105	150 [168.3 mm]	6"	GRV	340	360	236	280	830	49	✓	✓	✓	✓
1668800105	150	6"	PN 10/16	340	360	236	280	830	54	✓	✓	✓	✓
1468800105	150	6"	PN 10/16	340	360	236	280	830	60	✓	✓	✓	✓
1188800105	200 [219.1 mm]	8"	GRV	410	390	266	400	830	78	✓	✓	✓	✓
1688800105	200	8"	PN 16	410	390	266	400	830	86	✓	✓	✓	✓
1588800105	200	8"	PN 16	410	390	266	400	830	95	✓	✓	✓	✓

Other options available on request/
Другие варианты доступны под заказ/
Diğer seçenekler talep üzerine mevcuttur



Drawing is 4" Groove x Groove Valve

На рисунке показан узел управления DN100 для гравитационного муфтового соединения
Çizim 4" Yivli x Yivli Vanadır

- Pos. Description**
- A** Wet Alarm Valve AV-1-300
 - B** Alarm Valve Trim, including:
 - B.1** Test & Drain Valve
 - B.2** 3.6 mm Orifice Restriction
 - B.3** K=5 Orifice Restriction
 - B.4** Strainer
 - B.5** Alarm Control Valve
 - B.6** Swing Check Valve
 - B.7** System Pressure Gauge
 - B.8** Supply Pressure Gauge
 - B.9** Gauge Test Valve
 - B.10** Watermotor Alarm/Vent Trim Connection
 - C** Retarding Chamber RC-1
 - D** Pressure Alarm Switch PS10-1

- Poz. Описание**
- A** Узел управления для водозаполненной установки AV-1-300
 - B** Обвязка узла управления, включающая следующие элементы:
 - B.1** Клапан для тестирования и дренажа
 - B.2** Ограничитель с диаметром отверстия 3,6мм
 - B.3** Ограничитель с к-фактором=5
 - B.4** Фильтр
 - B.5** Кран шаровой для сигнальной линии
 - B.6** Обратный клапан
 - B.7** Манометр спринклерной системы
 - B.8** Манометр системы водоснабжения
 - B.9** Вентиль для манометра
 - B.10** Подключение гидравлической сирены/устройства выпуска воздуха из замедляющей камеры
 - C** Замедляющая камера RC-1
 - D** Сигнализатор давления PS10-1

- Poz. Tanım**
- A** Islak Alarm Vanası AV-1-300
 - B** Alarm vanası trimi bu parçalardan oluşmaktadır:
 - B.1** Deneme ve Boşaltma Vanası
 - B.2** 3,6 mm Orifis Sınırlaması
 - B.3** K=5 Orifis Sınırlaması
 - B.4** Pislik Tutucu (Süzgeç)
 - B.5** Alarm Kontrol Vanası
 - B.6** Geri Tepme Emniyet Vanası
 - B.7** Sistem Basıncı için Manometre
 - B.8** Besleme Basıncı için Manometre
 - B.9** Manometre Deneme Vanası
 - B.10** Su Motorlu Alarm Gongu / Havalık Trim Bağlantısı
 - C** Geciktirme Hücresi [RC-1]
 - D** Basınç Alarm Anahtarları PS10-1

Wet System Valve Assemblies with CE/VdS Trim

- R** Узлы управления для водозаполненных установок с обвязкой, имеющей сертификаты CE/VdS
- T** Islak Alarm Vana Tertibatları, CE/VdS Trimi ile



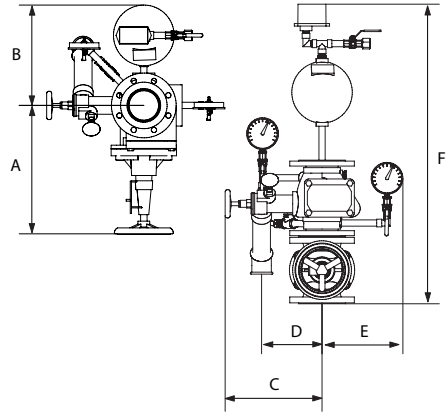
TFP990

Body:
Корпус:
Gövde:

Ductile Iron
Ковкий чугун
Duktil Demir

Coating:
Покрытие:
Kaplama:

Red Paint
Красная краска
Kırmızı Boya



Standard Assembly:
Wet Alarm Valve [AV-1-300]
Retarding Chamber [RC-1]
Pressure Alarm Switch [PS10-1]
Gate Valve [0547] not supervised

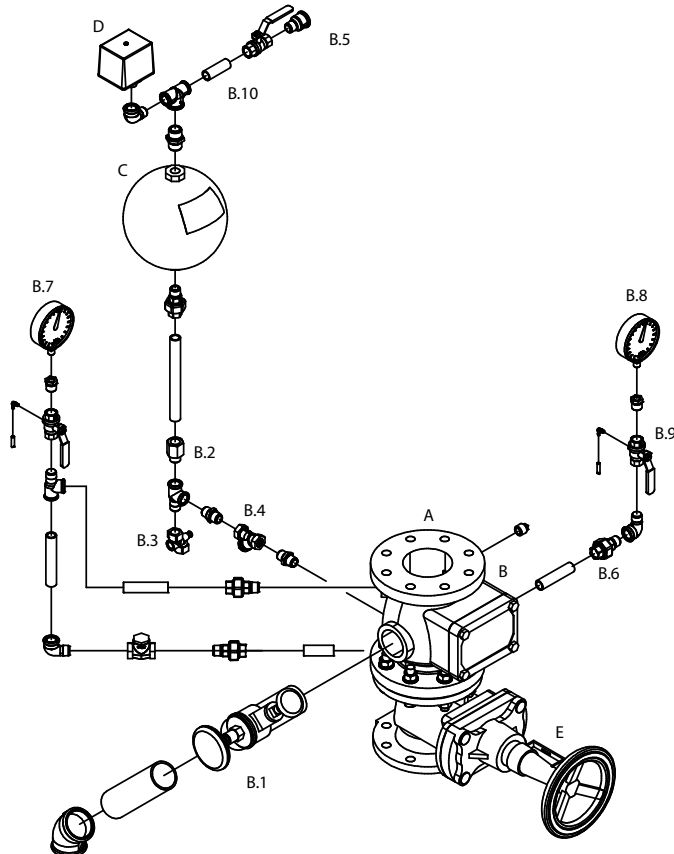
Комплект узла управления:
Узел управления для водозаполненной установки [AV-1-300] с обвязкой
Замедляющая камера [RC-1]
Сигнализатор давления [PS10-1]
Задвижка шиберная 05-47 без индикации

Standart Tertibat:
Islak Alarm Vanası [AV-1-300]
Geciktirme Hücresi [RC-1]
Basınç Alarm Anahtarı [PS10-1]
Kesme vanası [0547], süpervizyonsuz

Art. Nr.	DN	Inlet Вход Giriş	Outlet Выход Çıkış	A mm	B mm	C mm	D mm	E mm	F mm	Kg	VdS	CE	
1608921101	65 [76.1 mm]	21/2"	PN10/16	GRV	154	310	390	266	320	745	57	✓	✓
1648921101	100 [114.3 mm]	4"	PN10/16	GRV	154	315	340	216	260	760	65	✓	✓
1448921101	100	4"	PN10/16	PN10/16	154	315	340	216	260	760	70	✓	✓
1668921101	150 [168.3 mm]	6"	PN10/16	GRV	174	340	360	236	285	770	96	✓	✓
1468921101	150	6"	PN10/16	PN10/16	174	340	360	236	285	770	103	✓	✓
1688921101	200 [219.1 mm]	8"	PN16	GRV	223	410	390	266	405	770	151	✓	✓
1488921101	200	8"	PN10	PN10	223	410	390	266	405	770	159	✓	✓
1588921101	200	8"	PN16	PN16	223	410	390	266	405	770	159	✓	✓

Accessories/Принадлежности/Aksesuarlar	
Art. Nr.	Description/Описание/Tanım
VDSKIT1	Supervisory Switch [2x] no light/Реле управления без индикатора/ Süpervizyon anahtarı [2x] ışksız
VDSKIT2	Supervisory Switch [2x] with light/Реле управления с индикатором/ Süpervizyon anahtarı [2x] ışıklı
VDSKIT3	Additional Pressure Switch no Light/Дополнительный сигнализатор давления без индикатора/Ek basınç anahtarı, ışksız
VDSKIT4	Additional Pressure Switch with Light/Дополнительный сигнализатор давления с индикатором/Ek basınç anahtarı, ışıklı

Other options available on request/Другие варианты доступны под заказ/
Diğer seçenekler talep üzerine mevcuttur



Drawing is 4" Flange x Flange Valve
На рисунке показан узел управления DN100 фланец x фланец
Çizim 4" Flanş x Flanş Vanasıdır

Pos. Description

A Wet Alarm Valve AV-1-300

B Alarm Valve Trim, including:

B.1 Test & Drain Valve

B.2 3.6 mm Orifice Restriction

B.3 K=5 Orifice Restriction

B.4 Strainer

B.5 Alarm Control Valve

B.6 Swing Check Valve

B.7 System Pressure Gauge

B.8 Supply Pressure Gauge

B.9 Gauge Test Valve

B.10 Watermotor Alarm/Vent Trim Connection

C Retarding Chamber RC-1

D Pressure Alarm Switch PS10-1

E Gate Valve 0547 (for supervised order separetely

WS00000011)

Pos. Описание

A Узел управления для водозаполненной установки AV-1-300

B Обвязка узла управления, включающая следующие элементы:

B.1 Клапан для тестирования и дренажа

B.2 Ограничитель с диаметром отверстия 3,6мм

B.3 Ограничитель с к-фактором=5

B.4 Фильтр

B.5 Кран шаровой для сигнальной линии

B.6 Обратный клапан

B.7 Манометр спринклерной системы

B.8 Манометр системы водоснабжения

B.9 Вентиль для манометра

B.10 Подключение гидравлической сирены/устройства выпуска

воздуха из замедляющей камеры

C Замедляющая камера RC-1

D Сигнализатор давления PS10-1

E Задвижка шиберная 05-47 (для наличия индикации необходимо

отдельно заказать WS00000011)

Pos. Tanım

A Islak Alarm Vanası AV-1-300

B Alarm vanası trimi bu parçalardan oluşmaktadır:

B.1 Deneme ve Boşaltma Vanası

B.2 3,6 mm Orifis Sınırlaması

B.3 K=5 Orifis Sınırlaması

B.4 Pislik Tutucu (Süzgeç)

B.5 Alarm Kontrol Vanası

B.6 Geri Tepme Emniyet Vanası

B.7 Sistem Basıncı için Manometre

B.8 Besleme Basıncı için Manometre

B.9 Manometre Deneme Vanası

B.10 Su Motorlu Alarm Gongu/ Havalık Trim Bağlantısı

C Geciktirme Hücresi [RC-1]

D Basınç Alarm Anahtarı PS10-1

E Kesme Vanası 0547, (süpervizyonlu için

ayrıca sipariş geçin WS00000011)

Riser Check Valves Model CV-1 FR

- R** Обратные клапаны для стояка, модель CV-1 FR
- T** Riser Çek Vanaları, Model CV-1 FR



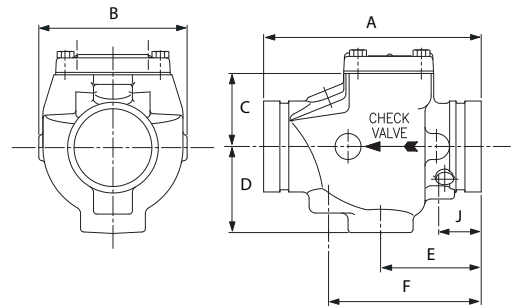
CV-1 FR



TFP950

Body: Ductile Iron
 Корпус: Ковкий чугун
 Gövde: Duktül Demir

Coating: Red Paint
 Покрытие: Красная краска
 Kaplama: Kırmızı Boya



Model CV-1 FR Grooved/Для грувлочного соединения/Йivli

Art. Nr.	DN	PN [Bar]	A mm	B mm	C mm	D mm	E mm	F mm	J mm	Kg	FM	UL
595901020	50 [60.3mm]	2"	20.7	171.52	111.3	64.8	65.3	82.3	120.7	41.5	4.5	√ √
595901025	65 [73.0mm]	2.1/2"	20.7	203.2	147.3	86.6	86.4	98.6	152.4	43.2	4.5	√ √
595901076	65 [76.1mm]	2.1/2"	20.7	203.2	147.3	86.6	86.4	98.6	152.4	43.2	4.5	√ √
595901030	80 [88.9mm]	3"	20.7	212.6	146.3	91.4	86.4	98.6	152.4	43.2	5.0	√ √
595901040	100[114.3mm]	4"	20.7	244.6	171.2	117.1	92.2	115.1	181.1	46.7	11.3	√ √
595901139	125 [139.7mm]	5"	20.7	266.7	190.5	134.4	106.7	124.5	193.0	48.3	13.2	√ √
595901050	125 [141.3mm]	5"	20.7	266.7	190.5	134.4	106.7	124.5	193.0	48.3	13.2	√ √
595901165	150 [165.1mm]	6"	20.7	292.1	204.5	146.1	114.3	127.0	193.0	37.6	21.3	√ √
595901060	150[168.3mm]	6"	20.7	292.1	204.5	146.1	114.3	127.0	193.0	37.6	21.3	√ √
595901080	200 [219.1mm]	8"	20.7	355.6	260.4	196.9	142.7	138.4	213.4	58.9	29.9	√ √

FM Trims Galvanized / Оцинкованные обвязки, имеющие сертификат FM / Galvanize FM Trimler

Art. Nr.	DN
595911020	50 2"
595911030	65, 80 2.1/2", 3"
595911080	100, 125, 150, 200 4", 5", 6", 8"

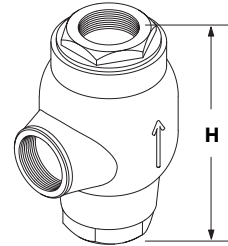
Residential Domestic Shut Off Valves Model RSV-1

- R** Узел управления для жилых помещений, модель RSV-1
- T** Konut Tipi Kullanım İçin Kesme Vanaları, Model RSV-1



 **TFP980**

Body: Bronze
Корпус: Бронза
Gövde: Bronz



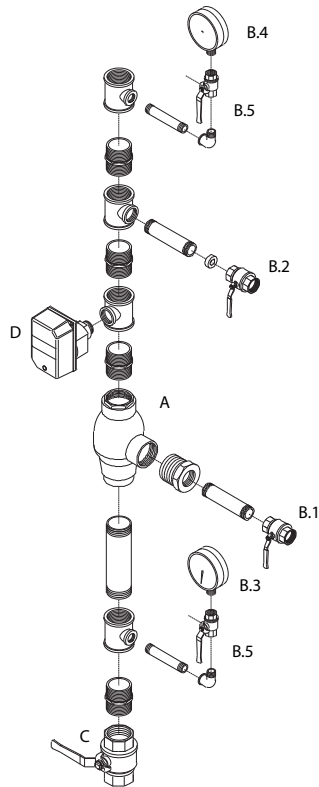
RSV-1

Model RSV-1

Art. Nr.	DN	H mm	Kg	≡
525401001	25 1"NPT	208	5	√
525401002	50 2"NPT	230.2	11	√

Residential Domestic Shut Off Valve Assembly/Узел управления для жилых помещений в комплекте с обвязкой/Konut Tipi Kullanıma Yönelik Kesme Vanası Tertibatı

Art. Nr.	DN	Kg	≡
RESRISER25	25 1"BSP	14.2	√



- Pos. Description**
- A Shut Off Valve**
 - B Shut Off Valve Trim:**
 - B.1 Domestic System**
 - B.2 Drain & Test**
 - B.3 Supply Pressure Gauge**
 - B.4 System Pressure Gauge**
 - B.5 Gauge Test Valve**
 - C Main Control Valve**
 - D Flow Switch VSR-SF**

- Poz. Описание**
- A Узел управления**
 - B Обвязка для узла управления, включающая следующие элементы:**
 - B.1 Отвод к внутреннему водоснабжению**
 - B.2 Клапан для тестирования и дренажа**
 - B.3 Манометр системы водоснабжения**
 - B.4 Манометр спринклерной системы**
 - B.5 Вентиль для манометра**
 - C Запорный клапан**
 - D Сигнализатор потока VSR-SF**

- Poz. Tanım**
- A Kesme Vanası**
 - B Kesme Vanası Trimi:**
 - B.1 Eviçi Sistem**
 - B.2 Boşaltma ve Deneme**
 - B.3 Besleme Basıncı için Manometre**
 - B.4 Sistem Basıncı için Manometre**
 - B.5 Manometre Deneme Vanası**
 - C Ana Kontrol Vanası**
 - D Akış Anahtarı VSR-SF**

Riser Manifold

- R** Коллектор для стояка
- T** Riser Manifoldu



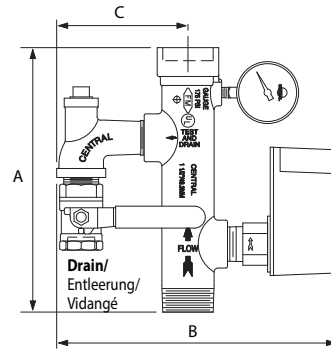
RISER MANIFOLD



TFP962

Body: **Steel**
Корпус: **Сталь**
Gövde: **Çelik**

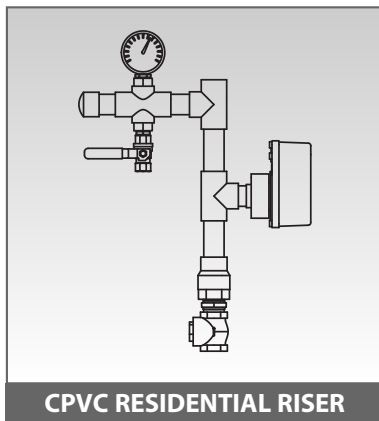
Coating: **Red Paint**
Покрытие: **Красная краска**
Kaplama: **Kırmızı Boya**



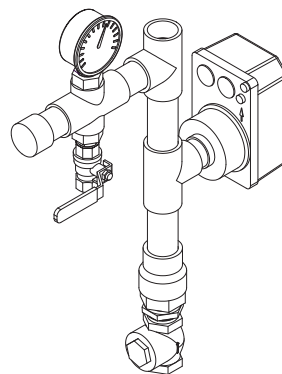
Art. Nr.	DN	Inlet Вход Giriş	Outlet Выход Çıkış	Drain Дренаж Boşaltma	A mm	B mm	C mm	kg	UL	FM	
4055	40	1.1/2"	Male/Наружная резьба/Erkek	Female/Внутренняя резьба/Dişi	1"	362	321	156	5.1	✓	✓
4056	40	1.1/2"	Male/Наружная резьба/Erkek	Male/Наружная резьба/Erkek	1"	362	321	156	5.1	✓	✓
4060F	50	2"	Grooved 60mm (OD) Для грувочного соединения 60 мм (внеш. диам.)/Yünlü 60mm (OD)	Grooved 60mm (OD) Для грувочного соединения 60 мм (внеш. диам.)/Yünlü 60mm (OD)	1"	426	332	136	6.1	✓	✓
4061	65	2.1/2"	Grooved 73mm (OD) Для грувочного соединения 73 мм (внеш. диам.)/Yünlü 73mm (OD)	Grooved 73mm (OD) Для грувочного соединения 73 мм (внеш. диам.)/Yünlü 73mm (OD)	1.1/4"	437	349	146	7.6	✓	✓
4062	80	3"	Grooved 89mm (OD) Для грувочного соединения 89 мм (внеш. диам.)/Yünlü 89mm (OD)	Grooved 89mm (OD) Для грувочного соединения 89 мм (внеш. диам.)/Yünlü 89mm (OD)	1.1/4"	437	362	152	8.5	✓	✓
4065F	100	4"	Grooved 114mm (OD) Для грувочного соединения 114 мм (внеш. диам.)/Yünlü 114mm (OD)	Grooved 114mm (OD) Для грувочного соединения 114 мм (внеш. диам.)/Yünlü 114mm (OD)	2"	521	422	192	14.8	✓	✓
4066	150	6"	Grooved 168mm (OD) Для грувочного соединения 168 мм (внеш. диам.)/Yünlü 168mm (OD)	Grooved 168mm (OD) Для грувочного соединения 168 мм (внеш. диам.)/Yünlü 168mm (OD)	2"	521	470	216	18.9	✓	✓

CPVC Residential Riser

- R** Стояк из ХПВХ для жилых помещений
- T** CPVC Konutsal Riser



CPVC RESIDENTIAL RISER



Art. Nr.	DN	Drain Дренаж Boşaltma	kg	≡	
RR025CPVC	25	1"BSP	3/4"	2.0	✓
RR032CPVC	32	1.1/4"BSP	1"	2.1	✓
RR040CPVC	40	1.1/2"BSP	1"	2.4	✓
RR050CPVC	50	2"BSP	1"	2.5	✓

Water Motor Alarm Model WMA-1

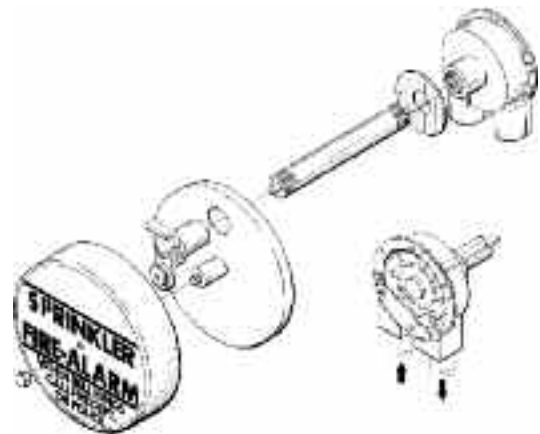
- R** Гидравлическая сирена, модель WMA-1
- T** Su Motorlu Alarm Gongu, Model WMA-1



WMA-1



TFP922



Water Motor Alarm/Гидравлическая сирена/Su Motorlu Alarm Gongu Model WMA-1

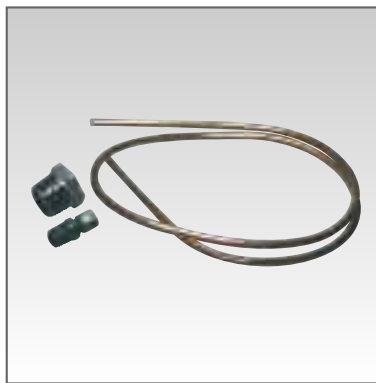
Art. Nr.	Description Описание Tanım	Inlet NPT Вход (резьба NPT) Giriş NPT	Outlet NPT Выход (резьба NPT) Çıkış NPT	kg	VDS	LPCB	FM	UL	CSIBOP	WMIPO	T/S/U	CE
526301021	WMA-1 + Trim/WMA-1 + обвязка/WMA-1 + Trim	3/4"ISO	1"ISO	5	✓	✓	✓	✓	✓	✓	✓	✓
526302002	Drain Trim/Обвязка для дренажа/Drenaj Trimı	-	-	2								



TFP920



522111002



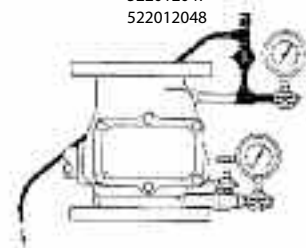
TFP910



522011012E



522012047
522012048



TFP930

Accessories / Принадлежности / Aksesuarlar

Art. Nr.	Description Описание Tanım
522111002	Retard Chamber RC-1/Замедляющая камера RC-1/Geciktirme Hücresi RC-1
522011012E	Vent Trim/Обвязка для выпуска воздуха/Havalandırma Trimı
522012047	Pressure Relief Trim/Обвязка для сброса давления/Basınç Rahatlatma Trimı [12.1 Bar]
522012048	Pressure Relief Trim/Обвязка для сброса давления/Basınç Rahatlatma Trimı [12.7 Bar]

Wet Pipe Valves, Butterfly Wafer, BW

- Узлы управления для водозаполненных систем, межфланцевый дроссельный клапан, модель BW
- Islak Alarm Vanaları, Flanşlı Kelebek Vanalar, BW

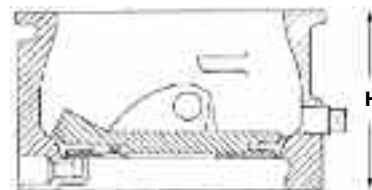


BW



AS114

Body: **Leaded Gunmetal**
 Корпус: Свинцовая орудийная бронза
 Gövde: Kurşunlu Topmetal



Model BW					
Art. Nr.	DN	H mm	⌀ Kg	IPCБ	
02394	80	3"	95	5	✓
02217	100	4"	115	9	✓
02188	150	6"	127	15	✓
02360	200	8"	160	27	✓

Fully Assembled/Полностью в сборе/Kurulumu yapılmış durumda		
Art. Nr.	DN	
02395	80	3"
02218	100	4"
02189	150	6"
02361	200	8"

Max. 16 Bar [230 Psi]
 25 Bar [360 Psi] available on request/
 вариант на 25 бар [360 фунтов на кв. дюйм] доступен под заказ/
 25 Bar [360 Psi] talep halinde mevcuttur

Alarm Valves, Wet Pipe Valves, L/W

- Узлы управления для водозаполненных систем, модель L/W
- Alarm Vanaları, Islak Boru Vanaları, L/W



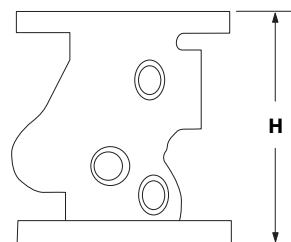
L/W



AS143

Body: **Cast Iron**
 Корпус: Ковкий чугун
 Gövde: Dökme Demir

Coating: **Red Paint**
 Покрытие: Красная краска
 Kaplama: Kırmızı Boya



Model L/W							
Art. Nr.	DN	H mm	⌀ Kg	IPCБ	FM	UL	
03534	65	2.1/2"	265	15	✓	✓	✓
03367G	80	3"	265	15	✓	✓	✓
03368	100	4"	254	25	✓	✓	✓
03369	150	6"	286	37	✓	✓	✓
03502	200	8"	343	50	✓	✓	✓

Max. 12 Bar [175 Psi]

Dry System Valves

R Узлы управления воздушных установок

T Kuru Alarm Vanaları

Model DPV-1

Модель DPV-1

Model DPV-1



P. 3.017

Assemblies DPV-1 with FM Trim DN65-100

Узлы управления DPV-1 с обвязкой, имеющей сертификат FM, DN65-100

DPV-1 Tertibatları, FM DN65-100 Trimi ile



P. 3.018

Assemblies DPV-1 with FM Trim DN150

Узлы управления DPV-1 с обвязкой, имеющей сертификат FM, DN150

DPV-1 Tertibatları, FM DN150 Trimi ile



P. 3.019

Assemblies DPV-1 with CE/VDS Trim DN100

Узлы управления DPV-1 с обвязкой, имеющей сертификаты CE/VDS, DN100

DPV-1 Tertibatları, CE/VDS DN100 Trimi ile



P. 3.020

Assemblies DPV-1 with CE/VDS Trim DN150

Узлы управления DPV-1 с обвязкой, имеющей сертификаты CE/VDS, DN150

DPV-1 Tertibatları, CE/VDS DN150 Trimi ile



P. 3.021

Assemblies DPV-1 with CE/FM Trim DN65-100

Узлы управления DPV-1 с обвязкой, имеющей сертификаты CE/FM, DN65-100

DPV-1 Tertibatları, CE/FM DN65-100 Trimi ile



P. 3.022

Assemblies DPV-1 with CE/FM Trim DN150

Узлы управления DPV-1 с обвязкой, имеющей сертификаты CE/FM, DN150

DPV-1 Tertibatları, CE/FM DN150 Trimi ile



P. 3.023

Quick Opening Devices Model QRS

Ускоритель, модель QRS

Hızlandırıcı, Model QRS



P. 3.024

Quick Opening Devices Model ACC-1

Ускоритель, модель ACC-1

Hızlandırıcı, Model ACC-1



P. 3.024

Air Maintenance Devices Model AMD-1

Устройства поддержания давления воздуха, модель AMD-1

Hava Tedarik Cihazları, Model AMD-1



P. 3.025

Air Maintenance Devices Model AMD-2

Устройства поддержания давления воздуха, модель AMD-2

Hava Tedarik Cihazları, Model AMD-2



P. 3.025

Dry System Valves

- Узлы управления для воздушных установок
- Kuru Alarm Vanaları

Air Feeding Devices Model LED20

Устройства подачи воздуха, модель LED20
Hava Besleme Cihazları, Model LED20



P. 3.026

Dry System Valves, Model DPV-1

R Узлы управления для воздушных установок, модель DPV-1

T Kuru Alarm Vanaları, Model DPV-1



DPV-1



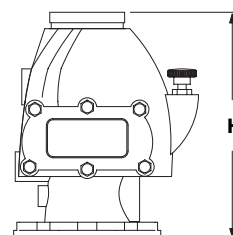
TFP 1020

Body:
Корпус:
Gövde:

Ductile Iron
Ковкий чугун
Duktül Demir

Coating:
Покрытие:
Kaplama:

Red Paint
Красная краска
Kırmızı Boya



Model DPV-1

Art. Nr.	DN	Drain Дренаж Drenaj	Inlet Вход Giriş	Outlet Выход Çıkış	H mm	kg	WIS	IPCB	CE	FM	UL	VMI/FO
523091940	65[76.1mm]	2.1/2"	1.1/2" BSP	GRV	GRV	311	25			✓	✓	✓
523091922	80	3"	2" BSP	GRV	GRV	311	25			✓	✓	✓
523091923	100	4"	2" BSP	GRV	GRV	346	30	✓	✓	✓	✓	✓
523091213	100	4"	2" BSP	PN10/16	GRV	346	36	✓	✓	✓	✓	✓
523091413	100	4"	2" NPT	ANSI 125	GRV	346	36	✓	✓	✓	✓	✓
523091113	100	4"	2" BSP	PN10/16	PN10	346	40	✓	✓	✓	✓	✓
523091013	100	4"	2" NPT	ANSI 125	ANSI 125	346	40	✓	✓	✓	✓	✓
523091925	150[168.3mm]	6"	2" BSP	GRV	GRV	406	60	✓	✓	✓	✓	✓
523091215	150[168.3mm]	6"	2" BSP	PN10/16	GRV	406	55	✓	✓	✓	✓	✓
523091315	150[165.1mm]	6"	2" BSP	PN10/16	GRV	406	55	✓	✓	✓	✓	✓
523091415	150[168.3mm]	6"	2" NPT	ANSI 125	GRV	406	55	✓	✓	✓	✓	✓
523091115	150	6"	2" BSP	PN10/16	PN10	406	60	✓	✓	✓	✓	✓
523091015	150	6"	2" NPT	ANSI 125	ANSI 125	406	60	✓	✓	✓	✓	✓

Max. 17.2 Bar [250 Psi]

FM Trims Galvanized / Оцинкованные обвязки, имеющие сертификат FM / Galvanize FM Trimler

Art. Nr.	DN
523092005E	65-80 2.1/2"- 3"
523092001E	100 4"
523092002E	150 6"

CE/FM Trims Galvanized / CE/Оцинкованные обвязки, имеющие сертификаты CE/FM / Galvanize CE/FM Trimler

Art. Nr.	DN
CE080DPV1	65-80 2.1/2"- 3"
CE100DPV1	100 4"
CE150DPV1	150 6"

Dry System Valve Assemblies DPV-1 with FM Trim DN65-100

- R** Узлы управления для воздушных установок с обвязкой, имеющей сертификат FM, DN65-100
- T** Kuru Alarm Vanası DPV-1 Tertibatları, FM DN65-100 Trimi ile



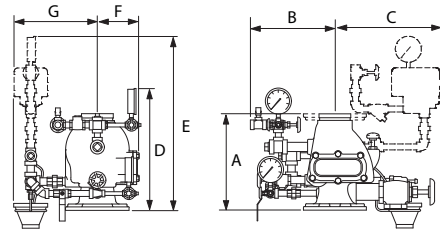
TFP1020

Body:
Корпус:
Gövde:

Ductile Iron
Ковкий чугун
Duktil Demir

Coating:
Покрытие:
Kaplama:

Red Paint
Красная краска
Kırmızı Boya



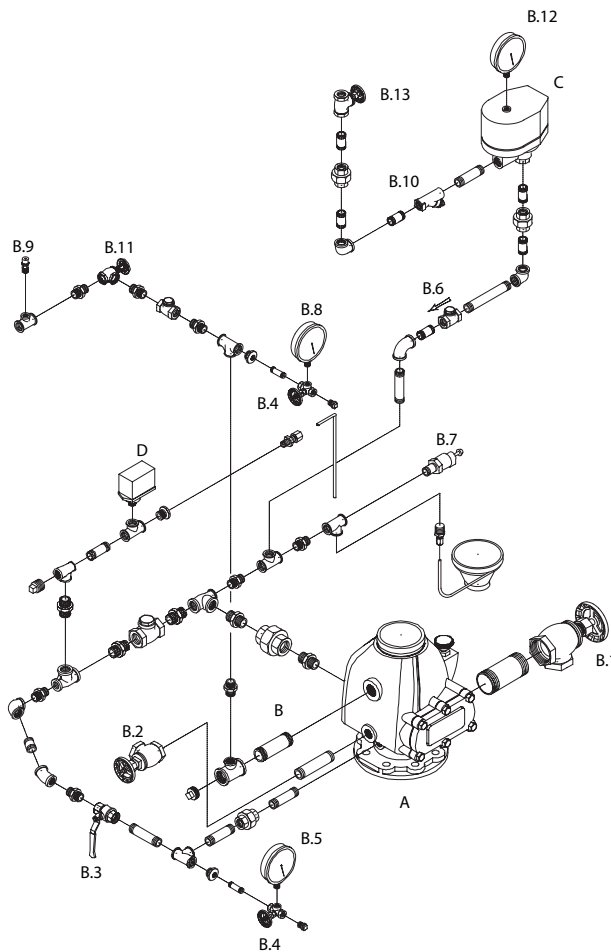
Standard Assembly:
Dry Alarm Valve [DPV-1]
Accelerator [ACC-1]
Pressure Alarm Switch [PS10-1]
No Stop Valve*

Комплект узла управления:
Узел управления для воздушной установки [DPV-1] с обвязкой
Ускоритель [ACC-1]
Сигнализатор давления [PS101]
Запорная арматура не входит в комплект*

Standart Tertibat:
Kuru Alarm Vanası [DPV-1]
Hızlandırıcı [ACC-1]
Basınç Alarm Anahtarı [PS10-1]
No Stop Vanası*

*For Stop Valve see chapter 3, needs to be ordered separately/Запорная арматура заказывается отдельно (см. раздел 3)/Durdurma Vanası için 3. bölüme bakınız, özel olarak sipariş edilmelidir

Art. Nr.	DN	Inlet Вход Giriş	Outlet Выход Çıkış	A mm	B mm	C mm	D mm	E mm	F mm	G mm	Q Kg
2B07200101	65[76.1mm]	2.1/2"	GRV	305	385	240	595	210	175		29
2B37200101	80	3"	GRV	305	385	240	595	210	175		35
2747200101	100	4"	PN10/16	346	300	380	440	625	150	300	58
2847200101	100[114.3mm]	4"	PN10/16	346	300	380	440	625	150	300	54
2B47200101	100[114.3mm]	4"	GRV	346	300	380	440	625	150	300	47



- Pos. Description**
- A Dry Alarm Valve DPV-1**
B Alarm Valve Trim, including:
B.1 Main Drain Valve
B.2 Low Body Drain Valve
B.3 Alarm Test Valve
B.4 Gauge Test Valve
B.5 Water Supply Pressure Gauge
B.6 Check Valve
B.7 Automatic Drain Valve
B.8 System Air Pressure Gauge
B.9 Pressure Relief Valve
B.10 Strainer
B.11 Air Supply Control Valve
B.12 Accelerator Pressure Gauge
B.13 Accelerator Control Valve
C Accelerator ACC-1
D Pressure Alarm Switch PS10-1
- Поз. Описание**
- A Узел управления для воздушной установки [DPV-1]**
B Обвязка узла управления, включающая следующие элементы:
B.1 Главный дренажный клапан
B.2 Вспомогательный дренажный клапан
B.3 Кран шаровой для тестирования
B.4 Вентиль для манометра
B.5 Манометр системы водоснабжения
B.6 Обратный клапан
B.7 Автоматический дренажный клапан
B.8 Манометр, показывающий давление воздуха в системе
B.9 Клапан сброса давления
B.10 Фильтр
B.11 Контрольный клапан системы подачи воздуха
B.12 Манометр для ускорителя
B.13 Контрольный клапан для ускорителя
C Ускоритель ACC-1
D Сигнализатор давления PS10-1
- Pos. Tanım**
- A Kuru Alarm Vanası DPV-1**
B Alarm vanası trimi bu parçalardan oluşmaktadır:
B.1 Ana Drenaj Vanası
B.2 Alt Gövde Drenaj Vanası
B.3 Alarm Demene Vanası
B.4 Manometre Deneme Vanası
B.5 Su Besleme Basıncı için Manometre
B.6 Geri Tepme Emniyet Vanası
B.7 Otomatik Drenaj Vanası
B.8 Sistem Basıncı için Manometre
B.9 Basınç Tahliye Vanası
B.10 Pislik Tutucu (Süzgeç)
B.11 Hava Besleme Kontrol Vanası
B.12 Hızlandırıcı Basınç Ölçeri
B.13 Hızlandırıcı Kontrol Vanası
C Hızlandırıcı ACC-1
D Basınç Alarm Anahtarı PS10-1

Drawing is 4" Flange x Groove Valve
На рисунке показан узел управления DN100 (фланец x гравюльное соединение)
Çizim 4" Flanşlı x Yivli Vanadır

Dry System Valve Assemblies, DPV-1 with FM Trim DN150

- R** Узлы управления для воздушных установок с обвязкой, имеющей сертификат FM, DN150
- T** Kuru Alarm Vanası DPV-1 Tertibatları, FM DN150 Trimi ile



DPV-1 FM DN150



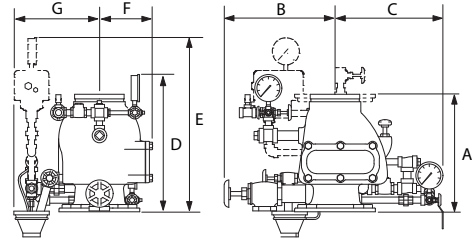
TFP1020

Body:
Корпус:
Gövde:

Ductile Iron
Ковкий чугун
Duktül Demir

Coating:
Покрытие:
Kaplama:

Red Paint
Красная краска
Kırmızı Boya



Standard Assembly:
Dry Alarm Valve [DPV-1]
Accelerator [ACC-1]
Pressure Alarm Switch [PS10-1]
No Stop Valve*

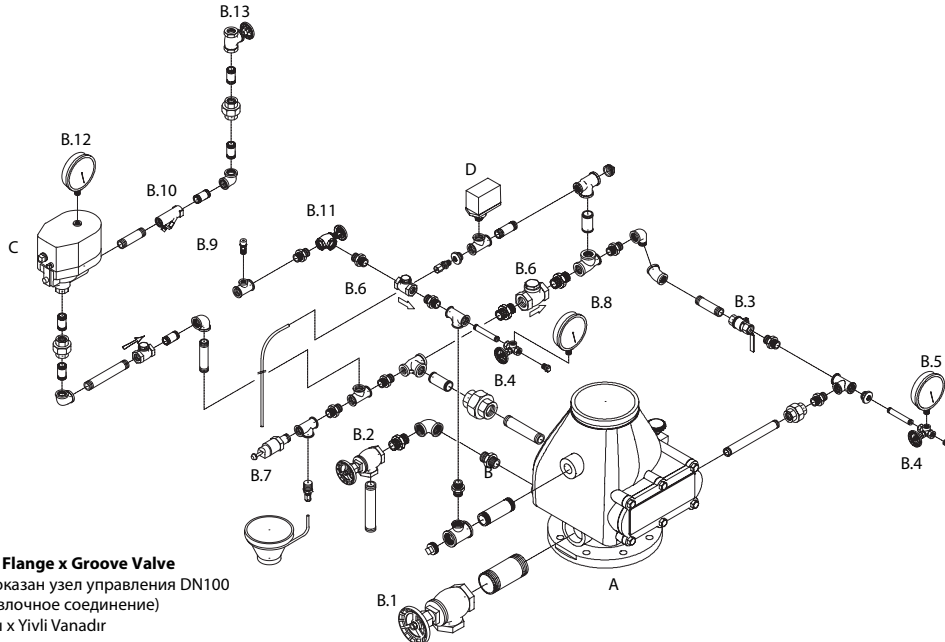
Комплект узла управления:
Узел управления для воздушной установки [DPV-1] с обвязкой
Ускоритель [ACC-1]
Сигнализатор давления [PS101]
Запорная арматура не входит в комплект*

Standart Tertibat:
Kuru Alarm Vanası [DPV-1]
Hızlandırıcı [ACC-1]
Basınç Alarm Anahtarı [PS10-1]
No Stop Vanası*

*For Stop Valve see chapter 3, needs to be ordered separately/Запорная арматура заказывается отдельно (см. раздел 3)/Durdurma Vanası için 3. bölüme bakınız, özel olarak sipariş edilmelidir

Art. Nr.	DN		Inlet Вход Giriş	Outlet Выход Çıkış	A mm	B mm	C mm	D mm	E mm	F mm	G mm	kg
2767200101	150	6"6	PN10/16	PN10/16	406	380	375	475	600	190	290	78
2867200101	150	[168.3mm] "	PN10/16	GRV	406	380	375	475	600	190	290	73
2B67200101	150	[168.3mm] 6"	GRV	GRV	406	380	375	475	600	190	290	78

Other options available on request/Другие варианты доступны под заказ/ Diğer seçenekler talep üzerine mevcuttur



Drawing is 4" Flange x Groove Valve
На рисунке показан узел управления DN100
(фланец x грунтоочное соединение)
Çizim 4" Flanşlı x Yivli Vanadır

Pos. Description
A Dry Alarm Valve DPV-1
B Alarm Valve Trim, including:
B.1 Main Drain Valve
B.2 Low Body Drain Valve
B.3 Alarm Test Valve
B.4 Gauge Test Valve
B.5 Water Supply Pressure Gauge
B.6 Check Valve
B.7 Automatic Drain Valve
B.8 System Air Pressure Gauge
B.9 Pressure Relief Valve
B.10 Strainer
B.11 Air Supply Control Valve
B.12 Accelerator Pressure Gauge
B.13 Accelerator Control Valve
C Accelerator ACC-1
D Pressure Alarm Switch PS10-1

Поз. Описание
A Узел управления для воздушной установки [DPV-1]
B Обвязка узла управления, включающая следующие элементы:
B.1 Главный дренажный клапан
B.2 Вспомогательный дренажный клапан
B.3 Кран шаровой для тестирования
B.4 Вентиль для манометра
B.5 Манометр системы водоснабжения
B.6 Обратный клапан
B.7 Автоматический дренажный клапан
B.8 Манометр, показывающий давление воздуха в системе
B.9 Клапан сброса давления
B.10 Фильтр
B.11 Контрольный клапан системы подачи воздуха
B.12 Манометр для ускорителя
B.13 Контрольный клапан для ускорителя
C Ускоритель ACC-1
D Сигнализатор давления PS10-1

Pos. Tanım
A Kuru Alarm Vanası DPV-1
B Alarm vanası trimi bu parçalardan oluşmaktadır:
B.1 Ana Drenaj Vanası
B.2 Alt Gövde Drenaj Vanası
B.3 Alarm Deneme Vanası
B.4 Ölçer Deneme Vanası
B.5 Su Besleme Basıncı için Basınç Ölçeri
B.6 Geri Tepme Emniyet Vanası
B.7 Otomatik Drenaj Vanası
B.8 Sistem Basıncı için Manometre
B.9 Basınç Tahliye Vanası
B.10 Pislik Tutucu (Süzgeç)
B.11 Hava Besleme Kontrol Vanası
B.12 Hızlandırıcı Basınç Ölçeri
B.13 Hızlandırıcı Kontrol Vanası
C Hızlandırıcı ACC-1
D Basınç Alarm Anahtarı PS10-1

Dry System Valve Assemblies, DPV-1 with CE/VDS Trim DN100

- R** Узлы управления для воздушных установок с обвязкой, имеющей сертификаты CE/VDS, DN100
- T** Kuru Alarm Vanası DPV-1 Tertibatları, CE/VDS DN100 Trimi ile



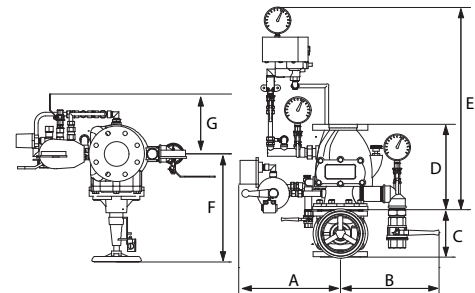
TFP1090

Body:
Корпус:
Gövde:

Ductile Iron
Ковкий чугун
Duktil Demir

Coating:
Покрытие:
Kaplama:

Red Paint
Красная краска
Kırmızı Boya



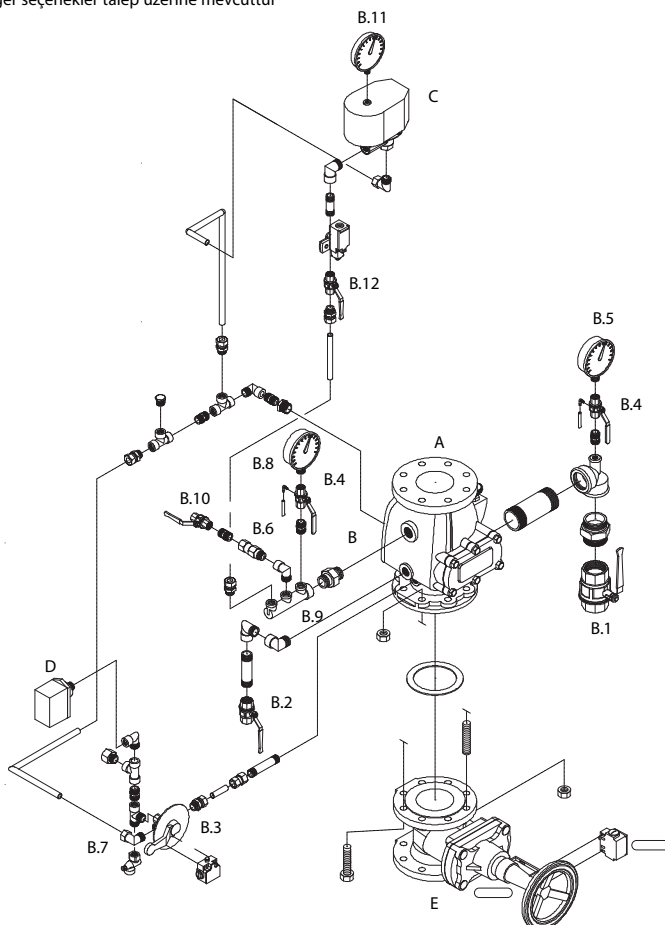
Standard Assembly:
Dry Alarm Valve [DPV-1]
Accelerator [ACC-1]
Pressure Alarm Switch [PS10-1]
Gate Valve [0547] supervised

Комплект узла управления:
Узел управления для воздушной установки [DPV-1] с обвязкой
Ускоритель [ACC-1]
Сигнализатор давления [PS101]
Задвижка шиберная 05-47 с индикацией

Standart Tertibat:
Kuru Alarm Vanası [DPV-1]
Hızlandırıcı [ACC-1]
Basınç Alarm Anahtarı [PS10-1]
Kesme vanası [0547], süpervizyonlu

Art. Nr.	DN	Inlet Вход Giriş	Outlet Выход Çıkış	A mm	B mm	C mm	D mm	E mm	F mm	G mm	Q Kg	
2748861105	100	4"	PN10/16	PN10/16	412	400	193	346	820	438	243	85
2848861105	100	[1143mm] 4"	PN10/16	GRV	412	400	193	346	820	438	243	81

Other options available on request/Другие варианты доступны под заказ/
Diğer seçenekler talep üzerine mevcuttur



- | | |
|-------------|--|
| Pos. | Description |
| A | Dry Alarm Valve DPV-1 |
| B | Alarm Valve Trim, including: |
| B.1 | Main Drain Valve |
| B.2 | Low Body Drain Valve |
| B.3 | Alarm Test Shut Off Valve 3-way [supervised] |
| B.4 | Gauge Test Valve |
| B.5 | Water Supply Pressure Gauge |
| B.6 | Check Valve |
| B.7 | Automatic Drain Valve |
| B.8 | System Air Pressure Gauge |
| B.9 | Manifold |
| B.10 | Air Supply Control Valve |
| B.11 | Accelerator Pressure Gauge |
| B.12 | Accelerator Control Valve [supervised] |
| C | Accelerator ACC-1 |
| D | Pressure Alarm Switch PS10-1 |
| E | Supervised Gate Valve [05-47] |
| Поз. | Описание |
| A | Узел управления для воздушной установки [DPV-1] |
| B | Обвязка узла управления, включающая следующие элементы: |
| B.1 | Главный дренажный клапан |
| B.2 | Вспомогательный дренажный клапан |
| B.3 | 3-х позиционный клапан для тестирования системы (с индикацией) |
| B.4 | Вентиль для манометра |
| B.5 | Манометр системы водоснабжения |
| B.6 | Обратный клапан |
| B.7 | Автоматический дренажный клапан |
| B.8 | Манометр, показывающий давление воздуха в системе |
| B.9 | Коллектор |
| B.10 | Контрольный клапан системы подачи воздуха |
| B.11 | Манометр для ускорителя |
| B.12 | Контрольный клапан для ускорителя с индикацией |
| C | Ускоритель ACC-1 |
| D | Сигнализатор давления PS10-1 |
| E | Задвижка шиберная 05-47 с индикацией |
| Pos. | Tanım |
| A | Kuru Alarm Vanası DPV-1 |
| B | Alarm vanası trimi bu parçalardan oluşmaktadır: |
| B.1 | Ana Drenaj Vanası |
| B.2 | Alt Gövde Drenaj Vanası |
| B.3 | Alarm Deneme Kesme Vanası, 3 yollu [süpervizyonlu] |
| B.4 | Ölçer Deneme Vanası |
| B.5 | Su Besleme Basıncı için Basınç Ölçeri |
| B.6 | Geri Tepme Emniyet Vanası |
| B.7 | Otomatik Drenaj Vanası |
| B.8 | Sistem Basıncı için Manometre |
| B.9 | Manifold |
| B.10 | Hava Besleme Kontrol Vanası |
| B.11 | Hızlandırıcı Basınç Ölçeri |
| B.12 | Hızlandırıcı Kontrol Vanası [süpervizyonlu] |
| C | Hızlandırıcı ACC-1 |
| D | Basınç Alarm Anahtarı PS10-1 |
| E | Süpervizyonlu Kesme Vanası [05-47] |

Dry System Valve Assemblies, DPV-1 with CE/VDS Trim DN150

- R** Узлы управления для воздушных установок с обвязкой, имеющей сертификаты CE/VDS, DN150
- T** Kuru Alarm Vanası DPV-1 Tertibatları, CE/VDS DN150 Trimi ile

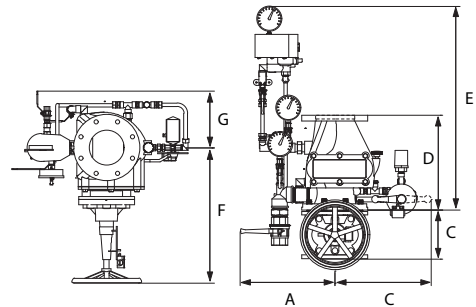


Body:
Корпус:
Gövde:

Ductile Iron
Ковкий чугун
Duktil Demir

Coating:
Покрытие:
Kaplama:

Red Paint
Красная краска
Kırmızı Boya



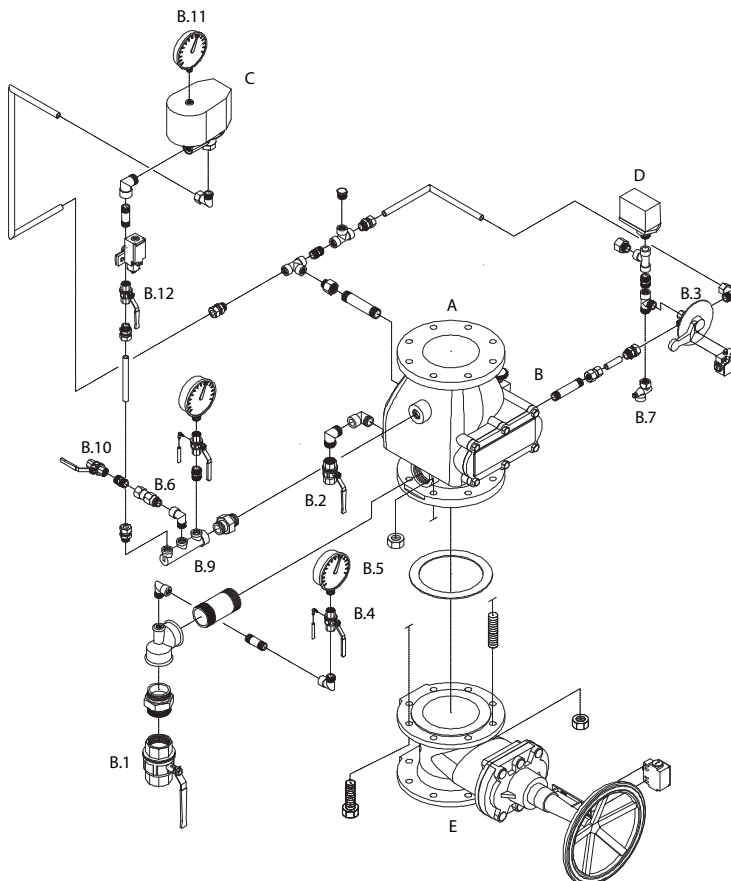
Standard Assembly:
Dry Alarm Valve [DPV-1]
Accelerator [ACC-1]
Pressure Alarm Switch [PS10-1]
Gate Valve [0547] supervised

Комплект узла управления:
Узел управления для воздушной установки [DPV-1] с обвязкой
Ускоритель [ACC-1]
Сигнализатор давления [PS101]
Задвижка шиберная 05-47 с индикацией

Standart Tertibat:
Kuru Alarm Vanası [DPV-1]
Hızlandırıcı [ACC-1]
Basınç Alarm Anahtarı [PS10-1]
Kesme vanası [0547], süpervizyonlu

Art. Nr.	DN	Inlet Вход Giriş	Outlet Выход Çıkış	A mm	B mm	C mm	D mm	E mm	F mm	G mm	Ø Kg
2768861105	150	6"	PN10/16	407	414	213	406	875	583	243	122
2868861105	150 [168.3mm]	6"	PN10/16	407	414	213	406	875	583	243	117
2B68800101	150 [168.3mm]	6"	GRV	407	414	153	406	875	190	243	77

Other options available on request/Другие варианты доступны под заказ/
Diğer seçenekler talep üzerine mevcuttur



- Pos. Description**
- A Dry Alarm Valve DPV-1**
 - B Alarm Valve Trim, including:**
 - B.1 Main Drain Valve**
 - B.2 Low Body Drain Valve**
 - B.3 Alarm Test Shut Off Valve 3-way [supervised]**
 - B.4 Gauge Test Valve**
 - B.5 Water Supply Pressure Gauge**
 - B.6 Check Valve**
 - B.7 Automatic Drain Valve**
 - B.8 System Air Pressure Gauge**
 - B.9 Manifold**
 - B.10 Air Supply Control Valve**
 - B.11 Accelerator Pressure Gauge**
 - B.12 Accelerator Control Valve [supervised]**
 - C Accelerator ACC-1**
 - D Pressure Alarm Switch PS10-1**
 - E Supervised Gate Valve [05-47]**
- Поз. Описание**
- A Узел управления для воздушной установки [DPV-1]**
 - B Обвязка узла управления, включающая следующие элементы:**
 - B.1 Главный дренажный клапан**
 - B.2 Вспомогательный дренажный клапан**
 - B.3 3-х позиционный клапан для тестирования системы (с индикацией)**
 - B.4 Вентиль для манометра**
 - B.5 Манометр системы водоснабжения**
 - B.6 Обратный клапан**
 - B.7 Автоматический дренажный клапан**
 - B.8 Манометр, показывающий давление воздуха в системе**
 - B.9 Коллектор**
 - B.10 Контрольный клапан системы подачи воздуха**
 - B.11 Манометр для ускорителя**
 - B.12 Контрольный клапан для ускорителя с индикацией**
 - C Ускоритель ACC-1**
 - D Сигнализатор давления PS10-1**
 - E Задвижка шиберная 05-47 с индикацией**
- Poz. Tanım**
- A Kuru Alarm Vanası DPV-1**
 - B Alarm vanası trimi bu parçalardan oluşmaktadır:**
 - B.1 Ana Drenaj Vanası**
 - B.2 Alt Gövde Drenaj Vanası**
 - B.3 Alarm Deneme Kesme Vanası, 3 yollu [süpervizyonlu]**
 - B.4 Ölçer Deneme Vanası**
 - B.5 Su Besleme Basıncı için Basınç Ölçeri**
 - B.6 Geri Tepme Emniyet Vanası**
 - B.7 Otomatik Drenaj Vanası**
 - B.8 Sistem Basıncı için Ölçer**
 - B.9 Manifold**
 - B.10 Hava Besleme Kontrol Vanası**
 - B.11 Hızlandırıcı Basınç Ölçeri**
 - B.12 Hızlandırıcı Kontrol Vanası [süpervizyonlu]**
 - C Hızlandırıcı ACC-1**
 - D Basınç Alarm Anahtarı PS10-1**
 - E Süpervizyonlu Kesme Vanası [05-47]**

Dry System Valve Assemblies, DPV-1 with CE/FM Trim DN65-100

- R** Узлы управления для воздушных установок с обвязкой, имеющей сертификаты CE/FM, DN65-100
- T** Kuru Alarm Vanası DPV-1 Tertibatları, CE/FM DN65-100 Trimi ile



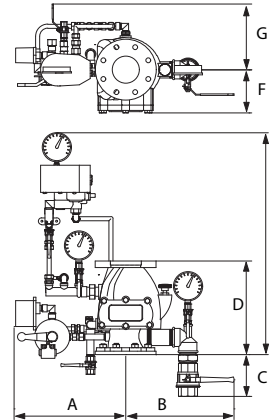
TFP1090

Body:
Корпус:
Gövde:

Ductile Iron
Ковкий чугун
Duktil Demir

Coating:
Покрытие:
Kaplama:

Red Paint
Красная краска
Kırmızı Boya



Standard Assembly:
Dry Alarm Valve [DPV-1]
Accelerator [ACC-1]
Pressure Alarm Switch [PS10-1]
No stop Valve*

Комплект узла управления:
Узел управления для воздушной установки [DPV-1] с обвязкой
Ускоритель [ACC-1]
Сигнализатор давления [PS101]
Запорная арматура не входит в комплект*

Standart Tertibat:
Kuru Alarm Vanası [DPV-1]
Hızlandırıcı [ACC-1]
Basınç Alarm Anahtarı [PS10-1]
No stop Vanası*

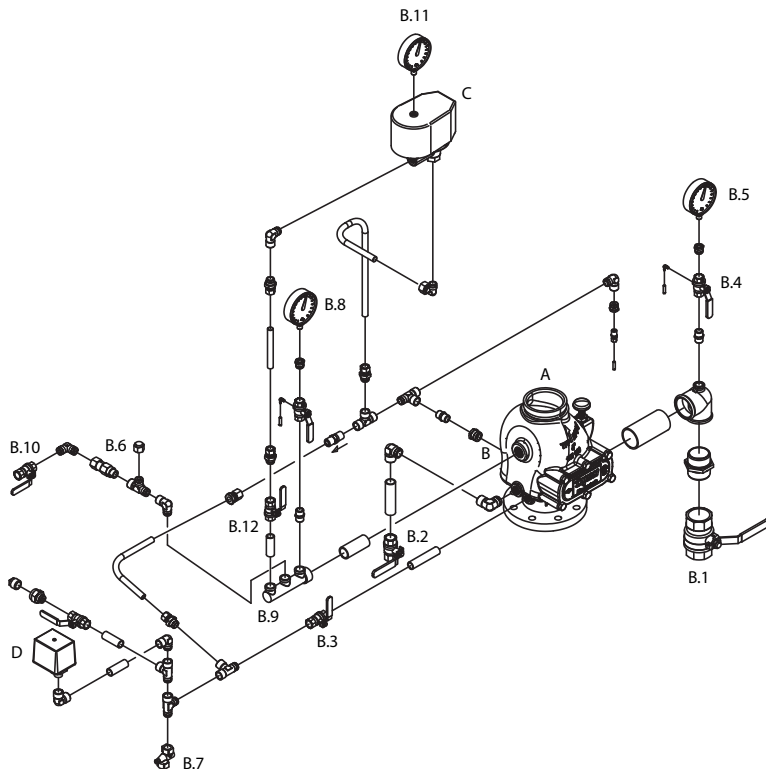
*For Stop Valve see chapter 3, needs to be ordered separately/Запорная арматура заказывается отдельно (см. раздел 3)/Durdurma Vanası için 3. bölüme bakınız, özel olarak sipariş edilmelidir

Art. Nr.	DN	Inlet Вход Giriş	Outlet Выход Çıkış	A mm	B mm	C mm	D mm	E mm	F mm	G mm	Q Kg
2B08900101*	65 [76.1mm]	2.1/2"	GRV	395	263	116	311		124	193	
2B38900101*	80	3"	GRV								
2748900101	100	4"	GRV	407	376	137	349	438	150	193	
2848900101	100	4"	PN10/16	407	376	137	349	438	150	193	
2B48900101	100	4"	PN10/16	407	376	137	349	438	150	193	

*No CE

Other options available on request/Другие варианты доступны под заказ/
Diğer seçenekler talep üzerine mevcuttur

- Pos. Description**
- A Dry Alarm Valve DPV-1**
 - B Alarm Valve Trim, including:**
 - B.1 Main Drain Valve**
 - B.2 Low Body Drain Valve**
 - B.3 Alarm Test Shut Off Valve 3-way [supervised]**
 - B.4 Gauge Test Valve**
 - B.5 Water Supply Pressure Gauge**
 - B.6 Check Valve**
 - B.7 Automatic Drain Valve**
 - B.8 System Air Pressure Gauge**
 - B.9 Manifold**
 - B.10 Air Supply Control Valve**
 - B.11 Accelerator Pressure Gauge**
 - B.12 Accelerator Control Valve [supervised]**
 - C Accelerator ACC-1**
 - D Pressure Alarm Switch PS10-1**
- Pos. Описание**
- A Узел управления для воздушной установки [DPV-1]**
 - B Обвязка узла управления, включающая следующие элементы:**
 - B.1 Главный дренажный клапан**
 - B.2 Вспомогательный дренажный клапан**
 - B.3 3-х позиционный клапан для тестирования системы (с индикацией)**
 - B.4 Вентиль для манометра**
 - B.5 Манометр системы водоснабжения**
 - B.6 Обратный клапан**
 - B.7 Автоматический дренажный клапан**
 - B.8 Манометр, показывающий давление воздуха в системе**
 - B.9 Коллектор**
 - B.10 Контрольный клапан системы подачи воздуха**
 - B.11 Манометр для ускорителя**
 - B.12 Контрольный клапан для ускорителя с индикацией**
 - C Ускоритель ACC-1**
 - D Сигнализатор давления PS10-1**
- Pos. Tanım**
- A Kuru Alarm Vanası DPV-1**
 - B Alarm vanası trimi bu parçalardan oluşmaktadır:**
 - B.1 Ana Drenaj Vanası**
 - B.2 Alt Gövde Drenaj Vanası**
 - B.3 Alarm Deneme Kesme Vanası, 3 yollu [süpervizyonlu]**
 - B.4 Ölçer Deneme Vanası**
 - B.5 Su Besleme Basıncı için Basınç Ölçeri**
 - B.6 Geri Tepme Emniyet Vanası**
 - B.7 Otomatik Drenaj Vanası**
 - B.8 Sistem Basıncı için Ölçer**
 - B.9 Manifold**
 - B.10 Hava Besleme Kontrol Vanası**
 - B.11 Hızlandırıcı Basınç Ölçeri**
 - B.12 Hızlandırıcı Kontrol Vanası [süpervizyonlu]**
 - C Hızlandırıcı ACC-1**
 - D Basınç Alarm Anahtarı PS10-1**



Dry System Valve Assemblies, DPV-1 with CE/FM Trim DN150

- R** Узлы управления для воздушных установок с обвязкой, имеющей сертификаты CE/FM, DN150
- T** Kuru Alarm Vanası DPV-1 Tertibatları, CE/FM DN150 Trimi ile



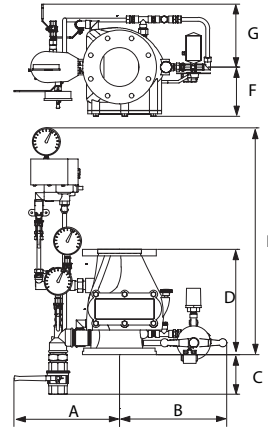
TFP1090

Body:
Корпус:
Gövde:

Ductile Iron
Ковкий чугун
Duktil Demir

Coating:
Покрытие:
Kaplama:

Red Paint
Красная краска
Kırmızı Boya



Standard Assembly:
Dry Alarm Valve [DPV-1]
Accelerator [ACC-1]
Pressure Alarm Switch [PS10-1A]
No stop Valve*

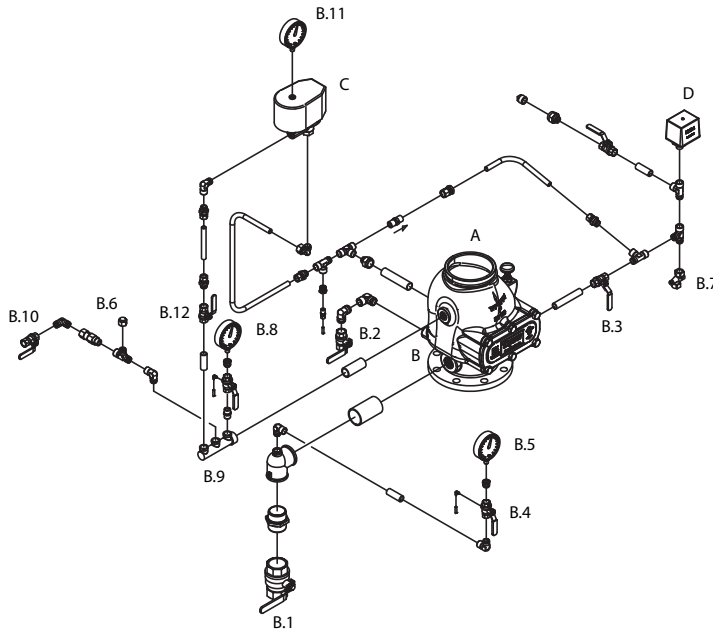
Комплект узла управления:
Узел управления для воздушной установки [DPV-1] с обвязкой
Ускоритель [ACC-1]
Сигнализатор давления [PS101]
Запорная арматура не входит в комплект*

Standart Tertibat:
Kuru Alarm Vanası [DPV-1]
Hızlandırıcı [ACC-1]
Basınç Alarm Anahtarı [PS10-1A]
No stop Vanası*

*For Stop Valve see chapter 3, needs to be ordered separately/Запорная арматура заказывается отдельно (см. раздел 3)/Durdurma Vanası için 3. bölüme bakınız, özel olarak sipariş edilmelidir

Art. Nr.	DN		Inlet Вход Giriş	Outlet Выход Çıkış	A mm	B mm	C mm	D mm	E mm	F mm	G mm	Q Kg
2B68900101	150 [168.3mm]	6"	GRV	GRV	339	375	135	406	415	184	193	73
2768900101	150	6"	PN10/16	PN10/16	339	375	135	406	415	184	193	68
2868900101	150 [168.3mm]	6"	PN10/16	GRV	339	375	135	406	415	184	193	77

Other options available on request/Другие варианты доступны под заказ/ Diğer seçenekler talep üzerine mevcuttur



- Pos. Description**
- A** Dry Alarm Valve DPV-1
 - B** Alarm Valve Trim, including:
 - B.1** Main Drain Valve
 - B.2** Low Body Drain Valve
 - B.3** Alarm Test Shut Off Valve 3-way [supervised]
 - B.4** Gauge Test Valve
 - B.5** Water Supply Pressure Gauge
 - B.6** Check Valve
 - B.7** Automatic Drain Valve
 - B.8** System Air Pressure Gauge
 - B.9** Manifold
 - B.10** Air Supply Control Valve
 - B.11** Accelerator Pressure Gauge
 - B.12** Accelerator Control Valve [supervised]
 - C** Accelerator ACC-1
 - D** Pressure Alarm Switch PS10-1
- Поз. Описание**
- A** Узел управления для воздушной установки [DPV-1]
 - B** Обвязка узла управления, включающая следующие элементы:
 - B.1** Главный дренажный клапан
 - B.2** Вспомогательный дренажный клапан
 - B.3** 3-х позиционный клапан для тестирования системы (с индикацией)
 - B.4** Вентиль для манометра
 - B.5** Манометр системы водоснабжения
 - B.6** Обратный клапан
 - B.7** Автоматический дренажный клапан
 - B.8** Манометр, показывающий давление воздуха в системе
 - B.9** Коллектор
 - B.10** Контрольный клапан системы подачи воздуха
 - B.11** Манометр для ускорителя
 - B.12** Контрольный клапан для ускорителя с индикацией
 - C** Ускоритель ACC-1
 - D** Сигнализатор давления PS10-1
- Poz. Tanım**
- A** Kuru Alarm Vanası DPV-1
 - B** Alarm vanası trimi bu parçalardan oluşmaktadır:
 - B.1** Ana Drenaj Vanası
 - B.2** Alt Gövde Drenaj Vanası
 - B.3** Alarm Deneme Kesme Vanası, 3 yollu [süpervizyonlu]
 - B.4** Ölçer Deneme Vanası
 - B.5** Su Besleme Basıncı için Basınç Ölçeri
 - B.6** Geri Tepme Emniyet Vanası
 - B.7** Otomatik Drenaj Vanası
 - B.8** Sistem Basıncı için Ölçer
 - B.9** Manifold
 - B.10** Hava Besleme Kontrol Vanası
 - B.11** Hızlandırıcı Basınç Ölçeri
 - B.12** Hızlandırıcı Kontrol Vanası [süpervizyonlu]
 - C** Hızlandırıcı ACC-1
 - D** Basınç Alarm Anahtarı PS10-1

Dry System Valves, Quick Opening Devices

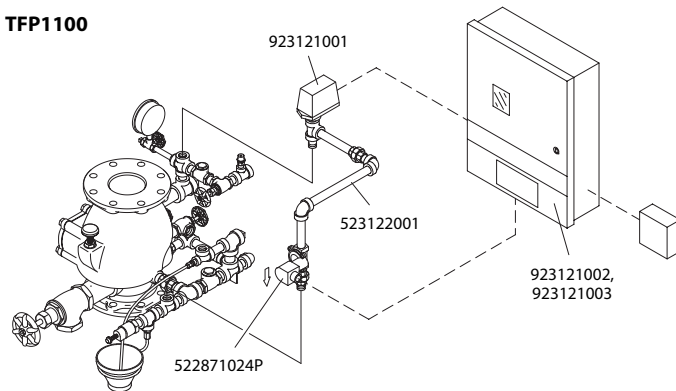
- R** Узлы управления для воздушных установок, ускорители
- T** Kuru Alarm Vanaları, Hızlı Hava Boşaltma Cihazları



QRS



TFP1100



Model QRS

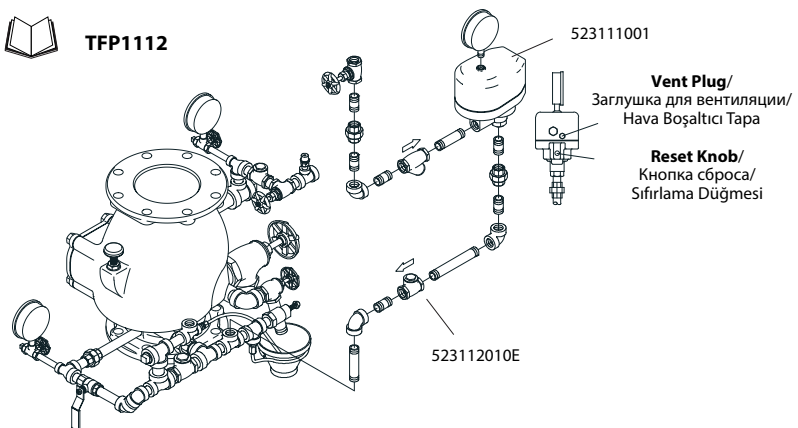
Art. Nr.	Description Описание Тайп	FM	UL
923121001	Quick Release Switch / Реле быстрого переключения / Hızlı Boşaltma Anahtarı	✓	✓
522871024P	Solenoid Valve / Клапан с соленоидом / Solenoid Vana	✓	✓
523122001	Trim / Обвязка / Trim	✓	✓
923121002	PFC-100RC Releasing Panel / PFC-100RC Панель управления / PFC-100RC Kontrol Birimi	✓	✓
923121003	BT-40 4.0 AH Battery [2 x req.] / Аккумуляторная батарея BT-40, 4 Ач (необходимо 2 шт.) / BT-40 4.0 AH Pili [2 adet]	✓	✓



ACC-1



TFP1112



Model ACC-1

Art. Nr.	Description Описание Тайп	VDS	IPCB	FM	UL
523111001	Accelerator ACC-1 / Ускоритель ACC-1 / Hızlandırıcı ACC-1	✓	✓	✓	✓
523112010E	Trim / Обвязка / Trim	✓	✓	✓	✓

*For applicable approved Assemblies/Для соответствующих узлов управления в комплекте с обвязками/Kullanima uygun onay almış tertibatlar için

Air Maintenance Devices, Model AMD-1 & AMD-2

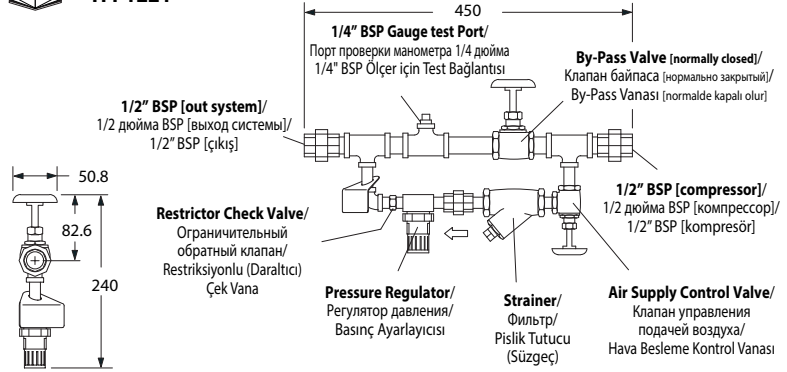
- R** Устройства поддержания давления воздуха, модель AMD-1 и AMD-2
- T** Hava Tedarik Cihazları, Model AMD-1 ve AMD-2



AMD-1



TFP1221



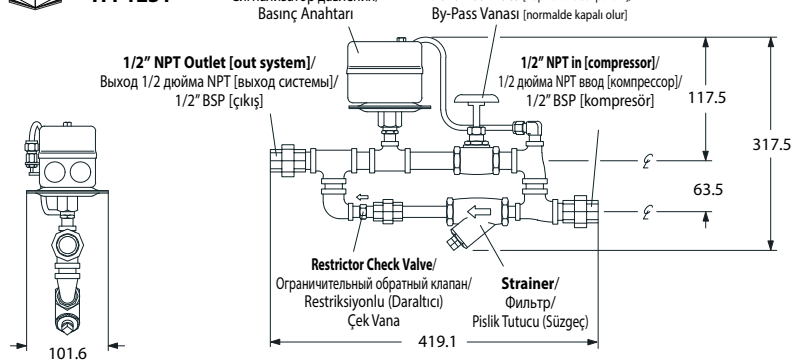
Model AMD-1			
Art. Nr.	Description	FM	UL
523242002E	Pressure Reducing Type / Редуктор давления / Basın Düşürücü	✓	✓



AMD-2



TFP1231



Model AMD-2			
Art. Nr.	Description	FM	UL
523262001	Compressor [w/o Tank] Control Type / Компрессор [без резервуара] управляемого типа / Kompresör [Tanksız] Kontrol Tip	✓	✓

Air Feeding Devices Model LED20

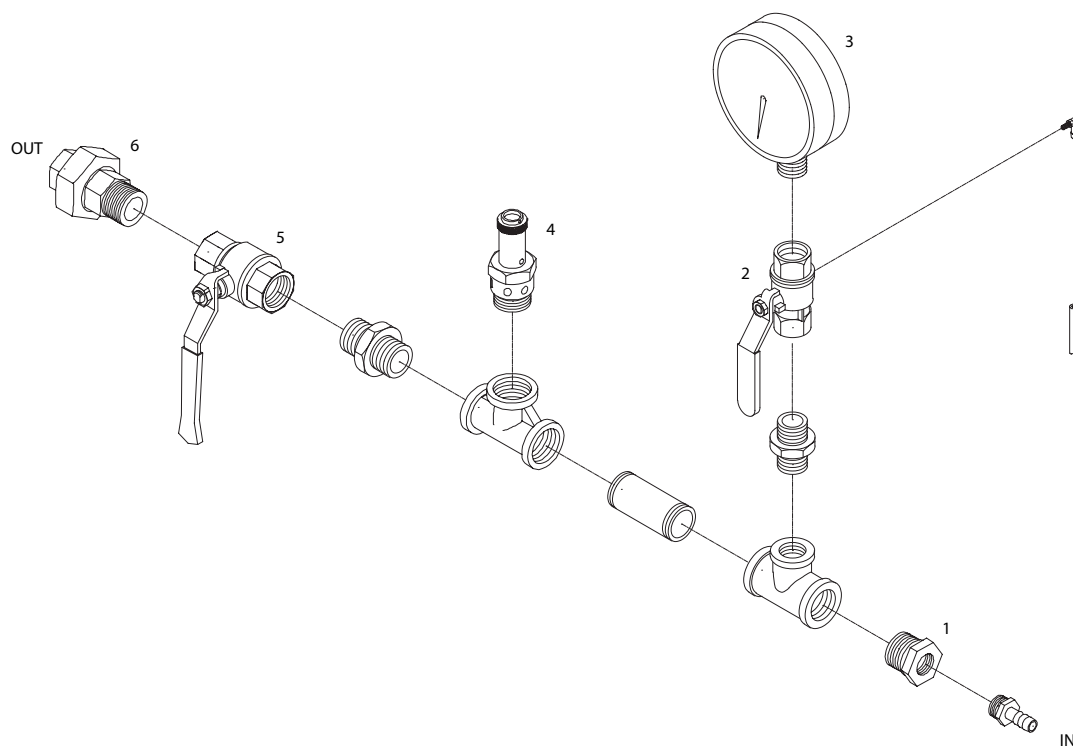
● R Устройства подачи воздуха, модель LED20

● T Hava Besleme Cihazları, Model LED20



LED20

Art. Nr.	Nr.	Description Описание Tanim	VDS
LE020TGR	1	Inlet: Hose Connection 3/8" / Ввод: Подключение рукава 3/8 дюйма / Giriş: Hortum Bağlantısı 3/8"	✓
	2	Ball Valve 1/2" / Шаровой клапан 1/2 дюйма / Küresel Vana 1/2"	✓
	3	Pressure Gauge 0-16 Bar 1/2" / Манометр 0-16 бар 1/2 дюйма / Basınç Ölçeri 0-16 Bar 1/2"	✓
	4	Safety Valve @ 3.5 Bar 3/4" / Предохранительный клапан на 3,5 бара 3/4 дюйма / Güvenlik Vanası 3,5 Bar 3/4"	✓
	5	Ball Valve 3/4" / Шаровой клапан 3/4 дюйма / Küresel Vana 3/4"	✓
	6	Outlet: 3/4" Male/Female Union / Выход: Штуцер наружный/внутренний 3/4 дюйма / Çıkış: 3/4" Erkek/Dişi Bağlantı	✓



Compressors

R Компрессоры

T Kompresörler

Model AB

Модель AB

Model AB



P. 2.028

Model CCS

Модель CCS

Model CCS



P. 2.029

Model CCS LPCB

Модель CCS LPCB

Model CCS LPCB



P. 2.030

Model CCS LPCB

Модель CCS LPCB

Model CCS LPCB



P. 2.031

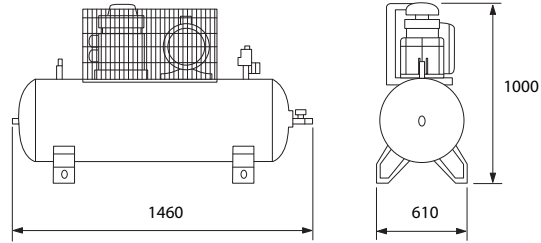
Compressors, Model AB

- R** Компрессоры, модель AB
- T** Kompresörler, Model AB



Approvals/Сертификаты/Onaylar:

CE: 98/37/CEE - 89/336/CEE - 73/23/CEE - 93/68/CEE - EN60204/1 - EN1012/1 - EN60335/1 - 87/404/CEE



Model AB • Art. nr. AB200410F

Nominal power Kw Номинальная мощность, кВт Anma gücü Kw	Effec. Air delivery Производительность Etkin Hava tedariki	Ambient temp. range Диапазон температуры окружающей среды Çevre ısısi	Frequency Частота Frekans	Thermal protection Защита от перегрева Termal Koruma	Noise level Уровень шума Ses Seviyesi	Compressor conn. Подключение компрессора Kompresör bağlantısı	Kg
3 [in]/2.3 [out]	327 ltr./min. at 2.8 Bar	+5/+40° C	50 Hz	Automatic reset	80 dB [A]	Rapid tap	110
Air displacement Воздухоизмещение Hava emme hacmi	Rotation speed Скорость вращения Dönme Hızı	Voltage Напряжение Voltaj	Nom. current Номинальный ток Anma gerilimi	Degree of protection Класс защиты Koruma sınıfı	Volume air tank Объем ресивера Hava tankının hacmi	Outlet press. red. assy Блок регулирования давления выхода Çıkış basıncı azaltıcısı	Oil content assy Блок добавления масла Yağ hacmi
397 ltr./min.	1210 rpm.	three phase 400 VAC	7.5 A	IP54	200 ltr.	3/8" female BSP	0.64 ltr.

Description:

The AB compressor is for use in dry, deluge and pre-action fire protection systems. The compressor unit is an air-cooled double cylinder compressor pump, belt driven by an electric motor. The AB is supplied complete with a tank, pressure control switch with on/off manual override, off loading valve, automatic thermal overload switch, tank pressure gauge, pressure reducer assembly and pressure gauge, condensate drain valve and safety valve. The unit should be supported on the ground by means of four anti-vibration mountings and anchors.

Описание:

Компрессор модели AB применяется в сухотрубных установках, а также в системах с блокировкой типа pre-action. Блок компрессора представляет собой двухцилиндровый насос с воздушным охлаждением и ременным приводом от электродвигателя. Модель AB комплектуется резервуаром, регулятором давления с ручной отменой включения-выключения, разгрузочным клапаном, выключателем тепловой перегрузки, манометром резервуара, узлом редуктора давления с манометром, клапаном слива конденсата и предохранительным клапаном. Блок устанавливается на четырех противовибрационных опорах с анкерами.

Tanım:

AB kompresörü kuru, baskın ve öntepkimeli yangın söndürme sistemlerinde kullanılır. Kompresör birimi hava ile soğutulup kayış ile çalışan çift silindir bir kompresör pompasından oluşmaktadır. AB kompresörü bu parçaları kapsamaktadır: el ile açılıp kapanabilen basınç kontrol anahtarı, basınç sabitleyicisi, otomatik termik güvenlik anahtarı, tank basınç ölçeri, basınç düşürme tertibatı, basınç ölçeri, kondensat drenaj vanası ve güvenlik vanası. Ünite, dört adet titreşim önleyici ayak kullanılarak sabit bir zemine kurulmalıdır.

Compressors, Model CCS

- R** Компрессоры, модель CCS
- T** Kompresörler, Model CCS

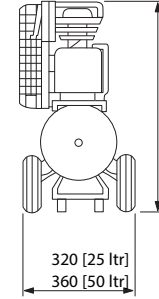
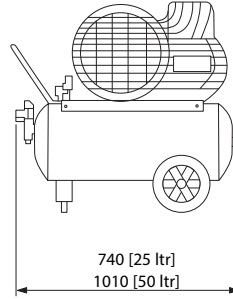


MODEL CCS

Approvals/Сертификаты/Onaylar:

TUV: Cert. AL990635692001

CE: 98/37/CEE - 89/336/CEE - 73/23/CEE - 93/68/CEE - EN60204/1 - EN1012/1 - EN60335/1 - 87/404/CEE



660 [25 ltr]
690 [50 ltr]

Model CCS • Art. nr. CCS25245 [25 ltr] - CCS50245 [50 ltr]

Nominal power Kw Номинальная мощность, кВт Anma gücü Kw	Effec. Air delivery Производительность Etkin Hava tedariki	Ambient temp. range Диапазон температуры окружающей среды Çevre ısısi	Frequency Частота Frekans	Thermal protection Защита от перегрева Termal Koruma	Noise level Уровень шума Ses Seviyesi	Compressor conn. Подключение компрессора Kompresör bağlantısı	Kg
2.0 [in]/1.5 [out]	187 ltr./min. at 2.8 Bar	+5/+40° C	50 Hz	Automatic reset	77 dB [A]	Rapid tap	53
Air displacement Воздухоизмещение Hava emme hacmi	Rotation speed Скорость вращения Dönme Hız	Voltage Напряжение Voltaj	Nom. current Номинальный ток Anma gerilimi	Degree of protection Класс защиты Koruma sınıfı	Volume air tank Объем резервуара Hava tankının hacmi	Outlet press. red. assy Блок регулирования давления выхода Çıkış basıncı azaltıcısı	Oil content assy Блок добавления масла Yağ hacmi
248 ltr./min.	1240 rpm.	single phase 230 VAC	7.5 A	IP42	25 / 50 ltr.	3/8" female BSP	0.32 ltr.

Description:

The CCS compressor is for use in a dry, deluge and pre-action fire protection systems. The compressor unit is an air-cooled double cylinder compressor pump, belt driven by an electric motor. The CCS is supplied complete with a tank, pressure control switch with on/off manual override, off loading valve, automatic thermal overload switch, tank pressure gauge, pressure reducer assembly and pressure gauge, condensate drain valve and safety valve. The unit is supported on the ground by two wheels and one anti-vibration mounting.

Описание:

Компрессор модели CCS применяется в сухотрубных установках, а также в системах с блокировкой типа pre-action. Блок компрессора представляет собой двухцилиндровый насос с воздушным охлаждением и ременным приводом от электродвигателя. Модель CCS комплектуется резервуаром, регулятором давления с ручной отменой включения-выключения, разгрузочным клапаном, выключателем тепловой перегрузки, манометром резервуара, узлом редуктора давления с манометром, клапаном слива конденсата и предохранительным клапаном. Блок устанавливается на двух колесах и одной антивибрационной опоре.

Tanım:

CCS kompresörü kuru, baskın ve öntepkimeli yangın söndürme sistemlerinde kullanılır. Kompresör birimi hava ile soğutulup kayış ile çalışan çift silindirik bir kompresör pompasından oluşmaktadır. CCS kompresörü bu parçaları kapsamaktadır: el ile açılıp kapanabilen basınç kontrol anahtarı, basınç sabitleyicisi, otomatik termik güvenlik anahtarı, tank basınç ölçeri, basınç düşürme tertibatı, basınç ölçeri, kondensat drenaj vanası ve güvenlik vanası. Kompresör birimi iki tekerlek ve bir titreşim önleyici ayak ile desteklenmiştir.

Compressors, Model CCS LPCB

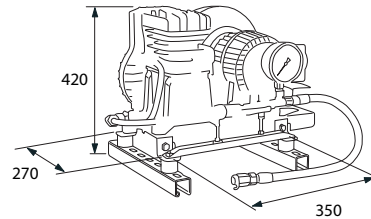
- R** Компрессоры, модель CCS LPCB
- T** Kompresörler, Model CCS LPCB



MODEL CCS LPCB

Approvals/Сертификаты/Onaylar:

TUV: Cert. AL990635692001
CE: 98/37/CEE - 89/336/CEE - 73/23/CEE - 93/68/CEE - EN60204/1 - EN1012/1 - EN60335/1 - 87/404/CEE



Model CCS LPCB • Art. nr. CCS245-1

Nominal power Kw Номинальная мощность, кВт Alma gücü Kw	Effec. Air delivery Производительность Etkin Hava tedariki	Ambient temp. range Диапазон температуры окружающей среды Çevre ısısı	Frequency Частота Frekans	Thermal protection Защита от перегрева Termal Koruma	Noise level Уровень шума Ses Seviyesi	Connection. Подключение компрессора Bağlantı.	Kg		
1.1 / 1.5 PK	113 ltr./min. at 8 Bar	+5/+40° C	50 Hz	8A	78 dB [A]	Hose 2 mtr. + 1/2" male BSP	25		
Air displacement Воздухоизмещение Hava emme hacmi	Rotation speed Скорость вращения Dönme Hızı	Voltage Напряжение Voltaj	Nom. current Номинальный ток Alma gerilimi	Degree of protection Класс защиты Koruma sınıfı	Volume air tank Объем ресивера Hava tankının hacmi	Oil content Блок добавления масла Yağ hacmi	Safety Valve Предохранительный клапан Güvenlik Vanası	Pressure switch Сигнализатор давления Basınç anahtarı	Pressure gauge Манометр Basınç ölçer
183 ltr./min.	2850 rpm.	1 ph 230 VAC/3 ph 400 VAC	7.5 A	IP23	not included	0.1 ltr.	6 bar	3.5 bar, Delta P=0.7 bar (adjustable)	0-10 bar, 100 mm, glycerine filled [BS:EN 837-1 Class 1 1998]

Description:

The CCS LPCB compressor is for use in dry, deluge and pre-action fire protection systems. The compressor unit is an air-cooled double cylinder compressor pump, belt driven by an electric motor. The CCS LPCB is supplied complete with hose, pressure control switch with on/off manual override, off loading valve, automatic thermal overload switch, tank pressure gauge, glycerine filled system gauge, combination orifice/fast system fill valve, electrical isolation box fitted with 1 metre cable and a 13 amp plug for single phase power, pressure reducer assembly, condensate drain valve and safety valve.

Описание:

Компрессор модели CCS LPCB применяется в сухотрубных установках, а также в системах с блокировкой типа pre-action. Блок компрессора представляет собой двухцилиндровый насос с воздушным охлаждением и ременным приводом от электродвигателя. Агрегат CCS LPCB комплектуется шлангом, регулятором давления с ручной отменой включения-выключения, разгрузочным клапаном, выключателем тепловой перегрузки, манометром заполненным глицерином, электроизолирующим корпусом с кабелем 1 м. и вилкой, рассчитанной на 13 ампер, на одну фазу, узлом понижения давления, клапаном для слива конденсата и предохранительным клапаном.

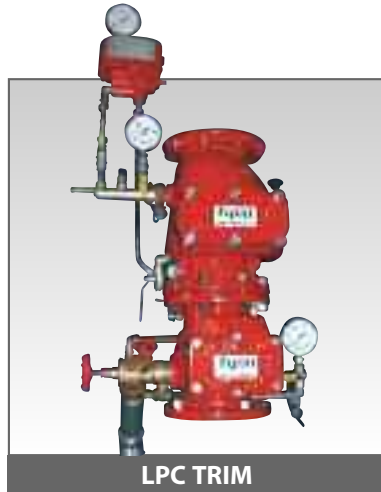
Tanım:

CCS LPCB kompresörü kuru, baskın ve öntepkimeli yangın söndürme sistemlerinde kullanılır. Kompresör birimi hava ile soğutulup kayış ile çalışan çift silindir bir kompresör pompasından oluşmaktadır. CCS LPCB kompresörü bu parçaları kapsamaktadır: hortum, el ile açılıp kapanabilen basınç kontrol anahtarı, basınç sabitleyicisi, otomatik termik güvenlik anahtarı, tank basınç ölçeri, gliserin ile doldurulmuş sistem ölçeri, birleşik orifis/ hızlı sistem doldurma vanası, bir metrelik kablo ve 13A'lık sigorta ile donanmış elektrik izole kutu, basınç düşürme tertibatı, basınç ölçeri, kondens drenaj vanası ve güvenlik vanası.

Alternate Valve Assemblies, Model CCS LPCB

R Комбинированные узлы управления, модель CCS LPCB

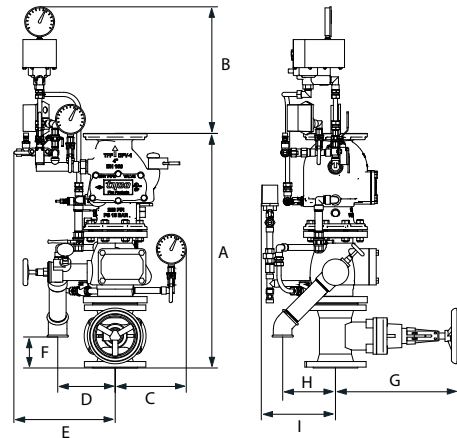
T Kuru/ Islak Alarm Vanaları, Model CCS LPCB



TFP1090/910

Body: Ductile Iron
Корпус: Ковкий чугун
Gövde: Duktül Demir

Coating: Red Paint
Покрытие: Красная краска
Kaplama: Kırmızı Boya



Standard Assembly:
Dry Alarm Valve [DPV-1],
Wet Alarm Valve [AV-1]
Gate Valve [0557]
Pressure Alarm Switch [PS10-1]
Accelerator [ACC-1]

Комплект узла управления:
Узел управления для воздушной установки DPV-1
Узел управления для водозаполненной установки AV-1
Задвижка шибберная 05-57
Сигнализатор давления [PS10-1]
Ускоритель [ACC-1]

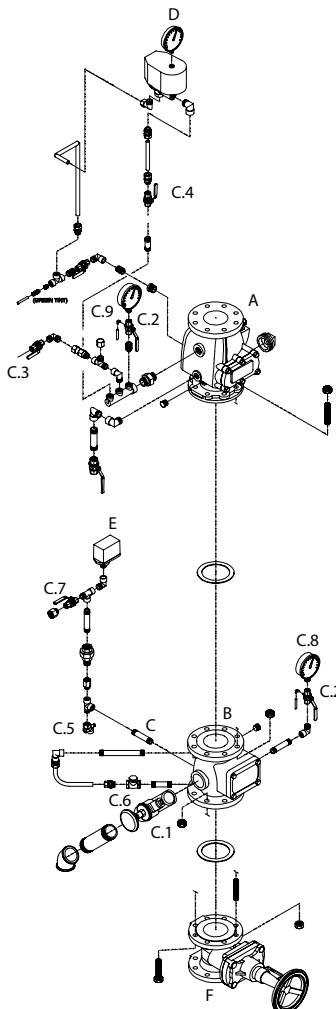
Standart Tertibat:
Kuru Alarm Vanası [DPV-1],
Islak Alarm Vanası [AV-1]
Kesme vanası [0557]
Basınç Alarm Anahtarları [PS10-1]
Hızlandırıcı [ACC-1]

Art. Nr.	DN	Inlet Вход Giriş	Outlet Выход Çıkış	A mm	B mm	C mm	D mm	E mm	F mm	G mm	H mm	I mm	Ø Kg
6348919101	100 4"	PN10/16	PN10/16	841	455	255	206	363	111	438	190	266	
6368919101	150 6"	PN10/16	PN10/16	990	419	281	234	399	152	583	190	282	

Other options available on request/Другие варианты доступны под заказ/ Diğer seçenekler talep üzerine mevcuttur

- Pos. Description**
- A Dry Pipe Valve DPV-1
 - B Wet Alarm Valve AV-1
 - C Alarm Valve Trim, including:
 - C.1 Test & Drain Valve
 - C.2 Gauge Test Valve
 - C.3 Air Supply Control Valve
 - C.4 Accelerator Control Valve
 - C.5 Automatic Drain Valve
 - C.6 Check Valve
 - C.7 Alarm Shut-Off Valve
 - C.8 Supply Pressure Gauge
 - C.9 System Pressure Gauge
 - D Accelerator ACC-1
 - E Pressure Switch PS10-1
 - F Superseded Gate Valve 05-57

- Поз. Описание**
- A Узел управления для воздушной установки DPV-1
 - B Узел управления для водозаполненной установки AV-1
 - C Обвязка узла управления, включающая следующие элементы:
 - C.1 Клапан для тестирования и дренажа
 - C.2 Вентиль для манометра
 - C.3 Контрольный клапан системы подачи воздуха
 - C.4 Контрольный клапан для ускорителя
 - C.5 Автоматический дренажный клапан
 - C.6 Обратный клапан
 - C.7 Запорный клапан для сигнальной линии
 - C.8 Манометр системы водоснабжения
 - C.9 Манометр спринклерной системы
 - D Ускоритель ACC-1
 - E Сигнализатор давления PS10-1
 - F Задвижка шибберная 05-57 с индикацией



- Poz. Tanım**
- A Kuru Boru Vanası DPV-1
 - B Islak Alarm Vanası AV-1
 - C Alarm Vanası Trimi bu parçalardan oluşmaktadır:
 - C.1 Deneme ve Drenaj Vanası
 - C.2 Ölçer Deneme Vanası
 - C.3 Hava Besleme Kontrol Vanası
 - C.4 Hızlandırıcı Kontrol Vanası
 - C.5 Otomatik Drenaj Vanası
 - C.6 Geri Tepme Emniyet Vanası
 - C.7 Kesme Vanası
 - C.8 Besleme Basıncı için Ölçer
 - C.9 Sistem Basıncı için Ölçer
 - D Hızlandırıcı ACC-1
 - E Basınç Alarmı Anahtarları PS10-1
 - F Süpervizyonlu Kesme Vanası 05-57

Deluge System Valves

R Узлы управления для дренчерных установок

T Baskın Alarm Vanaları

Model DV-5

Модель DV-5

Model DV-5



P. 3.033

Dry Pilot Actuator Model DP-1

Пневматическое пусковое устройство, модель DP-1

Kuru Pilot Aktivatörü Model DP-1



P. 3.034

Manual Control Station Model MC-1

Ручное пусковое устройство, модель MC-1

Manuel Kontrol Butonu Model MC-1



P. 3.034

Solenoid Valves

Соленоидный клапан

Solenoid Vanalar



P. 3.035

Assemblies Deluge Valve DV-5 with FM Trim

Узлы управления для дренчерных установок DV-5 с обвязкой, имеющей сертификат FM

DV-5 Baskın Alarm Vana Tertibatları, FM trimi ile



P. 3.036

Assemblies Deluge Valve DV-5 with Vds Trim

Узлы управления для дренчерных установок DV-5 с обвязкой, имеющей сертификат Vds

DV-5 Baskın Alarm Vana Tertibatları, Vds trimi ile



P. 3.038

Assemblies Deluge Valve DV-5 Remote Resetting

Узлы управления для дренчерных установок DV-5 с обвязкой с функцией дистанционного сброса

DV-5 Uzaktan Resetleme Baskın Alarm Vana Tertibatları



P. 3.040

Assemblies Deluge DV-5 Remote Resetting, Pressure Reducing

Узлы управления для дренчерных установок DV-5 с обвязкой с функцией дистанционного сброса и поддержания заданного давления

DV-5 Uzaktan Resetleme Baskın Alarm Tertibatları, Basınç Düşürücülü



P. 3.042

Assemblies Deluge Valve Alu-Bronze

Узлы управления для дренчерных установок DV-5 с обвязкой

(материал корпуса – сплав алюминия и бронзы)

Baskın Alarm Vana Tertibatları, Alü-Bronz



P. 3.043

Butterfly Wafer Model BW

Межфланцевый дисковый затвор, модель BW

Flanşlı Kelebek Vanaları, Model BW



P. 3.045

Deluge System Valves, Model DV-5

R Узлы управления для дренчерных установок, модель DV-5

T Baskın Alarm Vanaları, Model DV-5



DV-5



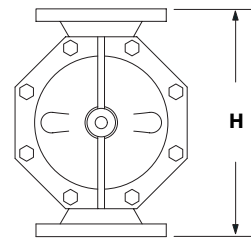
TFP1305/1310/1315/1320

Body: Ductile Iron
Корпус: Ковкий чугун
Gövde: Duktül Demir

Coating: Corrosion Resistant Red Rilsan
эмале покрытие доступно по запросу

Покрытие: Устойчивое к коррозии красное эмалированное покрытие Rilsan доступно под заказ

Kaplama: Korozyona Dayanıklı Kırmızı Rilsan emaye kaplaması istek üzerine yapılır



Model DV-5

Art. Nr.	DN	Inlet Вход Giriş	Outlet Выход Çıkış	Drain Дренаж Drenaj	H mm	Q Kg	FM	UL	VNIPO	VDS	PAVUS	CNBOP	T/S/U	BM ONF
524771919	40[48.3mm]	1.1/2"	GRV	GRV	3/4"NPT	204	3.6	✓	✓	✓	✓	✓	✓	✓
524771169	40	1.1/2"	BSP	BSP	3/4"BSP	204	4.1	✓	✓	✓	✓	✓	✓	✓
524771069	40	1.1/2"	NPT	NPT	3/4"NPT	204	4.1	✓	✓	✓	✓	✓	✓	✓
524771910	50[60.3mm]	2"	GRV	GRV	3/4"NPT	220	4.5	✓	✓	✓	✓	✓	✓	✓
524771160	50	2"	BSP	BSP	3/4"BSP	220	5.4	✓	✓	✓	✓	✓	✓	✓
524771060	50	2"	NPT	NPT	3/4"NPT	220	5.4	✓	✓	✓	✓	✓	✓	✓
524771922	80[88.9mm]	3"	GRV	GRV	1.1/4"BSP	324	14.1	✓	✓	✓	✓	✓	✓	✓
524771912	80[88.9mm]	3"	GRV	GRV	1.1/4"NPT	324	14.1	✓	✓	✓	✓	✓	✓	✓
524771212	80[88.9mm]	3"	PN10/16	GRV	1.1/4"BSP	324	17.7	✓	✓	✓	✓	✓	✓	✓
524771112	80	3"	PN10/16	PN10/16	1.1/4"BSP	324	21.3	✓	✓	✓	✓	✓	✓	✓
524771012	80	3"	ANSI 125	ANSI 125	1.1/4"NPT	324	21.3	✓	✓	✓	✓	✓	✓	✓
524771412	80[88.9mm]	3"	ANSI 125	GRV	1.1/4"NPT	324	17.7	✓	✓	✓	✓	✓	✓	✓
524771923	100[114.3mm]	4"	GRV	GRV	2"BSP	400	27.7	✓	✓	✓	✓	✓	✓	✓
524771913	100[114.3mm]	4"	GRV	GRV	2"NPT	400	27.7	✓	✓	✓	✓	✓	✓	✓
524774113	100	4"	PN10/16	PN10/16	2"BSP	400	36.3	✓	✓	✓	✓	✓	✓	✓
524771013	100	4"	ANSI 125	ANSI 125	2"NPT	400	36.3	✓	✓	✓	✓	✓	✓	✓
524774213	100[114.3mm]	4"	PN10/16	GRV	2"BSP	400	33.6	✓	✓	✓	✓	✓	✓	✓
524774613	100[114.3mm]	4"	ANSI 125	GRV	2"NPT	400	33.6	✓	✓	✓	✓	✓	✓	✓
524771925	150[168.3mm]	6"	GRV	GRV	2"BSP	460	44.9	✓	✓	✓	✓	✓	✓	✓
524771915	150[168.3mm]	6"	GRV	GRV	2"NPT	460	44.9	✓	✓	✓	✓	✓	✓	✓
524771945	150[165.1mm]	6"	GRV	GRV	2"BSP	460	44.9	✓	✓	✓	✓	✓	✓	✓
524774115	150	6"	PN10/16	PN10/16	2"BSP	460	52.3	✓	✓	✓	✓	✓	✓	✓
524771015	150	6"	ANSI 125	ANSI 125	2"NPT	460	52.3	✓	✓	✓	✓	✓	✓	✓
524774625	150[168.3mm]	6"	PN10/16	GRV	2"BSP	460	48.5	✓	✓	✓	✓	✓	✓	✓
524774215	150[165.1mm]	6"	PN10/16	GRV	2"BSP	460	48.5	✓	✓	✓	✓	✓	✓	✓
524774615	150[168.3mm]	6"	ANSI 125	GRV	2"NPT	460	48.5	✓	✓	✓	✓	✓	✓	✓
524771126	200	8"	PN 16	PN 16	2"BSP	570	87.5	✓	✓	✓	✓	✓	✓	✓
524771216	200[219.1mm]	8"	PN 10	GRV	2"BSP	570	77.8	✓	✓	✓	✓	✓	✓	✓
524771226	200[219.1mm]	8"	PN 16	GRV	2"BSP	570	77.8	✓	✓	✓	✓	✓	✓	✓
524771926	200[219.1mm]	8"	GRV	GRV	2"BSP	570	68.1	✓	✓	✓	✓	✓	✓	✓

Max. 17.2 Bar [250 Psi]

Aluminium bronze, SS & Titanium available on request/

Варианты материалов корпуса: сплав алюминия и бронзы, нержавеющая сталь или титан доступны под заказ/
Alüminyum bronz, SS ve titanium istek üzerine temin edilebilmektedir.

FM Trims Galvanized / Оцинкованные обвязки, имеющие сертификат FM / Galvanize FM Trimler

Art. Nr.	DN	Description Описание Tanım
524772207E	40&50	1.1/2" & 2" Wet Pilot Actuation / Гидравлический пуск / Islak Pilot Aktivasyon
524772208E	40&50	1.1/2" & 2" Dry Pilot Actuation / Пневматический пуск / Kuru Pilot Aktivasyon
524772209E	40&50	1.1/2" & 2" Electric Pilot Actuation [Excl. Solenoid] / Электрический пуск (сolenoid не входит в комплект) / Elektrik Pilot Aktivasyon [Solenoid hariç]
524772204E	80	3" Wet Pilot Actuation / Гидравлический пуск / Islak Pilot Aktivasyon
524772205E	80	3" Dry Pilot Actuation / Пневматический пуск / Kuru Pilot Aktivasyon
524772206E	80	3" Electric Pilot Actuation [Excl. Solenoid] / Электрический пуск (сolenoid не входит в комплект) / Elektrik Pilot Aktivasyon [Solenoid hariç]
524772201E	100&150	4", 6" & 8" Wet Pilot Actuation / Гидравлический пуск / Islak Pilot Aktivasyon
524772202E	100&150	4", 6" & 8" Dry Pilot Actuation / Пневматический пуск / Kuru Pilot Aktivasyon
524772203E	100&150	4", 6" & 8" Electric Pilot Actuation [Excl. Solenoid] / Электрический пуск (сolenoid не входит в комплект) / Elektrik Pilot Aktivasyon [Solenoid hariç]
522871024P	-	- Solenoid Valve 24 VDC / Соленоидный клапан, 24 В пост. тока / Solenoid Vana 24 VDC

Deluge System Valves Accessories

- R** Принадлежности к узлам управления для дренчерных установок
- T** Baskın Alarm Vanaları Aksesuarları

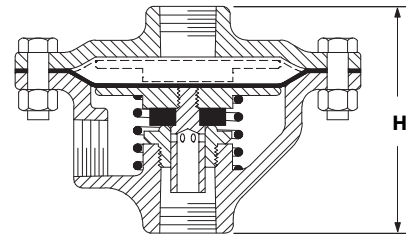


DP-1



TFP1380

Body: Bronze
Корпус: Бронза
Gövde: Bronz



Model DP-1 Dry Pilot Actuator/Пневматическое пусковое устройство/Kuru Pilot Aktivatör

Art. Nr.	Pilot Anschluß Membran Pilote	Inlet Вход Entree	Outlet Выход Sortie	H mm	Kg	LPCB	FM	UL
522801001	1/2" NPT	1/2" NPT	1/2" NPT	85.7	3.0	✓	✓	✓

Max. 17.2 Bar [250 Psi] Water/Вода/Su
Max. 3.46 Bar [50 Psi] Air/Воздух/Hava

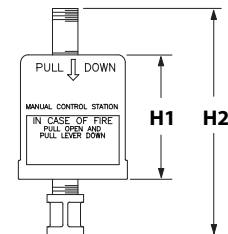


MC-1



TFP1382

Body: Thermo Plastic
Корпус: Термопластик
Gövde: Termal Plastik



Model MC-1 Manual Control Station/Ручное пусковое устройство/Manüel Kontrol İstasyonu

Art. Nr.	Inlet Вход Giriş	Outlet Выход Çıkış	H1 mm	H2 mm	Kg	LPCB	FM	UL
522892001	1/2" NPT	1/2" NPT	104.8	188.7	2.0	✓	✓	✓

Max. 17.2 Bar [250 Psi] Water/Вода/Su

Spare

Art. Nr.	Description Описание Tanım
922891008	Replacement Break Rod / Запасной разрывной шток / Yedek Kesme Çubuğu

Deluge System Valves Accessories, Solenoid Valves

- R** Принадлежности к узлам управления для дренчерных установок, соленоидный клапан
- T** Baskın Alarm Vanaları Aksesuarları, Solenoid Vanalar



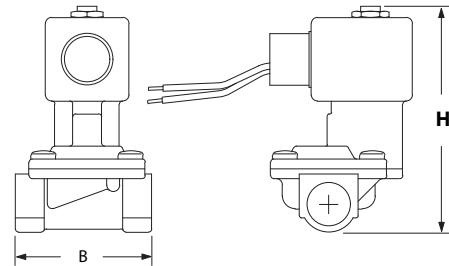
SOLENOID



TFP2180

Body:
Корпус:
Gövde:

Bronze
Бронза
Bronz



Solenoid Valves 1/2" NPT Normally Closed/Соленоидный клапан (нормально закрытый), резьба NPT 1/2 дюйма/Solenoid Vanalar 1/2" NPT Normalde Kapalı

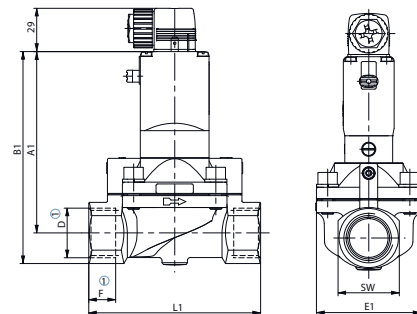
Art. Nr.	Type 73218BN4UNLV NO	Nema nr.	IP	V	P [Bar]	W [Watt]	DC [Amp.]	B mm	H mm	FM	UL
522871024P	C111C2	2, 4, 4X	65	24 VDC	12.1	10	0.41	66.7	111.1	√	√
522871124P	C322C2	2, 4, 4X	65	24 VDC	17.2	22	0.83	69.9	117.5	√	√
522871224X*	HZ09C2	4, 4X, 7, 9	65	24 VDC	12.1	10	0.41	66.7	111.1		

Other options available on request/Другие варианты доступны под заказ/ Diğer seçenekler talep üzerine mevcuttur

*including ATEX certificate



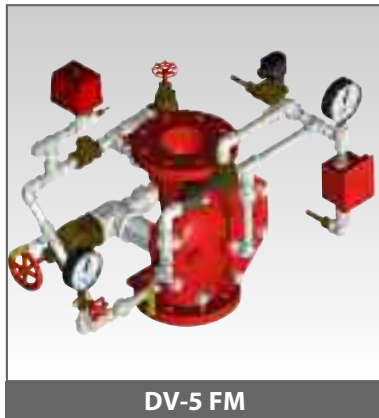
II2G Ex md IIC T5



Art. Nr.	IP class	V	P [Bar]	W [Watt]	B1 mm	L1 mm	UL
2460566	IP65	24 VDC	16	11	123	65	√

Deluge System Valves Assemblies, DV-5 with FM Trim

- R** Узлы управления для дренчерных установок DV-5 с обвязкой, имеющей сертификат FM
- T** Baskın Alarm Vana Tertibatları, DV-5, FM Trimi ile



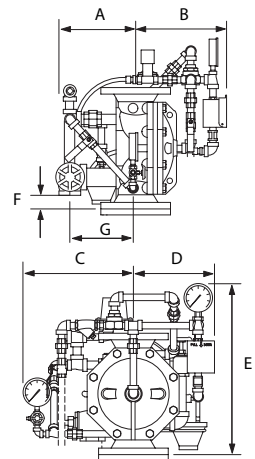
DV-5 FM



TFP1305

Body: Ductile Iron
Корпус: Ковкий чугун
Gövde: Duktül Demir

Coating: Corrosion Resistant Red Rilsan
Покрытие: Устойчивое к коррозии покрытие Rilsan красного цвета
Kaplama: Korozyona Dayanıklı Kırmızı Rilsan



Standard Assembly:
Deluge Valve [DV-5]
Pressure Alarm Switch [PS10-1]
Actuation: Electric, Dry or Wet
No Stop Valve*

Комплект узла управления:
Узел управления для дренчерных установок [DV-5]
Сигнализатор давления [PS10-1]
Пуск Электрический, пневматический или гидравлический
Запорная арматура не входит в комплект*

Standart Tertibat:
Baskın Vana [DV-5]
Basınç Alarm Anahtarı [PS10-1]
Çalıştırma: Elektrik, Kuru veya Islak
No Stop Vanası*

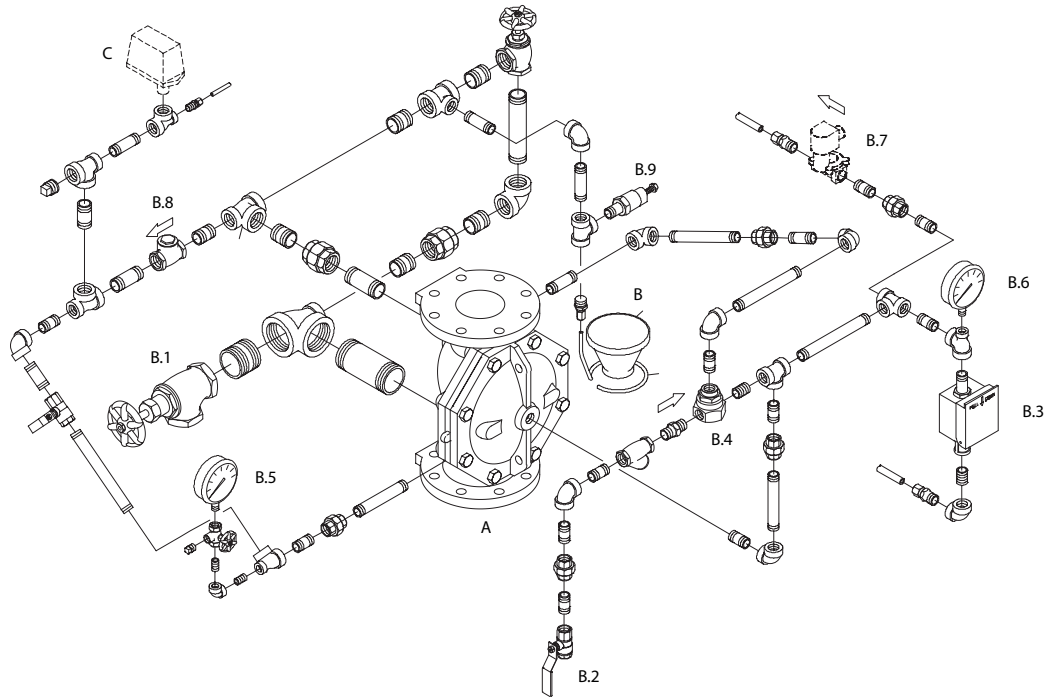
*For Stop Valve see chapter 3, needs to be ordered separately/Запорная арматура заказывается отдельно (см. раздел 3)/Durdurma Vanası için 3. bölüme bakınız, özel olarak sipariş edilmelidir

Art. Nr.	DN	Actuation Пуск Aktivasyon	Inlet Вход Giriş	Outlet Выход Çıkış	A mm	B mm	C mm	D mm	E mm	F mm	G mm	Q Kg	
86A7200106	40	1.1/2"	Electric/Электрический/Elektrik	BSP THR	BSP THR	178	225	335	267	387	32	148	19
8627200104	50	2"	Electric/Электрический/Elektrik	BSP THR	BSP THR	181	232	335	267	395	24	152	20
8037200104	80	3"	Electric/Электрический/Elektrik	PN10/16	PN10/16	198	265	335	267	486	41	170	35
8047200104	100	4"	Electric/Электрический/Elektrik	PN10/16	PN10/16	254	299	364	267	562	45	218	53
8067200104	150	6"	Electric/Электрический/Elektrik	PN10/16	PN10/16	289	364	389	267	592	89	252	69
8087200104	200	8"	Electric/Электрический/Elektrik	PN16	PN16	305	406	413	267	648	45	273	109
86A7200106	40	1.1/2"	Dry/Пневматический/Kuru	BSP THR	BSP THR	178	225	335	267	387	32	148	23
8627200106	50	2"	Dry/Пневматический/Kuru	BSP THR	BSP THR	181	232	335	267	395	24	152	24
8037200106	80	3"	Dry/Пневматический/Kuru	PN10/16	PN10/16	198	265	335	267	486	41	170	39
8047200106	100	4"	Dry/Пневматический/Kuru	PN10/16	PN10/16	254	299	364	267	562	45	218	58
8067200106	150	6"	Dry/Пневматический/Kuru	PN10/16	PN10/16	289	364	389	267	592	89	252	74
8087200106	200	8"	Dry/Пневматический/Kuru	PN16	PN16	305	406	413	267	648	45	273	114
86A7200100	40	1.1/2"	Wet/Гидравлический/Islak	BSP THR	BSP THR	178	225	335	267	387	32	148	17
8627200100	50	2"	Wet/Гидравлический/Islak	BSP THR	BSP THR	181	232	335	267	395	24	152	18
8037200100	80	3"	Wet/Гидравлический/Islak	PN10/16	PN10/16	198	265	335	267	486	41	170	33
8047200100	100	4"	Wet/Гидравлический/Islak	PN10/16	PN10/16	254	299	364	267	562	45	218	53
8067200100	150	6"	Wet/Гидравлический/Islak	PN10/16	PN10/16	289	364	389	267	592	89	252	69
8087200100	200	8"	Wet/Гидравлический/Islak	PN16	PN16	305	406	413	267	648	45	273	108
84A7200104	40	1.1/2"	Electric/Электрический/Elektrik	GRV	GRV	178	225	335	267	387	32	148	19
8427200104	50	2"	Electric/Электрический/Elektrik	GRV	GRV	181	232	335	267	395	24	152	20
8437200104	80	3"	Electric/Электрический/Elektrik	GRV	GRV	198	265	335	267	486	41	170	35
8447200104	100	4"	Electric/Электрический/Elektrik	GRV	GRV	254	299	364	267	562	45	218	53
8467200104	150	6"	Electric/Электрический/Elektrik	GRV	GRV	289	364	389	267	592	89	252	69
8487200104	200	8"	Electric/Электрический/Elektrik	GRV	GRV	305	406	413	267	648	45	273	109
84A7200106	40	1.1/2"	Dry/Пневматический/Kuru	GRV	GRV	178	225	335	267	387	32	148	22
8427200106	50	2"	Dry/Пневматический/Kuru	GRV	GRV	181	232	335	267	387	32	148	23
8437200106	80	3"	Dry/Пневматический/Kuru	GRV	GRV	198	265	335	267	486	41	170	39
8447200106	100	4"	Dry/Пневматический/Kuru	GRV	GRV	254	299	364	267	562	45	218	58
8467200106	150	6"	Dry/Пневматический/Kuru	GRV	GRV	289	364	389	267	592	89	252	74
8487200106	200	8"	Dry/Пневматический/Kuru	GRV	GRV	305	406	413	267	648	45	273	114
84A7200100	40	1.1/2"	Wet/Гидравлический/Islak	GRV	GRV	178	225	335	267	387	32	148	17
8427200100	50	2"	Wet/Гидравлический/Islak	GRV	GRV	181	232	335	267	395	24	152	18
8437200100	80	3"	Wet/Гидравлический/Islak	GRV	GRV	198	265	335	267	486	41	170	33
8447200100	100	4"	Wet/Гидравлический/Islak	GRV	GRV	254	299	364	267	562	45	218	53
8467200100	150	6"	Wet/Гидравлический/Islak	GRV	GRV	289	364	389	267	592	89	252	69
8487200100	200	8"	Wet/Гидравлический/Islak	GRV	GRV	305	406	413	267	648	45	273	108

Other options available on request/Другие варианты доступны под заказ/ Diğer seçenekler talep üzerine mevcuttur

Deluge System Valves Assemblies

- R** Комплект узла управления с обвязкой
- T** Baskın Alarm Vanası Tertibatları



Pos. Description

- A Alarm Deluge Valve DV-5**
- B Alarm Valve Trim, including:**
- B.1 Main Drain Valve** (normally closed)
- B.2 Diaphragm Chamber Supply Control Valve** (normally open)
- B.3 Manual Control System**
- B.4 Automatic Shut-Off Valve w/Restriction**
- B.5 Water Supply Pressure Gauge**
- B.6 Diaphragm Chamber Pressure Gauge**
- B.7 Solenoid Valve 24 VDC**
- B.8 Check Valve**
- B.9 Automatic Drain Valve**
- C Waterflow Pressure Alarm Switch**

Поз. Описание

- A Узел управления для дренчерных установок DV-5**
- B Обвязка узла управления, включающая следующие элементы:**
- B.1 Главный дренажный клапан** (нормально закрыт)
- B.2 Клапан подачи воды в камеру с диафрагмой** (нормально открыт)
- B.3 Ручное пусковое устройство**
- B.4 Автоматический запорный клапан с дросселем**
- B.5 Манометр системы водоснабжения**
- B.6 Манометр камеры с диафрагмой**
- B.7 Соленоидный клапан, 24 В пост. тока**
- B.8 Обратный клапан**
- B.9 Автоматический дренажный клапан**
- C Сигнализатор давления**

Poz. Tanım

- A Baskın Alarm Vanası DV-5**
- B Alarm vanası trimi bu parçalardan oluşmaktadır:**
- B.1 Ana Drenaj Vanası** (normalde kapalı)
- B.2 Diyafram Odası Beslemesi Kontrol Vanası** (normalde kapalı)
- B.3 Manüel Kontrol Sistemi**
- B.4 Otomatik Kesme Vanası, Kısıtlamalı**
- B.5 Su Besleme Basıncı için Basınç Ölçeri**
- B.6 Diyafram Odası Basınç Ölçeri**
- B.7 Solenoid Vana 24 VDC**
- B.8 Geri Tepme Emniyet Vanası**
- B.9 Otomatik Drenaj Vanası**
- C Su Akışı Basınç Alarm Anahtarı**

Deluge System Valves Assemblies, DV-5 with VdS Trim

- R** Узлы управления для дренчерных установок DV-5 с обвязкой, имеющей сертификат Vds
- T** Baskın Alarm Vana Tertibatları, DV-5, VdS Trimi ile

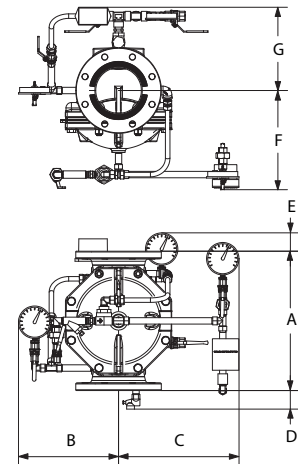


DV-5 VDS WET ACTUATION



Body: Ductile Iron
Корпус: Ковкий чугун
Gövde: Duktül Demir

Coating: Corrosion Resistant Red Rilsan
Покрытие: Устойчивое к коррозии покрытие Rilsan красного цвета
Kaplama: Korozyona Dayanıklı Kırmızı Rilsan



Standard Assembly:
Deluge Valve [DV-5]
Pressure Alarm Switch [PS10-1]
Actuation: Wet
No Stop Valve*

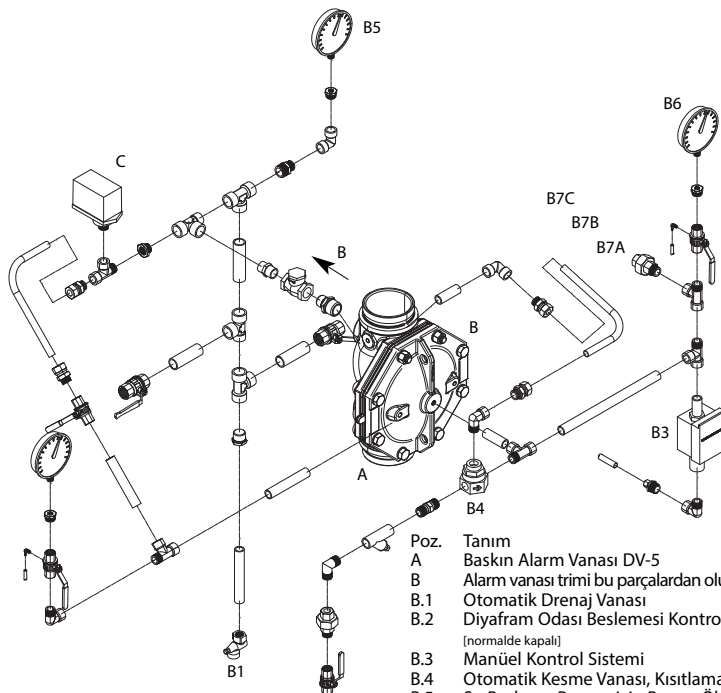
Комплект узла управления:
Узел управления для дренчерных установок [DV-5]
Сигнализатор давления [PS10-1]
Пуск Гидравлический
Запорная арматура не входит в комплект*

Standart Tertibat:
Baskın Vana [DV-5]
Basınç Alarm Anahtarı [PS10-1]
Çalıştırma: Islak
No Stop Vanası*

*For Stop Valve see chapter 3, to be ordered separate/Запорная арматура заказывается отдельно (см. раздел 3)/Durdurma Vanası için 3. bölüme bakınız, özel olarak sipariş edilecektir

DV-5 VdS Wet Actuation/Гидравлический пуск/Islak Aktivasyon

Art. Nr.	DN	Actuation Пуск Aktivasyon	Inlet Вход Giriş	Outlet Выход Çıkış	A mm	B mm	C mm	D mm	E mm	F mm	G mm
86A8900150	40 1.1/2"	Wet/Гидравлический/Islak	BSP THR	BSP THR	204	319	395	153	139	175	252
84A8900150	40 1.1/2"	Wet/Гидравлический/Islak	BSP THR	BSP THR	204	319	395	153	139	175	252
8028900150	50 2"	Wet/Гидравлический/Islak	PN10/16	PN10/16	220	324	395	26	131	181	257
8428900150	50 2"	Wet/Гидравлический/Islak	GRV 60.3	GRV 60.3	220	324	395	26	131	181	257
8038900150	80 3"	Wet/Гидравлический/Islak	PN10/16	PN10/16	324	298	395	131	79	214	234
8438900150	80 3"	Wet/Гидравлический/Islak	GRV 88.9	GRV 88.9	324	298	395	131	79	214	234
8048900150	100 4"	Wet/Гидравлический/Islak	PN10/16	PN10/16	400	291	395	108	47	253	261
8448900150	100 4"	Wet/Гидравлический/Islak	GRV 114.3	GRV 114.3	400	291	395	108	47	253	261
8068900150	150 6"	Wet/Гидравлический/Islak	PN10/16	PN10/16	464	316	395	36	55	318	286
8468900150	150 6"	Wet/Гидравлический/Islak	GRV 168.3	GRV 168.3	464	316	395	36	55	318	286
8088900150	200 8"	Wet/Гидравлический/Islak	PN16	PN16	570	341	395	-	42	356	305
8488900150	200 8"	Wet/Гидравлический/Islak	GRV 219.1	GRV 219.1	570	341	395	-	42	356	305



- Pos. Description**
- A Alarm Deluge Valve DV-5**
 - B Alarm Valve Trim, including:**
 - B.1 Automatic Drain Valve**
 - B.2 Diaphragm Chamber Supply Control Valve [normally open]**
 - B.3 Manual Control System**
 - B.4 Automatic Shut-Off Valve w/Restriction**
 - B.5 Water Supply Pressure Gauge**
 - B.6 Diaphragm Chamber Pressure Gauge**
 - B.7A Wet actuation**
 - B.7B Electric actuation [2.038]**
 - B.7C Dry pilot actuation [2.039]**
 - B.8 Check Valve**
 - C Waterflow Pressure Alarm Switch**

- Поз. Описание**
- A Узел управления для дренчерных установок DV-5**
 - B Обвязка узла управления, включающая следующие элементы:**
 - B.1 Главный дренажный клапан**
 - B.2 Клапан подачи воды в камеру с диафрагмой (нормально открыт)**
 - B.3 Ручное пусковое устройство**
 - B.4 Автоматический запорный клапан с дросселем**
 - B.5 Манометр системы водоснабжения**
 - B.6 Манометр камеры с диафрагмой**
 - B.7A Гидравлический пуск**
 - B.7B Электрический пуск [2.038]**
 - B.7C Пневматический пуск [2.039]**
 - B.8 Обратный клапан**
 - C Сигнализатор давления**

Deluge System Valves Assemblies

- R** Узлы управления для дренчерных установок DV-5 с обвязкой
- T** Baskın Alarm Vanası Tertibatları



DV-5 VDS ELECTRIC ACTUATION



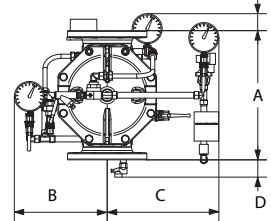
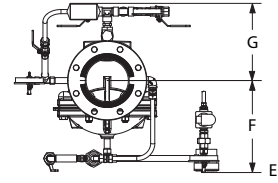
TFP 1338

Body:
Корпус:
Gövde:

Ductile Iron
Ковкий чугун
Duktül Demir

Coating:
Покрытие:
Kaplama:

Corrosion Resistant Red Rilsan
Устойчивое к коррозии покрытие
Rilsan красного цвета
Korozyona Dayanıklı Kırmızı Rilsan



Standard Assembly:
Deluge Valve [DV-5]
Pressure Alarm Switch [PS10-1]
Actuation: Electric
No Stop Valve*

Комплект узла управления:
Узел управления для дренчерных установок [DV-5]
Сигнализатор давления [PS10-1]
Пуск: Электрический
Запорная арматура не входит в комплект*

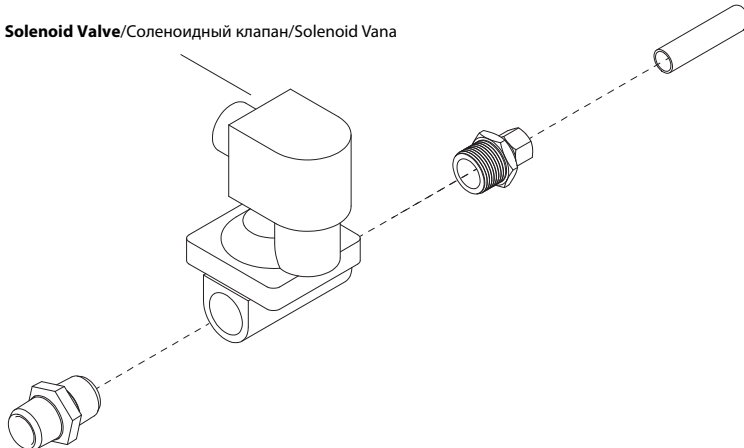
Standart Tertibat:
Baskın Vana [DV-5]
Basınç Alarm Anahtarı [PS10-1]
Aktivasyon Elektrik
No Stop Vanası*

*For Stop Valve see chapter 3, needs to be ordered separately/Запорная арматура заказывается отдельно (см. раздел 3)/Durdurma Vanası için 3. bölüme bakınız, özel olarak sipariş edilmelidir

DV-5 Vds Electric Actuation/Электрический пуск/Elektrik Aktivasyon

Art. Nr.	DN	Actuation Пуск Aktivasyon	Inlet Вход Giriş	Outlet Выход Çıkış	A mm	B mm	C mm	D mm	E mm	F mm	G mm
86A8900151	40 1.1/2"	Electric/Электрический/Elektrik	BSP THR	BSP THR	204	319	395	153	139	175	252
84A8900151	40 1.1/2"	Electric/Электрический/Elektrik	BSP THR	BSP THR	204	319	395	153	139	175	252
8028900151	50 2"	Electric/Электрический/Elektrik	PN10/16	PN10/16	220	324	395	26	131	181	257
8428900151	50 2"	Electric/Электрический/Elektrik	GRV 60.3	GRV 60.3	220	324	395	26	131	181	257
8038900151	80 3"	Electric/Электрический/Elektrik	PN10/16	PN10/16	324	298	395	131	79	214	234
8438900151	80 3"	Electric/Электрический/Elektrik	GRV 88.9	GRV 88.9	324	298	395	131	79	214	234
8048900151	100 4"	Electric/Электрический/Elektrik	PN10/16	PN10/16	400	291	395	108	47	253	261
8448900151	100 4"	Electric/Электрический/Elektrik	GRV 114.3	GRV 114.3	400	291	395	108	47	253	261
8068900151	150 6"	Electric/Электрический/Elektrik	PN10/16	PN10/16	464	316	395	36	55	318	286
8468900151	150 6"	Electric/Электрический/Elektrik	GRV 168.3	GRV 168.3	464	316	395	36	55	318	286
8088900151	200 8"	Electric/Электрический/Elektrik	PN16	PN16	570	341	395	-	42	356	305
8488900151	200 8"	Electric/Электрический/Elektrik	GRV 219.1	GRV 219.1	570	341	395	-	42	356	305

Solenoid Valve/Соленоидный клапан/Solenoid Vana



DV5EL: Electric actuation trim
For total trim configuration
see page 236

DV5EL: Обвязка для узла управления с электрическим пуском

DV5EL: Elektrik aktivasyon trimi
Toplam trim yapılandırması için
bkz. sayfa 236

Deluge System Valves Assemblies, DV-5 Remote Resetting

- R** Узлы управления для дренчерных установок DV-5 с обвязкой с функцией дистанционного сброса
- T** Baskın Alarm Vana Tertibatları, DV-5, Uzaktan Sıfırlama



DV-5 VDS DRY PILOT ACTUATION



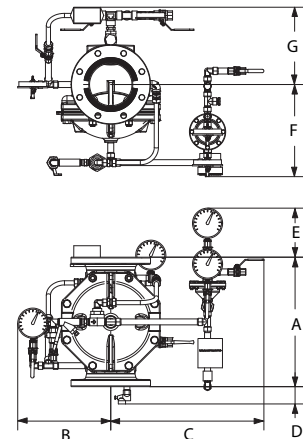
TFP 1338

Body:
Корпус:
Gövde:

Ductile Iron
Ковкий чугун
Duktül Demir

Coating:
Покрытие:
Kaplama:

Corrosion Resistant Red Rilsan
Устойчивое к коррозии покрытие
Rilsan красного цвета
Korozyona Dayanıklı Kırmızı Rilsan



Standard Assembly:
Deluge Valve [DV-5]
Pressure Alarm Switch [PS10-1]
Actuation: Dry
No Stop Valve*

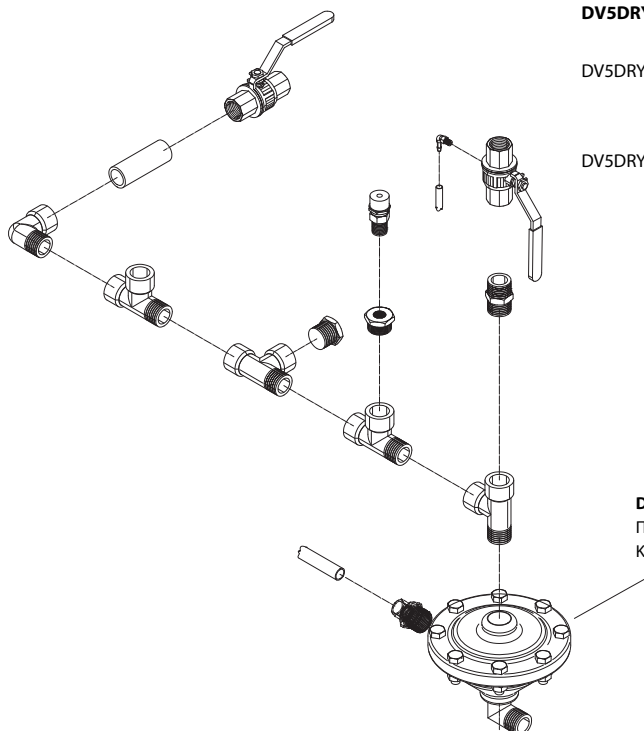
Комплект узла управления:
Узел управления для дренчерных установок [DV-5]
Сигнализатор давления [PS10-1]
Пуск: Пневматический
Запорная арматура не входит в комплект*

Standart Tertibat:
Baskın Vana [DV-5]
Basınç Alarm Anahtarı [PS10-1]
Aktivasyon Kuru
No Stop Vanası*

*For Stop Valve see chapter 3, to be ordered separate/Запорная арматура заказывается отдельно (см. раздел 3)/Durdurma Vanası için 3. bölüme bakınız, özel olarak sipariş edilecektir

DV-5 VdS Dry Pilot Actuation/Пневматический пуск/Kuru Pilot Aktivasyon

Art. Nr.	DN	Actuation Пуск Aktivasyon	Inlet Вход Giriş	Outlet Выход Çıkış	A mm	B mm	C mm	D mm	E mm	F mm	G mm
86A8900152	40 1.1/2"	Dry/Пневматический/Кигу	BSP THR	BSP THR	204	319	534	153	284	175	252
84A8900152	40 1.1/2"	Dry/Пневматический/Кигу	BSP THR	BSP THR	204	319	534	153	284	175	252
8028900152	50 2"	Dry/Пневматический/Кигу	PN10/16	PN10/16	220	324	534	130	276	181	257
8428900152	50 2"	Dry/Пневматический/Кигу	GRV 60.3	GRV 60.3	220	324	534	130	276	181	257
8038900152	80 3"	Dry/Пневматический/Кигу	PN10/16	PN10/16	324	298	534	131	224	214	234
8438900152	80 3"	Dry/Пневматический/Кигу	GRV 88.9	GRV 88.9	324	298	534	131	224	214	234
8048900152	100 4"	Dry/Пневматический/Кигу	PN10/16	PN10/16	400	291	534	108	186	253	261
8448900152	100 4"	Dry/Пневматический/Кигу	GRV 114.3	GRV 114.3	400	291	534	108	186	253	261
8068900152	150 6"	Dry/Пневматический/Кигу	PN10/16	PN10/16	464	316	534	36	154	318	286
8468900152	150 6"	Dry/Пневматический/Кигу	GRV 168.3	GRV 168.3	464	316	534	36	154	318	286
8088900152	200 8"	Dry/Пневматический/Кигу	PN16	PN16	570	339	534	-	98	359	305
8488900152	200 8"	Dry/Пневматический/Кигу	GRV 219.1	GRV 219.1	570	339	534	-	98	359	305



DV5DRY: Dry pilot actuation trim
For total trim configuration, see TFP1338

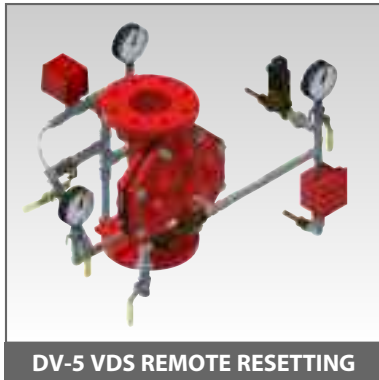
DV5DRY: Обвязка для узла управления с пневматическим пуском
Информация о полной конфигурации обвязки представлена в техническом описании TFP1338

DV5DRY: Kuru pilot aktivasyon trimi
Trim konfigürasyonu için bkz. TFP1338

Dry pilot actuator
Пневматическое пусковое устройство
Kuru pilot çalıştırması

Deluge System Valves Assemblies

- R** Узлы управления для дренчерных установок DV-5 с обвязкой
- T** Baskın Alarm Vanası Tertibatları



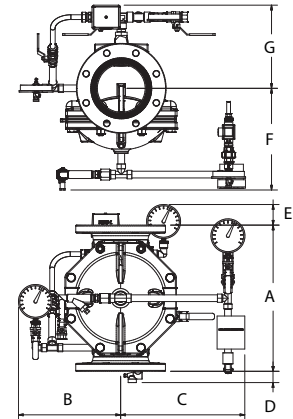
DV-5 VDS REMOTE RESETTING



TFP 1331

Body: Ductile Iron
Корпус: Ковкий чугун
Gövde: Duktül Demir

Coating: Corrosion Resistant Red Rilsan
Покрытие: Устойчивое к коррозии покрытие Rilsan красного цвета
Kaplama: Korozyona Dayanıklı Kırmızı Rilsan



Standard Assembly:
Deluge Valve [DV-5]
Pressure Alarm Switch [PS10-1]
Actuation: Electric, Remote Setting
No Stop Valve*

Комплект узла управления:
Узел управления для дренчерных установок [DV-5]
Сигнализатор давления [PS10-1]
Пуск: Электрическое, дистанционная настройка
Запорная арматура не входит в комплект*

Standart Tertibat:
Baskın Vana [DV-5]
Basınç Alarm Anahtarı [PS10-1]
Çalıştırma: Elektrikli, Uzaktan Ayarlama
No Stop Vanası*

DV-5 VDS Remote Resetting/DV-5 VDS Дистанционный сброс/DV-5 VDS Uzaktan Resetleme

Art. Nr.	DN	Actuation Пуск Çalıştırma	Inlet Вход Giriş	Outlet Выход Çıkış	A mm	B mm	C mm	D mm	E mm	F mm	G mm	VDS	
8428900161	50	2"	Electric/Электрический/Elektrik**	GRV 60.3	GRV 60.3	220	303	335	203	133	181	274	✓
8038900161	80	3"	Electric/Электрический/Elektrik**	PN10/16	PN10/16	324	316	335	131	81	214	231	✓
8438900161	80	3"	Electric/Электрический/Elektrik**	GRV 88.9	GRV 88.9	324	316	335	131	81	214	231	✓
8048900161	100	4"	Electric/Электрический/Elektrik**	PN10/16	PN10/16	400	290	395	108	50	253	260	✓
8448900161	100	4"	Electric/Электрический/Elektrik**	GRV 114.3	GRV 114.3	400	290	395	108	50	253	260	✓
8068900161	150	6"	Electric/Электрический/Elektrik**	PN10/16	PN10/16	464	315	395	36	58	318	285	✓
8468900161	150	6"	Electric/Электрический/Elektrik**	GRV 168.3	GRV 168.3	464	315	395	36	58	318	285	✓
8088900161	200	8"	Electric/Электрический/Elektrik**	PN10/16	PN10/16	570	337	395	-	38	359	304	✓
8488900161	200	8"	Electric/Электрический/Elektrik**	GRV 219.1	GRV 219.1	570	337	395	-	38	359	304	✓



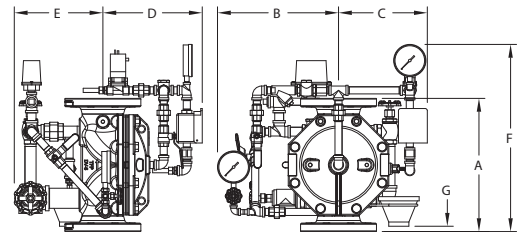
DV-5 UL REMOTE RESETTING



TFP 1331

Body: Ductile Iron
Корпус: Ковкий чугун
Gövde: Duktül Demir

Coating: Corrosion Resistant Red Rilsan
Покрытие: Устойчивое к коррозии покрытие Rilsan красного цвета
Kaplama: Korozyona Dayanıklı Kırmızı Rilsan



Standard Assembly:
Deluge Valve [DV-5]
Pressure Alarm Switch [PS10-1]
Actuation: Electric, Remote Setting
No Stop Valve*

Комплект узла управления:
Узел управления для дренчерных установок [DV-5]
Сигнализатор давления [PS10-1]
Пуск: Электрическое, дистанционная настройка
Запорная арматура не входит в комплект*

Standart Tertibat:
Baskın Vana [DV-5]
Basınç Alarm Anahtarı [PS10-1]
Çalıştırma: Elektrikli, Uzaktan Ayarlama
No Stop Vanası*

DV-5 UL Remote Resetting/DV-5 VDS Дистанционный сброс/DV-5 UL Uzaktan Resetleme

Art. Nr.	DN	Actuation Пуск Aktivasyon Çalıştırma	Inlet Вход Giriş	Outlet Выход Çıkış	A mm	B mm	C mm	D mm	E mm	F mm	G mm	≡	
8428000261	50	2"	Electric/Электрический/Elektrik**	GRV 60.3	GRV 60.3	220	355	267	232	181	395	76	✓
8438000261	80	3"	Electric/Электрический/Elektrik**	GRV 88.9	GRV 88.9	325	355	267	265	198	486	22	✓
8038000261	80	3"	Electric/Электрический/Elektrik**	PN10/16	PN10/16	325	355	267	265	198	486	22	✓
8448000261	100	4"	Electric/Электрический/Elektrik**	GRV 114.3	GRV 114.3	400	364	267	299	254	562	16	✓
8048000261	100	4"	Electric/Электрический/Elektrik**	PN10/16	PN10/16	400	364	267	299	254	562	16	✓
8468000261	150	6"	Electric/Электрический/Elektrik**	GRV 168.3	GRV 168.3	465	389	267	364	289	592	46	✓
8068000261	150	6"	Electric/Электрический/Elektrik**	PN10/16	PN10/16	465	389	267	364	289	592	46	✓
8488000261	200	8"	Electric/Электрический/Elektrik**	GRV 219.1	GRV 219.1	570	413	267	406	305	648	187	✓
8088000261	200	8"	Electric/Электрический/Elektrik**	PN10/16	PN10/16	570	413	267	406	305	648	187	✓

*For Stop Valve see chapter 3, to be ordered separate/Запорная арматура заказывается отдельно (см. раздел 3)/Durdurma Vanası için 3. bölüme bakınız, özel olarak sipariş edilecektir

**Electric actuation with special impulse type solenoid valve for re-setting feature

**Электрическое пусковое устройство – специальный соленоидный клапан импульсного типа для сброса узла управления

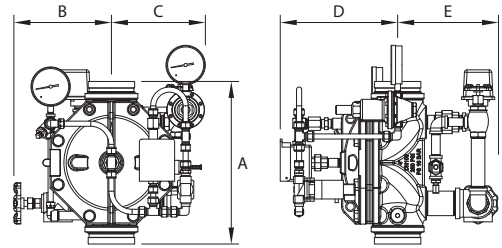
**Resetleme özelliği için özel tip selenoid vana ile elektrikli aktivasyon

Deluge System Valves Assemblies, DV-5 Remote Resetting, Pressure Reducing

- R** Узлы управления для дренчерных установок DV-5 с обвязкой с функцией дистанционного сброса и поддержания заданного давления
- T** Baskın Alarm Vana Tertibatları, DV-5, Uzaktan Resetleme Basınç Düşürücülü



 TFP 1332



Body: Ductile Iron
Корпус: Ковкий чугун
Gövde: Duktıl Demır

Coating: Corrosion Resistant Red Rilsan
Покрyтие: Устойчивое к коррозии покрытие Rilsan красного цвета
Kaplama: Korozyona Dayanıklı Kırmızı Rilsan

Standard Assembly:

Deluge Valve [DV-5]

Pressure Alarm Switch [PS10-1]

Pressure Reducing Pilot Valve

Actuation: Electric, Remote Setting

No Stop Valve*

Комплект узла управления:

Узел управления для дренчерных установок [DV-5]

Сигнализатор давления [PS10-1]

Редуктор давления

Пуск: Электрический, функция дистанционного сброса

Запорная арматура не входит в комплект*

Standart Tertibat:

Baskın Vana [DV-5]

Basınç Alarm Anahtarı [PS10-1]

Basınç Düşürücü Pilot Vanası

Aktivasyon : Elektrikli, Uzaktan Ayarlama

No Stop Vanası*

DV-5 VDS Remote Resetting Pressure Reducing/DV-5 UL Дистанционный сброс, поддержание давления/DV-5 VDS Uzaktan Resetleme, Basınç Düşürücülü											
Art. Nr.	DN	Actuation Пуск Aktivasyon	Inlet Вход Giriş	Outlet Выход Çıkış	A mm	B mm	C mm	D mm	E mm	√	
8449100161	100	4"	Electric/Электрический/Elektrik*	GRV 114.3	GRV 114.3	394	218.3	219.2	276.6	238.9	√
8049100161	100	4"	Electric/Электрический/Elektrik*	PN10/16	PN10/16	394	218.3	219.2	276.6	238.9	√
8469100161	150	6"	Electric/Электрический/Elektrik*	GRV 168.3	GRV 168.3	470	268.7	263.2	341.9	263.8	√
8069100161	150	6"	Electric/Электрический/Elektrik*	PN10/16	PN10/16	470	268.7	263.2	341.9	263.8	√

*For Stop Valve see chapter 3, to be ordered separate/Запорная арматура заказывается отдельно (см. раздел 3)/Durdurma Vanası için 3. bölüme bakınız, özel olarak sipariş edilecektir

**Electric actuation with special impulse type solenoid valve for re-setting feature

**Электрическое пусковое устройство – специальный соленоидный клапан импульсного типа для сброса узла управления

**Resetleme özelliği için özel tip selenoid vana ile elektrikli aktivasyon

Deluge System Valves Assemblies, Alu-Bronze

- R** Узлы управления для дренчерных установок DV-5 с обвязкой (материал корпуса – сплав алюминия и бронзы)
- T** Baskın Alarm Vanası Tertibatları Alüminyum Bronz



DV-5 ALU-BRONZE

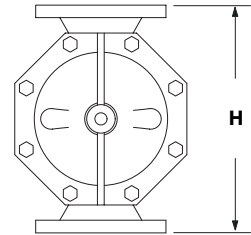


TFP1305A

Body/Handhole cover: **Aluminium Bronze AB2 per BS1400 [UNS C63000]**
 Корпус/крышка: Сплав алюминия-и бронзы AB2 в соответствии с BS1400 [UNS C63000]
 Gövde /Elle Müdahale: Kapağı BS14000 uyarınca Alüminyum Bronz AB2 [UNS C63000]

Diaphragm: **Ethylene propylene diene M-class rubber [EPDM]**
 Диафрагма: Этилен-пропиленовый каучук
 Diyafram: Etilen propilen dien M-sınıfı kauçuk [EPDM]

Diaphragm cover fasteners: **Type 316 stainless steel**
 Крепления крышки диафрагмы: Нержавеющая сталь типа 316
 Diyafram kapağı bağlantı elemanları: Tip 316 paslanmaz çelik



Model DV-5 ALU-BRONZE

Art. Nr.	DN	Inlet Вход Giriş	Outlet Выход Giriş	Drain* Дренаж Drenaj*	H mm	Kg	FM	VDS
524781110	50	2"	ISO x ISO	ISO x ISO	3/4"ISO	220	9.5	√ √
524781130	50	2"	ANSI x ANSI	ANSI x ANSI	3/4" NPT	220	9.5	√ √
524781010	50	2"	ANSI x ANSI	ANSI x ANSI	3/4" NPT	220	9.5	√ √
524785112	80	3"	ISO x ISO	ISO x ISO	1.1/4"ISO	324	19.5	√ √
524781132	80	3"	ANSI x ANSI	ANSI x ANSI	1.1/4" NPT	324	19.5	√ √
524781012	80	3"	ANSI x ANSI	ANSI x ANSI	1.1/4" NPT	324	19.5	√ √
524784113	100	4"	ISO x ISO	ISO x ISO	2"ISO	400	40.8	√ √
524785113	100	4"	ANSI x ANSI	ANSI x ANSI	2" NPT	400	40.8	√ √
524781013	100	4"	ANSI x ANSI	ANSI x ANSI	2" NPT	400	40.8	√ √
524784115	150	6"	ISO x ISO	ISO x ISO	2"ISO	460	57.2	√ √
524785115	150	6"	ANSI x ANSI	ANSI x ANSI	2" NPT	460	57.2	√ √
524781015	150	6"	ANSI x ANSI	ANSI x ANSI	2" NPT	460	57.2	√ √
524781116	200	8"	ISO (PN10) x ISO (PN10)	ISO (PN10) x ISO (PN10)	2"ISO	570	97.5	√ √
524781136	200	8"	ISO (PN10) x ISO (PN10)	ISO (PN10) x ISO (PN10)	2" NPT	570	97.5	√ √
524781126	200	8"	ISO (PN16) x ISO (PN16)	ISO (PN16) x ISO (PN16)	2"ISO	570	97.5	√ √
524781146	200	8"	ISO (PN16) x ISO (PN16)	ISO (PN16) x ISO (PN16)	2" NPT	570	97.5	√ √
524781016	200	8"	ANSI x ANSI	ANSI x ANSI	2" NPT	570	97.5	√ √

Max. 17.2 Bar [250 Psi]

*Drain dimensions shown are relevant to FM approvals, other dimensions available on request /
 *Приведенные диаметры для дренажа соответствуют требованиям FM, другие варианты доступны под заказ/
 *Gösterilen drenaj boyutları FM onaylarına uygundur, diğer boyutlar talep halinde mevcuttur

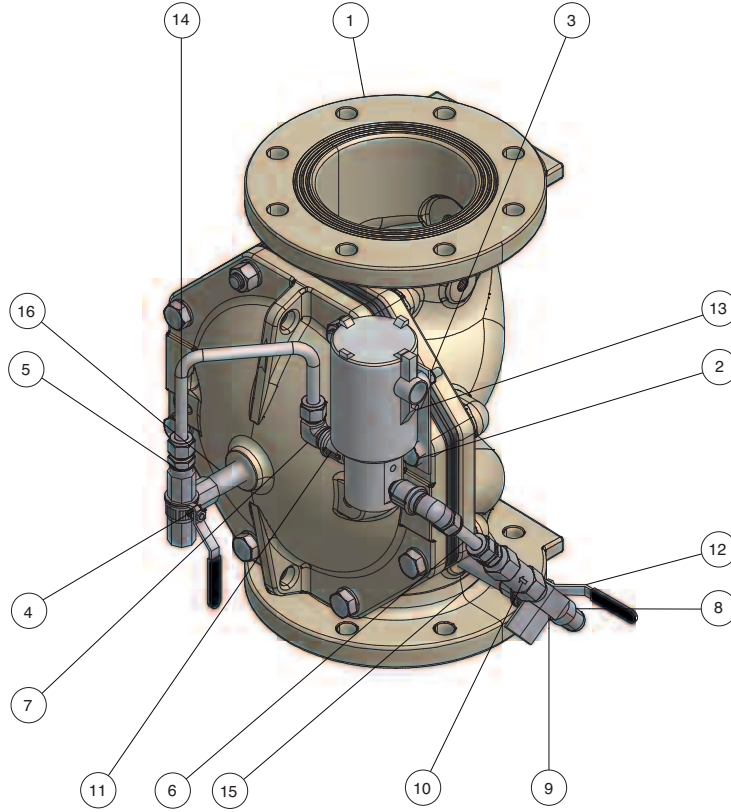
Basic Trim Stainless Steel 316 / Базовые варианты обвязки из нержавеющей стали 316 / Temel Trim Paslanmaz Çelik 316

Art. Nr.	DN	Description Описание Tanım	
52478200E	50	2"	Wet Pilot Actuation without drain / Гидравлический пуск без дренажа / Drensiz Islak Pilot Aktivasyon
52478201E	80	3"	Wet Pilot Actuation without drain / Гидравлический пуск без дренажа / Drensiz Islak Pilot Aktivasyon
52478202E	100	4"	Wet Pilot Actuation without drain / Гидравлический пуск без дренажа / Drensiz Islak Pilot Aktivasyon
52478203E	150	6"	Wet Pilot Actuation without drain / Гидравлический пуск без дренажа / Drensiz Islak Pilot Aktivasyon
52478204E	200	8"	Wet Pilot Actuation without drain / Гидравлический пуск без дренажа / Drensiz Islak Pilot Aktivasyon
52478300E	50-200	2"-8"	Complimentary trim for Electric Actuation without Solenoid Valve / Обвязка для узла управления с электрическим пуском без соленоидного клапана / Solenoid Vana olmadan Elektrik Aktivasyonu için tamamlayıcı trim
52478301E	-	-	Solenoid Valve SS316-3-Way normally open 24 VDC / 3-ходовой соленоидный клапан из нержавеющей стали типа 316 (нормально закрыт), 24 В пост. тока / Solenoid Vana SS316-3 Yollu Normalde Açık, 24
52478400E	50-200	2"-8"	Complimentary trim for Dry Pilot Actuation without Dry Pilot actuator / Обвязка для узла управления с пневматическим пуском без пневматического пускового устройства / Kuru Pilot Aktivatör olmadan Kuru Pilot aktivasyonu için tamamlayıcı trim
52478401E	-	-	Dry Pilot actuator SS316 / Пневматическое пусковое устройство из нержавеющей стали типа 316 / Kuru Pilot Aktivatörü SS316
52478500E	20	3/4"	Optional Drain Trim / Дополнительная обвязка для дренажа / İsteğe Bağlı Drenaj Trimi
52478501E	25	1"	Optional Drain Trim / Дополнительная обвязка для дренажа / İsteğe Bağlı Drenaj Trimi
52478502E	32	1.1/4"	Optional Drain Trim / Дополнительная обвязка для дренажа / İsteğe Bağlı Drenaj Trimi
52478503E	40	1.1/2"	Optional Drain Trim / Дополнительная обвязка для дренажа / İsteğe Bağlı Drenaj Trimi
52478504E	50	2"	Optional Drain Trim / Дополнительная обвязка для дренажа / İsteğe Bağlı Drenaj Trimi

Trim material available on request / Другие варианты материалов исполнения обвязки доступны под заказ / Trim materyali talep üzerine sunulur

Deluge System Valves Assemblies

- R** Узлы управления для дренчерных установок с обвязкой
- T** Baskın Alarm Vanası Tertibatları



Pos.	Description	Поз.	Описание	Poz.	Tanım
1	DV-5 Deluge NiAlBr valve	1	Узел управления DV-5 из сплава никеля, алюминия и бронзы	1	DV-5 Baskın NiAlBr vanası
	SS316 trimming:				SS316 trim:
2	Mounting plate		Обвязка из нержавеющей стали типа 316, включающая следующие элементы:	2	Montaj plakası
3	Hexagonal nut M8 DIN 934		316, включающая следующие элементы:	3	Altigen somun M8 DIN 934
4	3-way Ball Valve 1/2"	2	Монтажная пластина	4	3 Yollu Küresel Vana 1/2"
5	Male connector 1/2"	3	Шестигранная гайка M8 DIN 934	5	Erkek bağlantı 1/2"
6	Tube OD12mm	4	3-ходовой шаровой кран 1/2 дюйма	6	Boru OD12mm
7	Male elbow, 12 mm OD	5	Наружный коннектор 1/2 дюйма	7	Erkek dirsek, 12 mm OD
8	Elbow threaded fitting 1/2"	6	Трубка внеш. диам. 12 мм	8	Dirsek dişli fittingi 1/2"
9	Tee type filter, 1/2" Male NPT	7	Наружное колено, внеш. диам. 12 мм	9	T tipi filtre, 1/2" Erkek NPT
10	Compact check valve 1/2"	8	Коленчатый резьбовой фитинг 1/2 дюйма	10	Kompakt çek vana 1/2"
11	Malleable fitting 1/2"	9	Тройник с наружной резьбой 1/2 дюйма	11	Şekillendirilebilir fitting 1/2"
12	2-way ball valve 1/2"	10	Компактный обратный клапан 1/2 дюйма	12	2 Yollu küresel vana 1/2"
13	Solenoid valve	11	Чугунный фитинг 1/2 дюйма	13	Solenoid vana
14	Tube OD12mm	12	2-ходовой шаровой кран 1/2 дюйма	14	Boru OD12mm
15	Pipe nipple 1/2" Male Length 80 mm	13	Соленоидный клапан	15	Boru nipeli 1/2" Erkek Uzunluk 80 mm
16	Pipe nipple DN15 Male BSPT Length 60 mm	14	Трубка внеш. диам. 12 мм	16	Boru nipeli DN15 Erkek BSPT Uzunluk 60 mm
		15	Штуцер для трубы, резьба 1/2 дюйма наружная Длина 80 мм		
		16	Штуцер для трубы, DN15 наружная резьба BSPT Длина 60 мм		

- **Customized trim configuration available on request/Индивидуальная конфигурация обвязки доступна под заказ/**
Talep halinde özel trim yapılandırması mevcuttur

- **Trim is available in a variety of alternative materials/Обвязка доступна в исполнении из различных альтернативных материалов/**
Talep halinde özel trim yapılandırması mevcuttur

- **Trim can also be provided on a trimboard/Комплект также может предоставляться на панели с вырезом/Trim bir trim panosu üzerinde de temin edilebilir**

- **Valve and trim assembled, functional and hydrostatically tested/Комплект узла управления и обвязки собран, готов к работе, также проведены гидравлические испытания/Vana ve trim monte edilir, işlevsel ve hidrostatik olarak test edilir**

- **Custom made solutions and skids/Возможно изготовление обвязки под заказ/Özel çözümler ve kızaklar**

Deluge Valves, Butterfly Wafer, BW

- R** Клапан для дренчерных установок, дисковый, межфланцевый, модель BW
- T** Baskın Alarm Vanaları, Flanşlı Kelebek Vanalar, BW

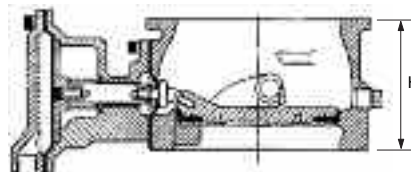


BW



AS115

Body: **Leaded Gunmetal**
 Корпус: Свинцовая орудийная бронза
 Gövde: Kurşunlu Topmetal



Model BW						
Art. Nr. Vert.	Art. Nr. Hor.	DN	H mm	PN	○ Kg	□ PCB
02408	02411	80 3"	95	PN16	12	✓
02333	02366	100 4"	115	PN16	14	✓
02326	02353	150 6"	127	PN16	22	✓
02370	02687	200 8"	160	PN16	38	✓

Trim/Обвязка/Trim		
Art. Nr. Std.	Art. Nr. Air/Water	DN
02409K	03254K	80 3"
02334K	03200K	100 4"
02201K	03201K	150 6"
02371K	03202K	200 8"

Max. 16 Bar [230 Psi] Water/Вода/Su
 Max. 4.0 Bar [58 Psi] Air/Воздух/Hava

Pressure/Давление/Basınç	
Water Bar [Psi] Вода Su	Air Bar [Psi] Воздух Hava
4-6 [58-87]	2.3 [33]
8-12 [116-174]	3.3 [48]
14-16 [203-230]	4.0 [58]

20 Bar water available on request/Версия, рассчитанная на давление воды 20 бар, доступна под заказ/20 Bar su talep halinde mevcuttur

Preaction System Valves

● Узлы управления типа Preaction

● Öntepkimeli Alarm Vanaları

Preaction System Valve Single Interlock Electric

Узел управления типа Preaction с одиночной блокировкой (электрический пуск)
Öntepkimeli Alarm Vanası, Tek Kilitlemeli, Elektrikli



P. 3.047

Preaction System Valve Single Interlock Dry

Узел управления типа Preaction с одиночной блокировкой (пневматический пуск)
Öntepkimeli Alarm Vanası, Tek Kilitlemeli, Kuru



P. 3.048

Preaction System Valve Double Interlock Electric/Electric

Узел управления типа Preaction с двойной блокировкой (электро/электро пуск)
Öntepkimeli Alarm Vanası, Çift Kilitlemeli, Elektrikli/Elektrikli



P. 3.049

Preaction System Valve Double Interlock Electric/Pneumatic

Узел управления типа Preaction с двойной блокировкой (электро/пневмо пуск)
Öntepkimeli Alarm Vanası, Çift Kilitlemeli, Elektrikli/Pnömatik



P. 3.050

Preaction System Valves Model Preaction Type A

Узел управления типа Preaction, тип А
Öntepkimeli Alarm Vanaları Öntepkimeli Tip A Modeli



P. 3.051

Preaction System Valves Model Preaction Type B

Узел управления типа Preaction, тип В
Öntepkimeli Alarm Vanaları Öntepkimeli Tip B Modeli



P. 3.052

Preaction System Valve Assemblies Single Interlock Electric

- R** Узел управления типа Preaction с одиночной блокировкой (электрический пуск)
- T** Öntepkimeli Alarm Vanası Tertibatları, Tek Kilitlemeli, Elektrikli



DV-5 FM SINGLE ELECTRIC



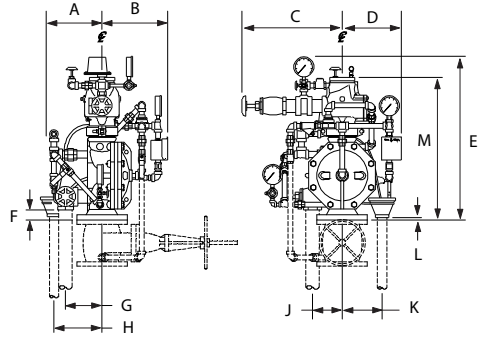
TFP 1420

Body:
Корпус:
Gövde:

Ductile Iron
Ковкий чугун
Duktil Demir

Coating:
Покрытие:
Kaplama:

Red Paint
Красная краска
Kırmızı Boya



Standard Assembly:
Preaction System Single Deluge Valve [DV-5]
Check Valve [CV-1FR]
Pressure Alarm Switch [PS10-2]
Actuation: Electric
No Stop Valve*

Комплект узла управления:
Узел управления с одиночной блокировкой
Клапан для дренажной установки [DV-5]
Обратный клапан [CV-1FR]
Сигнализатор давления [PS10-2]
Пуск: Электрический
Запорная арматура не входит в комплект*

Standart Tertibat:
Öntepkimeli Sistem, Tekli
Baskın Vana [DV-5]
Çek Vanası [CV-1FR]
Basınç Alarm Anahtarı [PS10-2]
Çalıştırma: Elektrik
No Stop Vanası*

*For Stop Valve see chapter 3, needs to be ordered separately/Запорная арматура заказывается отдельно (см. раздел 3)/Durdurma Vanası için 3. bölüme bakınız, özel olarak sipariş edilmektedir

Art. Nr.	DN	Actuation Пуск Çalıştırma	Inlet Вход Giriş	Outlet Выход Çıkış	A mm	B mm	C mm	D mm	E mm	F mm	G mm	H mm	J mm	K mm	L mm	M mm	Q Kg
7427200106	50	2" Electric/Электрический/Elektrik	P10/16	GRV	181	232	330	267	535	79	152	152	76	178	79	391	54
7437200106	80	3" Electric/Электрический/Elektrik	P10/16	GRV	198	265	368	267	635	43	170	170	108	178	6	537	67
7447200106	100	4" Electric/Электрический/Elektrik	P10/16	GRV	254	299	454	267	740	45	165	218	159	181	10	645	83
7467200106	150	6" Electric/Электрический/Elektrik	P10/16	GRV	289	364	476	267	811	89	200	252	159	181	40	753	111
7487200106	200	8" Electric/Электрический/Elektrik	P10/16	GRV	305	406	540	267	811	89	200	252	159	181	40	753	140
7527200106	50	2" Electric/Электрический/Elektrik	GRV	GRV	181	232	330	267	535	79	152	152	76	178	79	391	54
7537200106	80	3" Electric/Электрический/Elektrik	GRV	GRV	198	265	368	267	635	43	170	170	108	178	6	537	63
7547200106	100	4" Electric/Электрический/Elektrik	GRV	GRV	254	299	454	267	740	45	165	218	159	181	10	645	77
7567200106	150	6" Electric/Электрический/Elektrik	GRV	GRV	289	364	476	267	811	89	200	252	159	181	40	753	107

Other options available on request/Другие варианты доступны под заказ/Diğer seçenekler talep üzerine mevcuttur

Preaction System Valve Assemblies Single Interlock Dry

R Узел управления типа Preaction с одиночной блокировкой (пневматический пуск)

T Öntepkimeli Alarm Vanası Tertibatları, Tek Kilitlemeli, Kuru



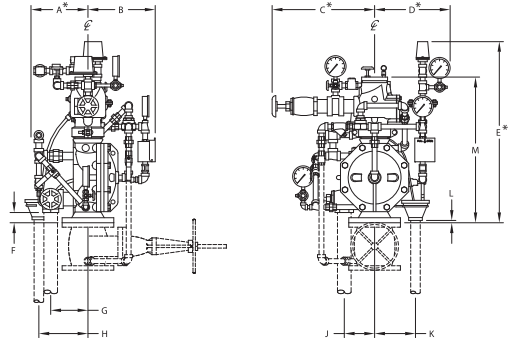
DV-5 FM SINGLE DRY



TFP 1415

Body: Ductile Iron
Корпус: Ковкий чугун
Gövde: Duktıl Demір

Coating: Red Paint
Покрытие: Красная краска
Kaplama: Kırmızı Boya



Standard Assembly:
Preaction System Single
Deluge Valve [DV-5]
Check Valve [CV-1FR]
Pressure Alarm Switch [PS10-2]
Actuation: Electric
No Stop Valve*

Комплект узла управления:
Узел управления с одиночной блокировкой
Клапан для дренажной установки [DV-5]
Обратный клапан [CV-1FR]
Сигнализатор давления [PS10-2]
Пуск: Пневматический
Запорная арматура не входит в комплект*

Standart Tertibat:
Öntepkimeli Sistem, Tekli
Baskın Vana [DV-5]
Çek Vana [CV-1FR]
Basınç Alarm Anahtarı [PS10-2]
Çalıştırma: Elektrik
No Stop Vanası*

*For Stop Valve see chapter 3, needs to be ordered separately/Запорная арматура заказывается отдельно (см. раздел 3)/Durdurma Vanası için 3. bölüme bakınız, özel olarak sipariş edilmelidir

Art. Nr.	DN	Actuation Пуск Çalıştırma	Inlet Вход Giriş	Outlet Выход Çıkış	A mm	B mm	C mm	D mm	E mm	F mm	G mm	H mm	J mm	K mm	L mm	M mm	kg
7547200139	100 4"	Dry/Пневматический/Круги	GRV	GRV	254	299	454	267	800	45	165	218	159	181	10	645	94
7447200139	150 6"	Dry/Пневматический/Круги	PN10/16	GRV	289	364	476	267	811	89	200	252	159	181	40	753	100
7467200139	100 4"	Dry/Пневматический/Круги	PN10/16	GRV	254	299	454	267	800	45	165	218	159	181	10	645	130

Other options available on request/Другие варианты доступны под заказ/ Diğer seçenekler talep üzerine mevcuttur

Preaction System Valve Assemblies Double Interlock Electric/Electric

- R** Узел управления типа Preaction с двойной блокировкой (электро/электро пуск)
- T** Öntepkimeli Alarm Vanası Tertibatları, Çift Kilitlemeli, Elektrikli/Elektrikli



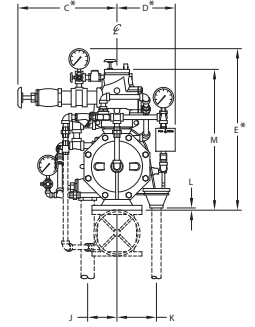
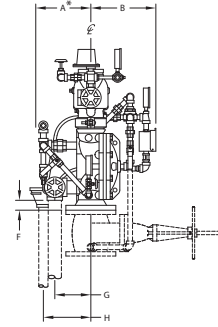
**DV-5 DOUBLE INTERLOCK
ELECTRIC/ELECTRIC**



TFP1465

Body: Ductile Iron
Корпус: Ковкий чугун
Gövde: Duktıl Demір

Coating: Red Paint
Покрытие: Красная краска
Kaplama: Kırmızı Boya



Standard Assembly:
**Preaction System Single
Deluge Valve [DV-5]
Check Valve [CV-1FR]
Pressure Alarm Switch [PS10-2]
Actuation: Electric
No Stop Valve***

Комплект узла управления:
Узел управления с двойной блокировкой
Клапан для дренажной установки [DV-5]
Обратный клапан [CV-1FR]
Сигнализатор давления [PS10-2]
Пуск Электрический
Запорная арматура не входит в комплект*

Standart Tertibat:
Öntepkimeli Sistem, Tekli
Baskın Vana [DV-5]
Çek Vanası [CV-1FR]
Basınç Alarm Anahtarı [PS10-2]
Çalıştırma: Elektrik
No Stop Vanası*

*For Stop Valve see chapter 3, needs to be ordered separately/Запорная арматура заказывается отдельно (см. раздел 3)/Durdurma Vanası için 3. bölüme bakınız, özel olarak sipariş edilmelidir

Art. Nr.	DN	Actuation Пуск Çalıştırma	Inlet Вход Giriş	Outlet Выход Çıkış	A mm	B mm	C mm	D mm	E mm	F mm	G mm	H mm	J mm	K mm	L mm	M mm	UL	FM
75A7200250	40	1.1/2" Electric/Электрический/Elektrik	GRV	GRV	178	225	330	267	521	102	148	148	76	178	102	376	√	√
7527200250	50	2" Electric/Электрический/Elektrik	GRV	GRV	181	232	330	267	535	79	152	152	76	178	79	390	√	√
7537200250	80	3" Electric/Электрический/Elektrik	GRV	GRV	198	265	368	267	635	43	170	170	108	178	6	537	√	√
7547200250	0	4" Electric/Электрический/Elektrik	GRV	GRV	254	299	454	267	740	45	165	218	159	181	10	645	√	√
7567200250	150	6" Electric/Электрический/Elektrik	GRV	GRV	289	364	476	267	811	89	200	252	159	181	40	753	√	√
7587200250	200	8" Electric/Электрический/Elektrik	GRV	GRV	305	406	540	267	934	45	273	270	159	181	181	927	√	√

Other options available on request/Другие варианты доступны под заказ/Diğer seçenekler talep üzerine mevcuttur/

Preaction System Valve Assemblies Double Interlock Electric/Pneumatic

- R** Узел управления типа Preaction с двойной блокировкой (электро/пневмо пуск)
- T** Öntepkimeli Alarm Vanası Tertibatları, Çift Kilitlemeli, Elektrikli/Pnömatik



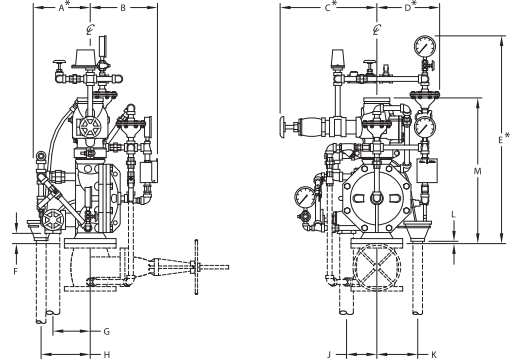
**DV-5 DOUBLE INTERLOCK
ELECTRIC/PNEUMATIC**



TFP1460

Body: Ductile Iron
Корпус: Ковкий чугун
Gövde: Duktül Demir

Coating: Red Paint
Покрытие: Красная краска
Kaplama: Kırmızı Boya



Standard Assembly:
Preaction System Single
Deluge Valve [DV-5]
Check Valve [CV-1FR]
Pressure Alarm Switch [PS10-2]
Actuation: Electric
No Stop Valve*

Комплект узла управления:
Узел управления с двойной блокировкой
Клапан для дренажной установки [DV-5]
Обратный клапан [CV-1FR]
Сигнализатор давления [PS10-2]
Пуск: Электрический
Запорная арматура не входит в комплект*

Standart Tertibat:
Öntepkimeli Sistem, Tekli
Baskın Vana [DV-5]
Çek Vana [CV-1FR]
Basınç Alarm Anahtarı [PS10-2]
Çalıştırma: Elektrik
No Stop Vanası*

*For Stop Valve see chapter 3, needs to be ordered separately/Запорная арматура заказывается отдельно (см. раздел 3)/Durdurma Vanası için 3. bölüme bakınız, özel olarak sipariş edilmelidir

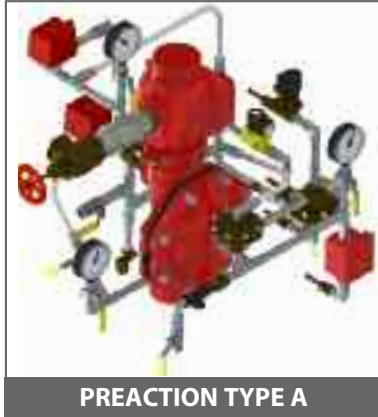
Art. Nr.	DN	Actuation Пуск Çalıştırma	Inlet Вход Giriş	A	B	C	D	E	F	G	H	J	K	L	M	FM	FM	
				mm	mm	mm	mm	mm	mm	mm	mm	mm	mm	mm	mm			
75A7200233	40	1.1/2"	Electric/Pneumatic*	GRV	178	225	330	267	689	102	148	148	76	178	102	376	√	√
7527200233	50	2"	Electric/Pneumatic*	GRV	181	232	330	267	699	79	152	152	76	178	79	390	√	√
7537200233	80	3"	Electric/Pneumatic*	GRV	198	265	368	267	787	43	170	170	108	178	6	537	√	√
7547200233	100	4"	Electric/Pneumatic*	GRV	254	299	454	267	905	45	165	218	159	181	10	645	√	√
7567200233	150	6"	Electric/Pneumatic*	GRV	289	364	476	267	919	89	200	252	159	181	40	753	√	√
7587200233	200	8"	Electric/Pneumatic*	GRV	305	406	540	267	1029	45	273	270	159	181	181	927	√	√

Other options available on request/Другие варианты доступны под заказ/Diğer seçenekler talep üzerine mevcuttur

*Electric/Pneumatic/Электрический/Пневматический/Elektrikli/Pnömatik

Preaction System Valve Assemblies Type A

- R** Узел управления типа Preaction, тип A
- T** Öntepkili Alarm Vanası Tertibatları Tip A



TFP1484

Body: Ductile Iron
Корпус: Ковкий чугун
Gövde: Duktıl Demır

Coating: Red Paint
Покрытие: Красная краска
Kaplama: Kırmızı Boya

PREACTION TYPE A

Standard Assembly:
Deluge Valve [DV-5]
Check Valve [CV-1FR]
Pressure Alarm Switch [PS10-1]
Actuation: Electric
No Stop Valve*

Комплект узла управления:
Клапан для дренажной установки [DV-5]
Обратный клапан [CV-1FR]
Сигнализатор давления [PS10-1]
Пуск: Электрический
Запорная арматура не входит в комплект*

Standart Tertibat:
Baskın Vana [DV-5]
Çek Vanası [CV-1FR]
Basınç Alarm Anahtarı [PS10-1]
Aktivasyon: Elektrik
No Stop Vanası*

*For Stop Valve see chapter 3, to be ordered separate/Запорная арматура заказывается отдельно (см. раздел 3)/Durdurma Vanası için 3. bölüme bakınız, özel olarak sipariş edilecektir

Art. Nr.	DN		Actuation* Пуск Çalıştırma	Inlet Вход Giriş	Outlet Выход Çıkış	VDS
75A9000200	40	1.1/2"	Electric/Электрический/Elektrik *	GRV 60.3	GRV	✓*
7529000200	50	2"	Electric/Электрический/Elektrik *	GRV 60.3	GRV 60.3	✓*
7429000200	50	2"	Electric/Электрический/Elektrik *	PN10/16	GRV 60.3	✓*
7539000200	80	3"	Electric/Электрический/Elektrik *	GRV 88.9	GRV 88.9	✓*
7439000200	80	3"	Electric/Электрический/Elektrik *	PN10/16	GRV 60.3	✓*
7549000200	100	4"	Electric/Электрический/Elektrik *	GRV 114.3	GRV 114.3	✓*
7449000200	100	4"	Electric/Электрический/Elektrik *	PN10/16	GRV 114.3	✓*
7569000200	150	6"	Electric/Электрический/Elektrik *	GRV 168.3	GRV 168.3	✓*
7469000200	150	6"	Electric/Электрический/Elektrik *	PN10/16	GRV 168.3	✓*
7589000200	200	8"	Electric/Электрический/Elektrik *	GRV 219.1	GRV 219.1	✓*
7489000200	200	8"	Electric/Электрический/Elektrik *	PN16	GRV 219.1	✓*

***This is a dry pipe system in which the alarm valve station is activated by an automatic fire detection system but not by the operation of the sprinklers. In the event of a fire detection fault, the pre-action installation shall operate as a dry pipe installation/**

*Это воздушная установка, в которой клапан приводится в действие при срабатывании системы обнаружения пожара, а не при активации спринклеров. В случае отказа (ошибки) системы обнаружения пожара, система работает аналогично воздушной установке/

*Bu sistem, alarm vanası istasyonunun, sprinklerin açılmasıyla değil, otomatik yangın alarm sisteminin algılama yapması sonucunda devreye giren bir kuru alarm sistemidir. Yangın algılamada herhangi bir hata olması durumunda öntepkimeli vana kuru alarm vanası gibi çalışacaktır.

*VDS approved/Имеет сертификат Vds/VdS onaylıdır

Preaction System Valve Assemblies Type B

- R** Узел управления типа Preaction, тип B
- T** Öntepkili Alarm Vanası Tertibatları Tip B



TFP1486

Body: Ductile Iron
Корпус: Ковкий чугун
Gövde: Duktül Demir

Coating: Red Paint
Покрытие: Красная краска
Kaplama: Kırmızı Boya

PREACTION TYPE B

Standard Assembly:
Dry Pipe Valve [DPV-1]
Pressure Alarm Switch [PS10-1]
Actuation: Electric or dry
No Stop Valve*

Комплект узла управления:
Клапан для воздушной установки [DPV-1]
Сигнализатор давления [PS10-1]
Пуск Электрический или пневматический
Запорная арматура не входит в комплект*

Standart Tertibat:
Kuru Alarm Vanası [DPV-1]
Basınç Alarm Anahtarı [PS10-1]
Çalıştırma: Elektrikli veya kuru
No Stop Vanası*

*For Stop Valve see chapter 3, to be ordered separate/Запорная арматура заказывается отдельно (см. раздел 3)/Durdurma Vanası için 3. bölüme bakınız, özel olarak sipariş edilecektir

Art. Nr.	DN	Actuation Пуск Aktivasyon	Inlet Вход Giriş	Outlet Выход Çıkış	VDS
2849000101	100	4" Electric or Dry/Электрический или пневматический/Elektrikli veya Kuru	GRV 114.3	GRV 114.3	√*
2849000101	100	4" Electric or Dry/Электрический или пневматический/Elektrikli veya Kuru	PN10/16	GRV 114.3	√*
2749000101	100	4" Electric or Dry/Электрический или пневматический/Elektrikli veya Kuru	PN10/16	PN10/16	√*
2869000101	150	6" Electric or Dry/Электрический или пневматический/Elektrikli veya Kuru	GRV 114.3	GRV 114.3	√*
2869000101	150	6" Electric or Dry/Электрический или пневматический/Elektrikli veya Kuru	PN10/16	GRV 114.3	√*
2769000101	150	6" Electric or Dry/Электрический или пневматический/Elektrikli veya Kuru	PN10/16	PN10/16	√*

***This is a dry pipe system in which the alarm valve station is opened either by an automatic fire detection system or by the operation of the sprinklers. Independently of the response of the detectors, a pressure drop in the pipework causes the opening of the alarm valve/**

*Это воздушная установка, в которой клапан приводится в действие либо при срабатывании системы обнаружения пожара либо при активации спринклеров. Падение давления в трубопроводе после активации спринклера приведет к срабатыванию установки независимо от работы датчиков обнаружения пожара/

*Bu sistem, alarm vanası istasyonunun, sprinklerlerin açılmasıyla değil, otomatik yangın alarm sisteminin algılama yapması sonucunda devreye giren bir kuru alarm sistemidir. Dedektörlerin tepkisinden bağımsız olarak, borulardaki bir basınç düşüşü de alarm vanasının açılmasına neden olur.

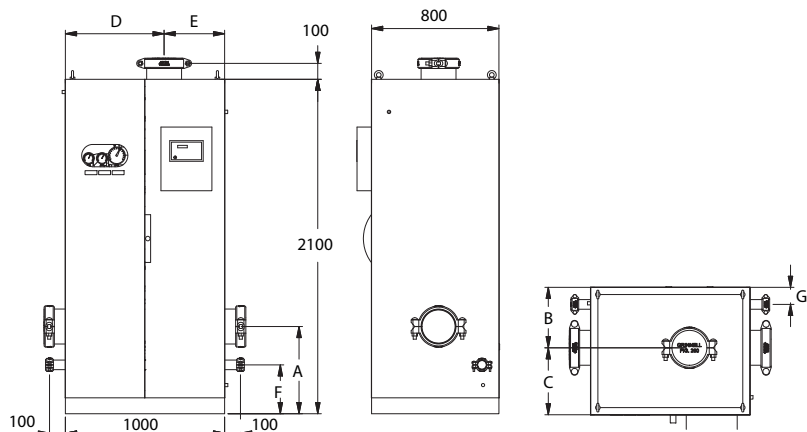
*Vds approved/Имеет сертификат Vds/VdS onaylıdır

Modular Sprinkler Valve Cabinets

- R** Модульные шкафы для узлов управления
- T** Modüler Sprinkler Vana Dolapları



CABINET



Dimensions are for reference only/ Размеры указаны только для примера/ Boyutlar sadece referans amaçlıdır

Standard supply

- Cabinet dimensions: 2100x1000x800
- Steel plate mounted on a base RAL 3000 (Firebrigade red)
- Double door with swing handle.
- Valve and trim can be each standard TYCO assembly number
- Manifold resting on and fixated by support frame
- Supply stop valve (BFV) with supervisory switch (page 3.004)
- Grooved inlet / outlet connection
- 2" shut off valve to flush main water supply line (upstream sprinkler valve)
- All pipes and couplings Hot dip galvanized
- Completely assembled, wired, hydraulically and functionally tested.
- Cabinet dimensions A to G can be defined by the customer.
- Fuse box with residual earthleak devices
- Junction box
- Final configuration as per customer agreed specification

Стандартная поставка

- Габариты шкафа: 2100x1000x800
- Стальная пластина, установленная на основании RAL 3000 (красного пожарного цвета)
- Двойная дверца с поворотной ручкой.
- Узел управления и обвязка могут иметь стандартный артикул Тусо
- Коллектор устанавливается и фиксируется на опорной раме
- Дисковый затвор с индикатором (стр. 4.004)
- Подключение ввода / вывода для грувлочного соединения
- Запорная арматура 2 дюйма для дренажа главной линии подачи воды (над узлом управления)
- Все трубы и муфты оцинкованы горячим способом
- Шкаф проходит гидравлические и функциональные испытания, затем поставляется в собранном виде, с электрическим расключением
- Размеры шкафа от А до G могут быть определены клиентом.
- Блок предохранителей с устройствами защиты от утечки токов на землю
- Распределительная коробка
- Окончательная конфигурация в соответствии со спецификацией, согласованной клиентом

Standart temin

- Dolap boyutları: 2100x1000x800
- RAL 3000 (İtfaiye kırmızısı) baza monte edilmiş çelik plaka
- Hareketli kollu çift kapı
- Vana ve trimin her biri standart TYCO montaj numarası olabilir
- Manifold destek çerçevesine dayanır ve sabitlenir
- Kesme vanasının (BFV) süpervizör anahtarı ile temini (sayfa 3.004)
- Yivli giriş / çıkış bağlantısı
- Ana su besleme hattını yıkamak için 2" kesme vanası (yukarı akış sprinkler vanası)
- Tüm hortumlar ve kaplinler sıcak daldırılmalı galvanizli
- Tamamen kurulmuş, kablo bağlantıları yapılmış, hidrolik ve işlevsel olarak test edilmiş.
- A'dan G'ye kadar olan kabin boyutları müşteri tarafından tanımlanabilir.
- Artık toprak kaçağı cihazlarına ait sigorta kutusu
- Bağlantı kutusu
- Müşteri ile anlaşılan özelliklere göre nihai yapılandırma

Modular Sprinkler Valve Cabinets

- R** Модульные шкафы для узлов управления
- T** Modüler Sprinkler Vana Dolapları

Custom Made Valve Cabinets/Шкафы, исполняемые по индивидуальному заказу/Özel Yapım Vana Dolapları				
Options Опции Seçenekler	Wet Alarm Valve Узел управления для водозаполненной системы Islak Alarm Vanası	Dry Pipe Valve Узел управления для воздушной системы Kuru Alarm Vanası	Deluge Valve Узел управления для дренажной системы Baskın Vana	Preaction Valve Узел управления типа Preaction Öntepkime Vana
Cabinet Stainless steel 316	x	x	x	x
Different sizes cabinets	x	x	x	x
Key lock on door	x	x	x	x
Cabinet for outside, heat insulated (Material: GRP)	x	x	x	x
System stop valve (BFV) with supervisory switch (page 3.004)	x	x	x	x
System stop valve (BFV) without supervisory switch (page 3.004)	x	x	x	x
Bypass with stopvalve (BFV) w or w/o supervisory switch (page 3.004)	x	x	x	x
Test and drain	x	N/A	x	x
Water Motor Alarm (page 2.011)	x	x	x	x
Pressure relief trim (page 2.011)	x	N/A	N/A	N/A
Pressure reducing valve in supply line (page 3.064)	x	x	x	x
Different kind of inlet / outlet connections by means of Split Flange DIN/ANSI	x	x	x	x
Air Maintenance device (page 2.026)	N/A	x	x	x
Electric Releasing Panel	N/A	N/A	x	x
Cabinet Light with switch 11W / socket plug 230V / 50Hz	x	x	x	x
Heater 230V/500W	x	x	x	x
Compressor 230V/1.1 kW (page 2.031)	N/A	x	x	x
RT-4 Low temperature thermostat switch (for low temperature alarm)	x	x	x	x
ATEX (Explosion proof)	x	x	x	x
Manual pull station accessible when cabinet doors are closed (2.038)	N/A	N/A	x	x
Pressure gauges visible through window in cabinet door	x	x	x	x
Instruction manual	x	x	x	x

Manifolds

- R** Коллекторы
- T** Manifoldlar



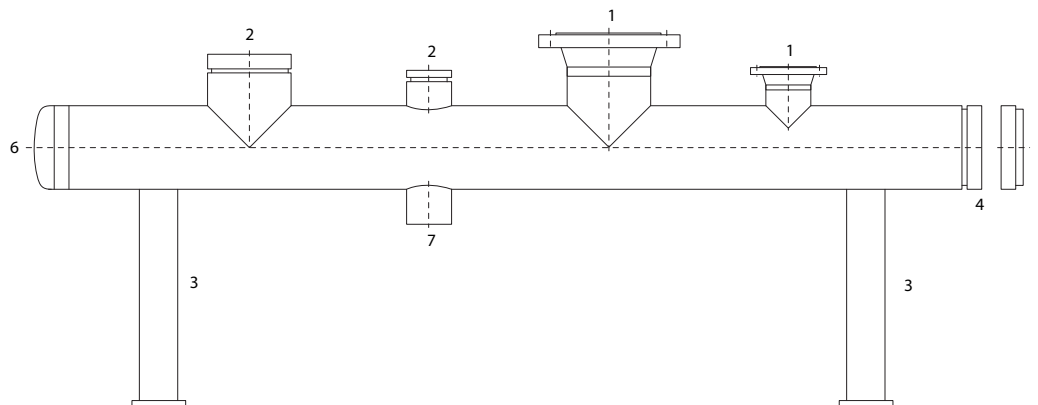
Body: Steel DIN2448
 Корпус: Сталь DIN2448
 Gövde: Çelik DIN2448

Coating: Red coated
 Покрытие: Красная краска
 Kaplama: Peinture Rouge

Manifold Parts List/Список деталей коллектора/Manifold Parça Listesi

Nr.	Description <small>Описание Tanım</small>
1	Flanged ANSI, PN10/16 Inlet, max. 400 mm long /Фланцевый ввод ANSI, PN10/16, макс. длина 400 мм/Flanşlı ANSI, PN10/16 Giriş, maks. 400 mm uzunluk
2	Grooved Inlet, max. 400 mm long /Ввод для грувлочного соединения, макс. длина 400 мм/Yivli Giriş, maks. 400 mm uzunluk
3	Foot, max. 600 mm long /Ножка, макс. длина 600 мм/Ayak, maks. 600 mm uzunluk
4	Grooved Inlet /Ввод для грувлочного соединения/Yivli Giriş
5	Grooved End Cap /Концевая заглушка для грувлочного соединения/Yivli Kôr Tara
6	Welded End Cap /Концевая заглушка для приваривания/Kaynaklı Kôr Tara
7	Drain DN15-DN50 BSP Female /Дренаж DN15-DN50, внутренняя резьба BSP/Drenaj DN15-DN50 BSP Dişi

Sizes and dimensions to be specified/Необходимо указать размеры/Boyutlar belirtilmelidir



Spare Kits

R Комплекты запасных частей

T Yedek Takımlar



SPARE KITS

Art. Nr.	Type	DN	Content Содержание İçerik	Kg
922001216		65 2.1/2"		0.1
922001416	AV-1	100 4"	Clapper facing and handhole cover gasket/	0.12
922001620		150 6"	Облицовка клапана и прокладка крышки люка/	0.18
922001816		200 8"	Kapak contaları, elle müdahale kapak contaları	0.20
922801008	DP-1		Diaphragm/Диафрагма/Diyafram	0.1
923091204		65-80 2 1/2"-3		0.20
923091404	DPV-1	100 4"	Cover gaskets, Clapper facing, O-rings and Grease/Прокладки крышки, облицовка клапана,	0.24
923091604		150 6"	уплотнительные кольца и смазка/Elle Müdahale Kapak Contaları, Kapak Contası, O-ring ve gres yağı	0.34
924141216	A-2	50 2"	Cover gaskets, Clapper facing, O-rings and Grease/Прокладки крышки, облицовка клапана,	0.1
923021416	F302/F3021	100 4"	уплотнительные кольца и смазка/Elle Müdahale Kapak Contaları, Kapak Contası, O-ring ve gres yağı	0.24
923021617		150 6"		0.34
923111116	ACC-1	- -	O-rings, Cover gasket, Plunger, Restriction and Exhaust valve/Уплотнительные кольца, прокладка крышки, плунжер,	0.2
			дроссельный и выпускной клапан/O-ringler, Elle Müdahale Kapak contaları, Piston, Kısmı ve Hava Boşaltma Vanası	
924771105		40 1.1/2"		0.3
924771107	DV-5	50 2"		0.4
924771109		80 3"	Diaphragm/Диафрагма/Diyafram	0.4
924771101		100 4"		0.5
924771103		150 6"		0.6
924771111		200 8"		0.8
924701101	DV-1	100 4"		0.5
924701102		150 6"	Cover gasket, Diaphragm and Clapper facing/Прокладка крышки, диафрагма и облицовка клапана/	0.5
			Elle Müdahale Kapak Contaları, Diyafram ve Kapak Contası	
920201116	DV-2	50 2"	Body gasket, Diaphragm and Facing/Прокладка корпуса, диафрагма и облицовка/	0.15
			Gövde Contaları, Diyafram, ve Elle Müdahale Kapak Contası	
03090		80 3"	Clack Seal, Washers, Valve Port, Grease, Diaphragms and Screws /Уплотнение седла, шайбы,	0.5
03091	BW-DEL	100 4"	порт клапана, смазка, диафрагмы и винты /Kapak Contası, Contalar, Vana Çıkışı, Gres Yağı,	0.5
03092		150 6"	Diyafram ve Vidalar	0.5
03093		200 8"		1.0
03090AL		80 3"		0.5
03091AL	BW-WET	100 4"	Clack Seal, Washers, Valve Port, Grease and Screws /Уплотнение седла, шайбы, порт клапана,	0.5
03092AL		150 6"	смазка и винты /Kapak Contası, Contalar, Vana Çıkışı, Gres Yağı ve Vidalar	0.5
03093AL		200 8"		1.0
33024		100 4"	Clack Seal, Cover Gasket/Уплотнение седла, прокладка крышки/Kapak Contası, Elle Müdahale Kapak Contaları	0.2
33025		100 4"		0.2
33035	LW	150 6"	Clack Seal, Cover Gasket/Уплотнение седла, прокладка крышки/Kapak Contası, Elle Müdahale Kapak Contaları	0.3
33037		150 6"		0.5
33046		200 8"	Clack Seal, Cover Gasket/Уплотнение седла, прокладка крышки/Kapak Contası, Elle Müdahale Kapak Contaları	0.4
33050		200 8"		0.5

Spare Kits for other Alarm Valves available on request/Комплекты запасных частей для других узлов управления доступны под заказ/
Diğer Alarm Vanaları için Yedek Takımlar talep halinde mevcuttur

General Purpose Valves

Ⓜ Запорная арматура общего назначения

Ⓜ Genel Amaçlı Vanalar

Shut Off Valves

Отсечные клапаны
Kesme Vanaları



P. 4.002

Check Valves

Обратные клапаны
Çek Vanalar



P. 4.027

Hydrants

Гидранты
Hidrantlar



P. 4.036

Test Equipment

Оборудование для проведения испытаний
Test Ekipmanları



P. 4.043

Strainers

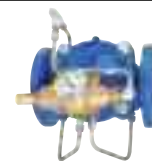
Фильтры
Pislik Tutucular



P. 4.049

Pressure Relief Valves

Предохранительные клапаны
Basınç Rahatlatma Vanaları



P. 4.054

Pressure Reducing Valves

Редукционные клапаны
Basınç Düşürücü Vanalar



P. 4.057

Other Pump Equipment

Другое насосное оборудование
Diğer Pompa Ekipmanları



P. 4.062

Shut Off Valves

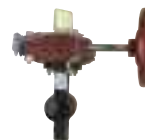
R Отсечные клапаны

T Kesme Vanaları

Butterfly Valves Model JPL

Затворы, модель JPL

Kelebek Vanalar, Model JPL



P. 4.004

Butterfly Valves Model JPL APSAD

Затворы, модель JPL APSAD

Kelebek Vanalar, Model JPL APSAD



P. 4.005

Butterfly Valves Model JMA

Затворы, модель JMA

Kelebek Vanalar, Model JMA



P. 4.006

Butterfly Valves Model JMH

Затворы, модель JMH

Kelebek Vanalar, Model JMH



P. 4.007

Butterfly Valves Model JMH APSAD

Затворы, модель JPH APSAD

Kelebek Vanalar, Model JPL APSAD



P. 4.008

Hydraulic/Pneumatic Actuator Electric Operated Assemblies Model JPL & JMA

Затворы с гидравлическим и пневматическим приводом, модель JPL и JMA

Elektrikli hidrolik/pnömatik tahrikli tertibatlar, model JPL & JMA



P. 4.009

Electric Actuator Assemblies Model JPL & JMA

Затворы с электрическим приводом, модель JPL и JMA

Elektrik tahrikli tertibatlar,model JPL & JMA



P. 4.011

Gate Valves Non Rising Stem Model 05-47 PN10/16 & PN25

Задвижки с невыдвижным штоком, модель 05-47 PN10/16 и PN25

Kesme vanaları, sabit milli (NRS), model 05-47 PN10/16 & PN25



P. 4.012

Gate Valves Non Rising Stem Model 05-57 PN16

Задвижки с невыдвижным штоком, модель 05-57 PN16

Kesme vanaları, sabit milli (NRS), model 05-57 PN16



P. 4.014

Gate Valves Non Rising Stem Model R55

Задвижки с невыдвижным штоком, модель R55

Kesme vanaları, sabit milli (NRS), model R55



P. 4.015

Gate Valves Outside Screw & Yoke Model 18

Задвижки с выдвигающим штоком, модель 18

Kesme vanaları, yükselen milli (OS & Y), model 18



P. 4.016

Shut Off Valves

R Запорные клапаны

T Kesme Vanaları

Gate Valves, Outside Screw & Yoke, Model TMRX

Задвижки с выдвижным штоком, модель TMRX
Kesme vanaları, yükselen milli (OS & Y), model TMRX



P. 4.017

Gate Valves, Outside Screw & Yoke, Model TMRT

Задвижки с выдвижным штоком, модель TMRT
Kesme vanaları, yükselen milli (OS & Y), model TMRT



P. 4.018

Gate Valves, Outside Screw & Yoke, Model TMRG

Задвижки с выдвижным штоком, модель TMRG
Kesme vanaları, yükselen milli (OS & Y), model TMRG



P. 4.019

Gate Valves, Non Rising Stem, Model TMPX

Задвижки с невыдвижным штоком, модель TMPX
Kesme vanaları, sabit milli (NRS), model TMPX



P. 4.020

Indicator Post Adjustable, Model TMUP

Регулируемая индикаторная колонка, модель TMUP
Post İndikatör Vanası (Ayarlanabilir), Model TMUPs



P. 4.021

Indicator Post Wall Type, Model TMWP

Индикаторная колонка настенного типа, модель TMWP
Ayarlanabilir Post İndikatörü [Duvar], Model TMWP



P. 4.022

Road Box Adjustable Model 4908

Регулируемый дорожный кожух, модель 4908
Ayarlanabilir Rogar Kapağı, Model 4908



P. 4.023

Ball Valve Model 1610

Шаровой клапан, модель 1610
Küresel vana, model 1610



P. 4.024

Ball Valve Stainless Steel Model 601

Шаровой клапан из нержавеющей стали, модель 601
Küresel vana paslanmaz çelik, model 601



P. 4.025

Angle Valve Model 126S

Угловой клапан, модель 126S
Köşe vanası, model 126S



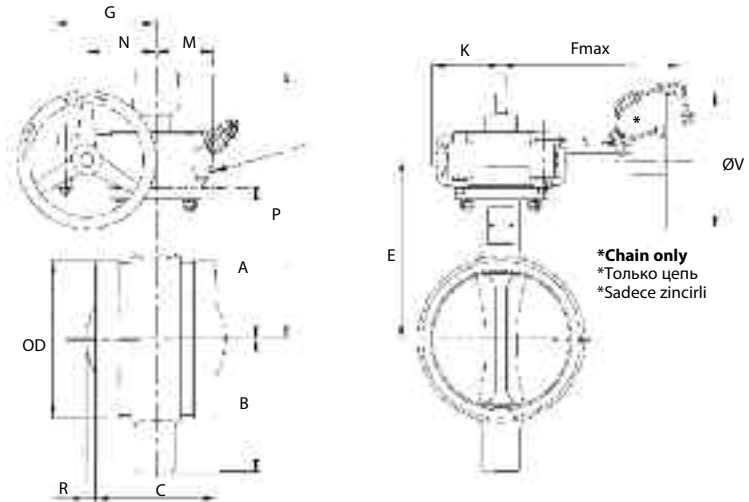
P. 4.026

Shut Off Valves, Butterfly Valves

- R** Запорные клапаны, затворы
- T** Kapaма vanaları, Kelebek vanaları



MODEL JPL

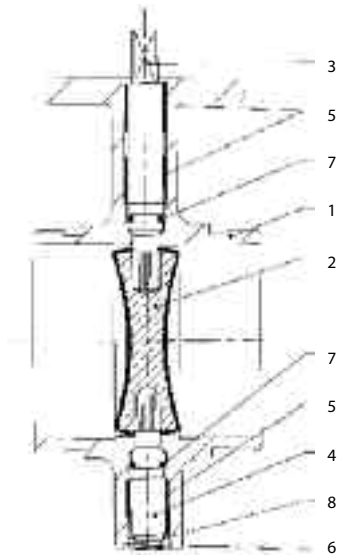


*Chain only
*Только цепь
*Sadece zincirli

Model JPL • Grooved Ends/C грувлочным соединением/Yivli Uçlar

Art. Nr. with Switch с выключателем anahtarlı	Art. Nr. without Switch без выключателя anahtarsız	DN	O.D. mm	A mm	B mm	C mm	E mm	F mm	G mm	K mm	M mm	N mm	P mm	ØV mm	kg	CE	VDS	IPC8	FM	UL	PAVUS	T/S/U	BM OXF	WRC	
39109SC060	39109S060	50	2"	60.3	100	77.5	81	130	208	111	75	60	75	227	150	8.4	✓	✓	✓	✓	✓	✓	✓	✓	✓
39109SC073	39109S073	65	2.1/2"	73.0	105	82	97	135	208	111	75	60	75	232	150	9.5	✓	✓	✓	✓	✓	✓	✓	✓	✓
39109SC076	39109S076	65	2.1/2"	76.1	105	82	97	135	208	111	75	60	75	232	150	9.5	✓	✓	✓	✓	✓	✓	✓	✓	✓
39109SC089	39109S089	80	3"	88.9	112	90	97	142	208	111	75	60	75	232	150	9.9	✓	✓	✓	✓	✓	✓	✓	✓	✓
39109SC114	39109S114	100	4"	114.3	135	107	116	165	208	111	75	60	75	239	150	11.6	✓	✓	✓	✓	✓	✓	✓	✓	✓
39109SC139	39109S139	125	5"	139.7	147	121	148	177	208	111	75	60	75	262	150	14.8	✓	✓	✓	✓	✓	✓	✓	✓	✓
39109SC141	39109S141	125	5"	141.3	147	121	148	177	208	111	75	60	75	262	150	14.8	✓	✓	✓	✓	✓	✓	✓	✓	✓
39109SC165	39109S165	150	6"	165.1	180	150	148	210	215	111	75	60	75	274	225	18.2	✓	✓	✓	✓	✓	✓	✓	✓	✓
39109SC168	39109S168	150	6"	168.3	180	150	148	210	215	111	75	60	75	274	225	18.2	✓	✓	✓	✓	✓	✓	✓	✓	✓
39109SC219	39109S219	200	8"	219.1	204	172	133	234	215	111	75	60	75	274	225	20.5	✓	✓	✓	✓	✓	✓	✓	✓	✓
39109SC273	39109S273	250	10"	273.0	250	233	159	301	276	179	138	104	132	307	300	46.3	✓	✓	✓	✓	✓	✓	✓	✓	✓
39109SC324	39109S324	300	12"	323.9	275	258	165	326	276	179	138	104	132	307	300	55.0	✓	✓	✓	✓	✓	✓	✓	✓	✓

Max. 12.1 Bar [175 Psi]



Parts List/Список деталей/Parça Listesi

Nr.	Description Описание Tanım	Material Материал Malzeme
1	Body/Корпус/Gövde	Ductile Iron/Ковкий чугун/Duktil Demir
2	Disc/Диск/Disk	Ductile Iron/EPDM/Ковкий чугун/Этилен-пропилен-диен-каучук/Duktil Demir/EPDM
3	Control Shaft/Вал управления/Kontrol Şaftı	Stainless Steel/Нержавеющая сталь/Paslanmaz Çelik
4	Spindle/Шпindel/Mil	Stainless Steel/Нержавеющая сталь/Paslanmaz Çelik
5	Bushing/Втулка/Kovan	PTFE bronze sintered on steel/Спекание бронзы со сталью с тефлоновым покрытием/Çelik üzerine PTFE bronz kaplama
6	Retainer plug/Упорная заглушка/Emniyet tapası	Plated steel/Плакированная сталь/Kaplamalı çelik
7	O-ring/Уплотнительное кольцо/O Halkası	Nitrile NBR/Нитрил NBR/Nitrit NBR
8	Locking ring/Стопорное кольцо/Kilitleme halkası	Spring steel/Пружинная сталь/Yaylı çelik

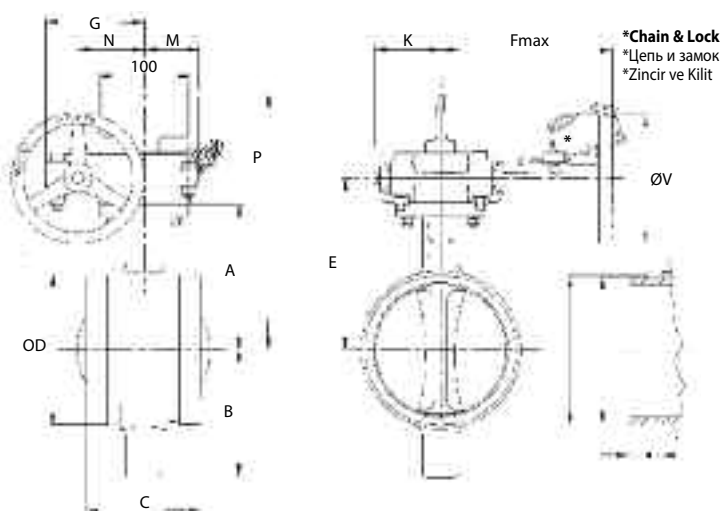
Shut Off Valves, Butterfly Valves

R Запорные клапаны, затворы

T Kesme Vanaları, Kelebek vanaları



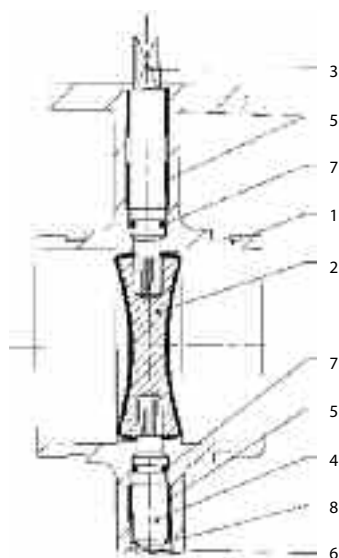
MODEL JPL APSAD



Model JPL APSAD • Grooved Ends/C грувлочным соединением/Yivli bağlantılı

Art. Nr. with Switch с выключателем anahtarlı	DN	O.D. mm	A mm	B mm	C mm	E mm	F mm	G mm	K mm	M mm	N mm	P mm	Ø V mm	kg	APSAD	CE	WRG
39109AC060	50 2"	60.3	100	77.5	81	130	208	111	75	60	75	226	150	8.4	✓	✓	✓
39109AC076	65 2.1/2"	76.1	105	82	97	135	208	111	75	60	75	231	150	9.5	✓	✓	✓
39109AC089	80 3"	88.9	112	90	97	142	208	111	75	60	75	238	150	9.9	✓	✓	✓
39109AC114	100 4"	114.3	135	107	116	165	208	111	75	60	75	261	150	11.6	✓	✓	✓
39109AC139	125 5"	139.7	147	121	148	177	208	111	75	60	75	273	150	14.8	✓	✓	✓
39109AC168	150 6"	168.3	180	150	148	210	215	111	75	60	75	306	225	18.2	✓	✓	✓
39109AC219	200 8"	219.1	204	172	133	234	215	111	75	60	75	330	225	20.5	✓	✓	✓
39109AC273	250 10"	273.0	250	233	159	301	276	179	138	104	132	417	300	46.3	✓	✓	✓
39109AC324	300 12"	323.9	275	258	165	326	276	179	138	104	132	442	300	55.0	✓	✓	✓

Max. 12.1 Bar [175 Psi]



Parts List/Список деталей/Parça Listesi

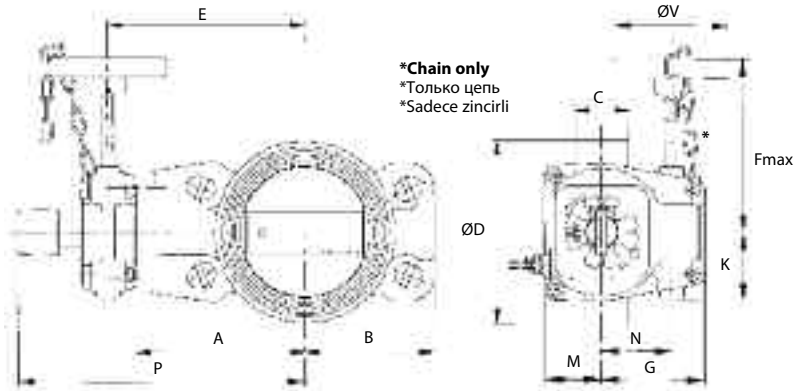
Nr.	Description Описание Tanım	Material Материал Malzeme
1	Body/Корпус/Gövde	Ductile Iron/Ковкий чугун/Duktül Demir
2	Disc/Диск/Disk	Ductile Iron/EPDM/Ковкий чугун/Этилен-пропилен-диен-каучук/Duktül Demir/EPDM
3	Control Shaft/Вал управления/Kontrol şaftı	Stainless Steel/Нержавеющая сталь/Paslanmaz Çelik
4	Spindle/Шпindelъ/Mil	Stainless Steel/Нержавеющая сталь/Paslanmaz Çelik
5	Bushing/Втулка/Kovan	PTFE bronze sintered on steel/Тефлон, спекание бронзы со сталью/ Çelik üzerine PTFE bronz kaplama
6	Retainer plug/Упорная заглушка/Emniyet tapası	Plated steel/Плакированная сталь/Kaplamalı çelik
7	O-ring/Уплотнительное кольцо/O Halkası	Nitrile NBR/Нитрил/Nitrid NBR
8	Locking ring/Стопорное кольцо/Kilitleme halkası	Spring steel/Пружинная сталь/Yaylı çelik

Shut Off Valves, Butterfly Valves

- R** Запорные клапаны, затворы
- T** Kesme vanaları, Kelebek vanaları



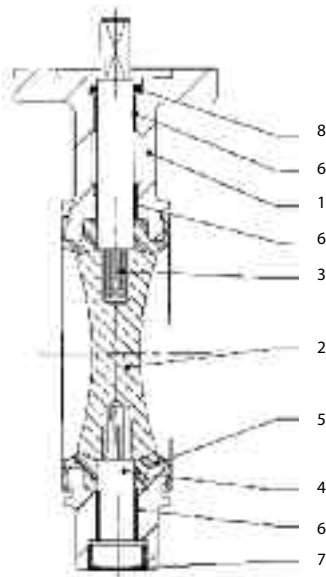
MODEL JMA



Model JMA • Semi-Lug ANSI/PN10/PN16/Межфланцевая установка ANSI/PN10/PN16

Art. Nr. with Switch с выключателем anahtarlı	Art. Nr. without Switch без выключателя anahtarsız	DN	A	B	C	ØD	E	F	G	K	M	N	P	ØV	CE	VDS	LPCB	FM	UL	WVPO	T/S/U	DN/ONF	
Kg	Kg	mm	mm	mm	mm	mm	mm	mm	mm	mm	mm	mm	mm	mm									
81219SC50	81219S50	50	110	74	43	94	140	208	111	75	60	75	237	150	✓	✓	✓	✓	✓	✓	✓	✓	✓
81219SC65	81219S65	65	118	81	46	107	148	208	111	75	60	75	245	150	✓	✓	✓	✓	✓	✓	✓	✓	✓
81219SC80	81219S80	80	125	93	46	126	155	208	111	75	60	75	252	150	✓	✓	✓	✓	✓	✓	✓	✓	✓
81219SC100	81219S100	100	140	107	52	150	170	208	111	75	60	75	267	150	✓	✓	✓	✓	✓	✓	✓	✓	✓
81219SC125	81219S125	125	160	122	56	179	190	208	111	75	60	75	287	150	✓	✓	✓	✓	✓	✓	✓	✓	✓
81219SC150	81219S150	150	175	135	56	204	205	215	111	75	60	75	303	225	✓	✓	✓	✓	✓	✓	✓	✓	✓
81219SC200	81219S200	200	206	170	60	259	236	215	111	75	60	75	333	225	✓	✓	✓	✓	✓	✓	✓	✓	✓
81119SC250	81119S250	250	247	200	68	313	298	276	179	138	104	132	376	300	✓	✓	✓	✓	✓	✓	✓	✓	✓
81119SC300	81119S300	300	277	233	78	369	328	276	179	138	104	132	406	300	✓	✓	✓	✓	✓	✓	✓	✓	✓

Max. 12.1 Bar [175 Psi]



Parts List/Список деталей/Parça Listesi

Nr.	Description Описание Tanım	Material Материал Malzeme
1	Body (wafer)/Корпус (межфланцевый)/Gövde (wafer tip)	Ductile Iron/Ковкий чугун/Duktil Demir
2	Disc/Диск/Disk	Ductile Iron/Ковкий чугун/Duktil Demir
	Control Shaft/Вал управления/Kontrol shaftı	Stainless Steel/Нержавеющая сталь/Paslanmaz Çelik
3	Spindle/Шпindel/Mil	Stainless Steel/Нержавеющая сталь/Paslanmaz Çelik
4	Seat/Седло/Yuva	EPDM/Этилен-пропилен-диен-каучук/EPDM
5	Bearings/Подшипники/Yataklar	PTFE on Steel/Сталь с тефлоновым покрытием/Çelik üstünde PTFE
6	Protection plug/Защитная заглушка/Koruma tapası	Polyethylene/Полиэтилен/Polietilen
7	Chevron Seal/Шевронное уплотнение/Chevron dolgusu	Nitrile/Нитрил/Nitril
8	ID Plate/Идентификационная пластина/ID Plakası	Stainless Steel/Нержавеющая сталь/Paslanmaz Çelik

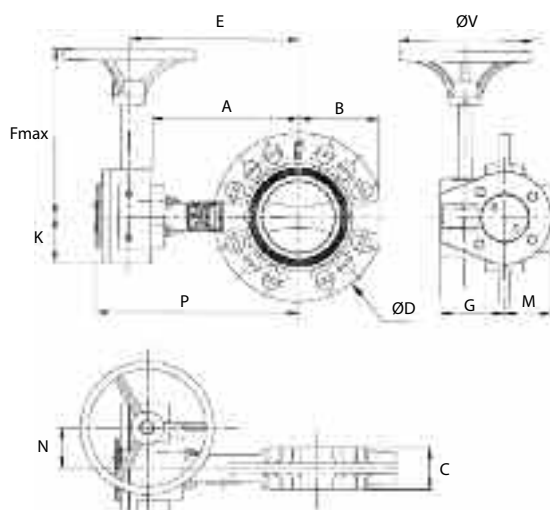
Shut Off Valves, Butterfly Valves

R Запорные клапаны, затворы

T Vannes d'Arrêt, Vannes Disk

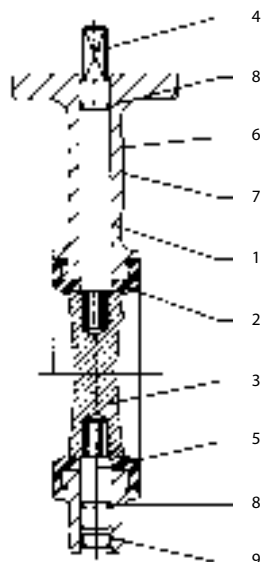


MODEL JMH



Model JMH • Mono Flange/Монофланец/Mono Flanş • ANSI/PN10/PN16

Art. Nr. with Switch с выключателем anahtarlı	Art. Nr. without Switch без выключателя anahtarsız	DN	PN [Bar]	A mm	B mm	C mm	Ø D mm	E mm	F mm	G mm	K mm	M mm	N mm	P mm	Ø V mm	o Kg	CE	WRC	BM OIK	
38409MS50	3840950	50	2"	16	152	76	43	156	182	208	111	75	60	75	240	150	10.4	✓	✓	✓
38409MS65	3840965	65	2.1/2"	16	159	84	46	176	189	208	111	75	60	75	247	150	11	✓	✓	✓
38409MS80	3840980	80	3"	16	166	90	46	191	196	208	111	75	60	75	254	150	11.3	✓	✓	✓
38409MS100	38409100	100	4"	16	182	109	52	223	212	208	111	75	60	75	270	150	14	✓	✓	✓
38409MS125	38409125	125	5"	16	193	120	56	256	223	208	111	75	60	75	281	150	17	✓	✓	✓
38409MS150	38409150	150	6"	16	217	145	56	290	247	215	111	75	60	75	305	225	21	✓	✓	✓
38409MS200	38409200	200	8"	16	242	170	60	346	272	215	111	75	60	75	330	225	24	✓	✓	✓
38109MS250	38107250	250	10"	10	280	203	68	412	331	276	179	138	104	132	409	300	51	✓	✓	✓
38109MS300	38107300	300	12"	10	310	233	78	472	361	276	179	138	104	132	439	300	59	✓	✓	✓



Parts List/Список деталей/Parça Listesi

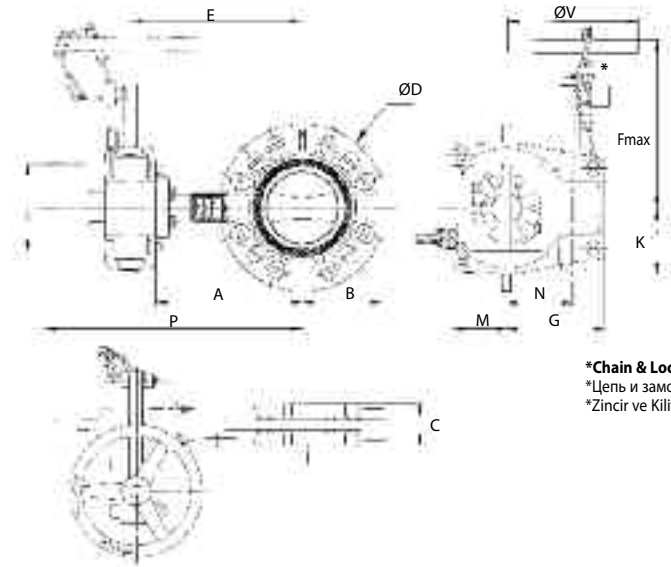
Nr.	Description Описание Tanım	Material Материал Malzeme
1	Body/Корпус/Gövde	Cast Iron/Литейный чугун/Dökme Demir
2	Seat/Седло/Yuva	EPDM/Этилен-пропилен-диен-каучук/EPDM
3	Disc/Диск/Disk	Ductile Iron/Ковкий чугун/Duktil Demir
	Control Shaft/Вал управления/Kontrol shaftı	Stainless Steel/Нержавеющая сталь/Paslanmaz Çelik
4	Spindle/Шпindelъ/Mil	Stainless Steel/Нержавеющая сталь/APaslanmaz Çelik
5	ID Plate/Идентификационная пластина/ID Plakası	Aluminium/Алюминий/Aluminyum
6	Rivet/Заклепка/Perçin	Nickel Steel/Никелированная сталь/Nikel Çelik
7	O-Ring/Плотнительное кольцо/O Halkası	EPDM/Этилен-пропилен-диен-каучук/EPDM
8	Protection Plug/Защитная заглушка/Emniyet tapası	Polyethylene/Полиэтилен/Poliyeten

Shut Off Valves, Butterfly Valves

- R** Запорные клапаны, затворы
- T** Kesme Vanaları, Kelebek vanaları



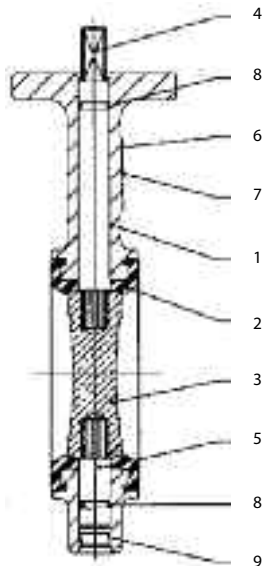
MODEL JMh APSAD



*Chain & Lock
*Цепь и замок
*Zincir ve Kilit

Model JMh APSAD • Mono Flange/Монофланец/Mono Flanş ANSI/PN10/PN16

Art. Nr. with Switch с выключателем anahtarlı	Art. Nr. without Switch без выключателя anahtarsız	DN	PN [Bar]	A mm	B mm	C mm	ØD mm	E mm	F mm	G mm	K mm	M mm	N mm	P mm	ØV mm	Kg	APSAD	CE	
38409AC50	38409A50	50	2"	16	152	76	43	156	182	208	111	75	60	75	278	150	10.4	✓	✓
38409AC65	38409A65	65	2.1/2"	16	159	84	46	176	189	208	111	75	60	75	285	150	11	✓	✓
38409AC80	38409A80	80	3"	16	166	90	46	191	196	208	111	75	60	75	292	150	11.3	✓	✓
38409AC100	38409A100	100	4"	16	182	109	52	223	212	208	111	75	60	75	308	150	14	✓	✓
38409AC125	38409A125	125	5"	16	193	120	56	256	223	208	111	75	60	75	319	150	17	✓	✓
38409AC150	38409A150	150	6"	16	217	145	56	290	247	215	111	75	60	75	343	225	21	✓	✓
38409AC200	38409A200	200	8"	16	242	170	60	346	272	215	111	75	60	75	368	225	24	✓	✓
38109AC250	38109A250	250	10"	10	280	203	68	412	331	276	179	138	104	132	447	300	51	✓	✓
38109AC300	38109A300	300	12"	10	310	233	78	472	361	276	179	138	104	132	477	300	59	✓	✓



Parts List/Список деталей/Parça Listesi

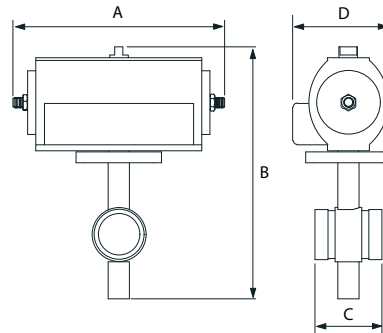
Nr.	Description Описание Tanım	Material Материал Malzeme
1	Body /Корпус/Gövde	Cast Iron /Литейный чугун/Dökme Demir
2	Seat /Седло/Yuva	EPDM /Этилен-пропилен-диен-каучук/EPDM
3	Disc /Диск/Disk	Ductile Iron /Ковкий чугун/Duktil Demir
	Control Shaft /Вал управления/Kontrol shaftı	Stainless Steel /Нержавеющая сталь/Paslanmaz Çelik
4	Spindle /Шпindel/Mil	Stainless Steel /Нержавеющая сталь/Paslanmaz Çelik
5	ID Plate /Идентификационная пластина/ID Plakası	Aluminium /Алюминий/Aluminyum
6	Rivet /Заклепка/Perçin	Nickel Steel /Никелированная сталь/Nikel Çelik
7	O-Ring /Уплотнительное кольцо/O Halkası	EPDM /Этилен-пропилен-диен-каучук/EPDM
8	Protection Plug /Защитная заглушка/Koruma Tapası	Polyethylene /Полиэтилен/Polietilen

Shut Off Valves, Hydraulic/Pneumatic Actuator Electric Operated Assemblies

- R** Отсечные клапаны, узлы с гидравлическим/пневматическим исполнительным механизмом с электрическим приводом
- T** Kapama Vanaları, Hidrolik/Pnömatik Tahrikli Tertibatlar

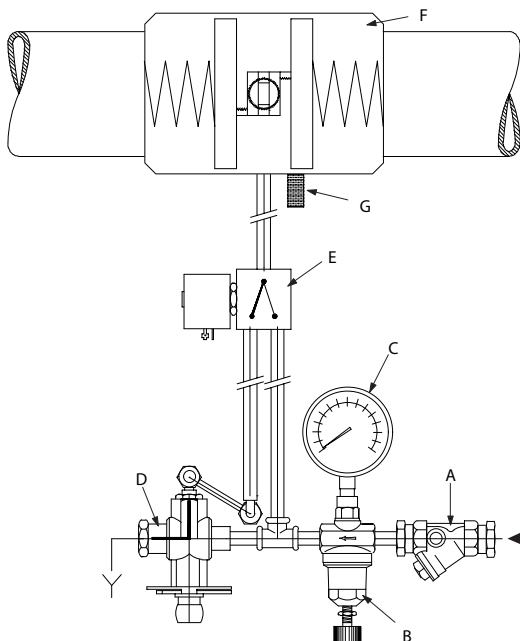


MODEL JPL



Model JPL • Grooved Ends/C грувлочным соединением/Yivli bağlantılı												
Art. Nr.	Spring to close Пружина для закрытия Карата уау	Kg	Art. Nr.	Spring to open Пружина для открытия Ақта уау	Kg	DN	A mm	B mm	C mm	D mm	CE	
PL600S0084	7.6		PL600S0125	9		50	2"	162	287	81	90	✓
PL760S0084	8.75		PL760S0125	12.7		65 [76.1mm]	2.1/2"	162	296	97	90	✓
PL890S0124	10.5		PL890S0205	13.12		80	3"	194	321	97	90	✓
PL100S0204	16.1		PL100S0355	20		100	4"	218	383	116	100	✓
PL125S0354	23.2		PL125S0355	23.2		125	5"	266	435	148	100	✓
PL150S0354	35.7		PL150S0355	35.7		150 [168.3mm]	6"	312	538	148	100	✓
PL200S0704	50.3		PL200S0705	50.3		200	8"	361	626	133	100	✓
PL250S1004	78.2		PL250S1005	65.3		250	10"	390	783	159	132	✓
PL300S1504	86.9		PL300S1505	86.9		300	12"	390	833	165	132	✓

Max. line pressure 12.1 Bar [175 Psi], actuator pressure 5 - 10 Bar [73 - 140 Psi]
 Макс. давление линии 12,1 бара [175 фунтов на кв. дюйм], давление исполнительного механизма 5 - 10 бар [73 - 140 фунтов на кв. дюйм]
 Azami basınç 12.1 bar (175 psi), çalıştırma basıncı 5-120 bar [73-140 psi]



Parts List / Список деталей / Parça Listesi	
Nr.	Description Описание Tanım
A	Strainer/Фильтр-отстойник/Pislik Tutucusu (Süzgeç)
B	Pressure Reducing valve/Редукционный клапан/Basınç Düşürücü Vana
C	Pressure Gauge/Манометр/Basınç ölçeri
D	Ball valve 3-Way/Шаровой клапан 3-ходовой/Küresel Vana, 3 Yollu
E	Solenoid valve 24 VDC 3/2 Way, 10 Watt/Электромагнитный клапан 24 В пост. тока, ход 3/2, 10 ватт/Solenoid vana 24 VDC 3/2 Yollu, 10 Watt
F	Actuator/Пусковое устройство/Aktivatör
G	Air filter/Воздушный фильтр/Hava filtresi

***Actuator spring to closed: Valve normally close - Solenoid energize to open**

*Пружина исполнительного механизма для закрытия Нормально закрытый клапан - Включение электромагнитного клапана для открытия

*Aktivatör Çalıştırıcı yay kapatır: Vana genelde kapalıdır - Solenoid vana açar

****Actuator spring to open: Valve normally open - Solenoid energize to close**

**Пружина исполнительного механизма для открытия: Нормально открытый клапан - Включение электромагнитного клапана для закрытия

**Aktivatör yay açar: Vana genelde açıktır - Solenoid vana kapatır

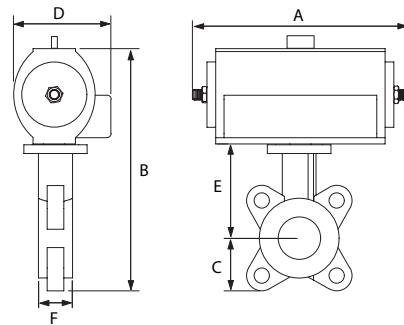
Inlet 1/4" NPT/
Ввод 1/4 дюйма NPT/
Giriş 1/4" NPT

Shut Off Valves, Hydraulic/Pneumatic Actuator Electric Operated Assemblies

- R** Отсечные клапаны, узлы с гидравлическим/ пневматическим исполнительным механизмом с электрическим приводом
- T** Kapama Vanaları, Hidrolik/Pnömatik Tahrirli Tertibatlar



MODEL JMA



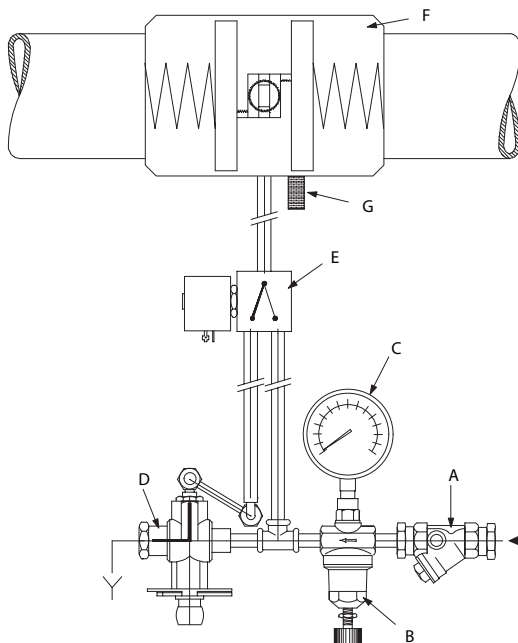
Model JMA • Between Flanges ANSI/PN10/PN16/Между фланцами ANSI/PN10/PN16/Flanş Arası ANSI/PN10/PN16

Art. Nr.	Spring to close Пружина для закрытия Картама уауи	Art. Nr.	Spring to open Пружина для открытия Аста уауи	DN	A mm	B mm	C mm	D mm	E mm	F mm	☺
MC600S0084	9.2	MC600S0125	10.6	50 2"	162	293	74	90	110	43	✓
MC760S0084	9.7	MC760S0125	11.1	65 2.1/2"	162	308	81	90	118	46	✓
MC890S0124	11.8	MC890S0205	14.4	80 3"	194	337	93	90	125	46	✓
MC100S0204	17.9	MC100S0355	22.2	100 4"	218	388	107	100	140	52	✓
MC125S0354	23.9	MC125S0355	23.9	125 5"	266	449	122	100	160	56	✓
MC150S0354	26.7	MC150S0355	26.7	150 6"	312	518	135	100	175	56	✓
MC200S0704	42.0	MC200S0705	42.0	200 8"	361	626	170	100	206	60	✓
MC250S1004	62.7	MC250S1005	70.7	250 10"	390	747	200	132	247	68	✓
MC300S1504	82.9	MC300S1505	82.9	300 12"	390	810	233	132	277	78	✓

Max. line pressure 12.1 Bar [175 Psi], actuator pressure 5 - 10 Bar [73 - 140 Psi]

Макс. давление линии 12,1 бара [175 фунтов на кв. дюйм], давление исполнительного механизма 5 - 10 бар [73 - 140 фунтов на кв. дюйм]

Azami basınç 12.1 bar (175 psi), aktivatör basıncı 5-120 bar [73-140 psi]



Parts List / Список деталей / Parça Listesi

Nr.	Description Описание Tanım
A	Strainer/Фильтр/Pislik Tutucusu (Süzgeç)
B	Pressure Reducing valve/Редукционный клапан/Basınç Düşürücü Vana
C	Pressure Gauge/Манометр/Basınç ölçeri
D	Ball valve 3-Way/Шаровой клапан 3-ходовой/Küresel Vana, 3 Yollu
E	Solenoid valve 24 VDC 3/2 Way, 10 Watt/Электромагнитный клапан 24 В пост. тока, ход 3/2, 10 ватт/Solenoid vana 24 VDC 3/2 Yollu, 10 Watt
F	Actuator/Исполнительный механизм/Aktivatör
G	Air filter/Воздушный фильтр/Hava filtresi

*Actuator spring to closed: Valve normally close - Solenoid energize to open

*Пружина исполнительного механизма для закрытия Нормально закрытый клапан - Включение электромагнитного клапана для открытия

*Aktivatör Çalıştırıcı yay kapatır: Vana genelde kapalıdır - Solenoid vana açar

**Actuator spring to open: Valve normally open - Solenoid energize to close

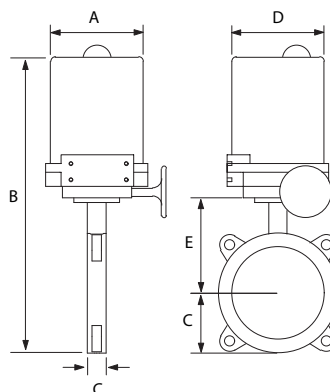
**Пружина исполнительного механизма для открытия: Нормально открытый клапан - Включение электромагнитного клапана для закрытия

**Aktivatör yay açar: Vana genelde açıktır - Solenoid vana kapatır

Inlet 1/4" NPT/
Ввод 1/4 дюйма NPT/
Giriş 1/4" NPT

Shut Off Valves, Electric Actuator Assemblies

- R** Запорные клапаны, узлы с электрическим исполнительным механизмом
- T** Kesme Vanaları, Elektrikli Aktivasyon Tertibatları



Model JMA • Between Flanges/Между фланцами /Flanş Arası ANSI/PN10/PN16 • 230 VAC/50 Hz/24 VDC													
Art. Nr. 230 VAC/50 Hz	⊘ Kg	Art. Nr. 24 VDC	⊘ Kg	DN	Actuator Пусковое устройство Aktivator	A mm	B mm	C mm	D mm	E mm	F mm	⊕	
MC600E0550	8.9	MC600E0560	10.7	50 2"	EL55	150	433	43	150	110	81	✓	
MC760E0550	9.4	MC760E0560	11.4	65 2.1/2"	EL55	150	442	46	150	118	97	✓	
MC890E0550	10.1	MC890E0560	12.0	80 3"	EL55	150	457	46	150	125	97	✓	
MC100E0550	12.1	MC100E0560	14.5	100 4"	EL55	150	497	52	150	140	116	✓	
MC125E1000	20.0	MC125E1010	22.0	125 5"	EL100	240	558	56	240	160	148	✓	
MC150E1500	22.5	MC150E1510	24.5	150 6"	EL150	240	620	56	240	175	148	✓	
MC200E3500	32.1	MC200E3510	35.1	200 8"	EL350	280	691	60	280	206	133	✓	
MC250E5000	49.1	MC250E5010	52.1	250 10"	EL500	320	803	68	320	247	159	✓	
MC300E8000	57.2	MC300E8010	61.2	300 12"	EL800	320	853	78	320	277	165	✓	

Max. line pressure 12.1 Bar [175 Psi]/Макс. давление линии 12,1 бар [175 фунтов на кв. дюйм]/Maks. hat basıncı 12.1 Bar [175 Psi]

Model JPL • Grooved Ends/C гравированным соединением/Yıvıli bağlantılı • 230 VAC/50 Hz/24 VDC											
Art. Nr. 230 VAC/50 Hz	Art. Nr. 24 VDC	DN	Actuator Пусковое устройство Aktivator	A mm	B mm	C mm	D mm	⊘ Kg	⊕		
PL600E0550	PL600E0560	50 2"	EL55	150	433	81	150	7.4	✓		
PL760E0550	PL760E0560	65 [76.1mm] 2.1/2"	EL55	150	442	97	150	8.5	✓		
PL890E0550	PL890E0560	80 3"	EL55	150	457	97	150	8.9	✓		
PL100E0550	PL100E0560	100 4"	EL55	150	497	116	150	10.8	✓		
PL125E1000	PL125E1010	125 5"	EL100	240	558	148	240	19	✓		
PL150E1500	PL150E1510	150 [168.3mm] 6"	EL150	240	620	148	240	22.6	✓		
PL200E3500	PL200E3510	200 8"	EL350	280	691	133	280	30.6	✓		
PL250E5000	PL250E5010	250 10"	EL500	320	803	159	320	52.4	✓		
PL300E8000	PL300E8010	300 12"	EL800	320	853	165	320	61.2	✓		

Max. line pressure 12.1 Bar [175 Psi]/Макс. давление линии 12,1 бар [175 фунтов на кв. дюйм]/Maks. hat basıncı 12.1 Bar [175 Psi]

Electric Actuator/Электрический исполнительный механизм/Aktivator Electrique											
Performance Эффективность Performans	Torque [Nm] Couple Break Нарушение Aralığı		Speed [sec.] 50 Hz Скорости/ Hız	Current [A]/ Ток/Akım			Power [W] Мощность/Güç			⊘ Kg	Duty Rating % Номинальная пропускная способность/ Servis Hizmet
	Run Работа Devir	230 VAC		110 VAC	24 VAC	110 VAC	230 VAC	24 VAC			
EL55	55	20	6	0.6	1.1	5	100	72	45	6	30
EL100	100	35	7	1.7	2.9	8	225	200	118	11	30
EL150	150	53	9	1.7	2.9	8	225	200	118	11	30
EL200	200	70	13	1.7	2.9	8	225	200	118	16.5	30
EL350	350	123	23	1.7	2.9	8	225	200	118	17	30
EL500	500	175	25.5	1.7	2.9	8	225	200	118	25.5	30
EL800	800	280	25.5	2.3	4.5	-	315	305	-	26	30

IP Rating /Класс защиты IP / IP Derecesi

Material/Материал/Malzeme	
Housing/Корпус/Mahtaza	Aluminium alloy/Алюминиевый сплав/Aluminium alaşımı
Cover/Крышка/Kapak	Steel/Сталь/Çelik
Drivesleeve/Ведущая муфта/Tahrik Kovani	Bronze [Cast Iron]/Бронза [Литейный чугун]/Bronz [Dökme Demir]
Fastenings/Крепежные детали/Bağlaçlar	Stainless steel/Нержавеющая сталь/Paslanmaz Çelik

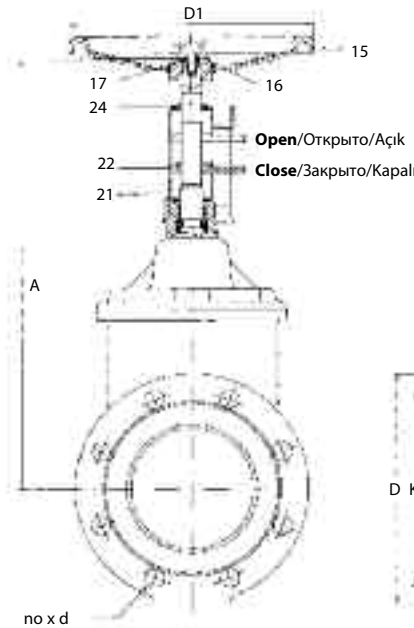
Shut Off Valves, Gate Valves, Non Rising Stem

R Запорные клапаны, задвижки, невыемной шток

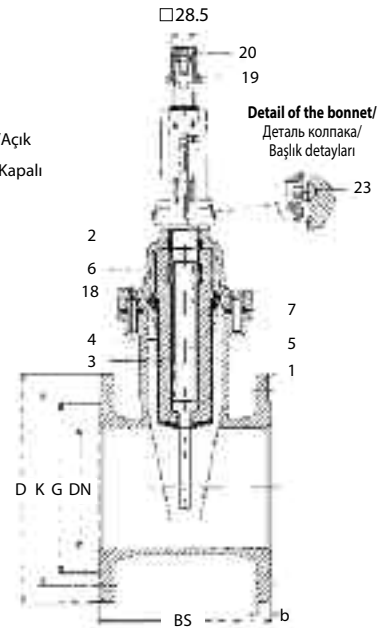
T Kapaма vanaları, kesme vanaları, sabit mil



MODEL 05-47 PN10/16



Open/Открыто/Аçık
Close/Закрyто/Карапı



Detail of the bonnet/
Деталь колпака/
Başlık detayları

Parts List/Список деталей/Parça Listesi

Nr.	Description Описание Tanım	Material Материал Malzeme
1	Body/Корпус/Gövde	GGG-50 Epoxy RAL3000
2	Bonnet/Колпак/Başlık	GGG-50
3	Wedge/Клин/Кама	GGG-50
4	Wedge Coating/Покрyтие клина/Кама kaplaması	NBR
5	Stem/Шток/Mil	X20 Cr13
6	Wedge Lock Nut/Стопорная гайка клина/Кама Kilit Somunu	Copper Alloy/Сплав меди/Bakır Alaşımı
7	Gasket/Прокладка/Conta	NBR
8	Packing/Набивка/Аmbalaj/Circlip/Пружинное кольцо/Circlip	NBR
9	Gland/Сальник/Salmastra kovani	Steel+Nikim/Сталь + Nikim/Çelik + Nikim
10	Fix ring/Фиксирующее кольцо/Sabitleştirme halkası	P. O.M.
11	Fix washer/Фиксирующая шайба/Sabitleştirme rondelası	X12 CrNi 17 7
12	O Ring/Уплотнительное кольцо/O Ring	Bronze Rg 5/Бронза Rg 5/Bronz Rg 5
13	Dust Guard/Защита от пыли/Toz Koruması	NBR
14	Handwheel/Ручной штувал/Kumanda Çarkı	NBR
15	Bolt/Schraube/Cıvata	Steel/Stahl/Çelik
16	Washer/Шайба/Rondela	X5 CrNi 18 10
17	Bolt/Болт/Cıvata	X5 CrNi 18 10
18	Square nut/Квадратная гайка/Kare somun	Steel 8.8/Сталь 8.8/Çelik 8.8
19	Bolt/Болт/Cıvata	GGG-50
20	Indicator/Индикатор/İndikatör	X5 CrNi 18 10
21	Ind. Wedge/Клин индикатора/İnd. Kaması	ALSI 13
22	Set Screw/Установочный винт/Başsız Vida	Copper Alloy/Сплав меди/Bakır Alaşımı
23	Dust Guard/Защита от пыли/Toz Koruması	Stainless Steel/Нержавеющая сталь/Paslanmaz Çelik
24		NBR

Packing detail/
Деталь набивки/
Аmbalaj detayları



Model 05-47 • RF Flanges/Фланцы RF/Flanşlar PN10/PN16 • Non Rising Stem/Невыемной шток/Sabit Mil (NRS)

Art. Nr.	DN	PN	F4/F5	BS mm	D mm	K mm	G mm	b mm	no x d mm	A mm	D1 mm	Q Kg	Turns to open Поворачивается для открытия/ Dönerek açar	U	VDS	PAVUS	WNİPO	T/SU	BM OKF	
054710768	65	2.1/2"	10/16	F5	270	185	145	118	19	4 x 19	361	150	16	13	✓	✓	✓	✓	✓	✓
054710898	80	3"	10/16	F5	280	200	160	132	19	8 x 19	390	175	20	16	✓	✓	✓	✓	✓	✓
054711148	100	4"	10/16	F5	300	220	180	156	19	8 x 19	425	200	25	20	✓	✓	✓	✓	✓	✓
054711688	150	6"	10/16	F5	350	285	240	211	19	8 x 23	530	300	45	30	✓	✓	✓	✓	✓	✓
054712197	200	8"	10	F5	400	340	295	266	20	8 x 23	625	350	70	33	✓	✓	✓	✓	✓	✓
054700608G	50	2"	10/16	F4	150	165	125	99	19	4 x 19	324	125	12	13	✓	✓	✓	✓	✓	✓
054700768G	65	2.1/2"	10/16	F4	170	185	145	118	19	4 x 19	361	150	15	13	✓	✓	✓	✓	✓	✓
054700898G	80	3"	10/16	F4	180	200	160	132	19	8 x 19	390	175	19	16	✓	✓	✓	✓	✓	✓
054701148G	100	4"	10/16	F4	190	220	180	156	19	8 x 19	425	200	23	20	✓	✓	✓	✓	✓	✓
054701398G	125	5"	10/16	F4	200	250	210	184	19	8 x 19	488	250	33	25	✓	✓	✓	✓	✓	✓
054701688G	150	6"	10/16	F4	210	285	240	211	19	8 x 23	530	300	41	30	✓	✓	✓	✓	✓	✓
054702198G	200	8"	16	F4	230	340	295	266	20	12 x 23	625	350	63	33	✓	✓	✓	✓	✓	✓
054702738G	250	10"	16	F4	250	400	355	319	22	12 x 28	730	400	92	45	✓	✓	✓	✓	✓	✓
054703248G	300	12"	16	F4	270	455	410	370	25	12 x 28	805	500	130	50	✓	✓	✓	✓	✓	✓
054702197G	200	8"	10	F4	230	340	295	266	20	8 x 28	625	350	63	33	✓	✓	✓	✓	✓	✓
054702737G	250	10"	10	F4	250	400	350	319	22	12 x 28	730	400	92	45	✓	✓	✓	✓	✓	✓
054703247G	300	12"	10	F4	270	455	400	370	25	12 x 28	805	500	130	50	✓	✓	✓	✓	✓	✓
054703557G	350	14"	6	F4	290	520	460	429	25	16 x 23	750	500	208	50	✓	✓				
054704067G	400	16"	6	F4	310	580	515	482	28	16 x 28	970	630	310	57	✓	✓				

For Supervisory Switch: Order number WS00000011 (model BIGGY 999887 incl. mounting material) separately.
Для контрольного выключателя: Номер позиции WS00000011 (модель BIGGY 999887, включая крепеж) заказывается отдельно.
Supervizörlü Anahtar için: Ayrıca sipariş ediniz - Sipariş numarası WS00000011 (montaj malzemeleri de dahil model BIGGY 999887)

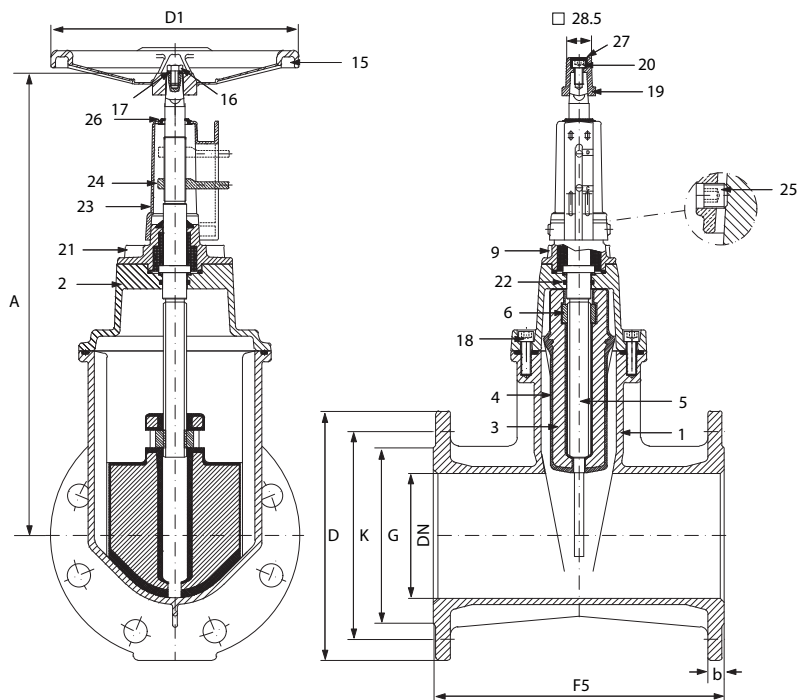
Shut Off Valves, Gate Valves, Non Rising Stem

R Запорные клапаны, задвижки, невыдвижной шток

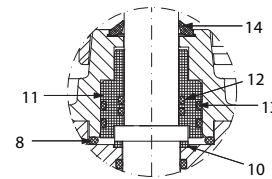
T Kapama vanaları, kesme vanaları, sabit mil



MODEL 05-47 PN25



Parts List/Список деталей/Parça Listesi		
Nr.	Description Описание Tanım	Material Материал Malzeme
1	Body/Корпус/Gövde	GGG-50 Epoxy RAL3000
2	Bonnet/Колпак/Başlık	GGG-50
3	Wedge/Клин/Камa	GGG-50
4	Wedge Coating/Покрытие клина/Камa kaplaması	NBR
5	Stem/Шток/Mil	X20 Cr13
6	Wedge Lock Nut/Стопорная гайка клина/Камa Kilit Somunu	Copper Alloy/Сплав меди/Bakır Alaşımı
7	Gasket/Прокладка/Conta	NBR
8	O-Ring/Уплотнительное кольцо/O-Ring	NBR
9	Upper Bonnet/Верхний колпак/Üst Başlık	GGG-50
10	Washer/Шайба/Rondela	P. O.M.
11	Gland/Сальник/Salmastra	P. O.M.
12	O-Ring/Уплотнительное кольцо/O-Ring	NBR
13	O-Ring/Уплотнительное кольцо/O-Ring	NBR
14	Dust Guard/Защита от пыли/Toz Koruması	NBR
15	Handwheel/Ручной штурвал/Kumanda Çarkı	GGG-50
16	Bolt/Болт/Сıvata	S. Steel 18/8/Нержавеющая сталь 18.8/P. Çelik 18/8
17	Washer/Шайба/Rondela	S. Steel 18/8/Нержавеющая сталь 18.8/P. Çelik 18/8
18	Bolt/Болт/Сıvata	Steel 8/Сталь 8/Çelik 8
19	Square nut/Квадратная гайка/Kare somun	GGG-50
20	Bolt/Болт/Сıvata	S. Steel 18/8/Нержавеющая сталь 18.8/P. Çelik 18/8
21	Bolt Top Bonnet/Болт верхней части колпака/Üst Başlık sıvatası	Steel 8/Сталь 8/Çelik 8
22	O-Ring Bonnet/Уплотнительное кольцо колпака/Başlık O-ringi	NBR
23	Indicator Carcase/Корпус индикатора/Gövde İndikatör	AISI 13
24	Indicator Wedge/Клин индикатора/İndikatör Kaması	Copper Alloy/Сплав меди/Bakır Alaşımı
25	Threaded Stick/Резьбовая шпилька/Dişli Çubuk	CrNi 18 10
26	Ind. cap dustguard/Защита от пыли крышки индикатора/İnd. başlığı toz koruması	NBR
27	Tape Square/Квадратная лента/Kare disk	LUPOLEN



Model 05-47 • RF Flanges/Фланцы RF/Flanşlar • Non Rising Stem/Невыдвижной шток/Sabit Mil (NRS)												
Art. Nr.	DN	F5 mm	D mm	K mm	G mm	b mm	no x d mm	A mm	D1 mm	Turns to open Поворачивается для открытия/ Dönerek açar	CF	VDS
054700609G	50 2"	250	165	125	99	19	4 x 19	347.5	125	12.5	✓	
054700769G	65 2.1/2"	270	185	145	118	19	8 x 19	376.5	150	13	✓	✓
054700899G	80 3"	280	200	160	132	19	8 x 19	420.5	175	16	✓	✓
054701149G	100 4"	300	235	190	156	19	8 x 23	453.5	200	20	✓	✓
054701399G0	125 5"	325	270	220	184	19	8 x 28	568	275	25	✓	✓
54701689G	150 6"	350	300	250	211	20	8 x 28	568	315	30	✓	✓
054702199G	200 8"	400	360	310	274	22	12 x 28	658	375	33	✓	
054702739G	250 10"	450	425	370	330	24.5	12 x 31	752	400	45	✓	
054703249G	300 12"	500	485	430	389	27.5	16 x 31	827.5	500	50		

For Supervisory Switch: Order number WS00000011 (model BIGGY 999887 incl. mounting material) separately.
 Для контрольного выключателя: Номер позиции WS00000011 (модель BIGGY 999887, включая крепеж) заказывается отдельно.
 Süpervizörlü Anahtar için: Ayrıca sipariş ediniz - Sipariş numarası WS00000011 (montaj malzemeleri de dahil model BIGGY 999887)

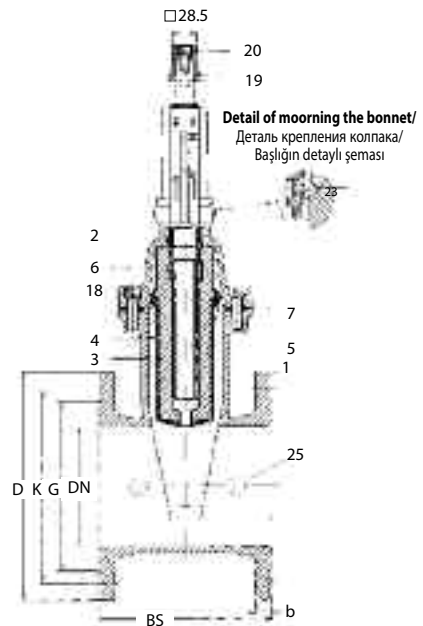
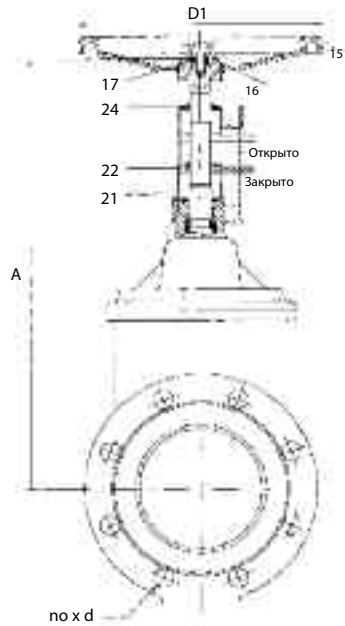
Shut Off Valves, Gate Valves, Non Rising Stem

R Запорные клапаны, задвижки, невыемной шток

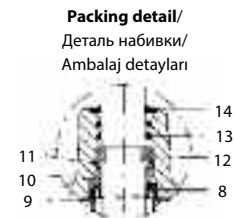
T Kapatma vanaları, kesme vanaları, sabit mil



MODEL 05-57 PN16



Parts List/Список деталей/Parça Listesi		
Nr.	Description Описание Tanım	Material Материал Malzeme
1	Body/Корпус/Gövde	GGG-50
2	Bonnet/Колпак/Başlık	GGG-50
3	Wedge/Клин/Kama	GGG-50
4	Wedge Coating/Покрyтие клина/Kama kaplaması	NBR
5	Stem/Шток/Mil	X20 Cr13
6	Wedge Lock Nut/Стопорная гайка клина/Kama Kilit Somunu	Copper Alloy/Сплав меди/Bakır Alaşımı
7	Gasket/Прокладка/Conta	NBR
8	Packing/Набивка/Ambalaj	NBR
9	Circlip/Пружинное кольцо/Segman	Steel+Nikum/Сталь + Nikim/Çelik + Nikim
10	Gland/Сальник/Salmastra kovani	P.O.M.
11	Fix ring/Фиксирующее кольцо/Sabitleştirme halkası	X12 CrNi 17 7
12	Fix washer/Фиксирующая шайба/Sabitleştirme rondelası	Bronze Rg 5/Бронза Rg 5/Bronz Rg 5
13	O Ring/Уплотнительное кольцо/O-Ring	NBR
14	Dust Guard/Защита от пыли/Toz Koruması	NBR
15	Handwheel/Ручной штурвал/Kumanda Çarkı	Steel/Сталь/Çelik
16	Bolt/Болт/Сıvata	X5 CrNi 18 10
17	Washer/Шайба/Rondela	X5 CrNi 18 10
18	Bolt/Болт/Сıvata	Steel 8.8/Сталь 8.8/Çelik 8.8
19	Square nut/Квадратная гайка/Kare somun	GGG-50
20	Bolt/Болт/Сıvata	X5 CrNi 18 10
21	Indicator/Индикатор/İndikatör	ALSI 13
22	Ind. Wedge/Клин индикатора/İnd. Kaması	Copper Alloy/Сплав меди/Bakır Alaşımı
23	Set Screw/Становочный винт/Başsız Vida	Stainless Steel/Нержавеющая сталь/Paslanmaz Çelik
24	Dust Guard/Защита от пыли/Toz Koruması	NBR
25	Plug 1/2"/Заглушка 1/2 дюйма/1/2" tара	Ductile Iron/Ковкий чугун/Duktil Demir



Model 05-57 • RF Flanges/Фланцы RF/Flanşlar PN16 • Non Rising Stem/Невыемной шток/Sabit Mil (NRS)

Art. Nr.	DN	PN [Bar]	D mm	K mm	G mm	b	no x d	BS mm	A mm	D1 mm	Q Kg	Turns to open Поворачивается для открытия/ Dönerek açar	☑	
055700608	50	2"	16	165	125	99	19	4 x 19	178	324	125	13	12.5	✓
055700768	65	2.1/2"	16	185	145	118	19	4 x 19	190	361	150	16	13.0	✓
055700898	80	3"	16	200	160	132	19	8 x 19	203	390	175	20	16.0	✓
055701148	100	4"	16	220	180	156	19	8 x 19	229	425	200	25	20.0	✓
055701688	150	6"	16	285	240	211	19	8 x 23	267	530	300	45	30.0	✓
055702198	200	8"	16	340	295	266	20	12 x 23	292	625	350	70	33.0	✓
055702738	250	10"	16	400	355	319	22	12 x 28	330	730	400	93	45.0	✓
055703248	300	12"	16	455	410	370	25	12 x 28	356	805	500	129	50.0	✓
055703558	350	14"	16	533.5	476.25	429	35	12 x 28.6	381	748	500	238	57	✓
055704068	400	16"	16	597	539.75	480	36.5	16 x 28.6	406.5	936	630	189	57	✓
055704578	450	18"	16	635	578	550	39.5	16 x 32	431.8	936	630	189	57	✓
055705088	500	20"	16	698.5	635	609	42	16 x 32	457	1103	800	319	63	✓
055706098	600	24"	16	813	794.3	682	-	20 x 35	508	1280	800	547	60	✓

For Supervisory Switch: Order number WS00000011 (model BIGGY 999887 incl. mounting material) separately.
Для контрольного выключателя: Номер позиции WS00000011 (модель BIGGY 999887, включая крепеж) заказывается отдельно.
Süpervizörlü Anahtar için: Ayrıca sipariş ediniz - Sipariş numarası WS00000011 (montaj malzemeleri de dahil model BIGGY 999887)

Shut Off Valves, Gate Valves, Non Rising Stem

● Запорные клапаны, задвижки, невыдвижной шток

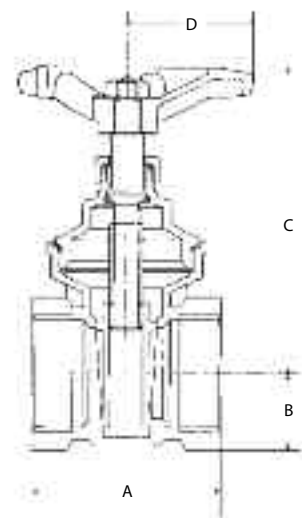
● Kapatma vanaları, kesme vanaları, sabit mil



MODEL R55

Body:
Корпус:
Gövde:

Brass
Латунь
Pirinç



Model R55								
Art. Nr.	DN		PN [Bar]	A mm	B mm	C mm	D mm	Kg
R5500210	15	1/2"BSP	16	43	15	63	30	0.25
R5500270	20	3/4"BSP	16	48	18	72	36	0.40
R5500340	25	1"BSP	16	54	22	82	36	0.50
R5500420	32	1.1/4"BSP	16	62	28	96	42	0.70
R5500480	40	1.1/2"BSP	16	64	31	110	48	1.00
R5500600	50	2"BSP	16	75	38	135	54	1.50
R5500760	65	2.1/2"BSP	10	80	48	181	73	2.90

No switches possible / Установка выключателей невозможна / Anahtar mümkün değildir

Shut Off Valves, Gate Valves, Outside Screw & Yoke

R Запорные клапаны, задвижки с выдвижным штоком]

T Vannes d'Arrêt, Vannes à Passage Direct à Tige Sortante FM



Body: **Bronze**
Корпус: Бронза
Gövde: Bronz

Handwheel: **Cast Iron**
Ручной штурвал Литейный чугун
Kumanda Çarkı Dökme Demir

Model 18								
Art. Nr.	DN	PN [Bar]	Length Длина Uzunluk mm	Height Высота Yükseklik mm	Kg	FM	UL	
66G00210	15 1/2"NPT	12	59	149	1.0	√	√	
66G00270	20 3/4"NPT	12	62	164	1.5	√	√	
66G00340	25 1"NPT	12	65	202	2.0	√	√	
66G00420	32 1.1/4"NPT	12	71	241	13.4	√	√	
66G00480	40 1.1/2"NPT	12	73	248	3.5	√	√	
66G00600	50 2"NPT	12	53	285	5.4	√	√	

Suitable Switch / Подходящий выключатель / Uygun Anahtar 217 / 218

Shut Off Valves, Gate Valves, Outside Screw & Yoke

- R** Запорные клапаны, задвижки с выдвигным штоком
- T** Kapama vanaları, kesme vanaları, yükselen milli (OS&Y)



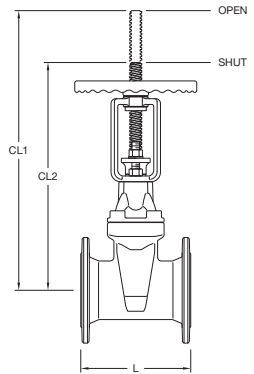
MODEL TMRX



TFP1540



FLANGE-FLANGE

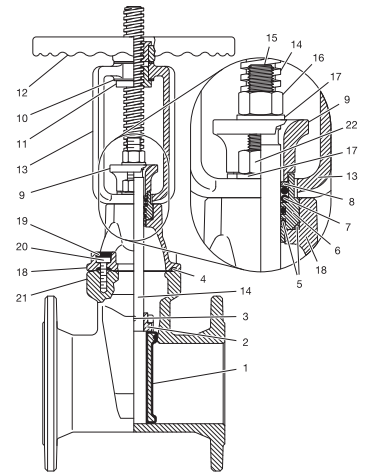


Dimension table/Таблица размеров/Boyut Tablosu

Ansi 125	PN10	Size Размер Boyut	L	CL1	CL2	Turns to open Поворачивается для открытия Dönerek açar	Ø Kg	UL	FM
TMRX-0500003	TMRX-0500001	2" / DN50	178	395	332	12	13.5	✓	✓
TMRX-0650003	TMRX-0650001	2½" / DN65	190	410	338	16	16	✓	✓
TMRX-0800003	TMRX-0800001	3" / DN80	203	480	380	20	19	✓	✓
TMRX-1000003	TMRX-1000001	4" / DN100	229	573	450	20	26	✓	✓
TMRX-1500003	TMRX-1500001	6" / DN150	267	750	592	25	44	✓	✓
TMRX-2000003	TMRX-2000001	8" / DN200	292	956	748	34	70	✓	✓
TMRX-2500003	TMRX-2500001	10" / DN250	330	1175	888	42	120	✓	✓
TMRX-3000003	TMRX-3000001	12" / DN300	356	1318	1005	50	150	✓	✓

Parts List/Список деталей/Parça Listesi

Nr.	Description Описание Tanım	Material Материал Malzeme
1	Wedge, Rubber Encapsulated/Клин, заключенный в резиновую оболочку/Kama, lastik kapsülülü	Ductile Iron EN-GJS-450-10/Ковкий чугун EN-GJS-450-10/Duktil Demir EN-GJS-450-10
2	Wedge Nut/Гайка клина/Kama Somunu	Copper Alloy CW602N-H070/Сплав меди CW602N-H070/Bakır Alaşım CW602N-H070
3	Stem Pin/Штифт штока/Mil Pimi	Stainless Steel 1.4034/Нержавеющая сталь 1.4034/Paslanmaz Çelik 1.4034
4	Sealing Gasket/Уплотнительная прокладка/Karama Contası	EPDM/Этилен-пропилен-диен-каучук/EPDM
5	Sealing O Rings/Уплотнительные кольца/Karama O Halkası	NBR/Нитриловая резина/NBR
6	Stem Guide/Направляющая штока/Mil Kılavuzu	Copper Alloy CW602N-H070/Сплав меди CW602N-H070/Bakır Alaşım CW602N-H070
7	Stem Gland/Сальник штока/Mil Salmastrası	NBR/Нитриловая резина/NBR
8	Compression Washer/Нажимная шайба/Sıkıştırma Rondelası	Stainless Steel 1.4034/Нержавеющая сталь 1.4034/Paslanmaz Çelik 1.4034
9	Top Gland/Верхний сальник/Üst Salmastra	Ductile Iron EN-GJS-450-10/Ковкий чугун EN-GJS-450-10/Duktil Demir EN-GJS-450-10
10	Bearings/Подшипники/Yataklar	Copper Alloy CW602N-H070/Сплав меди CW602N-H070/Bakır Alaşım CW602N-H070
11	Top Nut/Верхняя гайка/Üst Somun	Copper Alloy CW602N-H070/Сплав меди CW602N-H070/Bakır Alaşım CW602N-H070
12	Hand Wheel/Ручной штурвал/Kumanda Çarkı	Ductile Iron EN-GJS-450-10/Ковкий чугун EN-GJS-450-10/Duktil Demir EN-GJS-450-10
13	Yoke/Траверса/Boyunduruk	Ductile Iron EN-GJS-450-10/Ковкий чугун EN-GJS-450-10/Duktil Demir EN-GJS-450-10
14	Stem/Шток/Mil	Stainless Steel 1.4034/Нержавеющая сталь 1.4034/Paslanmaz Çelik 1.4034
15	Gland Stud/Болт сальника/Salmastra Vidası	Carbon Steel/Углеродистая сталь/Karbon Çelik
16	Gland Nut/Гайка сальника/Salmastra Somunu	Carbon Steel/Углеродистая сталь/Karbon Çelik
17	Gland Washers/Шайбы сальника/Salmastra Rondelaları	Carbon Steel/Углеродистая сталь/Karbon Çelik
18	Bonnet Casting/Литой колпак/Başlık Kalıbı	Ductile Iron EN-GJS-450-10/Ковкий чугун EN-GJS-450-10/Duktil Demir EN-GJS-450-10
19	Screw Grouting/Винт/Vida Derz Dolgusu	Activated resin/Активированная смола/Aktif reçine
20	Bonnet Screws/Винты колпака/Başlık Vidaları	Carbon Steel/Углеродистая сталь/Karbon Çelik
21	Body Casting/Литой корпус/Gövde Kalıbı	Ductile Iron EN-GJS-450-10/Ковкий чугун EN-GJS-450-10/Duktil Demir EN-GJS-450-10
22	Yoke Hex Nut/Шестигранная гайка траверсы/Boyunduruk Çatal Somunu	Carbon Steel/Углеродистая сталь/Karbon Çelik



Max. Pressure / Макс. давление / Maks. Basıncı : UL 20,7 Bar (300 Psi), FM 16 Bar (232 Psi)
Suitable Switch / Подходящий выключатель / Uygun Anahtar Art. Nr. 217 / 218

Technical Data/Технические данные/Teknik Veriler

Size Range Диапазон размеров Boyut Aralığı	Max. Operating Pressure Макс. рабочее давление Maks. Çalışma Basıncı	Max. Test Pressure Макс. тестовое давление Maks. Test Basıncı	Manufacturing Standard Стандарт изготовления Üretim Standartı	Flanges Фланцы Flanşlar
DN50 – DN300 (2" – 12")	16 Bar (232 Psi)	24 Bar (Type Tested to 80 Bar)	FM / EN1074 / ISO 7259	PN10 / PN16 or ANSI 125 / 150

Shut Off Valves, Gate Valves, Outside Screw & Yoke

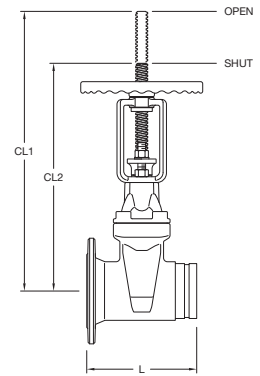
- R** Запорные клапаны, задвижки с выдвигным штоком
- T** Karapa vanaları, kesme vanaları, yükselen milli (OS&Y)



TFP1540



FLANGE-GROOVE

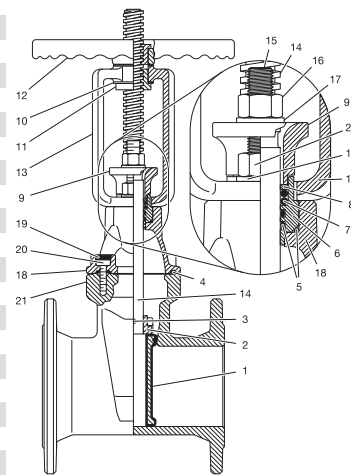


Dimension table/Таблица размеров/Boyut Tablosu

GRV-PN16	Size Размер Boyut	L	CL1	CL2	Turns to open Поворачивается для открытия Dönerek açar	Q Kg	UL	FM
TMRT-0500601	2"/50-60.3 mm	178	395	332	12	12.5	✓	✓
TMRT-0650761	2.1/2"/65-76.1 mm	190	410	338	16	14	✓	✓
TMRT-0800891	3"/80-88.9 mm	203	480	380	20	16.5	✓	✓
TMRT-1001141	4"/100-114.3 mm	229	573	450	20	23	✓	✓
TMRT-1501681	6"/150-168.3 mm	267	750	592	25	40	✓	✓
TMRT-2002191	8"/200-219.1 mm	292	956	748	34	65	✓	✓
TMRT-2502731	10"/250-273 mm	330	1175	888	42	110	✓	✓
TMRT-3003241	12"/300-323.9 mm	356	1318	1005	50	135	✓	✓

Parts List/Список деталей/Parça Listesi

Nr.	Description Описание Tanım	Material Материал Malzeme
1	Wedge, Rubber Encapsulated/Клинь заключенный в резиновую оболочку/Kama, lastik kapsülülü	Ductile Iron EN-GJS-450-10/Ковкий чугун EN-GJS-450-10/Duktil Demir EN-GJS-450-10
2	Wedge Nut/Гайка клина/Kama Somunu	Copper Alloy CW602N-H070/Сплав меди CW602N-H070/Bakır Alaşım CW602N-H070
3	Stem Pin/Штифт штока/Mil Pimi	Stainless Steel 1.4034/Нержавеющая сталь 1.4034/Paslanmaz Çelik 1.4034
4	Sealing Gasket/Уплотнительная прокладка/Karapa Contası	EPDM/Этилен-пропилен-диен-каучук/EPDM
5	Sealing O Rings/Уплотнительные кольца/Karapa O Halkası	NBR/Нитриловая резина/NBR
6	Stem Guide/Направляющая штока/Mil Kılavuzu	Copper Alloy CW602N-H070/Сплав меди CW602N-H070/Bakır Alaşım CW602N-H070
7	Stem Gland/Сальник штока/Mil Salmastrası	NBR/Нитриловая резина/NBR
8	Compression Washer/Нажимная шайба/Sıkıştırma Rondelası	Stainless Steel 1.4034/Нержавеющая сталь 1.4034/Paslanmaz Çelik 1.4034
9	Top Gland/Верхний сальник/Üst Salmastra	Ductile Iron EN-GJS-450-10/Ковкий чугун EN-GJS-450-10/Duktil Demir EN-GJS-450-10
10	Bearings/Подшипники/Yataklar	Copper Alloy CW602N-H070/Сплав меди CW602N-H070/Bakır Alaşım CW602N-H070
11	Top Nut/Верхняя гайка/Üst Somun	Copper Alloy CW602N-H070/Сплав меди CW602N-H070/Bakır Alaşım CW602N-H070
12	Hand Wheel/Ручной штурвал/Kumanda Çarkı	Ductile Iron EN-GJS-450-10/Ковкий чугун EN-GJS-450-10/Duktil Demir EN-GJS-450-10
13	Yoke/Траверса/Voyunduruk	Ductile Iron EN-GJS-450-10/Ковкий чугун EN-GJS-450-10/Duktil Demir EN-GJS-450-10
14	Stem/Шток/Mil	Stainless Steel 1.4034/Нержавеющая сталь 1.4034/Paslanmaz Çelik 1.4034
15	Gland Stud/Болт сальника/Salmastra Vidası	Carbon Steel/Углеродистая сталь/Karbon Çelik
16	Gland Nut/Гайка сальника/Salmastra Somunu	Carbon Steel/Углеродистая сталь/Karbon Çelik
17	Gland Washers/Шайбы сальника/Salmastra Rondelaları	Carbon Steel/Углеродистая сталь/Karbon Çelik
18	Bonnet Casting/Литой колпак/Başlık Kalıbı	Ductile Iron EN-GJS-450-10/Ковкий чугун EN-GJS-450-10/Duktil Demir EN-GJS-450-10
19	Screw Grouting/Винт/Vida Derz Dolgusu	Activated resin/Активированная смола/Aktif reçine
20	Bonnet Screws/Винты колпака/Başlık Vidaları	Carbon Steel/Углеродистая сталь/Karbon Çelik
21	Body Casting/Литой корпус/Gövde Kalıbı	Ductile Iron EN-GJS-450-10/Ковкий чугун EN-GJS-450-10/Duktil Demir EN-GJS-450-10
22	Yoke Hex Nut/Шестигранная гайка траверсы/Voyunduruk Çatal Somunu	Carbon Steel/Углеродистая сталь/Karbon Çelik



Shown / Показано / Gösterilen F x F

Max. Pressure / Макс. давление / Maks. Basınç : UL 20,7 Bar (300 Psi), FM 16 Bar (232 Psi)
Suitable Switch / Подходящий выключатель / Uygun Anahtar Art. Nr. 217 / 218

Technical Data/Technische Daten/Teknik Veriler

Size Range Диапазон размеров Boyut Aralığı	Max. Operating Pressure Макс. рабочее давление Maks. Çalışma Basıncı	Max. Test Pressure Макс. тестовое давление Maks. Test Basıncı	Manufacturing Standard Стандарт изготовления Üretim Standardı	Flanges Фланцы Flanşlar
DN50 – DN300 (2" – 12")	16 Bar (232 Psi)	24 Bar (Type Tested to 80 Bar)	FM / EN1074 / ISO 7259	PN10 / PN16 or ANSI 125 / 150

Shut Off Valves, Gate Valves, Outside Screw & Yoke

- R** Запорные клапаны, задвижки с выдвигным штоком
- T** Karapa vanaları, kesme vanaları, yükselen milli (OS&Y)



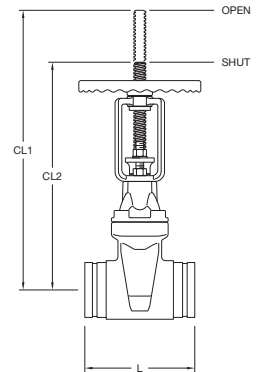
MODEL TMRG



TFP1540



GROOVE-GROOVE

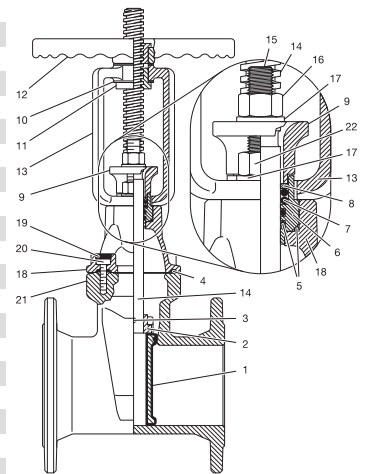


Dimension table/Таблица размеров/Boyut Tablosu

Grooved	Size Размер Boyut	L	CL1	CL2	Turns to open Поворачивается для открытия Dönerek açar	Q Kg	UL	FM
TMRG-0500604	2"/50-60.3 mm	178	395	332	12	11.5	✓	✓
TMRG-0650764	2.1/2"/65-76.1 mm	190	410	338	16	12	✓	✓
TMRG-0800894	3"/80-88.9 mm	203	480	380	20	14	✓	✓
TMRG-1001144	4"/100-114.3 mm	229	573	450	20	20	✓	✓
TMRG-1501684	6"/150-168.3 mm	267	750	592	36	36	✓	✓
TMRG-2002194	8"/200-219.1 mm	292	956	748	50	50	✓	✓
TMRG-2502734	10"/250-273.1 mm	330	1175	888	100	100	✓	✓
TMRG-3003244	12"/300-323.9 mm	356	1318	1005	125	125	✓	✓

Parts List/Список деталей/Parça Listesi

Nr.	Description Описание Tanım	Material Материал Malzeme
1	Wedge, Rubber Encapsulated/Клин, заключенный в резиновую оболочку/Kama, lastik kapsülü	Ductile Iron EN-GJS-450-10/Ковкий чугун EN-GJS-450-10/Duktil Demir EN-GJS-450-10
2	Wedge Nut/Гайка клина/Kama Somunu	Copper Alloy CW602N-H070/Сплав меди CW602N-H070/Bakır Alaşım CW602N-H070
3	Stem Pin/Штифт штока/Mil Pimi	Stainless Steel 1.4034/Нержавеющая сталь 1.4034/Paslanmaz Çelik 1.4034
4	Sealing Gasket/Уплотнительная прокладка/Karapa Contası	EPDM/Этилен-пропилен-диен-каучук/EPDM
5	Sealing O Rings/Уплотнительные кольца/Karapa O Halkası	NBR/Нитриловая резина/NBR
6	Stem Guide/Направляющая штока/Mil Kılavuzu	Copper Alloy CW602N-H070/Сплав меди CW602N-H070/Bakır Alaşım CW602N-H070
7	Stem Gland/Сальник штока/Mil Salmastrası	NBR/Нитриловая резина/NBR
8	Compression Washer/Нажимная шайба/Sıkıştırma Rondelası	Stainless Steel 1.4034/Нержавеющая сталь 1.4034/Paslanmaz Çelik 1.4034
9	Top Gland/Верхний сальник/Üst Salmastra	Ductile Iron EN-GJS-450-10/Ковкий чугун EN-GJS-450-10/Duktil Demir EN-GJS-450-10
10	Bearings/Подшипники/Yataklar	Copper Alloy CW602N-H070/Сплав меди CW602N-H070/Bakır Alaşım CW602N-H070
11	Top Nut/Верхняя гайка/Üst Somun	Copper Alloy CW602N-H070/Сплав меди CW602N-H070/Bakır Alaşım CW602N-H070
12	Hand Wheel/Ручной штурвал/Kumanda Çarkı	Ductile Iron EN-GJS-450-10/Ковкий чугун EN-GJS-450-10/Duktil Demir EN-GJS-450-10
13	Yoke/Траверса/Boyunduruk	Ductile Iron EN-GJS-450-10/Ковкий чугун EN-GJS-450-10/Duktil Demir EN-GJS-450-10
14	Stem/Шток/Mil	Stainless Steel 1.4034/Нержавеющая сталь 1.4034/Paslanmaz Çelik 1.4034
15	Gland Stud/Болт сальника/Salmastra Vidası	Carbon Steel/Углеродистая сталь/Karbon Çelik
16	Gland Nut/Гайка сальника/Salmastra Somunu	Carbon Steel/Углеродистая сталь/Karbon Çelik
17	Gland Washers/Шайбы сальника/Salmastra Rondelalan	Carbon Steel/Углеродистая сталь/Karbon Çelik
18	Bonnet Casting/Литой колпак/Başlık Kalıbı	Ductile Iron EN-GJS-450-10/Ковкий чугун EN-GJS-450-10/Duktil Demir EN-GJS-450-10
19	Screw Grouting/Винт/Vida Derz Dolgusu	Activated resin/Активированная смола/Aktif reçine
20	Bonnet Screws/Винты колпака/Başlık Vidaları	Carbon Steel/Углеродистая сталь/Karbon Çelik
21	Body Casting/Литой корпус/Gövde Kalıbı	Ductile Iron EN-GJS-450-10/Ковкий чугун EN-GJS-450-10/Duktil Demir EN-GJS-450-10
22	Yoke Hex Nut/Шестигранная гайка траверсы/Boyunduruk Çatal Somunu	Carbon Steel/Углеродистая сталь/Karbon Çelik



Shown / Показано / Gösterilen F x F

Max. Pressure / Макс. давление / Maks. Basınç : UL 20, 7 Bar (300 Psi), FM 16 Bar (232 Psi)
Suitable Switch / Подходящий выключатель / Uygun Anahtar Art. Nr. 217 / 218

Technical Data/Технические данные/Teknik Veriler

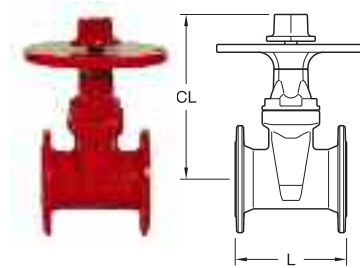
Size Range Диапазон размеров Boyut Aralığı	Max. Operating Pressure Макс. рабочее давление Maks. Çalışma Basıncı	Max. Test Pressure Макс. тестовое давление Maks. Test Basıncı	Manufacturing Standard Стандарт изготовления Üretim Standardı	Flanges Фланцы Flanşlar
DN50 – DN300 (2"– 12")	16 Bar (232 Psi)	24 Bar (Type Tested to 80 Bar)	FM / EN1074 / ISO 7259	PN10 / PN16 or ANSI 125 / 150

Shut Off Valves, Gate Valves, Non Rising Stem, Model TMPX

- R** Запорные клапаны, задвижки, невыемной шток
- T** Kapama vanaları, kesme vanaları, sabit mil, Model TMPX



TFP1545



FLANGE-FLANGE

Dimension table/Таблица размеров/Boyut Tablosu

Ansi	PN	Size	L mm	CL mm	kg FL-FL	FM	FM
TMPX-1000003	TMPX-1000001	4"/DN100	229	332	32	✓	✓
TMPX-1500003	TMPX-1500001	6"/DN150	267	436	47	✓	✓
TMPX-2000003	TMPX-2000001	8"/DN200	292	520	77	✓	✓
TMPX-2500003	TMPX-2500001	10"/DN250	330	620	109	✓	✓
TMPX-3000003	TMPX-3000001	12"/DN300	356	670	134	✓	✓

Parts List/Список деталей/Parça Listesi

Nr.	Description Описание Tanım	Material Материал Malzeme
1	Wedge Nut/Гайка клина/Kama Somunu	Copper Alloy CW602N-H070/Сплав меди CW602N-H070/Bakır Alaşım CW602N-H070
2	Stem/Шток/Mil	Stainless Steel 1.4034/Нержавеющая сталь 1.4034/Paslanmaz Çelik 1.4034
3	Bonnet Screw/Винты колпака/Başlık Vidaları	Carbon Steel/Углеродистая сталь/Karbon Çelik
4	Sealing Gasket/Уплотнительная прокладка/Kapama Contası	EPDM/Этилен-пропилен-диен-каучук/EPDM
5	Bonnet/Колпак/Başlık	Ductile Iron EN-GJS-450-10/Ковкий чугун EN-GJS-450-10/Düktül Demir EN-GJS-450-10
6	Sealing O Rings/Уплотнительные кольца/Карампа O Halkası	NBR/Нитриловая резина/NBR
7	Sealing O Rings/Уплотнительные кольца/Карампа O Halkası	NBR/Нитриловая резина/NBR
8	Stem Ring/Кольцо штока/Mil Pimi	Stainless Steel 1.4034/Нержавеющая сталь 1.4034/Paslanmaz Çelik 1.4034
9	Stem Bearing/Подшипник штока/Mil Yatağı	Copper Alloy CW602N-H070/Сплав меди CW602N-H070/Bakır Alaşım CW602N-H070
10	Dust Guard/Защита от пыли/Toz Koruması	EPDM/Этилен-пропилен-диен-каучук/EPDM
11	Top Cap/Верхняя крышка/Üst Başlık	Ductile Iron EN-GJS-450-10/Ковкий чугун EN-GJS-450-10/Düktül Demir EN-GJS-450-10
12	Cap Screw/Винт с круглой головкой/Başlık Vidası	Carbon Steel/Углеродистая сталь/Karbon Çelik
13	Sealing O Rings/Уплотнительные кольца/Карампа O Halkası	NBR/Нитриловая резина/NBR
14	Indicator Flange/Фланец индикатора/İndikatör Flaşı	Ductile Iron EN-GJS-450-10/Ковкий чугун EN-GJS-450-10/Für ductile EN-GJS-450-10
15	Indicator Top Screw/Верхний винт индикатора/İndikatör Üst Vidası	Carbon Steel/Углеродистая сталь/Karbon Çelik
16	Bushing/Втулка/Kovan	Nylon/Нейлон/Naylon
17	Sealing O Rings/Уплотнительные кольца/Карампа O Halkası	NBR/Нитриловая резина/NBR
18	Screw Grouting/Винт/Vida Derz Dolgusu	Activated Resin/Активированная смола/Aktif reçine
19	Wedge, Rubber Encapsulated/Клин, заключенный в резиновую оболочку/Kama, lastik kapsüllü	Ductile Iron EN-GJS-450-10/Ковкий чугун EN-GJS-450-10/Düktül Demir EN-GJS-450-10
20	Body/Корпус/Gövde	Ductile Iron EN-GJS-450-10/Ковкий чугун EN-GJS-450-10/Düktül Demir EN-GJS-450-10

Max. Pressure / Макс. давление / Maks. Basınç : UL 20.7 Bar (300 Psi), FM 16 Bar (232 Psi)

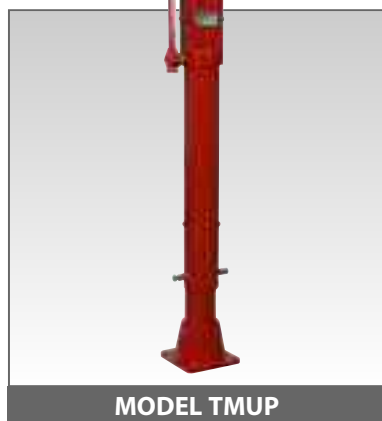
Technical Data/Технические данные/Teknik Veriler

Size Range Диапазон размеров Boyut Aralığı	Max. Operating Pressure Макс. рабочее давление Maks. Çalışma Basıncı	Max. Test Pressure Макс. тестовое давление Maks. Test Basıncı	Manufacturing Standard Стандарт изготовления Üretim Standardı	Flanges Фланцы Flaşlar
DN50 – DN300 (4" - 12")	16 Bar (232 Psi)	24 Bar (Type Tested to 80 Bar)	FM / EN1074 / ISO 7259	PN10 / PN16 or ANSI 125 / 150

Indicator Post Adjustable, Model TMUP

R Регулируемая индикаторная колонка, модель TMUP

T Post İndikatör (Ayarlanabilir), Model TMUP



MODEL TMUP



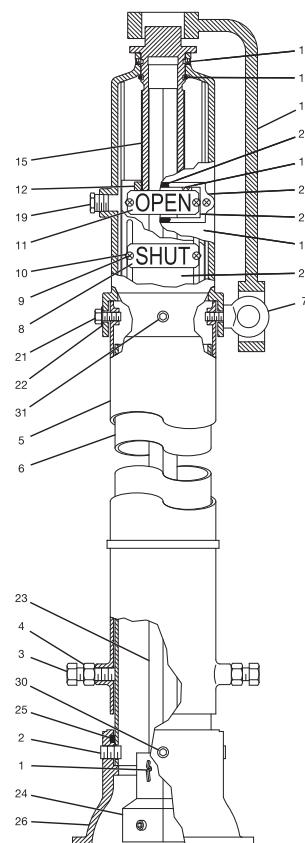
TFP1545

Valve Size DN	Valve Height B mm	Trench Depth A mm	Indicator Post Type Required
100	276	730 - 1370	A
		1320 - 1960	B
		1870 - 2510	C
		2420 - 3060	D
150	354	830 - 1470	A
		1420 - 2060	B
		1970 - 2610	C
		2530 - 3170	D
200	450	950 - 1590	A
		1540 - 2180	B
		2090 - 2730	C
		2650 - 3290	D
250	537	1060 - 1700	A
		1650 - 2290	B
		2200 - 2840	C
		2760 - 3400	D
300	606	1160 - 1800	A
		1750 - 2390	B
		2300 - 2940	C
		2850 - 3490	D

Dimension table/Таблица размеров/Boyut Tablosu

Art. Nr.	Size Размер Boyut	Adjustment Range D mm Диапазон регулирования Ayarlama Araligi	kg	FM
TMUP-A	4" - 12"	403 - 1043	59	✓
TMUP-B	4" - 12"	995 - 1635	66	✓
TMUP-C	4" - 12"	1545 - 2185	72	✓
TMUP-D	4" - 12"	2100 - 2740	78	✓

#	Description	Material
1	Cotter Pin	Carbon Steel
2	Screw Pin	Zinc Coated Carbon Steel
3	Hex Cap Screw M16	Zinc coated carbon steel
4	Hex Nut M16	Zinc coated carbon steel
5	Upper Pipe	FBE coated Carbon Steel
6	Lower Pipe	FBE coated Carbon Steel
7	Eye Bolt M12	Zinc coated carbon steel
8	Target "SHUT"	Aluminum
9	Screw M6	Zinc coated carbon steel
10	Hex Nut M6	Zinc coated carbon steel
11	Target "OPEN"	Aluminum
12	Stem Nut	Bronze
13	O Ring	NBR
14	Wrench	FPB Coated Ductile Iron
15	Operating Stem	Bronze
16	Hex Socket Set Screw	Stainless Steel
17	Post Cap	FBE Coated Ductile Iron
18	Screw M6	Zinc coated carbon steel
19	Pipe Plug 0.5-in NPT	Zinc coated carbon steel
20	Carrier Plate	Carbon Steel
21	Hex Cap Screw M12	Zinc coated carbon steel
22	Flat Washer M12	Zinc coated carbon steel
23	Extension Rod	FBE coated Carbon Steel
24	Connect Cap	FBE coated Ductile Iron
25	O Ring	NBR
26	Bottom Flange	FBP coated Ductile Iron
27	Ferrule	Carbon Steel
28	Window	Plastic
29	Gasket	NBR
30	Hex Socket Set Screw	Stainless Steel
31	Hex Socket Set Screw	Stainless Steel



Indicator Post Wall Type, Model TMWP

- R** Индикаторная колонка настенного типа, модель TMWP
- T** Ayarlanabilir Post İndikatörü [Duvar], Model TMWP

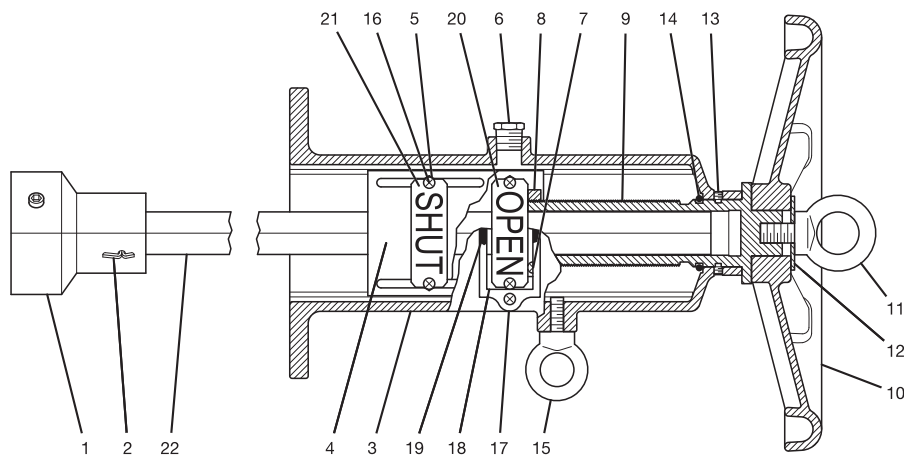


TFP1545

MODEL TMWP

Dimension table/Таблица размеров/Boyut Tablosu

Art. Nr.	Size Размер Boyut	Adjustment Range D mm Диапазон регулирования Ayarlama Aralığı	kg	FM
TMWP	4" - 12"	710	36	√



Parts List/Список деталей/Parça Listesi

Nr.	Description Описание Tanım	Material Материал Malzeme
1	Connect Cap/Крышка соединения/Bağlantı Başlığı	Ductile Iron EN-GJS-450-10/Ковкий чугун EN-GJS-450-10/Duktil Demir EN-GJS-450-10
2	Cotter Pin/Шплинт/Kamali Pim	Carbon Steel/Углеродистая сталь/Karbon Çelik
3	Cross Wall Post Body/Перегородка держателя корпуса/Enine Duvar Post Gövde	Ductile Iron EN-GJS-450-10/Ковкий чугун EN-GJS-450-10/Duktil Demir EN-GJS-450-10
4	Carrier Plate/Несущая пластина/ taşıyıcı Plaka	Carbon Steel/Углеродистая сталь/Karbon Çelik
5	Hex Nut M6/Шестигранная гайка M6/Çatal Somun M6	Carbon Steel/Углеродистая сталь/Karbon Çelik
6	Screw Plug 0.5-in/Закручиваемая заглушка 0,5 дюйма/Vidalı Tapa 0,5 in.	Malleable Iron/Ковкое железо/Dövülebilir demir
7	Screw M6x10/Винт M6x10/Vida M6x10	Carbon Steel/Углеродистая сталь/Karbon Çelik
8	Stem Nut/Гайка штока/Mil Somunu	Copper Alloy CW602N-H070/Сплав меди CW602N-H070/Bakır Alaşım CW602N-H070
9	Operating Stem/Рабочий шток/Çalıştırma Mili	Copper Alloy CW602N-H070/Сплав меди CW602N-H070/Bakır Alaşım CW602N-H070
10	Handle Wheel/Ручной штурвал/Kumanda Çarkı	Ductile Iron EN-GJS-450-10/Ковкий чугун EN-GJS-450-10/Duktil Demir EN-GJS-450-10
11	Eye Bolt M16/Рым-болт M16/Delikli Civata M16	Carbon Steel/Углеродистая сталь/Karbon Çelik
12	Flat Washer M16/Плоская шайба M16/Düz Rondela M16	Carbon Steel/Углеродистая сталь/Karbon Çelik
13	Hex Socket Set Screw/Становочный винт с головкой под шестигранник/Çatal Soket Başsız Vida	Stainless Steel/Углеродистая сталь/Karbon Çelik
14	O-Ring/Уплотнительное кольцо/O-Ring	NBR/Нитриловая резина/NBR
15	Eye Bolt M12/Рым-болт M12/Delikli Civata M12	Carbon Steel/Углеродистая сталь/Karbon Çelik
16	Screw M6x15/SВинт M6x15/Vida M6x15	Carbon Steel/Углеродистая сталь/Karbon Çelik
17	Ferrule/Обжимное кольцо/Demir Halka	Carbon Steel/Углеродистая сталь/Karbon Çelik
18	Window Glass/Стекло окна/Gözetleme camı	Plastic/Пластик/Plastik
19	Target "OPEN"/Табличка "OPEN" (ОТКРЫТО)/Hedef "AÇIK"	Aluminium/Алюминий/Aluminyum
20	Target "SHUT"/Табличка "SHUT" (ЗАКРЫТО)/Hedef "KAPALI"	Aluminium/Алюминий/Aluminyum
21	Extension Rod/Удлинительный стержень/Uzatma Çubuğu	Carbon Steel/Углеродистая сталь/Karbon Çelik

Suitable Switch / Подходящий выключатель / Uygun Anahtar Art. Nr. 220 / 221

Shut Off Valves, Road Box Adjustable

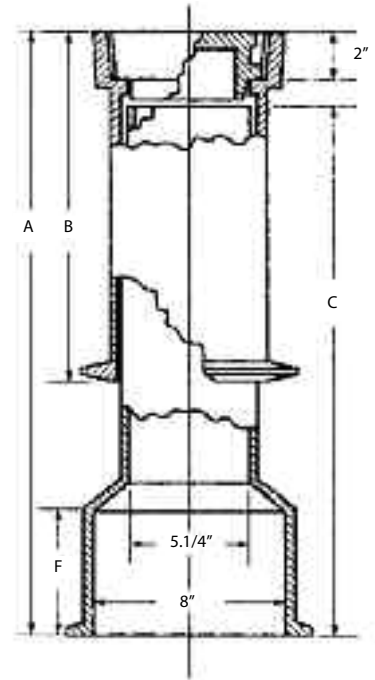
- R** Запорные клапаны, дорожный кожух регулируемый
- T** Karama vanalar, ayarlanabilir rogar kapağı



MODEL 4908

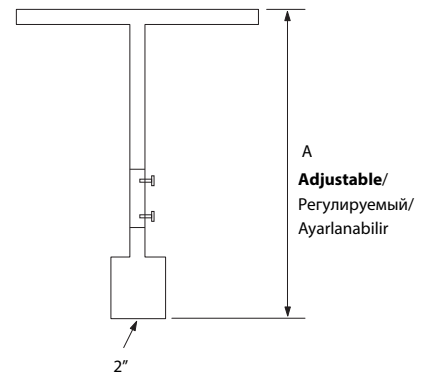


TFP1545



Model 4908						
Top Section Верхняя часть Üst Bölüm	Bottom Section Нижняя часть Alt Bölüm	A mm	B mm	C mm	F mm	kg
Art. No.	Art. No.					
54-S	61-S	457-610	267	381	165	26.8
55-S	61-S	584-737	394	381	165	31.5
55-S	62-S	610-914	394	648	165	36.1
55-S	64-S	914-1219	394	914	216	44.0
56-S	62-S	965-1219	673	648	165	41.1
56-S	64-S	914-1524	673	914	216	52.0

T-Type Wrench/Ключ типа T/T Tipi Anahtar		
Art. No.	A mm	kg
5050	1220-2440	9.0



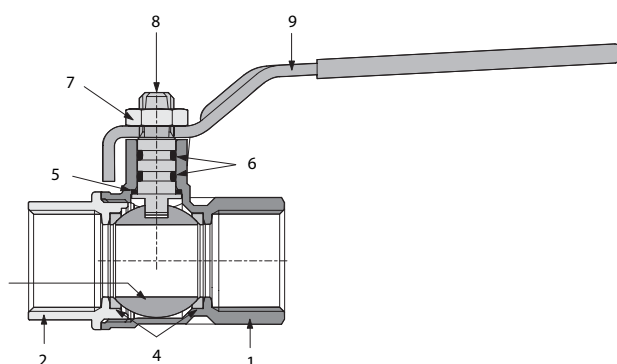
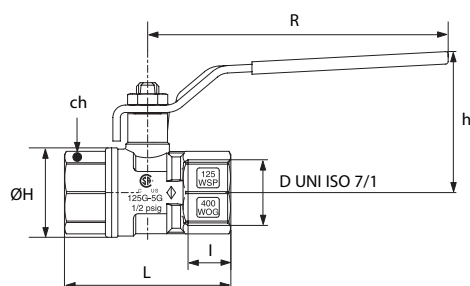
Shut Off Valves, Ball Valve

R Запорные клапаны, шаровой клапан

T Kapatma vanaları, Küresel vana



MODEL 1610



Parts List/Список деталей/Parça Listesi

Nr.	Description Описание Tanım	Material Материал Malzeme
1	Body/Корпус/Gövde	Brass, Nickel Plated/Никелированная бронза/Pirinç, Nikel Kaplamalı
2	End Connection/Концевое подключение/Уç Bağlantısı	Brass, Nickel Plated/Никелированная бронза/Pirinç, Nikel Kaplamalı
3	Ball/Шар/Küre	Brass, Nickel Plated/Никелированная бронза/Pirinç, Nikel Kaplamalı
4	Ball Seat/Седло шара/Küre yuvası	PTFE
5	Antifriction Seat/Антифрикционное седло/Sürtünme önleyici yuva	PTFE
6	O-ring/Уплотнительное кольцо/O Halkası	NBR
7	Nut/Гайка/Somun	Steel, Nickel Plated/Никелированная сталь/Çelik, Nikel Kaplamalı
8	Stem/Шток/Mil	Steel, Zinc Plated/Оцинкованная сталь/Kaplamalı çelik
9	Handle/Ручка/Kol	Steel, Zinc Plated and Plastic Cover/Оцинкованная сталь и пластиковая крышка/Çelik, plastik kilifi içinde çinko kaplamalı

Model 1610 Ball Valve Full Bore/Модель 1610 полнопроходной шаровой клапан/Model 1610 Tam Geçişli Küresel Vana

Art. Nr.	DN	PN [Bar]	I mm	L mm	H mm	CH mm	R mm	h mm	Kv	kg	CE	UL	FM	
1610000130	8	1/4"BSP	64	11	52	23	20	95	48	5.4	0.14	✓	✓	✓
1610000170	10	3/8"BSP	64	11	52	23	20	95	48	6	0.13	✓	✓	✓
1610000210	15	1/2"BSP	30	15	59	30	25	96	48	16	0.17	✓	✓	✓
1610000270	20	3/4"BSP	30	16	67	36	31	121	57	30	0.29	✓	✓	✓
1610000340	25	1"BSP	30	19	82	44	38	121	59	43	0.44	✓	✓	✓
1610000420	32	1.1/4"BSP	25	22	94	53	48	151	73	89	0.76	✓	✓	✓
1610000480	40	1.1/2"BSP	25	22	103	65	54	151	79	230	1.02	✓	✓	✓
1610000600	50	2"BSP	25	26	123	80	67	170	94	265	1.75	✓	✓	✓

Ball Valve with Locking Device/Шаровой клапан с запорным устройством/Kilitleme Cihazı ile Küresel Vana

Art. Nr.	DN	kg
1610LD210	15 1/2"BSP	0.37
1610LD270	20 3/4"BSP	0.49
1610LD340	25 1"BSP	0.64
1610LD420	32 1.1/4"BSP	0.96
1610LD480	40 1.1/2"BSP	1.22
1610LD600	50 2"BSP	1.95

Temperature Range - 20C until +130C, only suitable for water and pressurized air. No gas.

Диапазон температуры: от -20C до +130C, подходит только для воды и сжатого воздуха. Газ не допускается.

Sıcaklık Aralığı -20C ila +130C, sadece su ve basınçlı hava için uygundur. Gaz yok.

TYCENDEFRRP 0713 Tyco reserves the right to change the contents without notice

Shut Off Valves, Ball Valve Stainless Steel


- Запорные клапаны, шаровой клапан из нержавеющей стали
- Karama vanaları, Paslanmaz çelik küresel vana



Body: Stainless Steel 316
Корпус: Нержавеющая сталь 316
Gövde: Paslanmaz Çelik 316

Seat: PTFE
Седло: Тефлон
Yuva: PTFE

Model 601-S Reduced Bore/Модель 601-S уменьшенное проходное отверстие/Model 601-S Sınırlı Geçişli

Art. Nr.	DN		PN	L	Cv	 Kg
			[Bar]	mm		
708S00210	15	1/2"BSP	40	56	7	0.4
708S00270	20	3/4"BSP	40	58	9	0.8
708S00340	25	1"BSP	40	78	16	1.5
708S00420	32	1.1/4"BSP	40	77	24	1.8
708S00480	40	1.1/2"BSP	40	82	37	2.0
708S00600	50	2"BSP	40	99	68	2.5

Shut Off Valves, Angle Valve

R Отсечные клапаны, угловой клапан

T Karata vanaları, Köşe vana



MODEL 126S

Body:
Корпус:
Gövde:

Bronze
Бронза
Bronz

Seat:
Седло:
Yuva

Buna-N
Buna-N
Buna-N

Model 126S

Art. Nr.	DN	PN [Bar]	H mm	O Kg	W
126S00210D	15	1/2"NPT	14	79.4	0.30
126S00270D	20	3/4"NPT	14	82.6	0.50
126S00340D	25	1"NPT	14	91.3	0.90
126S00420D	32	1.1/4"NPT	14	114.3	1.20
126S00480D	40	1.1/2"NPT	14	133.4	1.50
126S00600D	50	2"NPT	14	142.8	2.40

Check Valves

R Обратные клапаны

T Çek Vanaları

Grooved Model CV-1F

Модель CV-1F с грувлочным соединением
Yivli Model CV-1F



P. 4.028

Wafer ANSI Flanges Model 2102

Торцевой, фланцы ANSI, модель 2102
Wafer ANSI flanşlar model 2102



P. 4.029

Wafer Double Door ANSI/PN10/PN16 Flanges Model 8800

Торцевой, двустворчатый, фланцы ANSI/PN10/PN16, модель 8800
Wafer, çift klapeli ANSI/PN10/PN16 Flanşlar Model 8800



P. 4.030

Wafer Double Door DIN Flanges Model C

Торцевой, двустворчатый, фланцы DIN, модель C
Wafer, çift klapeli DIN flanşlar, model C



P. 4.031

Wafer Model 85

Двустворчатый, модель 85
Wafer Model 85



P. 4.032

Flanged Model 2122B1-6

На фланцах, модель 2122B1-6
Flanşlı Model 2122B1-6



P. 4.033

Flanged PN10/16 Model Reto Stop

На фланцах PN10/16, модель Reto Stop
Flanşlı PN10/16 Model Reto Stop



P. 4.034

Flanged PN10/16 Model Eurocheck

На фланцах PN10/16, модель Eurocheck
Flanşlı PN10/16 Model Eurocheck



P. 4.034

Threaded Check Valves Model 62S

Резьбовые обратные клапаны, модель 62S
Dişli çek vanaları, model 62S



P. 4.035

Threaded Check Valves Model N5

Резьбовые обратные клапаны, модель N5
Dişli çek vanaları, model N5



P. 4.035

Check Valves, Grooved

R Обратные клапаны с гравлочным соединением

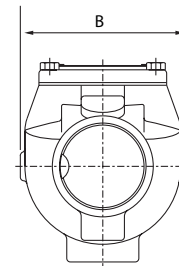
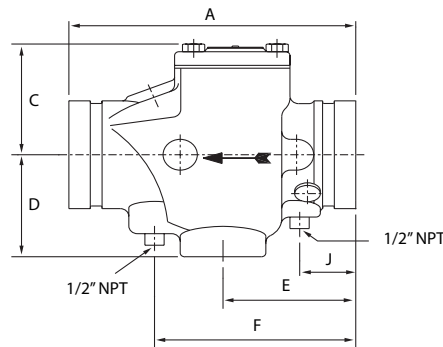
T Çek Vanaları, Yivli



MODEL CV-1F



TFP1550

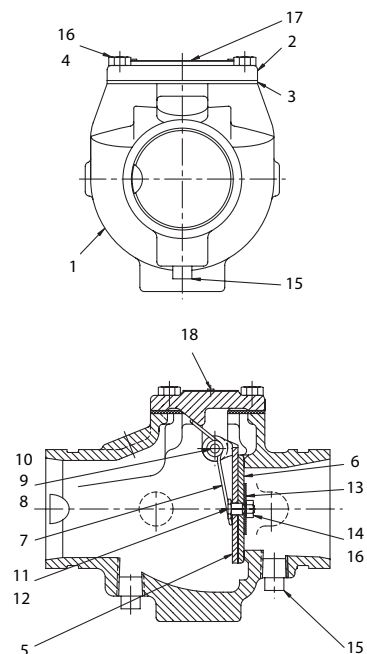


Model CV-1F

Art. Nr.	DN	OD mm	Pmax Bar	A mm	B mm	C mm	D mm	E mm	F mm	J mm	kg	VDS	UL	FM	T/S/U	
595900020	50	2"	60.3	20.7	171.5	111.2	64.8	65.3	82.3	120.7	41.5	4.5	✓	✓	✓	✓
595900025	65	2.1/2"	73.0	20.7	203.2	147.3	86.6	86.4	98.6	152.4	43.2	4.5	✓	✓	✓	✓
595900076	65	2.1/2"	76.1	20.7	203.2	147.3	86.6	86.4	98.6	152.4	43.2	4.5	✓	✓	✓	✓
595900030	80	3"	88.9	20.7	212.6	146.3	91.4	86.4	98.6	152.4	43.2	5.0	✓	✓	✓	✓
595900040	100	4"	114.3	20.7	244.6	171.2	117.1	92.2	115.1	181.1	46.7	11.3	✓	✓	✓	✓
595900139	125	5"	139.7	20.7	266.7	190.5	134.4	106.7	124.5	193.0	48.3	13.2	✓	✓	✓	✓
595900050	125	5"	141.3	20.7	266.7	190.5	134.4	106.7	124.5	193.0	48.3	13.2	✓	✓	✓	✓
595900165	150	6"	165.1	20.7	292.1	204.5	146.1	114.3	127.0	193.0	37.6	21.3	✓	✓	✓	✓
595900060	150	6"	168.3	20.7	292.1	204.5	146.1	114.3	127.0	193.0	37.6	21.3	✓	✓	✓	✓
595900080	200	8"	219.1	20.7	355.6	260.4	196.9	142.7	138.4	213.4	58.9	29.9	✓	✓	✓	✓
595900100	250	10"	273.0	20.7	457.2	330.2	259.3	162.1	190.5	266.7	76.2	49.4	✓	✓	✓	✓
595900120	300	12"	323.9	20.7	533.4	362.7	287.2	184.4	193.5	269.7	69.9	68.0	✓	✓	✓	✓

Parts List/Список деталей/Parça Listesi

Nr.	Description Описание Tanım	Material Материал Malzeme
1	Body / Корпус / Gövde	Ductile Iron / Ковкий чугун / Duktül Demir
2	Cap / Крышка / Karak	Ductile Iron / Ковкий чугун / Duktül Demir
3	Gasket / Прокладка / Conta	Synthetic Fiber / Синтетическое волокно / Sentetik lif
4	Hex Cap Screw / Винт с головкой под шестигранник / Çatal karak vidası	Steel, Zinc Plated / Оцинкованная сталь / Kaplamalı çelik
5	Clapper / Клапан / Karak	Stainless Steel or Ductile Iron / Нержавеющая сталь или ковкий чугун / Paslanmaz Çelik veya Duktül Demir
6	Seal Facing / Облицовка уплотнения / Karak contası	EPDM Grade "E" / Этилен-пропилен-диен-каучук марки "E" / EPDM
7	Spring / Пружина / Yay	Stainless Steel / Нержавеющая сталь / Paslanmaz Çelik
8	Hinge Shaft / Ось шарнира / Menteşe şaftı	Stainless Steel / Нержавеющая сталь / Paslanmaz Çelik
9	Retaining Ring / Стопорное кольцо / Emniyet Halkası	Stainless Steel / Нержавеющая сталь / Paslanmaz Çelik
10	Washer / Шайба / Rondela	Teflon / Тефлон / Teflon
11	Retention Bolt / Упорный болт / Tutucu Civata	Stainless Steel / Нержавеющая сталь / Paslanmaz Çelik
12	Seal Ring / Уплотнительное кольцо / Karama Halkası	Neoprene / Неопрен / Neopren
13	Retaining Disc / Упорный диск / Tutucu disk	Stainless Steel / Нержавеющая сталь / Paslanmaz Çelik
14	Locknut / Стопорная гайка / Emniyet somunu	Stainless Steel / Нержавеющая сталь / Paslanmaz Çelik
15	Plug-1/2"-14 NPT / Заглушка-1/2 дюйма-14 NPT / Tapa	Cast Iron / Литейный чугун / Dökme Demir
16	Nameplate / Идентификационная пластинка / İsim plakası	Aluminium / Алюминий / Alüminyum
17	Rivet / Закленка / Perçin	Steel / Сталь / Çelik



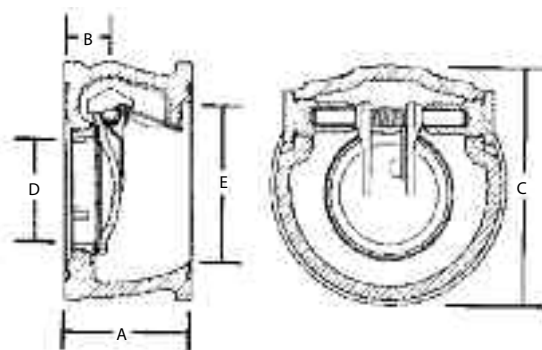
Check Valves, Wafer ANSI Flanges

R Обратные клапаны, торцевые с фланцами ANSI

T Çek vanaları, wafer tip ANSI flanşları



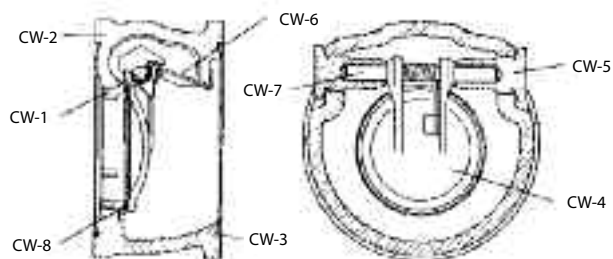
MODEL 2102



Model 2102 ANSI

Art. Nr.	DN	A mm	B mm	C mm	D mm	E mm	Wt Kg	W	FM
2102-01145	100 4"	95	34	175	76	102	7	✓	✓
2102-01685	150 6"	95	39	222	116	154	10	✓	✓
2102-02195	200 8"	108	49	279	152	203	7	✓	✓

Max. 12.1 Bar [175 Psi]



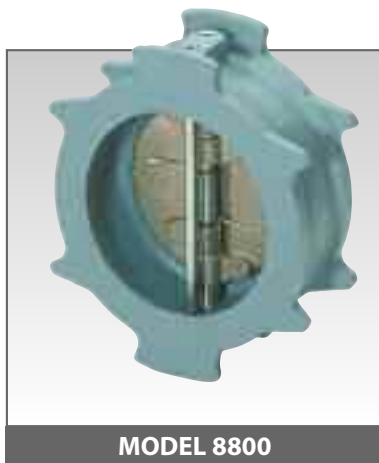
Parts List/Список деталей/Parça Listesi

Nr.	Description Описание Tanım	Material Материал Malzeme
CW-1	Seat ring/Кольцо седла/Увуа Halkası	Cast Bronze/Литая бронза/Dökme Bronz
CW-2	Body/Корпус/Gövde	Cast Iron/Литейный чугун/Dökme Demir
CW-3	O-ring [2 req'd]/Уплотнительное кольцо [требуется 2]/O-ring [2 adet]	Buna-N
CW-4	Clapper/Клапан/Karak	Cast Bronze/Литая бронза/Dökme Bronz
CW-5	Bushing [2 req'd]/Втулка [требуется 2]/Kovan [2 adet]	Brass/Латунь/Pirinç
CW-6	Spring/Пружина/Yay	Stainless steel/Нержавеющая сталь/Paslanmaz Çelik
CW-7	Hinge Pin/Штифт шарнира/Menteşe Pimi	Stainless steel/Нержавеющая сталь/Paslanmaz Çelik
CW-8	Seal, Seat/Уплотнение, седло/Karata, uvuа	EPDM/Этилен-пропилен-диен-каучук/EPDM

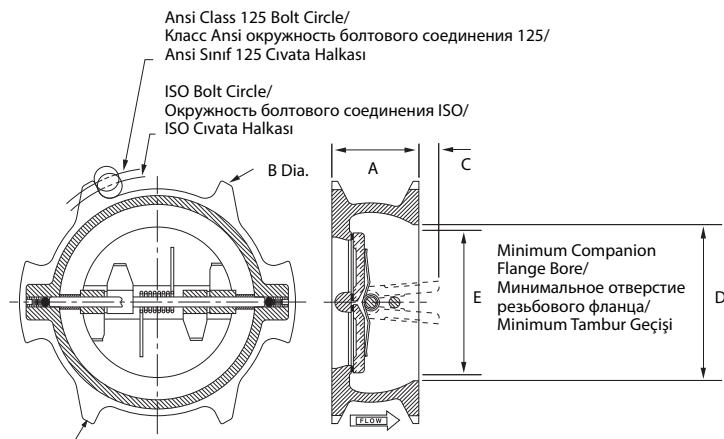
Check Valves, Wafer Double Door ANSI / PN10 / PN16 Flanges

R Обратные двустворчатые межфланцевые клапаны для фланцев ANSI / PN10 / PN16

T Çek Vanaları, Wafer Çift Klapeли ANSI / PN10 / PN16 Flanşlar



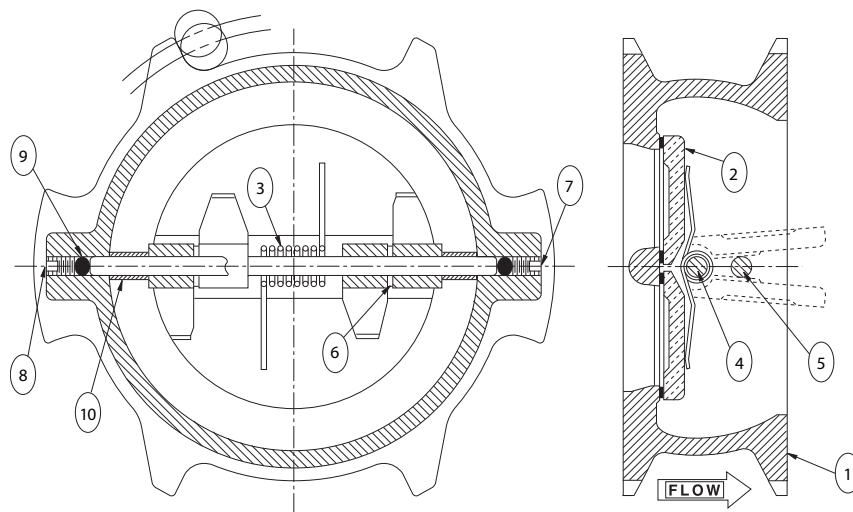
MODEL 8800



Model 8800

Art. Nr.	DN	A mm	B mm	C mm	D mm	E mm	kg	UL	FM
880000600	50 2"	54	130	0	73	0	1.8	✓	✓
880000890	80 3"	67	143	5	99	43	3.2	✓	✓
880001140	100 4"	67	197	16	121	78	4.1	✓	✓
880001680	150 6"	95	219	21	159	108	8.6	✓	✓
880002190	200 8"	127	311	25	203	140	17.2	✓	✓
880002730	250 10"	140	375	52	260	216	29.5	✓	✓
880003240	300 12"	181	441	49	305	235	42.6	✓	✓

Max. 12.1 Bar [175 Psi]



Parts List/Список деталей/Parça Listesi

Nr.	Description Описание Tanım
1	Body/Корпус/Gövde
2	Disc/Диск/Disk
3	Torsion Spring/Скручивающая пружина/Kurma Yayı
4	Disc Hinge Pin/Штифт шарнира диска/Disk Menteşe Pimi
5	Disc Stop Pin/Стопорный штифт диска/Disk Durdurma Pimi
6	Disc Thrust Bearing/Упорный подшипник диска/Disk Kaymalı Yatac
7	Hinge Pin Retainer/Держатель штифта шарнира/Menteşe Pimi Tutucu
8	Stop Pin Retainer/Держатель стопорного штифта/Durdurma Pimi Tutucu
9	Stabilization Sphere/Стабилизирующая сфера/Sabitleme Küresi
10	Spacer/Распорка/Ara Halkası

Check Valves, Double Door for DIN Flanges

R Обратные клапаны двухстворчатые для фланцев DIN

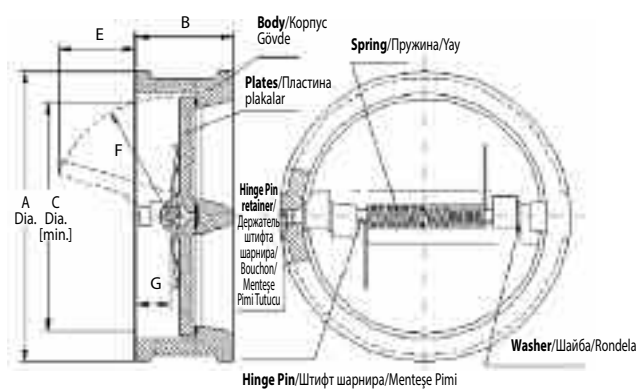
T Çek Vanaları, DIN Flanşlar için Çift Klapeleli



MODEL C

Model C, Twin Plate Wafer/Торцевой со сдвоенной пластиной/Çift Klapeleli Wafer Type PN10/16									
Art. Nr.	DN		A mm	B mm	C mm	E mm	F mm	G mm	CE WIPPO
C7310604	50	2"	108	43	58	12	33	22	√ √
C7310764	65	2.1/2"	128	46	58	12	33	25	√ √
C7310894	80	3"	143	64	71	18	41	33	√ √
C73101144	100	4"	163	64	96	28	52	26	√ √
C10701683	150	6"	219	76	128	33	70	35	√ √
C10702193	200	8"	275	89	192	60	104	36	√ √
C10702733	250	10"	329	114	244	81	126	48	√ √
C10703243	300	12"	380	114	295	100	153	49	√

Max. 16 Bar [230 Psi]



Parts List/Список деталей/Parça Listesi

Description Описание Tanım	Material Материал Malzeme
Body/Корпус/Gövde	Cast iron/Литейный чугун/Dökme Demir
Seat/Седло/Үува	EPDM/Этилен-пропилен-диен-каучук/EPDM

25 Bar version on request / Версии для давления 25 бар по запросу / 25 Bar talep halinde mevcuttur

Check Valves, Wafer

R Обратные клапаны, торцевые

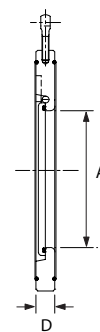
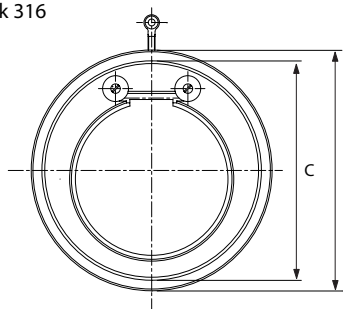
T Çek Vanalar, Wafer tipi



MODEL 85

Body: Stainless Steel 316
 Корпус: Нержавеющая сталь
 Gövde: Paslanmaz Çelik 316

Seat: NBR
 Седло: Нитриловая резина
 Yuva: NBR



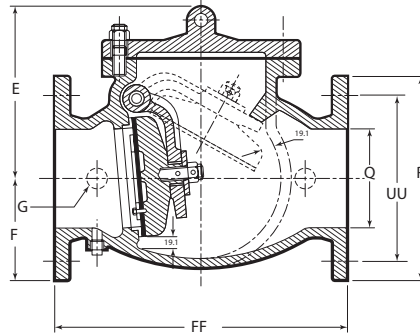
Model 85, Wafer/Модель 85 Торцевой/Model 85, Wafer Type ANSI/PN10/16

Art. Nr.	DN		A mm	B mm	C mm	D mm	KV	kg
85200DN40	40	1.1/2"	22	95	79	14	23	0.7
85200DN50	50	2"	32	109	87	14	49	0.9
85200DN65	65	2.1/2"	40	129	109	14	75	1.2
85200DN80	80	3"	54	144	119	14	126	1.5

Max. 16 Bar [230 Psi]

Check Valves, Flanged

- R** Обратные клапаны, с фланцами
- T** Çek Vanaları, Flanşlı



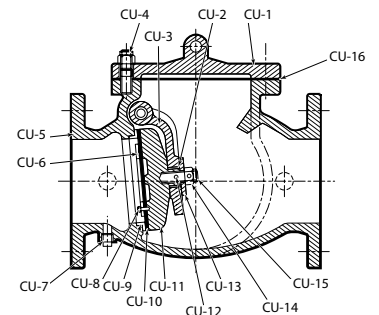
Model P-2122B1-6 Rubber disc / Bronze Seat / Модель P-2122B1-6 Резиновый диск / Бронзовое седло / Plastik disk / Bronz yuva

Art. Nr. ANSI 125	Art. Nr. PN16	DN		E mm	F mm	FF mm	G mm	R mm	UU mm	Q mm	kg	UL	FM
2122B1-60765	2122B1-60768	65	2½"	167	89	216	38	178	140	65	20.0	✓	✓
2122B1-60895	2122B1-60898	80	3"	190	96	241	38	191	152	80	23.1	✓	✓
2122B1-61145	2122B1-61148	100	4"	211	115	292	38	229	191	100	36.3	✓	✓
2122B1-61685	2122B1-61685	150	6"	269	140	356	44	279	241	150	68.9	✓	✓
2122B1-62195	2122B1-62198	200	8"	310	172	495	44	343	299	200	142.0	✓	✓
2122B1-62735	2122B1-62738	250	10"	352	203	622	53	406	362	250	209.3	✓	✓
2122B1-63245	2122B1-63248	300	12"	413	242	698	54	483	432	300	299.4	✓	✓

Max. 10 Bar [150 Psij] - DN350

Parts List/Список деталей/Parça Listesi

Nr.	Description Описание Tanım	Material Материал Malzeme	Material Standard Стандарт материал Standart Malzeme
CU-1	Cover/Крышка/Kapak	Cast Iron/Литейный чугун /Dökme Demir	ASTM 126 Class B
CU-2	Cover Gasket/Прокладка крышки/Kapak contası	Rubber/Резина/Plastik	ASTM B62
CU-3	Cover Bolt & Nut/Болт и гайка крышки/Kapak civatası ve somunu	Steel/Сталь/Celik	ASTM 126 Class B
CU-4	Hinge Plug/Заглушка шарнира/Menteşe tapası	Bronze/Бронза/Bronz	ASTM A307 Grade B
CU-5	Hing Bushing/Втулка шарнира/Menteşekovanı	Brass Tubing/Латунная трубка/Pirinç boru	ASTM 126 Class B
CU-6	Hinge Pin/Штифт шарнира/Menteşe Pimi	Brass/Латунь/Pirinç	ASTM B62
CU-7	Stud Nut/Гайка штока/Saplama somunu	Bronze/Бронза/Bronz	ASTM 47
CU-8	Stud Bushing/Втулка штока/Saplama kovani	Brass Tubing/Латунная трубка/Pirinç boru	ASTM A276 Type 304
CU-9	Disc Stud/Шток диска/Disk saplaması	Brass/Латунь/Pirinç	ASTM B62
CU-10	Disc - Metal Seat/Диск - металлическое седло/Disk - Metal yuva	Cast Iron/Литейный чугун /Dökme Demir	Buna D2000 BK707
CU-11	Clapper Arm/Рычаг клапана/Klape kolu	Malleable Iron/Ковкое железо/Dövülebilir demir	ASTM 126 Class B
CU-12	Seat Ring/Кольцо седла/Yuva Halkası	Bronze/Бронза/Bronz	ASTM 276 Type 304
CU-13	Body - Flange Ends/Корпус - концы на фланцах/Gövde - Flanş uçları	Cast Iron/Литейный чугун /Dökme Demir	ASTM B21
CU-14	Disc - Rubber Seat/Диск - резиновое седло/Disk - Plastik yuva	Cast Iron/Литейный чугун /Dökme Demir	ASTM B21
CU-15	Retaining Washer/Упорная шайба/Tutucu rondela	Bronze/Бронза/Bronz	ASTM B21
CU-16	Retaining Nut/Упорная гайка/Tutucu somun	Brass/Латунь/Pirinç	Buna D2000 BK707
CU-17	Disc Facing/Облицовка диска/Disk contası	Rubber/Резина/Plastik	ASTM B21
CU-18	Pipe Plug/Заглушка трубы/Boru tapası	Steel/Сталь/Celik	Buna N D2000 BK 707
CU-19	Hinge Pin/Штифт шарнира/Menteşe Pimi	Stainless Steel/Нержавеющая сталь/Paslanmaz Çelik	ASTM 276 Type 304
CU-20	Body Bushing/Втулка корпуса/Gövde kovani	Bronze/Бронза/Bronz	ASTM B62
CU-21	Spacer/Распорка/Ara Halkası	Bronze/Бронза/Bronz	ASTM B62
CU-22	Arm Bushing/Втулка рычага/Kol kovani	Bronze/Бронза/Bronz	ASTM B62



Only for horizontal mounting / Только для горизонтальной установки / Sadece yatay montaj için

Check Valves, DIN Flanged

R Обратные клапаны, фланцы DIN

T Çek Vanaları, DIN Flanşlı



MODEL RETO STOP

Body: GGG40

Корпус: GGG40

Gövde: GGG40

Seat: Messing

Седло: Смешение

Yuva: Messing

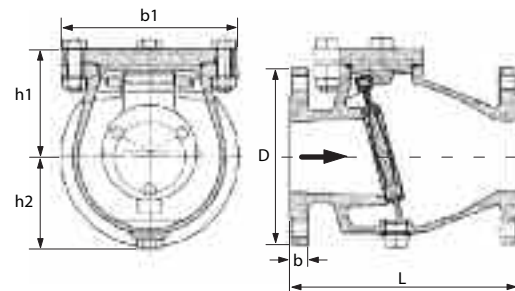
Clapper: GGG40/NBR

Клапан: GGG40/

Нитриловая

резина

Карак: GGG40/NBR



Model RETO STOP

Art. Nr.	DN	PN [Bar]	Drilling Сверление Delme	b1 mm	h1 mm	h2 mm	L mm	D mm	b mm	kg	VPS
177428	50 2"	16	PN10/16	164	100	90	200	165	20	14	✓
177429	65 2.1/2"	16	PN10/16	186	111	98	240	185	20	17	✓
177430	80 3"	16	PN10/16	200	125	105	260	200	22	21	✓
177431	100 4"	16	PN10/16	225	140	125	300	220	24	29	✓
177432	125 5"	16	PN10/16	304	175	157	350	250	26	42	✓
177433	150 6"	16	PN10/16	360	205	172	400	285	26	60	✓
177434	200 8"	10	PN10	400	251	205	500	340	30	92	✓
177435	250 10"	10	PN10	464	290	230	600	405	32	145	✓
177436	300 12"	10	PN10	504	312	255	700	455	32	172	✓



EUROCHECK

Body:

Корпус:

Gövde:

Ductile Iron

Ковкий чугун

Duktil Demir

Coating:

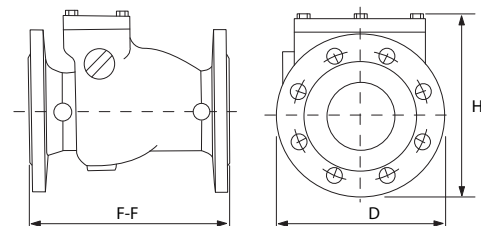
Покрытие:

Кaplama:

Epoxy Blue

Синяя эпокси-
дидная смола

Epoкси mavı



Model Eurocheck BS5153 • Flanged/На фланцах/Flanşlı PN16 • EPDM

Art. Nr.	DN	PN [Bar]	F-F mm	H mm	T °C	kg	WRC
NO403	80 3"	16	241	225	65	15	✓
NO369	100 4"	16	292	250	65	22	✓
NO374	150 6"	16	356	330	65	35	✓
NO379	200 8"	16	495	385	65	60	✓
NO384	250 10"	16	622	395	65	105	✓
NO389	300 12"	16	698	538	65	139	✓

Check Valves

R Обратные клапаны

T Çek Vanaları



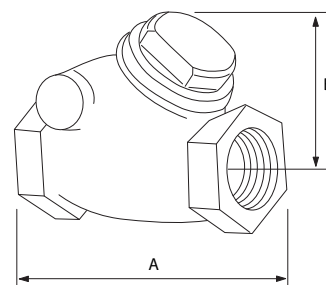
MODEL 62S

Body:
Корпус:
Gövde:


Bronze
Бронза
Bronz

Seat:
Седло
Yuva

Buna-N
Buna-N
Buna-N



Model 62S*

Art. Nr.	DN	PN (Bar)	A mm	B mm	 Kg	
62S00210D	15	1/2"NPT	27	67.5	38.9	0.4
62S00270D	20	3/4"NPT	27	78.6	47.6	0.6
62S00340D	25	1"NPT	27	89.7	53.2	0.8
62S00420D	32	1.1/4"NPT	27	130.2	92.1	2.6
62S00480D	40	1.1/2"NPT	27	130.2	92.1	2.6
62S00600D	50	2"NPT	27	141.3	115.9	4.5

*For horizontal installation only / Только для горизонтальной установки / Yalnızca yatay montaj için.



N5

Body:
Корпус:
Gövde:


Brass
Латунь
Pirinç

Seat:
Седло
Yuva

Buna-N
Buna-N
Buna-N

Suitable for Water, oil and air. Max. 100C

Model N5*

Art. Nr.	DN	PN Bar	Length Длина Uzunluk mm	 Kg	
N500210	15	1/2"BSP	16	47	0.2
N500270	20	3/4"BSP	16	54.5	0.3
N500340	25	1"BSP	16	64.5	0.5
N500420	32	1.1/4"BSP	12	75.5	0.6
N500480	40	1.1/2"BSP	12	83	0.7
N500600	50	2"BSP	12	98	1.0

*For vertical installation only / Только для вертикальной установки / Yalnızca dikey montaj için.
Both valves are NOT spring loaded / Оба клапана НЕ подпружинены / Hiç bir vana yay yüklü DEĞİLDİR.

Hydrants

Гидранты

Hidrantlar

Super Centurion with Straight Connection

Гидранты, Super Centurion с прямым соединением
Süper Centurion hidrantı, düz bağlantılı



P. 4.037

Super Centurion with Duck Foot

Super Centurion с фланцевым коленом с лапой
Dirsek bağlantılı Süper Centurion



P. 4.038

Hose Gate Valves Model A-373

Запорные клапаны шланга, модель A-373
Hortum köşe vanaları (itfaiye için), model A-373



P. 4.039

Hose Gate Valves CIM Model 70B

Запорные клапаны шланга CIM, модель 70B
Hortum köşe vanaları (itfaiye için), CIM model 70B



P. 4.040

Hydrant Model Saphir

Гидрант, модель Saphir
Hidrant, model Saphir



P. 4.041

Hydrant Model Emeraude CS

Гидрант, модель Emeraude CS
Hidrant, model Emeraude CS



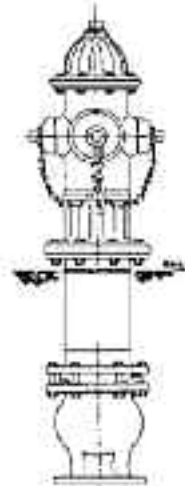
P. 4.042

Hydrants, Super Centurion with Straight Connection

- R** Гидранты, Super Centurion с прямым соединением
- T** Hidrantlar, Süper Centurion hidrantı, düz bağlantılı



SUPER CENTURION STRAIGHT



Art. Nr. A-311, 1.1/2" Pentagon

Model Super Centurion + Straight Conn./+ прямое соединение/düz bağlantılı									
Art. Nr.	Model	Shoe	2/3 Way	Hose nozzle	Pumper nozzle	Main Valve	Bury	FM	
	Model	Башмак Ayak	2/3-ходовой 2/3-yollu	Сопло шланга Hortum Nozulu "	Сопло пожарного насоса Storz nozulu "	Главный клапан Ana vana mm	Потрунный Gömme derinliği mm		
420-513664	A420	4"PN10	2	2x2.1/2	-	114	1067	170	
420-511536	A420	4"ANSI	2	2x2.1/2	-	114	1219	170	
421-511535	A421	6"ANSI	3	2x2.1/2	4.1/2	114	1219	180	✓

Max. 13.8 Bar [200 Psi] - 2-Way/2-ходовой/2- Yollu
Max. 17.2 Bar [250 Psi] - 3-Way/3-ходовой/3- Yollu

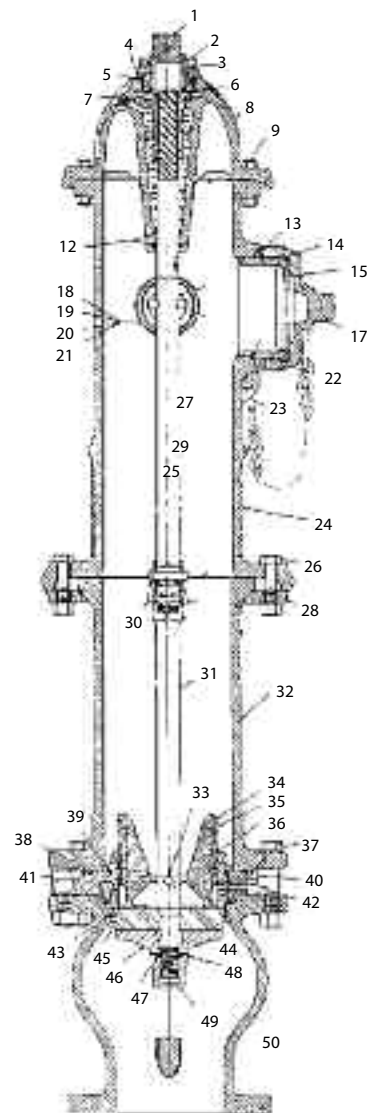
Order by specification.

Examples of art. nr with standard US outlets

Заказ по спецификации.
Примеры номеров позиций со стандартными американскими выводами

Tanımlamaya göre sipariş
Standart ABD çıkışları ve 4' gömmederinliği için örnek

Parts List/Список деталей/Parça Listesi		
Nr.	Description Описание Tanım	Material Материал Malzeme
1	Operating nut/Ходовая гайка/Kumanda somunu	Bronze/Бронза/Bronz
2	Wiper ring/Грязеъемное кольцо/Silme halkası	Rubber/Резина/Plastik
3	Hold down nut "O" ring/Плотнительное кольцо прижимной гайки/Tutucu somun O halkası	Rubber/Резина/Plastik
4	Hold down nut/Прижимная гайка/Tutucu somun	Bronze/Бронза/Bronz
5	Bonnet "O" ring/Плотнительное кольцо колпака/Bone O-ringi	Rubber/Резина/Plastik
6	Anti-friction washer/Антифрикционная шайба/Sürtünme önleyici rondelalar	Plastic/Пластик/Plastik
7	Oil filler plug/Пробка масляной горловины/Yağ dolum tapası	Brass/Латунь/Pirinç
8	Bonnet/Колпак/Başlık	Cast iron/Литейный чугун /Dökme Demir
9	Bonnet Bolts/Болты колпака/Başlık civataları	Steel/Сталь/Çelik
10	Bonnet Gasket/Прокладка колпака/Başlık contası	Rubber/Резина/Plastik
11	Upper stem/Верхний шток/Üst mil	Steel/Сталь/Çelik
12	Stem "O" rings/Плотнительные кольца штока/Mil O-ringi	Rubber/Резина/Plastik
13	Nozzle lock/Фиксатор сопла/Nozul kilidi	Stainless steel/Нержавеющая сталь/Paslanmaz Çelik
14	Pumper nozzle/Сопло пожарного насоса/Storz nozulu	Bronze/Бронза/Bronz
15	Pumper nozzle gasket/Прокладка сопла пожарного насоса/Storz nozulu contası	Rubber/Резина/Plastik
16	Pumper nozzle "O" ring/Плотнительное кольцо сопла пожарного насоса/Storz nozulu O halkası	Rubber/Резина/Plastik
17	Pumper nozzle cap/Крышка сопла пожарного насоса/Storz nozulu kapağı	Cast iron/Литейный чугун /Dökme Demir
18	Hose nozzle/Сопло шланга/Hortum nozulu	Bronze/Бронза/Bronz
19	Hose nozzle gasket/Прокладка сопла шланга/Hortum nozulu contası	Rubber/Резина/Plastik
20	Hose nozzle "O" ring/Плотнительное кольцо сопла шланга/Pompa nozulu O-ringi	Rubber/Резина/Plastik
21	Hose nozzle cap/Крышка сопла шланга/Hortum nozulu kapağı	Cast iron/Литейный чугун /Dökme Demir
22	Chains/Цепи/Zincirler	Steel/Сталь/Çelik
23	Chain connector hook/Крюк соединения цепи/Zincir bağlantı kancası	Steel/Сталь/Çelik
24	Upper barrel/Верхняя гильза/Gövde supérieur	Cast iron/Литейный чугун /Dökme Demir
25	Safety stem coupling/Муфта предохранительного штока/Emniyet mili kaplini	Steel/Сталь/Çelik
26	Safety flange bolt/Болт предохранительного фланца/Emniyet flanş civatası	Steel/Сталь/Çelik
27	Safety flange gasket/Прокладка предохранительного фланца/Emniyet flanş contası	Rubber/Резина/Plastik
28	Safety flange/Предохранительный фланец/Emniyet flanşı	Cast iron/Литейный чугун /Dökme Demir
29	Cotter pins/Шплинты/Kamali Pimler	Stainless steel/Нержавеющая сталь/Paslanmaz Çelik
30	Clevis pins/Шплинтуемый штифт/Kenet demiri pimi	Stainless steel/Нержавеющая сталь/Paslanmaz Çelik
31	Lower stem/Нижний шток/Alt mil	Steel/Сталь/Çelik
32	Lower barrel/Нижняя гильза/Alt teleskop boru	Cast iron/Литейный чугун /Dökme Demir
33	Stem pin/Штифт штока/Mil Pimi	Stainless steel/Нержавеющая сталь/Paslanmaz Çelik
34	Drain valve facing/Облицовка клапана слива/Drenaj vana contası	Plastic/Пластик/Plastik
35	Drain valve facing screw/Винт облицовки клапана слива/Drenaj vana conta vidası	Stainless steel/Нержавеющая сталь/Paslanmaz Çelik
36	Upper valve plate/Верхняя пластина клапана/Üst vana plakası	Bronze/Бронза/Bronz
37	Shoe bolt/Болт башмака/Ayak civatası	Steel/Сталь/Çelik
38	Drain ring housing gasket/Прокладка корпуса закованного дренажа/Drenaj halka contası	Rubber/Резина/Plastik
39	Top seat ring "O" ring/Плотнительное кольцо верхнего кольца седла/Üst yuva halkası, "O" halkası	Rubber/Резина/Plastik
40	Drain ring housing/Корпус закованного дренажа/Drenaj halka mahfazası	Cast iron/Литейный чугун /Dökme Demir
41	Drain ring housing bolt/Болт корпуса закованного дренажа/Drenaj halka mahfaza civatası	Steel/Сталь/Çelik
42	Drain ring/Закованный дренаж/Drenaj halkası	Bronze/Бронза/Bronz
43	Seat ring/Кольцо седла/Yuva Halkası	Bronze/Бронза/Bronz
44	Bottom seat ring "O" ring/Плотнительное кольцо нижнего кольца седла/Alt yuva halkası, "O" halkası	Rubber/Резина/Plastik
45	Main valve/Главный клапан/Ana vana	Rubber/Резина/Plastik
46	Lower valve plate/Нижняя пластина клапана/Alt vana plakası	Cast iron/Литейный чугун /Dökme Demir
47	Cap nut seal/Уплотнение гайки крышки/Tapa somunu contası	Rubber/Резина/Plastik
48	Lock washer/Стопорная шайба/Sabitleştirme rondelası	Stainless steel/Нержавеющая сталь/Paslanmaz Çelik
49	Cap nut/Гайка крышки/Karak somunu	Cast iron/Литейный чугун /Dökme Demir
50	Shoe/Башмак/Ayak	Cast iron/Литейный чугун /Dökme Demir

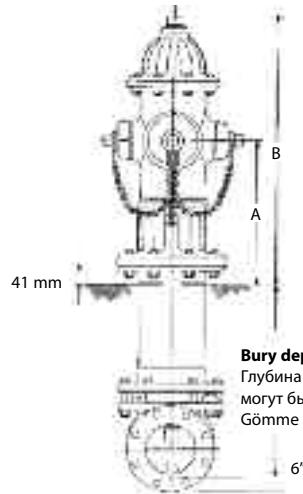


Hydrants, Super Centurion with Duck Foot

- R** Гидранты, Super Centurion с фланцевым коленом с лапой
- T** Hidrantlar, Dirsekli bağlantılı Süper Centurion



SUPER CENTURION DUCKFOOT



Art. Nr. A-311, 1.1/2" Pentagon

Bury depth of 1'6" minimum. Longer versions can be ordered in 6" intervals/
Глубина погружения, минимум, 1 фут 6 дюймов. Более длинные версии могут быть заказаны с шагом в 6 дюймов/
Gömme derinliği - asgari 1'-6" 6" aralıklarla uzatılabilen tipte sipariş edilebilir.

ANSI 125 Flanged/На фланцах ANSI 125/Flanşlı ANSI125-6"

Model Super Centurion + Duck Foot/+ Колено с лапой/+ Dirsekli bağlantı

Art. Nr.	Model Модель Model	2/3 Way 2/3 ходовой 2/3 yolu	Hose Valve/Nozzle Клапан/Сопло шланга Hortum Vanesi/Nozul	Pumper nozzle Сопло пожарного насоса Storz nozulu	Main Valve Главный клапан Ana vana	Bury Погружение Gömme derinliği	A	B	Ø Kg	UL	FM
433-508179	A433	2	nozzle	-	114	1219	451	794	180	✓	✓
421-500358	A421	3	nozzle	4.1/2	114	1219	451	794	185	✓	✓
435-504195	A435	2	nozzle	-	133	1219	438	784	180	✓	✓
423-500158	A423	3	nozzle	4.1/2	133	1219	438	784	185	✓	✓
433-519499	A433	2	valve A-373	-	114	1219	451	794	180	✓	✓
421-520731	A421	3	valve A-373	4.1/2	114	1219	451	794	185	✓	✓
435-519515	A435	2	valve A-373	-	133	1219	438	784	180	✓	✓
421-500357	A421	3	nozzle	4.1/2	114	1067	451	794	180	✓	✓

Max. 13.8 Bar [200 Psi] - 2-Way/2-ходовой/2- Yollu
Max. 17.2 Bar [250 Psi] - 3-Way/3-ходовой/3- Yollu

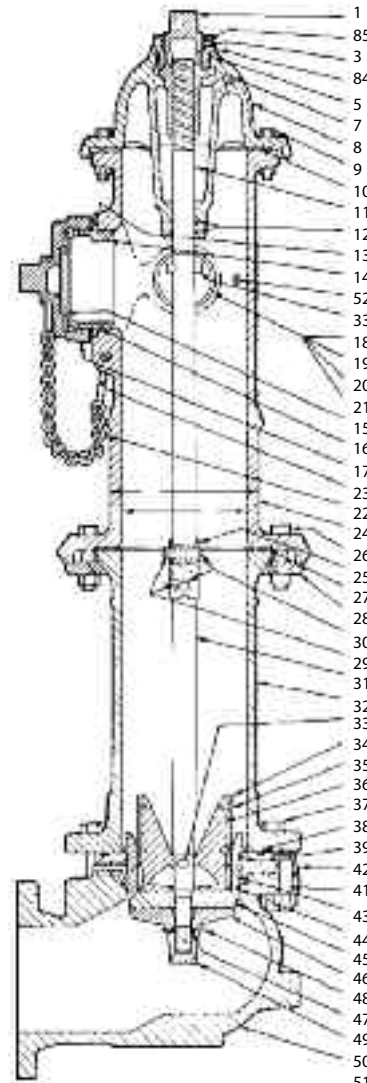
Order by specification.

Examples of art. nr with standard US outlets and 4' bury depth

Заказ по спецификации.
Примеры номеров позиций со стандартными американскими выводами и глубиной погружения 4 фута

Tanımlamaya göre sipariş
Standart ABD çıkışları ve 4' gömmederinliği için örnek

Nr.	Description Описание Tanım	Material Материал Malzeme
1	Operating nut/Ходовая гайка/Kumanda somunu	Bronze/Бронза/Bronz
2	Weather seal/Плотнение от атмосферных осадков/Karama Contası	Rubber/Резина/Plastik
3	Hold down nut "O" ring/Плотнительное кольцо прижимной гайки/ Tutucu somun O halkası	Rubber/Резина/Plastik
4	Hold down nut/Прижимная гайка/Tutucu somun	Bronze/Бронза/Bronz
5	Bonnet "O" ring/Плотнительное кольцо колпака/Bone O-ringi	Rubber/Резина/Plastik
7	Oil filler plug/Пробка маслосливной горловины/Yağ dolum tapası	Brass/Латунь/Pirinç
8	Bonnet/Колпак/Başlık	Cast Iron/Литейный чугун /Dökme Demir
9	Bonnet Bolts & nut/Болты и гайка колпака/Başlık civata ve somunları	Steel/Сталь/Çelik
10	Bonnet Gasket/Прокладка колпака/Başlık contası	Rubber/Резина/Plastik
11	Upper stem/Верхний шток/Üst mil	Steel/Сталь/Çelik
12	Stem "O" rings/Плотнительные кольца штока/Mil O-ringi	Rubber/Резина/Plastik
13	Nozzle lock/Фиксатор сопла/Nozul kilidi	Stainless steel/Нержавеющая сталь/Pasarmaz Çelik
14	Pumper nozzle/Сопло пожарного насоса/Storz nozulu	Bronze/Бронза/Bronz
15	Pumper nozzle gasket/Прокладка сопла пожарного насоса/Storz nozulu contası	Bronze/Бронза/Bronz
16	Pumper nozzle O-Ring/Прокладка сопла пожарного насоса/Storz nozulu O halkası	Rubber/Резина/Plastik
17	Pumper nozzle cap/Крышка сопла пожарного насоса/Storz nozulu kapağı	Rubber/Резина/Plastik
18	Hose nozzle/Сопло шланга/Hortum nozulu	Bronze/Бронза/Bronz
19	Hose nozzle gasket/Прокладка сопла шланга/Hortum nozulu contası	Rubber/Резина/Plastik
20	Hose nozzle "O" ring/Плотнительное кольцо сопла шланга/Pompa nozulu O halkası	Rubber/Резина/Plastik
21	Hose nozzle cap/Крышка сопла шланга/Hortum nozulu kapağı	Cast Iron/Литейный чугун /Dökme Demir
22	Chain/Lens/Zincirler	Steel/Сталь/Çelik
23	Chains connector ring/Цепианшлюbring/Zincir bağlantı kancası	Steel/Сталь/Çelik
24	Upper barrel/Верхняя гильза/Üst kısım	Cast Iron/Литейный чугун /Dökme Demir
26	Safety flange bolt & nut/Болт и гайка предохранительного фланца/Emniyet flanş civatası	Steel/Сталь/Çelik
25	Safety stem coupling/Муфта предохранительного штока/Emniyet mili kaplini	Steel/Сталь/Çelik
27	Safety flange gasket/Прокладка предохранительного фланца/Emniyet flanş contası	Rubber/Резина/Plastik
28	Safety flange/Предохранительный фланец/Emniyet flanşı	Cast Iron/Литейный чугун /Dökme Demir
30	Clevis pins/Шплингуемый штифт/Kenet demir pimi	Stainless steel/Нержавеющая сталь/Pasarmaz Çelik
29	Cotter pins/Шплинты/Kamal Pimler	Stainless steel/Нержавеющая сталь/Pasarmaz Çelik
31	Lower stem/Нижний шток/Alt mil	Steel/Сталь/Çelik
32	Lower barrel/Нижний шток/Alt teleskop boru	Cast Iron/Литейный чугун /Dökme Demir
33	Stem pin/Штифт штока/Mil Pimi	Stainless steel/Нержавеющая сталь/Pasarmaz Çelik
34	Drain valve facing/Облицовка клапана слива /Drenaj vana contası	Plastic/Пластик/Plastik
35	Drain valve facing screw/Винт облицовки клапана слива/Drenaj vana conta vidası	Stainless steel/Нержавеющая сталь/Pasarmaz Çelik
36	Upper valve plate/Верхняя пластина клапана/Üst vana plakası	Bronze/Бронза/Bronza
37	Shoe bolt & nut/Болт и гайка башмака/Ayak civatası	Steel/Сталь/Çelik
38	Drain ring gasket/Прокладка корпуса закольцованного дренажа/Drenaj halka contası	Rubber/Резина/Plastik
39	Top seat ring "O" ring/Плотнительное кольцо верхнего кольца седла/Üst yuva halkası, "O" halkası	Rubber/Резина/Plastik
42	Drain ring/Корпус закольцованного дренажа/Drenaj halkası	Bronze/Бронза/Bronza
41	Drain ring bolt & nut/Болт и гайка закольцованного дренажа/Drenaj halka mahfazası civatası	Steel/Сталь/Çelik
43	Seat ring/Кольцо седла/Yuva Halkası	Bronze/Бронза/Bronza
44	Bottom seat ring "O" ring/Плотнительное кольцо нижнего кольца седла/Alt yuva halkası, "O" halkası	Rubber/Резина/Plastik
45	Main valve/Главный клапан/Ana vana	Rubber/Резина/Plastik
46	Lower valve plate/Нижняя пластина клапана/Alt vana plakası	Cast Iron/Литейный чугун /Dökme Demir
48	Cap nut seal/Плотнение гайки крышки/Sabitleştirme rondelası	Rubber/Резина/Plastik
47	Lock washer/Стопорная шайба/Tara somunu contası	Stainless steel/Нержавеющая сталь/Pasarmaz Çelik
49	Cap nut/Гайка крышки/Kapak somunu	Cast Iron/Литейный чугун /Dökme Demir
50	Shoe/Башмак/Ayak	Cast Iron/Литейный чугун /Dökme Demir
51	Hydrant lubricating oil/Смазочное масло гидранта/Nemlendirici yağ	
52	Plug/Заглушка/Koruma tapası	

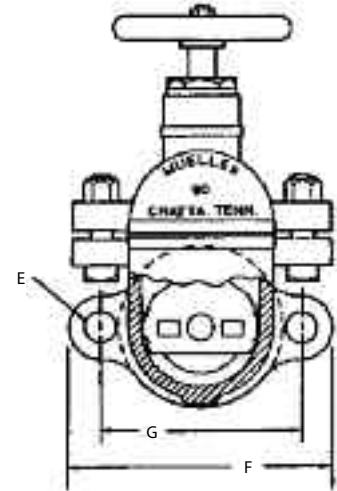
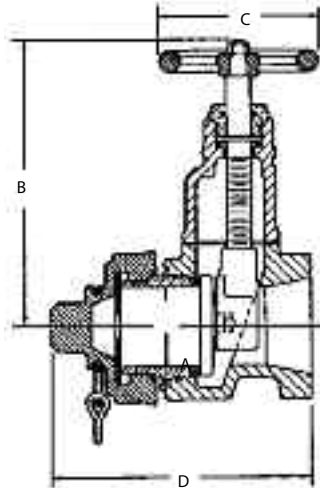


Hydrants, Hose Gate Valves

- R** Гидранты, задвижки для рукавов
- T** Hidrantlar, Köşe vanaları (itfaiye için)



MODEL A-373



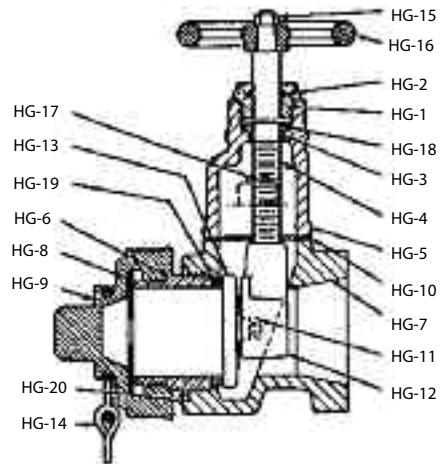
Model A-373 for Super Centurion Hydrants/для гидрантов Super Centurion/Süper Centurion Hidrantlar

Art. Nr.	DN	A	B	C	D	E	F	G	Kg	UL FM		
										mm	mm	mm
A37300765	65	2.1/2"NST	64	229	127	208	22	187	143	7.5	✓	✓

Max. 12.1 Bar [175 Psi]

Parts List/Список деталей/Parça Listesi

Nr.	Description Описание Tanım	Material Материал Malzeme
HG-1	Stuffing box/Сальниковая коробка/Dolgu gözü	Bronze/Бронза/Bronz
HG-2	"O" ring packing/Плотнительное кольцо сальника/O-ring takımı	Rubber/Резина/Plastik
HG-3	Bonnet bushing/Втулка колпака/Başlık kovani	Bronze/Бронза/Bronz
HG-4	Stem/Шток/Mil	Manganese bronze/Марганцевистая бронза/Manganezli i bronz
HG-5	Bonnet/Колпак/Başlık	Cast Iron/Литейный чугун/Dökme Demir
HG-6	Hose nozzle/Сопло шланга/Hortum nozulu	Bronze/Бронза/Bronz
HG-7	Body/Корпус/Gövde	Cast Iron/Литейный чугун/Dökme Demir
HG-8	Hose nozzle gasket/Прокладка сопла шланга/Hortum nozulu contası	Rubber/Резина/Plastik
HG-9	Hose nozzle cap/Крышка сопла рукава/Hortum nozulu kapağı	Cast Iron/Литейный чугун/Dökme Demir
HG-10	Bonnet gasket/Прокладка колпака/Başlık contası	Rubber/Резина/Plastik
HG-11	Cotter pin/Шплинт/Kamalı pim	Brass/Латунь/Pirinç
HG-12	Wedge nut/Гайка клина/Kama somunu	Bronze/Бронза/Bronz
HG-13	Disc/Диск/Disk	Bronze/Бронза/Bronz
HG-14	Chain/Цепь/Zincir	Steel/Сталь/Çelik
HG-15	Cap nut/Гайка крышки/Kapak somunu	Steel/Сталь/Çelik
HG-16	Handwheel/Ручной штурвал/Kumanda Çarkı	Ductile iron/Ковкий чугун/Duktül Demir
HG-17	Bonnet bolt/Болт колпака/Başlık civatası	Steel/Сталь/Çelik
HG-18	"O" ring/Плотнительное кольцо/O-ring	Rubber/Резина/Plastik
HG-19	Valve seat/Седло клапана/Vana yuvası	Rubber/Резина/Plastik
HG-20	Retaining rivet/Контровочная заклепка/Tutucu perçin	Copper/Медь/Bakır



Hydrants, Hose Gate Valves

- Гидранты, задвижки для рукавов
- Hidrantlar, Köşe vanaları (itfaiye için)



MODEL 70B

Body:
Корпус:
Gövde:

Brass
Латунь
Pirinç

Model CIM 70B including STORZ Coupling & Cap/включая муфту STORZ и крышку/STORZ Kaplin ve Kapak da dahil

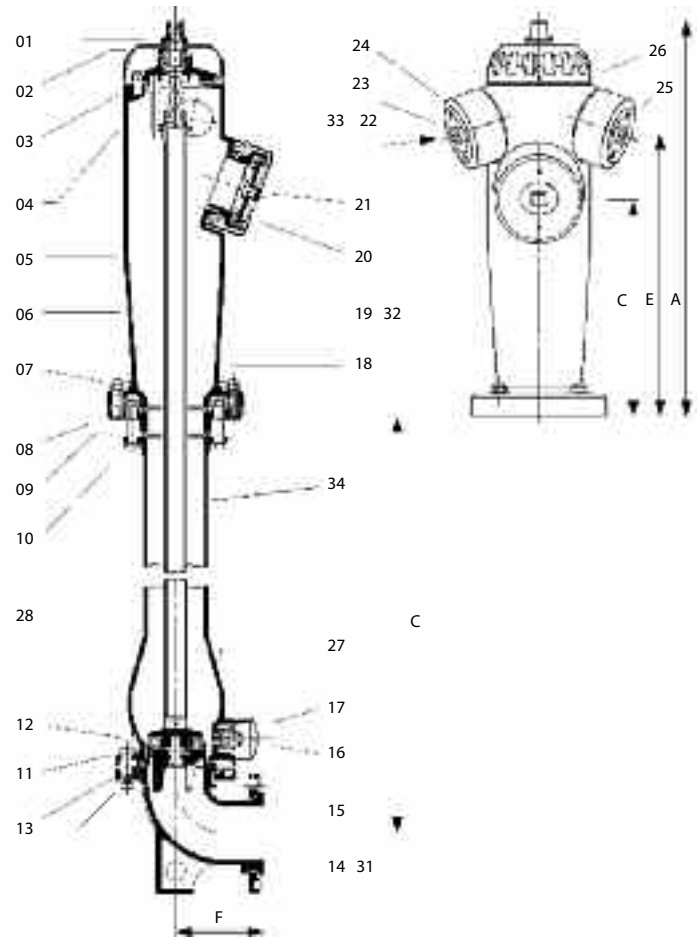
Art. Nr.	DN	PN [Bar]	Coupling Муфта Kaplin	Length Длина Uzunluk mm	Kg
70C00601	50 2"BSP	16	STORZ C [66mm]	72	2.4
70C00763	65 2.1/2"BSP	16	STORZ B [89 mm]	80	3.4

Hydrants

- R** Гидранты
- T** Hidrantlar



MODEL SAPHIR



Model Saphir/Модель Saphir/Model Saphir

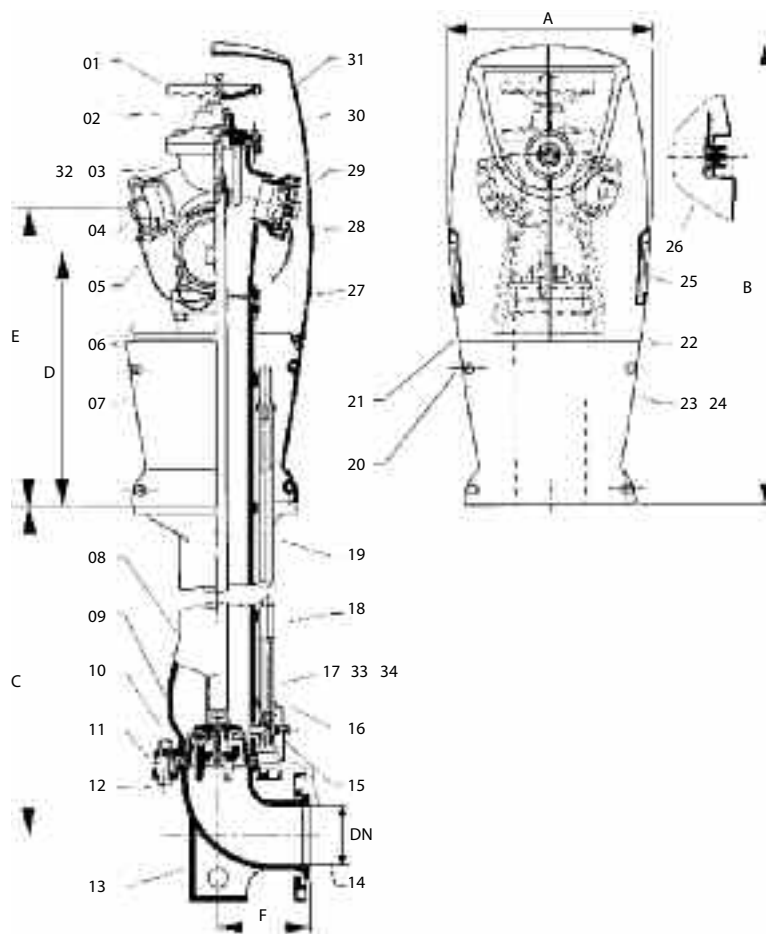
Art. Nr.	DN	Nom. Flow in m ³ /h Ном. Расход в м ³ /час Anma Akış hızı m ³ /s	Flanges Фланцы Flanşlar	Outlets Точки соединения Çıkışlar	Turns to open Поворачивается для открытия Dönerek açar	A	C	D	E	F	kg
						mm	mm	mm	mm	mm	
SAPH001	80	30	ISO	1 x 65 + 2 x 40	13	665	1000	430	480	135	66
SAPH002	100	60	ISO	1 x 100 + 2 x 65	13	770	1000	440	545	160	96
SAPH003	100 CHOC	60	ISO	1 x 100 + 2 x 65	13	750	1000	420	525	160	113
SAPH004	150CHOC	120	ISO	2 x 100 + 1 x 65	17	780	1000	420	550	195	182

Hydrants

- R** Гидранты
- T** Hidrantlar



MODEL EMERAUDE CS



Model Emeraude CS/Модель Emeraude CS/Model Emeraude CS

Art. Nr.	DN	Nom. Flow in m ³ /h Ном. Расход в м ³ /час Anma Akış hızı m ³ /s	Flanges Фланцы Flanşlar	Outlets Точки соединения Çıkışlar	Turns to open Поворачивается для открытия Dönerek açar	A	B	C	D	E	F	Kg
						mm	mm	mm	mm	mm	mm	
CS00890	80	30	ISO	1 x 65 + 2 x 40	13	350	800	1040	435	560	135	69
CS01140	100	60	ISO	1 x 100 + 2 x 65	13	350	800	1000	450	525	160	98
CS11140	100 CHOC	60	ISO	1 x 100 + 2 x 65	13	350	800	1000	450	525	160	114
CS01680	150CHOC	120	ISO	2 x 100 + 1 x 65	17	350	800	1000	450	525	195	146

Test Equipment

- Контрольное оборудование
- Test Donanımı

Test and Drain Valves Model 1000

Клапаны для испытаний и дренажа, модель 1000
Test ve Drenaj Vanaları, Model 1000



P. 4.044

Branch Line Tester Model A59

Тестовое устройство отводов, модель A59
Sprinkler boruları testi için bağlantı aksesuarları, model A59



P. 4.045

Test Kit for Sprinklers

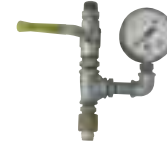
Испытательный комплект для спринклеров
Sprinklerler için test kiti



P. 4.046

Test Kit for Flow Switch

Испытательный комплект для реле расхода
Akış anahtarı için test kiti



P. 4.047

Sight Flow Connection Model BH-19

Муфта с индикацией потока, модель BH-19
Akış gözetleme camı bağlantısı, model BH-19



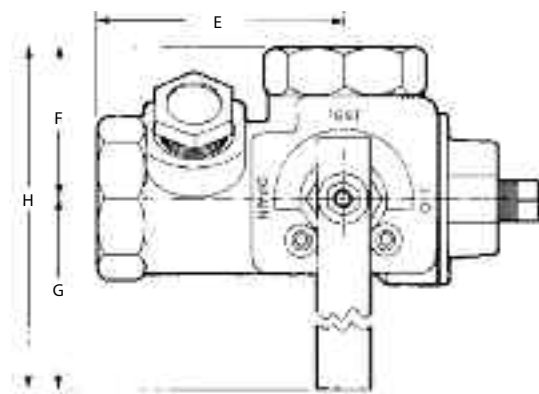
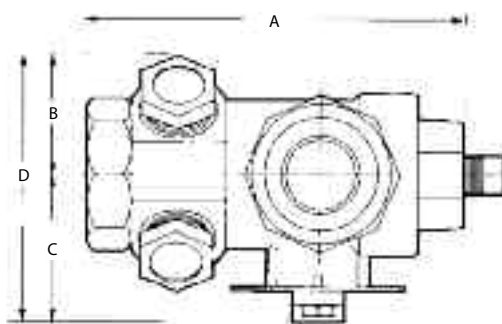
P. 4.048

Test Equipment, Test and Drain Valve

- R** Контрольное оборудование, клапаны для испытаний и дренажа, модель 1000
- T** Test Donatımı, Test ve Drenaj Vanası



MODEL 1000



Model 1000

Art. Nr. BSP	Art. Nr. NPT	DN	A mm	B mm	C mm	D mm	E mm	F mm	G mm	H mm	Wt. Kg	UL	FM
1000N027-	1000N027-	20 3/4"	129	45	60	105	86	45	116	160	2.0	✓	
1000B034-	1000B034-	25 1"	129	45	60	105	86	45	116	160	2.0	✓	✓
1000B042-	1000B042-	32 1.1/4"	138	45	73	117	84	49	140	189	2.5	✓	✓
1000B048-	1000B048-	40 1.1/2"	151	45	94	138	89	60	205	265	4.0	✓	✓
1000B060-	1000B060-	50 2"	151	45	94	138	89	60	205	265	4.0	✓	✓

Max. 21 Bar [300 Psi]

Suffix [-] Суффикс Son ek	Orifice Size Размер отверстия Orifis Boyutu	K
0	3/8"	40
1	7/16"	57
2	1/2"	80
3	17/32"	115
4	5/8"	160
5	3/4"	200/242*
*7	-	363

Suffix[-] for different k-factors [add to article number]:

Суффикс [-] для различных k-факторов [добавить к номеру позиции]:
Son eki farklı K faktörleri için ürün no.suna ekleyiniz.

* only available for 1.1/4" to 2" units

* доступно только для блоков от 1,1/4 дюйма до 2 дюймов

* sadece 1.1/4" ile 2" birimler için mevcuttur

Parts List/Список деталей/Parça Listesi

Description Описание Tanım	Material Материал Malzeme
Body/Ball / Корпус/Шар / Gövde/küre	Bronze/Бронза/Bronz
Handle/Indicator Plate / Ручка/Пластина индикатора / Kol/İndikatör/Plaka	Steel/Сталь/Çelik
Seat / Седло / Yuva	Impregnated Teflon/Импрегированный тефлон/Teflon emdirilmiş
Handle Lock / Фиксатор ручки / Kol kilidi	Springsteel/Пружинная сталь/Yay Çeligi
Sight Glass / Смотровое стекло / Pencere camı	Fused Tempered Glass/Закаленное стекло/Kaynaklı temperlenmiş cam

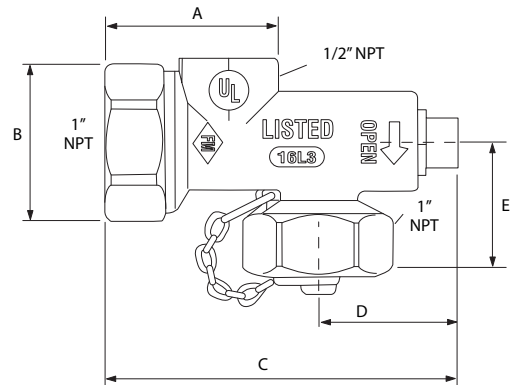
Test Equipment, Branch Line Tester

- Контрольное оборудование, тестер отводов
- Test ekipmanı, sprinkler boruları test cihazı



Body:
Корпус:
Gövde:

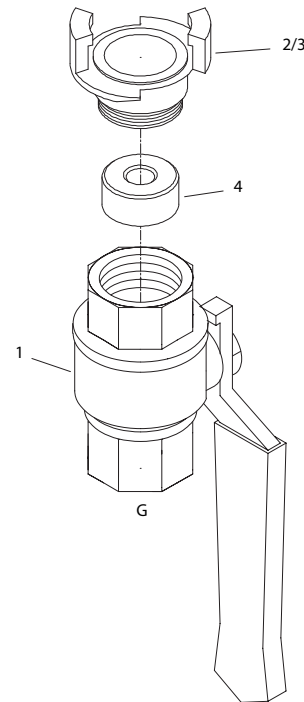
Brass
Латунь
Pirinç



Model A59										
Art. Nr.	DN	PN [Bar]	A mm	B mm	C mm	D mm	E mm	kg	UL	FM
A5900340	25	1"NPT	34	56	102	38	33	0.4	✓	✓

Test Equipment, Test Kit for Sprinklers

- R** Контрольное оборудование, испытательный комплект для спринклеров
T Test Ekipmanı, Sprinklerler için test kiti



Art. Nr. Without Blindcap Без глухой заглушки Kör tapasız	Art. Nr. With Blindcap С глухой заглушкой Kör tapalı	G	K
TK-K57	TK-K57-EC	1" BSP	57
TK-K80	TK-K80-EC	1" BSP	80
TK-K115	TK-K115-EC	1" BSP	115
TK-K160	TK-K160-EC	1" BSP	160
TK-K200	TK-K200-EC	1" BSP	200
TK-K245	TK-K245-EC	1" BSP	245
TK-K363	TK-K363-EC	1.1/2" BSP	363

Parts List/Список деталей/Parça Listesi

Nr.	Description Описание Tanım
1	Ball Valve Brass, Full Bore Model 1610 BSP Threaded Ends Size 1" PN30 kv=43/Латунный шаровой клапан, полнопроходной, модель T610 BSP, резьбовые концы, размер 1 дюйм PN30 kv=43/Pirinç küresel vana, tam geçişli model T610 BSP dişli uçlar, boy 1" PN30 kv=43
2	Coupling GEKA 1" Male Brass/Муфта GEKA, наружная резьба 1 дюйм, латунь/Kaplin GEKA 1" erkek, pirinç
3	Blind Cap for Coupling GEKA 1" Male Brass/Глухая крышка для муфты GEKA, наружная резьба 1 дюйм, латунь/Kör tapa GEKA 1" erkek kaplin için, pirinç
4	Orifice Ring for Test Kit K-57, Brass OD = 30 mm ID = 9.5 mm/Кольцевая гильза для тестового комплекта K-57, латунь, внеш. диам.= 30 мм, внутр. диам. = 9,5 мм/Test kit K-57 için orifis halkası, pirinç OD = 30 mm ID = 9.5 mm
4	Orifice Ring for Test Kit K-80, Brass OD = 30 mm ID = 11.2 mm/Кольцевая гильза для тестового комплекта K-80, латунь, внеш. диам.= 30 мм, внутр. диам. = 11,2 мм/Test kit K-80 için orifis halkası, pirinç OD = 30 mm ID = 11.2 mm
4	Orifice Ring for Test Kit K-115, Brass OD = 30 mm ID = 13.4 mm/Кольцевая гильза для тестового комплекта K-115, латунь, внеш. диам.= 30 мм, внутр. диам. = 13,4 мм/Test kit K-115 için orifis halkası, pirinç OD = 30 mm ID = 13.4 mm
4	Orifice Ring for Test Kit K-160, Brass OD = 30 mm ID = 15.9 mm/Кольцевая гильза для тестового комплекта K-160, латунь, внеш. диам.= 30 мм, внутр. диам. = 15,9 мм/Test kit K-160 için orifis halkası, pirinç OD = 30 mm ID = 15.9 mm
4	Orifice Ring for Test Kit K-200, Brass OD = 30 mm ID = 17.8 mm/Кольцевая гильза для тестового комплекта K-200, латунь, внеш. диам.= 30 мм, внутр. диам. = 17,8 мм/Test kit K-160 için orifis halkası, pirinç OD = 30 mm ID = 17.8 mm
4	Orifice Ring for Test Kit K-245, Brass OD = 30 mm ID = 19.8 mm/Кольцевая гильза для тестового комплекта K-245, латунь, внеш. диам.= 30 мм, внутр. диам. = 19,8 мм/200Test kit K-160 için orifis halkası, pirinç OD = 30 mm ID = 19.8 mm
4	Orifice Ring for Test Kit K-363, Brass OD = 43 mm ID = 25 mm/Кольцевая гильза для тестового комплекта K-363, латунь, внеш. диам.= 43 мм, внутр. диам. = 25 мм/200Test kit K-363 için orifis halkası, pirinç OD = 43 mm ID = 25 mm

Test Equipment, Test Kit for Flow Switch

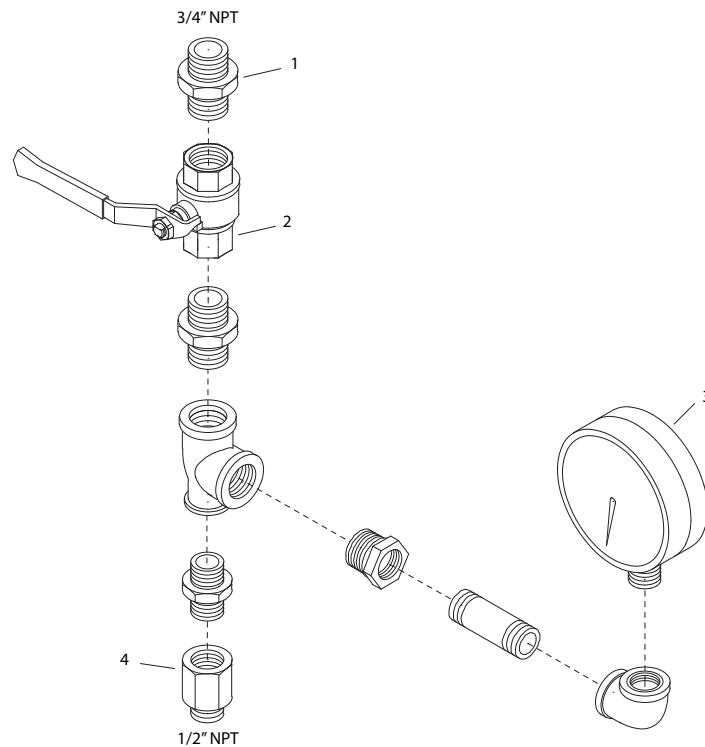
- R** Контрольное оборудование, испытательный комплект для реле расхода
- T** Test Ekipmanı, akış anahtarı için test kiti



TEST KIT FLOW SWITCH

Test Kit/Испытательный комплект/Test Kiti

Art. Nr.	K	VDS
PESM027AGR	30	✓
PESM027CGR	57	✓
PESM027DGR	80	✓
PESM027EGR	115	✓

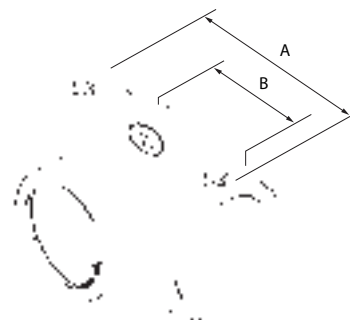


Parts List/Список деталей/Parça Listesi

Nr.	Description Описание Tanım
1	Close Nipple, Fig. 280 Galvanized 3/4" Штуцер закрытия, Рис. 280 оцинкованный 3/4 дюйма/Çift nipelli, no. 280, galvanize 3/4"
2	Ball Valve Brass, Full Bore Model 1610 BSP Threaded Ends Size 3/4" PN30 kv=29.5/Латунный шаровый клапан, полнопроходной, модель 1610 BSP, резьбовые концы, размер 3/4 дюйма PN30 kv=29.5/Pirinç küresel vana, tam geçişli model 1610 BSP dişli uçlar, boy 3/4" PN30 kv=29.5
3	Pressure Gauge Type 111.10.100 0-16 Bar 1/2" ISO RC Thread conform DIM, Class 1.6 100 mm/Манометр, тип 111.10.100 0-16 бар, 1/2 дюйма ISO RC Резьба соответствует DIM, Класс 1.6 100 мм/Manometreli tip 111.10.100 0-16 bar 1/2" ISO RC yivi, DIM standardına uygun, Class 1.6 100 mm
4	Nipple 1/2" M/F Orifice 7.1 mm Brass [PESM027AGR]/Штуцер 1/2 дюйма, наружная/внутренняя резьба, отверстие 7,1 мм, латунь [PESM027AGR]/Nipel 1/2" E/D, 7,1 mm orifis, pirinç [PESM027AGR]
4	Nipple 1/2" M/F Orifice 9.5 mm Brass [PESM027CGR]/Штуцер 1/2 дюйма, наружная/внутренняя резьба, отверстие 9,5 мм, латунь [PESM027CGR]/Nipel 1/2" E/D, 9,5 mm orifis, pirinç [PESM027CGR]
4	Nipple 1/2" M/F Orifice 11.2 mm Brass [PESM027DGR]/Штуцер 1/2 дюйма, наружная/внутренняя резьба, отверстие 11,2 мм, латунь [PESM027DGR]/Nipel 1/2" E/D, 11,2 mm orifis, pirinç [PESM027DGR]
4	Nipple 1/2" M/F Orifice 13.4 mm Brass [PESM027EGR]/Штуцер 1/2 дюйма, наружная/внутренняя резьба, отверстие 13,4 мм, латунь [PESM027EGR]/Nipel 1/2" E/D, 13,4 mm orifis, pirinç [PESM027EGR]

Test Equipment, Sight Flow Connection

- Контрольное оборудование, муфта с индикацией потока
- Test ekipmanı, akış penceresi bağlantısı



Model BH-19

Art. Nr.	DN	PN [Bar]	A mm	B mm	Ⓞ Kg
BH0025	25 1" ISO	12.1	82	51	0.3
BH0025N	25 1" NPT	12.1	82	51	0.3
BH0050	50 2" ISO	12.1	85	51	0.5
BH0050N	50 2" NPT	12.1	85	51	0.5

Strainers

R Филтры

T Pislik Tutucular

WYE Strainer Model 760

Фильтр WYE, модель 760

Çatal tipi pislik tutucu, model 760



P. 4.050

Model 911

Модель 911

Model 911



P. 4.051

Model F

Модель F

Model F



P. 4.051

AQUAMIST Model 807

AQUAMIST, модель 807

AQUAMIST Model 807



P. 4.052

Model 74A

Модель 74A

Model 74A



P. 4.053

Model 557

Модель 557

Model 557



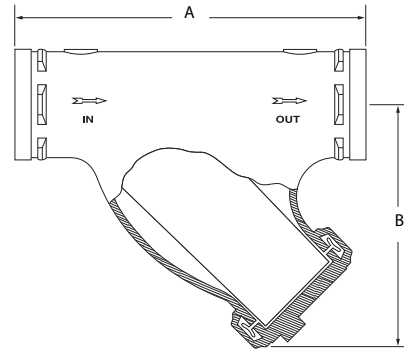
P. 4.053

Strainers, WYE Strainer

- R** Фильтры, фильтр WYE
- T** Pislik tutucuları, çatal tipi pislik tutucuları



MODEL 760



Model 760

Art. Nr. Painted Окрашено Boyalı	Art. Nr. Galvanized Оцинковано Galvanize	DN	OD	PN Max.	A	B	Drain Plug Size Размер сливной пробки Drenaj Tapağı Boyutu		
			mm	Bar [Psi]	mm	mm	"NPT	Kg	
760F000601	760F000602	50	2"	60.3	20.7 [300]	248.0	192.0	1/2	4.5
760F000761	760F000762	65	2.1/2"	76.1	20.7 [300]	173.0	211.0	1/2	5.9
760F000891	760F000892	80	3"	88.9	20.7 [300]	299.0	231.0	1	8.2
760F001141	760F001142	100	4"	114.3	20.7 [300]	362.0	281.0	1	12.7
760F001681	760F001682	150	6"	168.3	20.7 [300]	470.0	367.0	1.1/2	31.8
760F002191	760F002192	200	8"	219.1	20.7 [300]	610.0	467.0	1.1/2	52.3
760F002731	760F002732	250	10"	273.0	20.7 [300]	686.0	559.0	1.1/2	90.0
760F003241	760F003242	300	12"	323.9	20.7 [300]	762.0	629.0	1.1/2	120.0

*Maximum working pressure is based upon the performance capability of the Grinnell WYE-Strainer. Maximum system working pressure is dependant upon the rigid couplings used for installation and the pressure capacity of the system components.

*Максимальное рабочее давление основано на эксплуатационных параметрах фильтра Grinnell WYE. Максимальное рабочее давление системы зависит от жестких муфт, используемых для установки, и расчетного давления компонентов системы.

*Azami çalışma basıncı Grinnell çatal tipi süzgecin performansına bağlıdır. Sistemin azami çalışır basıncı, kurulurken kullanılan sabit kaplinlerin ve sistemin diğer öğelerinin basınca dayanıklılığına bağlıdır.

Strainers, Flanged

R Фильтры, фланцевые

T Süzgeçler, Flanşlı



MODEL 911

Body: Cast Iron ASTM A126

Корпус: Литейный чугун ASTM A126

Gövde: Dökme Demir ASTM A-126

Material: Inox 304

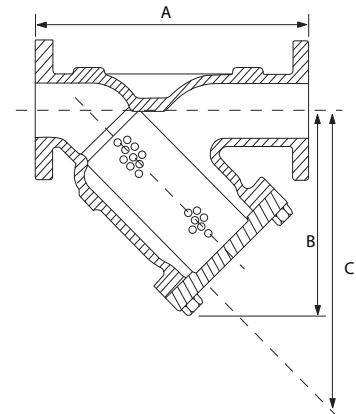
Материал: Нержавеющая сталь 304

Malzeme: Inox 304

Mesh dimension 0.25 mm

Размер сетки 0,25 мм

Tel örgü 0.25 mm



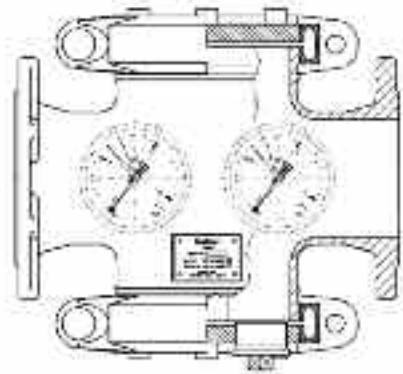
Model 911 ANSI 125 Flanged/На фланцах ANSI 125/Flanşlar ANSI125

Art. Nr.	DN	PN [Bar]	A mm	B mm	C mm	Pf Bar	⊘ Kg	U
91100765	65 2.1/2"	12.1	356	200	356	0.16	27	✓
91100895	80 3"	12.1	375	208	381	0.23	29	✓
91101145	100 4"	12.1	444	318	457	0.22	56	✓
91101415	125 5"	12.1	502	276	520	0.25	77	✓
91101685	150 6"	12.1	549	298	559	0.25	95	✓
91102195	200 8"	12.1	660	398	762	0.12	162	✓
91102735	250 10"	12.1	787	467	902	0.23	275	✓
91103245	300 12"	12.1	946	552	1080	0.19	470	✓

* PN10/16 Flanges on request

* PN10/16 Фланцы по запросу

* Talep üzerine PN10/16 Flanşlar



Body: Cast Iron GGG50

Корпус: Литейный чугун GGG50

Gövde: Dökme Demir GGG50

Art. Nr. Without Gauges Без манометров Ölçersiz	Art. Nr. Gauges Манометры Ölçerli	DN	PN [Bar]	A mm	H1 mm	H2 mm	⊘ Kg	VDS
840653	126303	80	16	310	165	115	19	✓
840654	126303	100	16	350	160	150	30	✓
840655	126303	150	16	450	260	170	57	✓
841088	126303	200	10	550	355	195	95	✓

Art. Nr. Without Gauges Без манометров Ölçersiz	Plug
195524	2pcs.

Plugs needed when gauges are not ordered / Пробки требуются в случае, если манометры не заказываются / Ölçüm cihazları sipariş edilmediğinde tapalar gereklidir

Strainers, AQUAMIST

● Р Фильтры, AQUAMIST

● T Pislik Tutucular, AQUAMIST



MODEL 807

Body:
Корпус:
Gövde:

Gunmetal
Латунь
Topmetal

Screen:

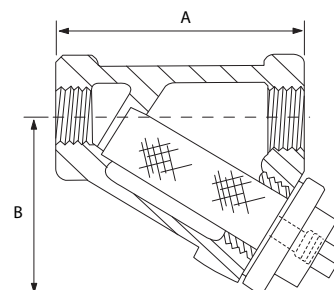
Stainless Steel 304,
0.75 mm

Экран:

Нержавеющая сталь 304,
0,75 mm

Ekran:

Paslanmaz Çelik 304
0,75 mm



Model 807

Art. Nr.	DN	PN [Bar]	A mm	B mm	Cv	Kv	⊙ Kg	
8070347	25	1" BSP	32	95	89	17.5	15.1	0.9
8070427	32	1.1/4" BSP	32	115	97	30.6	26.4	1.5
8070487	40	1.1/2" BSP	32	130	116	37.0	31.9	1.8
8070607	50	2" BSP	32	153	159	60.9	52.5	3.3

Strainers

R Филтры

T Pislik Tutucular



MODEL 74A

Body:
Корпус:
Gövde:

Bronze
Бронза
Bronz

Screen:

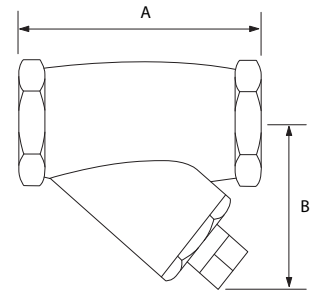
**Stainless Steel 304,
0.65 mm**

Экран:

Нержавеющая сталь 304,
0,65 мм

Ekran:

Paslanmaz Çelik 304,
0.65 mm



Model 74A						
Art. Nr.	DN	PN	A	B		
		[Bar]	mm	mm		Kg
305003	15	1/2"BSP	20	59	40	0.23
305004	20	3/4"BSP	20	66	46	0.5
305005	25	1"BSP	20	76	58	1.0
305006	32	1.1/4"BSP	20	92	70	1.2
305007	40	1.1/2"BSP	20	100	80	2.0
305009	50	2"BSP	20	125	100	2.5



MODEL 557

Body:
Корпус:
Gövde:

Bronze
Бронза
Bronz

Screen:

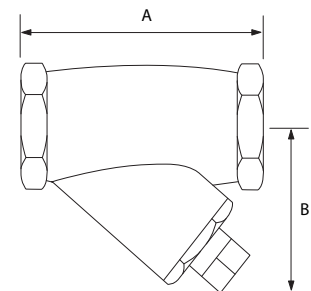
**Stainless Steel 304,
50 mesh**

Экран:

Нержавеющая сталь 304,
50 меш

Ekran:

Paslanmaz Çelik 304,
50 göz aralığı



Model 557						
Art. Nr.	DN	PN	A	B		
		[Bar]	mm	mm		Kg
20005025	15	1/2"NPT	12	74.7	50.8	0.4

Pressure Relief Valves

Ⓜ Предохранительные клапаны

Ⓜ Basınç Tahliye Vanaları

Model RV-1

Модель RV-1

Model RV-1



P. 4.055

Pressure Relief Valves Model 7000

Предохранительные клапаны, модель 7000

Basınç tahliye vanaları, model 7000



P. 4.056

Pressure Relief Valves Model 55L

Предохранительные клапаны, модель 55L

Basınç tahliye vanaları, model 55L



P. 4.056

Pressure Relief Valves

- R** Предохранительные клапаны
- T** Basınç Tahliye Vanaları



RV-1



TFP1585

Body/Cover:
Корпус/Крышка:
Gövde/Kapak:

Ductile Iron / Internal Enamel coating
Ковкий чугун / С внутренним покрытием эмалью
Duktil Demir / İç Emaye kaplama

Diaphragm:
Диафрагма:
Diyafram:

Internal Enamel Coating
Внутреннее покрытие эмалью
İç Emaye Kaplama

Pilot:
Пусковой:
Pilot:

Natural Rubber/Nylon fabric
Натуральный каучук/Нейлоновая ткань
Doğal Kauçuk / Nylon kumaş

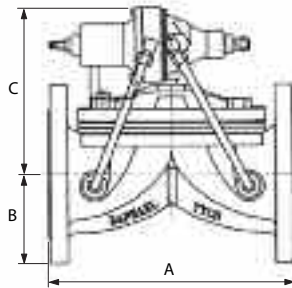
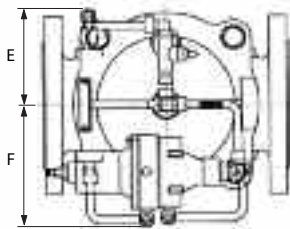
Pilot Trim:
Комплект управления:
Pilot Trim:

Cast Bronze
Литая бронза
Dökme Bronz

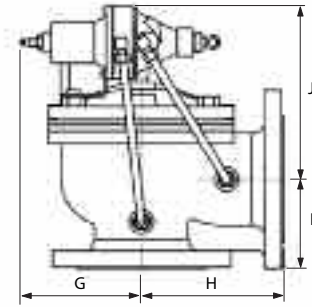
Tubing:
Трубки:
Boru:

Stainless Steel
Нержавеющая сталь
Paslanmaz Çelik

Stainless Steel
Нержавеющая сталь
Paslanmaz Çelik



RV-1 GLOBE



RV-1 ANGLE

Model RV-1 GLOBE

Art. Nr.	DN	PN [Bar]	Pressure Adjustment Range Диапазон регулирования давления Basınç ayarlama aralığı	Flanges Фланцы Flanşlar	A mm	B mm	C mm	E mm	F mm	Ø Kg	UL	FM	
525728010	50	2"	16	2-16 Bar	ANSI 125	190	80	210	120	165	10.5	✓	✓
525728022	80	3"	16	2-16 Bar	ANSI 125	285	100	220	150	190	21.2	✓	✓
525728023	100	4"	16	2-16 Bar	ANSI 125	305	115	240	165	195	29.1	✓	✓
525728026	200	8"	16	2-16 Bar	ANSI 125	470	155	290	170	280	75.3	✓	✓
525728130	50	2"	16	2-16 Bar	PN10/16	190	80	210	120	165	10.5	✓	✓
525728112	80	3"	16	2-16 Bar	PN10/16	285	100	220	150	190	21.2	✓	✓
525728113	100	4"	16	2-16 Bar	PN10/16	305	115	240	165	195	29.1	✓	✓
525728115	150	6"	16	2-16 Bar	PN16	410	145	265	130	240	53.5	✓	✓
525728126	200	8"	16	2-16 Bar	PN16	470	155	290	170	280	75.3	✓	✓

RV-1 ANGLE

Art. Nr.	DN	PN [Bar]	Pressure Adjustment Range Диапазон регулирования давления Basınç ayarlama aralığı	Flanges/Threads Фланцы/На резьбе Flanşlar/YIVLER	G mm	H mm	I mm	J mm	E mm	F mm	Ø Kg	UL	FM	
525738160	50	2"	16	2-16 Bar	BSP	140	85	80	215	150	155	7.6	✓	✓
525738060	50	2"	16	2-16 Bar	NPT	140	85	80	215	150	155	7.6	✓	✓
525738022	80	3"	16	2-16 Bar	ANSI 125	155	155	110	240	120	190	29.2	✓	✓
525738023	100	4"	16	2-16 Bar	ANSI 125	155	165	115	270	140	200	30.0	✓	✓
525738112	80	3"	16	2-16 Bar	PN10/16	155	155	110	240	120	190	29.2	✓	✓
525738113	100	4"	16	2-16 Bar	PN10/16	155	165	115	270	140	200	30.0	✓	✓
525738115	150	6"	16	2-16 Bar	PN16	115	200	150	295	155	240	53.5	✓	✓
525738126	200	8"	16	2-16 Bar	PN16	150	220	170	310	215	285	76.2	✓	✓

* Other [unapproved] dimensions [1.1/2"-12" PN16] available on request
* Другие [неутвержденные] размеры [1,1/2 дюйма-12 дюймов PN16] доступны по запросу
* Diğer [onaysız] ebatlar [1.1/2"-12" PN16] özel sipariş üzerine sunulmaktadır

For vertical or horizontal installation/ Для вертикальной или горизонтальной установки/ Dikey veya yatay montaj için

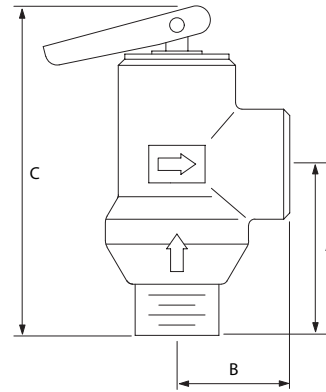
Pressure Relief Valves, Threaded

- R Предохранительные клапаны, резьбовые
- T Basınç Tahliye Vanaları, Dişli



Body:
Корпус:
Gövde:

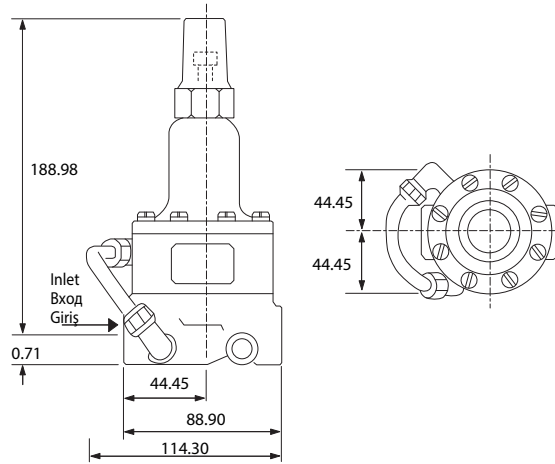
Bronze
Бронза
Bronz



MODEL 7000

Model 7000

Art. Nr.	DN	PN [Bar]	Pset [Bar]	A mm	B mm	C mm	kg	UL	FM
70000021	15 1/2"NPT	12.1	12.1	44.0	25.0	82.8	0.25	✓	✓



MODEL 55L

Model 55L

Art. Nr.	DN	PN [Bar]	ΔP [Bar]	Material Материал Malzeme	CV	F L/Min@12 Bar	kg	APSD	UL	FM
55L00210	15 1/2"NPT	27.6	1.4-14.0	Bronze	6	300	2.5	-	✓	✓
55FKX210	15 1/2"NPT	27.6	1.4-14.0	SS-303	6	300	2.5	✓	-	-
55F00270	20 3/4"NPT	27.6	1.4-14.0	Bronze	8.5	425	2.5	-	-	-
55L00270	20 3/4"NPT	27.6	1.4-14.0	Bronze	8.5	425	2.5	-	✓	✓
55FKX270	20 3/4"NPT	27.6	1.4-14.0	SS-303	8.5	425	2.5	✓	-	-

Pressure Reducing Valves

Ⓜ Редукционные клапаны

Ⓜ Basınç Düşürücü Vanalar

Model A201 & A203

Модель A201 и A203

Model A201 & A203



P. 4.058

Model A202 & A204

Модель A202 и A204

Model A202 & A2034



P. 4.058

Model Monostab A

Модель Monostab A

Model Monostab A



P. 4.059

Model PRV-1

Модель PRV-1

Model PRV-1



P. 4.060

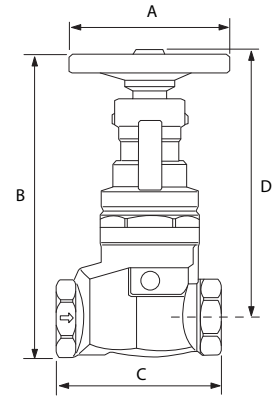
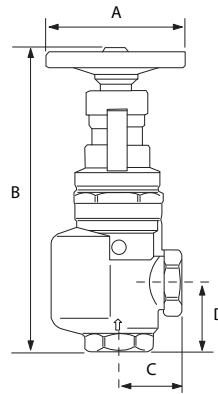
Pressure Reducing Valves

- R** Редукционные клапаны
- T** Basınç Düşürücü Vanalar



A201 & A203

Body: Bronze
Корпус: Бронза
Gövde: Bronz



Model A201 Angle & A203 Globe Type with Internal Check Valve/Модель A201 углового и A203 сферического типа с внутренним обратным клапаном/Model A201 Dirsek & A203 küre tip entegre çek vanası ile

Art. Nr.	Inlet Conn. Female Подключение ввода с внутренней резьбой Giriş bağlantısı dişi	Outlet Conn. Female Подключение вывода с внутренней резьбой Çıkış bağlantısı dişi	Orientation Направление Yön	A mm ["]	B mm ["]	C mm ["]	D mm ["]	Weight Kg	Symbol
A20100760	2.1/2 NPT	2.1/2 NPT	Angle/Углового типа/Dirsek	200 [7.7/8]	453 [17.17/32]	87 [3.13/32]	95 [3.3/4]	14	✓
A20300760	2.1/2 NPT	2.1/2 NPT	Globe/Сферического типа/Küre tip	200 [7.7/8]	405 [15.15/18]	203 [8]	373 [14.11/16]	14	✓

Max. Pressure 27 Bar [400 Psi]
 Static Outlet Pressure adjustable 4-12 Bar [60-175 Psi]

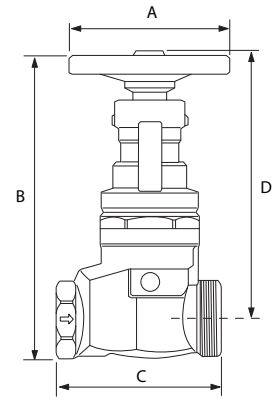
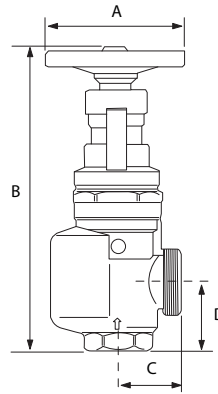
Макс. давление 27 бар [400 фунтов на кв. дюйм]
 Статическое давление выхода регулируется в пределах 4-12 бар [60-175 фунтов на кв. дюйм]

Pression maxi 27 bar [400psi]
 Pression statique de sortie ajustable 4-12bar [60-175 psi]



A202 & A204

Body: Bronze
Корпус: Бронза
Gövde: Bronz



Model A202 Angle & A204 Globe Type with Internal Check Valve/Модель A202 углового и A204 сферического типа с внутренним обратным клапаном/Model A202 Dirsek & A204 küre tip entegre çek vanası ile

Art. Nr.	Inlet Conn. Female Подключение ввода с внутренней резьбой Giriş bağlantısı dişi	Outlet Conn. Male Подключение вывода с внешней резьбой Çıkış bağlantısı erkek	Orientation Направление: Yön	A mm ["]	B mm ["]	C mm ["]	D mm ["]	Weight Kg	Symbol
A20200760	2.1/2 NPT	2.1/2 NST	Angle/Углового типа/Dirsek	200 [7.7/8]	453 [17.17/32]	87 [3.13/32]	95 [3.3/4]	14	✓
A20400760	2.1/2 NPT	2.1/2 NST	Globe/Сферического типа/Küre tip	200 [7.7/8]	405 [15.15/18]	203 [8]	373 [14.11/16]	14	✓

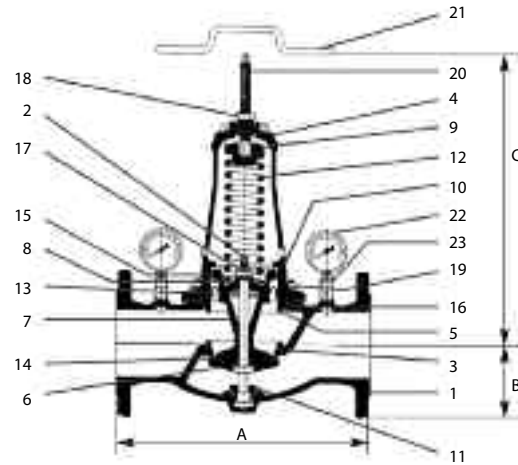
Max. Pressure 27 Bar [400 Psi]
 Static Outlet Pressure adjustable 4-12 Bar [60-175 Psi]

Макс. давление 27 бар [400 фунтов на кв. дюйм]
 Статическое давление выхода регулируется в пределах 4-12 бар [60-175 фунтов на кв. дюйм]

Azami basınç 27 bar [400psi]
 Çıkış sabit basınç 4-12 bar [60-175psi] arası ayarlanır.

Pressure Reducing Valves

- R** Редукционные клапаны
- T** Basınç Düşürücü Vanalar



Model MONOSTAB A direct action/Модель MONOSTAB A прямого действия/Model MONOSTAB A mekanik ayarlamalı

Art. Nr. Mod. A	Art. Nr. Mod. B	DN	Flanges* Фланцы* Flanşlar*	Adjustment downstream pressure A Bar Регулирование давления на выходе А бар Ayarlama aşağı akım basıncı A Bar	Adjustment downstream pressure B Bar Регулирование давления на выходе В бар Ayarlama aşağı akım basıncı B Bar	A mm	B mm	C mm	kg	
A00608	B00608	40/50	1.1/2"/2"	ISO PN10/16	1.5 - 6	5 - 12	230	86	430	18
A00768	B00768	65	2.1/2"	ISO PN10/16	1.5 - 6	5 - 12	290	100	420	22
A00898	B00898	80	3"	ISO PN10/16	1.5 - 6	5 - 12	310	112	450	25
A01148	B01148	100	4"	ISO PN10/16	1.5 - 6	5 - 12	350	112	450	31
A01398	B01398	125	5"	ISO PN10/16	1.5 - 6	5 - 12	400	145	550	60
A01688	B01688	150	6"	ISO PN10/16	1.5 - 6	5 - 12	480	145	550	66
A02198	B02198	200	8"	ISO PN10	1.5 - 6	5 - 12	600	185	940	120

* Model PN25 and PN40 on request/
* Модель PN25 и PN40 по запросу/
* version PN25 et PN40 sur demande

Parts List/Список деталей/Parça Listesi

Nr.	Description Описание Tanım	Material Материал Malzeme	Nr.	Description Описание Tanım	Material Материал Malzeme
1	Body/Корпус/Gövde	FGS/EN-GJS-405-10	13	Membrane/Мембрана/Zar	Chloroprene reinforced/Усиленный хлоропрен/Güçlendirilmiş Kloropren
2	Stem/Шток/Mil	SS Innox/Нержавеющая сталь/Paslanmaz çelik	14	Clapper/Клапан/Karak	PUR
3	Seat/Седло/Yuva	Cupro aluminium CuAl9Ni3Fe2	15	Guide/Направляющая/Ayar kolu	PEHD
4	Cover/Крышка/Karak	FGS/EN-GJS-405-10	16	O-ring lower cylinder/Уплотнительное кольцо нижнего цилиндра/O-ring i alt silindir	EPDM
5	Lower piston/Нижний поршень/Alt piston	Ductile iron/Ковкий чугун/Düktül Demir	17	Locking nut/Стопорная гайка/Bijon	SS inox A2/Нержавеющая сталь SS A2/Paslanmaz çelik A2
6	Clapper support/Опора клапана/Karak desteği	Ductile iron/Ковкий чугун/Düktül Demir	18	Nut/Гайка/Somun	SS inox A2/Нержавеющая сталь SS A2/Paslanmaz çelik A2
7	Clapper nut/Гайка клапана/Karak somunu	Ductile iron/Ковкий чугун/Düktül Demir	19	Cover nut/Гайка крышки/Karak somunu	SS inox A2/Нержавеющая сталь A2/Paslanmaz çelik A2
8	Disc/Диск/Disk	Ductile iron/Ковкий чугун/Düktül Demir	20	Setting screw/Установочный винт/Ayarlama vidası	SS inox X20Cr13
9	Support plate/Опорная пластина/Destek plakası	Ductile iron/Ковкий чугун/Düktül Demir	21	Setting wrench/Ключ для установки/Ayarlama anahtarı	Galvanized steel/Оцинкованная сталь/Galvanize çelik
10	Body cylinder/Корпус цилиндра/Gövde silindiri	Ertalon	22*	Manometer/Манометр/Manometre	SS Innox/Нержавеющая сталь/Paslanmaz çelik
11	Guide stop/Упор направляющей/Ayar kolu durdurucusu	Cupro aluminium CuAl9Ni3Fe2	23	Gauge valve/Клапан манометра/Ölçer vanası	Nickel plated brass/Хромированная латунь/Nikel kaplamalı pirinç
12	Setting spring/Установочная пружина/Ayarlama yayı	Coated steel/Сталь с покрытием/Kaplamalı çelik			

*Manometer optional

Chart

This chart can be used to check when the Monostab Pressure Valve can be used

Zone 1: Normal conditions of service

Zone 2: Cavitation area

Zone 3: Not possible

Диаграмма

Эта диаграмма может использоваться для проверки возможности использования обратного клапана Monostab

Зона 1: Нормальные условия работы

Зона 2: Область кавитации

Зона 3: Невозможно

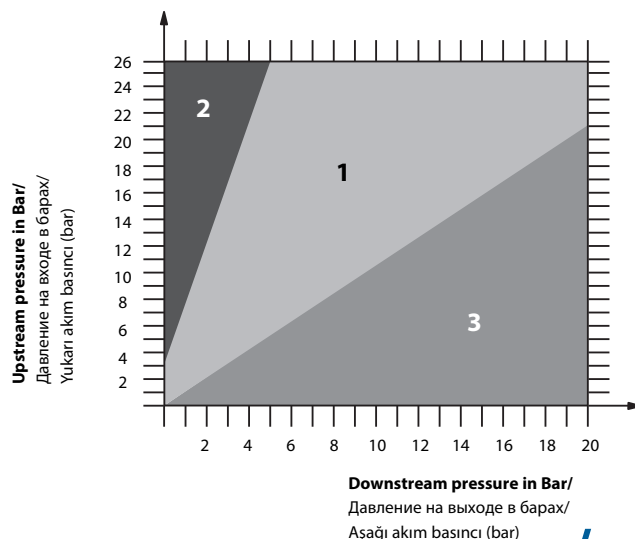
Grafik

Bu grafik Monostab basınç vanası için kullanılır.

Bölge 1: Normal servis şartları

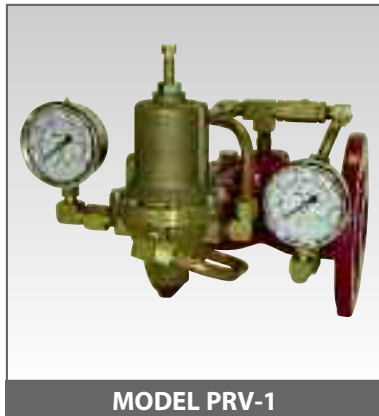
Bölge 2: Kavitasyon bölgesi

Bölge 3: geçersiz



Pressure Reducing Valves

- R** Редукционные клапаны
- T** Basınç Düşürücü Vanalar



MODEL PRV-1

Body/Cover:
Корпус/Крышка:
Gövde/Kapak:

Diaphragm:
Мембрана:
Diyafram:

Pilot:
Управление:
Pilot:

Pilot Trim:
Комплект управления:
Pilot Trim:

Tubing:
Трубки:
Boru:

Ductile Iron
Ковкий чугун
Duktil Demir

Buna-N
Buna-N
Buna-N

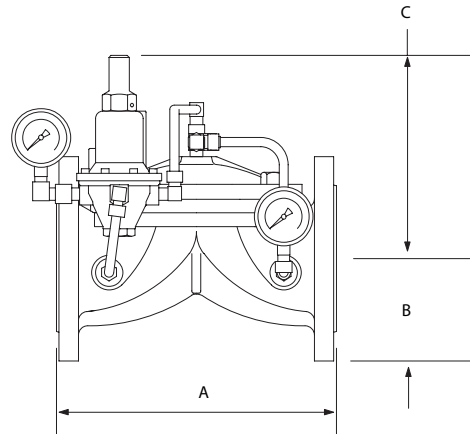
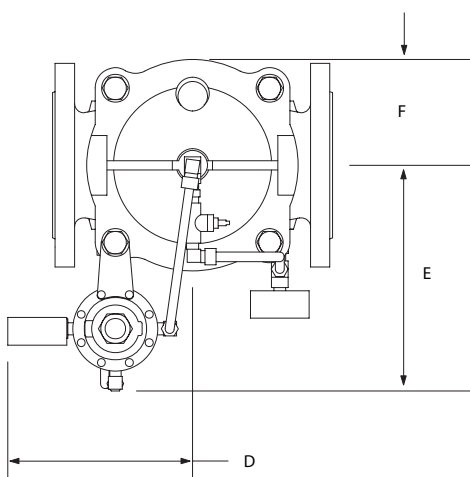
Cast Bronze
Литая бронза
Dökme Bronz

Stainless Steel
Нержавеющая сталь
Paslanmaz Çelik

Brass
Латунь
Pirinç



TFP1580



Model PRV-1

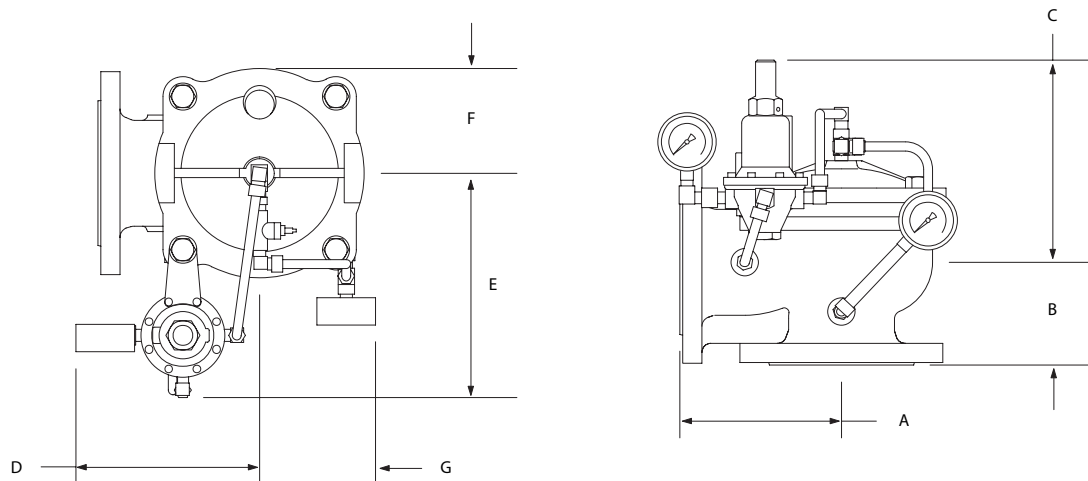
Art. Nr.	DN	Type	PN [Bar]	Connection Тип соединения Bağlantı	Max. Flow l/mm	A mm	B mm	C mm	D mm	E mm	F mm	kg	UL	FM
525708160	50	2" Globe/Сферического типа/Küresel tip	17.2	BSP Threaded	946	191	38	186	163	208	60	6.9	✓	✓
525708920	50	2" Globe/Сферического типа/Küresel tip	17.2	Grooved	946	191	38	186	163	208	60	6.9	✓	✓
525708112	80	3" Globe/Сферического типа/Küresel tip	17.2	Flanged PN16	2080	283	45	208	190	235	100	13.9	✓	✓
525708022	80	3" Globe/Сферического типа/Küresel tip	17.2	Flanged ANSI	2080	283	45	208	190	235	100	13.9	✓	✓
525708922	80	3" Globe/Сферического типа/Küresel tip	17.2	Grooved	2080	283	45	208	190	235	100	13.9	✓	✓
525708162	80	3" Globe/Сферического типа/Küresel tip	17.2	BSP Threaded	2080	283	45	208	190	235	100	13.9	✓	✓
525708113	100	4" Globe/Сферического типа/Küresel tip	17.2	Flanged PN16	3785	346	111	221	201	246	115	20.5	✓	✓
525708023	100	4" Globe/Сферического типа/Küresel tip	17.2	Flanged ANSI	3785	346	111	221	201	246	115	20.5	✓	✓
525708923	100	4" Globe/Сферического типа/Küresel tip	17.2	Grooved	3785	346	111	221	201	246	115	20.5	✓	✓
525708115	150	6" Globe/Сферического типа/Küresel tip	17.2	Flanged PN16	8325	452	84	251	171	292	150	53.5	✓	✓
525708115	150	6" Globe/Сферического типа/Küresel tip	17.2	Flanged ANSI	8325	452	84	251	171	292	150	53.5	✓	✓
525708925	150	6" Globe/Сферического типа/Küresel tip	17.2	Grooved	8325	452	84	251	171	292	150	53.5	✓	✓
525708126	200	8" Globe/Сферического типа/Küresel tip	17.2	Flanged PN16	15140	470	170	283	182	319	177	75.5	✓	✓
525708026	200	8" Globe/Сферического типа/Küresel tip	17.2	Flanged ANSI	15140	470	170	283	182	319	177	75.5	✓	✓
525708926	200	8" Globe/Сферического типа/Küresel tip	17.2	Grooved	15140	470	170	283	182	319	177	75.5	✓	✓

- **Pressure adjustment** / Регулирование давления / Basınç ayarlaması **UL 5.5 - 10.3 Bar; for FM 5.5 - 15.5 Bar.**
- **Factory setting** / Заводская настройка / Fabrika ayarı **8.6 Bar (125 Psi)**

Pressure Reducing Valves

R Редукционные клапаны

T Basınç Düşürücü Vanalar



Model PRV-1														
Art. Nr.	DN	Type	PN [Bar]	Connection Тип соединения Bağlantı	Max. Flow l/mm	A mm	B mm	C mm	D mm	E mm	F mm	kg	UL	FM
525718160	50	2" Angle/Углового типа/Dirsek	17.2	BSP Threaded	946	191	38	186	163	208	60	6.9	✓	✓
525718920	50	2" Angle/Углового типа/Dirsek	17.2	Grooved	946	191	38	186	163	208	60	6.9	✓	✓
525718112	80	3" Angle/Углового типа/Dirsek	17.2	Flanged PN16	2080	283	45	208	190	235	100	13.9	✓	✓
525718022	80	3" Angle/Углового типа/Dirsek	17.2	Flanged ANSI	2080	283	45	208	190	235	100	13.9	✓	✓
525718922	80	3" Angle/Углового типа/Dirsek	17.2	Grooved	2080	283	45	208	190	235	100	13.9	✓	✓
525718162	80	3" Angle/Углового типа/Dirsek	17.2	BSP Threaded	2080	283	45	208	190	235	100	13.9	✓	✓
525718113	100	4" Angle/Углового типа/Dirsek	17.2	Flanged PN16	3785	346	111	221	201	246	115	20.5	✓	✓
525718023	100	4" Angle/Углового типа/Dirsek	17.2	Flanged ANSI	3785	346	111	221	201	246	115	20.5	✓	✓
525718923	100	4" Angle/Углового типа/Dirsek	17.2	Grooved	3785	346	111	221	201	246	115	20.5	✓	✓
525718115	150	6" Angle/Углового типа/Dirsek	17.2	Flanged PN16	8325	452	84	251	171	292	150	53.5	✓	✓
525718115	150	6" Angle/Углового типа/Dirsek	17.2	Flanged ANSI	8325	452	84	251	171	292	150	53.5	✓	✓
525708925	150	6" Angle/Углового типа/Dirsek	17.2	Grooved	8325	452	84	251	171	292	150	53.5	✓	✓

• Pressure adjustment 5.5 - 10.3 bar/• Регулирование давления 5,5 - 10,3 бара/Basınç ayarlaması 5,5 - 10,3 bar

Other Pump Equipment

® Другое насосное оборудование

™ Diğer pompa ekipmanı

Air Release Valves Model 15A

Предохранительные воздушные клапаны, модель 15A
Hava tahliye vanaları Model 15A



P. 4.063

Foot Valves Model 24

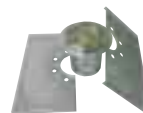
Нижние клапаны, модель 24
Ayak vanaları, model 24



P. 4.064

Anti-Vortex Plates Model FV

Противовихревые экраны, модель FV
Anti Vortex plakalar, model FV



P. 4.065

Backflow Preventers Model BAC

Устройства предотвращения противотока, модель BAC
Geri akış önleyicileri, model BA 298-F



P. 4.066

Backflow Preventers Model EA

Устройства предотвращения противотока, модель EA
Geri akış önleyicileri, model EA



P. 4.067

Waste Cones Model 109

Переливные воронки, модель 109
Atık hunisi, model 109



P. 4.068

Float Valves Model SV2

Поплавковые клапаны, модель SV2
Seviye kontrol vanaları, model SV2



P. 4.069

Float Valves Model SV642

Поплавковые клапаны, модель SV642
Seviye kontrol vanaları, model SV642



P. 4.070

Float Valves Model RAF13A

Поплавковые клапаны, модель RAF13A
Seviye kontrol vanaları, model RAF13



P. 4.071

Model K3-10

Модель K3-10
Model K3-10



P. 4.073

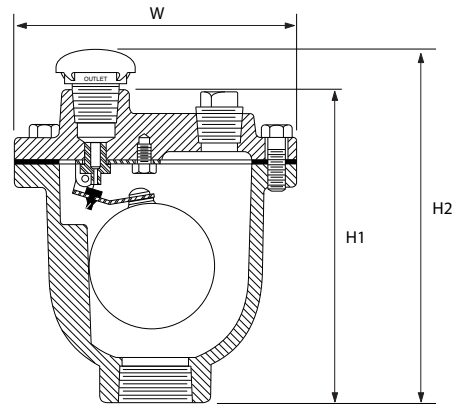
Other Pump Equipment, Air Release Valves

- R** Другое насосное оборудование, предохранительные воздушные клапаны
- T** Diğer pompa ekipmanı, hava tahliye vanaları



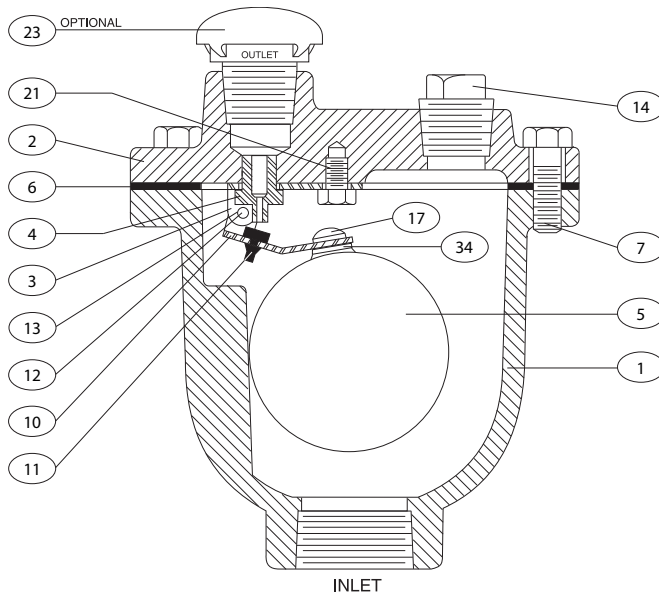
MODEL 15A

Body: Cast Iron
Корпус: Литейный чугун
Gövde: Dökme Demir



Model 15A

Art. Nr.	Inlet Вход/Giriş DN	Outlet Выход/Çıkış DN	PN [Bar]	H1 mm	H2 mm	W mm	Q Kg	UL	FM
1500210	15 1/2"NPT	15 1/2"NPT	12	133	194	121	2.7	✓	✓
1500340	25 1"NPT	15 1/2"NPT	12	133	194	121	2.7	✓	✓



Parts List/Список деталей/Parça Listesi

Nr.	Description Описание Tanım
1	Body/Корпус/Gövde
2	Cover/Крышка/Кapak
3	Lever Frame/Рама рычага/Kol Çerçevesi
4	Seat/Седло/Үйүвә
5	Float/Поплавок/Aуак
6	Gasket/Прокладка/Conta
7	Cover Bolt/Болт крышки/Кapak Civatası
10	Float Arm/Рычаг поплавка/Seviye Kontrol Kolu
11	Orifice Button/Шайбовая пробка/Orifis Düğmesi
12	Pivot Pin/Палец шарнира/Pivot Pimi
13	Pin Retainer (not shown)/Упор шарнира (не показан)/Pim Tutucu (gösterilmemektedir)
14	Pipe Plug/Заглушка трубы/Boru tapası
17	Float Retainer/Фиксатор поплавка/Seviye Kontrol Tutucu
21	Locator/Искатель/Yer Bulucu
23	Screened Hood/Экранированный колпак/Perdelenmiş Kapak
34	Lock Washer/Стопорная шайба/Sabitleme rondelası

Other Pump Equipment, Foot Valves

R Другое насосное оборудование, нижние клапаны

T Diğer pompa ekipmanı, Seviye Kontrol vanaları



MODEL 24

Body:

Корпус:
Gövde:

Spring:

Пружина:
Yay:

Strainer:

Фильтр-отстойник:
Pislik Tutucusu (Süzgeç):

Seal:

Уплотнение:
Yuva :

Cast Iron [epoxy blue] internal/external]

Литейный чугун [синяя эпоксидная смола] внутри/снаружи]
Dökme demir [yaşay reçine mavı] dahili/ harici

Stainless Steel

Нержавеющая сталь
Paslanmaz Çelik

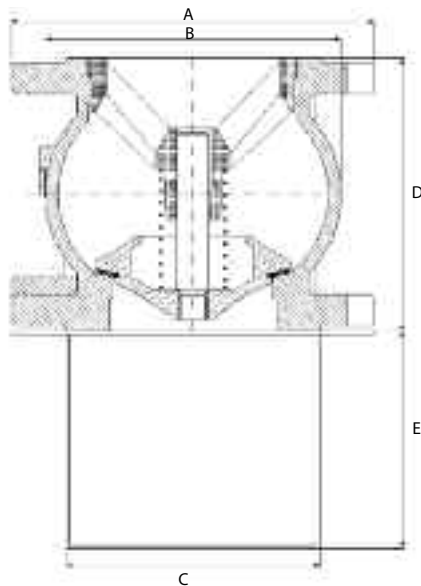
Galvanised Steel

Оцинкованная сталь
Galvanize çelik

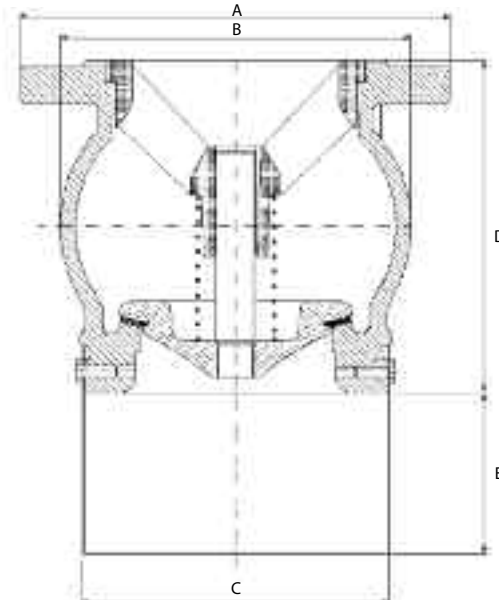
NBR

Нитриловая резина
NBR

DN100-DN250



DN300



Model 24 Flanged with Basket/Модель 24 фланцевая с корзиной/Flanşlı, sepet ile

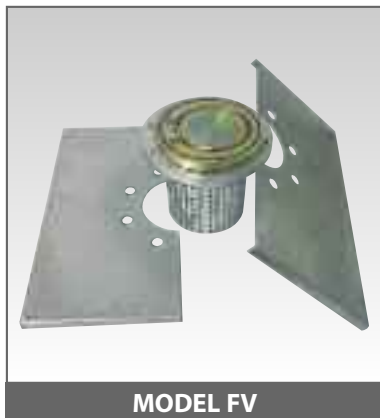
Art. Nr.	DN	PN [Bar]	Drilling Сверление Delme	A mm	B mm	C mm	D mm	E mm	Kv m ³ /h	⊙ Kg
24100B1148	100 4"	16	PN10/16	220	185	164	175	142	360	16.0
24100B1688	150 6"	16	PN10/16	285	248	212	234	200	810	32.7
24100B2198	200 8"	16	PN16	340	345	255	300	300	1080	52.0
24100B2738	250 10"	16	PN16	405	415	330	370	380	1770	86.0

Model 302 Flanged with Basket/Модель 302 фланцевая с корзиной/Flanşlı, sepet ile

Art. Nr.	DN	PN [Bar]	Drilling Сверление Delme	A mm	B mm	C mm	D mm	E mm	Kv m ³ /h	⊙ Kg
30203247	300 12"	10	PN10	486	482	426	410	242	2210	133.0

Other Pump Equipment, Anti-Vortex Plates

- R** Другое насосное оборудование, противовихревые экраны
- T** Diğer pompa ekipmanı, Anti-Vortex i plakalar



MODEL FV

Body Check Valve:
Body Basket:

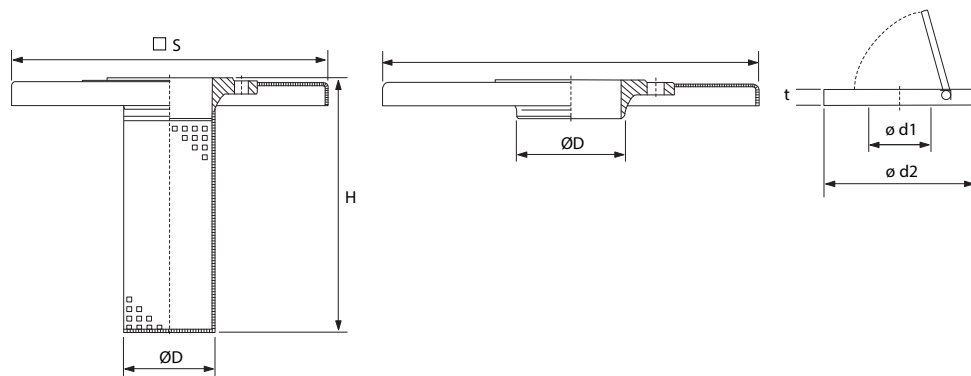
Корпус обратного клапана:
Корпус корзины:

Gövde Geri:
Gövde Sepeti:

Galvanised Carbon Steel
Galvanised Steel

Оцинкованная углеродистая сталь
Оцинкованная сталь

Tepme Emniyet Vanası Galvanize Karbon Çelik
Galvanize çelik



Model FV - PN10

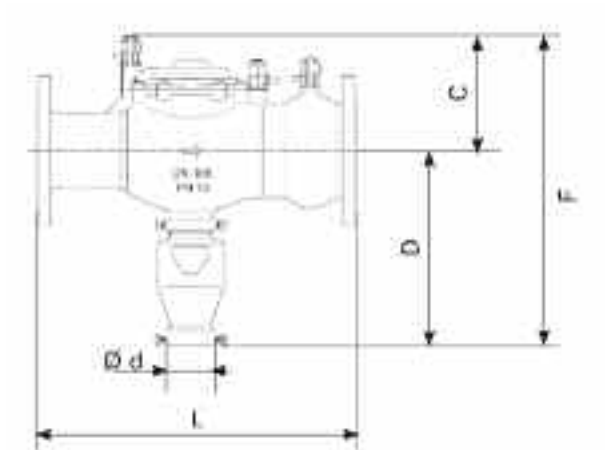
Art. Nr. With Basket С корзиной Sepetli	Art. Nr. Without Basket Без корзины Sepetsiz	DN	Ø D mm	H mm	s mm	Ø d1 mm	Ø d2 mm	t mm	VDS	VAS	CEA	
FV100MAMSG	FV100MAOSG	100	4"	114.3	150	400	70	164	16	✓	✓	✓
FV150MAMSG	FV150MAOSG	150	6"	168.3	205	600	121	220	19	✓	✓	✓
FV200MAMSG	FV200MAOSG	200	8"	219.1	255	800	155	275	29	✓	✓	✓
FV250MAMSG	FV250MAOSG	250	10"	273.0	310	1000	196	330	29	✓	✓	✓
FV300MAMSG	FV300MAOSG	300	12"	323.9	340	1200	230	380	38	✓	✓	✓

Other Pump Equipment, Backflow Preventers

- Другое насосное оборудование, устройства предотвращения протвотока
- Diğer pompa ekipmanı, geri akış önleyicileri



BAC



Backflow Preventer BAC PN10/Устройство предотвращения протвотока BAC PN10/Geriakış önleyicileri BA298-F

Art. Nr.	DN	L mm	C mm	D mm	ØD mm	F mm	○ Kg	NF	UNI	ANSEAU	BOUTREKET
BAC0767	65 2.1/2"	305	132.5	252.5	50	385	17	√	√	√	√
BAC0897	80 3"	470	170	313.5	80	483.5	26.5	√	√	√	√
BAC1147	100 4"	470	170	313.5	80	483.5	28	√	√	√	√
BAC1687	150 6"	600	310	229	90	539	103	√	√	√	√
BAC2197	200 8"	780	350	272	90	622	111	√	√	√	√

Other Pump Equipment, Backflow Preventers

- R** Другое насосное оборудование, устройства предотвращения противотока
- T** Diğer pompa ekipmanı, geri akış önleyicileri



EA

Parts List/Список деталей/Parça Listesi

Nr.	Description Описание Tanım
1	Body/Корпус/Gövde
2	Cover/Крышка/Карак
3	Clapper/Клапан/Карак
4	Clapper Seat/Седло клапана/Klape Yuvası
5	Clapper gasket/Прокладка клапана/Klape contası
6	Axe/Ось/Aks
7	Return spring/Пружина возврата/Geri dönüş yayı
8	Drain cap/Крышка слива/Drenaj kapağı
9	Gauge valve/Клапан манометра/Ölçer vanası
10	Drain valve/Клапан слива/Drenaj vanası

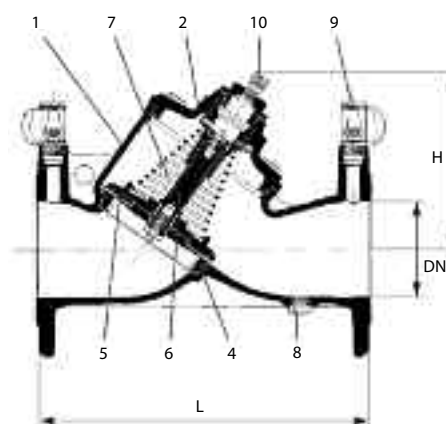
Model EA

Art. Nr.	DN	Flanges Фланцы Flanşlar	L mm	H mm	⊘ Kg	
EA00608	40/50	1.1/2"/2"	PN10/16	230	135	11
EA768	65	2.1/2"	PN10/16	290	150	14
EA898	80	3"	PN10/16	310	160	18
EA1148	100	4"	PN10/16	350	185	23
EA1398	125	5"	PN10/16	400	225	34
EA1688	150	6"	PN10/16	480	265	50
EA2197	200	8"	PN10	600	330	75
EA2737	250	10"	PN10	On request/По запросу/ İstek üzerine	On request/По запросу/ İstek üzerine	135

*Alternative option on DN200: drilling PN16 available on request

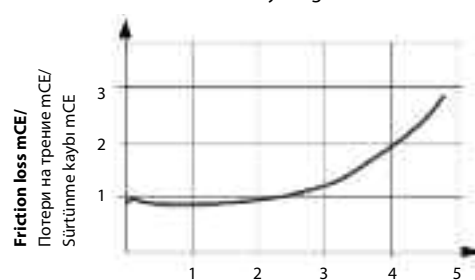
*Альтернативный вариант на DN200: сверление PN16 доступно по запросу

* İstek üzere DN200 PN16 olarak temin edilir.



Friction loss curve

Кривая потерь на трение
Sürtünme kaybı eğrisi



VE* = Equivalent velocity =

Medium velocity in inlet section

VE* = Эквивалентная скорость =

Средняя скорость в секции подачи

VE* = Denk hız = Giriş bölümünde orta hız

Other Pump Equipment, Waste Cones

- Другое насосное оборудование, переливные воронки
- Diğer pompa ekipmanı, atık hunileri

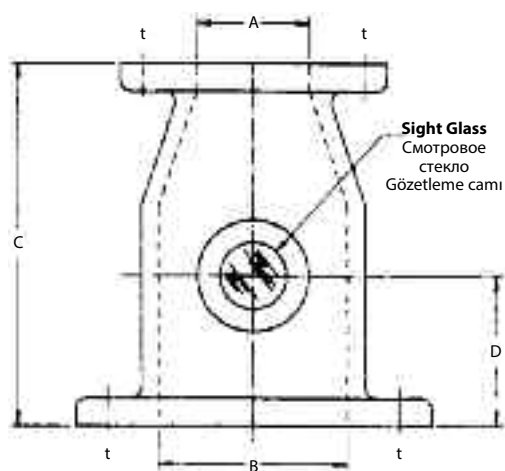


MODEL 109

Body: Cast Iron
 Корпус: Литейный чугун
 Gövde: Dökme Demir

Model 109 Closed/Модель 109 закрыто/Караalı

Art. Nr.	DN A x B	PN [Bar]	Flanges Фланцы Flanşlar	C mm	D mm	kg
10930055	80 x 125	3" x 5"	12 ANSI 125	254	102	21
10940065	100 x 150	4" x 6"	12 ANSI 125	254	102	21
10940085	100 x 200	4" x 8"	12 ANSI 125	254	102	21
10960105	150 x 250	6" x 10"	12 ANSI 125	330	127	40
10980125	200 x 300	8" x 12"	12 ANSI 125	330	127	68



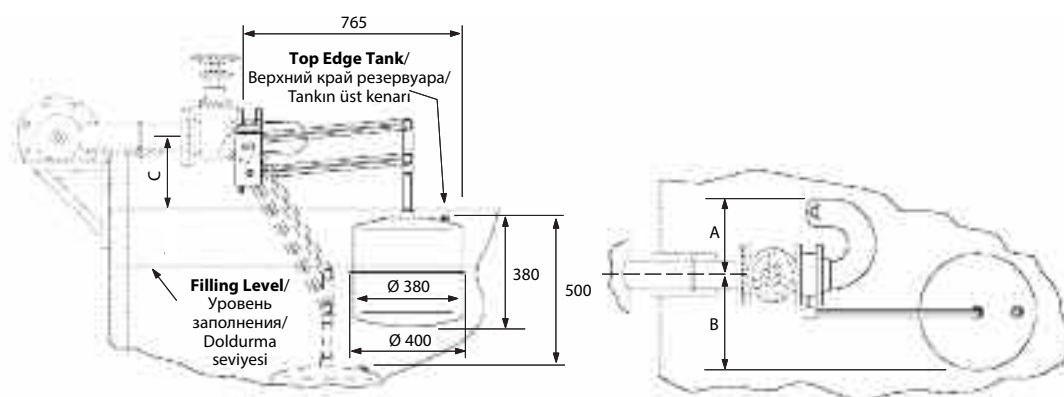
Other Pump Equipment, Float Valves

- Другое насосное оборудование, поплавковые клапаны
- Diğer pompa ekipmanı, seviye kontrol vanaları



SV2

Body Float:	Stainless Steel
Material Arms:	Aluminium
Material Outlet:	Cast Iron
Корпус поплавка:	Нержавеющая сталь
Материал рычагов:	Алюминий
Материал вывода:	Литейный чугун
Gövde Seviye Kontrolü:	Paslanmaz Çelik
Kol Malzemesi:	Alüminyum
Çıkış Malzemesi:	Dökme Demir



Model SV2 Complete/Полный/Там									
Art. Nr.	DN	Flange Фланец Flans	PN [Bar]	A mm	B mm	C mm	kg	VDS	DWG
820768	50	2"	PN10	175	295	≥170	31	✓	✓
820756	80	3"	PN10	250	310	≥245	39	✓	✓

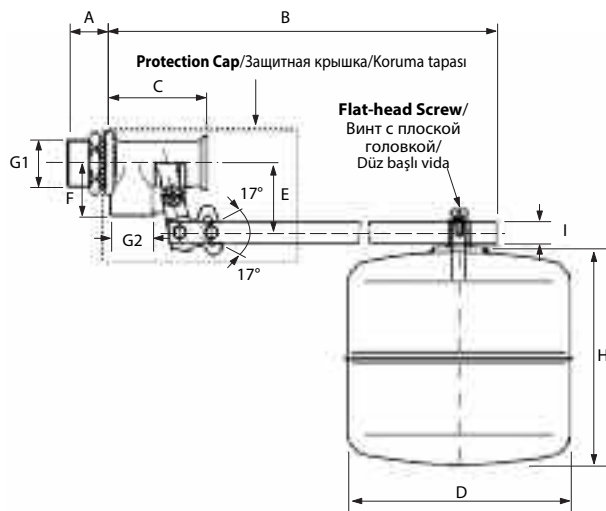
Other Pump Equipment, Float Valves

- Другое насосное оборудование, поплавковые клапаны
- Diğer pompa ekipmanı, seviye kontrol vanaları



SV642

Body Float:	Stainless Steel
Material Lever:	Galvanised Steel
Корпус поплавка:	Нержавеющая сталь
Материал рычага:	Оцинкованная сталь
Gövde Seviye Kontrolü:	Paslanmaz Çelik
Kol Malzemesi :	Galvanize çelik



Model SV642

Art. Nr.	DN	PN [Bar]	KV m ³ /h	A mm	B mm	C mm	ØD mm	E mm	F mm	G1	G2	H mm	I mm	kg	
623948	25	1"BSP	10	5.4	28	720	72	180	54	38	1"	3/4"	180	20	1.9
777343	50	2"BSP	10	17.4	42	900	116	245	75	53	2"	1.1/2"	245	25	6.0

Other Pump Equipment, Float Valves

- R** Другое насосное оборудование, поплавковые клапаны
- T** Diğer pompa ekipmanı, seviye kontrol vanaları

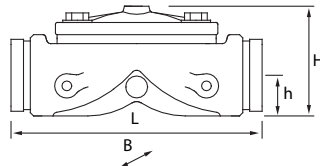
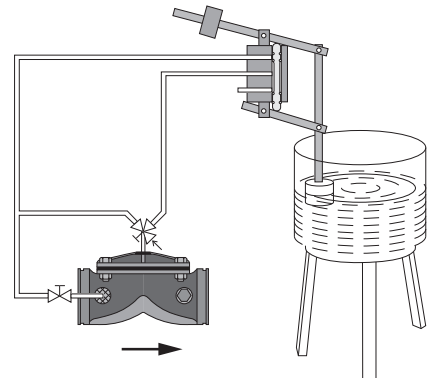


RAF13

Body: Ductile Iron
Корпус: Ковкий чугун
Gövde: Duktül Demir

Diaphragm: Natural Rubber/
Diaфрагма: Натуральный каучук/
Diyafram: Нейлоновая ткань

Float Arm Assembly: Zinc Plated Steel
Узел рычага поплавка: Оцинкованная сталь
Seviye kontrol kolu tertibatı: Çinko kaplı çelik

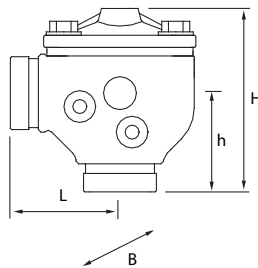


Model RAF13 - PN16

Art. nr.	Nom. Size Ном. Размер/ Alınma Boyut mm ["]	Pipe OD Внешний диаметр трубы/ Hortum OD mm	Min. Inlet Pressure Мин. давление на входе/ Min. Giriş Basıncı (Bar)	Max. Inlet Pressure Макс. давление на входе/ Maks. Giriş Basıncı (Bar)	Kv. factor (Open Valve) RAF Коэффициент Kv. (открытый клапан) RAF/ Kv. faktörü (Açık Vana) RAF	Control Chamber Volume Объем камеры управления/ Kontrol Odası Hacmi Litре/литр/Litre	L	H	B	h	Approx. Weight Прибл. вес/ Yakl. Ağırlık Kg
RAF-G048	40 1 1/2	48.3	0.8	16	40	0.06	159	80	96	29	1.8
RAF-G060	50 2	60.3	0.7	16	70	0.08	190	100	125	38	3.9
RAF-G076	65 2 1/2	76.1	0.7	16	100	0.16	216	110	125	46	6.7
RAF-G089D	80D 3D	88.9	0.7	16	130	0.16	244	127	138	50	5.4
RAF-G089	80 3	88.9	0.6	16	170	0.3	290	138	200	50	10.4
RAF-G114D	100D 4D	114.3	0.6	16	170	0.3	244	283	222	50	11.1
RAF-G114	100 4	114.3	0.4	16	290	0.7	346	220	230	60	16.5
RAF-G139	125 5	139.7	0.4	16	290	0.7	305	167	230	60	16.0
RAF-G168D	150D 6D	168.3	0.4	16	300	0.7	325	285	285	143	35.8
RAF-G168	150 6	168.3	0.4	16	490	1.5	406	240	300	85	30.4
RAF-G219	200 8	219.1	0.4	16	790	3.5	470	332	354	110	45.6
RAF-G273	250 10	273.0	0.3	16	1400	7.6	635	374	464	137	75.6
RAF-G324	300 12	323.9	0.3	16	1800	7.6	749	402	464	162	90.0

Other Pump Equipment, Float Valves

- R** Другое насосное оборудование, поплавковые клапаны
- T** Diğer pompa ekipmanı, seviye kontrol vanaları



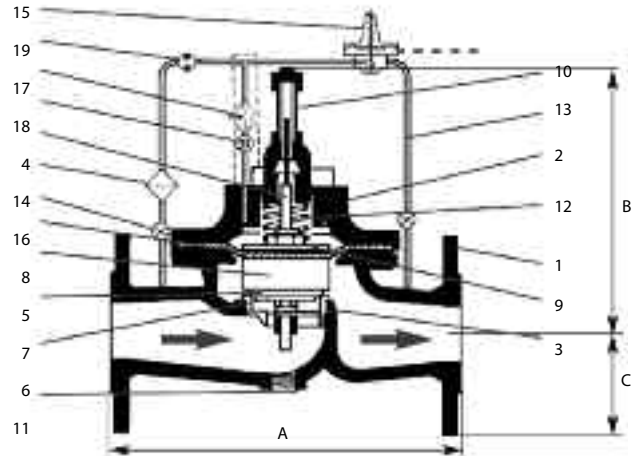
Model RAF13A - PN16											
Art. nr.	Nom. Size Ном. Размер/ Аппа Boyut	Pipe OD Внешний диаметр трубы/ Hortum OD	Min. Inlet Pressure Мин. давление на входе/ Min. Giriş Basıncı	Max. Inlet Pressure Макс. давление на входе/ Maks. Giriş Basıncı	Kv. factor (Open Valve) RAF Кoeffициент Kv. (открытый клапан) RAF/ Kv. faktörü (Açık Vana) RAF	Control Chamber Volume Объем камеры управления/ Kontrol Odası Hacmi	L	H	B	h	Approx. Weight Прибл. вес/ Yakl. Ağırlık
	mm ["]	mm	(Bar)	(Bar)		Litre/Литр/Litre	mm	mm	mm	mm	Kg
RAF-A060	50 2	60.3	0.7	16	62	0.08	90	150	125	81	4.2
RAF-A076	65 2.1/2	76.1	0.7	16	90	0.16	117	160	125	83	7.0
RAF-A089D	80D 3D	88.9	0.7	16	100	0.16	130	170	140	86	6.2
RAF-A089	80 3	88.9	0.6	16	155	0.3	148	205	200	107	12.0
RAF-A114D	100D 4D	114.3	0.6	16	155	0.3	155	225	220	110	21.0
RAF-A114	100 4	114.3	0.4	16	200	0.7	150	227	230	118	15.9
RAF-A168	150 6	168.3	0.4	16	470	1.5	218	315	300	148	48.7

Trim only/Только обвязка/Sadece trim	
Art. nr. [Trim only] Только обвязка/ Sadece trim	Nom. Size Ном. Размер/ Аппа Boyut
	mm ["]
TRIM-RAF13	40-125 1.1/2-5
TR-RAF13X	150-300 6-12

Recommended Flow/Рекомендуемый расход/Tavsiye edilen akış yönü			
DN		Flow Rate m ³ /h Расход м ³ /час/ Akış hızı	
mm	["]	Max.	Intermittent Прерывистый/ Aralıklı
40	1 1/2	25	35
50	2	45	60
65	2 1/2	70	80
80D	3D	70	100
80	3	90	120
100D	4D	90	120
100	4	150	180
125	5	150	200
150D	6D	150	200
150	6	320	400
200	8	550	750
250	10	950	1150
300	12	1200	1700

Altitude Valves

- R** Регуляторы уровня
- T** Seviye ayarlayıcı vanaları



Model K3-10									
Art. Nr.	DN	Flanges* Фланцы* Flanşlar*	Height filling setting m Настройка высоты заполнения м Standart seviye m	Height setting on request m Настройка высоты заполнения по запросу м Talep üzere ayarlanabilir seviye m	A mm	B mm	C mm	Q Kg	
K30608	40/50	1.1/2"/2"	ISO PN10/16	1.5 - 8	6 - 40	230	223	85	29
K30768	65	2.1/2"	ISO PN10/16	1.5 - 8	6 - 40	290	242	95	38
K30898	80	3"	ISO PN10/16	1.5 - 8	6 - 40	310	262	102	47
K31148	100	4"	ISO PN10/16	1.5 - 8	6 - 40	350	287	120	49
K31398	125	5"	ISO PN10/16	1.5 - 8	6 - 40	400	383	137	60
K31688	150	6"	ISO PN10/16	1.5 - 8	6 - 40	480	430	152	80
K32198	200	8"	ISO PN10 / PN16	1.5 - 8	6 - 40	600	554	182	140
K32738	250	10"	ISO PN10 / PN16	1.5 - 8	6 - 40	730	595	212	245

***ISO PN10 or PN16 to be specified on the order**
 *ISO PN10 или PN16 должно быть указано при заказе
 *ISO PN10 veya PN16' talebinizi lütfen siparişte bildirin

Parts List/Список деталей/Parça Listesi					
Nr.	Description Описание Tanım	Material Материал Malzeme	Nr.	Description Описание Tanım	Material Материал Malzeme
1	Body/Корпус/Gövde	FGS/EN-GJS-450-10	11	Cap/Крышка/Карак	Cupro/CuZn39Pb3
2	Cover/Крышка/Карак	FGS/EN-GJS-450-10	12	Spring/Пружина/Үяу	SS inox/X8CrNi 18.8
3	Seat/Седло/Үяуа	Bronze CuSn12	13	Pilot trim/Комплект управления/Pilot trim	SS inox/X2CrNiMo 17-12-2
4	Axe/Ось/Aks	SS inox x20Cr13	14	Strainer/Фильтр-отстойник/Pislik Tutucu (Süzgeç)	Bronze CuSn5Zn5Pb5 + SS inox 303
5	Clapper holder/Держатель клапана/Карак askısı	DN50-DN200-FGL/EN-GJL-250, DN250-FGS/EN-GJS-450-10	15	Pilot/Пусковой/Pilot	Bronze-SS Innox
6	Clapper fixing ring/Омккружащее кольцо клапана/Карак sabitleştirici halka	DN50-DN150-Cupro-aluminium/ CuAl10Fe2, DN200-DN250-FGL/Aluminium Bronze	16	Ball valve/Шаровой клапан/Küresel vana	Nickel Brass/Никелированная латунь/Nikel Pirinç
7	Clapper/Клапан/Карак	EPDM	17	Speed controller/Контроллер скорости/Hız kontrolü	CuZn39Pb3 + X8CrNiS 18.9 + EPDM
8	Membrane/Мембрана/Zar	Elastomer	18	Ball valve/Шаровой клапан/Küresel vana	CuZn36Pb2As + EPDM
9	Disc/Диск/Disk	DN50-DN150-FGL/EN-GJL-250, DN200-DN250-FGS/EN-GJS-450-10	19	Diaphragm/Диафрагма/Diyafram	SS inox/X8CrNiS 18.9
10	Indicator/Индикатор/İndikatör	Cupro/CuZn39Pb3 + Glass/Стекло/Cami			

<p>Fig. 1:</p> <p>Top filling Верхнее заполнение Üstten doldurma</p>	<p>Fig. 2:</p> <p>Bottom filling Нижнее заполнение Alttan doldurma</p>
<p>Fig. 3:</p> <p>Piping filling Заполнение через трубопровод Pompa donanımlı doldurma</p>	<p>Fig. 4:</p> <p>Pressure signal on Drain Line Сигнал давления на линии слива Basınc kontrol sinyali drenaj hattından gelir</p>

Measuring and Electrical Devices

® Измерительно оборудование и электронные приборы

™ Ölçme Cihazları ve Elektronik Cihazlar

Flow Switches

Сигнализаторы потока жидкости
Akış Anahtarları



P. 5.002

Pressure Switches

Сигнализаторы давления
Basınç Anahtarları



P. 5.010

Supervisory Switches

Индикаторы положения
Süpervizyon Anahtarları



P. 5.020

Flow Meters

Расходомеры
Akış Ölçerleri



P. 5.025

Water Tank Equipment

Оборудование для водяных резервуаров
Su Deposu Ekipmanları



P. 5.030

Water Supplies Proving Equipment

Поверочное оборудование для водоснабжения
Besleme Suyu Kontrol Ekipmanları



P. 5.034

Pressure Reader

Устройство считывания давления
Basınç Okuyucular



P. 5.035

Electric Bells

Электрические звонки
Elektronik Ziller



P. 5.036

Flow Switches

R Сигнализаторы потока жидкости

T Akış Anahtarları

Flow Switches Model VSR-EU

Сигнализаторы потока жидкости, модель VSR-EU
Akış Anahtarları, Model VSR-EU



P. 5.003

Flow Switches Model VSG

Сигнализаторы потока жидкости, модель VSG
Akış Anahtarları, Model VSG



P. 5.004

Flow Switches Model VS-SP

Сигнализаторы потока жидкости, модель VS-SP
Akış Anahtarları, Model VS-SP



P. 5.005

Flow Switches Model VSR-S

Сигнализаторы потока жидкости, модель VSR-S
Akış Anahtarları, Model VSR-S



P. 5.006

Flow Switches Model VSR-FE-2

Сигнализаторы потока жидкости, модель VSR-FE-2
Akış Anahtarları, Model VSR-FE-2



P. 5.007

Flow Switches Model VSR-FEX

Сигнализаторы потока жидкости, модель VSR-FEX
Akış Anahtarları, Model VSR-FEX



P. 5.008

Remote Test Unit Model Zonecheck

Блок дистанционного тестирования, модель Zonecheck
Uzaktan Kumandalı Test Cihazı, Model Zonecheck



P. 5.009

Flow Switches

R Сигнализаторы потока жидкости

T Akış Anahtarları



VSR-EU

Model VSR-EU Vane Type/Лопастного типа/Vane Tipi

Art. Nr.	DN	P Bar	Hole Size Диаметр отверстия Delik Çapı mm	Retard Settings [sec] Настройки задержки [сек.] Gecikme Ayarları [sec]	Kg	UL	FM	LPGB	VdS	CE	VNIPO	T/S/U	PAVUS
20000608	50	2"	31	33 ± 2	0 - 30	1.70	✓	✓	✓	✓	✓	✓	✓
20000768	65	2.1/2"	31	33 ± 2	0 - 30	1.70	✓	✓	✓	✓	✓	✓	✓
20000898	80	3"	31	50 ± 2	0 - 30	2.20	✓	✓	✓	✓	✓	✓	✓
20001148	100	4"	31	50 ± 2	0 - 30	2.40	✓	✓	✓	✓	✓	✓	✓
20001418	125	5"	31	50 ± 2	0 - 30	2.60	✓	✓	✓	✓	✓	✓	✓
20001688	150	6"	31	50 ± 2	0 - 30	2.60	✓	✓	✓	✓	✓	✓	✓
20002198	200	8"	31	50 ± 2	0 - 30	3.20	✓	✓	✓	✓	✓	✓	✓
20002738	250	10"	20	50 ± 2	0 - 90	4.70	✓			✓			

Features/Свойства/Özellikler

Description Описание Tanımlama

Flow Sensitivity/Чувствительность/Akış Hassasiyeti

15-38 LPM (4-10 GPM) -UL
30-57 LPM (8-15 GPM) -VdS
No signal below 1 -LPM (2.6 GPM) - VdS

IP Rating/Класс защиты IP/IP Değerlendirmesi

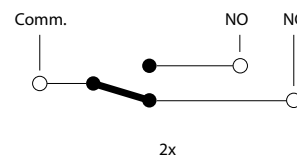
IP 56

Temperature/Температура/Isı

1° C - 68° C - VdS
4.5° C - 49° C - UL

Contacts/Контакты/Irtibatlar

2 x SPDT [C]
15 A - 125/250 VAC
2 A - 30 VDC



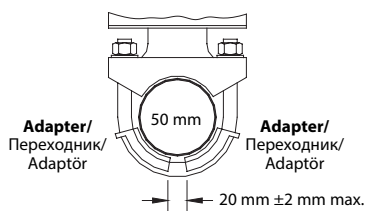
2x

Retard adjustment: The delay can be adjusted by rotating the retard adjustment knob 0 to the max setting (20-30 seconds). The time delay should be set at the minimum required to prevent false alarms/

Do not leave cover off for extended period of time/
Не оставляйте крышку открытой на продолжительное время/
Kapağı uzun bir süre açık bırakmayınız

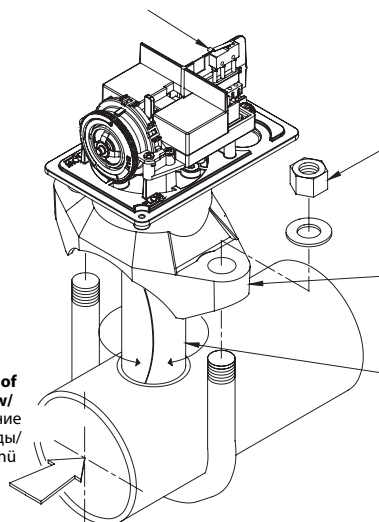
Настройка задержки: Задержка может регулироваться поворотом регулятора задержки от 0 до максимального значения (20-30 секунд) Задержка времени должна устанавливаться на минимально требуемое значение для предотвращения подачи ложных сигналов тревоги.

Gecikme ayarı: Gecikme ayar düğmesini çevirerek gecikmeyi 0'dan en yüksek ayara (20-30 saniye) kadar ayarlayabilirsiniz. Yanlış alarmları önlemek için gecikme gerekli olan en düşüğe ayarlanmalıdır



DN50 only use adapters as shown above to satisfy VdS requirements/

Для соответствия требованиям VdS только для труб DN50 используются переходники (показано выше)/ VdS gereksinimlerini karşılamak için adaptörleri yalnızca yukarıda gösterildiği gibi kullanın DN50



Tighten nuts alternately/
Почередно затяните гайки/
Somunları değiştirerek sıkıştırınız

Mount on pipe so arrow on saddle points in direction of waterflow/
Установите на трубе так, чтобы стрелка на седле совпала с направлением потока/ Eğeri okun su akış yönünü gösterecek bir biçimde borunun üzerine monte edin

Roll paddle in opposite direction of waterflow/ Закрутите крыльчатку в направлении противоположном потоку воды/ Kanadı su akışına karşı döndürün

Flow Switches

- R** Сигнализаторы потока жидкости
- T** Akış Anahtarları

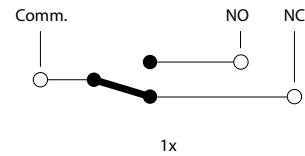


VSG

Model VSG Vane Type/Лопастного типа/Vane Tipi						
Art. Nr.	DN	P Bar	Hole Size Диаметр отверстия Delik Çapı mm	kg	UL	CE
30000602	50	2"	31	33 ± 2	2.00	✓ ✓ ✓
30000762	65	2.1/2"	31	33 ± 2	2.00	✓ ✓ ✓
30000892	80	3"	31	50 ± 2	2.20	✓ ✓ ✓
300001142	100	4"	31	50 ± 2	2.40	✓ ✓ ✓

Features/Свойства/Özellikler	
Description Описание Tanımlama	
Min. Flow/Мин. расход/Asgari Akış	11.4 L/Min.
IP Rating/Класс защиты IP/IP Değerlendirmesi	IP 56
Temperature/Температура/Isı	+4 / +50° C
Contacts/Контакты/Irtibatlar	1 x SPDT [C] 2 A - 0/30 VDC 0/125 VAC

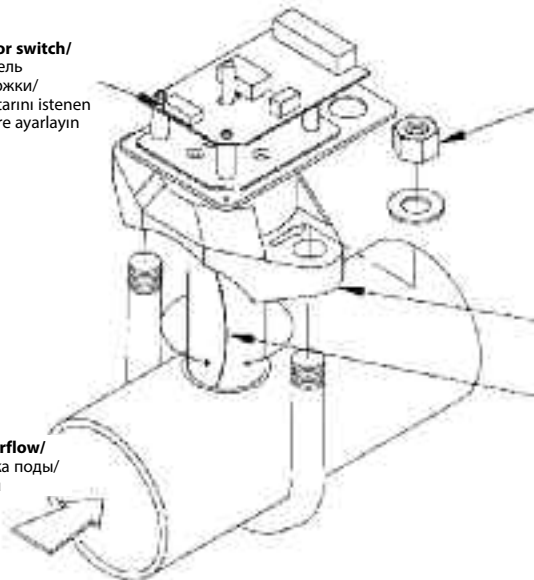
Electronic Retard Settings [sec] Настройки задержки [сек.] Elektronik Gecikme Ayarları [sec]	
Switch Off Выключение Kapatma	Time [sec] Время [сек.] Zaman [sec]
1-8 on/вкл/açık	0
1	15
1 & 2	30
1, 2 & 3	45
1, 2, 3 & 4	60
1, 2, 3, 4 & 5	75
1, 2, 3, 4, 5 & 6	90
7	not used/не используется/kullanılmamakta
8	not used/не используется/kullanılmamakta



Do not leave cover off for extended period of time/
Не оставляйте крышку открытой на продолжительное время/
Kapağı uzun bir süre açık bırakmayınız

Retard time selector switch/
Переключатель
времени задержки/
Zaman ayarlama anahtarını istenen
gecikme süresine göre ayarlayın

Direction of waterflow/
Направление потока воды/
Su akış yönü



Tighten nuts alternately to an eventual 68 Nm of torque/
Поочередно затяните гайки с усилием 68 НхМ/
Somunları sıra ile 68 Nm tork ile sıkıştırınız

Mount on pipe so arrow on saddle points in direction of waterflow/
Установите на трубе так, чтобы стрелка на седле
совпала с направлением потока/
Eğeri okun su akış yönünü gösterecek bir biçimde borunun
üzerine monte edin

Roll paddle in opposite direction of waterflow/
Закрутите крыльчатку в направлении
противоположном потоку воды/
Kanađı su akışına karşı döndürün

Flow Switches

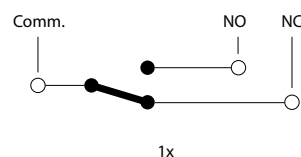
- R** Сигнализаторы потока жидкости
- T** Akış Anahtarları



VS-SP

Model VS-SP Vane Type/Лопастного типа/Vane Tipi

Art. Nr.	Size Размер Boy	P Bar	Ø Kg	UL	CE
19000480	1" NPT	17	0.92	✓	✓

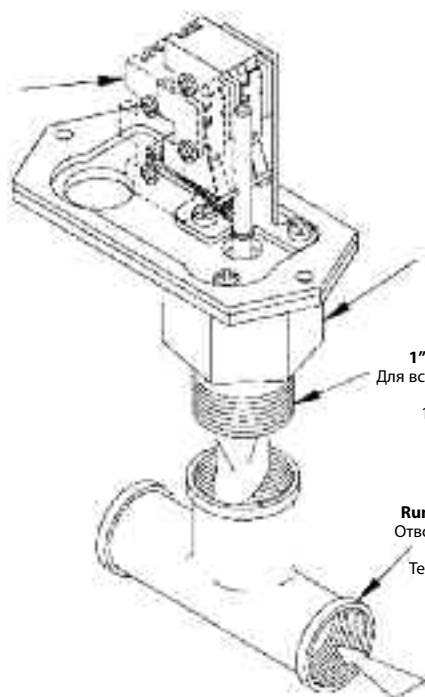


Features/Свойства/Özellikler

Description Описание Tanımlama	
Min. Flow/Мин. расход/Asgari Akış	38 L/Min.
IP Rating/Класс защиты IP/IP Değerlendirmesi	IP 56
Temperature/Температура/Isı	+4 / +50° C
Contacts/Контакты/Irtibatlar	1 x SPDT [C] 15 A - 125/250 VAC 0.5 A - 125 VDC 0.25 A - 250 VDC 2.5 A - 30 VDC

Optional second switch available if required. switch kit stk. #0090013/

При необходимости можно заказать дополнительный выключатель артикул выключателя 0090013/ Gerektiğinde bir anahtar daha temin edilebilir. anahtar kiti #0090013



Arrow on brushing point should be mounted in direction of water flow/

При установке направление стрелки на втулке должно соответствовать направлению потока воды/ Okun su akış yönünü gösterecek biçimde monte ediniz

1" NPT threaded fitting on all sizes/
Для всех размеров используются резьбовые фитинги 1 дюйм NPT/
1" NPT dişli fitting, tüm ölçüler için

Run of the tee may be threaded or sweat type/
Отвод на тройнике может быть иметь резьбовое или сварное соединение/
Te'ninkenarlari hem yivli hem sert lehim olabilir

Direction of waterflow/
Направление потока воды/
Su akış yönü

Flow Switches

- R** Сигнализаторы потока жидкости
- T** Akış Anahtarları



VSR-S

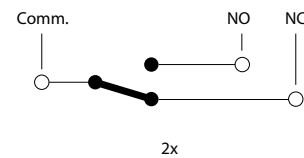
Model VSR-S Vane Type/Лопастного типа/Vane Tipi

Art. Nr.	Size Размер Boy	P Bar	Retard Settings [sec] Настройки задержки [сек.] Geciktirme Ayarları [sec]	Kg	UL	CE	VANPO
20000488	1" NPT	17	0 - 60/90	1.32	✓	✓	✓

Features/Свойства/Özellikler

Description Описание Tanımlama

Flow Sensitivity/Чувствительность/Akış Hassasiyeti	15-38 LPM UL
IP Rating/Класс защиты IP/IP Değerlendirmesi	IP 56
Temperature/Температура/Isı	+4 / +50° C
Contacts/Контакты/İrtibatlar	2 x SPDT [C] 15 A - 125/250 VAC 2 A - 30 VDC

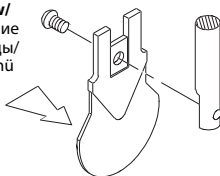


Retard adjustment: The time delay is factory set at 30±10 seconds. The delay can be adjusted by rotating the retard adjustment knob 0 to the max setting (60-90 seconds). The time delay should be set at the minimum required to prevent false alarms/

Настройка задержки: Время задержки на заводе-изготовителе устанавливается на 30±10 секунд. Задержка может регулироваться поворотом регулятора задержки от 0 до максимального значения (60-90 секунд) Задержка времени должна устанавливаться на минимально требуемое значение для предотвращения подачи ложных сигналов тревоги/

Geciktirme ayarı: Geciktirme fabrika ayarı 30±10 saniyedir. Geciktirme ayar düğmesini çevirerek gecikmeyi 0'dan en yüksek ayara (60-90 saniye) kadar ayarlayabilirsiniz. Yanlış alarmları önlemek için gecikme gerekli olan en düşüğe göre ayarlanmalıdır

**Direction of waterflow/
Направление
потока воды/
Su akış yönü**

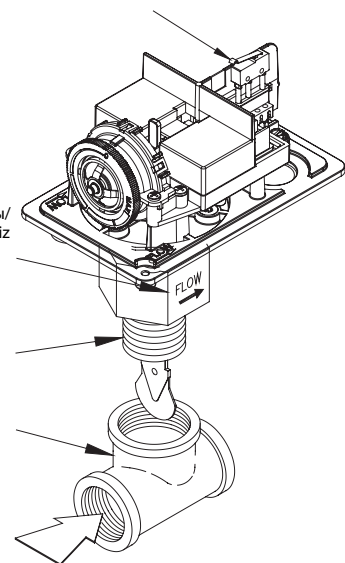


**Do not leave cover off for extended period of time/
Не оставляйте крышку открытой на продолжительное время/
Kapağı uzun bir süre açık bırakmayınız**

**Arrow on brushing point should be mounted in direction of water flow/
При установке направление стрелки на втулке должно соответствовать направлению потока воды/
Okun su akış yönünü gösterecek biçimde monte ediniz**

**1" NPT threaded fitting on all sizes/
Для всех размеров используются резьбовые фитинги 1 дюйм NPT/
1" NPT dişli fitting, bütün boylar için**

**Run of the tee may be threaded or sweat type/
Отвод на тройнике может быть иметь резьбовое или сварное соединение/
Te'nin kenarları hem yivli hem sert lehim olabilir**



**Direction of waterflow/
Направление потока воды/
Su akış yönü**

Flow Switches

- R** Сигнализаторы потока жидкости
- T** Akış Anahtarları



VSR-FE-2

Model VSR-FE-2 Vane Type/Лопастного типа/Vane Tipi

Art. Nr.	DN	P Bar	Hole Size Диаметр отверстия Delik Çapı mm	kg	UL	FM	CE
20000603	50	2"	31	33 ± 2	2.00	✓	✓
20000763	65	2.1/2"	31	33 ± 2	2.10	✓	✓
20000893	80	3"	31	50 ± 2	2.60	✓	✓
20001143	100	4"	31	50 ± 2	2.60	✓	✓
20001683	150	6"	31	50 ± 2	3.30	✓	✓
20002193	200	8"	31	50 ± 2	4.30	✓	✓

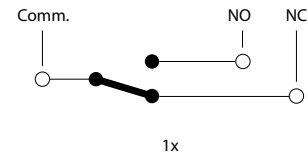
Features/Свойства/Özellikler

Description Описание Tanımlama	
Min. Flow/Мин. расход/Asgari Akış	38 L/Min.
IP Rating/Класс защиты IP/IP Değerlendirmesi	IP 56
Temperature/Температура/Isı	+4 / +50°C
Contacts/Контакты/Irtibatlar	1 x SPDT [C] 2 A - 0/30 VDC 0/125 VAC

Electronic Retard Settings [sec]

Настройки задержки [сек.]
Elektronik Geciktirme Ayarları [sec]

Switch Off Выключение Kapatma	Time [sec] Время [сек] Zaman [sec]
1-8 on/ein/on	0
1	15
1 & 2	30
1, 2 & 3	45
1, 2, 3 & 4	60
1, 2, 3, 4 & 5	75
1, 2, 3, 4, 5 & 6	90
7	not used/не используется /kullanılmamakta
8	not used/не используется /kullanılmamakta



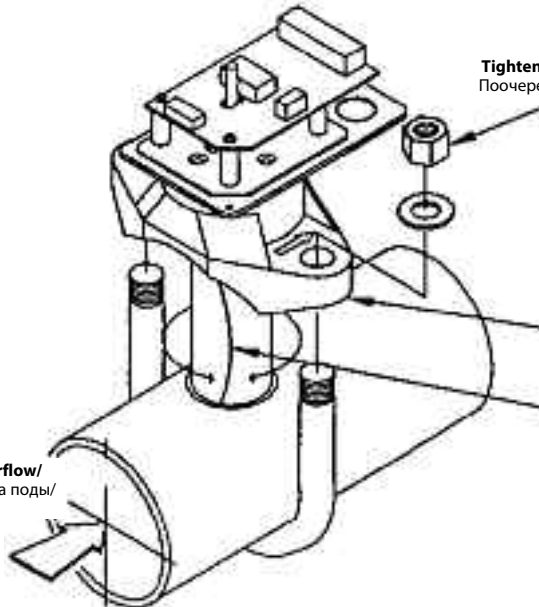
Do not leave cover off for extended period of time/
Не оставляйте крышку открытой на продолжительное время/
Kapağı uzun bir süre açık bırakmayınız

Tighten nuts alternately to an eventual 50 Ft.-LBS of torque/
Почередно затяните гайки с усилием 50 футов на фунт силы/
Somunları sıra ile değiştirerek 50 Ft.-LBS
torkuna ulaşana kadar sıkıştırınız

Mount on pipe so arrow on saddle points in direction of waterflow/
Установите на трубе так, чтобы стрелка на седле
совпала с направлением потока/
Eğer okun su akış yönünü gösterecek bir
biçimde borunun üzerine monte edin

Roll paddle in opposite direction of waterflow/
Закрутите крыльчатку в направлении
противоположном потоку воды/
Kanadı su akışına karşı döndürün

Direction of waterflow/
Направление потока воды/
Su akış yönü



Flow Switches, Explosion Proof

- R** Сигнализаторы потока жидкости, взрывозащищенное исполнение
- T** Akış Anahtarları, Patlamaya Karşı Dayanıklı



VSR-FEX

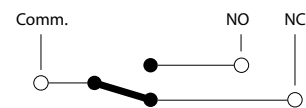
Model VSR-FEX Vane Type/Лопастного типа/Vane Tipi

Art. Nr.	DN	P Bar	Hole Size Диаметр отверстия Delik Çapı mm	Retard Settings [sec] Настройки задержки [сек.] Geciktirme Ayarları [sec]					Kg	UL	FM	ATEX	
				A	B	C	D	E					
20000609	50	2"	31	33 ± 2	10-25	20-40	35-55	50-70	60-90	3.50	✓	✓	✓
20000769	65	2.1/2"	31	33 ± 2	10-25	20-40	35-55	50-70	60-90	3.50	✓	✓	✓
20000899	80	3"	31	50 ± 2	10-25	20-40	35-55	50-70	60-90	3.50	✓	✓	✓
20001149	100	4"	31	50 ± 2	10-25	20-40	35-55	50-70	60-90	3.50	✓	✓	✓
20001419	125	5"	31	50 ± 2	10-25	20-40	35-55	50-70	60-90	3.50	✓	✓	✓
20001689	150	6"	31	50 ± 2	10-25	20-40	35-55	50-70	60-90	3.50	✓	✓	✓
20002199	200	8"	31	50 ± 2	10-25	20-40	35-55	50-70	60-90	3.50	✓	✓	✓

Features/Свойства/Özellikler

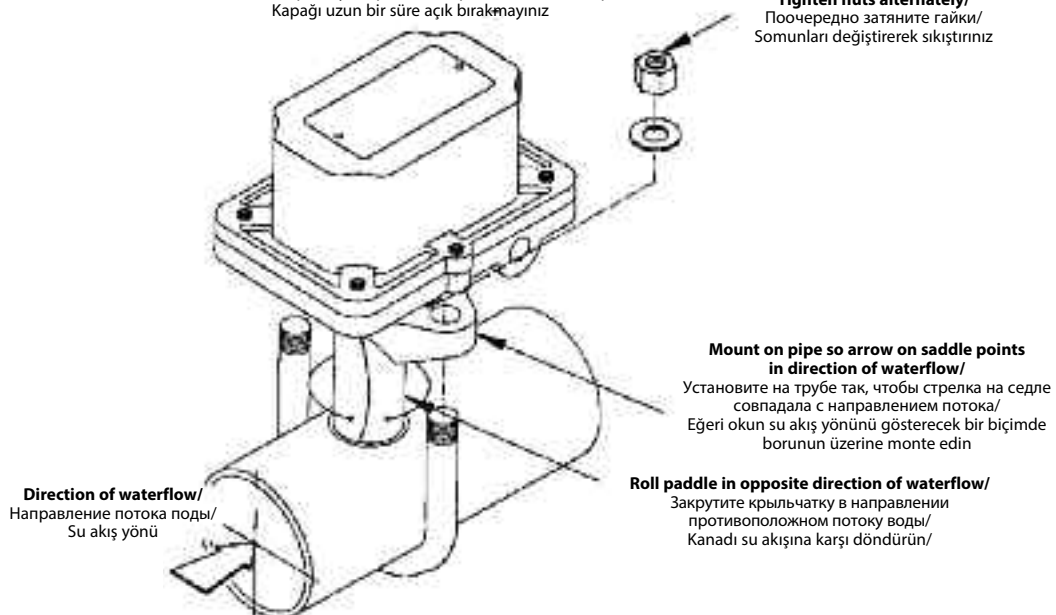
Description Описание Tanımlama

Min. Flow/Мин. расход/Asgari Akış	38 L/Min.
IP Rating/Класс защиты IP/IP Değerlendirmesi	NEMA 4
Temperature/Температура/Isı	+4 / +50° C
Contacts/Контакты/Irtibatlar	2 x SPDT [C] 15 A - 125/250 VAC 2 A - 30 VDC



Do not leave cover off for extended period of time/
Не оставляйте крышку открытой на продолжительное время/
Kapağı uzun bir süre açık bırakmayınız

Tighten nuts alternately/
Поочередно затяните гайки/
Somunları değiştirerek sıkıştırınız



Mount on pipe so arrow on saddle points in direction of waterflow/
Установите на трубе так, чтобы стрелка на седле совпала с направлением потока/
Eğeri okun su akış yönünü gösterecek bir biçimde borunun üzerine monte edin

Roll paddle in opposite direction of waterflow/
Закрütите кoryлçатку v napravlennii protivopolozhnom potoku vody/
Kanadı su akışına karşı döndürün/

Flow Switches, Remote Test Unit

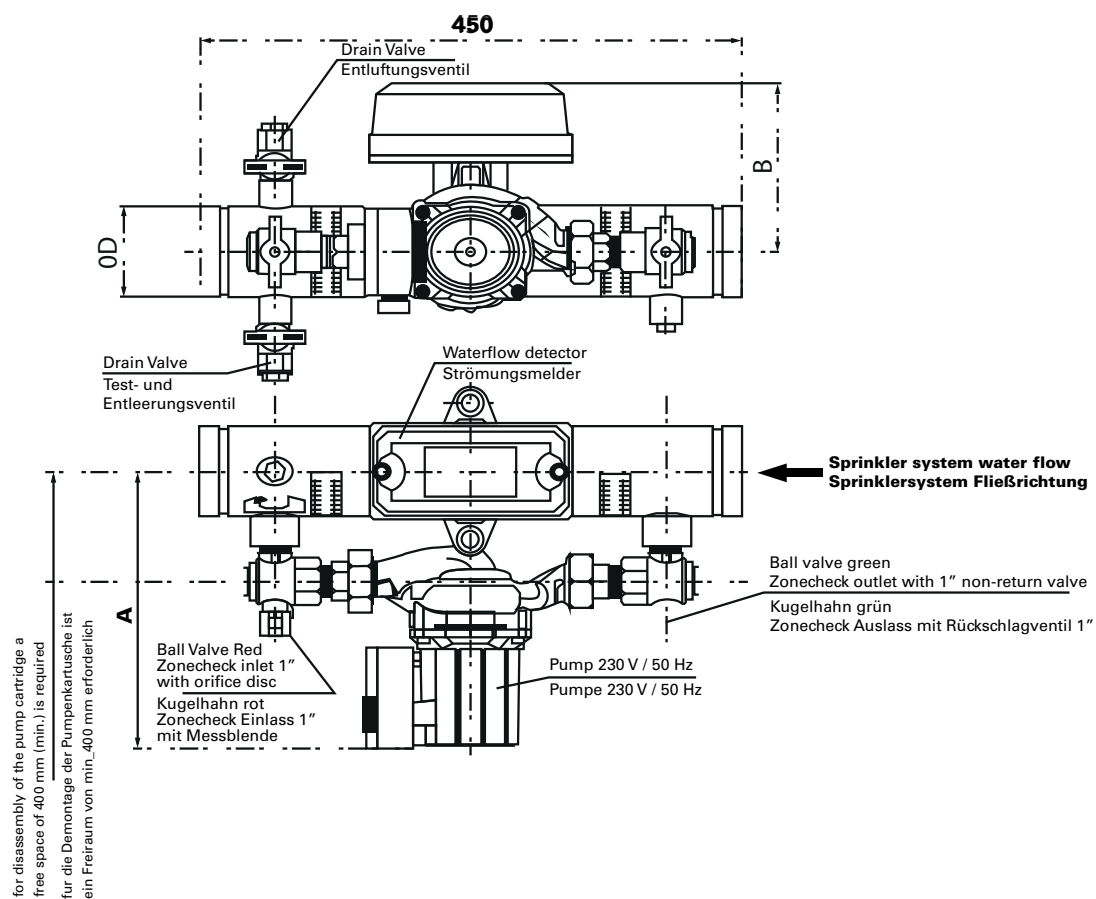
- R** Сигнализатор потока жидкости, блок дистанционного тестирования
- T** Akış Anahtarları, Uzaktan Kumandalı Test Cihazı



ZONECHECK

Zonecheck Assemblies & Retrofit Kit/Обвязка для Zonecheck и комплект для установки на устаревшее оборудование/Zonecheck Elemanları ve Değişirme Kiti

Art. Nr.	DN	Ø Kg	FM	LP/CB	VDS	CE
ZONECHK50	50	14.30	✓	✓	✓	✓
ZONECHK65	65	14.90	✓	✓	✓	✓
ZONECHK80	80	16.50	✓	✓	✓	✓
ZONECHK100	100	18.70	✓	✓	✓	✓
ZONECHK150	150	24.30	✓	✓	✓	✓
ZONECHK50V	50	14.30	✓	✓	✓	✓
ZONECHK65V	65	14.90	✓	✓	✓	✓
ZONECHK80V	80	16.50	✓	✓	✓	✓
ZONECHK100V	100	18.70	✓	✓	✓	✓
ZONECHK150V	150	24.30	✓	✓	✓	✓
ZONECHKRET	RETROFIT	9.00	✓	✓	✓	✓



Pressure Switches

R Сигнализаторы давления

T Basınç Anahtarları

Pressure Switches Model PS10-1/2

Сигнализаторы давления, модель PS10-1/2
Basınç Anahtarları, Model PS10-1/2



P. 5.011

Pressure Switches Model PS40-1/2

Сигнализаторы давления, модель PS40-1/2
Basınç Anahtarları, Model PS40-1/2



P. 5.012

Pressure Switches Model PS100-2

Сигнализаторы давления, модель PS100-2
Basınç Anahtarları, Model PS100-2



P. 5.013

Pressure Switches Model PS120-1/2

Сигнализаторы давления, модель PS120-1/2
Basınç Anahtarları, Model PS120-1/2



P. 5.014

Pressure Switches Model FF4-2

Сигнализаторы давления, модель FF4-2
Basınç Anahtarları, Model FF4-2



P. 5.015

Pressure Switches Explosion Proof Model PS10-EXF/PS40-EXF

Сигнализаторы давления, взрывозащищенное исполнение,
модель PS10-EXF/PS40-EXF
Basınç Anahtarları, Patlamaya Karşı Dayanıklı, Model PS10-EXF/PS40-EXF



P. 5.016

Pressure Switches for controlling Pumps Model ADPS-300-1B

Сигнализаторы давления для насосной станции, модель ADPS-300-1B
Basınç Anahtarları, Pompaların Kontrolü için, Model ADPS-300-1B



P. 5.017

Pressure Switches for controlling Pumps Model RT

Сигнализаторы давления для насосной станции, модель RT
Basınç Anahtarları, Pompaların Kontrolü için, Model RT



P. 5.018

Pressure Switches for controlling Pumps Pump Board

Сигнализаторы давления для насосной станции, панель управления
насосами
Basınç Anahtarları, Pompaların Kontrolü için, Pompalar Tablosu



P. 5.018

Pressure Switches for controlling Pumps CUSP

Сигнализаторы давления для насосной станции, CUSP
Basınç Anahtarları, Pompaların Kontrolü için, CUSP



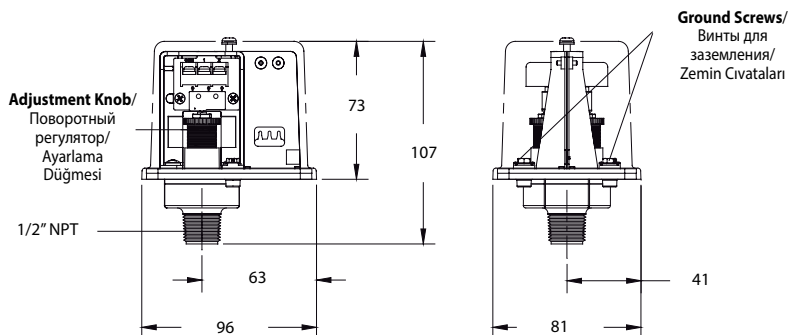
P. 5.019

Pressure Switches

- R** Сигнализаторы давления
- T** Basınç Anahtarları



PS10-1/2



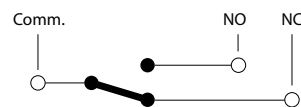
Note: To prevent leakage, apply Teflon tape sealant to male threads only
Примечание: Используйте тефлоновую нить для герметизации резьбовых соединений
Not: Sızıntıyı önlemek için yalnızca erkek dişlere Teflon izolasyon bandı uygulayın

Model PS10-1/2

Art. Nr.	Model Модель Model	Size NPT Резьба NPT NPT Boyu.	Number of SPDT Contacts Количество контактов SPDT SPDT noktalarının sayısı	P Bar	Kg	UL	FM	IP/CB	VDS	CE	VNIPO	PAVUS	T/S/U
0260	PS10-1	1/2"	1	17.2	0.58	✓	✓	✓	✓	✓		✓	✓
0261	PS10-2	1/2"	2	17.2	0.62	✓	✓	✓	✓	✓		✓	✓

Features/Свойства/Özellikler

Description Описание Tanımlama	
Connection/Тип соединения/Bağlama	1/2" NPT
Typical Differential/Дифференциал/Tipik Diferansiyel	0.07 Bar
Adjustment Pressure/Диапазон регулировки давления/Basınç Ayarlanabilir	0.27-1.03 Bar
Factory Setting/Заводская установка/Fabrika Ayarları	0.27-0.55 Bar
Max. Pressure/Макс. давление/Azami Basınç	17.2 Bar
IP Rating/Класс защиты IP/IP Değerlendirmesi	IP55
NEMA rating/Класс NEMA/NEMA koruma sınıfı	NEMA 4
Temperature/Температура/Isi	-40 / + 60°C
Contacts/Контакты/Irtibatlar	SPDT [C] 15 A - 125/250 VAC 2.5 A - 30 VDC



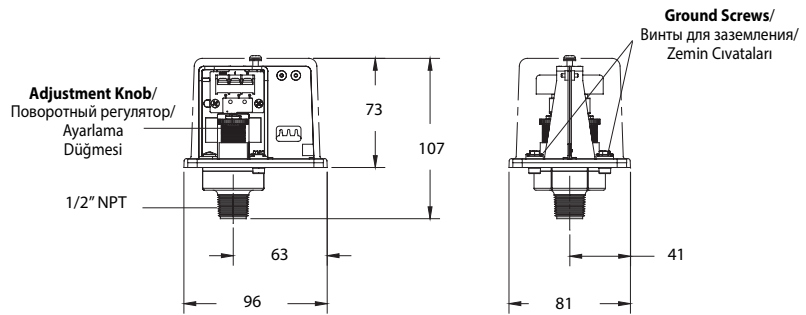
PS10-1 1x
PS10-2 2x

Pressure Switches

- R** Сигнализаторы давления
- T** Basınç Anahtarları



PS40-1/2



Note: To prevent leakage, apply Teflon tape sealant to male threads only
 Примечание: Используйте тефлоновую нить для герметизации резьбовых соединений
 Not: Sızıntıyı önlemek için yalnızca erkek dişlere Teflon izolasyon bandı uygulayın

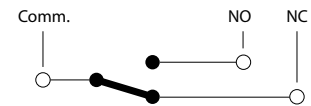
Model PS40-1/2

Art. Nr.	Model Модель Model	Size NPT Резьба NPT NPT Boyu	Number of SPDT Contacts Количество контактов SPDT SPDT noktalarının sayısı	P Bar	Kg	UL	FM	LP/CLB	VDS	CE	VNIPO	T/S/U
0262	PS40-1	1/2"	1	17.2	0.68	✓	✓	✓	✓	✓	✓	✓
0263	PS40-2	1/2"	2	17.2	0.70	✓	✓	✓	✓	✓	✓	✓

Features/Свойства/Özellikler

Description Описание Tanımlama

Connection/Тип соединения/Vağlama	1/2" NPT
Typical Differential/Дифференциал/Tipik Diferansiyel	0.07 at 7 Bar & 0.28 at 4.1 Bar
Adjustment Pressure/Диапазон регулировки давления/Basınç Ayarlanabilir	0.7-4.1 Bar
Factory Setting (Pressure Decrease)/Заводская настройка (Падение давления)/Fabrika Ayarları (Basınç Düşürme)	2.1 Bar
Max. Pressure/Макс. давление/Azami Basınç	17.2 Bar
IP Rating/Класс защиты IP/IP Değerlendirmesi	IP56
NEMA rating/Класс NEMA/NEMA koruma sınıfı	-
Temperature/Температура/Isı	-40 / + 60°C
Contacts/Контакты/Irtibatlar	SPDT [C] 15 A - 125/250 VAC 2.5 A - 30 VDC



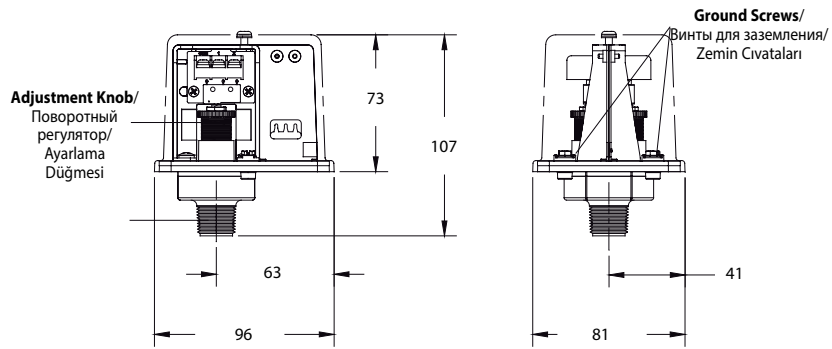
PS40-1 1x
PS40-2 2x

Pressure Switches

- R** Сигнализаторы давления
- T** Basınç Anahtarları



PS100-2



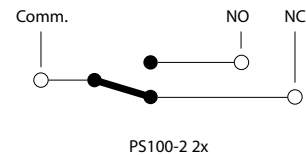
Note: To prevent leakage, apply Teflon tape sealant to male threads only
 Примечание: Используйте тefлоновую нить для герметизации резьбовых соединений
 Not: Sızıntıyı önlemek için yalnızca erkek dişlere Teflon izolasyon bandı uygulayın

Model PS100-2

Art. Nr.	Model Модель Model	Size NPT Резьба NPT NPT Boyu	Number of SPDT Contacts Количество контактов SPDT SPDT noktalarının sayısı	P Bar	Kg	UL	FM	IP/CB	CE	VNI/PO
0264	PS100-2	1/2"	2	20.7	0.70	✓	✓	✓	✓	✓

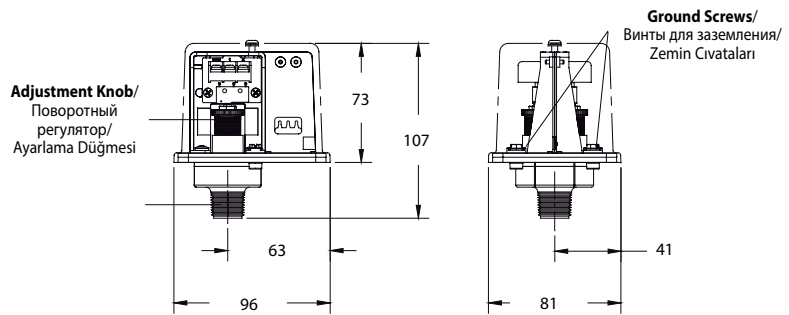
Features/Свойства/Özellikler

Description Описание Tanımlama	
Connection/Тип соединения/Bağlama	1/2" NPT
Typical Differential/Дифференциал/Tipik Diferansiyel	0.14 at 1.7 Bar & 0.55 at 12.1 Bar
Adjustment Pressure/Диапазон регулировки давления/Basınç Ayarlanabilir	1.7-12.1 Bar
Factory Setting [Pressure Decrease]/Заводская настройка [Падение давления]/Fabrika Ayarları [azaltmalar]	6.2 Bar
Max. Pressure/Макс. давление/Azami Basınç	20.7 Bar
IP Rating/Класс защиты IP/IP Değerlendirmesi	IP56
NEMA rating/Класс NEMA/NEMA koruma sınıfı	-
Temperature/Температура/Isı	-40 / + 60°C
Contacts/Контакты/Irtibatlar	SPDT [C] 15 A - 125/250 VAC 2.5 A - 30 VDC



Pressure Switches

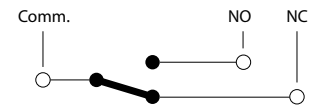
- R** Сигнализаторы давления
- T** Basınç Anahtarları



Note: To prevent leakage, apply Teflon tape sealant to male threads only
 Примечание: Используйте тefлоновую нить для герметизации резьбовых соединений
 Not: Sızıntıyı önlemek için yalnızca erkek dişlere Teflon izolasyon bandı uygulayın

Model PS120-1/2											
Art. Nr.	Model Модель Model	Size NPT Резьба NPT NPT Boyu	Number of SPDT Contacts Количество контактов SPDT SPDT noktalarının sayısı	P Bar	kg	UL	VDS	FM	IPCB	CE	WMIPO
0266	PS120-1	1/2"	1	20.7	0.80	✓	✓	✓	✓	✓	
0267	PS120-2	1/2"	2	20.7	0.80	✓	✓	✓	✓	✓	✓

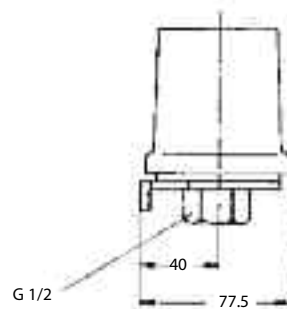
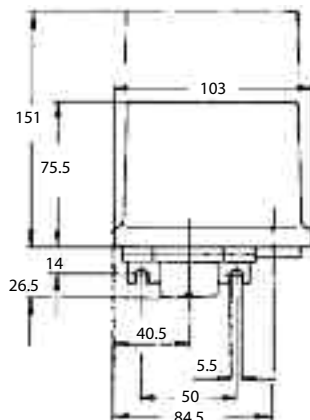
Features/Свойства/Özellikler	
Description Описание Tanımlama	
Connection/Тип соединения/Bağlama	1/2" NPT
Typical Differential/Дифференциал/Tipik Diferansiyel	0.14 at 1.7 Bar & 0.55 at 12.1 Bar
Adjustment Pressure/Диапазон регулировки давления/Basınç Ayarlanabilir	1.7-12.1 Bar
Factory Setting [Pressure Increase]/Заводская настройка [увеличение давления]/Fabrika Ayarları [artırmalar]	9.0 Bar
Factory Setting [Pressure Decrease]/Заводская настройка [падение давления]/Fabrika Ayarları [azaltmalar]	7.6 Bar
Max. Pressure/Макс. давление/Azami Basınç	20.7 Bar
IP Rating/Класс защиты IP/IP Değerlendirmesi	IP56
NEMA rating/Класс NEMA/NEMA koruma sınıfı	-
Temperature/Температура/Isı	-40 / + 60°C
Contacts/Контакты/Irtibatlar	SPDT [C] 15 A - 125/250 VAC 2.5 A - 30 VDC



PS120-1 1x
PS120-2 2x

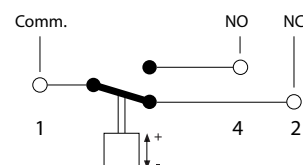
Pressure Switches

- R** Сигнализаторы давления
- T** Basınç Anahtarları



Model FF4-2							
Art. Nr.	Model Модель Model	Size G Размер G G Boyu	Number of SPDT Contacts Количество контактов SPDT SPDT noktalarının sayısı	P Bar	Kg	VDS	CE
013334200	FF4-2	1/2"	1	20	1.00	✓	✓

Features/Свойства/Özellikler	
Description Описание Description	
Connection/Тип соединения/Bağlama	G1/2" Female/Внутренняя резьба/Dişi
Max. Differential/Дифференциал/Azami Diferansiyel	0.1 Bar
Adjustment Pressure/Диапазон регулировки давления/Basınç Ayarlanabilir	0.5 - 1.0 Bar
Factory Setting [Pressure Increase]/Заводская настройка [увеличение давления]/Fabrika Ayarları [artırmalar]	-
Factory Setting [Pressure Decrease]/Заводская настройка [падение давления]/Fabrika Ayarları [azaltmalar]	-
Max. Pressure/Макс. давление/Azami Basınç	20.0 Bar
IP Rating/Класс защиты IP/IP Değerlendirmesi	IP54
NEMA rating/Класс NEMA/NEMA koruma sınıfı	-
Temperature/Температура/Isı	+4 / +70°C
Contacts/Контакты/Irtibatlar	SPDT [C] 6 A - 220 VAC 6 A - 12 VDC



Pressure Switches, Explosion Proof

- R** Сигнализаторы давления, взрывозащищенное исполнение
- T** Basınç Anahtarları, Patlamaya Karşı Dayanıklı



PS10-EXF/PS40-EXF



II2G Ex dIIB T6

Model PS10-EXF

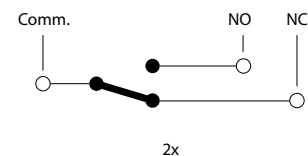
Art. Nr.	Model Модель Model	Size NPT Резьба NPT NPT Boyu	Number of SPDT Contacts Количество контактов SPDT SPDT noktalarının sayısı	P Bar	Ⓚ Kg	UL	FM	CENELEC	CE	ATEX
237EX	PS10-EXF	1/2"	2	17	0.64	✓	✓	✓	✓	✓

Features/Свойства/Özellikler

Description

Описание
Tanımlama

Connection/Тип соединения/Bağlama	1/2" NPT
Max. Differential/Дифференциал/Azami Diferansiyel	0.07 Bar
Adjustment Pressure/Диапазон регулировки давления/Basınç Ayarlanabilir	0.5 - 1.0 Bar
Factory Setting [Pressure Increase]/Заводская настройка [увеличение давления]/Fabrika Ayarları (Basınç arttırma)	0.41 ± 0.07 Bar
Factory Setting [Pressure Decrease]/Заводская настройка [падение давления]/Fabrika Ayarları (Basınç Düşürme)	0.35 ± 0.07 Bar
Max. Pressure/Макс. давление/Azami Basınç	2.1 Bar
IP Rating/Класс защиты IP/IP Değerlendirmesi	IP66
NEMA rating/Класс NEMA/NEMA koruma sınıfı	4.9
Temperature/Температура/Isı	-40 / + 60°C
Contacts/Контакты/İrtibatlar	SPDT [C] 15 A - 125/250 VAC 2.5 A - 30 VDC



Model PS40-EXF

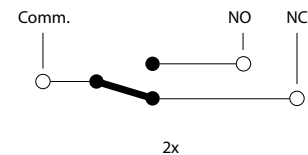
Art. Nr.	Model Модель Model	Size NPT Резьба NPT NPT Boyu	Number of SPDT Contacts Количество контактов SPDT SPDT noktalarının sayısı	P Bar	Ⓚ Kg	UL	FM	CENELEC	CE	ATEX
238EX	PS40-EXF	1/2"	2	17	0.64	✓	✓	✓	✓	✓

Features/Свойства/Özellikler

Description

Описание
Tanımlama

Connection/Тип соединения/Bağlama	1/2" NPT
Max. Differential/Дифференциал/Azami Diferansiyel	0.07 Bar
Adjustment Pressure/Диапазон регулировки давления/Basınç Ayarlanabilir	0.14 - 1.38 Bar & 0.34 - 12.07 Bar
Factory Setting [Pressure Increase]/Заводская настройка [увеличение давления]/Fabrika Ayarları [arttırmalar]	3.5 Bar
Factory Setting [Pressure Decrease]/Заводская настройка [падение давления]/Fabrika Ayarları [azaltmalar]	2.1 Bar
Max. Pressure/Макс. давление/Azami Basınç	17.2 Bar
IP Rating/Класс защиты IP/IP Değerlendirmesi	IP66
NEMA rating/Класс NEMA/NEMA koruma sınıfı	4.9
Temperature/Температура/Isı	-40 / + 60°C
Contacts/Контакты/İrtibatlar	SPDT [C] 15 A - 125/250 VAC 2.5 A - 30 VDC



Pressure Switches for controlling Pumps

- R** Сигнализаторы давления для насосной станции
- T** Basınç Anahtarları, Pompaların Kontrolü İçin



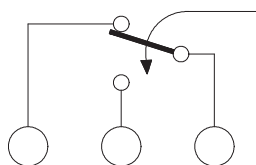
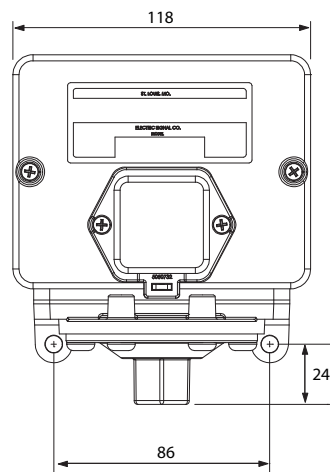
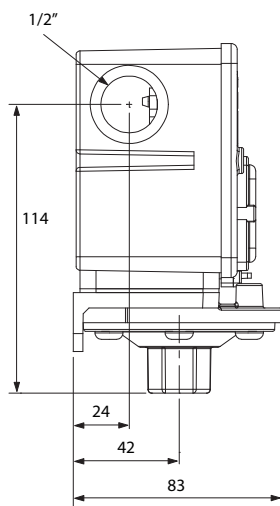
ADPS-300-1B

Model ADPS-300-1B

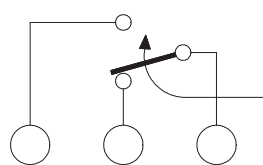
Art. Nr.	Adj. Operating Range Bar Регул. Рабочий диапазон, бар Ayarlamalı Çalışma Aralığı, Bar	Differential Bar Дифференциал, бар Dif. Bar	Proof Pressure Bar Испытательное давление, бар Deneme Basıncı, Bar	Factory Setting Bar Заводская настройка, бар Fabrika Ayarları, Bar	 
1370010	1.73-20.7	0.83	27.7	6.2 4.2	1.2  

Features/Свойства/Özellikler

Description Описание Tanımlama	
Connection/Тип соединения/Vağlama	1/4" NPT Female Thread
Max. Pressure/Макс. давление/Azami Basınc	27.7 Bar
IP Rating/Класс защиты IP/IP Değerlendirmesi	-
NEMA rating/Класс NEMA/NEMA koruma sınıfı	NEMA 4X
Temperature/Температура/Isi	-20 / + 82°C
Contacts/Контакты/Irtibatlar	SPDT (C) 15 A - 125/250/480 VAC 1/8 HP - 125 VAC 1/4 HP - 25 VAC



Switch action on high pressure [operating point]/
Переключение реле при высоком давлении
[точка срабатывания]/
Anahtar yüksek basınç [çalışma] noktasına ulaştığı zaman harekete geçer



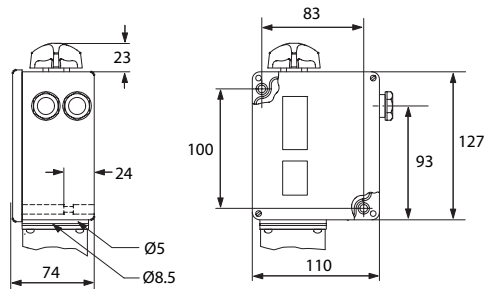
Switch action on low pressure [reset point]/
Переключение реле при низком давлении
[точка сброса]/
Anahtar düşük basınç [çalışma] noktasına ulaştığı zaman harekete geçer

Pressure Switches for controlling Pumps

- R** Сигнализаторы давления для насосной станции
- T** Basınç Anahtarları, Pompaların Kontrolü İçin



RT



Model RT

Art. Nr.	Adj. Operating Range Bar Регул. Рабочий диапазон, бар Ayarlamalı Çalışma Aralığı, Bar	Differential Bar Дифференциал, бар Dif, Bar	Proof Pressure Bar Испытательное давление, бар Deneme Basıncı, Bar	Ø Kg	CE
RT5	4.0 - 17.0	1.2 - 4.0	22.0	0.8	✓
RT200	0.2 - 6.0	0.25 - 1.2	22.0	0.8	✓

Features/Свойства/Özellikler

Description Описание Tanımlama	
Connection/Тип соединения/Bağlama	3/8" BSP Male Thread
Max. Pressure/Макс. давление/Azami Basınç	22.0 Bar
IP Rating/Класс защиты IP/IP Değerlendirmesi	IP54
NEMA rating/Класс NEMA/NEMA koruma sınıfı	-
Temperature/Температура/Isı	-50 / + 150°C
Contacts/Контакты/Irtibatlar	SPDT (C) 10 A, 440 VAC 12W, 220 VDC



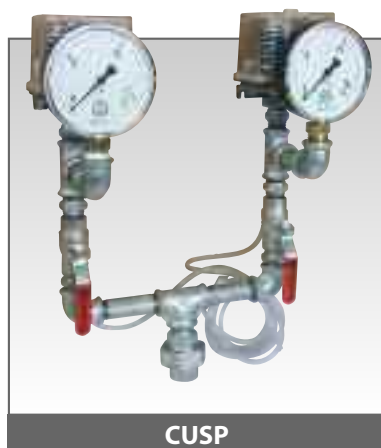
PUMP BOARD

UK Pump Initiation Boards/Панель управления для насосной станции (для Великобритании)/Pompa Çalıştırma Panosu UK

Art. Nr.	Switch Type Тип переключения Anahtar Tipi	Switch Control Main Pump Выключатель управления главным насосом Anahtar Kontrol, Ana Pompa	Switch Control Jockey Pump Выключатель управления насосом подпитки Anahtar Kontrolü, Jockey Pompa	€
PIB2WAY	Single Switch	1 x	1 x	✓
PIB3WAY	Single Switch	2 x	1 x	✓
PIB4WAY	Single Switch	3 x	1 x	✓
PIB2WAYX2	Double Switch	1 x	1 x	✓
PIB3WAYX2	Double Switch	2 x	1 x	✓
PIB4WAYX2	Double Switch	3 x	1 x	✓

Pressure Switches for controlling Pumps

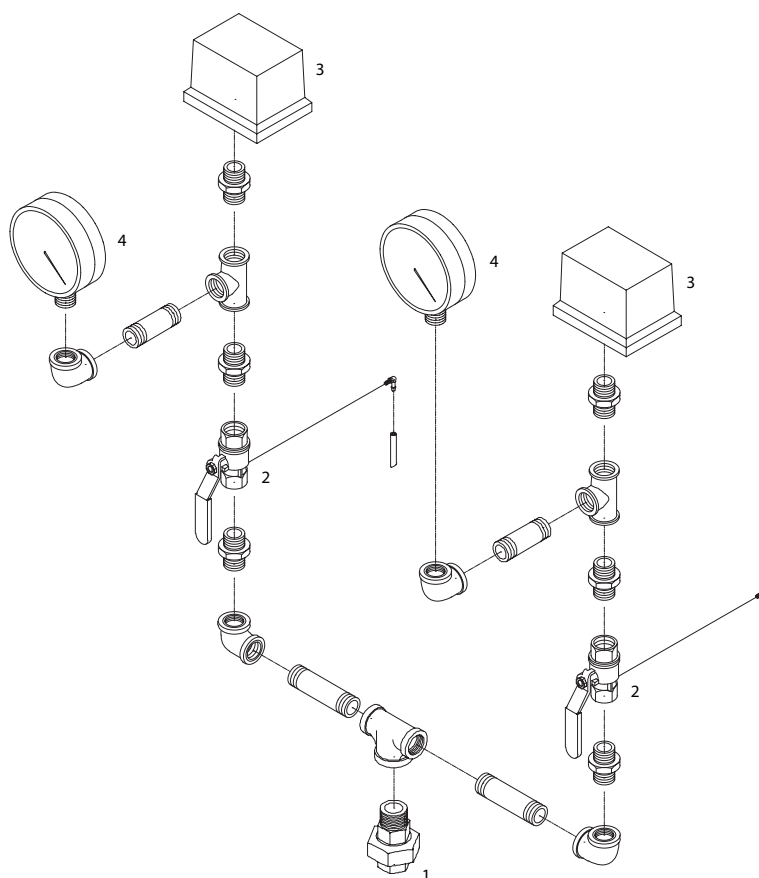
- Сигнализаторы давления для насосной станции
- Basınç Anahtarları, Pompaların Kontrolü İçin



CUSP

Control Unit Sprinkler Pump/Блок управления насосной станций для спринклерной установки/Sprinkler Pompası Kontrol Birimi

Art. Nr.	Nr.	Description Описание Tanımlama	VDS	CE
	1	Inlet: 3/4" Union Female BSP / Ввод Штуцер 3/4 дюйма, внутренняя резьба BSP / Giriş: Bağlantı 3/4" dişi /	✓	✓
	2	Ball Valve 1/2" / Шаровой кран 1/2 дюйма / Küresel Vana 1/2" /	✓	✓
CUSP000204	3	Pressure Switch FF4-10 / Сигнализаторы давления FF4-10 / Basınç Anahtarı FF4-10 /	✓	✓
	4	Pressure Gauge 0-16 Bar 1/2" / Манометр 0-16 бар 1/2 дюйма / Basınç Ölçeri 0-16 Bar 1/2" /	✓	✓



Supervisory Switches

- Индикаторы положения
- Pompa Tahriki İçin Basınç Anahtarları

Supervisory Switches Model PCVS

Индикаторы положения модель PCVS
Süpervizyon Anahtarları, Model PCVS



P. 4.021

Supervisory Switches Model OSYSU

Индикаторы положения модель OSYSU
Süpervizyon Anahtarları, Model OSYSU



P. 4.022

Supervisory Switches, Explosion Proof Model PIVS-U-EX

Индикаторы положения, взрывозащищенное исполнение, модель PIVS-U-EX
Süpervizyon Anahtarları, Patlamalara Karşı Dayanıklı Model PIVS-U-EX



P. 4.023

Supervisory Switches, Explosion Proof Model OSYS-U-EX

Индикаторы положения, взрывозащищенное исполнение, модель OSYS-U-EX
Süpervizyon Anahtarları, Patlamalara Karşı Dayanıklı Model OSYS-U-EX



P. 4.023

Monitor Switches Model I88

Концевой выключатель, модель I88
Monitör Anahtarları, Model I88



P. 4.024

Monitor Switches Model Biggy

Концевой выключатель, модель Biggy
Monitör Anahtarları, Model Biggy



P. 4.024

Supervisory Switches

- R** Индикаторы положения
- T** Süpervizyon anahtarları



PCVS

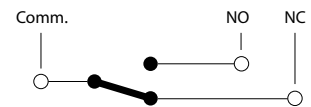
Model PCVS

Art. Nr.	Model Модель Model	Number of SPDT Contacts Количество контактов SPDT SPDT noktalarının sayısı	g Kg	UL	FM	CE
220	PCVS-1/2	1	0.70	✓	✓	✓
221	PCVS-1/2	2	0.70	✓	✓	✓

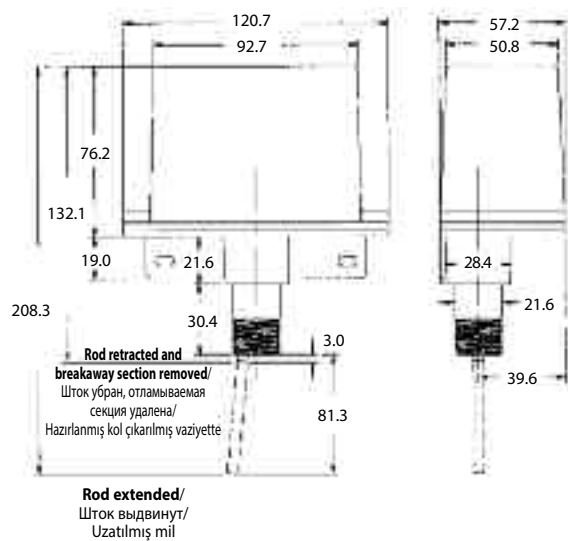
Features/Свойства/Özellikler

Description Описание Tanımlama

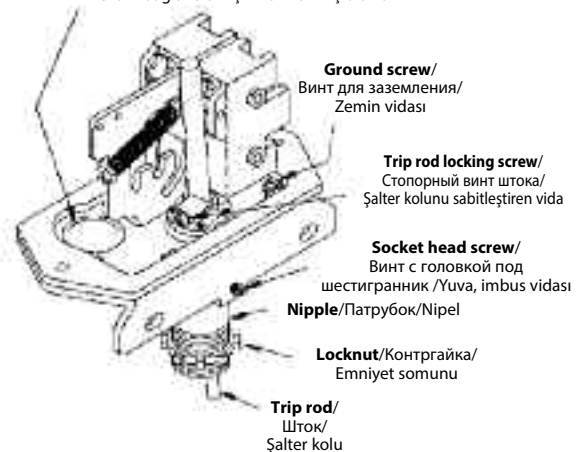
Connection/Тип соединения/Bağlama	1/2" NPT
IP Rating/Класс защиты IP/IP Değerlendirmesi	IP67
NEMA rating/Класс NEMA/NEMA koruma sınıfı	NEMA 4/6P
Temperature/Температура/Isı	-40 / + 60°C
Contacts/Контакты/İrtibatlar	SPDT [C] 15 A - 250VDC



PCVS-1 1x
PCVS-2 2x



knockouts for electrical connections/ Врезки для электрических соединений/ Elektrik bağlantıları için hazırlanmış oluklar



Supervisory Switches

- R** Индикаторы положения
- T** Süpervizyon anahtarları



OSYSU

Model OSYSU

Art. Nr.	Model Модель Model	Number of SPDT Contacts Количество контактов SPDT SPDT noktalarının sayısı	Kg	UL	FM	CE
217	OSYSU-1	1	0.90	✓	✓	✓
218	OSYSU-2	2	0.90	✓	✓	✓

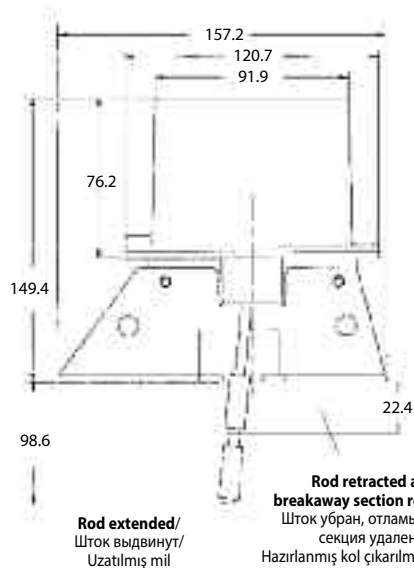
Features/Свойства/Özellikler

Description Описание Tanımlama

IP Rating/Класс защиты IP/IP Değerlendirmesi	IP67
NEMA rating/Класс NEMA/NEMA koruma sınıfı	NEMA 4/6P
Temperature/Температура/Isı	-40 / + 60°C
Contacts/Контакты/İrtibatlar	SPDT (C) 15 A - 125/250 VDC 2.5 A - 30 VDC



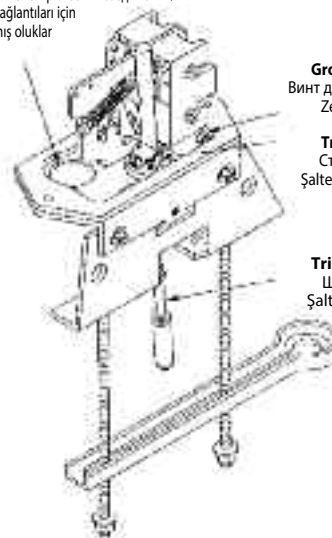
OSYSU-1 1x
OSYSU-2 2x



Rod extended/
Шток выдвинут/
Uzatılmış mil

**Rod retracted and
breakaway section removed/**
Шток убран, отламываемая
секция удалена/
Hazırlanmış kol çıkarılmış vaziyette

Knockouts for electrical connections/
Врезки для электрических соединений/
Elektrik bağlantıları için
hazırlanmış oluklar



Ground screw/
Винт для заземления/
Zemin vidası

Trip rod locking screw/
Стопорный винт штока/
Şalter kolunu sabitleştiren vida

Trip rod/
Шток/
Şalter kolu

Supervisory Switches Explosion Proof

- R** Индикаторы положения, взрывозащищенное исполнение
- T** Sûpervizyon Anahtarları, Patlamalara Dayanıklı



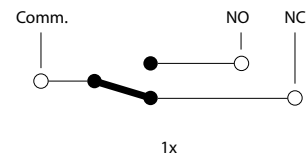
PIVS-U-EX



II2G Ex dIIC T6

Model PIVS-U-EX					
Art. Nr.	Model Модель Model	Number of SPDT Contacts Количество контактов SPDT SPDT noktalarının sayısı	Kg	ATEX	
225-072501	PIVS-U-EX	1	1.50	√	

Features/Свойства/Özellikler	
Description Описание Tanımlama	
Connection/Тип соединения/Bağlama	1/2" NPT
Temperature/Температура/Isı	-40 / + 60°C
Contacts/Контакты/Irtibatlar	SPDT [C]



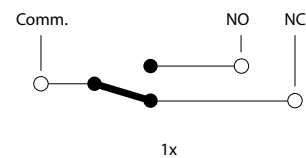
OSYS-U-EX



II2G Ex dIIC T6

Model OSYS-U-EX					
Art. Nr.	Model Модель Model	Number of SPDT Contacts Количество контактов SPDT SPDT noktalarının sayısı	Kg	UL	ATEX
214-072501	OSYS-U-EX	1	0.90	√	√

Features/Свойства/Özellikler	
Description Описание Tanımlama	
Connection/Тип соединения/Bağlama	1/2" NPT
Temperature/Температура/Isı	-40 / + 60°C
Contacts/Контакты/Irtibatlar	SPDT [C]

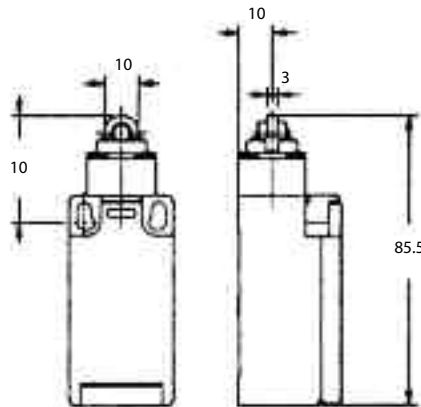


Monitor Switches

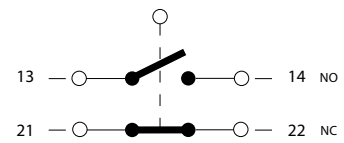
- R** Концевые выключатели
- T** Monitör Anahtarları



FIG. I88



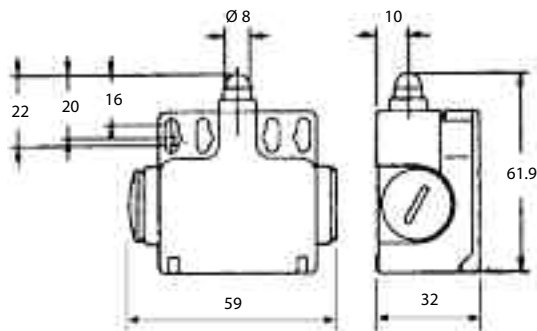
Model I88				
Art. Nr.	Model Модель Model	Kg	CE	UL
997908	I88	0.07	✓	✓



Features/Свойства/Özellikler	
Description Описание Tanımlama	
Connection/Тип соединения/Bağlama	-
IP Rating/Класс защиты IP/IP Değerlendirmesi	IP65
NEMA rating/Класс NEMA/NEMA koruma sınıfı	-
Temperature/Температура/Isı	-30 / + 80°C
Contacts/Контакты/Irtibatlar	10 A - 500 VAC



BIGGY



Model BIGGY				
Art. Nr.	Model Модель Model	Kg	CE	UL
999887	BIGGY	0.08	✓	✓

Features/Свойства/Özellikler	
Description Описание Tanımlama	
Connection/Тип соединения/Bağlama	-
IP Rating/Класс защиты IP/IP Değerlendirmesi	IP65
NEMA rating/Класс NEMA/NEMA koruma sınıfı	-
Temperature/Температура/Isı	-30 / + 70°C
Contacts/Контакты/Irtibatlar	10 A - 500 VAC

Flow Meters

R Расходомеры

T Akış Ölçerleri

Flow Meters Model Venturi

Расходомеры, модель Venturi
Akış Ölçerleri, Model Venturi



P. 4.026

Flow Meters Model MAGFLO

Расходомеры, модель MAGFLO
Akış Ölçerleri, Model MAGFLO



P. 4.027

Flow Meters Model TUBUX

Расходомеры, модель TUBUX
Akış Ölçerleri, Model TUBUX



P. 4.028

Flow Meters Model INFLUX

Расходомеры, модель INFLUX
Akış Ölçerleri, Model INFLUX



P. 4.029

Flow Meters

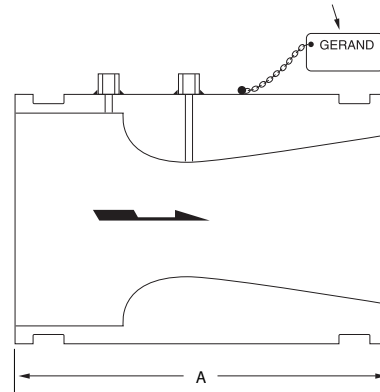
Ⓡ Расходомеры

Ⓣ Akış Ölçerleri



VENTURI

Metal identification tag/Металлическая идентификационная бирка/Metal İsim Etiket



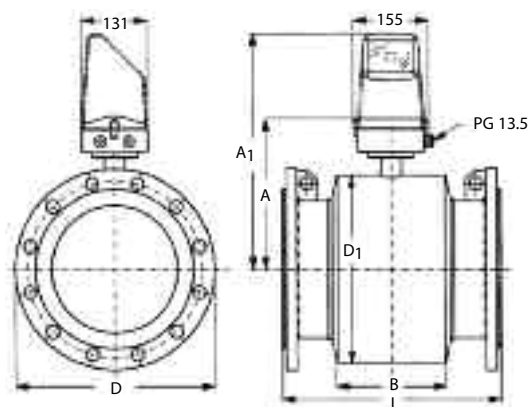
Model Venturi, butt weld, grooved ends/Модель Venturi, для приваривания, гравлочное соединение/Model Venturi, yivli veya kaynaklı

Art. Nr.	Size Размер Boy		Pump Capacity Производительность насоса Pompa Kapasitesi	Flow Range Диапазон расхода Akış Aralığı		Dim. A	Required straight pipe length [mm] Требуемая длина прямого отрезка трубы [мм] Gerekli Düz Boru Uzunluğu [mm]		Kg	FM	
	DN	mm		[GPM]	LPM		GPM	Before/До/Önce			After/После/Sonra
K010000734	65	2.1/2"	73.0	100	189-757	50-200	101.6	365	146	4.0	✓
K015000894	80	3"	89.0	150	284-1135	75-300	111.1	445	178	8.0	✓
K020000894	80	3"	89.0	200	378-1514	100-400	111.1	445	178	8.0	✓
K025001144	100	4"	114.3	250	473-1892	125-500	95.3	570	228	8.0	✓
K030001144	100	4"	114.3	300	567-2271	150-600	95.3	570	228	8.0	✓
K045001144	100	4"	114.3	450	851-3406	225-900	95.3	570	228	8.0	✓
K050001414	125	5"	141.3	500	946-3785	250-1000	127.0	695	278	8.5	✓
K075001684	150	6"	168.3	750	1419-5677	375-1500	152.4	840	336	8.5	✓
K100001684	150	6"	168.3	1000	1892-7570	500-2000	152.4	840	336	8.5	✓
K125001684	150	6"	168.3	1250	2365-9462	625-2500	152.4	840	336	8.5	✓
K150002194	200	8"	219.1	1500	2838-11355	750-3000	177.8	1095	438	10.5	✓
K200002194	200	8"	219.1	2000	3785-15140	1000-4000	177.8	1095	438	10.5	✓
K250002194	200	8"	219.1	2500	4731-18925	1250-5000	177.8	1095	438	10.5	✓
K300002194	200	8"	219.1	3000	5677-22710	1500-6000	177.8	1095	438	10.5	✓
K350002734	250	10"	273.0	3500	6623-26495	1750-7000	203.2	1365	546	13.0	✓
K400002734	250	10"	273.0	4000	7570-30280	2000-8000	203.2	1365	546	13.0	✓
K450002734	250	10"	273.0	4500	8516-34065	2250-9000	203.2	1365	546	13.0	✓
K500003244	300	12"	323.9	5000	9462-37850	2500-10000	304.8	1620	648	18.0	✓

Flow Meters, Electromagnetic

Ⓡ Расходомеры, электромагнитные

Ⓣ Akış Ölçerleri, Elektromanyetik



Model MAGFLO

Art. Nr.	DN	A	A1	B	D	D1	L	Flow Range Диапазон расхода Akış Aralığı l/m	Flange/Flange Фланец/Фланец Flanş	Kg	UL	FM	CE	IPCB	VdS	
																mm
MAGFLO0768	65	2.1/2"	212	363	72	185	154	200	0 - 2000	PN16	12	✓	✓	✓	✓	✓
MAGFLO0898	80	3"	222	373	72	200	174	200	0 - 3000	PN16	12	✓	✓	✓	✓	✓
MAGFLO1148	100	4"	242	393	85	220	214	250	0 - 4667	PN16	16	✓	✓	✓	✓	✓
MAGFLO1398	125	5"	255	406	85	250	239	250	0 - 7333	PN16	19	✓	✓	✓	✓	✓
MAGFLO1688	150	6"	276	427	85	285	282	300	0 - 10600	PN16	27	✓	✓	✓	✓	✓
MAGFLO2197	200	8"	304	455	137	340	338	350	0 - 18833	PN10	40	✓	✓	✓	✓	✓
MAGFLO2737	250	10"	332	483	137	395	393	450	0 - 29333	PN10	55	✓	✓	✓	✓	✓

Required straight pipe length [mm] before: 5D/Требуемая длина прямого отрезка трубы [мм] до: 5D, Мин. /Gerekli olan düz hat boru uzunluğu [mm], önce: 5D/Min.

Required straight pipe length [mm] after: 3D/Требуемая длина прямого отрезка трубы [мм] после: 3D, Мин. /Gerekli olan düz hat boru uzunluğu [mm] sonra: 3D/Min.

Optional equipments/Дополнительное оборудование/Isteğe Bağlı ekipmanlar

Art. Nr.	Description Описание Tanımlama
MAGFLOBRAC	Wall Bracket/Монтажный комплект для крепления дисплея на стену/Duvar Mesnedi
MAGFLOCABE	Extension Cable/Кабель для подключения при раздельной установке дисплея/Uzatma Kabloğu

Flow Meters

R Расходомеры

T Akış Ölçerleri



TUBUX

Model Tubux

Art. Nr.	DN	PN [Bar]	Description Описание Tanımlama	Tmax [°C]	Ø Kg	VDS
TL40001G	-	-	10 Measuring Device /Измерительное устройство/Ölçme Ekipmanı	70	2.5	√
TLLM00897G	80	3"	10 Meter Valve Wafer for PN10/16 /Межфланцевая диафрагма для PN10/16/PN10/16 için Ölçme Plakası	70	1.3	√
TLLM01147G	100	4"	10 Meter Valve Wafer for PN10/16 /Межфланцевая диафрагма для PN10/16/PN10/16 için Ölçme Plakası	70	2.0	√
TLLM01687G	150	6"	10 Meter Valve Wafer for PN10/16 /Межфланцевая диафрагма для PN10/16/PN10/16 için Ölçme Plakası	70	2.2	√
TLLM02197G	200	8"	10 Meter Valve Wafer for PN10 /Межфланцевая диафрагма для PN10/PN10 için Ölçme Plakası	70	2.5	√
TLLM02737G	250	10"	10 Meter Valve Wafer for PN10 /Межфланцевая диафрагма для PN10/PN10 için Ölçme Plakası	70	2.8	√

Model Tubux

Measuring Device Измерительное устройство Ölçme Ekipmanı %	Flow L/min./Расход л/мин/Аkış Hızı L/min				
	DN80	DN100	DN150	DN200	DN250
100	2.100	3.000	6.000	12.000	18.000
98	2.058	2.940	5.880	11.760	17.640
96	2.016	2.880	5.760	11.520	17.280
94	1.974	2.820	5.640	11.280	16.920
92	1.932	2.760	5.520	11.040	16.560
90	1.890	2.700	5.400	10.800	16.200
88	1.848	2.640	5.280	10.560	15.840
86	1.806	2.580	5.160	10.320	15.480
84	1.764	2.520	5.040	10.080	15.120
82	1.722	2.460	4.920	9.840	14.760
80	1.680	2.400	4.800	9.600	14.400
78	1.638	2.340	4.680	9.360	14.040
76	1.596	2.280	4.560	9.120	13.680
74	1.554	2.220	4.440	8.880	13.320
72	1.512	2.160	4.320	8.640	12.960
70	1.470	2.100	4.200	8.400	12.600
68	1.428	2.040	4.080	8.160	12.240
66	1.386	1.980	3.960	7.920	11.880
64	1.344	1.920	3.840	7.680	11.520
62	1.302	1.860	3.720	7.440	11.160
60	1.260	1.800	3.600	7.200	10.800
58	1.218	1.740	3.480	6.960	10.440
56	1.176	1.680	3.360	6.720	10.080
54	1.134	1.620	3.240	6.480	9.720
52	1.092	1.560	3.120	6.240	9.360
50	1.050	1.500	3.000	6.000	9.000
48	1.008	1.440	2.880	5.760	8.640
46	966	1.380	2.760	5.520	8.280
44	924	1.320	2.640	5.280	7.920
42	882	1.260	2.520	5.040	7.560
40	840	1.200	2.400	4.800	7.200
35	735	1.050	2.100	4.200	6.300
30	630	900	1.800	3.600	5.400
25	525	750	1.500	3.000	4.500
20	420	600	1.200	2.400	3.600

Flow Meters

- R** Расходомеры
- T** Akış Ölçerleri



INFLUX

Model Influx

Art. Nr.	DN	Type Тип Tür	Flow Расход Akış	Straight Pipe before & after Длина прямого отрезка трубы до и после Düz Boru, önce ve sonra		F-F mm	FM LPCB
				mm	mm		
F3/1	50	2"	Wafer /Межфланцевый/Wafer	150-700 LPM	250	40	√
F3/2	80	3"	Wafer /Межфланцевый/Wafer	300-1600 LPM	400	40	√
F3/3	100	4"	Wafer /Межфланцевый/Wafer	500-3500 LPM	500	40	√
F3/4	150	6"	Wafer /Межфланцевый/Wafer	900-7900 LPM	750	40	√
F3/5	200	8"	Wafer /Межфланцевый/Wafer	2000-15000 LPM	1000	40	√
F3/6	50	2"	Grooved /Грувлочное соединение/Yivli	150-700 LPM	250	90	√
F3/7	80	3"	Grooved /Грувлочное соединение/Yivli	300-1600 LPM	400	90	√
F3/8	100	4"	Grooved /Грувлочное соединение/Yivli	500-3500 LPM	500	90	√
F3/9	150 [165,0mm]	6"	Grooved /Грувлочное соединение/Yivli	900-7900 LPM	750	90	√
F3/9 FM	150 [168,3mm]	6"	Grooved /Грувлочное соединение/Yivli	1000-7500LPM	750	90	√
F3/10	200	8"	Grooved /Грувлочное соединение/Yivli	2000-15000 LPM	1000	100	√

Water Tank Equipment

- R Оборудование для пожарных резервуаров
- T Su Deposu Ekipmanı

Water Tank Equipment Model FST-A

Оборудование для пожарных резервуаров, модель FST-A
Su Deposu Ekipmanı, Model FST-A



P. 4.031

Water Tank Equipment Model FST-B

Оборудование для пожарных резервуаров, модель FST-B
Su Deposu Ekipmanı, Model FST-B



P. 4.031

Feeding Tank

Снабжающий резервуар
Ara Besleme Tankı



P. 4.032

Float Switch for Level Regulation and Pump Control

Поплавковое реле для регулировки уровня и управления насосом
Seviye Düzenleme ve Pompa Kontrolü için Şamandıra Anahtarı



P. 4.033

Water Feeding Device

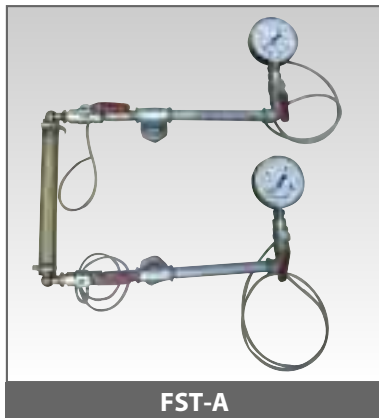
Устройство подачи воды
Su Besleme Cihazı



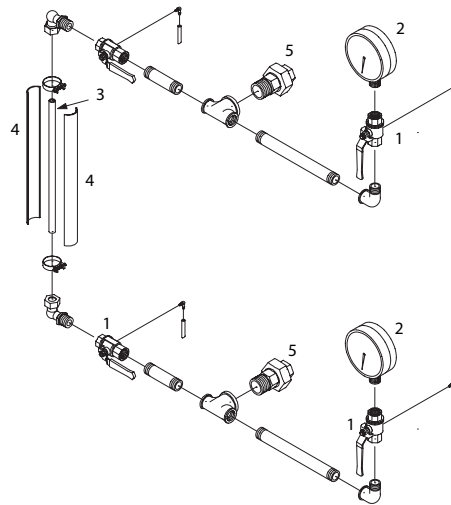
P. 4.033

Water Tank Equipment

- R** Оборудование для пожарных резервуаров
- T** Su Deposu Ekipmanı



FST-A

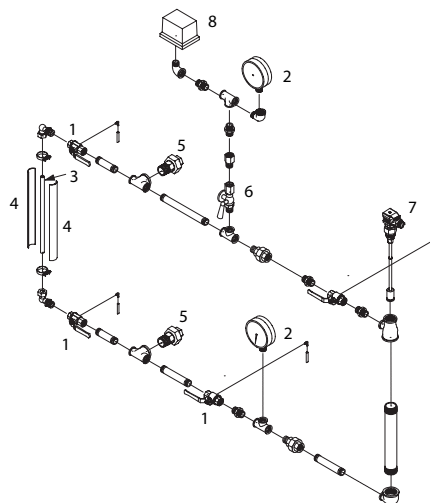


Water Level Indicator for Air Pressurized Water Tank, Type A/Индикатор уровня воды для пожарных резервуаров с атмосферным давлением, тип А/Hava Basıncılı Su Deposu İçin Su Seviyesi Göstergesi

Art. Nr.	Nr.	Description Описание Tanımlama	VDS
	1	Ball Valve 1/2" / Шаровой кран 1/2 дюйма / Küresel Vana 1/2"	✓
	2	Pressure Gauge 0-16 Bar 1/2" / Манометр 0-16 бар 1/2 дюйма / Basınç Ölçeri 0-16 Bar 1/2"	✓
FSTA021AGR	3	Level Indicator Pipe PN10 Ø12 mm, Length 480 mm / Трубка для индикации уровня PN10 Ø12 мм, длина 480 мм / Seviye Göstergesi PN Ø12 mm, lg. 480 mm	✓
	4	Protection Tube, Length 450 mm / Защитная трубка, длина 450 мм / Koruma Borusu, Uzunluk 450 mm	✓
	5	Union 1" Female / Штуцер 1 дюйм внутренняя резьба / Birleşme Bağlantıları 1" Dişi	✓



FST-B



Water Level Indicator for Air Pressurized Water Tank, Type B/Индикатор уровня воды для пожарных резервуаров с атмосферным давлением, тип Б/Hava Basıncılı Su Tankı İçin Su Seviyesi Göstergesi

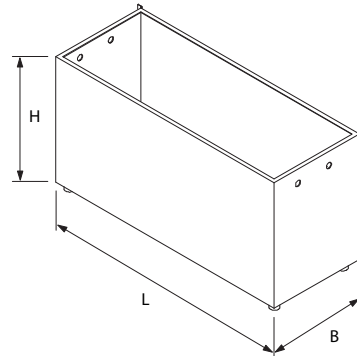
Art. Nr.	Nr.	Description Описание Tanımlama	VDS
	1	Ball Valve 1/2" / Шаровой кран 1/2 дюйма / Küresel Vana 1/2"	✓
	2	Pressure Gauge 0-16 Bar 1/2" / Манометр 0-16 бар 1/2 дюйма / Basınç Ölçeri 0-16 Bar 1/2"	✓
	3	Level Indicator Pipe PN10 Ø12 mm, Length 480 mm / Трубка для индикации уровня PN10 Ø12 мм, длина 480 мм / Seviye Göstergesi PN Ø12 mm, lg. 480 mm	✓
	4	Protection Tube, Length 450 mm / Защитная трубка, длина 450 мм / Koruma Borusu, Uzunluk 450 mm	✓
FSTA021BGR	5	Unions 1" BSP Male / Штуцер 1 дюйм наружная резьба BSP / Birleşme Bağlantıları 1" BSP Erkek	✓
	6	Valve with Test Flange 1/2" / Клапан с тестовым фланцем 1/2 дюйма / Test Flanşlı Vana 1/2"	✓
	7	Float Switch 1" BSP / Поплавковое реле 1 дюйм BSP / Şamandıra Anahtarı 1" BSP	✓
	8	Pressure Switch FF4-10 1/2" / Сигнализатор давления FF4-10 1/2 дюйма / Basınç Anahtarı FF4-10 1/2"	✓

Water Tank Equipment

- R** Оборудование для пожарных резервуаров
- T** Su Tankı Ekipmanı



FEEDING TANK



Feeding Tank Hot Dip Galvanized/Снабжающий резервуар, оцинкованный горячим способом/Besleme Tankı, Sıcak Daldırmalı Galvanize

Art. Nr.	Volume Объем Hacim	L mm	B mm	H mm	Kg
TANK100WOV	100 l.	1000	400	425	45
TANK200WOV	200 l.	1100	450	530	52
TANK500WOV	500 l.	1500	550	500	110

Float Valve/Поплавковый клапан/Seviye Kontrol Vanaları

Art. Nr.	DN	Description Описание Tanımlama	Kg
FLOAT00340	25	Float Valve including Float Ball, BSP Male/Поплавковый клапан с шаровым поплавком, BSP наружная резьба/Seviye Kontrol Vanası + Şamandıra, BSP Erkek	1.4

Water Tank Equipment

- Ⓡ Оборудование для пожарных резервуаров
- Ⓣ Su Tankı Ekipmanı



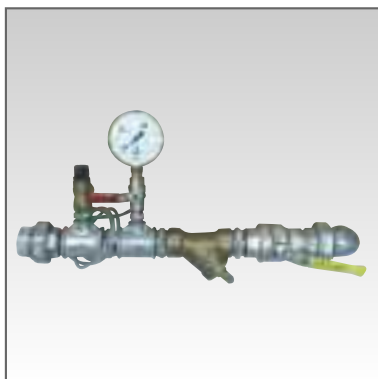
FLOAT SWITCH

Float Switch for Level Regulations and Pump Control/Поплавковое реле для регулировки уровня и управления насосом/Seviye Düzenleme ve Pompa Kontrolü için Şamandıra Anahtar

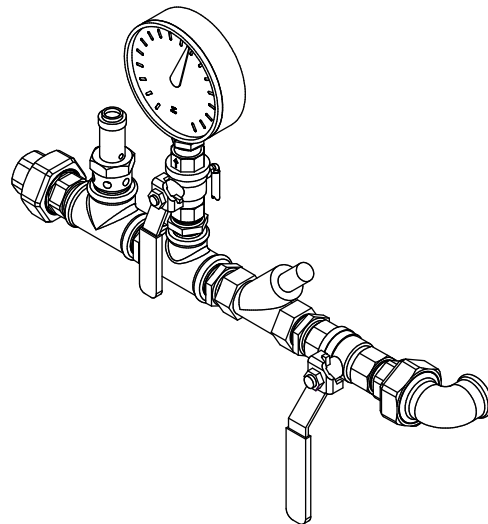
Art. Nr.	Cable Length [m] Длина кабеля [m] Kablo Uzunluğu [m]	MA x T °C	Cable Кабель Kablo
19000500	0.50	50	3 x 1 mm ² , max. 10A
19020000	2.00	50	3 x 1 mm ² , max. 10A
19030000	3.00	50	3 x 1 mm ² , max. 10A
19050000	5.00	50	3 x 1 mm ² , max. 10A
19100000	10.00	50	3 x 1 mm ² , max. 10A
19150000	15.00	50	3 x 1 mm ² , max. 10A
19200000	20.00	50	3 x 1 mm ² , max. 10A

Water Tank Equipment

- Ⓡ Оборудование для пожарных резервуаров
- Ⓣ Su Tankı Ekipmanı



FEEDING DEVICE



Water Tank Equipment/Оборудование для пожарных резервуаров/Su Tankı Ekipmanı

Art. Nr.	Description Описание Tanımlama	VDS*
WE048DLWKG	Water feeding Device 1.1/2" / Устройство подачи воды 1.1/2 дюйма / Su besleme Cihazı 1,1/2"	✓
LE027DLWKG	Air feeding Device 3/4" / Устройство подачи воздуха 3/4 дюйма / Hava besleme Cihazı 3/4"	✓

*When combined with VdS approved valve / При использовании с клапаном, утвержденным VdS / VdS onaylı vana ile birlikte

Water Supplies Proving Equipment

- R** Поверочное оборудование для подачи воды
- T** Besleme Suyunun Kontrol Ekipmanları

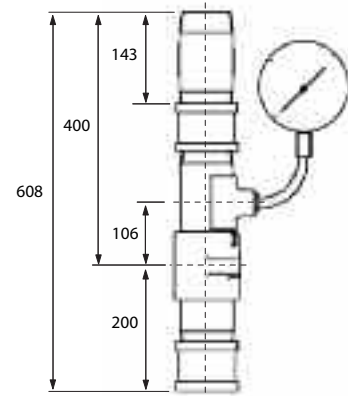


PROVING PIPES



AS.128

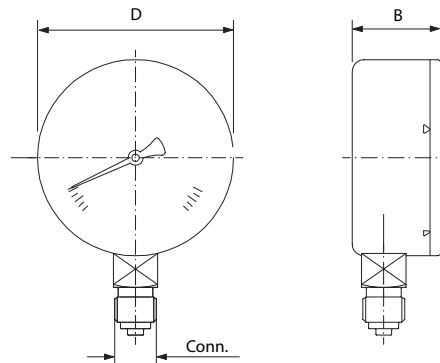
Body: Malleable Iron, Galvanized, Mild Steel, Noryl, ABS
Корпус: Ковкий чугун, оцинковка, углеродистая сталь, Noryl, ABS
Gövde: Şekillendirilir Demir, Galvanize, Yumuşak Çelik, Noryl, ABS



Art. Nr.	Hazard Group Классификация помещения Tehlike Sinifi	Inlet BSPT Male Вход BSPT наружная резьба Giriş BSPT, Erkek	Outlet BSP Female Выход BSP внутренняя резьба Çıkış BSP, Dişi	Gauge readings (Dm ³ /Min) Показания манометра (Дм ³ /мин) Manometre Okunuşu (Dm ³ /Min) 1st 2nd	Ø Kg	PCB	
01308	XLH	3"	3"	275	-	7.0	✓
01309	OH1	3"	3"	375	540	7.0	✓
01310	OH2	3"	3"	725	1000	7.0	✓
01311	OH3	3"	3"	1100	1350	7.0	✓
01312	OH3 Special	3"	3"	1800	2100	7.0	✓
01313	XHH 7.5 mm/min	3"	3"	2300	-	7.0	✓
01333	XHH 10 mm/min	3"	3"	3050	-	7.0	✓



GAUGE



Art. Nr.	Connection Тип соединения Bağlantı	Meter Range Диапазон измерения Metre Aralığı	Type Тип Tip	Material Материал Urun	D mm	B mm	Ø Kg	UL	FM
025500013	1/4" NPT	0-400 Psi	Dry/Без заполнения/Kuru	Black/Черный/Siyah	94	46	0.4		✓
923431012	1/4" NPT	0-300 Psi	Dry/Без заполнения/Kuru	ABS/ABS/ABS	94	29	0.15	✓	✓
2135338	3/8" ISO	0-16 Bar	Glycerin/С глицерином/Gliserin	St. Steel/Нерж. сталь/Paslanmaz Çelik	100	46	0.35		
7125411	1/2" ISO	0-16 Bar	Dry/Без заполнения/Kuru	Steel/Сталь/Çelik	100	46	0.4		
7125411G	1/2" ISO	0-16 Bar	Glycerin/С глицерином/Gliserin	St. Steel/Нерж. сталь/Paslanmaz Çelik	100	46	0.8		
7125411G63	1/4" ISO	0-16 Bar	Glycerin/С глицерином/Gliserin	St. Steel/Нерж. сталь/Paslanmaz Çelik	63	46	0.8		
7125438	1/2" ISO	0-16 Bar	Dry/Без заполнения/Kuru	Steel/Сталь/Çelik	100	46	0.4		
7125454	1/4" NPT	0-10 Bar	Dry/Без заполнения/Kuru	Steel/Сталь/Çelik	100	46	0.4		
2161086	1/2" ISO	-1-3 Bar	Glycerin/С глицерином/Gliserin	St. Steel/Нерж. сталь/Paslanmaz Çelik	100	50	0.8		
W01000110	1/2" ISO	0-25 Bar	Dry/Без заполнения/Kuru	Steel/Сталь/Çelik	100	46	0.4		
9296808*	1/2" ISO	0-16 Bar	Dry/Без заполнения/Kuru	Steel/Сталь/Çelik	100	46	0.6		

*Gauge also includes pressure switch/
 *Манометр также включает сигнализатор давления/
 *Ölçer basınç anahtarı içermektedir

Other options available on request/
 Другие варианты доступны под заказ/
 Diğer seçenekler talep üzerine temin edilir.

Pressure Reader Figure Maxant

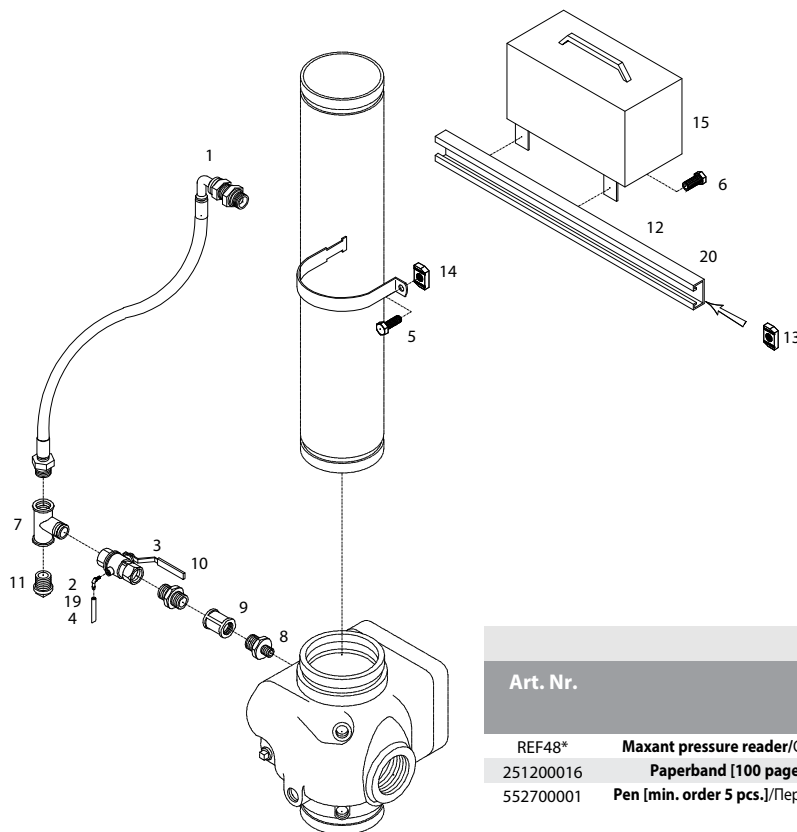
- Ⓡ Устройство для считывания показаний давления, модель Maxant
- Ⓣ Basınç Okuyucusu, Figure Maxant



MAXANTKIT

Maxantkit assembly/Комплект Maxant в сборе/Maxantkit kurulumu

Art. Nr.	Connection Тип соединения Bağlantı	DN	Pmax	Adjustment Range Диапазон регулировки Ayarlama Aralığı	Voltage Напряжение Voltaj	Accuracy Точность Doğruluk
MAXANTKIT	1/2" BSP	100, 150, 200	16 Bar	1 day, 7 days/ 1 день, 7 дней/ 1 gün, 7 gün	1.5 V Battery/ Батарея 1,5 V 1,5 V Pil	±1% Pmax



Part. Nr.	Qty.	Product Nr.
1	1	2111000
2	1	406012
3	1	59304FO
4	5	713700
5	2	933512X25
6	2	93356X20
7	1	A133D2
8	1	A245DB2
9	1	A270D2
10	1	A280D2
11	1	A290D2
12	2	MCF2F
13	2	PNP06ZP
14	2	PNP12AZP
15	1	REF48
16	1	SS2/KH
17	1	SS2/MH
18	1	SS2/NH
19	1	WS00000004
20	1	WS000000035

Spares

Art. Nr.	Description Описание Tanımlama
REF48*	Maxant pressure reader/Считыватель давления Maxant/Maxant basınç okuyucusu
251200016	Paperband [100 pages]/Бумажная лента [100 страниц]/Kağıt bandı [100p]
552700001	Pen [min. order 5 pcs.]/Перо [мин. заказ 5 шт.]/Kalem [en az 5 adet sipariş edilmektedir]

*Includes 251200016 and 552700001 / Включает 251200016 и 552700001 / 251200016 ve 552700001 dahil

Electric Bells

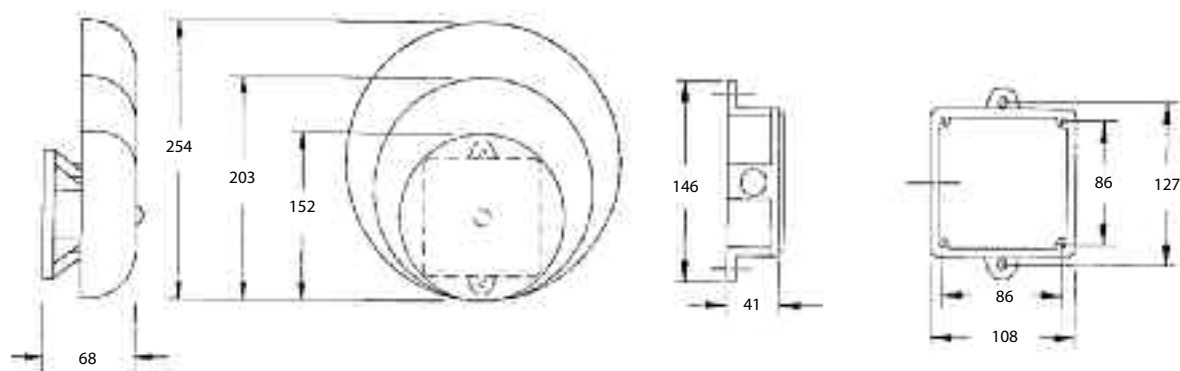
- R** Электрические звонки
- T** Elektronik Ziller



PAB-AC & PBD-DC

Model PAB-AC & PBD-DC

Art. Nr.	ØD mm	Model Модель Model	Voltage Напряжение Voltaj	Current [max.] A Ток [макс.] A Akis [azami] A	dB 3 mtrs.	Weight Kg	FM	UL
25001680	152	PBA246	24 VAC	0.17	91	1.2	✓	✓
25001681	152	PBA1206	120 VAC	0.05	92	1.2	✓	✓
25001682	152	PBD246	24 VDC	0.06	87	1.2	✓	✓
25002190	203	PBA248	24 VAC	0.17	94	1.2	✓	✓
25002191	203	PBA1208	120 VAC	0.05	99	1.2	✓	✓
25002192	203	PBD248	24 VDC	0.06	91	1.2	✓	✓
25002730	254	PBA2410	24 VAC	0.17	94	1.2	✓	✓
25002731	254	PBA12010	120 VAC	0.05	99	1.2	✓	✓
25002732	254	PBD2410	24 VDC	0.06	91	1.5	✓	✓



Sprinkler Pipes & Fittings

- Трубы и фитинги для спринклерных систем
- Sprinkler Boruları ve Fitingleri

BlazeMaster® CPVC Pipe and Fittings

Трубы и фитинги BlazeMaster® из ХПВХ
BlazeMaster® CPVC Boruları ve Fitingleri



P. 6.002

MLC-S Sprinkler Pipe and Fittings for concrete floors

Трубы и фитинги MLC-S для спринклерных систем (для бетонных полов)
Beton Zeminler için MLC-S Sprinkler Boruları ve Fitingleri



P. 6.024

G-Press press-fitting system for fire protection solutions

Система G-Press для установок пожаротушения
Yangın koruma çözümleri için G-Press pres-fiting sistemi



P. 6.040

CPVC Pipes & Fittings

🇷🇺 Трубы и фитинги из ХПВХ

🇹🇷 CPVC Boruları ve Fitingleri

BlazeMaster® CPVC Pipes

Трубы ХПВХ BlazeMaster®
BlazeMaster® CPVC Boruları



P. 6.003

BlazeMaster® CPVC Fittings

Фитинги ХПВХ BlazeMaster®
BlazeMaster® CPVC Fitingleri



P. 6.004

BlazeMaster® CPVC Miscellaneous

Комплекующие ХПВХ BlazeMaster®
BlazeMaster® CPVC Yardımcı Ürünler



P. 6.018

BlazeMaster® CPVC Pipes

● Трубы ХПВХ BlazeMaster®

● BlazeMaster® CPVC Boruları



PIPES



TFP 1915 / IH-1900

Pipes/Трубы/Borular

Art. Nr.	DN	OD mm	ID mm	L m	kg	LPCB	FM	UL	VDS
80300T	20 3/4"	26.7	22.7	3.05	0.6	✓	✓	✓	✓
80301T	25 1"	33.4	28.5	3.05	0.9	✓	✓	✓	✓
80302T	32 1.1/4"	42.1	35.9	3.05	1.4	✓	✓	✓	✓
80303T	40 1.1/2"	48.3	41.1	3.05	1.8	✓	✓	✓	✓
80304T	50 2"	60.3	51.4	3.05	2.9	✓	✓	✓	✓
80305T	65 2.1/2"	73.0	62.2	3.05	2.9	✓	✓	✓	✓
80306T	80 3"	88.9	75.7	3.05	6.3	✓	✓	✓	✓

BlazeMaster® CPVC Fittings

® Фитинги ХПВХ BlazeMaster®

™ BlazeMaster® CPVC Fitingleri

Elbow 45°

Отвод 45°

Dirsek 45°



P. 6.006

Elbow 90°

Отвод 90°

Dirsek 90°



P. 6.006

Elbow 90° Reducing

Отвод 90° переходной

Redüksiyon Dirsek 90°



P. 6.007

Tee Equal

Тройник равнопроходной

Eşit Te



P. 6.007

Cross Equal

Крестовина равнопроходная

Eşit İstavroz



P. 6.008

Cross Reducing

Крестовина переходная

İstavroz Redüksiyon



P. 6.008

Coupling Equal

Муфта равнопроходная

Eşit Kaplin



P. 6.009

Coupling Reducing

Муфта переходная

Redüksiyon Kaplin



P. 6.009

End Cap Slip

Заглушка

Sonlama Kör Tapası



P. 6.010

Tees Reducer

Тройник переходной

Redüksiyon T



P. 6.011

Reducing Bush

Втулка переходная

Redüksiyon Adaptör



P. 6.012

BlazeMaster® CPVC Fittings

® Фитинги ХПВХ BlazeMaster®

™ BlazeMaster® CPVC Fitingleri

Adaptors

Переходники
Adaptörler



P. 6.012

Threaded Adaptors

Резьбовые переходники
Dişli Adaptörler



P. 6.013

Threaded Adaptors

Резьбовые переходники
Dişli Adaptörler



P. 6.013

Sprinkler Head Adaptors

Переходники для спринклеров
Sprinkler Başlığı Adaptörleri



P. 6.014

Sprinkler Head Adaptors

Переходники для спринклеров
Sprinkler Başlığı Adaptörleri



P. 6.014

Sprinkler Head Adaptors

Переходники для спринклеров
Sprinkler Başlığı Adaptörleri



P. 6.015

Sprinkler Head Adaptors

Переходники для спринклеров
Sprinkler Başlığı Adaptörleri



P. 6.015

Sprinkler Head Tees

Тройники для спринклеров
Sprinkler Başlığı T Ekleri



P. 6.016

Sprinkler Head Adaptor

Переходник для спринклеров
Sprinkler Başlığı Adaptörü



P. 6.016

Back-To-Back Sprinkler Tee

Тройник для спринклеров, установленных "спина к спине")
Sirt Sirta Sprinkler, T Eki



P. 6.017

Back-To-Back Sprinkler Cross

Крестовина для спринклеров, установленных "спина к спине")
Sirt Sirta Sprinkler Çapraz



P. 6.017

BlazeMaster® CPVC Fittings

● Фитинги ХПВХ BlazeMaster®

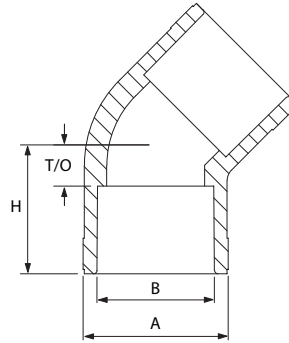
● BlazeMaster® CPVC Fitingleri



ELBOWS 45°



TFP 1915 / IH-1900



Elbows, 45° Slip x Slip/Отвод, 45° под клевое соединение/Dirsekler, 45° Slip x Slip

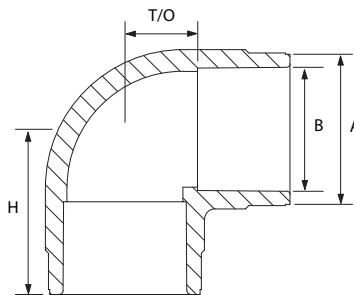
Art. Nr.	B DN	A mm	H mm	T/O mm	⊖ Kg	LPCB	FM	UL	VDS
80050	20 3/4"	33	30	9	0.036	✓	✓	✓	✓
80051	25 1"	40	33	9	0.050	✓	✓	✓	✓
80052	32 1.1/4"	50	47	20	0.091	✓	✓	✓	✓
80053	40 1.1/2"	59	48	12	0.141	✓	✓	✓	✓
80054	50 2"	72	59	19	0.254	✓	✓	✓	✓
80055	65 2.1/2"	89	62	19	0.404				
80056	80 3"	106	75	25	0.504				



ELBOWS 90°



TFP 1915 / IH-1900



Elbows, 90° Slip x Slip/Отвод, 90° под клевое соединение/Dirsekler, 90° Slip x Slip

Art. Nr.	B DN	A mm	H mm	T/O mm	⊖ Kg	LPCB	FM	UL	VDS
80025	20 3/4"	33	36	16	0.041	✓	✓	✓	✓
80026	25 1"	40	43	19	0.063	✓	✓	✓	✓
80027	32 1.1/4"	50	50	23	0.095	✓	✓	✓	✓
80028	40 1.1/2"	59	62	27	0.181	✓	✓	✓	✓
80029	50 2"	72	74	33	0.358	✓	✓	✓	✓
80030	65 2.1/2"	87	85	39	0.517	✓	✓		
80031	80 3"	105	95	46	0.825	✓	✓		

BlazeMaster® CPVC Fittings

● Фитинги ХПВХ BlazeMaster®

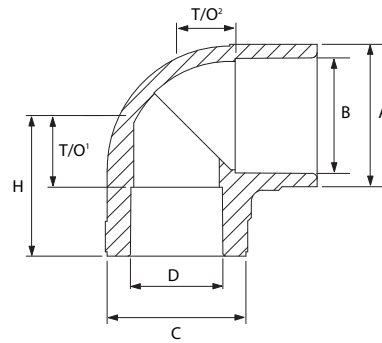
● BlazeMaster® CPVC Fitingleri



ELBOW 90° REDUCING



TFP 1915 / IH-1900



Elbow Reducing, 90° Slip x Slip/Отвод переходной 90° под клеевое соединение/Redüksiyon Dirsekler 90° Slip x Slip

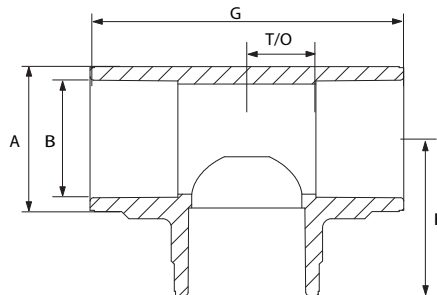
Art. Nr.	B DN	D DN	A mm	C mm	H mm	T/O¹ mm	T/O² mm	⊖ Kg	LPCB	FM	UL	VDS
80032	25 1"	20 3/4"	40	40	41	1	17	0.073	✓	✓	✓	✓



TEE EQUAL



TFP 1915 / IH-1900



Tee, Equal Slip x Slip x Slip/Тройник равнопроходной под клеевое соединение/Te x Eşit Slip x Slip

Art. Nr.	B DN	A mm	H mm	G mm	T/O mm	⊖ Kg	LPCB	FM	UL	VDS
80000	20 3/4"	33	36	72	16	0.050	✓	✓	✓	✓
80001	25 1"	40	40	81	18	0.086	✓	✓	✓	✓
80002	32 1.1/4"	50	48	95	22	0.118	✓	✓	✓	✓
80003	40 1.1/2"	59	62	125	27	0.231	✓	✓	✓	✓
80004	50 2"	72	75	150	36	0.408	✓	✓	✓	✓
80005	65 2.1/2"	87	86	171	39	0.721	✓	✓		
80006A	80 3"	105	95	191	46	1.093	✓	✓		

BlazeMaster® CPVC Fittings

● Фитинги ХПВХ BlazeMaster®

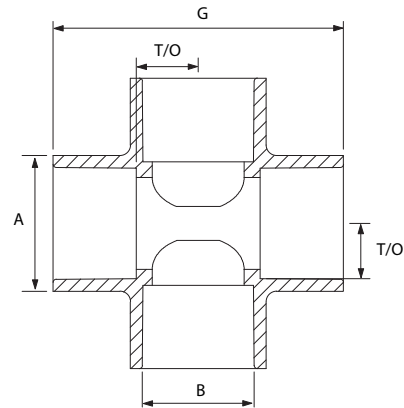
● BlazeMaster® CPVC Fittingleri



CROSS EQUAL



TFP 1915 / IH-1900



Cross, Equal, Slip x Slip x Slip x Slip/Крестовина равнопроходная под клеевое соединение/Istavroz , Eşit, Slip x Slip x Slip x Slip

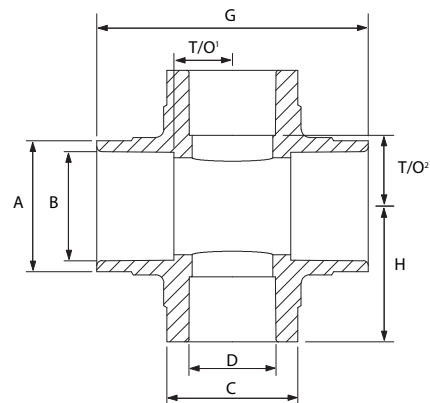
Art. Nr.	B DN	A mm	G mm	T/O mm	⊙ Kg	LPCB	FM	UL	VDS
80009	20 3/4"	33	70	15	0.059	✓	✓	✓	✓
80010	25 1"	40	84	18	0.104	✓	✓	✓	✓
80011A	32 1.1/4"	50	95	23	0.154	✓	✓	✓	✓
80012	40 1.1/2"	59	125	27	0.304	✓	✓	✓	✓
80013	50 2"	72	145	33	0.454	✓	✓	✓	✓
80014A	65 2.1/2"	89	171	39	0.866	✓	✓	✓	✓
80008A	80 3"	106	192	46	1.311			✓	



CROSS REDUCING



TFP 1915 / IH-1900



Cross Reducing, Slip x Slip x Slip x Slip/Крестовина переходная под клеевое соединение/Redüksiyonlu Istavroz , Slip x Slip x Slip x Slip

Art. Nr.	B DN	D DN	A mm	C mm	G mm	H mm	T/O¹ mm	T/O² mm	⊙ Kg	FM	UL	VDS
80015A	25 1"	20 3/4"	40	40	84	42	18	22	0.127	✓	✓	✓

BlazeMaster® CPVC Fittings

● Фитинги ХПВХ BlazeMaster®

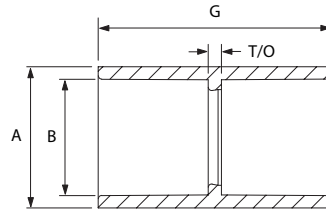
● BlazeMaster® CPVC Fitingleri



COUPLING EQUAL



TFP 1915 / IH-1900



Coupling, Equal, Slip x Slip/Муфта равнопроходная под клеевое соединение/Eşit kaplin , 90° Slip x Slip

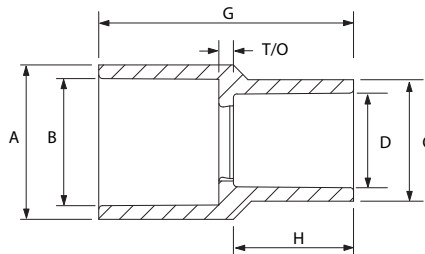
Art. Nr.	B DN	A mm	G mm	T/O mm	kg	LPCB	FM	UL	VDS
80075	20 3/4"	33	54	3	0.032	✓	✓	✓	✓
80076	25 1"	40	64	3	0.050	✓	✓	✓	✓
80077	32 1.1/4"	50	56	4	0.054	✓	✓	✓	✓
80078	40 1.1/2"	59	78	5	0.113	✓	✓	✓	✓
80079	50 2"	72	84	5	0.172	✓	✓	✓	✓
80080	65 2.1/2"	87	98	6	0.304	✓	✓	✓	✓
80081	80 3"	105	108	5	0.413	✓	✓	✓	✓



COUPLING REDUCING



TFP 1915 / IH-1900



Coupling Reducing, Slip x Slip/Муфта переходная под клеевое соединение/Redüksiyon Kaplin, Slip x Slip

Art. Nr.	B DN	D DN	A mm	C mm	G mm	H mm	T/O mm	kg	LPCB	FM	UL	VDS
80220	25 1"	20 3/4"	41	34	46	19	3	0.036	✓	✓	✓	✓

BlazeMaster® CPVC Fittings

● Фитинги ХПВХ BlazeMaster®

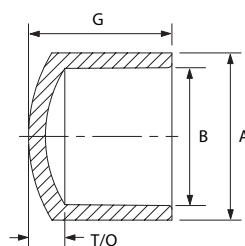
● BlazeMaster® CPVC Fitingleri



END CAP SLIP



TFP 1915 / IH-1900



End Cap, Slip/Заглушка под клеевое соединение/Кör Tara, slip

Art. Nr.	B DN	A mm	G mm	T/O mm	kg	IPC67	FM	UL	VDS
80100	20 3/4"	33	28	7	0.018	✓	✓	✓	✓
80101	25 1"	40	33	10	0.027	✓	✓	✓	✓
80102	32 1.1/4"	50	45	10	0.045	✓	✓	✓	✓
80103	40 1.1/2"	59	56	18	0.091	✓	✓	✓	✓
80104	50 2"	72	57	15	0.141	✓	✓	✓	✓
80105	65 2.1/2"	87	70	22	0.263	✓	✓	✓	✓
80106	80 3"	105	76	24	0.400	✓	✓	✓	✓

BlazeMaster® CPVC Fittings

R Фитинги ХПВХ BlazeMaster®

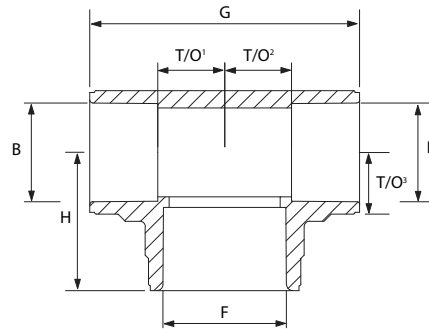
T BlazeMaster® CPVC Fitingleri



TEE REDUCING



TFP 1915 / IH-1900



Tee, Reducing, Slip x Slip x Slip / Тройник переходной под клеевое соединение / T Redüksiyon, Slip x Slip x Slip

Art. Nr.	Tee Size B x F x D Размер тройника / T Ölçüsü			Tee Size B x F x D Размер тройника / T Ölçüsü			G mm	H mm	T/O¹ mm	T/O² mm	T/O³ mm	W Kg	IPCB	FM	UL	VDS
	DN	DN	DN	DN	DN	DN										
80132	20	25	20	3/4"	1"	3/4"	73	38	18	18	15	0.063	✓	✓	✓	✓
80133	25	20	20	1"	3/4"	3/4"	71	38	15	15	19	0.063	✓	✓	✓	✓
80134	25	25	20	1"	1"	3/4"	78	41	19	18	18	0.077	✓	✓	✓	✓
80260	25	20	25	1"	3/4"	1"	79	40	15	15	20	0.073	✓	✓	✓	✓
80135	32	20	25	1.1/4"	3/4"	1"	85	43	16	15	24	0.095	✓	✓	✓	✓
80136	32	25	25	1.1/4"	1"	1"	84	45	19	19	23	0.100	✓	✓	✓	✓
80137	32	32	25	1.1/4"	1.1/4"	1"	92	46	23	23	22	0.118	✓	✓	✓	✓
80261	32	20	32	1.1/4"	3/4"	1.1/4"	82	43	16	16	23	0.104	✓	✓	✓	✓
80262	32	25	32	1.1/4"	1"	1.1/4"	89	46	19	19	23	0.118	✓	✓	✓	✓
80138	32	40	32	1.1/4"	1.1/2"	1.1/4"	119	63	26	26	26	0.195	✓	✓	✓	✓
80140	40	20	32	1.1/2"	3/4"	1.1/4"	100	53	15	15	26	0.163	✓	✓	✓	✓
80141	40	25	32	1.1/2"	1"	1.1/4"	100	57	15	15	27	0.172	✓	✓	✓	✓
80263	40	20	40	1.1/2"	3/4"	1.1/2"	103	53	15	15	24	0.163	✓	✓	✓	✓
80264	40	25	40	1.1/2"	1"	1.1/2"	103	58	15	15	27	0.172	✓	✓	✓	✓
80275	40	32	40	1.1/2"	1.1/4"	1.1/2"	118	59	22	22	26	0.204	✓	✓	✓	✓
80265	50	20	50	2"	3/4"	2"	116	62	19	19	35	0.277	✓	✓	✓	✓
80266	50	25	50	2"	1"	2"	123	66	22	22	35	0.299	✓	✓	✓	✓
80274	50	32	50	2"	1.1/4"	2"	132	69	26	26	36	0.336	✓	✓	✓	✓
80267	50	40	50	2"	1.1/2"	2"	137	71	29	29	35	0.354	✓	✓	✓	✓
80271	65	25	65	2.1/2"	1"	2.1/2"	171	70	39	39	39	0.649	✓	✓	✓	✓
80272	65	32	65	2.1/2"	1.1/4"	2.1/2"	171	73	39	39	40	0.662	✓	✓	✓	✓
80273	65	40	65	2.1/2"	1.1/2"	2.1/2"	171	75	39	39	39	0.671	✓	✓	✓	✓
80276	65	50	65	2.1/2"	2"	2.1/2"	171	80	39	39	40	0.680	✓	✓	✓	✓
80270	80	40	80	3"	1.1/2"	3"	191	83	46	46	46	1.034	✓	✓	✓	✓
80268	80	50	80	3"	2"	3"	191	85	46	46	46	1.021	✓	✓	✓	✓
80269	80	65	65	3"	2.1/2"	3"	191	92	46	46	46	1.107	✓	✓	✓	✓

BlazeMaster® CPVC Fittings

● Фитинги ХПВХ BlazeMaster®

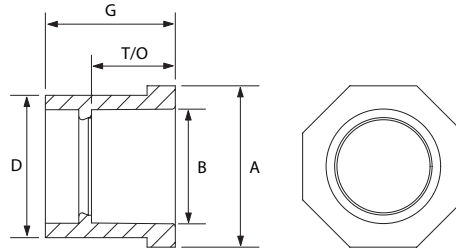
● BlazeMaster® CPVC Fitingleri



BUSH REDUCING



TFP 1915 / IH-1900



Bush Reducing, Spigot x Slip/Втулка переходная под клевоое соединение/Redüksiyon Burç , Mufonlu Bağlantı x Slip

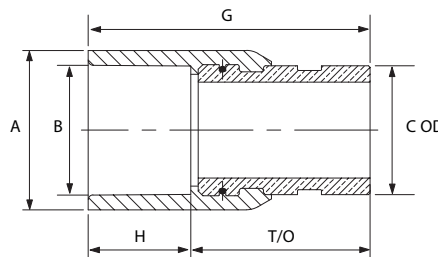
Art. Nr.	Size D x B Размер Ölçü		Size D x B Размер Ölçü		A mm	G mm	T/O mm	Kg	LPCB	FM	UL	VDS
	DN	DN										
80200	25	20	1"	3/4"	38	30	11	0.018	✓	✓	✓	✓
80201	32	20	1.1/4"	3/4"	47	32	12	0.050	✓	✓	✓	✓
80202	32	25	1.1/4"	1"	47	32	8	0.054	✓	✓	✓	✓
80203	40	20	1.1/2"	3/4"	53	42	15	0.072	✓	✓	✓	✓
80204	40	25	1.1/2"	1"	53	42	12	0.063	✓	✓	✓	✓
80205	40	32	1.1/2"	1.1/4"	53	42	9	0.077	✓	✓	✓	✓
80206	50	20	2"	3/4"	66	47	20	0.122	✓	✓	✓	✓
80207	50	25	2"	1"	66	47	17	0.118	✓	✓	✓	✓
80208	50	32	2"	1.1/4"	66	47	14	0.109	✓	✓	✓	✓
80209	50	40	2"	1.1/2"	66	47	11	0.086	✓	✓	✓	✓
80215	65	25	2.1/2"	1"	79	54	24	0.190	✓	✓	✓	✓
80214	65	32	2.1/2"	1.1/4"	79	54	20	0.204	✓	✓	✓	✓
80213	65	40	2.1/2"	1.1/2"	79	54	18	0.209	✓	✓	✓	✓
80211	65	50	2.1/2"	2"	79	54	15	0.152	✓	✓	✓	✓
80210	80	50	3"	2"	96	59	20	0.387	✓	✓	✓	✓
80212	80	65	3"	2.1/2"	96	59	13	0.213	✓	✓	✓	✓



ADAPTOR



TFP 1915 / IH-1900



Coupling Adaptor, Slip x Groove/Грувлочный переходник, клевоое x грувлочное соединение/Kaplin Adaptörü, Slip x yivli

Art. Nr.	Size/размер/Ölçü			A mm	G mm	H mm	T/O mm	Kg	FM	FM	UL	VDS	
	Nom. DN	B mm	C mm										
80160	32	1.1/4"	32	42.2	52	93	34	59	0.354	✓	✓	✓	✓
80161	40	1.1/2"	40	48.3	59	95	37	58	0.431	✓	✓	✓	✓
80162	50	2"	50	60.3	72	98	40	58	0.644	✓	✓	✓	✓
80163	65	2.1/2"	65	73.0	87	107	49	58	1.034	✓	✓	✓	✓
80169	65	2.1/2"	65	76.1	91	107	49	58	1.155	✓	✓	✓	✓
80164	80	3"	80	88.9	105	110	52	58	1.361	✓	✓	✓	✓

BlazeMaster® CPVC Fittings

● Фитинги ХПВХ BlazeMaster®

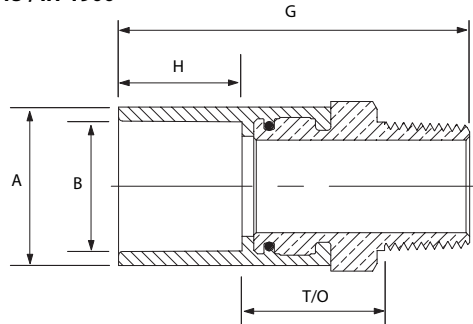
● BlazeMaster® CPVC Fittingleri



THREADED ADAPTOR



TFP 1915 / IH-1900



Male Threaded Adaptor, Slip x Male Thread/Переходник с наружной резьбой, клеювое соединение x Наружная резьба/Erkek Dişli Adaptör, Slip x Erkek Dişli

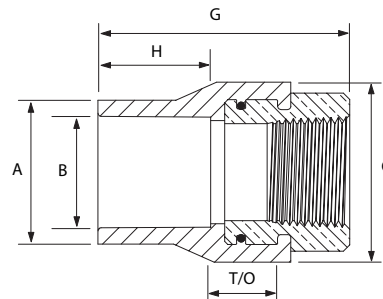
Art. Nr.	B Nom. DN	B Threaded DN	A mm	G mm	H mm	T/O mm	Ⓚ Kg	IPC	FM	UL	VDS
80157	20 3/4"	20 3/4"NPT	33	72	25	33	0.150	✓	✓	✓	✓
80158	25 1"	25 1"NPT	40	84	32	35	0.254	✓	✓	✓	✓
82005	25 1"	25 1"BSP	40	84	32	35	0.254	✓	✓	✓	✓



THREADED ADAPTOR



TFP 1915 / IH-1900



Female Threaded Adaptor, Slip x Female Thread/Переходник с внутренней резьбой, клеювое соединение x Внутренняя резьба/Dişi Dişli Adaptör, Slip x dişi dişi

Art. Nr.	B Nom. DN	B Threaded DN	A mm	C mm	G mm	H mm	T/O mm	Ⓚ Kg	IPC	FM	UL	VDS
80142	20 3/4"	20 3/4"NPT	35	43	61	27	21	0.186	✓	✓	✓	✓
80145	25 1"	25 1"NPT	43	52	69	30	23	0.286	✓	✓	✓	✓
80146	32 1.1/4"	32 1.1/4"NPT	52	61	79	34	28	0.467	✓	✓	✓	✓
80147	40 1.1/2"	40 1.1/2"NPT	59	67	87	36	34	0.644	✓	✓	✓	✓
80148	50 2"	50 2"NPT	72	88	100	40	43	1.207	✓	✓	✓	✓
82001	25 1"	25 1"BSP	43	52	69	30	23	0.286	✓	✓	✓	✓
82002	32 1.1/4"	32 1.1/4"BSP	52	61	79	34	28	0.467	✓	✓	✓	✓
82003	40 1.1/2"	40 1.1/2"BSP	59	67	87	36	34	0.644	✓	✓	✓	✓
82004	50 2"	50 2"BSP	72	88	100	40	43	1.207	✓	✓	✓	✓

BlazeMaster® CPVC Fittings

● Фитинги ХПВХ BlazeMaster®

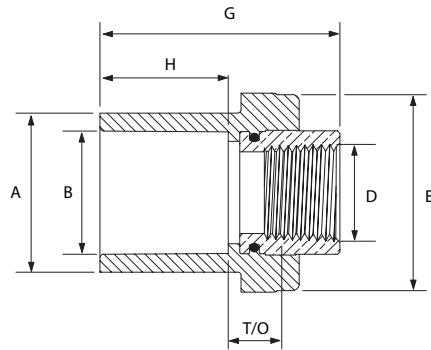
● BlazeMaster® CPVC Fitingleri



SPRINKLER HEAD ADAPTOR



TFP 1915 / IH-1900



Sprinkler Head Adaptor, Slip x Female Thread, Type E/Переходник для спринклера, клеевое соединение x Внутренняя резьба, Тип E/Sprinkler Başlığı Adaptörü, Slip ve dişi dişi, E Tipi

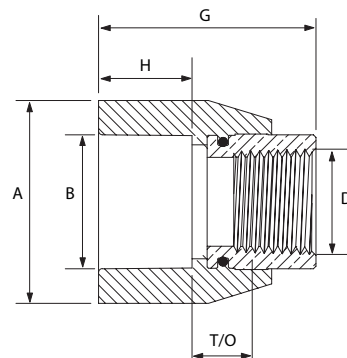
Art. Nr.	B DN	D DN	A mm	C mm	G mm	H mm	T/O mm	kg	LPCB	FM	UL	VDS
80175E	20 3/4"	15 1/2"NPT	35	43	52	28	12	0.091	✓	✓	✓	✓
80176E	25 1"	15 1/2"NPT	43	43	56	31	12	0.100	✓	✓	✓	✓



SPRINKLER HEAD ADAPTOR



TFP 1915 / IH-1900



Sprinkler Head Adaptor, Slip x female Thread, Type W/Переходник для спринклера, клеевое соединение x Внутренняя резьба, Тип W/Sprinkler Başlığı Adaptörü, Slip ve dişi dişi, W Tipi

Art. Nr.	B DN	D DN	A mm	G mm	H mm	T/O mm	kg	LPCB	FM	UL	VDS
80175W	20 3/4"	15 1/2"	41	44	19	12	0.086	✓	✓	✓	✓
80176W	25 1"	15 1/2"	40	49	25	12	0.082	✓	✓	✓	✓

BlazeMaster® CPVC Fittings

● Фитинги ХПВХ BlazeMaster®

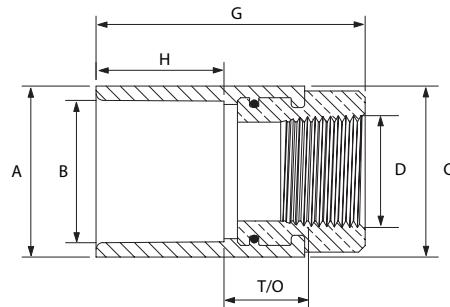
● BlazeMaster® CPVC Fitingleri



SPRINKLER HEAD ADAPTOR



TFP 1915 / IH-1900



Sprinkler Head Adaptor, Slip x Female Thread, Type WL/Переходник для спринклера, клеевое соединение x внутренняя резьба, Тип WL/Sprinkler Başlığı Adaptörü, Slip ve dişi dişli, WL Tipi

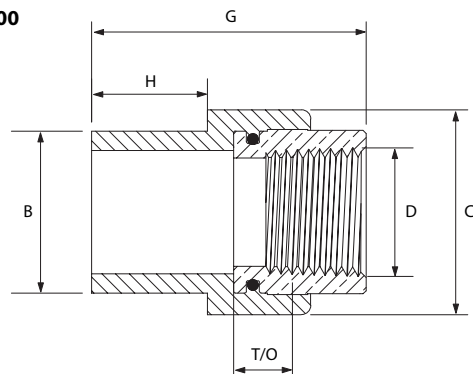
Art. Nr.	B		D		A	C	G	H	T/O	Q	LPCB	FM	UL	VDS
	DN	DN	DN	DN	mm	mm	mm	mm	mm	Kg				
80175WL	20	3/4"	15	1/2"NPT	33	33	44	20	11	0.073	✓	✓	✓	✓
80179	25	1"	20	3/4"NPT	43	43	64	30	11	0.195	✓	✓	✓	✓



SPRINKLER HEAD ADAPTOR



TFP 1915 / IH-1900



Sprinkler Head Adaptor, Spigot x Female Thread/Переходник для спринклера, клеевое соединение x внутренняя резьба/Sprinkler Başlığı Adaptörü, Mufionlu ve Dişi Dişli

Art. Nr.	B		D		C	G	H	T/O	Q	LPCB	FM	UL	VDS
	DN	DN	DN	DN	mm	mm	mm	mm	Kg				
80177L	20	3/4"	15	1/2"NPT	34	45	19	13	0.073	✓	✓	✓	✓
80178	25	1"	15	1/2"NPT	43	49	22	14	0.091	✓	✓	✓	✓
80180	25	1"	20	3/4"NPT	43	57	22	22	0.180	✓	✓	✓	✓

BlazeMaster® CPVC Fittings

R Фитинги ХПВХ BlazeMaster®

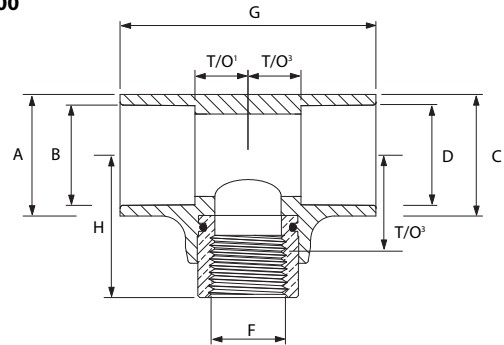
T BlazeMaster® CPVC Fitingleri



SPRINKLER HEAD TEE



TFP 1915 / IH-1900



Sprinkler Head Tee, Slip x Female Thread x Slip/Переходник для спринклера, Тройник, клеевое соединение x Внутренняя резьба/Sprinkler Başlığı T Slip ve Dişi Dişliye

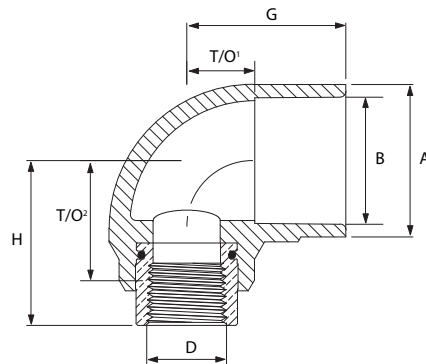
Art. Nr.	B x F x D						A mm	C mm	G mm	H mm	T/O¹ mm	T/O² mm	T/O³ mm	Kg	LPCB	FM	UL	VDS
	DN	DN	DN	DN	DN	DN												
80250	20	3/4"	15	1/2"NPT	20	3/4"	33	33	69	38	14	14	25	0.100	✓	✓	✓	✓
80251	25	1"	15	1/2"NPT	25	1"	40	40	83	46	18	18	36	0.131	✓	✓	✓	✓
80252	32	1.1/4"	15	1/2"NPT	32	1.1/4"	50	50	76	46	11	11	33	0.141	✓	✓	✓	✓
80256	32	1.1/4"	15	1/2"NPT	25	1"	50	40	76	46	11	14	33	0.136	✓	✓	✓	✓
80249	25	1"	25	1"NPT	25	1"	40	40	93	56	23	23	40	0.331	✓	✓	✓	✓
80257	40	1.1/2"	15	1/2"NPT	40	1.1/4"	59	52	98	49	12	17	36	0.195	✓	✓	✓	✓
80254	40	1.1/2"	15	1/2"NPT	40	1.1/2"	59	59	98	49	12	12	36	0.209	✓	✓	✓	✓
80258	50	2"	15	1/2"NPT	50	1.1/2"	72	59	104	55	12	16	43	0.254	✓	✓	✓	✓
80253	50	2"	15	1/2"NPT	50	2"	72	72	104	55	13	13	42	0.281	✓	✓	✓	✓



SPRINKLER HEAD ADAPTOR



TFP 1915 / IH-1900



Sprinkler Head Adaptor 90° Elbow, Slip x Female Thread/Переходник для спринклера, Отвод 90°, клеевое соединение x Внутренняя резьба/Sprinkler Başlığı Adaptörü 90°, Dirsek, Slip ve Dişi Dişli

Art. Nr.	B		D		A mm	G mm	H mm	T/O¹ mm	T/O² mm	Kg	LPCB	FM	UL	VDS
	DN	DN	DN	DN										
80199	20	3/4"	15	1/2"NPT	33	35	38	14	25	0.091	✓	✓	✓	✓
80198	25	1"	15	1/2"NPT	40	40	44	18	31	0.118	✓	✓	✓	✓
80196	25	1"	20	3/4"NPT	45	51	49	27	37	0.120	✓	✓	✓	✓

BlazeMaster® CPVC Fittings

® Фитинги ХПВХ BlazeMaster®

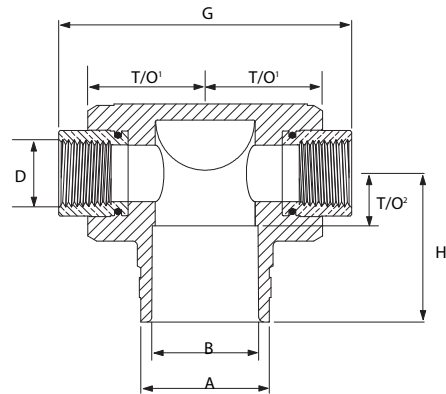
™ BlazeMaster® CPVC Fitingleri



BACK-TO-BACK SPRINKLER TEE



TFP 1915 / IH-1900



Back-To-Back, Sprinkler Tee, Slip x Female Thread/Тройник для спринклеров, установленных "спина к спине", клеевое соединение x Внутренняя резьба/Sirt Sirta, Sprinkler Te, Slip x Dişi Dişi

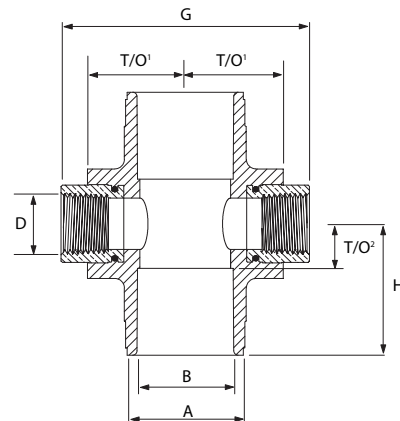
Art. Nr.	B DN		D DN		A mm	G mm	H mm	T/O¹ mm	T/O² mm	kg	Dry Wall Size Отступ от стены Duvvar Kalınlığı	LPCB	FM	UL	VDS
80459	25	1"	15	1/2"NPT	40	92	47	34	17	0.218	5/8"	✓	✓	✓	✓
80460	25	1"	15	1/2"NPT	40	85	47	30	17	0.209	1/2"	✓	✓	✓	✓



BACK-TO-BACK SPRINKLER CROSS



TFP 1915 / IH-1900



Back-To-Back, Sprinkler Cross, Slip x Female Thread/Крестовина для спринклеров, установленных "спина к спине", клеевое соединение x Внутренняя резьба/Sirt Sirta, Sprinkler Istavrozı, Slip x Dişi Dişi x Slip

Art. Nr.	B DN		D DN		A mm	G mm	H mm	T/O¹ mm	T/O² mm	kg	Dry Wall Size Отступ от стены Duvvar Kalınlığı	LPCB	FM	UL	VDS
80462	25	1"	15	1/2"NPT	40	86	45.5	30	15	0.209	1/2"	✓	✓	✓	✓
80463	25	1"	15	1/2"NPT	40	93	45.5	34	15	0.213	5/8"	✓	✓	✓	✓

BlazeMaster® CPVC Miscellaneous

R Комплектующие ХПВХ BlazeMaster®

T BlazeMaster® CPVC Yardımcı Ürünler

Cement Model TFP-500

Клей, модель TFP-500

Yapıştırıcı Çimento, Model TFP-500



P. 6.019

Dauber

Кисть

Fırça



P. 6.019

Pipe Cutter Model TC3QPVC

Труборез модель TC3QPVC

Boru Kesicisi, Model TC3QPVC



P. 6.020

Model DEB2

Модель DEB2

Model DEB2



P. 6.020

Model DEB4

Модель DEB4

Model DEB4



P. 6.020

Test Plugs

Тестовые заглушки

Test Tapaları



P. 6.021

Firestopping Sealant Caulk & Walk®

Огнеупорный герметик Caulk & Walk®

Yangın Durdurucu Dolgu Maddesi Caulk & Walk®



P. 6.021

Glycerine U.S.P. Grade

Глицерин U.S.P.

Gliserin U.S.P. Derece



P. 6.022

Thread Sealant

Герметик для резьбовых соединений

Dişli Dolgu Maddesi



P. 6.022

Flow Switches Model VSR-SFG

Сигнализатор потока жидкости, модель VSR-SFG

Akış Anahtarları, Model VSR-SFG



P. 6.023

BlazeMaster® CPVC Miscellaneous

- R Комплектующие ХПВХ BlazeMaster®
- T BlazeMaster® CPVC Yardımcı Ürünler



TFP-500

Cement/Клей/Үарıştırıcı

Art. Nr.	Packing Size Размер упаковки Ambalaj Boyu	Description Описание Tanımlama	Kg	LPCB	FM	U
90740	0.47 ltr, Tin/Олово/Тенеке	TFP-500 One-Step Cement with Dauber Attached to Lid/TFP-500 Универсальная клей с кистью, прикрепленной к крышке/TFP-500 Үарıştırıcı, Fırçalı	0.55	✓	✓	✓
90741	0.95 ltr, Tin/Олово/Тенеке	TFP-500 One-Step Cement with Dauber Attached to Lid/TFP-500 Универсальная клей с кистью, прикрепленной к крышке/TFP-500 Үарıştırıcı, Fırçalı	1.08	✓	✓	✓



DAUBER

Cement Accessories/Принадлежности для клея/Үарıştırıcı Aksesuarları

Art. Nr.	Description Описание Tanımlama	Kg
90400	Dauber 1.1/2" Diameter for Pipe Sizes 1" to 3"/Кисть диаметром 1,1/2 дюйма для труб размером от 1 до 3 дюймов/Фırça 1,1/2" çap, 1" ve 3" Arası Boru Boyları için	0.011
90401	Dauber 3/4" Diameter for Pipe Sizes 3/4" to 1.1/4"/Кисть диаметром 3/4 дюйма для труб размером от 3/4 до 1.1/4 дюйма/Фırça 3/4" çap, 3/4" ve 1,1/4" Arası Boru Boyları için	0.008

BlazeMaster® CPVC Miscellaneous

- R** Комплектующие ХПВХ BlazeMaster®
- T** BlazeMaster® CPVC Yardımcı Ürünler



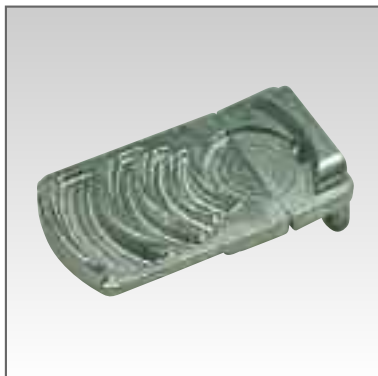
TC3QPVC

CPVC Tools, Pipe Cutter/Инструменты для ХПВХ, труборез/CPVC Aletleri, Boru Kesicileri

Art. Nr.	Description Описание Tanımlama	Kg
90353	Pipe Cutter Model TC3QPVC with Wheel for CPVC Pipe, Diameters DN20 to DN80/Труборез модель TC3QPVC с колесиком для труб ХПВХ диаметром от DN20 до DN80/Boru Kesicisi, Model TC3QPVC, CPVC Borusu için çarklı , Çaplar DN20 ve DN80 Arası	1.1
3-6PVC	Replacement Cutter Wheel Model 3-6PVC for Model TC3QPVC Pipe Cutter/Запасное колесико трубореза модель 3-6PVC для трубореза модели TC3QPVC/Ek Kesici Çarkı , Model 3-6PVC TC3QPVC Boru Kesicisi için	0.01



DEB2



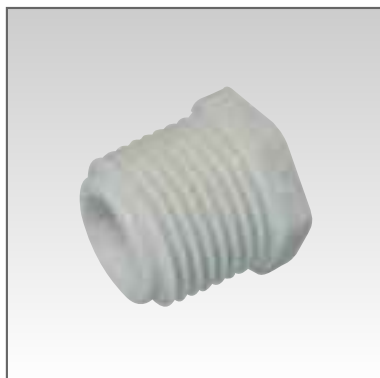
DEB4

Deburring Tool, DEB2 & DEB4/Инструмент для снятия заусенцев, DEB2 & DEB4/Çapak Alma Aleti, DEB2 & DEB4

Art. Nr.	Description Описание Tanımlama	Kg
91346	Deburring Tool for Inner and Outer Edges of Pipes, for Pipe Sizes up to DN50/Инструмент для снятия заусенцев на внутренних и внешних кромках труб с диаметром до DN50./Boruların İç ve Dış Kenarları için Çapak Alma Aleti, DN50'ye Kadar Boru Boyları için	1.1
90357	Deburring Tool for Inner and Outer Edges of Pipes, for Pipe Sizes DN32 up to DN80/Инструмент для снятия заусенцев на внутренних и внешних кромках труб с диаметром от DN32 до DN80./Boruların İç ve Dış Kenarları için Çapak Alma Aleti, DN32'den DN80'e Kadar Boru Boyları için	0.01

BlazeMaster® CPVC Miscellaneous

- R** Комплектующие ХПВХ BlazeMaster®
- T** BlazeMaster® CPVC Yardımcı Ürünler



TEST PLUGS

Test Plugs/Тестовые заглушки/Test Tapaları

Art. Nr.	A	Description	Colour	
	DN	Описание Tanımlama	Цвет Renk	
90270	15 1/2	Test Plug, Brass thread 1/2" for Sprinkler Fittings /Тестовая заглушка, латунь, резьба 1/2 дюйма для фитингов спринклерных систем/Test Tapası, Bakır Dişli 1/2" Sprinkler Fitingleri için	White/Белый/Be Yaz	0.115



CAULK & WALK®

Caulk & Walk® Firestopping Sealant/Caulk & Walk Огнеупорный герметик®/Caulk & Walk® Yangın Durdurucu Dolgu Maddesi

Art. Nr.	Packing Size	Description		
	Размер упаковки Ambalaj Boyu	Описание Tanımlama		
61126	0.3 ltr, Tube/Туба/Boru	Caulk & Walk Fire Stopping Sealant /Caulk & Walk Огнеупорный герметик/ Caulk & Walk Yangın Durdurucu Dolgu Maddesi	0.4	✓

BlazeMaster® CPVC Miscellaneous

- R Комплектующие ХПВХ BlazeMaster®
- T BlazeMaster® CPVC Yardımcı Ürünler



GLYCERINE U.S.P. GRADE

Glycerine U.S.P. Grade/Глицерин U.S.P./Gliserin U.S.P. Derece

Art. Nr.	Packing Size Размер упаковки Colisage	Description Описание Tanımlama	Kg
90505	5 ltr.	5 Litre Can Antifreeze for CPVC Systems, USP Grade [96.5%]/Канистра антифриза 5 литров для систем ХПВХ, марка USP [96,5%]/5 Litrelik Teneke, CPVC Sistemleri için Antifiriz, USP Derecesi [%96,5]	0.4



THREAD SEALANT

Oatey® Great White® Thread Sealant/Герметик для резьбовых соединений Oatey® Great White®/Oatey® Great White® Yiv Dolgu Macunu

Art. Nr.	Packing Size Размер упаковки Ambalaj Boyu	Description Описание Tanımlama	Kg
31232	0.47 ltr.	Joint Compound for CPVC Threaded Adaptors/Герметик для резьбовых переходников ХПВХ/CPVC Dişli Adaptörler için Dolgu Maddesi	0.55

BlazeMaster® CPVC Miscellaneous, Flow Switches

- R** Комплектующие ХПВХ BlazeMaster®, сигнализатор потока жидкости
- T** BlazeMaster® CPVC Yardımcı Ürünler, Akış Anahtarları



VSR-SFG

VSR-SFG Pneumatic Retard Flow Switch/VSR-SFG Сигнализатор потока жидкости с пневматической задержкой/VSR-SFG Pnömatik Gecikme Akış Anahtarı

Art. Nr.	Retard Settings [sec]					Kg	U
	A	B	C	D	E		
21000480	10-25	20-40	35-55	50-70	60-90	1.3	√

Features/Свойства/Özellikler

Description Описание Tanımlama	
Connection/Тип соединения/Bağlantı	DN25 CPVC Spigot/Втулка ХПВХ DN25/DN25 CPVC Muflonu
Tee Run Sizes/Размеры отводов тройника/Т Eki Alma Boyları	DN25, 32, 40, 50
Min. Flow/Мин. расход/Asgari Akış	38 L/Min.
IP Rating/Класс защиты IP/IP Değerlendirmesi	IP 56
Temperature/Температура/Isı	+4 / +49° C
Max. Pressure/Макс. давление/Azami Basınç	12.1 Bar [175 Psi]
Contacts/Контакты/Irtibatlar	2 x SPDT [C] / 15 A - 125/250 VAC / 2 A - 30 VDC

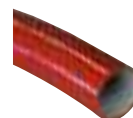
MLC-S Sprinkler Pipe and Fittings for concrete floors

● Трубы и фитинги MLC-S для спринклерных систем (для бетонных полов)

● Beton Zeminler için MLC-S Sprinkler Boruları ve Fitingleri

MLC-S Sprinkler pipe

Труба для спринклерной системы MLC-S
MLC-S Sprinkler Boru



P. 6.025

MLC-S press fittings

Прессуемые фитинги MLC-S
MLC-S Pres Fiting



P. 6.025

MLC-S Tools

Инструменты MLC-S
MLC-S Aletler



P. 6.034

Universal casting cup F1500 for sprinklers in concrete floors

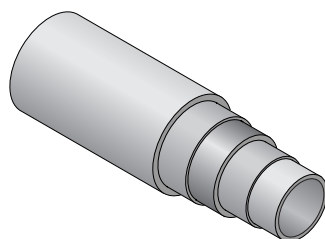
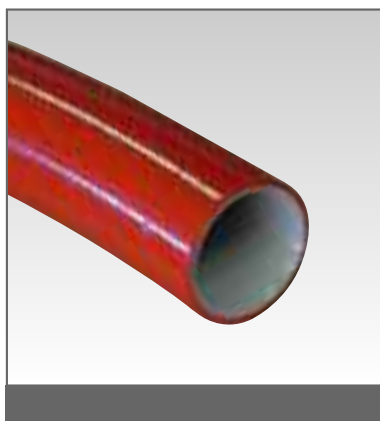
Универсальная литая чаша F1500 для спринклерных систем в бетонных полах
Beton zeminlerde sprinklerler için F1500 üniversal döküm kabı



P. 6.039

MLC-S Sprinkler pipe

- R** Труба спринклерной системы MLC-S
- T** MLC-S Sprinkler Boru



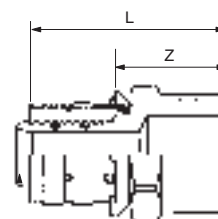
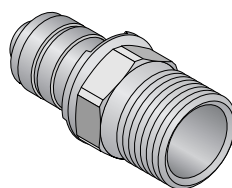
MLC-S Sprinkler pipe / Труба спринклерной системы / Sprinkler Boru

Art. Nr.	Dimension Размеры Çap $d_a \times s$ mm	d_i mm	Unit length Единица длины Birim uzunluđu $d_a \times s$ m/coil/Катушка/Bobin	Kg / Coil/Катушка/Bobin	
				Kg	/ m
735320	32 x 3 red in coils	26	50	16.2	0.323
1045981	40 x 4.0 red in lengths	32	20*	2.54	0.507
1045982	50 x 4.5 red in lengths	41	20*	3.72	0.745
1059151	63 x 6.0 red in lengths	51	15**	6.12	1.223

*4 x 5m, **3 x 5m

MLC-S Press Fittings

- R** Прессуемые фитинги MLC-S
- T** Accessoires à compression MLC-S



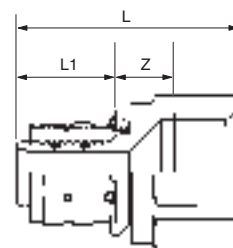
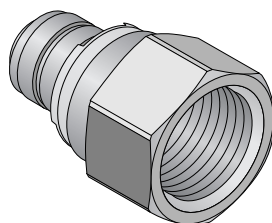
Male press connection / Наружное прессуемое соединение / Erkek pres bađlantısı

Art. Nr.	Dimension Размер Çap	Z mm	L mm	Kg / Pc./шт./ad.	
				Kg	/
980301	32 x 1 MT	34	65	0.184	
1045987	40 x 1 1/2 MT	42	82	0.504	
1045988	50 x 1 1/2 MT	42	79	0.511	
1059152	63 x 2 MT	41	110	0.961	

MLC-S Press Fittings

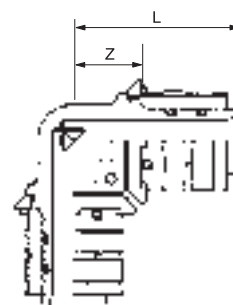
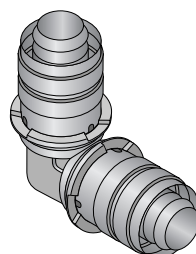
● Прессуемые фитинги MLC-S

● MLX-S Pres Fittingler



Female press connection / Внутреннее прессуемое соединение / Dişi pres bağlantısı

Art. Nr.	Dimension Размеры Çap	Z	L	L1	Kg / Pcs./шт./ad.
		mm	mm	mm	
980302	32 x 1 FT	11	61	31	0.208
1045985	40 x 1 1/2 FT	18	79	40	0.452
1045986	50 x 1 1/2 FT	14	73	37	0.397
1059153	63 x 2 FT	10	104	70	0.782

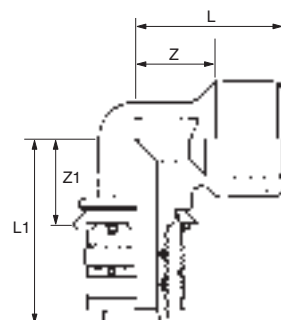
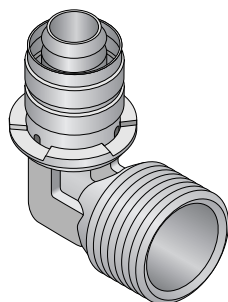


Press elbow 90° / Прессуемый отвод 90° / Pres dirsek 90°

Art. Nr.	Dimension Размеры Çap	Z	L	Kg / Pcs./шт./ad.
		mm	mm	
980303	32 x 32	23	53	0.239
1045983	40 x 40	34	74	0.464
1045984	50 x 50	41	78	0.687
1059154	63 x 63	51	121	2.073

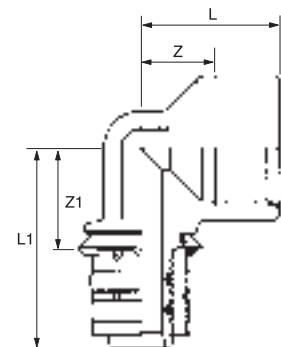
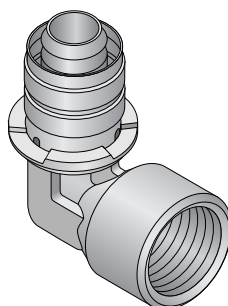
MLC-S Press Fittings

- R** Прессуемые фитинги MLC-S
- T** MLX-S Pres Fittingler



Male press elbow 90° / Прессуемый отвод 90° с наружной резьбой / Erkek pres dirsek 90°

Art. Nr.	Dimension Размеры Çap	Z	Z1	L	L1	Kg / Pcs./шт./ad.
		mm	mm	mm	mm	
980304	32 x 1 MT	26	28	44	58	0.259
1059491	40 x 1 1/4 MT	30	34	49	75	0.429



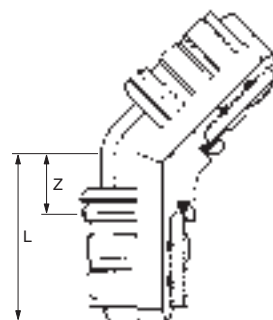
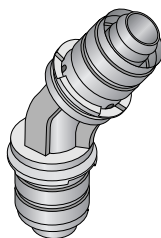
Female press elbow 90° / Прессуемый отвод 90° с внутренней резьбой / Dişi pres dirsek 90°

Art. Nr.	Dimension Размеры Çap	Z	Z1	L	L1	Kg / Pcs./шт./ad.
		mm	mm	mm	mm	
980305	32 x 1 FT	29	28	47	58	0.293
1059496	40 x 1 1/2 FT	38	37	59	77	0.543
1059489	50 x 1 1/2 FT	38	41	59	81	0.629

MLC-S Press Fittings

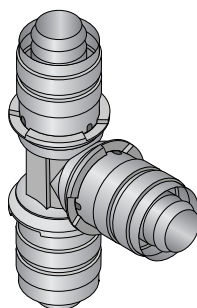
● Прессуемые фитинги MLC-S

● MLX-S Pres Fittingler



Press elbow 45° / Прессуемый отвод 45° / Pres dirsek 45°

Art. Nr.	Dimension Размеры Çap	Z	L	Kg / Пс./шт./ad.
		mm	mm	
1045989	40 x 40	21	61	0.414
1045990	50 x 50	25	63	0.556
1059155	63 x 63	34	103	1.867

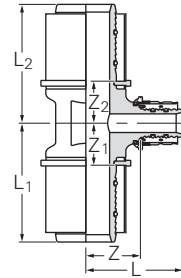
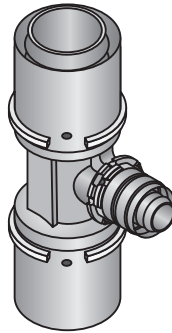


Press tee / Прессуемый тройник / Pres t eki

Art. Nr.	Dimension Размеры Çap	Z	L	Kg / Пс./шт./ad.
		mm	mm	
980307	32 x 32 x 32	23	53	0.330
1045991	40 x 40 x 40	34	74	0.675
1045992	50 x 50 x 50	41	78	0.962
1059156	63 x 63 x 63	51	121	3.044

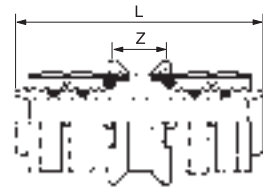
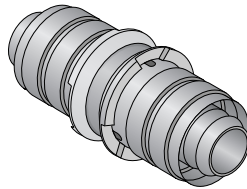
MLC-S Press Fittings

- R** Прессуемые фитинги MLC-S
- T** MLX-S Pres Fittingler



Press Tee Reducer / Прессуемый переходной тройник / Pres Redüksiyon Te

Art. Nr.	Dimension Размеры Çap	Z	Z1	Z2	L	L1	L2	Kg / Pcs./шт./ad.
		mm	mm	mm	mm	mm	mm	
1045993	40 x 32 x 40	30	27	27	60	64	64	0.540
1045994	50 x 32 x 50	35	27	27	65	64	64	0.685
1059490	50 x 40 x 50	37	34	34	81	74	74	0.828
1059157	63 x 40 x 63	50	39	39	87	109	109	2.288
1059457	63 x 50 x 63	50	39	39	87	109	109	2.377

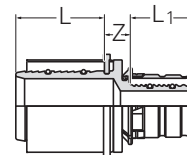
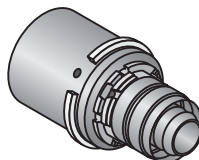


Press coupling / Прессуемая муфта / Pres kaplin

Art. Nr.	Dimension Размеры Çap	Z	L	SU	Kg / Pcs./шт./ad.
		mm	mm	pcs.	
980308	32 x 32	12	73	10	0.161
1045995	40 x 40	12	93	5	0.297
1045996	50 x 50	13	88	3	0.358
1059158	63 x 63	7	146	2	0.892

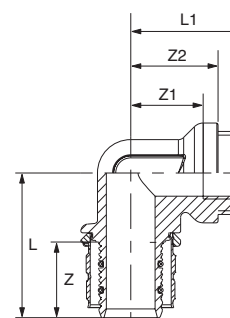
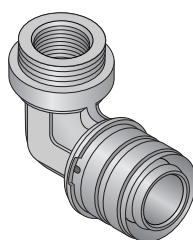
MLC-S Press Fittings

- R** Прессуемые фитинги MLC-S
- T** MLX-S Pres Fittingler



Press reducer / Прессуемый переходник / Pres redüksiyon

Art. Nr.	Dimension Размеры Çap	Z	L	L1	SU pc.	Kg / Pcs./шт./ad.
		mm	mm	mm		
1045997	40 x 32	12	40	30	5	0.237
1045998	50 x 32	13	38	30	3	0.278
1045999	50 x 40	12	40	40	3	0.358
1059159	63 x 40	8	69	38		0.640
1059160	63 x 50	9	70	38		0.662



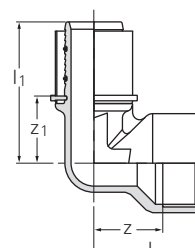
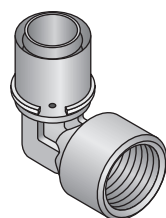
Male/Female press elbow 90° / Прессуемый отвод 90° с наружной/внутренней резьбой / Erkek/Dişi pres dirsek 90°

Art. Nr.	Dimension Размеры Çap	Z	Z1	Z2	L	L1	Kg / Pcs./шт./ad.
		mm	mm	mm	mm	mm	
986246	32 x 1 MT / 1/2 FT	25	29	35	56	45	0.340
986346	32 x 1 MT / 3/4 FT	25	29	35	56	45	0.275

MLC-S Press Fittings

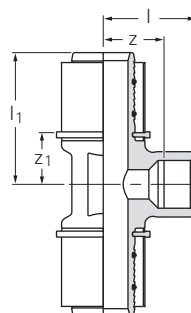
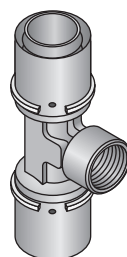
R Прессуемые фитинги MLC-S

T MLX-S Pres Fittingler



Female press elbow 90° / Прессуемый отвод 90° с внутренней резьбой / Dişi pres dirsek 90°

Art. Nr.	Dimension Размеры Çap	Z	Z1	L	L1	Kg / Pcs./шт./ad.
		mm	mm	mm	mm	
1059146	32 x 3/4 FT	31	25	47	56	0.339
1059147	40 x 3/4 FT	31	37	47	74	0.455
1059148	50 x 3/4 FT	31	41	47	78	0.685



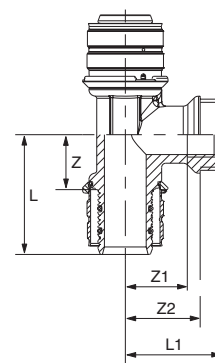
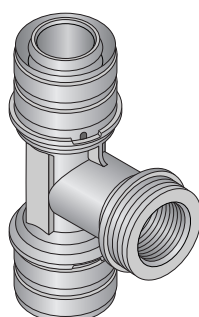
Female Press T / Прессуемый тройник с внутренней резьбой / Dişi Pres Te

Art. Nr.	Dimension Размеры Çap	Z	Z1	L	L1	SU	Kg / Pcs./шт./ad.
		mm	mm	mm	mm	pc.	
1059144	40 x 3/4 FT x 40	31	26	-	47	540	0.640
1059145	50 x 3/4 FT x 50	31	34	-	47	793	0.710

MLC-S Press Fittings

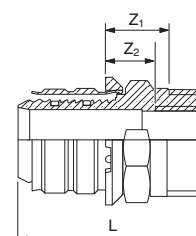
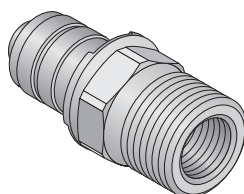
● Прессуемые фитинги MLC-S

● MLX-S Pres Fittingler



Male/Female press tee / Прессуемый тройник с наружной/внутренней резьбой / Erkek/Dişi pres t eki

Art. Nr.	Dimension Размеры Çap	Z	Z1	Z2	L	L1	Kg	Pc./шт./ad.
		mm	mm	mm	mm	mm		
986236	32 x 1 MT / 1/2 FT x 32	26	29	35	56	45	0.370	
986336	32 x 1 MT / 3/4 FT x 32	26	29	35	56	45	0.354	

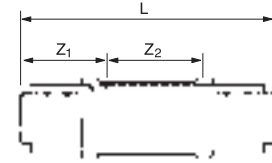
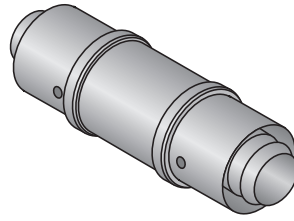



Press connection 32 x 1 MT / 1/2 FT / 3/4 FT / Прессуемый штуцер 32 x 1 MT / 1/2 FT / 3/4 FT / Pres bağlantı 32 x 1 MT / 1/2 FT / 3/4 FT

Art. Nr.	Dimension Размеры Çap	Z1	Z2	L	Kg	Pc./шт./ad.
		mm	mm	mm		
986226	32 x 1 MT / 1/2 FT	17	12	65	0.200	
986326	32 x 1 MT / 3/4 FT	17	12	59	0.164	

MLC-S Press Fittings

- Прессуемые фитинги MLC-S
- MLX-S Pres Fittingler

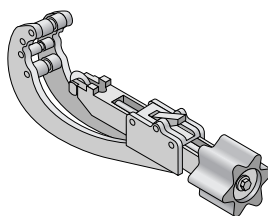


Repair coupling / Муфта для ремонта / Tamir kaplini					
Art. Nr.	Dimension Размеры Çap	Z1	Z2	L	 Kg / Pcs./шт./ad.
		mm	mm	mm	
946163	32 x 32	43	48	125	0.360

MLC-S Tools

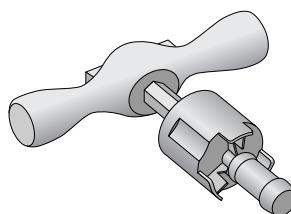
● R Инструменты MLC-S

● T MLC-S Aletler



Pipe cutting tool 25-63 / Труборез 25-63 / Boru kesme aleti 25-63

Art. Nr.	Type Тип Tür	Unit Единицы Birim
760005	25-63 mm	1 pc./1 шт./1 ad.
760011	Spare cutting wheel / Запасное режущее колесико / Yedek kesme çarkı	1 pc./1 шт./1 ad.



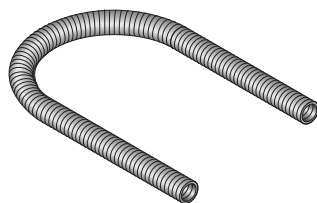
Beveling tool / Инструмент разделки кромок / Yiv açma aleti

Art. Nr.	Type Тип Tür	Unit Единицы Birim
996400	32	1 pc./1 шт./1 ad.
1006638	40	1 pc./1 шт./1 ad.
1015808	50	1 pc./1 шт./1 ad.
1014339	63	1 pc./1 шт./1 ad.

MLC-S Tools

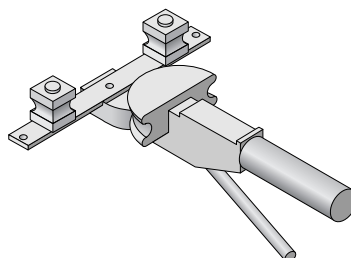
● R Инструменты MLC-S

● T MLC-S Aletler



Internal bending spring / Скоба для изгиба труб / Dahili büküm yayı		
Art. Nr.	Type Тип Tür	Unit Единицы Birim
760032	32	1 pc./1 шт./1 ad.

6

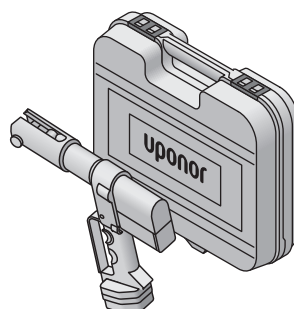


Bending tool / Инструмент для изгиба труб / Büküm aleti		
Art. Nr.	Type Тип Tür	Unit Единицы Birim
760532	16, 20, 25, 32	1 pc./1 шт./1 ad.

MLC-S Tools

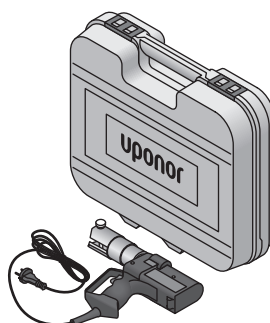
® Инструменты MLC-S

™ MLC-S Aletler



Battery pressing tool UP 75 / Аккумуляторный пресующий инструмент UP 75 / Pil pres aleti UP 75

Art. Nr.	Type Тип Tür	Unit Единицы Birim
990005	UP 75 suitable for 14mm to 110mm pipe supplied without pressing jaw / UP 75, подходящий для труб от 14 мм до 110 мм поставляется без обжимных губок / UP 75, 14mm'den 110mm'e kadar borular için uygun, pres mengenesi hariç	1 pc./1 шт./1 ad.
990010	Spare rechargeable battery / Запасная аккумуляторная батарея / Yedek şarj edilebilir pil	1 pc./1 шт./1 ad.
990020	Spare charger unit / Запасной блок зарядки / Yedek şarj ünitesi	1 pc./1 шт./1 ad.



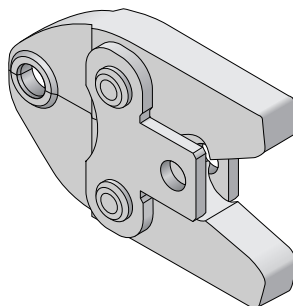
Electric pressing tool UP 75 EL / Электрический пресующий инструмент UP 75 EL / Elektrikli pres aleti UP 75 EL

Art. Nr.	Type Тип Tür	Unit Единицы Birim
1007082	UP 75 EL suitable for 14mm to 110mm pipe supplied without pressing jaw / UP 75 EL, подходящий для труб от 14 мм до 110 мм поставляется без обжимных губок / UP 75 EL, 14mm'den 110mm'ye kadar borulara uygun, pres mengenesi hariç	1 pc./1 шт./1 ad.

MLC-S Tools

R Инструменты MLC-S

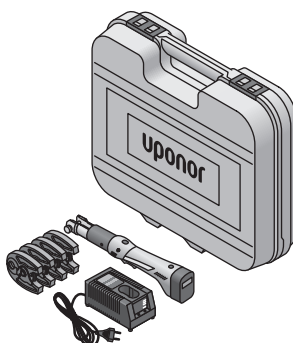
T MLC-S Aletler



Pressing jaw MLC / Обжимные губки MLC / Pres mengenesi MLC

Art. Nr.	Dimension Размеры Çap	Type Тип Tür	Unit Единицы Birim
1007088	32	MLC KSPO	1 pc./1 шт./1 ad.
1015792	40-50	MLC (UPP1)	1 pc./1 шт./1 ad.
1046541*	63	MLC (UP75/UP75EL)	1 pc./1 шт./1 ad.

*For 1046541, base unit 1046545 is needed / *Для 1046541 требуется базовый блок 1046545 / *1046541 için, ana ünite 1046545 gerekli

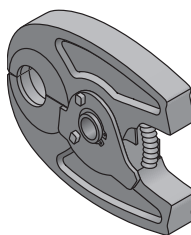


Battery pressing tool Mini 32 / Аккумуляторный прессующий инструмент UP 32 / Pil pres aleti Mini 32

Art. Nr.	Type Тип Tür	Unit Единицы Birim
1007096	Mini 32 suitable for 14mm to 32mm pipe supplied with pressing jaw / Mini 32, подходящий для труб от 14 мм до 32 мм поставляется с обжимными губками / Mini 32, 14mm'den 32mm'ye kadar borulara uygun, pres mengenesi dahil	1 pc./1 шт./1 ad.
990066	Replacement battery Mini / Запасная батарея для Mini / Yedek pil Mini	1 pc./1 шт./1 ad.
990067	Replacement charger Mini / Запасное зарядное устройство для Mini / Yedek şarj aleti Mini	1 pc./1 шт./1 ad.

MLC-S Tools

- Ⓜ Инструменты MLC-S
- Ⓜ MLC-S Aletler



Pressing jaw MLC Mini KSPO / Обжимные губки MLC Mini KSPO / Pres mengenesi MLC Mini KSPO

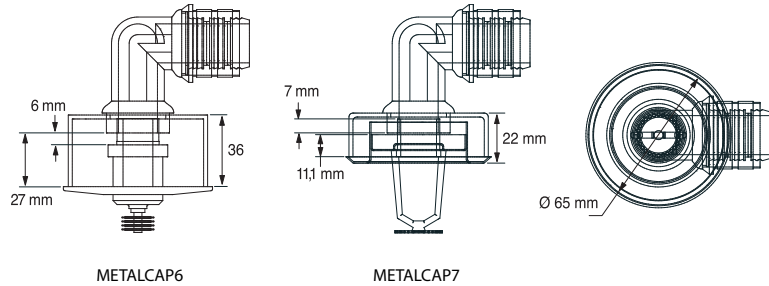
Art. Nr.	Type Тип Tür	Unit Единицы Витт
1007095	32	1 pc./1 шт./1 ad.

Universal casting cup for sprinklers in concrete floors

- R** Универсальная литая чаша для спринклерных систем в бетонных полах
- T** Beton zeminlerdeki sprinklerler için üniversal döküm kabı



F1500

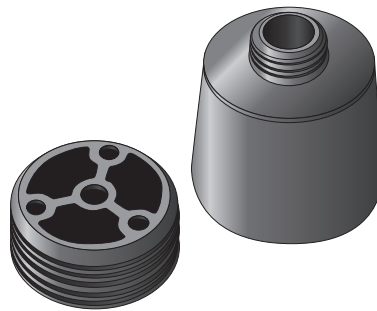


METALCAP6

METALCAP7

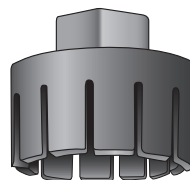
Universal casting cup F1500 / Универсальная литая чаша F1500 / Üniversal döküm kabı F1500

Art. Nr.	Dimensions Размеры Çaplar	Description Описание Tanımlama
METALCAP6	1" ISO	To be used with Tyco Flush Pendent Sprinklers 1/2" & 3/4 NPT / Для использования со спринклерами Тусо розеткой вниз, устанавливаемыми заподлицо, 1/2 дюйма и 3/4 NPT / Tyco Flush Aşağı Bakan Sprinkler 1/2" ve 3/4 NPT ile kullanılmak için
METALCAP7	1" ISO	To be used with Tyco Recessed Pendent Sprinklers 1/2" & 3/4 NPT / Для использования со спринклерами Тусо розеткой вниз, устанавливаемыми в утопленный подрозетник, 1/2 дюйма и 3/4 NPT / Tyco Gömme Asılı Sprinkler 1/2" ve 3/4 NPT ile kullanılmak için



Installation cup / Установочная чаша / Montaj kabı

Art. Nr.	Dimension Размеры Çap	H mm	Ø mm	Type Тип Tür	Qty
913131110	3/4" ISO, Ø 70mm, h = 56mm	65	70	32	1



Removal tool / Инструмент для демонтажа / Söküm aleti

Art. Nr.	Dimension Размеры Çap	H mm	Ø mm	Qty
560004301	1/2" Socket / 27mm Wrench	44	55	1

G-Press

R G-Press

T G-Press

General, G-Press Piping System, the Approvals

Описание системы трубопроводов G-Press, сертификаты Genel, G-Press Borulama Sistemi, Onaylar

P. 6.041

Sprinkler Tubes

Трубы для спринклерной системы
Sprinkler Borular



P. 6.042

Fittings

Фитинги
Fitingler



P. 6.043

Press Tools

Инструменты для запрессовывания
Pres Aletleri









P. 6.063

General, G-Press Piping System, the Approvals

R Описание системы трубопроводов G-Press, сертификаты

T Genel, G-Press Borulama Sistemi, Onaylar

Carbon Steel

Size mm	 VdS* Dry System	 VdS* Wet System	 FM Dry System	 FM Wet System	 FM Wet System	 FM Wet System
22	not approved	16.0 bar / 230 psi	12.5 bar / 175 psi	12.5 bar / 175 psi	not approved	16.0 bar / 230 psi
28	not approved	16.0 bar / 230 psi	12.5 bar / 175 psi	12.5 bar / 175 psi	not approved	16.0 bar / 230 psi
35	not approved	16.0 bar / 230 psi	12.5 bar / 175 psi	12.5 bar / 175 psi	not approved	16.0 bar / 230 psi
42	not approved	16.0 bar / 230 psi	12.5 bar / 175 psi	12.5 bar / 175 psi	not approved	16.0 bar / 230 psi
54	not approved	16.0 bar / 230 psi	12.5 bar / 175 psi	12.5 bar / 175 psi	not approved	16.0 bar / 230 psi

* Please note that for VdS applications there is a limitation to the hazard class. The products are approved for up to and including ordinary hazard class 3 (OH3) and partially including hazard class 4 (OH4, concert, exhibition halls, theatres incl. movie theatres).

† Please note that for LPCB applications there is a limitation to the hazard class. The products are approved for up to and including ordinary hazard class 3 (OH3)

Stainless Steel

Size mm	 VdS* Dry System	 VdS* Wet System	 FM Dry System	 FM Wet System	 FM Wet System	 FM Wet System
22	16.0 bar / 230 psi	16.0 bar / 230 psi	12.5 bar / 175 psi	12.5 bar / 175 psi	not approved	16.0 bar / 230 psi
28	16.0 bar / 230 psi	16.0 bar / 230 psi	12.5 bar / 175 psi	12.5 bar / 175 psi	not approved	16.0 bar / 230 psi
35	16.0 bar / 230 psi	16.0 bar / 230 psi	12.5 bar / 175 psi	12.5 bar / 175 psi	not approved	16.0 bar / 230 psi
42	16.0 bar / 230 psi	16.0 bar / 230 psi	12.5 bar / 175 psi	12.5 bar / 175 psi	not approved	16.0 bar / 230 psi
54	16.0 bar / 230 psi	16.0 bar / 230 psi	12.5 bar / 175 psi	12.5 bar / 175 psi	not approved	16.0 bar / 230 psi
76.1	16.0 bar / 230 psi	16.0 bar / 230 psi	12.5 bar / 175 psi	Available soon	not approved	not approved
88.9	12.5 bar / 175 psi	12.5 bar / 175 psi	12.5 bar / 175 psi	Available soon	not approved	not approved
108.0	10.0 bar / 150 psi	10.0 bar / 150 psi	12.5 bar / 175 psi	Available soon	not approved	not approved

* Please note that for VdS applications there is a limitation to the hazard class. The products are approved for up to and including ordinary hazard class 3 (OH3) and partially including hazard class 4 (OH4, concert, exhibition halls, theatres incl. movie theatres).

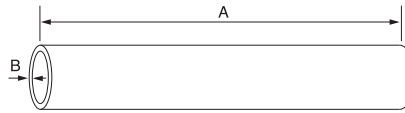
† Please note that for LPCB applications there is a limitation to the hazard class. The products are approved for up to and including ordinary hazard class 3 (OH3)

G-Press Sprinkler Tubes

- R** Трубы для спринклерной системы G-Press
- T** G-Press Sprinkler Boruları



SPRINKLER TUBE



Galvanized Carbon Steel

Art. Nr.	Outside Ø mm	Pipe Thickness (B)	Length (A) mm	kg /mtr	Approval
PIPE22CS	22.0	1.5	6000	0.761	FM/VdS/LPCB
PIPE28CS	28.0	1.5	6000	0.980	FM/VdS/LPCB
PIPE35CS	35.0	1.5	6000	1.240	FM/VdS/LPCB
PIPE42CS	42.0	1.5	6000	1.503	FM/VdS/LPCB
PIPE54CS	54.0	1.5	6000	1.972	FM/VdS/LPCB

Note: Galvanized carbon steel press tube can be recognized by a transparent plastic cover cap

Stainless Steel 1.4401

Art. Nr.	Outside Ø mm	Pipe Thickness (B)	Length (A) mm	kg /mtr	Approval
PIPE22SS1	22.0	1.2	6000	0.624	FM/VdS/LPCB
PIPE28SS1	28.0	1.2	6000	0.790	FM/VdS/LPCB
PIPE35SS1	35.0	1.5	6000	1.320	FM/VdS/LPCB
PIPE42SS1	42.0	1.5	6000	1.620	FM/VdS/LPCB
PIPE54SS1	54.0	1.5	6000	2.098	FM/VdS/LPCB
PIPE76SS1	76.1	2.0	6000	3.710	FM/VdS
PIPE89SS1	88.9	2.0	6000	4.460	FM/VdS
PIPE108SS1	108.0	2.0	6000	5.310	FM/VdS

Stainless Steel 1.4520

Art. Nr.	Outside Ø mm	Pipe Thickness (B)	Length (A) mm	kg /mtr	Approval
PIPE22SS2	22.0	1.2	6000	0.624	FM
PIPE28SS2	28.0	1.2	6000	0.790	FM
PIPE35SS2	35.0	1.5	6000	1.320	FM
PIPE42SS2	42.0	1.5	6000	1.620	FM
PIPE54SS2	54.0	1.5	6000	2.098	FM

Stainless Steel 1.4521

Art. Nr.	Outside Ø mm	Pipe Thickness (B)	Length (A) mm	kg /mtr	Approval
PIPE22SS3	22.0	1.2	6000	0.624	FM
PIPE28SS3	28.0	1.2	6000	0.790	FM
PIPE35SS3	35.0	1.5	6000	1.320	FM
PIPE42SS3	42.0	1.5	6000	1.620	FM
PIPE54SS3	54.0	1.5	6000	2.098	FM

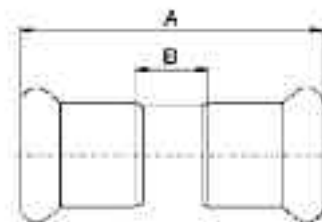
Note: Stainless steel press tube can be recognized by a green plastic cover cap

For further information see G-Press catalogue reference 'TYCENPRESS'.

General notes: It is the Designer's responsibility to select products suitable for the intended service and to ensure that pressure ratings and performance data is not exceeded. Always read and understand the installation instructions. Never remove any piping components nor correct or modify any piping deficiencies without first depressurizing and draining the system. Material and gasket selection should be verified with the gasket recommendation listing for the specific application.

G-Press G05 Straight coupling (2x press)

- R** Прямая муфта G-Press G05 (запрессовываемая с 2-х сторон)
- T** G-Press G05 Düz kaplin (2x pres)



Galvanized Carbon Steel					
Art. Nr.	Dimensions mm	A mm	B mm	Kg	Approval
G05221	22x22	55.0	13.0	0.067	FM
G05281	28x28	59.0	13.0	0.075	FM
G05351	35x35	65.0	13.0	0.123	FM
G05421	42x42	76.0	16.0	0.148	FM
G05541	54x54	86.0	16.0	0.200	FM

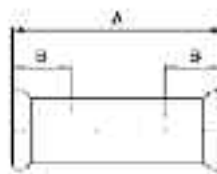
Stainless Steel 316L / 1.4404					
Art. Nr.	Dimensions mm	A mm	B mm	Kg	Approval
G05224	22x22	52.0	10.0	0.056	FM/VdS/LPCB
G05284	28x28	56.2	10.2	0.075	FM/VdS/LPCB
G05354	35x35	62.3	10.3	0.123	FM/VdS/LPCB
G05424	42x42	73.3	13.3	0.154	FM/VdS/LPCB
G05544	54x54	83.0	13.0	0.221	FM/VdS/LPCB
G05764	76x76	142.0	32.0	0.604	FM/VdS
G05894	89x89	163.0	37.0	0.837	FM/VdS
G051084	108x108	192.0	38.0	1.193	FM/VdS

For further information see G-Press catalogue reference 'TYCENPRESS'.

General notes: It is the Designer's responsibility to select products suitable for the intended service and to ensure that pressure ratings and performance data is not exceeded. Always read and understand the installation instructions. Never remove any piping components nor correct or modify any piping deficiencies without first depressurizing and draining the system. Material and gasket selection should be verified with the gasket recommendation listing for the specific application.

G-Press G10 Slip coupling (2x press)

- R** Гладкая муфта G-Press G10 (запрессовываемая с 2-х сторон)
- T** G-Press G10 Slip kaplin (2x pres)



Galvanized Carbon Steel

Art. Nr.	Dimensions mm	A mm	B mm	Kg	Approval
G10221	22x22	84.0	25.0	0.084	FM/VdS/LPCB
G10281	28x28	91.0	30.0	0.112	FM/VdS/LPCB
G10351	35x35	102.0	30.0	0.158	FM/VdS/LPCB
G10421	42x42	120.0	40.0	0.253	FM/VdS/LPCB
G10541	54x54	140.0	40.0	0.368	FM/VdS/LPCB

Stainless Steel 316L / 1.4404

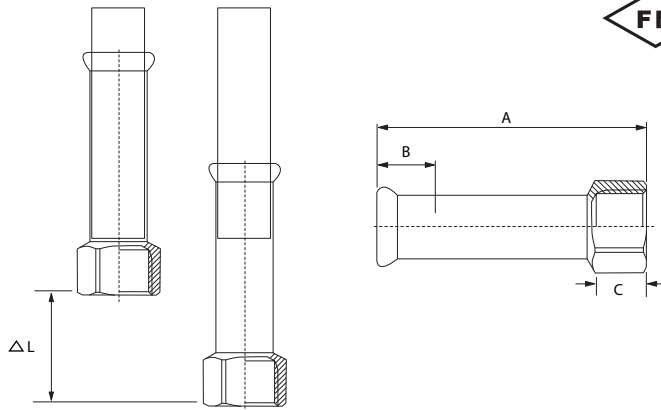
Art. Nr.	Dimensions mm	A mm	B mm	Kg	Approval
G10224	22x22	84.0	25.0	0.084	FM/VdS/LPCB
G10284	28x28	91.2	30.0	0.112	FM/VdS/LPCB
G10354	35x35	102.2	30.0	0.158	FM/VdS/LPCB
G10424	42x42	120.3	40.0	0.253	FM/VdS/LPCB
G10544	54x54	140.0	40.0	0.368	FM/VdS/LPCB
G10764	76x76	230.0	60.0	0.874	FM/VdS
G10894	89x89	258.0	70.0	1.196	FM/VdS
G101084	108x108	305.0	80.0	1.775	FM/VdS

For further information see G-Press catalogue reference 'TYCENPRESS'.

General notes: It is the Designer's responsibility to select products suitable for the intended service and to ensure that pressure ratings and performance data is not exceeded. Always read and understand the installation instructions. Never remove any piping components nor correct or modify any piping deficiencies without first depressurizing and draining the system. Material and gasket selection should be verified with the gasket recommendation listing for the specific application.

G-Press G11 Slip coupling (press x female thread)

- Р Гладкая муфта G-Press G11 (запрессовываемая x внутр.резьба)
- T G-Press G11 Slip kaplin (pres x dişi dişli)



Galvanized Carbon Steel

Art. Nr.	Dimensions mm	A mm	B mm	C mm	ΔL mm	Kg	Approval
G1122TB1	22xRp1/2	92.0	25.0	15.0	40.0	0.117	FM/VdS
G1122TC1	22xRp3/4	97.0	25.0	16.0	40.0	0.140	FM/VdS
G1128TB1	28xRp1/2	94.0	30.0	15.0	40.0	0.152	FM/VdS
G1128TC1	28xRp3/4	93.0	30.0	16.0	40.0	0.189	FM/VdS

Stainless Steel 316L / 1.4404

Art. Nr.	Dimensions mm	A mm	B mm	C mm	ΔL mm	Kg	Approval
G1122TB4	22xRp1/2	89.0	25.0	15.0	40.0	0.133	FM/VdS
G1122TC4	22xRp3/4	94.0	25.0	16.0	40.0	0.145	FM/VdS
G1128TB4	28xRp1/2	91.0	30.0	15.0	40.0	0.172	FM/VdS
G1128TC4	28xRp3/4	91.0	30.0	16.0	40.0	0.187	FM/VdS

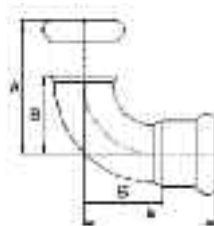
For further information see G-Press catalogue reference 'TYCENPRESS'!

General notes: It is the Designer's responsibility to select products suitable for the intended service and to ensure that pressure ratings and performance data is not exceeded. Always read and understand the installation instructions. Never remove any piping components nor correct or modify any piping deficiencies without first depressurizing and draining the system. Material and gasket selection should be verified with the gasket recommendation listing for the specific application.

G-Press G15 Elbow 90° (2x press)

R Отвод G-Press G15 90° (запрессовываемая с 2-х сторон)

T G-Press G15 Dirsek 90° (2x pres)



Galvanized Carbon Steel					
Art. Nr.	Dimensions mm	A mm	B mm	kg	Approval
G15221	22x22	51.0	30.0	0.106	FM/VdS/LPCB
G15281	28x28	60.0	37.0	0.157	FM/VdS/LPCB
G15351	35x35	71.0	45.0	0.215	FM/VdS/LPCB
G15421	42x42	86.0	56.0	0.329	FM/VdS/LPCB
G15541	54x54	105.0	70.0	0.489	FM/VdS/LPCB

Stainless Steel 316L / 1.4404					
Art. Nr.	Dimensions mm	A mm	B mm	kg	Approval
G15224	22x22	51.0	30.0	0.109	FM/VdS/LPCB
G15284	28x28	60.1	37.1	0.165	FM/VdS/LPCB
G15354	35x35	71.1	45.1	0.312	FM/VdS/LPCB
G15424	42x42	86.1	56.1	0.103	FM/VdS/LPCB
G15544	54x54	105.0	70.0	0.220	FM/VdS/LPCB
G15764	76x76	150.0	95.0	0.977	FM/VdS
G15894	89x89	175.0	112.0	1.325	FM/VdS
G151084	108x108	214.0	136.0	2.091	FM/VdS

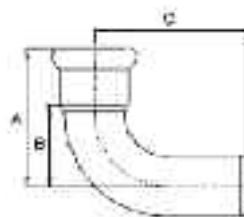
For further information see G-Press catalogue reference 'TYCENPRESS'.

General notes: It is the Designer's responsibility to select products suitable for the intended service and to ensure that pressure ratings and performance data is not exceeded. Always read and understand the installation instructions. Never remove any piping components nor correct or modify any piping deficiencies without first depressurizing and draining the system. Material and gasket selection should be verified with the gasket recommendation listing for the specific application.

G-Press G16 Elbow 90° (press x male)

R Отвод G-Press G16 90° (запрессовываемый х наружное соединение)

T G-Press G16 Dirsek 90° (pres x erkek)



Galvanized Carbon Steel

Art. Nr.	Dimensions mm	A mm	B mm	C mm	kg	Approval
G16221	22x22	51.0	30.0	58.1	0.108	FM/VdS/LPCB
G16281	28x28	60.0	37.0	65.5	0.116	FM/VdS/LPCB
G16351	35x35	71.0	45.0	75.9	0.208	FM/VdS/LPCB
G16421	42x42	86.0	56.0	92.5	0.329	FM/VdS/LPCB
G16541	54x54	105.0	70.0	110.6	0.496	FM/VdS/LPCB

Stainless Steel 316L / 1.4404

Art. Nr.	Dimensions mm	A mm	B mm	C mm	kg	Approval
G16224	22x22	51.0	30.0	60.0	0.108	FM/VdS/LPCB
G16284	28x28	60.1	37.1	65.5	0.158	FM/VdS/LPCB
G16354	35x35	71.1	45.1	75.9	0.320	FM/VdS/LPCB
G16424	42x42	86.1	56.1	92.5	0.103	FM/VdS/LPCB
G16544	54x54	105.0	70.0	110.6	0.226	FM/VdS/LPCB
G16764	76x76	150.0	95.0	165.0	0.982	FM/VdS
G16894	89x89	174.0	112.0	190.0	1.371	FM/VdS
G161084	108x108	216.0	137.0	238.0	2.068	FM/VdS

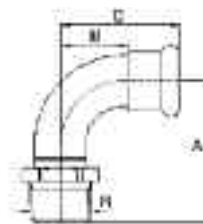
For further information see G-Press catalogue reference 'TYCENPRESS'.

General notes: It is the Designer's responsibility to select products suitable for the intended service and to ensure that pressure ratings and performance data is not exceeded. Always read and understand the installation instructions. Never remove any piping components nor correct or modify any piping deficiencies without first depressurizing and draining the system. Material and gasket selection should be verified with the gasket recommendation listing for the specific application.

G-Press G17 Elbow 90° (press x male thread)

R Отвод G-Press G17 90° (запрессовываемый x наружная резьба)

T G-Press G17 Dirsek 90° (pres x erkek dişli)



Galvanized Carbon Steel

Art. Nr.	Dimensions mm	A mm	B mm	C mm	Kg	Approval
G1722TC1	22xR3/4	61.5	30.0	51.0	0.162	FM/VdS/LPCB
G1728TD1	28xR1	73.5	37.0	60.0	0.234	FM/VdS/LPCB
G1735TE1	35xR1.1/4	85.5	45.0	71.0	0.376	FM/VdS/LPCB
G1742TF1	42xR1.1/2	95.5	56.0	86.0	0.486	FM/VdS/LPCB
G1754TG1	54xR2	115.5	70.0	105.0	0.724	FM/VdS/LPCB

Stainless Steel 316L / 1.4404

Art. Nr.	Dimensions mm	A mm	B mm	C mm	Kg	Approval
G1722TC4	22xR3/4	48.5	27.5	38.5	0.274	FM/VdS/LPCB
G1728TD4	28xR1	53.0	30.0	46.0	0.230	FM/VdS/LPCB
G1735TE4	35xR1.1/4	60.0	34.0	52.0	0.368	FM/VdS/LPCB
G1742TF4	42xR1.1/2	69.0	39.0	58.0	0.502	FM/VdS/LPCB
G1754TG4	54xR2	82.0	47.0	68.0	0.839	FM/VdS/LPCB

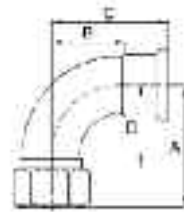
For further information see G-Press catalogue reference 'TYCENPRESS'.

General notes: It is the Designer's responsibility to select products suitable for the intended service and to ensure that pressure ratings and performance data is not exceeded. Always read and understand the installation instructions. Never remove any piping components nor correct or modify any piping deficiencies without first depressurizing and draining the system. Material and gasket selection should be verified with the gasket recommendation listing for the specific application.

G-Press G18 Elbow 90° (press x female thread)

R Отвод G-Press G18 90° (запрессовываемый х внутренняя резьба)

T G-Press G18 Dirsek 90° (pres x dişi dişli)



Galvanized Carbon Steel

Art. Nr.	Dimensions mm	A mm	B mm	C mm	D mm	Kg	Approval
G1822TB1	22xRp1/2	59.0	30.0	51.0	43.0	0.155	FM/VdS/LPCB
G1822TC1	22xRp3/4	59.0	30.0	51.0	43.0	0.154	FM/VdS/LPCB
G1828TB1	28xRp1/2	65.0	37.0	60.0	46.0	0.198	FM/VdS/LPCB
G1828TC1	28xRp3/4	65.0	37.0	60.0	46.0	0.175	FM/VdS/LPCB
G1828TD1	28xRp1	69.5	37.0	60.0	50.5	0.175	FM/VdS/LPCB
G1835TB1	35xRp1/2	74.5	45.0	71.0	54.0	0.352	FM/VdS/LPCB
G1835TC1	35xRp3/4	74.5	45.0	71.0	54.0	0.322	FM/VdS/LPCB
G1835TD1	35xRp1	74.5	45.0	71.0	54.0	0.323	FM/VdS/LPCB

Stainless Steel 316L / 1.4404

Art. Nr.	Dimensions mm	A mm	B mm	C mm	D mm	Kg	Approval
G1822TB4	22xRp1/2	31.0	24.0	45.0	16.0	0.285	FM/VdS/LPCB
G1822TC4	22xRp3/4	33.0	27.5	48.5	16.7	0.262	FM/VdS/LPCB
G1828TB4	28xRp1/2	35.0	24.5	47.5	16.0	0.320	FM/VdS/LPCB
G1828TC4	28xRp3/4	35.0	27.5	50.5	18.5	0.295	FM/VdS/LPCB
G1828TD4	28xRp1	37.0	31.5	54.5	17.5	0.260	FM/VdS/LPCB
G1835TB4	35xRp1/2	35.0	30.0	56.0	20.0	0.477	FM/VdS
G1835TC4	35xRp3/4	37.0	31.5	57.5	21.0	0.452	FM/VdS
G1835TD4	35xRp1	40.5	32.0	58.0	21.0	0.417	FM/VdS

For further information see G-Press catalogue reference 'TYCENPRESS'.

General notes: It is the Designer's responsibility to select products suitable for the intended service and to ensure that pressure ratings and performance data is not exceeded. Always read and understand the installation instructions. Never remove any piping components nor correct or modify any piping deficiencies without first depressurizing and draining the system. Material and gasket selection should be verified with the gasket recommendation listing for the specific application.

G-Press G20 Elbow 45° (2x press)

R Отвод G-Press G20 45° (запрессовываемая с 2-х сторон)

T G-Press G20 Dirsek 45° (2x pres)



G20



✓ ISO 9001
✓ approved products



Galvanized Carbon Steel

Art. Nr.	Dimensions mm	A mm	B mm	Kg	Approval
G20221	22x22	35.2	14.2	0.131	FM/VdS/LPCB
G20281	28x28	40.1	17.1	0.173	FM/VdS/LPCB
G20351	35x35	46.4	20.4	0.186	FM/VdS/LPCB
G20421	42x42	56.1	26.1	0.274	FM/VdS/LPCB
G20541	54x54	66.9	31.9	0.323	FM/VdS/LPCB

Stainless Steel 316L / 1.4404

Art. Nr.	Dimensions mm	A mm	B mm	Kg	Approval
G20224	22x22	35.2	14.2	0.130	FM/VdS/LPCB
G20284	28x28	40.2	17.2	0.173	FM/VdS/LPCB
G20354	35x35	46.5	20.5	0.090	FM/VdS/LPCB
G20424	42x42	56.3	26.3	0.210	FM/VdS/LPCB
G20544	54x54	66.9	31.9	0.256	FM/VdS/LPCB
G20764	76x76	98.0	43.0	0.773	FM/VdS
G20894	89x89	112.0	49.0	0.991	FM/VdS
G201084	108x108	138.0	61.0	1.600	FM/VdS

For further information see G-Press catalogue reference 'TYCENPRESS'.

General notes: It is the Designer's responsibility to select products suitable for the intended service and to ensure that pressure ratings and performance data is not exceeded. Always read and understand the installation instructions. Never remove any piping components nor correct or modify any piping deficiencies without first depressurizing and draining the system. Material and gasket selection should be verified with the gasket recommendation listing for the specific application.

G-Press G21 Elbow 45° (press x male)

R Отвод G-Press G21 45° (запрессовываемый х наружное соединение)

T G-Press G21 Dirsek 45° (pres x erkek)



Galvanized Carbon Steel

Art. Nr.	Dimensions mm	A mm	B mm	C mm	Kg	Approval
G21221	22x22	35.2	14.2	42.3	0.131	FM/VdS/LPCB
G21281	28x28	40.1	17.1	45.6	0.171	FM/VdS/LPCB
G21351	35x35	46.4	20.4	51.3	0.186	FM/VdS/LPCB
G21421	42x42	56.1	26.1	62.6	0.274	FM/VdS/LPCB
G21541	54x54	66.9	31.9	72.5	0.323	FM/VdS/LPCB

Stainless Steel 316L / 1.4404

Art. Nr.	Dimensions mm	A mm	B mm	C mm	Kg	Approval
G21224	22x22	35.2	14.2	42.3	0.131	FM/VdS/LPCB
G21284	28x28	40.2	17.2	45.6	0.155	FM/VdS/LPCB
G21354	35x35	46.5	20.5	51.3	0.090	FM/VdS/LPCB
G21424	42x42	56.3	26.3	62.6	0.210	FM/VdS/LPCB
G21544	54x54	66.9	31.9	72.5	0.256	FM/VdS/LPCB
G21764	76x76	98.0	43.0	117.0	0.767	FM/VdS
G21894	89x89	112.0	49.0	131.0	0.998	FM/VdS
G211084	108x108	138.0	61.0	154.0	1.510	FM/VdS

For further information see G-Press catalogue reference 'TYCENPRESS'.

General notes: It is the Designer's responsibility to select products suitable for the intended service and to ensure that pressure ratings and performance data is not exceeded. Always read and understand the installation instructions. Never remove any piping components nor correct or modify any piping deficiencies without first depressurizing and draining the system. Material and gasket selection should be verified with the gasket recommendation listing for the specific application.

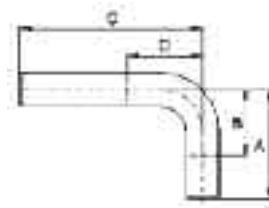
G-Press G25 Bend 90° (2x male)

R Отвод G-Press G25 90° (наружное соединение)

T G-Press G25 Bükme 90° (2x erkek)



G25



ISO 9001
approved products

Galvanized Carbon Steel

Art. Nr.	Dimensions mm	A mm	B mm	C mm	D mm	Kg	Approval
G25221	22x22	72.0	70.0	120.0	70.0	0.142	FM/VdS/LPCB
G25281	28x28	82.0	80.0	120.0	80.0	0.230	FM/VdS/LPCB
G25351	35x35	120.0	100.0	200.0	100.0	0.471	FM/VdS/LPCB
G25421	42x42	150.0	120.0	250.0	120.0	0.611	FM/VdS/LPCB
G25541	54x54	200.0	145.0	300.0	145.0	1.184	FM/VdS/LPCB

Stainless Steel 316L / 1.4404

Art. Nr.	Dimensions mm	A mm	B mm	C mm	D mm	Kg	Approval
G25224	22x22	120.0	70.0	72.0	70.0	0.155	FM/VdS/LPCB
G25284	28x28	120.0	80.0	82.0	80.0	0.212	FM/VdS/LPCB
G25354	35x35	200.0	100.0	120.0	100.0	0.422	FM/VdS/LPCB
G25424	42x42	250.0	120.0	150.0	120.0	0.648	FM/VdS/LPCB
G25544	54x54	300.0	145.0	200.0	145.0	1.065	FM/VdS/LPCB

For further information see G-Press catalogue reference 'TYCENPRESS'.

General notes: It is the Designer's responsibility to select products suitable for the intended service and to ensure that pressure ratings and performance data is not exceeded. Always read and understand the installation instructions. Never remove any piping components nor correct or modify any piping deficiencies without first depressurizing and draining the system. Material and gasket selection should be verified with the gasket recommendation listing for the specific application.

G-Press G30 Crossover (2x male)

● R Перепускник G-Press G30 (наружное соединение)

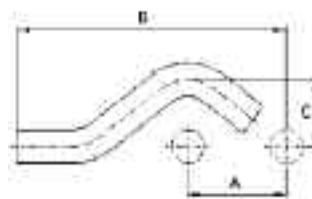
● T G-Press G30 Çaprazgeçiş (2x erkek)



G30



✓ ISO 9001
✓ approved products



Galvanized Carbon Steel

Art. Nr.	Dimensions mm	A mm	B mm	C mm	⊘ Kg	Approval
G30221	22x22	64.5	177.0	37.0	0.145	FM/VdS/LPCB
G30281	28x28	75.0	215.0	43.0	0.273	FM/VdS/LPCB

Stainless Steel 316L / 1.4404

Art. Nr.	Dimensions mm	A mm	B mm	C mm	⊘ Kg	Approval
G30224	22x22	178.0	44.0	65.0	0.142	FM/VdS/LPCB
G30284	28x28	210.0	50.0	74.0	0.217	FM/VdS/LPCB

For further information see G-Press catalogue reference 'TYCENPRESS'.

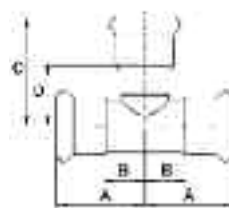
General notes: It is the Designer's responsibility to select products suitable for the intended service and to ensure that pressure ratings and performance data is not exceeded. Always read and understand the installation instructions. Never remove any piping components nor correct or modify any piping deficiencies without first depressurizing and draining the system. Material and gasket selection should be verified with the gasket recommendation listing for the specific application.

G-Press G35 Tee equal (3x press)

- R Равнопроходной тройник G-Press G35 (запрессовываемый с 3-х сторон.)
- T G-Press G35 Eşit te (3x pres)



G35



Galvanized Carbon Steel

Art. Nr.	Dimensions mm	A mm	B mm	C mm	D mm	kg	Approval
G35221	22x22x22	39.5	18.5	48.5	27.5	0.108	FM/VdS/LPCB
G35281	28x28x28	44.5	21.5	53.5	30.5	0.150	FM/VdS/LPCB
G35351	35x35x35	51.0	25.0	60.0	34.0	0.210	FM/VdS/LPCB
G35421	42x42x42	60.0	30.0	66.5	36.5	0.294	FM/VdS/LPCB
G35541	54x54x54	71.0	36.0	77.5	42.5	0.431	FM/VdS/LPCB

Stainless Steel 316L / 1.4404

Art. Nr.	Dimensions mm	A mm	B mm	C mm	D mm	kg	Approval
G35224	22x22x22	39.5	18.5	43.5	22.5	0.108	FM/VdS/LPCB
G35284	28x28x28	44.5	21.5	48.5	25.5	0.150	FM/VdS/LPCB
G35354	35x35x35	51.0	25.0	55.0	29.0	0.210	FM/VdS/LPCB
G35424	42x42x42	60.0	30.0	61.5	31.5	0.294	FM/VdS/LPCB
G35544	54x54x54	71.0	36.0	72.5	37.5	0.430	FM/VdS/LPCB
G35764	76x76x76	116.0	61.0	115.0	60.0	1.192	FM/VdS
G35894	89x89x89	131.0	68.0	127.0	64.0	1.617	FM/VdS
G351084	108x108x108	156.0	79.0	155.0	78.0	2.450	FM/VdS

For further information see G-Press catalogue reference 'TYCENPRESS'.

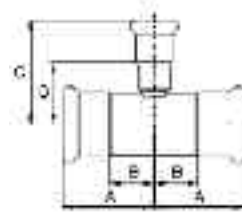
General notes: It is the Designer's responsibility to select products suitable for the intended service and to ensure that pressure ratings and performance data is not exceeded. Always read and understand the installation instructions. Never remove any piping components nor correct or modify any piping deficiencies without first depressurizing and draining the system. Material and gasket selection should be verified with the gasket recommendation listing for the specific application.

G-Press G36 Tee reduced (3x press)

- R** Переходной тройник G-Press G36 (запрессовываемый с 3-х сторон)
- T** G-Press G36 Redüksiyonlu te (3x pres)



G36



Galvanized Carbon Steel

Art. Nr.	Dimensions mm	A mm	B mm	C mm	D mm	Kg	Approval
G362228221	22x28x22	39.5	18.5	52.0	29.0	0.122	FM/VdS/LPCB
G362822281	28x22x28	44.5	21.5	51.5	30.5	0.139	FM/VdS/LPCB
G363522351	35x22x35	51.0	25.0	55.0	34.0	0.183	FM/VdS/LPCB
G363528351	35x28x35	51.0	25.0	57.0	34.0	0.193	FM/VdS/LPCB
G364222421	42x22x42	60.0	30.0	57.5	36.5	0.245	FM/VdS/LPCB
G364228421	42x28x42	60.0	30.0	59.5	36.5	0.255	FM/VdS/LPCB
G364235421	42x35x42	60.0	30.0	62.5	36.5	0.269	FM/VdS/LPCB
G365422541	54x22x54	71.0	36.0	63.5	42.5	0.350	FM/VdS/LPCB
G365428541	54x28x54	71.0	36.0	65.5	42.5	0.360	FM/VdS/LPCB
G365435541	54x35x54	71.0	36.0	68.5	42.5	0.375	FM/VdS/LPCB
G365442541	54x42x54	71.0	36.0	72.5	42.5	0.393	FM/VdS/LPCB

Stainless Steel 316L / 1.4404

Art. Nr.	Dimensions mm	A mm	B mm	C mm	D mm	Kg	Approval
G362822284	28x22x28	44.5	21.5	46.5	25.5	0.139	FM/VdS/LPCB
G363522354	35x22x35	51.0	25.0	50.0	29.0	0.183	FM/VdS/LPCB
G363528354	35x28x35	51.0	25.0	52.0	29.0	0.193	FM/VdS/LPCB
G364222424	42x22x42	60.0	30.0	52.5	31.5	0.244	FM/VdS/LPCB
G364228424	42x28x42	60.0	30.0	54.5	31.5	0.254	FM/VdS/LPCB
G364235424	42x35x42	60.0	30.0	57.5	31.5	0.269	FM/VdS/LPCB
G365422544	54x22x54	71.0	36.0	58.5	37.5	0.350	FM/VdS/LPCB
G365428544	54x28x54	71.0	36.0	60.5	37.5	0.360	FM/VdS/LPCB
G365435544	54x35x54	71.0	36.0	63.5	37.5	0.374	FM/VdS/LPCB
G365442544	54x42x54	71.0	36.0	67.5	37.5	0.393	FM/VdS/LPCB
G367622764	76x22x76	116.0	61.0	68.0	45.0	0.942	FM/VdS
G367628764	76x28x76	116.0	61.0	71.0	47.0	0.956	FM/VdS
G367635764	76x35x76	116.0	61.0	75.0	48.0	0.968	FM/VdS
G367642764	76x42x76	116.0	61.0	79.0	47.0	0.981	FM/VdS
G367654764	76x54x76	116.0	61.0	80.0	43.0	1.067	FM/VdS
G368922894	89x22x89	131.0	68.0	76.0	53.0	1.256	FM/VdS
G368928894	89x28x89	131.0	68.0	76.0	52.0	1.244	FM/VdS
G368935894	89x35x89	131.0	68.0	83.0	56.0	1.267	FM/VdS
G368942894	89x42x89	131.0	68.0	85.0	53.0	1.271	FM/VdS
G368954894	89x54x89	131.0	68.0	93.0	56.0	1.271	FM/VdS
G368976894	89x76x89	131.0	68.0	116.0	61.0	1.297	FM/VdS
G360822084	108x22x108	156.0	79.0	85.0	62.0	1.479	FM/VdS
G360828084	108x28x108	156.0	79.0	88.0	64.0	1.919	FM/VdS
G360835084	108x35x108	156.0	79.0	94.0	67.0	1.939	FM/VdS
G360842084	108x42x108	156.0	79.0	96.0	64.0	1.955	FM/VdS
G360854084	108x54x108	156.0	79.0	102.0	65.0	1.967	FM/VdS
G360876084	108x76x108	156.0	79.0	125.0	70.0	2.147	FM/VdS
G360876084	108x89x108	156.0	79.0	135.0	72.0	2.255	FM/VdS

General notes: It is the Designer's responsibility to select products suitable for the intended service and to ensure that pressure ratings and performance data is not exceeded. Always read and understand the installation instructions. Never remove any piping components nor correct or modify any piping deficiencies without first depressurizing and draining the system. Material and gasket selection should be verified with the gasket recommendation listing for the specific application.

G-Press G37 Tee threaded (press x female thread x press)

- R** Резьбовой тройник G-Press G37 (запрессовываемый x внутренняя резьба x запрессовываемый)
- T** G-Press G37 Dişli te (pres x dişli dişli x pres)



G37



Galvanized Carbon Steel

Art. Nr.	Dimensions mm	A mm	B mm	C mm	D mm	kg	Approval
G3722TB221	22xRp1/2x22	39.5	18.5	39.0	24.0	0.113	FM/VdS/LPCB
G3722TC221	22xRp3/4x22	39.5	18.5	41.0	24.7	0.135	FM/VdS/LPCB
G3728TB281	28xRp1/2x28	44.5	21.5	42.0	27.0	0.145	FM/VdS/LPCB
G3728TC281	28xRp3/4x28	44.5	21.5	44.0	27.7	0.165	FM/VdS/LPCB
G3728TD281	28xRp1x28	44.5	21.5	48.0	29.0	0.251	FM/VdS/LPCB
G3735TB351	35xRp1/2x35	51.0	25.0	45.5	30.5	0.189	FM/VdS/LPCB
G3735TC351	35xRp3/4x35	51.0	25.0	47.5	31.2	0.209	FM/VdS/LPCB
G3735TD351	35xRp1x35	51.0	25.0	51.5	32.5	0.295	FM/VdS/LPCB
G3742TB421	42xRp1/2x42	60.0	30.0	48.0	33.0	0.248	FM/VdS/LPCB
G3742TC421	42xRp3/4x42	60.0	30.0	50.0	33.7	0.271	FM/VdS/LPCB
G3742TD421	42xRp1x42	60.0	30.0	54.0	35.0	0.357	FM/VdS/LPCB
G3754TB541	54xRp1/2x54	71.0	36.0	54.0	39.0	0.357	FM/VdS/LPCB
G3754TC541	54xRp3/4x54	71.0	36.0	56.0	39.7	0.377	FM/VdS/LPCB
G3754TD541	54xRp1x54	71.0	36.0	60.0	41.0	0.462	FM/VdS/LPCB

Stainless Steel 316L / 1.4404

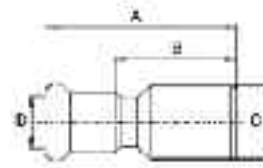
Art. Nr.	Dimensions mm	A mm	B mm	C mm	D mm	kg	Approval
G3722TB224	22xRp1/2x22	39.5	18.5	37.0	22.0	0.128	FM/VdS/LPCB
G3722TC224	22xRp3/4x22	39.5	18.5	39.0	23.0	0.140	FM/VdS/LPCB
G3728TB284	28xRp1/2x28	44.5	21.5	40.0	25.0	0.158	FM/VdS/LPCB
G3728TC284	28xRp3/4x28	44.5	21.5	42.0	26.0	0.170	FM/VdS/LPCB
G3728TD284	28xRp1x28	44.5	21.5	46.0	27.5	0.212	FM/VdS/LPCB
G3735TB354	35xRp1/2x35	51.0	25.0	43.5	28.5	0.203	FM/VdS/LPCB
G3735TC354	35xRp3/4x35	51.0	25.0	45.5	29.5	0.215	FM/VdS/LPCB
G3735TD354	35xRp1x35	51.0	25.0	50.0	31.0	0.254	FM/VdS/LPCB
G3742TB424	42xRp1/2x42	60.0	30.0	46.0	31.0	0.261	FM/VdS/LPCB
G3742TC424	42xRp3/4x42	60.0	30.0	48.0	32.0	0.276	FM/VdS/LPCB
G3742TD424	42xRp1x42	60.0	30.0	52.5	33.5	0.310	FM/VdS/LPCB
G3754TB544	54xRp1/2x54	71.0	36.0	52.0	37.0	0.370	FM/VdS/LPCB
G3754TC544	54xRp3/4x54	71.0	36.0	54.0	38.0	0.382	FM/VdS/LPCB
G3754TD544	54xRp1x54	71.0	36.0	58.0	39.0	0.673	FM/VdS/LPCB
G3776TC764	76xRp3/4x76	116.0	61.0	68.0	55.0	1.009	FM/VdS
G3789TC894	89xRp3/4x89	131.0	68.0	87.0	74.0	1.210	FM/VdS
G3708TC084	108xRp3/4x108	156.0	79.0	86.0	73.0	1.956	FM/VdS

For further information see G-Press catalogue reference 'TYCENPRESS'.

General notes: It is the Designer's responsibility to select products suitable for the intended service and to ensure that pressure ratings and performance data is not exceeded. Always read and understand the installation instructions. Never remove any piping components nor correct or modify any piping deficiencies without first depressurizing and draining the system. Material and gasket selection should be verified with the gasket recommendation listing for the specific application.

G-Press G40 Reducer (press x male)

- R** Переходник G-Press G40 (запрессовываемый x наружная резьба)
- T** G-Press G40 Redüksiyon r (pres x erkek)



Galvanized Carbon Steel

Art. Nr.	Dimensions mm	A mm	B mm	C mm	D mm	Kg	Approval
G4028221	28x22	63.0	42.0	28.0	22.0	0.064	FM/VdS/LPCB
G4035221	35x22	68.0	47.0	35.0	22.0	0.080	FM/VdS/LPCB
G4035281	35x28	69.0	46.0	35.0	28.0	0.087	FM/VdS/LPCB
G4042221	42x22	80.0	59.0	42.0	22.0	0.077	FM/VdS/LPCB
G4042281	42x28	79.0	56.0	42.0	28.0	0.101	FM/VdS/LPCB
G4042351	42x35	76.0	50.0	42.0	35.0	0.127	FM/VdS/LPCB
G4054221	54x22	89.0	68.0	54.0	22.0	0.200	FM/VdS/LPCB
G4054281	54x28	87.0	64.0	54.0	28.0	0.123	FM/VdS/LPCB
G4054351	54x35	89.0	63.0	54.0	35.0	0.141	FM/VdS/LPCB
G4054421	54x42	91.0	61.0	54.0	42.0	0.183	FM/VdS/LPCB

Stainless Steel 316L / 1.4404

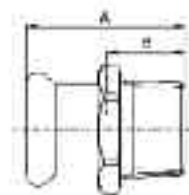
Art. Nr.	Dimensions mm	A mm	B mm	C mm	D mm	Kg	Approval
G4028224	28x22	61.2	40.2	28.0	22.0	0.062	FM/VdS/LPCB
G4035224	35x22	69.0	48.0	35.0	22.0	0.077	FM/VdS/LPCB
G4035284	35x28	68.1	45.1	35.0	28.0	0.084	FM/VdS/LPCB
G4042224	42x22	84.5	63.5	42.0	22.0	0.137	FM/VdS
G4042284	42x28	77.9	54.9	42.0	28.0	0.114	FM/VdS/LPCB
G4042354	42x35	77.6	51.6	42.0	35.0	0.120	FM/VdS/LPCB
G4054224	54x22	96.5	75.5	54.0	22.0	0.203	FM/VdS
G4054284	54x28	95.5	72.5	54.0	28.0	0.197	FM/VdS
G4054354	54x35	94.6	68.6	54.0	35.0	0.242	FM/VdS/LPCB
G4054424	54x42	95.1	65.1	54.0	42.0	0.173	FM/VdS/LPCB
G4076424	76x42	151.0	119.0	76.1	42.0	0.425	FM/VdS
G4076544	76x54	140.0	103.0	76.1	54.0	0.451	FM/VdS
G4089544	89x54	156.0	119.0	88.9	54.0	0.586	FM/VdS
G4089764	89x76	156.0	101.0	88.9	76.1	0.653	FM/VdS
G40108544	108x54	204.0	167.0	108.0	54.0	0.880	FM/VdS
G40108764	108x76	196.0	141.0	108.0	76.1	0.978	FM/VdS
G40108894	108x89	196.0	127.0	108.0	88.9	0.992	FM/VdS

For further information see G-Press catalogue reference 'TYCENPRESS'.

General notes: It is the Designer's responsibility to select products suitable for the intended service and to ensure that pressure ratings and performance data is not exceeded. Always read and understand the installation instructions. Never remove any piping components nor correct or modify any piping deficiencies without first depressurizing and draining the system. Material and gasket selection should be verified with the gasket recommendation listing for the specific application.

G-Press G45 Straight connector (press x male thread)

- R Прямой соединитель G-Press G45 (запрессовываемый x наружная резьба)
- T G-Press G45 Düz bağlantı ı (pres x erkek dişli)



Galvanized Carbon Steel

Art. Nr.	Dimensions mm	A mm	B mm	Kg	Approval
G4522TB1	22xR1/2	43.0	22.0	0.074	FM/VdS/LPCB
G4522TC1	22xR3/4	44.0	23.0	0.081	FM/VdS/LPCB
G4522TD1	22xR1	50.0	29.0	0.095	FM/VdS/LPCB
G4528TC1	28xR3/4	46.0	23.0	0.101	FM/VdS/LPCB
G4528TD1	28xR1	48.0	25.0	0.131	FM/VdS/LPCB
G4535TE1	35xR1.1/4	55.0	29.0	0.190	FM/VdS/LPCB
G4542TF1	42xR1.1/2	59.0	29.0	0.242	FM/VdS/LPCB
G4554TG1	54xR2	69.0	34.0	0.381	FM/VdS/LPCB

Stainless Steel 316L / 1.4404

Art. Nr.	Dimensions mm	A mm	B mm	Kg	Approval
G4522TB4	22xR1/2	42.0	21.0	0.133	FM/VdS/LPCB
G4522TC4	22xR3/4	43.3	22.3	0.083	FM/VdS/LPCB
G4522TD4	22xR1	48.5	27.5	0.149	FM/VdS/LPCB
G4528TC4	28xR3/4	45.2	22.2	0.172	FM/VdS/LPCB
G4528TD4	28xR1	48.0	25.0	0.133	FM/VdS/LPCB
G4528TE4	28xR1.1/4	51.5	28.5	0.198	FM/VdS/LPCB
G4535TD4	35xR1	52.7	26.7	0.210	FM/VdS/LPCB
G4535TE4	35xR1.1/4	55.0	29.0	0.194	FM/VdS/LPCB
G4535TF4	35xR1.1/2	56.0	30.0	0.224	FM/VdS/LPCB
G4542TE4	42xR1.1/4	59.0	29.0	0.274	FM/VdS/LPCB
G4542TF4	42xR1.1/2	59.0	29.0	0.249	FM/VdS/LPCB
G4554TF4	54xR1.1/2	64.7	29.7	0.549	FM/VdS/LPCB
G4554TG4	54xR2	69.0	34.0	0.394	FM/VdS/LPCB
G4576TH4	76xR2.1/2	125.0	70.0	0.820	FM/VdS
G4589TI4	89xR3	138.0	75.0	1.158	FM/VdS

For further information see G-Press catalogue reference 'TYCENPRESS'.

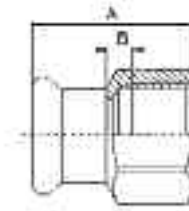
General notes: It is the Designer's responsibility to select products suitable for the intended service and to ensure that pressure ratings and performance data is not exceeded. Always read and understand the installation instructions. Never remove any piping components nor correct or modify any piping deficiencies without first depressurizing and draining the system. Material and gasket selection should be verified with the gasket recommendation listing for the specific application.

G-Press G46 Straight connector (press x female thread)

- R** Прямая сгонная муфта G-Press G46 (запрессовываемая x внутренняя резьба)
- T** G-Press G46 Düz bağlantı ı (pres x dişi dişli)



G46



Galvanized Carbon Steel					
Art. Nr.	Dimensions mm	A mm	B mm	Kg	Approval
G4622TC1	22xR3/4	43.0	5.7	0.086	FM/VdS/LPCB
G4628TB1	28xR1/2	38.0	2.0	0.157	FM/VdS/LPCB
G4628TC1	28xR3/4	40.5	1.0	0.107	FM/VdS/LPCB
G4628TD1	28xR1	49.0	7.0	0.157	FM/VdS/LPCB
G4635TE1	35xR1.1/4	50.0	2.3	0.160	FM/VdS/LPCB

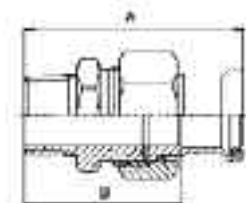
Stainless Steel 316L / 1.4404					
Art. Nr.	Dimensions mm	A mm	B mm	Kg	Approval
G4622TC4	22xRp3/4	39.5	7.5	0.088	FM/VdS/LPCB
G4622TD4	22xRp1	43.6	9.6	0.118	FM/VdS/LPCB
G4628TB4	28xRp1/2	38.0	2.0	0.157	FM/VdS/LPCB
G4628TC4	28xRp3/4	40.0	6.0	0.189	FM/VdS/LPCB
G4628TD4	28xRp1	44.6	8.6	0.160	FM/VdS/LPCB
G4628TE4	28xRp1.1/4	47.0	9.0	0.170	FM/VdS/LPCB
G4635TD4	35xRp1	46.0	7.0	0.154	FM/VdS/LPCB
G4635TE4	35xRp1.1/4	50.0	9.0	0.212	FM/VdS/LPCB
G4635TF4	35xRp1.1/2	50.0	10.0	0.196	FM/VdS/LPCB
G4642TE4	42xRp1.1/4	52.0	3.0	0.285	FM/VdS/LPCB
G4642TF4	42xRp1.1/2	54.0	10.0	0.278	FM/VdS/LPCB
G4654TF4	54xRp1.1/2	58.0	9.0	0.496	FM/VdS/LPCB
G4654TG4	54xRp2	63.0	10.0	0.491	FM/VdS/LPCB

For further information see G-Press catalogue reference 'TYCENPRESS'.

General notes: It is the Designer's responsibility to select products suitable for the intended service and to ensure that pressure ratings and performance data is not exceeded. Always read and understand the installation instructions. Never remove any piping components nor correct or modify any piping deficiencies without first depressurizing and draining the system. Material and gasket selection should be verified with the gasket recommendation listing for the specific application.

G-Press G47 Straight union (press x male thread)

- R Прямой соединитель G-Press G47 (запрессовываемый x наружная резьба)
- T G-Press G47 Düz birleştirme (pres x erkek dişli)



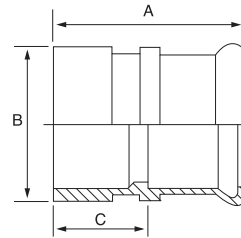
Galvanized Carbon Steel					
Art. Nr.	Dimensions mm	A mm	B mm	⊙ Kg	Approval
G4722TC1	22xR3/4	70.0	49.0	0.206	FM/VdS/LPCB
G4728TD1	28xR1	74.7	51.7	0.322	FM/VdS/LPCB
G4735TE1	35xR1.1/4	81.8	55.8	0.432	FM/VdS/LPCB
G4742TF1	42xR1.1/2	88.0	58.0	0.519	FM/VdS/LPCB
G4754TG1	54xR2	100.0	65.0	0.852	FM/VdS/LPCB

For further information see G-Press catalogue reference 'TYCENPRESS'.

General notes: It is the Designer's responsibility to select products suitable for the intended service and to ensure that pressure ratings and performance data is not exceeded. Always read and understand the installation instructions. Never remove any piping components nor correct or modify any piping deficiencies without first depressurizing and draining the system. Material and gasket selection should be verified with the gasket recommendation listing for the specific application.

G-Press G48 Transition for grooved couplings (press x groove)

- Р Переходник G-Press G48 для гравлочных муфт (запрессовываемый х гравлочное соединение)
- T G-Press G48 Yivli kaplinler için geçiş parçası (pres x yivli)



Galvanized Carbon Steel						
Art. Nr.	Dimensions mm	A mm	B mm	C mm	⊙ Kg	Approval
G4828TD1	28x33.7	72.5	33.7	26.5	0.140	FM/VdS/LPCB
G4835TE1	35x42.4	78.0	42.4	26.0	0.199	FM/VdS/LPCB
G4842TF1	42x48.3	85.0	48.3	25.0	0.241	FM/VdS/LPCB
G4854TG1	54x60.3	96.5	60.3	26.5	0.318	FM/VdS/LPCB

Stainless Steel 316L / 1.4404						
Art. Nr.	Dimensions mm	A mm	B mm	C mm	⊙ Kg	Approval
G4828TD4	28x33.7	72.5	33.7	26.5	0.140	FM/VdS/LPCB
G4835TE4	35x42.4	78.0	42.4	26.0	0.199	FM/VdS/LPCB
G4842TF4	42x48.3	85.0	48.3	25.0	0.241	FM/VdS/LPCB
G4854TG4	54x60.3	96.5	60.3	26.5	0.318	FM/VdS/LPCB
G4876TH4	76.1x76.1	90.0	76.7	36.0	0.425	FM/VdS
G4889TI4	88.9x88.9	100.0	88.9	36.0	0.590	FM/VdS
G48108TJ4	108x114.3	110.0	114.3	36.0	0.990	FM/VdS



Note: Recommended to use figure G48 with Grinnell® Grooved Couplings.

Important note for FM approved installations:
When connecting the G-press system to a grooved system it is mandatory to use the G48 transition coupling

For further information see G-PRESS catalogue reference 'TYCENPRESS'.

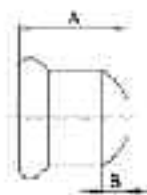
General notes: It is the Designer's responsibility to select products suitable for the intended service and to ensure that pressure ratings and performance data is not exceeded. Always read and understand the installation instructions. Never remove any piping components nor correct or modify any piping deficiencies without first depressurizing and draining the system. Material and gasket selection should be verified with the gasket recommendation listing for the specific application.

G-Press G50 Stop end (1x press)

- R Заглушка G-Press G50 (запрессовываемая)
- T G-Press G50 Kör tapa (1x pres)



G50



Galvanized Carbon Steel					
Art. Nr.	Dimensions mm	A mm	B mm	kg	Approval
G50221	22.0	28.5	7.5	0.030	FM/VdS/LPCB
G50281	28.0	32.3	9.3	0.042	FM/VdS/LPCB
G50351	35.0	34.4	8.4	0.063	FM/VdS/LPCB
G50421	42.0	43.2	13.2	0.089	FM/VdS/LPCB
G50541	54.0	51.8	16.8	0.145	FM/VdS/LPCB

Stainless Steel 316L / 1.4404					
Art. Nr.	Dimensions mm	A mm	B mm	kg	Approval
G50224	22.0	24.1	3.1	0.032	FM/VdS/LPCB
G50284	28.0	26.1	3.05	0.043	FM/VdS/LPCB
G50354	35.0	29.1	3.05	0.065	FM/VdS/LPCB
G50424	42.0	36.6	6.55	0.093	FM/VdS/LPCB
G50544	54.0	41.6	6.55	0.152	FM/VdS/LPCB
G50764	76.1	95.0	40.0	0.427	FM/VdS
G50894	88.9	107.0	44.0	0.559	FM/VdS
G501084	108	127.0	50.0	0.821	FM/VdS

For further information see G-Press catalogue reference 'TYCENPRESS'.

General notes: It is the Designer's responsibility to select products suitable for the intended service and to ensure that pressure ratings and performance data is not exceeded. Always read and understand the installation instructions. Never remove any piping components nor correct or modify any piping deficiencies without first depressurizing and draining the system. Material and gasket selection should be verified with the gasket recommendation listing for the specific application.

Press Tools

R Инструменты для запрессовывания

T Pres Aletleri



ECO 301



PRESS JAWS & COLLARS



DEBUR TOOL

Art. Nr.	Description	Approvals
ECO301	ECO301 Press tool for dimensions 22-54 mm	FM / VdS
ECO201	ECO201 Press tool for dimensions 22-35 mm	FM / VdS
ACO201	ACO201 Press tool for dimensions 22-35 mm	FM / VdS
UAP100	UAP100 Press tool for dimensions 76-108mm	FM / VdS
P22-301	ECO301 Press jaw for 22 mm	FM / VdS
P28-301	ECO301 Press jaw for 28 mm	FM / VdS
P35-301	ECO/ACO201 ECO301 Press collar for 35 mm	FM / VdS
P42-301	ECO301 Press collar for 42 mm	FM / VdS
P54-301	ECO301 Press collar for 54 mm	FM / VdS
P76UAP100	UAP Press collar for 76mm	FM / VdS
P89UAP100	UAP Press collar for 89mm	FM / VdS
P108UAP100	UAP Press collar for 108mm	FM / VdS
P22-201	ECO/ACO201 Adapter for Press Collar	FM / VdS
P28-201	ECO301 Adapter for Press Collar	FM / VdS
ZB201	ECO/ACO201 ZB201 Adapter	FM / VdS
ZB302	ECO301 ZB302 Adapter	FM / VdS
MARKER1554	Pipe marker for sizes 15-54 mm	
DEBUR1554	Hand debur tool for sizes 15-54 mm	

For further information see G-Press catalogue reference 'TYCENPRESS'.

General notes: It is the Designer's responsibility to select products suitable for the intended service and to ensure that pressure ratings and performance data is not exceeded. Always read and understand the installation instructions. Never remove any piping components nor correct or modify any piping deficiencies without first depressurizing and draining the system. Material and gasket selection should be verified with the gasket recommendation listing for the specific application.

Flexible Hose, Welding Outlets and Threaded Fittings

● Гибкая подводка, привариваемые фланцы, резьбовые фитинги

● Esnek Hortum, Kaynak Manşonları ve Dişli Fitingler (Eklemeler)

Flexible Hose

Гибкая подводка
Esnek Hortum



P. 7.002

Drop Nipples

Переходники
Barometrik Borular



P. 7.005

Branch Outlets [Threaded/Grooved]

Отводы [резьбовые/гравлочные]
Branşman Çıkışları ı [Dişli/Yivli]



P. 7.008

Pipe Thread Sealant

Герметик для резьбовых соединений
Dişli Borular için Sızdırmaz Dolgu Maddesi



P. 7.013

Welding Neck Flanges

Привариваемые фланцы
Kaynak Boyunlu Flanşlar



P. 7.014

Flange Bolting Kits

Комплекты для болтового соединения фланцев
Flanş Cıvata Setleri



P. 7.015

Flexible Hose

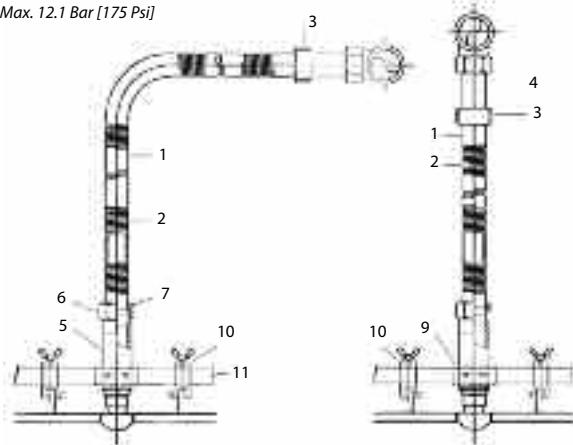
- R** Гибкая подводка
- T** Esnek Hortum



TFP 720

Model Fastflex - 1" BSP Female											
Art. Nr.	Type	Hose Length	Internal Ø	Equivalent Loss Straight	Equivalent Loss 90° Bend	O	UL	FM	VDS	LPCB	APSD
		Длина трубы Hortum Uzunluğu	Внутренний диаметр İç Kısım Ø	Эквивалентная длина прямого участка Eşdeğer Kayıp (Düz)	Эквивалентная длина при изгибе 90° Eşdeğer Kayıp 90° (Bükülmüş)						
YN250700	Un-braided/Без оплетки/Örgüsüz	700	25	7.60	7.60	0.7	✓			✓	✓
YN251000	Un-braided/Без оплетки/Örgüsüz	1000	25	10.35	17.08	0.9	✓			✓	✓
YN251200	Un-braided/Без оплетки/Örgüsüz	1200	25	12.19	23.40	1.0	✓			✓	✓
YN251500	Un-braided/Без оплетки/Örgüsüz	1500	25	15.24	29.25	1.2	✓			✓	✓
YB280700	Braided/С оплеткой/Örgülü	700	28	3.00	5.18	0.7	✓		✓	✓	✓
YB281000	Braided/С оплеткой/Örgülü	1000	28	4.67	6.64	0.9	✓		✓	✓	✓
YB281200	Braided/С оплеткой/Örgülü	1200	28	5.79	7.62	1.0	✓		✓	✓	✓
YB281500	Braided/С оплеткой/Örgülü	1500	28	7.24	9.53	1.2	✓		✓	✓	✓
YB280700-F	Braided/С оплеткой/Örgülü	700	28	3.00	5.18	1.9		✓			
YB281000-F	Braided/С оплеткой/Örgülü	1000	28	4.67	6.64	1.5		✓			
YB281200-F	Braided/С оплеткой/Örgülü	1200	28	5.79	7.62	1.6		✓			
YB281500-F	Braided/С оплеткой/Örgülü	1500	28	7.24	9.53	1.9		✓			

Max. 12.1 Bar [175 Psi]



Parts List/Список деталей/Parça Listesi			
Nr.	Description Описание Tanım	Material Материал Malzeme	Qty К-во Adet
1	Flexible Tube/Гофрированная труба/Esnek Hortum	SS AISI 304	1
2	Weaver/Оплетка/Örme	SS AISI 304	1
3	Braid Ring/Муфта/Örme Halkası	Mild Steel/Углеродистая сталь/Yumuşak Çelik	2
4	Nipple/Переходник/Meme başı	Mild Steel/Углеродистая сталь/Yumuşak Çelik	1
5*	Sprinkler Reducer/Переходник для спринклера/Sprinkler Redüksiyonu	Mild Steel/Углеродистая сталь/Yumuşak Çelik	1
6	Slip Nut/Накидная гайка/Kayın Somun	Brass/Латуны/Pirinç	1
7	O-Ring/Плотнительное кольцо/O-ring	NBR/CR	2
8	Washer/Шайба/Rondela	Nylon W6	2
9	Bracket/Кронштейн/Mesnetler	Pressed Steel/Прессованная сталь/Sıkıştırılmış Çelik	1
10*	Clamps/Зажимы/Kelepçeler	Pressed Steel/Прессованная сталь/Sıkıştırılmış Çelik	2
11	Support Bar/Рейка для крепления/Destekleme Aleti	Pressed Steel/Прессованная сталь/Sıkıştırılmış Çelik	1

*Note part 5: Sprinkler Reducer is straight, 1/2" NPT thread. Elbows 45° or 90° and 3/4" NPT Connections available on request.

*Note part 10: Standard Clamp to be used for Recessed Sprinklers. Special Clamp for Concealed Sprinklers available on request.

*Примечание относительно детали 5: Переходник для спринклера является прямым с резьбой 1/2 дюйма NPT. Переходники - отводы 45° или 90°, а также соединения с резьбой 3/4 дюйма NPT доступны под заказ.

*Примечание относительно детали 10: Стандартный зажим, используемый для утопленных спринклеров. Специальный зажим для скрытых спринклеров доступен под заказ.

*Not 5. bölüm: Sprinkler redüksiyonu düzdür, 1/2" NPT dişlisi. Dirsekler 45° veya 90°dir. 3/4" bağlantıları istek üzere sunulmaktadır.

*Not 10. bölüm: Gömme Sprinklerler ile kullanılacak Standart Kelepçeler. Gizli sprinklerler ile kullanılabilen özel kelepçeler istek üzerine temin edilebilmektedir.

Fastflex Flexible Hose Accessories

- R** Принадлежности для гибкой подводки Fastflex
- T** Fastflex Esnek Hortum Aksesuarları



FASTFLEX SPRINKLER REDUCERS



TFP 720

Sprinkler Reducers/Переходники для спринклеров/Sprinkler Redüksiyonu

Art. Nr.	Description Описание Tanım	Inlet Hose Ø [mm] Диаметр подводимой трубы [mm] Giriş Hortumu Ø [mm]	Outlet Выход Çıkış
RBAR45	45°-Elbow Reducer Mild Steel/Переходник – отвод 45° из углеродистой стали/45°- Dirsek, Redüksiyon, Yumuşak Çelik	25	1/2" NPT Female
RB28AR45	45°-Elbow Reducer Mild Steel/Переходник – отвод 45° из углеродистой стали/45°- Dirsek, Redüksiyon, Yumuşak Çelik	28	1/2" NPT Female
RBAR90	90°-Elbow Reducer Mild Steel/Переходник – отвод 90° из углеродистой стали/90°- Dirsek, Redüksiyon, Yumuşak Çelik	25	1/2" NPT Female
RBAR90S	90°-Elbow Reducer Short Special Brass/Укороченный переходник – отвод 90° из специального типа латуни/90°- Dirsel, Redüksiyon, Kısa Özel Pirinç	25	1/2" NPT Female
RB28AR90	90°-Elbow Reducer Mild Steel/Переходник – отвод 90° из углеродистой стали/90°- Dirsek, Redüksiyon, Yumuşak Çelik	28	1/2" NPT Female
RBR120	Straight Reducer Mild Steel/Прямой переходник из углеродистой стали/Düz Redüksiyon Yumuşak Çelik	25	1/2" NPT Female
RBR28120	Straight Reducer Mild Steel/Прямой переходник из углеродистой стали/Düz Redüksiyon Yumuşak Çelik	28	1/2" NPT Female

Sprinkler Reducers/Переходники для спринклеров/Sprinkler Redüksiyonu

Art. Nr.	Description Описание Tanım	Inlet Hose Ø [mm] Диаметр подводимой трубы [mm] Giriş Hortumu Ø [mm]	Outlet Выход Çıkış
SBAR45	45°-Elbow Reducer Mild Steel/Переходник – отвод 45° из углеродистой стали/45°- Dirsek, Redüksiyon, Yumuşak Çelik	25	3/4" NPT Female
SB28AR45	45°-Elbow Reducer Mild Steel/Переходник – отвод 45° из углеродистой стали/45°- Dirsek, Redüksiyon, Yumuşak Çelik	28	3/4" NPT Female
SBAR90	90°-Elbow Reducer Mild Steel/Переходник – отвод 90° из углеродистой стали/90°- Dirsek, Redüksiyon, Yumuşak Çelik	25	3/4" NPT Female
SBAR90S	90°-Elbow Reducer Short Special Brass/Укороченный переходник – отвод 90° из специального типа латуни/90°- Dirsel, Redüksiyon, Kısa Özel Pirinç	25	3/4" NPT Female
SB28AR90	90°-Elbow Reducer Mild Steel/Переходник – отвод 90° из углеродистой стали/90°- Dirsek, Redüksiyon, Yumuşak Çelik	28	3/4" NPT Female
SBR120	Straight Reducer Mild Steel/Прямой переходник из углеродистой стали/Düz Redüksiyon Yumuşak Çelik	25	3/4" NPT Female
SBR28120	Straight Reducer Mild Steel/Прямой переходник из углеродистой стали/Düz Redüksiyon Yumuşak Çelik	28	3/4" NPT Female



BAR FIXINGS CLAMPS

Bar Fixing Clamps/Зажимы для крепления рейки/Destek Sabitleme Kelepçeleri

Art. Nr.	Description Описание Tanım	Length [mm] Длина [mm] Uzunluk [mm]
RBF58T	Bar Fixing Clamp for recessed sprinkler/Зажим для крепления рейки для утопленных спринклеров/Gömme sprinkler için destek sabitleme kelepçesi	50
RBF90T	Bar Fixing Clamp for concealed sprinkler/Зажим для крепления рейки для скрытых спринклеров/Gizli sprinkler için destek sabitleme kelepçesi	90
RBF38T	Bar Fixing Clamp Special for plasterboard ceilings/Специальный зажим для крепления рейки для потолков из гипсокартона/Alçıpan tavanlar için Özel Alçıpan Sabitleme Kelepçesi	38
WING1	Hose Flex Wing Nut for standard reducer/Крыльчатая гайка для стандартного зажима/Standart redüksiyon için Hortum Esnek Kanat Somunu	15
WING2	Hose Flex Wing Nut for small reducer/Крыльчатая гайка шланга Flex для маленького конического переходника/Küçük redüksiyon için Hortum Esnek Kanat Somunu	20
FFBIT	Bit for Butterfly Nut*/Болт для крыльчатой гайки*/ Kelebek Somun için parça *	

*Suitable for electrical screwdriver/Монтируется при помощи электрического шуруповерта//Elektrikli tornavida için uygun

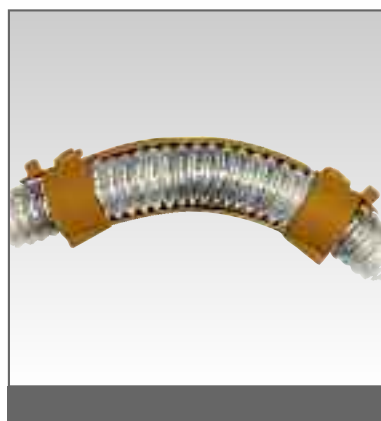
Fastflex Flexible Hose Accessories

- R** Принадлежности для гибкой подводки Fastflex
- T** Fastflex Esnek Hortum Aksesuarları



NIPPLES

Hose Nipples/Переходники для трубы/Hortum Nipelleri			
Art. Nr.	Model Модель Model	Inlet Hose Ø [mm] Диаметр подводимой трубы [мм] Giriş Hortumu Ø [mm]	Outlet Выход Çıkış
HOSENIP25	Hose Nipple / Переходник / Hortum Nipeli	25	1" BSP Male
HOSENIP25R	Reduced Hose Nipple / Укороченный переходник / Küçültülmüş Hortum Nipeli	25	1.1/4" BSP Male
HOSENIP28	Hose Nipple / Переходник / Hortum Nipeli	28	1" BSP Male
HOSENIP28R	Reduced Hose Nipple / Укороченный переходник / Küçültülmüş Hortum Nipeli	28	1.1/4" BSP Male



Minimum Radius Indicator. Only for hoses with a 25mm diameter

Art. Nr.	Description Описание Tanım
MR155	Minimum radius indicator plastic clip with radius 55 mm Пластиковый зажим для индикации минимального радиуса изгиба с радиусом 55 мм 55 mm yarıçapla minimum yarıçap göstergesi plastik klips

Drop Nipples

Ⓡ Переходники для спринклеров

Ⓣ Barometrik Borular

Model Longneck

Модель Longneck
Longneck Modeli



P. 7.006

Model M & F

Модель M & F
Model M ve F



P. 7.007

Drop Nipples

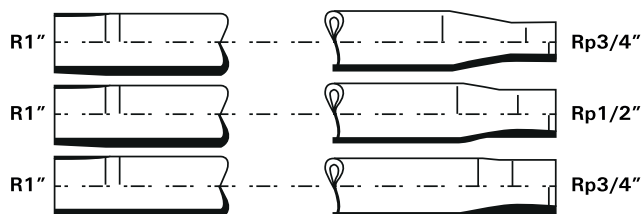
- R** Переходники для спринклеров
- T** Barometrik Borular



LONGNECK

Material: Steel pipe S195T according EN 10255-M
 Материал: Стальная труба S195T в соответствии с EN 10255-M
 Malzeme: EN 10255-M uyarınca çelik boru S195T

Finish: Zinc coated
 Отделка: Оцинкованная
 Kaplama: Çinko kaplama



Reduced Ends Model Longneck/Переходники для спринклеров, модель Longneck/Uçları redüksiyonlu Longneck Modeli

Art. Nr.	O.D. Size/Диаметр/Boyut		L* [mm]	Outlets Female Выходы с внутренней резьбой Çıkışlar (dişi)	Kg	VDS	FM
	DN	[mm]					
1412100010	25 [1"]	34	1000	3/8" ISO	2.4	✓	✓
1412100015	25 [1"]	34	1000	1/2" NPT	2.4	✓	✓
1412100020	25 [1"]	34	1000	3/4" NPT	2.4	✓	✓

***Special lengths are available upon request**

*Другие варианты длины доступны под заказ

*Özel uzunluklar talep halinde mevcuttur

Max. 20.68 Bar [300 Psi]

Drop Nipples

- R** Переходники для спринклеров
- T** Barometrik Borular

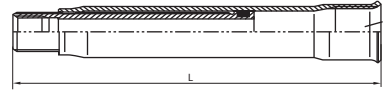
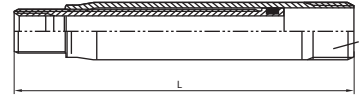


M & F

Material Shaft: **Steel pipe ST37**
 Материал корпуса: Стальная труба ST37
 Gövde Maddesi: ST37 Çelik boru

Material "O" Rings: **EPDM**
 Материал уплотнительных колец: Этилен-пропилен-диен-каучук
 O-ring Malzemesi: EPDM

Finish: **CED coated (black)**
 Отделка: Покрытие CED (черного цвета)
 Kaplama: CED kaplı (siyah)



M & F

Art. Nr.	Inlet Size BSP		Female/ Male	Outlet Size NPT Female		Min. L	Max. L	Adjustment Range	Kg	VDS	FM
	Входной диаметр, BSP/Giriş ölçüleri BSP	mm		Выходной диаметр, NPT внутренняя резьба/Çıkış Ölçüleri NPT Dişi	mm						
DROPMF090050	1"	25	M	1/2"	15	90	140	50	0.35	✓	✓
DROPMF100060	1"	25	M	1/2"	15	100	160	60	0.35	✓	✓
DROPMF140100	1"	25	M	1/2"	15	140	240	100	0.50	✓	✓
DROPMF180100	1"	25	M	3/4"	20	180	280	100	0.70	✓	✓
DROPMF220100	1"	25	M	1/2"	15	220	320	100	0.70	✓	✓
DROPFF130060	1"	25	F	1/2"	15	130	190	60	0.45	✓	✓
DROPFF170100	1"	25	F	1/2"	15	170	270	100	0.60	✓	✓

Max. 25 Bar [362 Psi] for Sprinkler systems/Макс. 25 бар [362 фунтов на кв. дюйм] для спринклерных систем/Sprinkler sistemleri için maks. 25 Bar [362 Psi]
Working Temperature -20°C to 100°C

Branch Outlets [Threaded/Grooved]

● Отводы [резьбовые/гравлочные]

● Branşman Çıkışları [Dişli/Yivli]

Branch Outlets

Отводы

Branşman Çıkışları



P. 7.009

Branch Outlets, Non-Chamfered

Отводы, без фаски

Şamfersiz Branşman Çıkışları



P. 7.010

Welding Branchlets Grooved

Привариваемые отводы, гравлочные

Yivli Branşman Çıkışları



P. 7.011

C-Let Grooved Non-Chamfered

Гравлочные отводы C-Let без фаски

Şamfersiz Yivli C-Let



P. 7.012

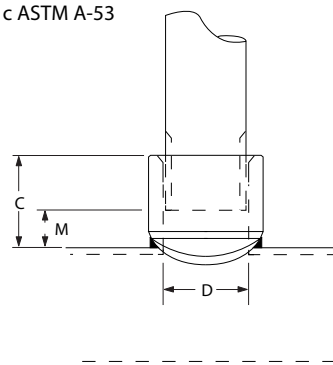
Branch Outlets Threaded

- R** Резьбовые отводы
- T** Dişli Branşman çıkışları



TEE-LET THREADED

Material: Black Steel to ASTM A-53
Материал: Черная сталь в соответствии с ASTM A-53
Malzeme: ASTM A-53' uygun Siyah Çelik



Tee-Let Threaded/Резьбовой отвод Tee-Let/T-Let dişli										
Art. Nr.	Outlet Size Female Выходной диаметр отвода, внутренняя резьба Diş Çıkış Boyutu		Header for Pipe Size Диаметр трубы (исходя из него, выбирается артикул отвода) Borunun Anma Geniřlięi		Outlet Length Длина отвода Çıkış Uzunluęu	Inside Ø Внутренний диаметр İç Ø	Make Up Типоразмер Uç Açıklığı	Kg	UL	FM
	DN		DN		C mm	D mm	M mm			
02042U			32-40	1.1/4"-1.1/2"	27	18	13	0.050	√	√
02047U	15	1/2" NPT	50-65	2"-2.1/2"					√	√
02050U			65-200	2.1/2"-8"					√	√
02070U	20	3/4" NPT	32-40	1.1/4"-1.1/2"	29	23	13	0.075	√	√
02074U			50-65	2"-2.1/2"					√	√
02075U			65-200	2.1/2"-8"					√	√
02090BU	25	1" BSP	32-40	1.1/4"-1.1/2"	32	29	13	0.100	√	√
02097BU			50-65	2"-2.1/2"					√	√
02102BU			80-100	3"-4"					√	√
02105BU			125-200	5"-8"					√	√
02120BU	32	1.1/4" BSP	40-50	1.1/2"-2"	35	38	16	0.125	√	√
02125BU			50-65	2"-2.1/2"					√	√
02130BU			80-100	3"-4"					√	√
02135BU			125-200	5"-8"					√	√
02150BU	40	1.1/2" BSP	50	2"	41	41	22	0.200	√	√
02155BU			65	2.1/2"					√	√
02160BU			80-100	3"-4"					√	√
02165BU			125-200	5"-8"					√	√
02180BU	50	2" BSP	50	2"	44	53	22	0.350	√	√
02185BU			65	2.1/2"					√	√
02190BU			80	3"					√	√
02200BU			100	4"					√	√
02205BU			125	5"					√	√
02210BU			150	6"					√	√
02215BU			200	8"					√	√
02235BU	65	2.1/2" BSP	80	2.1/2"	54	63	29	0.700	√	√
02240BU			100	3"					√	√
02245BU			125	4"					√	√
02260BU			150	6"					√	√
02265BU			200	8"					√	√

Max. 20.68 Bar [300 Psi] for Sprinkler systems/Макс. 20.68 бар [300 фунтов на кв. дюйм] для спринклерных систем/Sprinkler sistemleri için maks. 20.68 Bar [300 Psi]

Branch Outlets, Non-Chamfered

R Отводы, без фаски

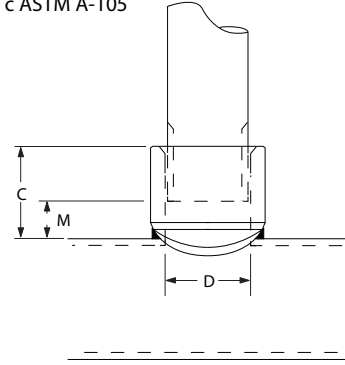
T Şamfersiz Branşman Çıkışları



C-LET THREADED

Material:
Материал:
Malzeme:

Black Steel to ASTM A-105
Черная сталь в соответствии с ASTM A-105
ASTM A-53' uygun Siyah Çelik



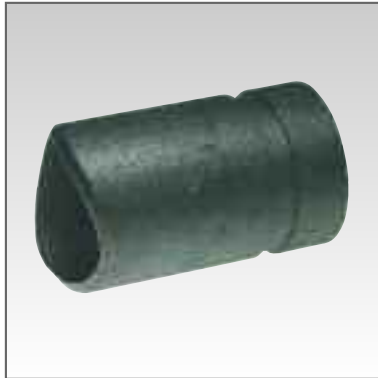
C-Let Threaded/Резьбовой отвод C-let/C-Let Dişli										
Art. Nr.	Outlet Size Female Выходной диаметр отвода, внутренняя резьба Dişi Çıkış Boyutu		Header for Pipe Size Диаметр трубы (исходя из него, выбирается артикул отвода) Borunun Anma Geniřlięi		Outlet Length Длина отвода Çıkış Uzunluęu	Inside Ø Внутренний диаметр İç Ø	Make Up Типоразмер Uç Açıklığı	Kg	UL	FM
	DN		DN		C mm	D mm	M mm			
CL15025N	15	1/2" NPT	25-40	1"-1.1/2"	25	21	14	0.1	√	√
CL15050N			50-65	2"-2.1/2"					√	√
CL15080			80-200	3-8"					√	√
CL20025N	20	3/4" NPT	25-40	1"-1.1/2"	25	25	13	0.1	√	√
CL20050N			50	2"					√	√
CL20065N			65	2.1/2"					√	√
CL20080			80-125	3"-5"					√	√
CL20150			150-200	6"-8"					√	√
CL25032	25	1" BSP	32-40	1.1/4"-1.1/2"	28	33	12	0.13	√	√
CL25050			50	2"					√	√
CL25065			65	2.1/2"					√	√
CL25080			80	3"					√	√
CL25100			100-125	4"-5"					√	√
CL25150			150-200	6"-8"					√	√
CL32050	32	1.1/4" BSP	50	2"	32	41	16	0.19	√	√
CL32065			65	2.1/2"					√	√
CL32080			80	3"					√	√
CL32100			100-125	4"-5"					√	√
CL32150			150-200	6"-8"					√	√
CL40050	40	1.1/2" BSP	50	2"	32	47	16	0.24	√	√
CL40065			65	2.1/2"					√	√
CL40080			80	3"					√	√
CL40100			100	4"					√	√
CL40125			125-150	5"-6"					√	√
CL40200			200	8"					√	√
CL50065	50	2" BSP	65	2.1/2"	38	59	19	0.38	√	√
CL50080			80	3"					√	√
CL50100			100	4"					√	√
CL50150			150-200	6"-8"					√	√
CL65100	65	2.1/2" BSP	100	4"	45	70	21	0.55	√	√
CL65150			150	6"					√	√
CL65200			200	8"					√	√

Max. 20.68 Bar [300 Psi] for Sprinkler systems/Макс. 20.68 бар [300 фунтов на кв. дюйм] для спринклерных систем/Sprinkler sistemleri için maks. 20.68 Bar [300 Psi]

Branch Outlets, Grooved

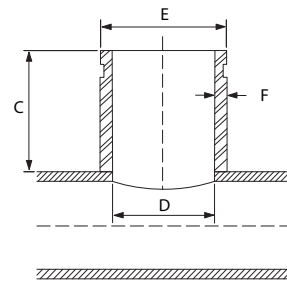
● Р Грувлочные отводы

● T Yivli Branşman Çıkışları



WELDING BRANCHLETS GRV

Material: Black Steel to ASTM A-53
Материал: Черная сталь в соответствии с ASTM A-53
Malzeme: ASTM A-53' uygun Siyah Çelik



Welding Branchlets Grooved/Привариваемые отводы, грувлочные/Yivli Branşman Çıkışları

Art. Nr.	Grooved Outlet Size Выходной диаметр отвода, грувлочный Yivli Çıkış Boyutu		Header for Pipe Size Диаметр трубы (исходя из него, выбирается артикул отвода) Borunun Anma Genişliği		Outlet Length Длина отвода Çıkış Uzunluğu C mm	Inside Ø Внутренний диаметр İç Ø D mm	Outside Ø Наружный диаметр Dış Ø E mm	Wall Thickness Толщина стенки Duvar Kalınlığı F mm	Kg	Ш	FМ
	DN	DN	DN	DN							
13580	32	1.1/4"	50-65	2"-2.1/2"	76	35	42.2	3.6	0.125	√	√
13585			80-100	3"-4"						√	√
13590			125-200	5"-8"						√	√
13600	40	1.1/2"	50	2"	76	41	48.3	3.7	0.200	√	√
13605			65	2.1/2"						√	√
13610			80-100	3"-4"						√	√
13615			125-200	5"-8"						√	√
13625	50	2"	65	2.1/2"	76	53	60.3	3.9	0.350	√	√
13630			80	3"						√	√
13635			100	4"						√	√
13645			150	6"						√	√
13650			200	8"						√	√
13655M	65	2.1/2"	65	2.1/2"	76	67	76.1	5.2	0.700		
13660M			80	3"						√	√
13665M			100	4"						√	√
13675M			150	6"						√	√
13680M			200	8"						√	√
13685	80	3"	80	3"	76	78	88.9	5.5	0.900		
13695			100	4"						√	√
13705			150	6"						√	√
13710			200	8"						√	√
13715	100	4"	100	4"	102	102	114.3	6.0	1.000		
13725			150	6"						√	√
13730			200	8"						√	√

Max. 20.68 Bar [300 Psi] for Sprinkler systems/Макс. 20.68 бар [300 фунтов на кв. дюйм] для спринклерных систем/Sprinkler sistemleri için maks. 20.68 Bar [300 Psi]

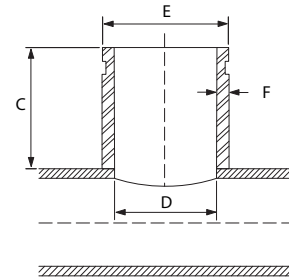
Branch Outlets, Grooved, Non Chamfered

- R** Грувлочные отводы без фаски
- T** Şamfersiz Branşman Çıkışları , Yivli



C-LET GROOVED

Material: **Black Steel to ASTM A-53**
Материал: Черная сталь в соответствии с ASTM A-53
Malzeme: ASTM A-53' uygun Siyah Çelik



C-Let Grooved Non-Chamfered/Грувлочные отводы C-Let без фаски/Şamfersiz Yivli C-Let

Art. Nr.	Grooved Outlet Size		Header for Pipe Size		Outlet Length C mm	Inside Ø D mm	Outside Ø E mm	Wall Thickness F mm	Kg	UL	FM
	Выходной диаметр отвода, грувлочный Yivli Çıkış Boyutu	DN	Диаметр трубы (исходя из него, выбирается артикул отвода) Borunun Anma Genişliği	DN							
GR25050NC	25	1"	50-65	2"-2.1/2"	81	30	33.4	3.38	0.125	✓	✓
GR25065NC			65-100	2.1/2"-4"	80					✓	✓
GR32050NC	32	1.1/4"	50-65	2"-2.1/2"	84	39	42.2	3.56	0.200	✓	✓
GR32080NC			80-100	3"-4"	81					✓	✓
GR32125NC			125-200	5"-8"	79					✓	✓
GR40050NC	40	1.1/2"	50	2"	88	45	48.3	3.68	0.350	✓	✓
GR40065NC			65	2.1/2"	85					✓	✓
GR40080NC			80-100	3"-4V	82					✓	✓
GR40125NC			125-200	5"-8"	80					✓	✓
GR50065NC	50	2"	65	2.1/2"	92	57	60.3	3.91	0.700	✓	✓
GR50080NC			80	3"	88					✓	✓
GR50100NC			100	4"	85					✓	✓
GR50150NC			150	6"	82					✓	✓
GR50200NC			200	8"	80					✓	✓
GR65065NC	65	2.1/2"	65	2.1/2"	114	69	76.2	5.16	0.900		
GR65080NC			80	3"	98					✓	✓
GR65100NC			100	4"	91					✓	✓
GR65150NC			150	6"	85					✓	✓
GR65200NC			200	8"	83					✓	✓
GR80080NC	80	3"	80	3"	119	72	88.9	5.49	0.100		
GR80100NC			100	4"	98					✓	✓
GR80150NC			150	6"	89					✓	✓
GR80200NC			200	8"	86					✓	✓
GR100100NC	100	4"	100	4"	159	85	114.3	6.02	0.125		
GR100150NC			150	6"	124					✓	✓
GR100200NC			200	8"	118					✓	✓

Max. 20.68 Bar [300 Psi] for Sprinkler systems/Макс. 20.68 бар [300 фунтов на кв. дюйм] для спринклерных систем/Sprinkler sistemleri için maks. 20.68 Bar [300 Psi]

Pipe Thread Sealant

- R Герметик для резьбовых соединений
- T Dişli Borular için Sızdırmaz Dolgu Maddesi



Model Permabond A1058			
Art. Nr.	Description Описание Tanım	Kg	WRC
A105825000	Tube/Туба/Hortum 250 ml	0.30	√
A105825025	Box/Коробка/Kutu 25x250 ml	7.50	√

DESCRIPTION:

Permabond A1058 is a highly viscous anaerobic sealant designed for use on threaded metal pipe connections.

The delayed cure allows components to be accurately aligned. Permabond A1058 provides an instant seal and can be applied more easily and faster than PTFE tape or hemp, saving on installation time.

Use Instructions:

Wipe male and female threads with a clean, dry rag to remove any grease and dirt.

Apply A1058 to the full circumference of the male thread to 1 and a half thread forms, ensuring that there is sufficient adhesive to fill the gaps & that it is positioned correctly.

For threaded parts of 4" diameter and above, apply a second bead half inch from the first bead or apply A1058 to both components.

Assemble the joints with tools in the normal way and wipe off any excess from the finished joint.

ОПИСАНИЕ:

Permabond A1058 – это анаэробный герметик высокой вязкости, предназначенный для резьбовых соединений металлических труб.

Длительное застывание герметика позволяет точно совместить детали. Permabond A1058 обеспечивает мгновенную герметизацию, наносится быстрее и проще, чем ПТФЭ-лента или пакля, что позволяет сэкономить время монтажа.

Указания по применению:

Протрите наружную и внутреннюю резьбу чистой сухой ветошью для удаления смазки и грязи.

Нанесите A1058 по всей окружности наружной резьбы на 1,5 витка, убедившись, что количество герметика достаточно для заполнения зазоров и что он нанесен правильно.

Для резьбовых соединений диаметром 4 дюйма и больше нанесите второй виток герметика на расстоянии половины дюйма от первого или нанесите A1058 на обе соединяемые детали.

Выполните соединение при помощи инструментов обычным образом и вытрите излишки герметика с готового соединения.

TANIM:

Permabond A1058 yüksek derecede yapışkan, anaerobik ve yivli madeni boru bağlantılarında kullanılan sızdırmaz bir dolgu maddesidir.

Gecikmeli sertleşme süresi boru parçalarının doğru hizalanmasını mümkün kılmaktadır. A1058 anında sızdırmaz hale gelir. PTFE bandı veya kenevirden daha kolay ve daha hızlı kullanılabildiği için montaj süresini kısaltır.

Uygulama talimatları:

Erkek ve dişi dişleri temiz ve kuru bir bez parçasıyla siliniz ve herhangi bir yağ veya kir kalıntısını temizleyiniz.

A1058'i erkek dişleri tüm çapına ve bir buçuk daire derinliğine kadar sürünüz. Bu şekilde aralıkları kapatacak ve parçalarının doğru yerleşmesini sağlayacak yeterli miktarda yapışkan maddesi uygulanmış olur.

4" çapını geçen dişli parçalar için ilk yapışkan uygulamasına yarım inç ilerisinde bir miktar A1058 ile başlayınız.. Bunun dışında her iki parçaya da A1058 uygulayabilirsiniz.

Birleşen parçaları normal bir monte ediniz ve ekleme yerlerinden çıkan herhangi bir yapışkan artığını siliniz.

Welding Neck Flanges

R Привариваемые фланцы

T Kaynak Boyunlu Flanşlar



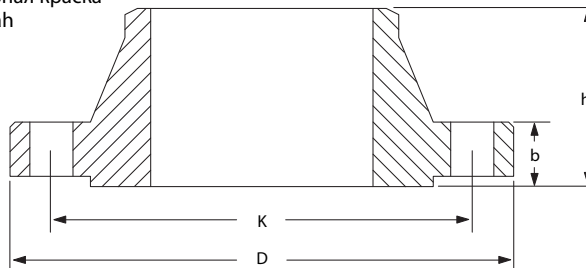
WELDING NECK FLANGE

Material:
Материал:
Malzeme:

Carbon Steel SA150N [ANSI], DIN C22.8 [PN10-PN16]
Углеродистая сталь SA150N [ANSI], DIN C22.8 [PN10-PN16]
Karbon çelik SA150N [ANSI], DIN C22.8 [PN10-PN16]

Finish:
Отделка:
Kaplama:

Black
Черная краска
Siyah



Art. Nr.	DN	Flange Фланец Flanş	Ø D mm	b mm	Ø K mm	Ø H mm	Nr. of Bolts Кол-во отверстий для болтов Civata Sayısı	Bolt Thread Резьба болта Civata Dişi	Kg	
N430000765	65	2.1/2"	ANSI 125/150	177.80	22.35	139.70	19.05	4	UNC.5/8	4.10
N430000768	65	2.1/2"	PN10/16	185.00	18.00	145.00	18.00	4	M16	4.10
N430000895	80	3"	ANSI 125/150	190.5	23.88	152.40	19.05	4	UNC.5/8	4.90
N430000898	80	3"	PN10/16	200.00	20.00	160.00	18.00	8	M16	4.90
N430001145	100	4"	ANSI 125/150	228.60	23.88	190.50	19.05	8	UNC.5/8	6.80
N430001148	100	4"	PN10/16	220.00	20.00	180.00	18.00	8	M16	6.80
N430001415	125	5"	ANSI 125/150	254.00	23.88	215.90	22.35	8	UNC.3/4	8.60
N430001418	125	5"	PN10/16	250.00	22.00	210.00	18.00	8	M16	8.60
N430001685	150	6"	ANSI 125/150	279.40	25.40	241.30	22.35	8	UNC.3/4	10.6
N430001688	150	6"	PN10/16	285.00	22.00	240.00	22.00	8	M16	10.6
N430002195	200	8"	ANSI 125/150	342.90	28.45	298.45	22.35	8	UNC.3/4	17.6
N430002197	200	8"	PN10	340.00	24.00	295.00	22.00	8	M16	17.6
N430002198	200	8"	PN16	340.00	24.00	295.00	22.00	12	M16	17.6
N430002735	250	10"	ANSI 125/150	406.40	30.23	361.95	25.40	12	UNC.7/8	24.0
N430002737	250	10"	PN10	395.00	26.00	350.00	22.00	12	M20	24.0
N430002738	250	10"	PN16	405.00	26.00	355.00	26.00	12	M24	24.0
N430003245	300	12"	ANSI 125/150	482.60	31.75	431.80	25.40	12	UNC.7/8	36.5
N430003247	300	12"	PN10	445.00	26.00	400.00	22.00	12	M20	36.5
N430003248	300	12"	PN16	460.00	28.00	410.00	26.00	12	M24	36.5

Flange Bolting Kits

R Комплекты для болтового соединения фланцев

T Flanş Cıvata Setleri



FLANGE BOLTING KIT

Material Bolt:

Материал болта:
Cıvata Maddesi:

DIN931, Steel Quality 8.8, Zinc Plated

DIN931, сталь качества 8.8, оцинкованная
DIN931, Çelik Kalitesi 8.8, Çinko Kaplamalı

Material Nut:

Материал гайки:
Somun Malzemesi:

DIN934, Steel Quality, Zinc Plated

DIN934, сталь качества 8.8, оцинкованная
DIN934, Çelik Kalitesi, Çinko Kaplamalı

Material Washer:

Материал шайбы:
Rondela Malzemesi:

DIN125-1A, Steel, Zinc Plated

DIN125-1A, сталь, оцинкованная
DIN125-1A, Çelik, Çinko Kaplamalı

Hard Gasket [Fiber]/Твердая прокладка [волокно]/Sert Conta [Lif]

DN	Art. Nr. PN10	Art. Nr. PN16	Art. Nr. ANSI	Bolt Size Резьба болта/Cıvata Boyutu			Operating pressure / Рабочее давление / Çalışma basıncı	
				PN10	PN16	ANSI		
50	2"	FLB0608	FLB0608	FLB0605	M16	M16	M16	16Bar (230Psi)
65	2.1/2"	FLB0768	FLB0768	FLB0765	M16	M16	M16	16Bar (230Psi)
80	3"	FLB0898	FLB0898	FLB0895	M16	M16	M16	16Bar (230Psi)
100	4"	FLB1148	FLB1148	FLB1145	M16	M16	M16	16Bar (230Psi)
125	5"	FLB1398	FLB1398	FLB1395	M16	M16	M20	16Bar (230Psi)
150	6"	FLB1688	FLB1688	FLB1685	M20	M20	M20	16Bar (230Psi)
200	8"	FLB2197	FLB2198	FLB2195	M20	M20	M20	16Bar (230Psi)
250	10"	FLB2737	FLB2738	FLB2735	M20	M24	M24	16Bar (230Psi)
300	12"	FLB3247	FLB3248	FLB3245	M20	M24	M24	16Bar (230Psi)
350	14"	FLB3557	FLB3558	FLB3555	M20	M24	M27	16Bar (230Psi)

Semi Lug Valve [JMC/JMA/JMH]/Для дисковых затворов [JMC/JMA/JMH]/Ara Flanş [JMC/JMA/JMH]

DN	Art. Nr. PN10	Art. Nr. PN16	Art. Nr. ANSI	PN10 Threaded Stud Резьба/Dişli Saplama			Length Длина Uzunluk	
				PN16	ANSI 125/150			
50	2"	FLS0607	FLS0607	FLS0607	M16	M16	M16	120
65	2.1/2"	FLS0767	FLS0767	FLS0767	M16	M16	M16	130
80	3"	FLS0897	FLS0897	FLS0897	M16	M16	M16	130
100	4"	FLS1147	FLS1147	FLS1147	M16	M16	M16	140
125	5"	FLS1397	FLS1397	FLS1395	M16	M16	M20	150
150	6"	FLS1687	FLS1687	FLS1687	M20	M20	M20	150
200	8"	FLS2198	FLS2198	FLS2198	M20	M20	M20	160
250	10"	FLS2737	FLS2738	FLS2738	M20	M24	M24	180
300	12"	FLS3247	FLS3248	FLS3248	M20	M24	M24	190

Hose Reels, Hose Reel Tubing & Accessories

● R Пожарные рукава, рукавные катушки, арматура и принадлежности

● T Hortum Makaraları, Hortum Makarası Boru Sistemi ve Aksesuarları

Hose and Hose Reels

Пожарные рукава и катушки
Hortum ve Hortum Makaraları



P. 8.002

Fire Brigade & Portable Equipment

Оборудование для пожарных бригад и переносное оборудование
İtfaiye Ekibi ve Taşınabilir Ekipmanlar



P. 8.09

Accessories & Hose Fittings

Принадлежности и арматура для рукавов
Aksesuarlar ve Hortum Fitingleri



P. 8.014

Riser Systems

Оборудование для стояков
Riser Sistemleri



P. 8.017

Hose and Hose Reels

® Пожарные рукава и катушки

™ Hortum ve Hortum Makaraları

Hose Reels, Swinging Reel

Рукавная катушка, поворотная
Hortum Makaraları, Hareketli Makara



P. 8.003

Hose Reels, Fixed Reel

Рукавная катушка, стационарная
Hortum Makaraları, Sabit Makara



P. 8.004

Swinging Reel in Cabinet

Шкаф пожарный с поворотной катушкой
Dolap İçinde Hareketli Makaralar



P. 8.005

Tyco Hose Rack Assemblies

Пожарные шкафы Тусо
Tyco Hortum Rafı Montaj Grubu



P. 8.006

Viking Hose

Рукав Viking
Viking Hortum



P. 8.007

Saxon Hose

Рукав Saxon
Sakson Hortum



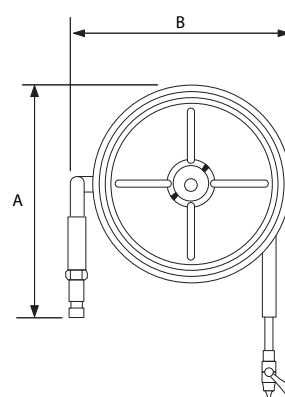
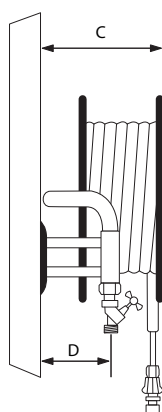
P. 8.008

Hose Reels, Swinging Reel

- R Рукавная катушка, поворотная
- T Hortum Makaraları, Hareketli Makara



SWINGING REEL



Swinging Type/Поворотная катушка/Hareketli Tip

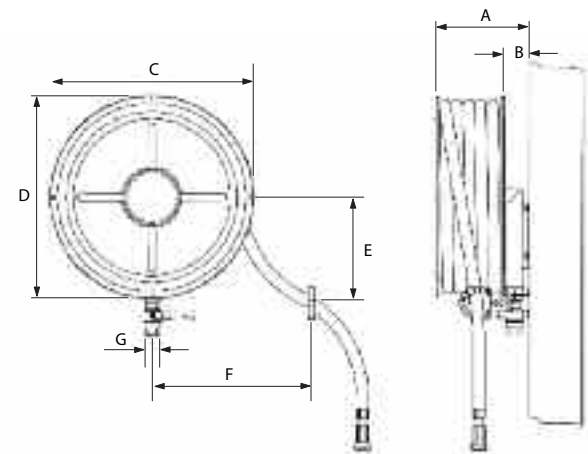
Art. Nr.	DN	Length Длина рукава Uzunluk	A mm	B mm	C mm	D BSP"	⊙ Kg	EN 671-1
NFGTP25/20	25	20 m	685	700	310	1" F	22	✓
NFGTP25/30	25	30 m	685	700	310	1" F	27	✓
NFGTP33/20	33	20 m	710	700	445	1.1/2" F	30	✓
NFGTP33/30	33	30 m	710	700	445	1.1/2" F	38	✓

Hose Reels, Fixed Reel

- Рукавная катушка, стационарная
- Hortum Makaraları, Sabit Makara



FIXED REEL

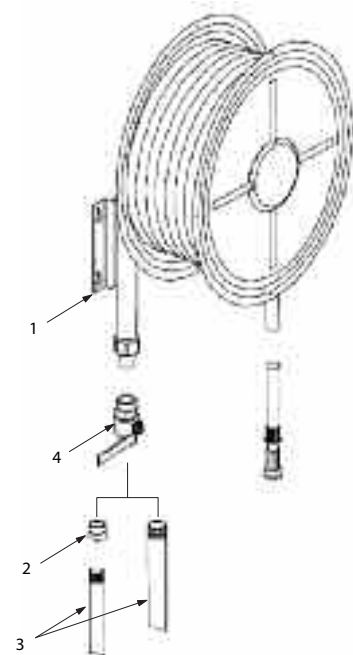


Fixed Reel/Стационарная катушка/Sabit Makara

Art. Nr.	DN	Length Длина рукава Uzunluk	A mm	B mm	C mm	D mm	E mm	F mm	G BSP"	⊙ Kg	EN 671-1
09000340	19	20 m	220	75	570	770	300	450	3/4" F	15	✓
09000300	19	30 m	220	75	570	770	300	450	3/4" F	18	✓
09000350	25	20 m	270	75	570	770	300	450	1 F	20	✓
09000310	25	30 m	270	75	570	770	300	450	1 F	25	✓
09000430	33	20 m	415	100	570	740	300	450	1.1/2" F	28	✓
09000420	33	30 m	415	100	570	740	300	450	1.1/2" F	36	✓

Parts List/Комплектация/Parça Listesi

Nr.	Description Описание Tanım
1	Hose reel with wall bracket/Рукавная катушка с настенным кронштейном/Duvar destekli hortum makarası
2	Reduction [DN19 only]/Переходник [только DN19]/Azaltma [yalnızca DN19]
3	Supply piping/Питающий трубопровод/Besleme borusu
4	Main shut-off valve/Главный запорный клапан/Ana kapama vanası

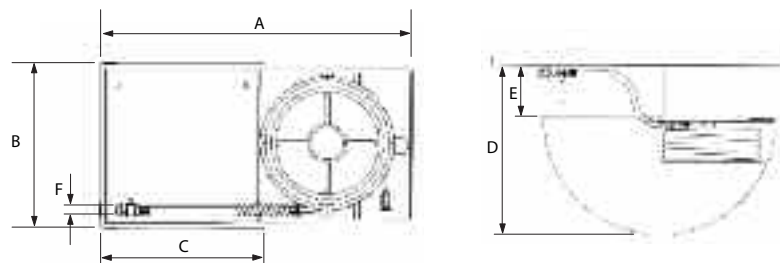


Swinging Reel in Cabinet

- Шкаф пожарный с поворотной катушкой
- Dolap İçinde Hareketli Makaralar



SWINGING REEL IN CABINET

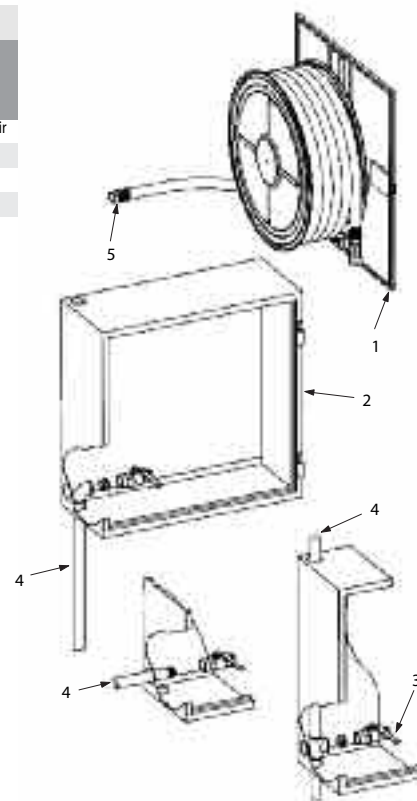


Swinging Reel/Поворотная катушка/Hareketli Makara

Art. Nr.	DN	Length Длина рукава Uzunluk	A mm	B mm	C mm	D mm	E mm	F BSP"	⊘ Kg	EN 671-1
09000360	19	20 m	1330	710	700	285	945	3/4" F	42	✓
09000320	19	30 m	1330	710	700	285	945	3/4" F	45	✓
09000370	25	20 m	1330	710	700	285	945	1" F	48	✓
09000330	25	30 m	1330	710	700	285	945	1" F	53	✓

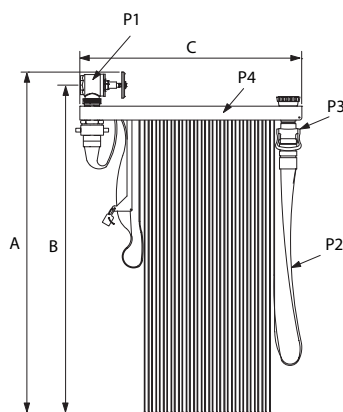
Parts List/Комплектация/Parça Listesi

Nr.	Description Описание Tanım
1	Hose reel mounted on door/Рукавная катушка, установленная на дверце/Hortum makarasi kapiya monte edilmiştir
2	Cabinet/Шкаф/Dolap
3	Main shut-off valve/Главный запорный клапан/Ana kesme vanası
4	System piping/Питающий трубопровод/Sistem boruları
5	Supply connection/Подключение катушки/Besleme bağlantısı



Hose Rack Assemblies

- R** Пожарные шкафы
- T** Hortum Rafı Tertibatları



Art. Nr.	Hose Length Длина рукава Hortum Uzunluğu	Valve Size Размер клапана Vana Boyutu	Ø Hose Диаметр рукава Ø Hortumu	A mm	B mm	C mm	D mm	⊘ Kg	FM	FM
2505	15.2 m	1.1/2"	1.1/2"	597	558	457	102	7	✓	✓
2507	22.8 m	1.1/2"	1.1/2"	660	622	457	102	9	✓	✓
2510	30.4 m	1.1/2"	1.1/2"	787	749	457	102	12	✓	✓

Parts List/Комплектация/Parça Listesi

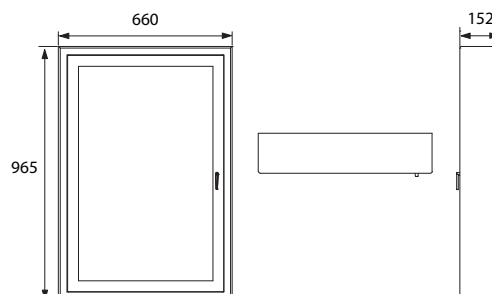
Nr.	Description Описание Tanım
P1	Angle Valve Brass 20.7 Bar/Бронзовый угловой клапан 20,7 бар/Köşe Vana, Piringç, 20,7 Bar
P2	Polyflex Hose 34.5 Bar /Рукав Polyflex 34,5 бара/Polifleks Hortum 34,5 Bar
P3	Fog Nozzle Satin Brass/Ствол пожарный из матовой латуни/Sis Nozulu, Saten Piringç
P4	Hose Rack Red Polyester Coated Steel/Красный пожарный шкаф из стали с полиэфирным покрытием/Hortum Rafı Kırmızı Polyester Kaplı Çelik

Optional finishes available on request/
Дополнительные виды отделки доступны под заказ/
Isteğe bağlı bitirmeler talep üzerine mevcuttur



Body:
Корпус:
Gövde:

Red Polyester Steel with Full Glass Door
Красный пожарный шкаф из стали с полиэфирным покрытием и стеклянной дверцей
Tam Cam Kapak ile Kırmızı Polyester Çelik



Art. Nr.	Wall Mounting Тип крепления Duvar Montajı	Max. Capacity Hose Макс. длина рукава Maks. Kapasiteli Hortum	⊘ Kg
1054-A-MOD	Surface/Навесной/Üzeye	30.4	27

***Other model available on request [recessed/trimless]**
*Другие модели доступны под заказ [встраиваемые/устанавливаемые заподлицо]
*Farklı model talep üzerine temin edilir. [gömme / çerçevesiz]

Viking Hose

R Pykab Viking

T Viking Hortum



VIKING HOSE

Art. Nr.	Internal diameter Внутренний диаметр İç çap	Length Длина Uzunluk	Weight* Вес* Ağırlık*	Max advised working pressure Макс. рекомендуемое рабочее давление Tavsiye edilen maks. çalışma basıncı	Average burst pressure Среднее давление на разрыв Ortalama püskürme basıncı	Bend radius Радиус изгиба Kıvrılma yarıçapı
10291	38 mm	23m	280 gr/m	22,5 bar	55 bar	65 cm
10293	38 mm	30m	280 gr/m	22,5 bar	55 bar	65 cm
10296	45 mm	18,3m	340 gr/m	22,5 bar	55 bar	80 cm
10300	45 mm	30m	340 gr/m	22,5 bar	55 bar	80 cm
10303	52 mm	20m	400 gr/m	22,5 bar	55 bar	95 cm
10306	52 mm	30m	400 gr/m	22,5 bar	55 bar	95 cm
10309	64 mm	18,3m	520 gr/m	22,5 bar	50 bar	110 cm
10310	64 mm	20m	520 gr/m	22,5 bar	50 bar	110 cm
10311	64 mm	23m	520 gr/m	22,5 bar	50 bar	110 cm
10312	64 mm	25m	520 gr/m	22,5 bar	50 bar	110 cm
10313	64 mm	30m	520 gr/m	22,5 bar	50 bar	110 cm

*± 10% excluding couplings

*± 10%, не включая головки

*± %10, kaplinler hariç

All Viking hose products are available with international fire hose couplings in light alloy or gunmetal - POA/

Все рукава Viking комплектуются литыми или бронзовыми (указать при заказе) головками, отвечающими международным стандартам

Tüm Viking hortum ürünleri hafif alaşım veya top metalinden uluslararası yangın hortumu kaplinler ile mevcuttur – POA

TYPE 3: Manufactured in accordance with BS6391 1983 TYPE 3

Saxon Hose

R Pykav Saxon

T Sakson Hortum



Art. Nr.	Internal diameter Внутренний диаметр İç çap	Length Длина Uzunluk	Weight** Вес* Ağırlık*	Max advised working pressure Макс. рекомендуемое рабочее давление Tavsiye edilen maks. çalışma basıncı	Short length burst pressure Давление на разрыв Kısa uzunluk püskürme basıncı
10466	38 mm	20m	180 gr/m	15 bar	45 bar
10470	38 mm	30m	180 gr/m	15 bar	45 bar
10480	45 mm	18,3m	200 gr/m	15 bar	45 bar
10486	45 mm	23m	200 gr/m	15 bar	45 bar
10492	45 mm	30m	200 gr/m	15 bar	45 bar
10501	52 mm	18,3m	220 gr/m	15 bar	45 bar
10502	52 mm	20m	220 gr/m	15 bar	45 bar
10627	52 mm	30m	220 gr/m	15 bar	45 bar
10633	65 mm	18,3m	310 gr/m	15 bar	45 bar
10634	65 mm	20m	310 gr/m	15 bar	45 bar
10635	65 mm	23m	310 gr/m	15 bar	45 bar
10636	65 mm	25m	310 gr/m	15 bar	45 bar
10637	65 mm	30m	310 gr/m	15 bar	45 bar

***Per metre uncoated (± 4%)**

*За метр без покрытия (± 4%)

*Kaplanmamış metre başına (± %4)

**** Per metre coated (± 4%)**

** За метр с покрытием (± 4%)

** Kaplanmış metre başına (± %4)

All Viking hose products are available with international fire hose couplings in light alloy or gunmetal - POA/

Все рукава Viking комплектуются литыми или бронзовыми (указать при заказе) головками, отвечающими международным стандартам

Tüm Viking hortum ürünleri hafif alaşım veya top metalinden uluslararası yangın hortumu kaplinler ile mevcuttur – POA

TYPE 1: White

TYPE 2: Coloured

Fire Brigade & Portable Equipment

- Оборудование пожарных бригад и переносное оборудование
- İtfaiye Ekibi ve Taşınabilir Ekipmanlar

Variable Inline Inductors

Настраиваемый линейный эжектор
Çeşitli Hizalı İndüktörler



P. 8.010

Fomax 7 Hi-Ex Foam Generator

Генератор пены высокой кратности Fomax 7
Fomax 7 Hi-Ex Köpük Üretici



P. 8.011

Mini Fomax Foam Generator

Генератор пены высокой кратности Mini Fomax
Mini Fomax, Köpük Üretici



P. 8.012

Cobra RTV, Rough Terrain Monitor

Лафетный ствол Cobra RTV для пересеченной местности
Cobra RTV, Engebeli Arazi Monitörü



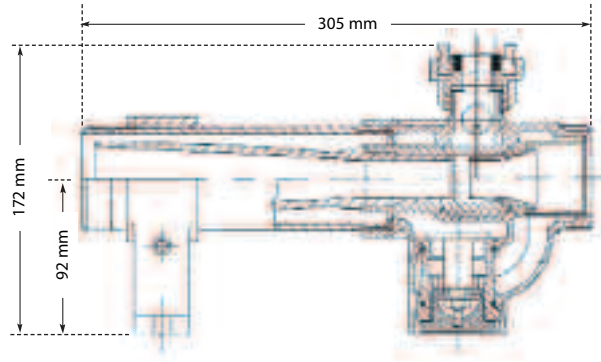
P. 8.013

Variable Inline Inductors

- R** Настраиваемый линейный эжектор
- T** Çeşitli Hizalı İndüktörler



VARIABLE INLINE INDUCTOR



Art. Nr.	Flow rate at 10 bar Расход при 10 барах 10 barda akış hızı	Foam pick-up (%) Дозирование (%) Köpük alma (%)	Working pressure (bar) Рабочее давление (бар) Çalışma basıncı (bar)	Length * Длина * Uzunluk *	Length ** Длина ** Uzunluk **	Width Ширина Genişlik	Kg *
IND50	200 lpm (44 gpm)	1 - 6	7 - 16	300 mm	415 mm	165 mm	3.4 kg
IND100	400 lpm (88 gpm)	1 - 6	7 - 16	300 mm	415 mm	165 mm	3.4 kg

Fomax 7 Hi-Ex Foam Generator

- R** Генератор пены высокой кратности Fomax 7
- T** Fomax 7 Hi-Ex Köpük Üretici



FOMAX 7

Performance/Характеристики/Performans

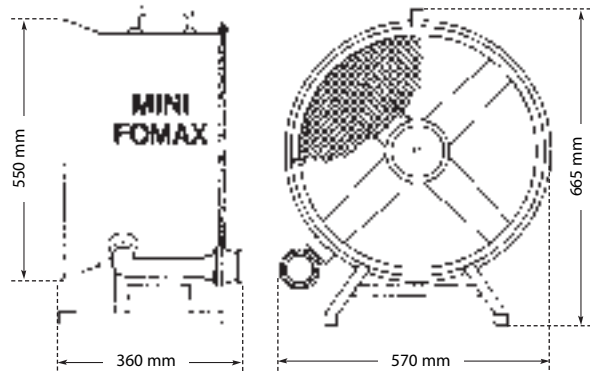
By-pass control Управление байпасом Baypass kontrol	Water pressure (bar) Рабочее давление (бар) Su basinci (bar)	Total water flow (lpm) Суммарный расход воды (л/мин) Toplam su akışı (lpm)	By-pass flow (lpm) Расход байпаса (л/мин) Baypass akışı (lpm)	Flow to nozzles (lpm) Расход на сопла (л/мин) Nozullara akış (lpm)	Foam production (m ³ /min) Производительность по пене (м ³ /мин) Köpük Üretme (m ³ /dak)	Foam expansion Кратность пены Köpük yayılma
Open	4	170	50	120	96	96
	7	225	80	145	159	159
	10	270	100	170	204	204
Closed	4	150	nil	150	82	82
	7	200	nil	200	140	140
	10	240	nil	240	192	192

Skum Fomax 7

Art. Nr.	Description Описание Tanım
22324	Fomax 7 red bsp connection /Fomax 7, красного цвета, подключение bsp/Fomax 7 kırmızı bsp bağlantısı
22615	Fomax 7 red 1/a 2 1/2" instantaneous connection /Fomax 7 красного цвета 2 дюйма, мгновенное подключение/Fomax 7 kırmızı 1/a 2 1/2" anlık bağlantı
22547	Fomax 7 red smoke extraction version, bsp /Fomax 7 с дымоудалением, красного цвета, подключение bsp/Fomax 7 kırmızı duman çıkarma versiyonu, bsp
22548	Fomax 7 red smoke extraction instantaneous /Fomax 7 с дымоудалением, красного цвета, мгновенное подключение/Fomax 7 kırmızı duman çıkarma, anlık

Mini Fomax Foam Generator

- R** Генератор пены высокой кратности Mini Fomax
- T** Mini Fomax, Köpük Üretici



Performance/Характеристики/Performans

Pressure (bar) Давление (бар) Basınç (bar)	Total water flow (lpm) Суммарный расход воды (л/мин) Toplam su akışı (lpm)	Foam production (m3/min) Производительность по пене (м3/мин) Köpük üretme (m3/dak)	Foam expansion Кратность пены Köpük yayılma	 Kg
5	225	90	400:1	20 kg
7	250	117	470:1	20 kg
8.5	270	135	500:1	20 kg

Macron Mini Fomax/Macron Mini Fomax/Macron Mini Fomax

Art. Nr.	Description Описание Tanım
5159	Mini fomax bsp connections /Mini fomax, подключение bsp/Mini fomax bsp bağlantıları
5159 + 10203	Mini fomax instantaneous connections /Mini fomax, мгновенное подключение/Mini fomax anlık bağlantıları
5374	Mini fomax smoke extraction unit bsp /Mini fomax с дымоудалением, подключение bsp/Mini fomax duman çıkarma birimi bsp
5415	Mini fomax smoke extraction unit instantaneous /Mini fomax с дымоудалением, мгновенное подключение/Mini fomax duman çıkarma birimi anlık


Cobra RTV, Rough Terrain Monitor

- Лафетный ствол Cobra RTV для пересеченной местности
- Cobra RTV, Engebeli Arazi Monitörü



ROUGH TERRAIN MONITOR

Technical Data/Технические данные/Teknik Veriler

Manual Monitor Flow Rate at 10 bar Расход ручного ствола при 10 барах 10 Bar'da Akış Hızını Manuel Takip Etme	Max. working pressure Максимальное рабочее давление Maks. çalışma basıncı	Monitor Elevation Угол наклона в вертикальной плоскости Monitör Yükseltme	Material Материал Malzeme	 *
3700 lpm	10bar (235 psi)	-60 to +90 degrees	Stainless steel and bronze/ Нержавеющая сталь и бронза/ Paslanmaz çelik ve bronz	72 kg

Mild steel, two-pack epoxy paint/Углеродистая сталь, покрытие двухкомпонентной эпоксидной смолой/Yumuşak çelik,iki paketli epoksi boya

Marine option/Опция для применения на море/Mavi seçeneği

Foam filled tyre option/Опция с колесами, заполненными пеной/Körük dolu lastik seçeneği

Detachable handle/Съемная ручка/Sökülebilir kol

Manual wheel locking (2 wheels)/Ручное блокирование колес (2 колеса)/Manüel tekerlek kilitleme (2 tekerlek)

2 x 2.5" Inst. male inlets c/w spring-loaded non-return valves/2 x 2,5 дюйма наружные входы с пружинными обратными клапанами/Yaylı tek yönlü vana ile 2 x 2,5" anlık erkek girişler
Monitor: FJM-80 manual

Accessories & Hose Fittings

● R Принадлежности и арматура для рукавов

● T Aksesuarlar ve Hortum Fitingleri

Tyco Fire Department Connection

Арматура Тусо для пожарных бригад

Tyco İtfaiye Bağlantıları



P. 8.015

Tyco Storz & BS336 Couplings/Caps

Головки/заглушки Тусо Storz и BS336

Tyco Storz & BS336 Kaplinler/Başlıklar



P. 8.016

Fire Department Connection

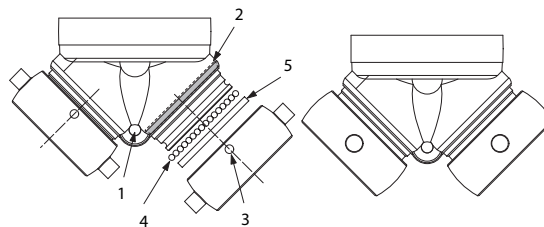
- Арматура для пожарных бригад
- İtfaiye Bağlantıları



SERIES 5710

Body:
Корпус:
Gövde:

Cast Brass
Литая латунь
Döküm Pirinç



Two-way with Single Clapper/Водосборник/Текли Klape ile iki yönlü

Art. Nr.	Inlet Вход Giriş	Outlet Выход Çıkış	Max. flow. Макс. расход Maks. akış	Kg	UN	FM
5710	1 x 4" NPT	2 X 2.1/2" NST	1892 LPM	6	√	√

Parts List/Комплектация/Parça Listesi

Nr.	Description Описание Tanım
1	Clapper Pin/Штифт клапана/Klape pimi
2	Single Clapper/Клапан/Текли Klape
3	Set Screw/Установочный винт/Set Vidası
4	Bearing/Подшипник/Yatak
5	Swivel/Поворотное устройство/Rakor Somunu
6	Gasket/Прокладка/Conta

Optional finishes available on request/

Дополнительные виды отделки доступны под заказ/
İsteğe bağlı farklı malzemede üretim talep üzerine temin edilir

Tyco Storz & BS336 couplings/caps

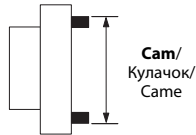
R Головки/заглушки Tyco Storz и BS336

T Tyco Storz & BS336 kaplinler/başlıklar



STORZ

Body: Aluminium
Корпус: Алюминий
Gövde: Alüminyum



Storz Couplings with Female Thread/Головки Storz муфтовые (с внутренней резьбой)/Dişi Dişli Storz Kaplinler

Art. Nr.	Storz	Size Размер Boyut "	Cam Кулачок Kam mm
130181	C-52	3/4 BSP	66
130191	C-52	1 BSP	66
130201	C-52	1.1/4 BSP	66
130211	C-52	1.1/2 BSP	66
130221	C-52	2 BSP	66
130231	C-52	2.1/2 BSP	66
130271	65	1.1/2 BSP	81
130281	65	2 BSP	81
130291	65	2.1/2 BSP	81
0101206530	65	2.1/2 NST	81
130301	65	3 BSP	81
130341	B-75	2 BSP	89
130351	B-75	2.1/2 BSP	89
0101207530	B-75	2.1/2 NST	89
130361	B-75	3 BSP	89
130391	90	3 BSP	105
130411	100	4 BSP	115
0101210040	A-110	4.1/2 NST	133

Storz Blind Cap with Chain/Заглушка Storz с цепочкой/Zincirli Storz Kör Tapa

Art. Nr.	Storz	Cam Кулачок Kam mm
180051	C-52	66
01014065	65	81
01014075	B-75	89
180111	100	115
180131	A-110	133

Storz Couplings with Male Thread/Головки Storz цапковые (с наружной резьбой)/Erkek Dişli Storz Kaplinler

Art. Nr.	Storz	Size Размер Boyut "	Cam Кулачок Kam mm
140171	C-52	1 BSP	66
140181	C-52	1.1/4 BSP	66
140191	C-52	1.1/2 BSP	66
140201	C-52	2 BSP	66
140211	C-52	2.1/2 BSP	66
140271	65	1.1/2 BSP	81
140281	65	2 BSP	81
140291	65	2.1/2 BSP	81
0101206520	65	2.1/2 NST	81
140301	65	3 BSP	81
140341	B-75	2 BSP	89
140351	B-75	2.1/2 BSP	89
10370	B-75	2.1/2 NST	89
140361	B-75	3 BSP	89
140411	100	4 BSP	115

Storz Couplings with special thread and other material available on request/

Головки Storz со специальной резьбой и из другого материала доступны по специальному запросу/

Özel dişli Storz Kaplinler ve diğer malzemeler talep üzerine temin edilir



BS336

Body: Aluminium
Корпус: Алюминий
Gövde: Alüminyum

Coupling, Cap & Chain/Головка, заглушка и цепочка/Kaplin, Başlık ve Zincir BS336

Art. Nr.	Description Описание Tanım
10333	2.1/2 Female NSTxFemale BS336/ 2,1/2 внутренняя NST x внутренняя BS336/2,1/2 Dişi NSTxDişi BS336
10310	2.1/2 Male Cap BS336/2,1/2 наружная крышка BS336/2,1/2 Erkek Tapa BS336

Riser Systems

- R Оборудование для стояков
- T Riser Sistemleri



Dry & Wet Riser Systems

Оборудование для воздушных и водозаполненных пожарных стояков
Kuru ve Islak Riser Sistemleri



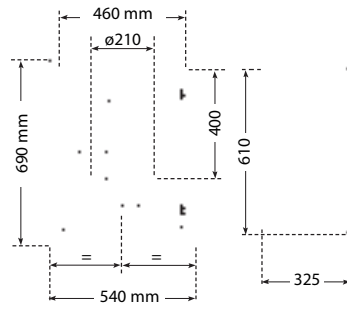
P. 8.018

Dry & Wet Riser Systems

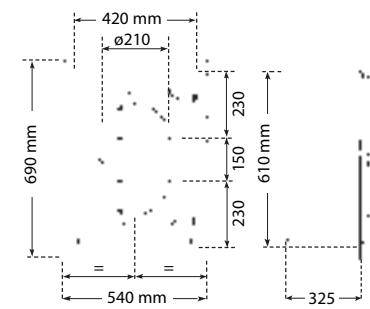
- R** Оборудование для воздушных и водозаполненных пожарных стояков
- T** Kuru ve Islak Riser Sistemleri



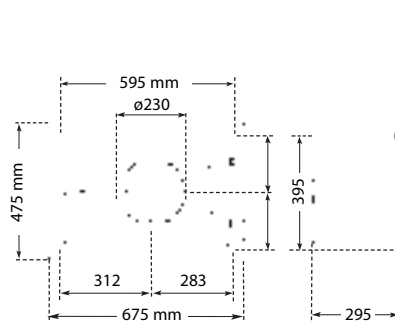
DRY/WET RISER VALVES



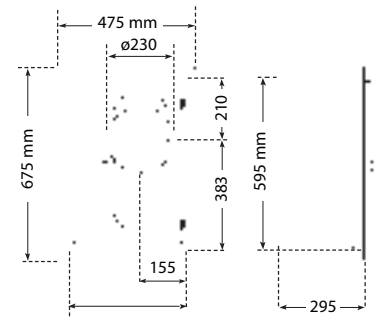
Dry riser landing valve box



Wet riser landing valve box



Horizontal breaching box for twin outlet



Vertical breaching box

Dry/Wet Risers/Воздушные/водозаполненные стояки/Kuru/Islak Riser

Art. Nr.	Description Описание Тайп
10250	2 Way Dry Riser Inlet Breaching /Воздушный стояк с 2 отводами/2 Yollu Kuru Riser Girişi
10246	2.5" Oblique Pattern Hydrant Valve (Flange: BS10 Table D) /2,5 дюйма клапан наклонного гидранта (Фланец: BS10 Таблица D)/2,5" Oblik Desenli Su Ağız Vanası (Flanş: BS10 Tablo D)
11045	2.5" Oblique Pattern Hydrant Valve (DN65 Flange: BS 4505 PN16) /2,5 дюйма клапан наклонного гидранта (Фланец DN65: BS 4505 PN16)//2,5" Oblik Desenli Su Ağız Vanası (DN65 Flanş: BS 4505 PN16)
10247	2.5" Horizontal Pattern Hydrant Valve /2,5 дюйма клапан горизонтального гидранта/2,5" Yatay Desenli Su Ağız Vanası
10251	4 Way Dry Riser Inlet Breaching /Воздушный стояк с 4 отводами/4 Yollu Kuru Riser Girişi
11016	2.5" Dry Riser Gate Valve (inlet: 2.5" Female BSPT) /2,5 дюйма запорный клапан воздушного стояка (Вход: 2,5 дюйма внутренняя резьба BSPT)/2,5" Kuru Riser Sürgülü Vana (giriş: 2,5" Dişi BSPT)
10254	2.5" Dry Riser Gate Valve (Flange: BS 4505 PN16) /2,5 дюйма запорный клапан воздушного стояка (Фланец: BS 4505 PN16)/2,5" Kuru Riser Sürgülü Vana (Flanş: BS 4505 PN16)
11165	2.5" Dry Riser Gate Valve (Flange: BS10 Table D) /2,5 дюйма запорный клапан "сухого" стояка (Фланец: BS10 Таблица D)/2,5" Kuru Riser Sürgülü Vana (Flanş: BS10 Tablo D)

Foam Agents & Foam Hardware

R Пенообразователи и оборудование пенного пожаротушения

T Köpük Sıvıları ve Köpüklü Sistem Donanımları

Foam Agents

Пенообразователи
Köpük Sıvıları



P. 9.002

Foam Generators Low & Medium Expansion

Генераторы пены низкой и средней кратности
Köpük Jeneratörleri Düşük ve Orta Genleşmeli



P. 9.017

Proportioners & Inductors

Дозирующие устройства и дозаторы
Oranlayıcılar ve İndüktörler



P. 9.028

Bladder Tanks & Proportioners

Баки-дозаторы и дозирующие устройства
Diyaframlı Tanklar ve Oranlayıcılar



P. 9.038

Accessories

Принадлежности
Aksesuarlar



P. 9.043

Monitors

Лафетные стволы
Monitörler



P. 9.047

High Expansion Foam Products

Оборудование для получения пены высокой кратности
Yüksek Genleşmeli Köpük Ürünleri



P. 9.053

Foam Hardware, Portable Equipment

Оборудование пенного пожаротушения, переносное оборудование
Köpüklü Sistem Donanımları, Portatif Ekipmanlar



P. 9.059

Foam Agents

Р Пенообразователи

Т Köpük Sıvıları



SKUM TOWALEX AFFF 1% PLUS	P. 9.003
SKUM TOWALEX AFFF 3% PLUS	P. 9.004
ANSUL ANSULITE 3% AFC-3A	P. 9.005
SKUM TOWALEX AFFF 6% PLUS	P. 9.006
SKUM TOWALEX ARC 3X3 PLUS	P. 9.007
ANSUL ANSULITE ARC 3X3 LV	P. 9.008
SKUM TOWALEX ARC 3X6 PLUS	P. 9.009
SKUM TOWALEX FP 3%	P. 9.010
SKUM METEOR T-10	P. 9.011
Foam Concentrate Testing / Тестирование пенообразователя / Köpük Konsantre Testi	P. 9.012

Foam Agents, SKUM Towalex AFFF 1% PLUS

R Пенообразователи, SKUM Towalex AFFF 1% PLUS

T Köpük Sıvıları SKUM Towalex AFFF %1 PLUS



AFFF 1% PLUS

Specification/Технические характеристики/Tanımlama

Name/Название/İsim	Towalex AFFF 1% PLUS
Description/Описание/Tanım	AFFF
Fire Classes/Класс пожара/Yangın Sınıfları	A, B
Shape & Colour/Форма и цвет/Şekil ve Renk	Pale yellow, clear liquid/ Бледно-желтая, прозрачная жидкость/Soluk sarı, şeffaf sıvı
Smell/Запах/Koku	Characteristic, surfactant-alike/ Характерная, похожая на поверхностно-активное вещество/Karakteristik ve yapsal özellikler
Density/Плотность/Yoğunluk (20°C)	1.06±0.02 [g/ml]
pH (concentrate)/рН (концентрата)/рН (konsantre) (20°C)	7.5±0.5
Viscosity/Вязкость/Akışkanlık 20°C	6.0±1.0 [mm ² /s]
Sediment/Осадок/Çökelti (EN 1568)	≤ 0.1 %
Admixing ratio/Процент дозирования/Karıştırma oranı	1 % Vol
Expansion Ratio/Коэффициент расширения/Genleşme Oranı (EN1568-3)	≥ 6.0
Drain Time 25%/Время разрушения 25%/Boşaltma Süresi %25 (20°C, EN 1568-3)	≥ 2:30 [min:s]
Drain Time 50%/Время разрушения 50%/Boşaltma Süresi %50 (20°C, EN 1568-3)	≥ 4:00 [min:s]
Expansion/Кратность/Genleşme Genişleme	Low, Medium/Низкая, средняя/Düşük, Orta
Pour Point/Точка текучести/Dökme Derecesi	≤ -8 °C
Recommended storage / Usage temperature/ Рекомендуемая температура хранения / Применения / Tavsiye edilen depolama sıcaklığı / Kullanım sıcaklığı	-5 to +60 °C

Towalex AFFF 1% PLUS can be supplied in cans, drums, totes or bulk (contact us for bulk delivery details).

Towalex AFFF 3% PLUS может поставляться в канистрах, бочках, кубовых емкостях или объемами по запросу (обратитесь к нам для дополнительной информации о поставке объемов по запросу).

Towalex AFFF %3 PLUS kutularda, bidonlarda, varillerde veya dökme tank olarak temin edilebilir (dökme tank teslimat detayları için iletişime geçiniz).

Material Safety Datasheet available upon request

Паспорт безопасности материала доступен по запросу

Malzeme Güvenlik Veri Sayfası istek üzerine mevcuttur

TOWALEX AFFF 1% PLUS

Art. Nr.	Volume Объем Hacim Ltr.	kg	EN 1568
F101166C2	20	22.4	✓
F101166C1	25	27	✓
F101166E1	200	224.5	✓
F101166T1	1000	1118	✓
F101166B1	BULK	On application	✓

Foam Agents, SKUM Towalex AFFF 3% PLUS

R Пенообразователи, SKUM Towalex AFFF 1% PLUS

T Köpük Sıvıları , SKUM Towalex AFFF %3 PLUS



AFFF 3% PLUS

Specification/Технические характеристики/Tanımlama

Name/Название/İsim	Towalex AFFF 3% plus
Description/Описание/Танım	AFFF
Fire Classes/Класс пожара/Yangın Sınıfları	A, B
Shape & Colour/Форма и цвет/Şekil ve Renk	Pale yellow, clear liquid/ Бледно-желтая, прозрачная жидкость/Soluk sarı, berrak sıvı
Smell/Запах/Koku	Characteristic, surfactant-alike/ Характерная, похожая на поверхностно-активное вещество/Karakteristik ve Yapısal Özellikler
Density/Плотность/Yoğunluk (20°C)	1.02±0.02 [g/ml]
pH (concentrate)/рН (концентрата)/рН (konsantre) (20°C)	7.5±0.5
Viscosity/Вязкость/Аkışkanlık 20°C	2.0±1.0 [mm²/s]
Sediment/Осадок/Çökelti (EN 1568)	≤ 0.05 %
Admixing ratio/Процент дозирования/Karıştırma oranı	3 % Vol
Expansion Ratio/Коэффициент расширения/Genleşme Oranı (EN1568-3)	≥ 8.0
Drain Time 25%/Время разрушения 25%/Boşaltma Süresi %25 (20°C, EN 1568-3)	≥ 2:30 [min:s]
Drain Time 50%/Время разрушения 50%/Boşaltma Süresi %50(20°C, EN 1568-3)	≥ 4:00 [min:s]
Expansion/Кратность/Genleşme	Low, Medium/Низкая, средняя/Düşük, Orta
Freezing Point/Температура замерзания/Donma Noktası	≤-9 °C
Pour Point/Точка текучести/Dökme Derecesi	≤-5 °C
Recommended storage / Usage temperature/ Рекомендуемая температура хранения / Применения / Tavsiye edilen depolama sıcaklığı / Kullanım Sıcaklığı	-2 to +60 °C

Towalex AFFF 3% PLUS can be supplied in cans, drums, totes or bulk (contact us for bulk delivery details).

Die Lieferung von Towalex AFFF 3% Plus kann in Kanistern, Fässern, Transportbehältern oder als Massengut erfolgen

(bitte nach weiteren Einzelheiten zum Versand als Massengut erfragen)

Towalex AFFF %3 PLUS kutularda, bidonlarda, varillerde veya dökme tank olarak temin edilebilir (dökme tank teslimat detayları için iletişime geçiniz).

Material Safety Datasheet available upon request

Паспорт безопасности материала доступен по запросу

Malzeme Güvenlik Veri Sayfası istek üzerine mevcuttur

TOWALEX AFFF 3% PLUS			
Art. Nr.	Volume Объем Hacim Ltr.	Kg	EN 1568
F103146C2	20	22.4	√
F103146C1	25	27	√
F103146D1	200	224.5	√
F103146T1	1000	1118	√
F103146B1	BULK	On application	√

Foam Agents, ANSUL Ansulite 3% AFC-3A

R Пенообразователи, SKUM Towalex AFFF 3% PLUS

T Köpük Sıvıları , ANSUL Ansulite %3 AFC-3A



Specification/Технические характеристики/Tanımlama

Name/Название/İsim	ANSULITE 3% AFCA-3A
Description/Описание/Танım	AFFF
Fire Classes/Класс пожара/Yangın Sınıfları	A, B
Shape & Colour/Форма и цвет/Şekil ve Renk	Pale yellow, clear liquid/ Бледно-желтая, прозрачная жидкость/Soluk sarı, berrak sıvı
Smell/Запах/Кoku	Characteristic, surfactant-alike/ Характерная, похожая на поверхностно-активное вещество/Karakteristik ve Yapısal Özellikler
Density/Плотность/Yoğunluk (20°C)	1.26±0.02 [g/ml]
pH (concentrate)/рН (концентрата)/рН (konsantre) (20°C)	7.0±8.5
Viscosity/Вязкость/Akışkanlık 20°C	2.9±1.0 centistokes
Admixing ratio/Процент дозирования/Karıştırma oranı	3 % Vol
Expansion/Кратность/Genleşme	Low, Medium/Низкая, средняя/Düşük, Orta
Recommended storage / Usage temperature/ Рекомендуемая температура хранения / Применения / Tavsiye edilen depolama sıcaklığı / Kullanım Sıcaklığı	+2 to +49 °C

Ansulite 3% AFC-3A can be supplied in cans, drums or totes.

Ansulite 3% AFC-3A может поставляться в канистрах, бочках или кубовых емкостях.

Ansulite %3 AFC-3A kutularda, bidonlarda ve varillerde temin edilebilir.

Material Safety Datasheet available upon request

Паспорт безопасности материала доступен по запросу

Malzeme Güvenlik Veri Sayfası istek üzerine mevcuttur

Ansulite 3% AFC-3A				
Art. Nr.	Volume Объем Hacim Ltr.	Kg	UL 162	FMI
55800	19 L (5 GAL)	20.4	✓	✓
55809	208 L (55 GAL)	224.5	✓	✓
431499	1000 L (265 GAL)	1118	✓	✓

Foam Agents, SKUM Towalex AFFF 6% PLUS

R Пенообразователи, SKUM Towalex AFFF 6% PLUS

T Köpük Sıvıları , SKUM Towalex AFFF %6 PLUS



AFFF 6% PLUS

Specification/Технические характеристики/Tanımlama

Name/Название/İsim	Towalex AFFF 6% PLUS
Description/Описание/Tanım	AFFF
Fire Classes/Класс пожара/Yangın Sınıfları	A, B
Shape & Colour/Форма и цвет/Şekil ve Renk	Pale yellow, clear liquid/ Бледно-желтая, прозрачная жидкость/Soluk sarı, berrak sıvı
Smell/Запах/Koku	Characteristic, surfactant-alike/ Характерная, похожая на поверхностно-активное вещество/Karakteristik ve Yapısal Özellikler
Density/Плотность/Yoğunluk (20°C)	1.02±0.02 [g/ml]
pH (concentrate)/рН (концентрата)/рН (konsantre) (20°C)	7.5±0.5
Viscosity/Вязкость/Akışkanlık 20°C	2.0±1.0 [mm ² /s]
Sediment/Осадок/Çökelti (EN 1568)	≤ 0.05 %
Admixing ratio/Процент дозирования/Karıştırma oranı	6 % Vol
Expansion Ratio/Коэффициент расширения/Genleşme Oranı (EN1568-3)	≥ 8.0
Drain Time 25%/Время разрушения 25%/Boşalma Süresi %25 (20°C, EN 1568-3)	≥ 2:30 [min:s]
Drain Time 50%/Время разрушения 50%/Boşalma Süresi %50 (20°C, EN 1568-3)	≥ 4:00 [min:s]
Expansion/Кратность/Genleşme	Low, Medium/Низкая, средняя/Düşük, Orta
Freezing Point/Температура замерзания/Donma Noktası	≤ -9 °C
Pour Point/Точка текучести/Dökme Derecesi	≤ -5 °C
Recommended storage / Usage temperature/ Рекомендуемая температура хранения / Применения / Tavsiye edilen depolama sıcaklığı / Kullanım Sıcaklığı	-2 to +60 °C

Towalex AFFF 6% PLUS can be supplied in cans, drums, totes or bulk (contact us for bulk delivery details).

Towalex AFFF 6% PLUS может поставляться в канистрах, бочках, кубовых емкостях или объемами по запросу (обратитесь к нам для дополнительной информации о поставке объемов по запросу).

Towalex AFFF %6 PLUS kutularda, bidonlarda, varillerde veya dökme tank olarak temin edilebilir (dökme tank teslimat detayları için iletişime geçiniz).

Material Safety Datasheet available upon request

Паспорт безопасности материала доступен по запросу

Malzeme Güvenlik Veri Sayfası istek üzerine mevcuttur

TOWALEX AFFF 6% PLUS			
Art. Nr.	Volume Объем Hacim Ltr.	Kg	EN 1568
F106147C2	20	22.4	✓
F106147C1	25	27	✓
F106147D1	200	224.5	✓
F106147T1	1000	1118	✓
F106147B1	BULK	On application	✓

Foam Agents, SKUM Towalex ARC 3x3 PLUS

R Пенообразователи, SKUM Towalex ARC 3x3 PLUS

T Köpük Sıvıları, SKUM Towalex ARC 3x3 PLUS



ARC 3x3 PLUS

Specification/Технические характеристики/Tanımlama

Name/Название/İsim	Towalex ARC 3x3 PLUS
Description/Описание/Танım	AFFF-AR
Fire Classes/Класс пожара/Yangın Sınıfları	A, B
Shape & Colour/Форма и цвет/Şekil ve Renk	Pale yellow, clear liquid/ Бледно-желтая, прозрачная жидкость/Soluk sarı, berrak sıvı
Smell/Запах/Koku	Characteristic, surfactant-alike/ Характерная, похожая на поверхностно-активное вещество/Karakteristik ve Yapısal Özellikler
Density/Плотность/Yoğunluk (20°C)	1.05±0.02 [g/ml]
pH (concentrate)/рН (концентрата)/рН (konsantre) (20°C)	7.5±0.5
Viscosity/Вязкость/Akışkanlık 20°C	1800±200 [Cps]
Sediment/Осадок/Çökelti (EN 1568)	≤ 0.1 %
Admixing ratio/Процент дозирования/Karıştırma oranı	3 % Vol
Expansion Ratio/Коэффициент расширения/Genleşme Oranı (EN1568-3)	≥ 8.0
Drain Time 25%/Время разрушения 25%/Boşalma Süresi %25 (20°C, EN 1568-3)	≥ 6:00 [min:s]
Drain Time 50%/Время разрушения 50%/Boşalma Süresi %50 (20°C, EN 1568-3)	≥ 10:00 [min:s]
Expansion/Кратность/Genleşme	Low, Medium, (High)/Низкая, средняя (Leicht)/Düşük, Orta, (Yüksek)
Freezing Point/Температура замерзания/Donma Noktası	≤ -13 °C
Pour Point/Точка текучести/Dökme Derecesi	≤ -10 °C
Recommended storage / Usage temperature	-8 to +50 °C
Рекомендуемая температура хранения / Применения	
Tavsiye edilen depolama sıcaklığı / Kullanım Sıcaklığı	

Towalex ARC 3x3 PLUS can be supplied in cans, drums, totes or bulk (contact us for bulk delivery details).

Towalex AFFF 6% PLUS может поставляться в канистрах, бочках, кубовых емкостях или объемами по запросу (обратитесь к нам для дополнительной информации о поставке объемов по запросу).

Towalex ARC 3x3 PLUS kutularda, bidonlarda, varillerde veya dökme tank olarak temin edilebilir (dökme tank teslimat detayları için iletişime geçiniz).

Material Safety Datasheet available upon request

Паспорт безопасности материала доступен по запросу

Malzeme Güvenlik Veri Sayfası istek üzerine mevcuttur

TOWALEX ARC 3x3 PLUS

Art. Nr.	Volume Объем Hacim Ltr.	kg	EN 1568
F113165C2	20	22.4	✓
F113165C1	25	27	✓
F113165D1	200	224.5	✓
F113165T1	1000	1118	✓

Foam Agents, ANSUL Ansulite ARC 3x3 low viscosity

- R** Пенообразователи, ANSUL Ansulite ARC 3x3 низкой вязкости
- T** Köpük Sıvıları, ANSUL Ansulite ARC 3x3 düşük viskozite



ARC 3X3 LOW VISCOSITY

Specification/Технические характеристики/Tanımlama

Appearance/Внешний вид/Görünüm	Colourless to pale yellow clear gelled liquid/От бесцветного до бледно-желтого цвета гелеобразная жидкость / Rensiz, soluk sarı arası şeffaf jelleşmiş sıvı
Fire Classes/Класс пожара/Yangın Sınıfları	A, B
Mixing Ratio/Процент дозирования/Karıştırma Oranı	3%
Application Protection/Области применения/Uygulamalar	Hydrocarbon/Polar solvent fuel fires/Возгорание углеводородов/ Полярных растворителей/Hidrokarbon/Polar çözücü yangınları
Expansion/Кратность/Genişleme	Low, Medium/Низкая, средняя/Düşük, Orta
Density/Плотность/Yoğunluk @ 20° C	1.020 +/- 0.020 g/ml
pH	7.0 - 8.5
Viscosity/Вязкость/Akışkanlık @ 20° C	1500 +/- 500 Cps
Storage & usage Temperature/Рекомендуемая температура хранения и использования/Saklama ve kullanma Isısı	+2 to +49° C

Material Safety Datasheet available upon request

Паспорт безопасности материала доступен по запросу

Malzeme Güvenlik Veri Sayfası istek üzerine mevcuttur

ANSULITE 3X3 LOW VISCOSITY

Art. Nr.	Volume Объем Hacim Ltr.	Kg	UL-162 FM APPROVAL
416493	19L (5 GAL)	20.4	√ √
416495	208L (55 GAL)	224.5	√ √
429741	1000L (265 GAL)	1118	√ √

Note: Ansul products are available from authorised Ansul dealers; contact sales for further details.

Примечание: Изделия Ansul можно приобрести у уполномоченных дилеров компании Ansul; обратитесь в отдел продаж для дополнительной информации.

Not: Ansul ürünleri yetkili Ansul satıcılarından temin edilebilir; daha fazla detay için satışla irtibata geçiniz.

Foam Agents, SKUM Towalex ARC 3x6 PLUS

R Пенообразователи, SKUM Towalex ARC 3x6 PLUS

T Köpük Sıvıları, SKUM Towalex ARC 3x6 PLUS



ARC 3X6 PLUS

Specification/Технические характеристики/Tanımlama

Name/Название/İsim	Towalex ARC 3x6	
Description/Описание/Танım	AFFF-AR	
Fire Classes/Класс пожара/Yangın Sınıfları	A, B	
Shape & Colour/Форма и цвет/Şekil ve Renk	Pale yellow, clear liquid/ Бледно-желтая, прозрачная жидкость/Soluk sarı, berrak sıvı	
Smell/Запах/Кoku	Characteristic, surfactant-alike/ Характерная, похожая на поверхностно-активное вещество/Karakteristik ve Yapısal Özellikler	
Density/Плотность/Yoğunluk (20°C)	1.04±0.02 [g/ml]	
pH (concentrate)/рН (концентрата)/рН (konsantre) (20°C)	7.5±0.5	
Viscosity/Вязкость/Аkışkanlık 20°C	1100±200 [Cps]	
Sediment/Осадок/Çökelti (EN 1568)	≤ 0.1 %	
Admixing ratio/Процент дозирования/Karıştırma oranı	AFFF: 3 % Vol	AR: 6 % Vol
Expansion Ratio/Коэффициент расширения/Genleşme Oranı (EN1568-3)	AFFF: ≥ 7.0	AR: ≥ 9.0
Drain Time 25%/Время разрушения 25%/Boşalma Süresi %25 (20°C, EN 1568-3)	AFFF: ≥ 5:00 [min:s]	AR: ≥ 10:00 [min:s]
Drain Time 50%/Время разрушения 50%/Boşalma Süresi %50 (20°C, EN 1568-3)	AFFF: ≥ 9:00 [min:s]	AR: ≥ 15:00 [min:s]
Expansion/Кратность/Genleşme	Low, Medium, (High)/Низкая, средняя (Leicht)/Düşük, Orta, (Yüksek)	
Freezing Point/Температура замерзания/Donma Noktası	≤ -13 °C	
Pour Point/Точка текучести/Dökme Derecesi	≤ -10 °C	
Recommended storage / Usage temperature/ Рекомендуемая температура хранения / Применения / Tavsiye edilen depolama sıcaklığı / Kullanım Sıcaklığı	-5 to +60 °C	

Towalex ARC 3x6 PLUS can be supplied in cans, drums, totes or bulk (contact us for bulk delivery details).

Towalex ARC 3x6 PLUS может поставляться в канистрах, бочках, кубовых емкостях или объемами по запросу (обратитесь к нам для дополнительной информации о поставке объемов по запросу).

Towalex ARC 3x6 PLUS kutularda, bidonlarda, varillerde veya dökme tank olarak temin edilebilir (dökme tank teslimat detayları için iletişime geçiniz).

Material Safety Datasheet available upon request

Паспорт безопасности материала доступен по запросу

Malzeme Güvenlik Veri Sayfası istek üzerine mevcuttur

TOWALEX ARC 3x6 PLUS				
Art. Nr.	Volume Объем Hacim Ltr.	Kg	EN-1568	IMO MSC ARC 1312
F116168C1	25	27	✓	✓
F116168D1	200	224.5	✓	✓
F116168T1	1000	1118	✓	✓

Foam Agents, SKUM Towalex FP 3%

R Пенообразователи, SKUM Towalex FP 3%

T Köpük Sıvıları, SKUM Towalex FP %3



Specification/Технические характеристики/Tanımlama

Name/Название/İsim	Towalex FP 3%
Description/Описание/Tanım	Fluoroprotein Foam/Фторпротеиновая пена/Fluoroprotein Köpük
Fire Classes/Класс пожара/Yangın Sınıfları	B
Shape & Colour/Форма и цвет/Şekil ve Renk	Brown clear liquid/Коричневая прозрачная жидкость/Kahverengi şeffaf sıvı
Smell/Запах/Кoku	Characteristic, Protein/Характерная, протеиновая/Karakteristik, Protein
Density/Плотность/Yoğunluk (20°C)	1.16±0.02 [g/ml]
pH (concentrate)/рН (концентрата)/рН (konsantre) (20°C)	6.0 - 8.0
Viscosity/Вязкость/Аkışkanlık 20°C	8.0±2.0 [mm²/s]
Sediment/Осадок/Çökelti (EN 1568)	≤ 0.25 %
Admixing ratio/Процент дозирования/Karıştırma oranı	3 % Vol
Expansion Ratio/Коэффициент расширения/Genleşme Oranı (EN1568-3)	7.0
Drain Time 25%/Время разрушения 25%/Boşalma Süresi %25 (20°C, EN 1568-3)	≥ 5:00 [min:s]
Drain Time 50%/Время разрушения 50%/Boşalma Süresi %50 (20°C, EN 1568-3)	≥ 9:00 [min:s]
Expansion/Кратность/Genleşme	Low, Medium/Низкая, средняя/Düşük, Orta
Freezing Point/Температура замерзания/Donma Noktası	-15 °C
Pour Point/Точка текучести/Dökme Derecesi	-12 °C
Recommended storage / Usage temperature/ Рекомендуемая температура хранения / Применения / Tavsiye edilen depolama sıcaklığı / Kullanım Sıcaklığı	-10 to +60 °C

Towalex FP 3% can be supplied in cans, drums, totes or Bulk (contact us for bulk delivery details).

Towalex FP 3% PLUS может поставляться в канистрах, бочках, кубовых емкостях или объемами по запросу (обратитесь к нам для дополнительной информации о поставке объемов по запросу).

Towalex FP %3 kutularda, bidonlarda, varillerde veya dökme tank olarak temin edilebilir (dökme tank teslimat detayları için iletişime geçiniz).

Material Safety Datasheet available upon request

Паспорт безопасности материала доступен по запросу

Malzeme Güvenlik Veri Sayfası istek üzerine mevcuttur

TOWALEX FP 3%					
Art. Nr.	Volume Объем Hacim Ltr.	Weight Kg	EN 1568	UL 162	IMO MSC / CIRC. 1312
F503120C2	20	22.4	✓	✓	✓
F503120C1	25	27	✓	✓	✓
F503120D1	200	224.5	✓	✓	✓
F503120T1	1000	1118	✓	✓	✓
F503120B1	BULK	On application	✓	✓	✓

Foam Agents, SKUM Towalex Meteor T-10

R Пенообразователи, SKUM Towalex Meteor T-10

T Köpük Sıvıları, SKUM Towalex Meteor T-10



TOWALEX METEOR T-10

Specification/Технические характеристики/Tanımlama

Name/Название/İsim	Towalex Meteor T-10		
Description/Описание/Танım	Hi-Expansion foam		
Fire Classes/Класс пожара/Yangın Sınıfları	A, B		
Shape & Colour/Форма и цвет/Şekil ve Renk	Pale brown clear liquid/Коричневая прозрачная жидкость/Soluk kahverengi şeffaf sıvı		
Smell/Запах/Koku	Characteristic, surfactant-alike/ Характерная, похожая на поверхностно-активное вещество/Karakteristik ve Yapısal Özellikler		
Density/Плотность/Yoğunluk (20°C)	1.06±0.02 [g/ml]		
pH (concentrate)/рН (концентрата)/рН (konsantre) (20°C)	7.5±1.0		
Viscosity/Вязкость/Аkışkanlık 20°C	7.0±2.0 [mm²/s]		
Sediment/Осадок/Çökelti (EN 1568)	≤ 0.1 %		
Admixing ratio/Процент дозирования/Karıştırma oranı	3 % Vol		
Expansion/Кратность/Genleşme	Medium	High expansion	Low expansion
Expansion Ratio/Коэффициент расширения/Genleşme Oranı	≥ 120:1	≥ 800:1	≥ 9:1
Drain Time 25%/Время разрушения 25%/Boşalma Süresi %25	≥ 10:00 [min:s]	≥ 10:00 [min:s]	≥ 8:00 [min:s]
Drain Time 50%/Время разрушения 50%/Boşalma Süresi %50	N/A	N/A	≥ 15:00 [min:s]
Freezing Point/Температура заморозания/Donma Noktası	≤ -13 °C		
Pour Point/Точка текучести/Dökme Derecesi	≤ -10 °C		
Recommended storage / Usage temperature/ Рекомендуемая температура хранения / Применения / Tavsiye edilen depolama sıcaklığı / Kullanım Sıcaklığı	-8 to +60 °C		

Towalex Meteor T-10 can be supplied in cans, drums, totes or bulk (contact us for bulk delivery details).

Towalex Meteor T-10 может поставляться в канистрах, бочках, кубовых емкостях или объемами по запросу (обратитесь к нам для дополнительной информации о поставке объемов по запросу).

Towalex Meteor T-10 kutularda, bidonlarda, varillerde veya dökme tank olarak temin edilebilir (dökme tank teslimat detayları için iletişime geçiniz).

Material Safety Datasheet available upon request

Паспорт безопасности материала доступен по запросу

Malzeme Güvenlik Veri Sayfası istek üzerine mevcuttur

TOWALEX Meteor T-10				
Art. Nr.	Volume Объем Hacim Ltr.	Kg	EN 1568	IMO MSC (IBC) 670
F203163C2	20	22.4	✓	✓
F203163C1	25	27	✓	✓
F203163D1	200	224.5	✓	✓
F203163T1	1000	1118	✓	✓
F203163B1	BULK	On application	✓	✓

Foam Concentrate Testing

- R** Тестирование пенообразователя
- T** Köpük Konsantre Testi



Three levels of foam testing are available as the most standard performed by us – Standard Quality, PFOS content, and Proportioning:

Standard Quality

Includes:

- // Analysis of physical properties as required: pH, refractive index, density, and/or viscosity, as well as sedimentation for protein foams.
- // Foam quality testing for expansion with 25% and 50% drain times.
- // Lab-scale fire test on Alcohol resistant foam concentrates including extinguishment and burn-back time.
- // Pass/fail report issued upon completion of analysis.

PFOS

- // Used to verify conformity of your foam to EN Directive 2006/122/EC on Perfluorooctane Sulfonates (PFOS) limits at 50ppm and EU 757/2010 at 10ppm.

Proportioning

- // Used to verify system-proportioning capability.
- // Refractive index comparison curve issued upon completion of analysis.

Ordering Information

Foam test kits can be ordered through any of our local offices using the following ordering details:

Part No.	Description
850000	Foam Quality Sampling Pack (1.5 lt)
850001	PFOS Sampling Pack (0.2 lt)
FOAMTEST -QUALITY	Standard Foam Quality Analysis
FOAMTEST -PFOS	Foam PFOS Content Analysis
FOAMTEST -%	Foam concentrate proportioning test
FOAMTEST -POURPOINT	Determines foam pourpoint °C

Sample Pack details:

850000

Envelope with air bubble containing :

- // Foldable carton box for foam sample shipment
- // Technical information & sampling advices
- // 2 Labels (Foam sample + Shipping)
- // Liquid pack 1.5lt with sealing cap

850001

Envelope with air bubble containing :

- // Carton box for foam sample shipment
- // Technical information & sampling advices
- // 2 Labels (Foam sample + Shipping)
- // Liquid pack 0.2lt with sealing cap

Foam Concentrate Testing

- R Тестирование пенообразователя
- T Köpük Konsantre Testi



Существуют три вида тестирования пенообразователя, выполняемых нами в качестве стандартных - Стандартный качественный анализ, содержание перфтороктановых кислот и соблюдение параметров дозирования:

Стандартный качественный анализ

Стандартный качественный анализ

- // Анализ физических свойств в соответствии с требованиями: pH, показатель преломления, удельная плотность и/или вязкость, а также образование осадка для протеиновых видов пены.
- // Проверка качества пены на кратности со временем разрушения 25% и 50%.
- // Лабораторные огневые испытания спиртоустойчивых пенообразователей, включая время тушения и повторного возгорания.
- // После завершения анализа составляется отчет о прохождении/непрохождении испытаний.

Перфтороктансульфонат

- // Используется для проверки соответствия директиве EC 2006/122/EC и EU 757/2010 по предельному содержанию перфтороктансульфонатов, составляющему 50 млн.-1 и 10 млн.-1 соответственно

Дозирование

- // Используется для проверки возможностей дозирования системы.
- // Кривая сопоставления показателя преломления составляется после выполнения анализа.

Информация по заказу

Комплект для тестирования пены может быть заказан через любой из наших местных офисов, используя следующую информацию для заказа:

№ позиции	Описание
850000	Количество пены в комплекте анализа (1,5 л)
850001	Комплект анализа перфтороктансульфоната (0,2 л)
FOAMTEST -QUALITY	Стандартный качественный анализ
FOAMTEST -PFOS	Анализ содержания перфтороктансульфоната в пене
FOAMTEST -%	Тестирование дозирования пенообразователя
FOAMTEST -POURPOINT	Определение точки текучести °C

Сведения о комплекте для анализа:

850000

Упаковано в пузырчатую пленку и содержит следующее:

- // Складываемую картонную коробку для отправки образца пены
- // Техническую информацию и рекомендации по отбору образца
- // 2 этикетки (Образец пены + Отправка)
- // Ёмкость объемом 1,5 л с герметичной крышкой

850001

Упаковано в пузырчатую пленку и содержит следующее:

- // Картонную коробку для отправки образца пены
- // Техническую информацию и рекомендации по отбору образца
- // 2 этикетки (Образец пены + Отправка)
- // Ёмкость объемом 0,2 л с герметичной крышкой

Foam Concentrate Testing

- R** Тестирование пенообразователя
- T** Köpük Konsantre Testi



Standart olarak uyguladığımız üç seviye köpük testi mevcuttur Standart Kalite, PFOS içeriği ve Oranlama:

Standart Kalite

İçeriği:

- // Gerekli fiziksel özelliklerin analizi: Ph, kırılımsal endeks, yoğunluk ve/veya viskozite, ayrıca protein köpükleri için çökelme.
- // %25 ve %50 boşalma süreleri ile genişleme için köpük kalite testi.
- // Alkol dirençli köpük konsantreleri üzerinde söndürme ve geri yanma süreleri dahil laboratuvar ölçekli yangın testi.
- // Analizin tamamlanmasını takiben geçme/kalma raporu verilir.

PFOS

- // Köpüğünüzün EN Direktifi 2006/122/EC ile Perflorooktan Sülfonat (PFOS) limitleri 50ppm ve EU 757/2010 10ppm üzerinde uyumunu doğrulamak için kullanılır.

Oranlama

- // Sistemin oranlama yeteneğini doğrulamak için kullanılır.
- // Analizin tamamlanmasını takiben kırılımsal endeks kıyaslama eğrisi verilir.

Sipariş Verme Bilgisi

Köpük test kitleri aşağıdaki sipariş verme detayları kullanılarak herhangi bir yerel ofisimizden sipariş verilebilir:

Parça No.	Tanım
850000	Köpük Kalite Örneklem Paketi (1,5 lt)
850001	PFOS Örneklem Paketi (0,2 lt)
FOAMTEST -QUALITY	Standart Köpük Kalite Analizi
FOAMTEST -PFOS	Köpük PFOS İçeriği Analizi
FOAMTEST -%	Köpük konsantre oranlama testi
FOAMTEST -POURPOINT	Köpük akma noktası °C saptar

Örnek Paket detayları:

850000

Hava balonlu zarfta içerik:

- // Köpük örnek gönderisi için katlanabilir karton kutu
- // Teknik bilgi ve örneklem tavsiyeleri
- // 2 Etiket (Köpük örneği + Gönderi)
- // Sızdırmaz kapaklı sıvı pakedi 1,5lt

850001

Hava balonlu zarfta içerik:

- // Köpük örnek gönderisi için karton kutu
- // Teknik bilgi ve örneklem tavsiyeleri
- // 2 Etiket (Köpük örneği + Gönderi)
- // Sızdırmaz kapaklı sıvı paketi 0,2lt

Foam Generators - Low & Medium Expansion

- ® Генераторы пены низкой и средней кратности
- ™ Köpük Jeneratörleri – Düşük ve Orta Genleşme

Fixed Low Expansion Foam Branchpipe, Model MLB

Стационарный лафетный ствол для пены низкой кратности, модель MLB
Sabit Düşük Genleşmeli Köpük Manifold Bölümü, Model MLB



P. 9.016

Stationary Medium Expansion Foam Generator, Model MRM

Стационарный генератор пены средней кратности, модель MRM
Yerleşik Orta Genleşmeli Köpük Üretici, Model MRM



P. 9.017

Medium Expansion Foam Generator, Model MEF

Генератор пены средней кратности, модель MEF
Orta Genleşmeli Köpük Jeneratörü, Model MEF



P. 9.018

High Back Pressure Foam Generators, Model PFG

Генератор пены с высоким встречным давлением, модель PFG
Yüksek Geri Basıncılı Köpük Jeneratörleri , Model PFG



P. 9.019

Foam Sealing Membrane, Model SM

Уплотнительная мембрана , модель SM
Köpük Sızdırmazlık Zarı, Model SM



P. 9.020

Semi-Subsurface Foam Injection Device, Model HSSS

Устройство подачи пены для полуподслойного тушения, модель HSSS
Yarı-Yüzeyaltı Köpük Enjeksiyon Cihazı, Model HSSS



P. 9.021

Over-the-Top Foam Generator, Model OFG/OFG-R

Пенная камера, модель OFG/OFG-R
Tavan Uygulamalı Köpük Jeneratörü, Model OFG/OFG-R



P. 9.022

Low Expansion Foam Nozzle

Дренчерный ороситель для пены низкой кратности
Düşük Genleşmeli Köpük Nozulu



P. 9.024

Foam Water Sprinklers, Pendent

Пенные спринклеры, розеткой вниз
Köpüklü Su Sprinklerleri, Aşağı Bakan



B-1

P. 9.025

Foam Water Sprinklers, Upright

Пенные спринклеры, розеткой вверх
Köpüklü Su Sprinklerleri, Yukarı Bakan



B-1

P. 9.025

FOAM GENERATORS - LOW & MEDIUM EXPANSION FIXED LOW EXPANSION BRANCHPIPE, MODEL MLB

R ГЕНЕРАТОРЫ ПЕНЫ - НИЗКОЙ И СРЕДНЕЙ КРАТНОСТИ

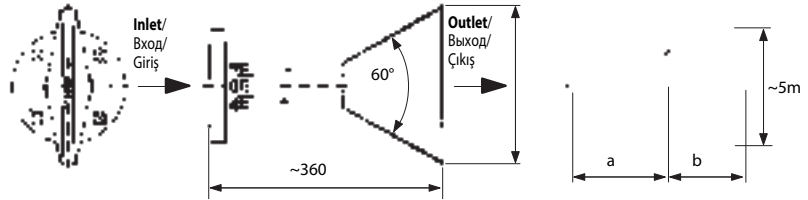
T KÖPÜK JENERATÖRÜ – DÜŞÜK VE ORTA GENLEŞME

Sabit Düşük Genleşmeli Köpük Manifold Bölümü, Model MLB



MLB

A low expansion foam generator, usually used for dikes or loading rack floor protection
Генератор пены низкой кратности обычно используется для защиты обвалования или пола погрузочной эстакады
Düşük genleşmeli köpük jeneratörü , genellikle tank havuzları veya malzeme ikmal alanlarının korunmasında kullanılır



Performance Data / Эксплуатационные параметры / Performans Verileri

	MLB-40 F DIN MLB-40 F ANSI	MLB-65 F DIN MLB-65 F ANSI
Art. Nr.	101504125 101504229	101506126 101506228
Capacity at 5 bar /Производительность при 5 барах/5 bar'da kapasite	Up to/Вплоть до/Kadar 500 l/min	Up to/Вплоть до/Kadar 1.300 l/min
k-factor /к-фактор/k-faktörü	224	581
Area coverage, footprint (a-b) /Площадь покрытия, занимаемая площадь (a-b)/Kapsama alanı, taban yüzeyi (a-b)	4-6 m at/при/da 5 bar	5-9 m at/при/da 5 bar
Foam expansion ratio* /Коэффициент кратности пены*/Köpük genleşme oranı*	Up to/Вплоть до/Kadar 15:1	Up to/Вплоть до/Kadar 15:1
Connection /Тип соединения/Bağlantı	40 DIN PN16 or/или/veya 1.1/2" ANSI 150 lbs	65 DIN PN16 or/или/veya 2.1/2" ANSI 150 lbs
Weight /Вес/Ağırlık	5 kg	5.5 kg
Material Body /Материал корпуса/Gövde Malzemesi	Stainless Steel /Нержавеющая сталь/Paslanmaz Çelik	
Flange /Фланец/Flanş	Stainless Steel /Нержавеющая сталь/Paslanmaz Çelik	

*Depending on foam concentrate type / Зависит от типа пенообразователя / Köpük konsantre tipine bağlı

1 bar = 0.1 MPa - 14.5 psi

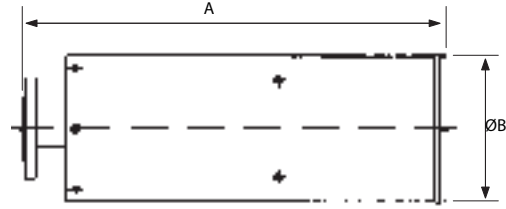
FOAM GENERATORS - LOW & MEDIUM EXPANSION

STATIONARY MEDIUM EXPANSION FOAM GENERATOR, MODEL MRM

R ГЕНЕРАТОРЫ ПЕНЫ - НИЗКОЙ И СРЕДНЕЙ КРАТНОСТИ

T KÖPÜK JENERATÖRLERİ – DÜŞÜK VE ORTA GENİŞLEME

Yerleşik Orta Genleşmeli Köpük Üretici, Model MRM



MRM

Performance Data / Эксплуатационные параметры / Performans Verileri

MRM	50F	50F	65F	80F
Inlet pressure/ Давление на входе/ Giriş basıncı	3 bar / 5 bar	3 bar / 5 bar	3 bar / 5 bar	3 bar / 5 bar
Water capacity/ Объем воды/ Su kapasitesi	155 l/min / 200 l/min	310 l/min / 400 l/min	620 l/min / 800 l/min	1550 l/min / 2000 l/min
k-factor/ к-фактор/ k-faktörü	89	178	358	895
Foam expansion ratio approx*/ Прибл. коэффициент кратности пены*/ Köpük genleşme oranı yaklaşık*	40:1	40:1	40:1	40:1
Dimensions A/ Размеры A/ Boyut A	710 mm	710 mm	830 mm	830 mm
Dimensions B/ Размеры B/ Boyut B	240 mm	240 mm	380 mm	380 mm
Connection/ Тип соединения/ Bağlantı	50 DIN PN16 or 2" ANSI 150 lbs	50 DIN PN16 or 2" ANSI 150 lbs	65 DIN PN16 or 2.1/2" ANSI 150 lbs	80 DIN PN16 or 3" ANSI 150 lbs
Weight/ Вес/ Ağırlık	10 kg	10 kg	15 kg	18 kg
Range of jet/ Дальность струи / Atış menzili	3-5 m	3-5 m	3-5 m	3-5 m
Material body/ Материал корпуса/ Gövde Malzemesi	Stainless steel / Нержавеющая сталь / Paslanmaz Çelik			
Material nozzle/ Материал насадки/ Nozul Malzemesi	Brass / Латунь / Pirinç			
Material flange/ Материал фланца/ Flanş Malzemesi	Galvanized steel / Оцинкованная сталь / Galvanize çelik			

*Depending on foam concentrate type / Зависит от типа пенообразователя / Köpük konsantre tipine bağlı

1 bar = 0.1 MPa - 14.5 psi

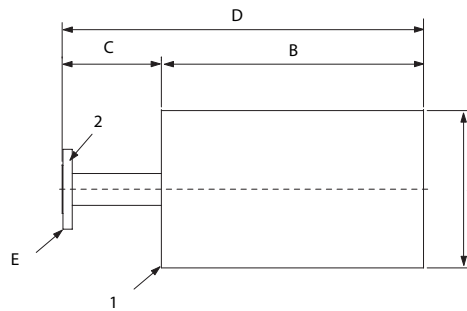
PART NO.

Description	Part No.
MRM-50 ANSI 200L	102105163
MRM-50 ANSI 400L	102105261
MRM-65 ANSI 800L	102106215
MRM-80 ANSI 2000L	102108217

FOAM GENERATORS - LOW & MEDIUM EXPANSION

MEDIUM EXPANSION FOAM GENERATOR, MODEL MEF

- R ГЕНЕРАТОРЫ ПЕНЫ - НИЗКОЙ И СРЕДНЕЙ КРАТНОСТИ, ГЕНЕРАТОР ПЕНЫ СРЕДНЕЙ КРАТНОСТИ, МОДЕЛЬ MEF
T KÖPÜK JENERATÖRLERİ – DÜŞÜK VE ORTA GENLEŞME, ORTA GENLEŞMELİ KÖPÜK JENERATÖRÜ , MODEL MEF



Model MEF										
Art. Nr.	A	B	C	D	E	Flow@5 Bar	Expansion Rate*	K-Factor	Kg	
	mm	mm	mm	mm	PN16 DN	Расход Ақш L/min	Кратность пены Genleşme Oranı*	К-фактор K-Faktörü		
MEF-2	200	350	170	520	50 2"	208	50-100	93	5.5	
MEF-3	200	350	170	520	50 2"	324	50-100	146	5.5	
MEF-4	250	400	170	570	50 2"	429	50-100	191	7.5	
MEF-5	250	400	170	570	50 2"	507	50-100	226	7.5	
MEF-6	300	500	170	670	50 2"	636	50-100	284	11	
MEF-8	300	500	170	670	50 2"	831	50-100	371	11	

* **Note:** Expansion ratio depends on foam type used/Примечание: Коэффициент кратности зависит от типа используемого пенообразователя/
 Not: Genleşme oranı kullanılan köpük tipine bağlıdır

Parts List/Список деталей/Parça Listesi		
Nr.	Description Описание Tanım	Material Материал Malzeme
1	Body and Internal Parts/Корпус и внутренние детали/Gövde ve Dahili Parçalar	AISI 304
2	Connection/Тип соединения/Bağlantı*	ASTM A 105 Carbon Steel/Углеродистая сталь/Karbon Çelik

*Flange type also available in ANSI 150#/Фланцы также имеются в исполнении ANSI 150#/Flanş tipi ayrıca ANSI 150# olarak da mevcuttur

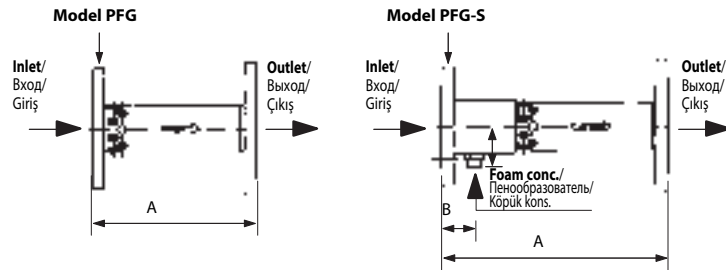
FOAM GENERATORS - LOW & MEDIUM EXPANSION

HIGH BACK PRESSURE FOAM GENERATOR, MODEL PFG/PFG-S

- R** ГЕНЕРАТОРЫ ПЕНЫ - НИЗКОЙ И СРЕДНЕЙ КРАТНОСТИ, ГЕНЕРАТОР ПЕНЫ С ВЫСОКИМ ПРОТИВОДАВЛЕНИЕМ, МОДЕЛЬ PFG
- T** KÖPÜK JENERATÖRLERİ – DÜŞÜK VE ORTA GENLEŞME, YÜKSEK GERİ BASINÇLI KÖPÜK JENERATÖRLERİ MODEL PFG/PFG-S



PFG AND PFG-S



Performance Data PFG/PFG-S

PFG	50/80	50/80 S	80/100	80/100 S	100/150	100/150 S
Solution capacity/ Общая производительность/ Solution capacity	100-750 l/min 27-198 USGPM		750-1400 l/min 198-370 USGPM		1400-2400 l/min 370-634 USGPM	
Dimensions A/ Размеры A/ Boyut A	208 mm	275 mm	278 mm	355 mm	352 mm	475 mm
Dimensions B/ Размеры B/ Boyut B		40 mm		60 mm		69 mm
Dimensions C/ Размеры C/ Boyut C		42 mm		52 mm		63 mm
Connection, inlet/ Соединение, ввод/ Bağlantı, giriş	50 DIN PN16 or 2" ANSI 150 lbs		80 DIN PN16 or 3" ANSI 150 lbs		100 DIN PN16 or 4" ANSI 150 lbs	
Connection, outlet/ Соединение, вывод/ Bağlantı, çıkış	80 DIN PN16 or 3" ANSI 150 lbs		100 DIN PN16 or 4" ANSI 150 lbs		150 DIN PN16 or 6" ANSI 150 lbs	
Connection, foam concentrate/ Тип соединения и тип подачи пенообразователя/Bağlantı, köpük konsantresi		Male 3/4" BSP		Male 1" BSP		Male 1" BSP
Induction, foam concentrate/ Процент дозирования пенообразователя/ Endüksiyon, köpük konsantresi		Max 6%		Max 6%		Max 6%
Foam expansion ratio/ Коэффициент кратности пены/ Köpük genleşme	Approx. 3:1*					
Maximum counter pressure/ Максимальное противодействие/ Azami geri tepme basıncı	40% of inlet pressure					
Working pressure range/ Диапазон рабочего давления/ Çalışma basınç aralığı	6 bar / 87 psi to 16 bar / 232 psi					
Material body/ Материал корпуса/ Gövde Malzemesi	Bronze / Бронза / Bronz					
Material nozzle/diffuser/ Материал насадки/диффузора/ Nozul Malzemesi /difüzör	Polypropylene/Полипропилен/Polipropilen					
Material flange/ Материал фланца/ Flanş Malzemesi	Primer and red 2-component painted steel/Загрунтованная и окрашенная 2-х компонентной краской сталь / Astar üstü kırmızı ı 2 bileşenli boyalı çelik					
Weight/ Вес/ Ağırlık	10 kg	11 kg	14 kg	16 kg	22 kg	25 kg

*Depending on foam concentrate type / Зависит от типа пенообразователя / Köpük konsantre tipine bağlı olarak

Capacity, flow, pressure and foam induction (-S) to be specified upon order.

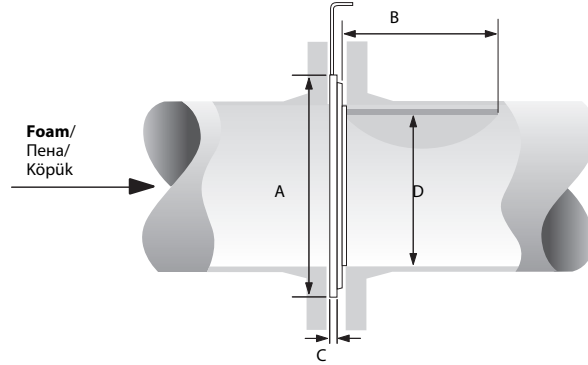
1 bar = 0.1 MPa - 14.5 psi

FOAM GENERATORS - LOW & MEDIUM EXPANSION FOAM SEALING MEMBRANE, MODEL SM

- ГЕНЕРАТОРЫ ПЕНЫ - НИЗКОЙ И СРЕДНЕЙ КРАТНОСТИ
УПЛОТНИТЕЛЬНАЯ МЕМБРАНА, МОДЕЛЬ SM
- KÖPÜK JENERATÖRLERİ – DÜŞÜK VE ORTA GENLEŞMELİ
KÖPÜK SIZDIRMAZLIK ZARI, MODEL SM



SM



Performance Data / Эксплуатационные параметры / Performans Verileri

SM	100	150	200	250	300
Art. Nr.	146110148	146115135	146120115	146125032	146130030
Max. back pressure/ Макс. противодействие/ Maks. geri basınç	6 bar	6 bar	4 bar	3 bar	3 bar
Min. required opening pressure (add static tank pressure for minimum required foam supply pressure)/ Мин. требуемое давление открытия (добавить статическое давление резервуара для требуемого мин. давления подачи пены)/ Min. gerekli açılma basıncı (İstenen min. köpük basıncı için statik tank basıncını ekleyiniz)	0.4 bar	0.25 bar	0.2 bar	0.2 bar	0.4 bar
Fitting flanges DN PN16/ Установочные фланцы DN PN16/ Fiting flanşları DN PN16	100	150	200	250	300
Fitting flanges ANSI 150 lbs/ Установочные фланцы ANSI 150 фунтов/ Fiting flanşları ANSI 150 lbs	4"	6"	8"	10"	12"
Dimensions (mm) A (outside diam.)/ Размеры (мм) А (внешний диам.)/ Boyutlar (mm) A (dış çap)	162	220	275	328	376
Dimensions (mm) B (min. free length inside pipe)/ Размеры (мм) В (мин. свободная длина внутри трубы)/ Boyutlar (mm) B (boru içinde min. serbest uzunluk)	100	150	200	250	300
Dimensions (mm) C (excl. gaskets)/ Размеры (мм) С (без прокладок)/ Boyutlar (mm) C (contalar hariç)	13	14	15.5	19	20
Dimensions (mm) D (min. allowed pipe diam.)/ Размеры (мм) D (мин. допустимый диам. трубы)/ Boyutlar (mm) D (izin verilen min. boru çapı)	101	152	201	252	300
Weight/ Вес/ Ağırlık	1.0	2.0	3.7	6.3	9.6
Material body/ Материал корпуса/ Gövde Malzemesi	Stainless steel / Нержавеющая сталь / Paslanmaz Çelik /				
Material gate/ Материал затвора/ Geçiş Malzemesi	Stainless steel / Нержавеющая сталь / Paslanmaz Çelik /				
Material membrane/ Материал мембраны/ Zar Malzemesi	PFTE				

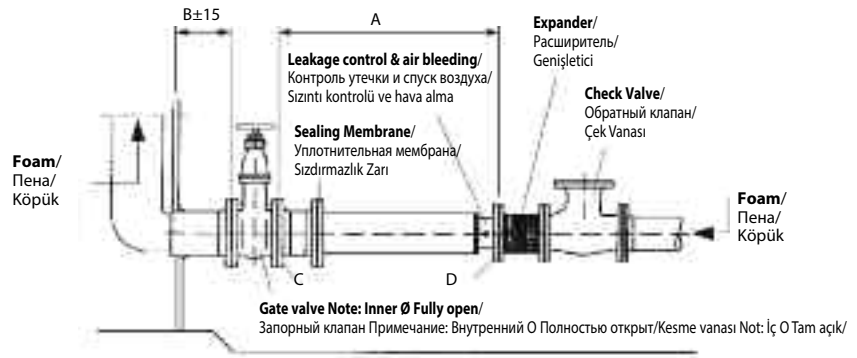
1 bar = 0.1 MPa - 14.5 psi

FOAM GENERATORS - LOW & MEDIUM EXPANSION SEMI-SUBSURFACE FOAM INJECTION DEVICE, MODEL HSSS

- R** ГЕНЕРАТОРЫ ПЕНЫ - НИЗКОЙ И СРЕДНЕЙ КРАТНОСТИ
УСТРОЙСТВО ПОДАЧИ ПЕНЫ ДЛЯ ПОЛУПОДСЛОЙНОГО ТУШЕНИЯ, МОДЕЛЬ HSSS
- T** KÖPÜK JENERATÖRLERİ – DÜŞÜK VE ORTA GENLEŞMELİ GENİŞLEME
TAVAN UYGULAMALI KÖPÜK ENJEKSİYON CİHAZI, MODEL HSSS



HSSS



Typical installation arrangement at tank base/Typische Montageanordnung an Tankboden/Tank tabanında tipik kurulum yerleşimi

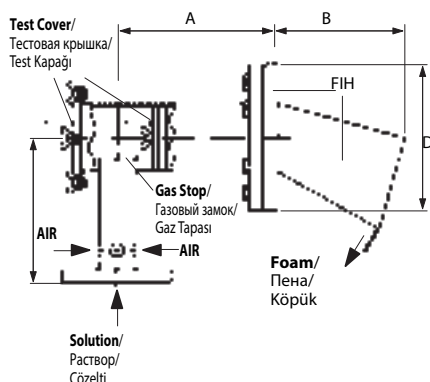
Performance Data / Эксплуатационные параметры / Performans Verileri

HSSS	80/100	100/150	150/200
Art. Nr.	DIN - 10 mtr 147208104 ANSI - 10 mtr 147208207 For change of hose length +/-1m specify qty	DIN - 10 mtr 147210106 ANSI - 10 mtr 147210209 For change of hose length +/-1m specify qty	DIN - 10 mtr 147215114 ANSI - 10 mtr 147215212 For change of hose length +/-1m specify qty
Water capacity, max./ Объем воды, макс./ Su kapasitesi, azm.	750 l/pm 198 USGPM	1400 l/pm 370 USGPM	2500 l/pm 660 USGPM
Height of tank, max./ Высота резервуара, макс./ Tank yüksekliği, azm.	13 m	20 m	28 m
Minimum required opening pressure/ Требуемое минимальное давление открытия/ Gereken asgari açılma basıncı	0.4 bar / 5.8 psi	0.2 bar / 2.9 psi	0.2 bar / 2.9 psi
Maximum back pressure/ Максимальное обратное давление/ Azami geri tepme basıncı	6 bar	6 bar	6 bar
Dimensions A/ Размеры A/ Boyut A	805 mm	960 mm	1110 mm
Dimensions B/ Размеры B/ Boyut B	490 mm	510 mm	530 mm
Connection inlet D/ Подключение ввода D/ Giriş bağlantısı D	80 DIN PN10/16 or 3" ANSI 150 lbs	100 DIN PN10/16 or 4" ANSI 150 lbs	150 DIN PN10/16 or 6" ANSI 150 lbs
Connection outlet C/ Подключение вывода C/ Çıkış Bağlantısı C	100 DIN PN10/16 or 4" ANSI 150 lbs	150 DIN PN10/16 or 6" ANSI 150 lbs	200 DIN PN10/16 or 8" ANSI 150 lbs
Max. working pressure/ Макс. рабочее давление/ Maks. çalışma basıncı	6 bar / 87 psi	6 bar / 87 psi	6 bar / 87 psi
Weight/ Вес/ Ağırlık	28 kg	47 kg	70 kg
Material hose container/ Материал контейнера рукава/ Malzeme hortum muhafazası	Stainless steel / Нержавеющая сталь / Paslanmaz Çelik		
Material hose/ Материал рукава/ Hortum Malzemesi	Nylon (polyamid) / Нейлон (полиамид) / Naylon (polyamit)		
Material foam sealing membrane/ Материал уплотнительной мембраны/ Köpük membran malzemesi	Stainless steel/PFTE / Нержавеющая сталь/Тефлон / Paslanmaz Çelik/PFTE		
distance (C)/ расстояние/ mesafe (C)	Galvanized steel / Оцинкованная сталь / Galvanize çelik		
Material flanges/ Материал фланцев/ Flanş Malzemesi	Galvanized steel / Оцинкованная сталь / Galvanize çelik		

1 bar = 0.1 MPa - 14.5 psi

FOAM GENERATORS - LOW & MEDIUM EXPANSION OVER THE TOP FOAM GENERATOR (FOAM CHAMBER), MODEL OFG

- R** ГЕНЕРАТОРЫ ПЕНЫ - НИЗКОЙ И СРЕДНЕЙ КРАТНОСТИ
УСТАНОВЛИВАЕМЫЙ СВЕРХУ ГЕНЕРАТОР ПЕНЫ (ПЕННАЯ КАМЕРА), МОДЕЛЬ OFG
- T** KÖPÜK JENERATÖRLERİ – DÜŞÜK VE ORTA GENLEŞME
TANK ÜSTÜ KÖPÜK ÜRETİCİSİ (KÖPÜK ODASI), MODEL OFG



Performance Data / Эксплуатационные параметры / Performans Verileri

OFG	50	100
Complete OFG T/FIH	1413C05123	1413C10126
OFG-T GS DIN/ANSI	141305123	141310126
FIH DIN	141210106	141215104
MOUNT. Details fzb	141210809	141215808
Dimensions A/ Размеры A/ Boyut A	230 mm	300 mm
Dimensions B/ Размеры B/ Boyut B	200 mm	250 mm
Dimensions C/ Размеры C/ Boyut C	212 mm	320 mm
Dimensions D/ Размеры D/ Boyut D	221 mm	286 mm
Solution capacity/ Объем раствора/ Çözelti kapasitesi	Up to 700 l/min 700-3000 l/min	Up to 185 USGPM 185-792 USGPM
Weight/ Вес/ Ağırlık	20 kg	32 kg
Connection: OFG/ Тип соединения: OFG/ Bağlantı: OFG	50 DIN PN16 and 2" ANSI 150 lbs	100 DIN PN16 and 4" ANSI 150 lbs
Connection: FIH/ Тип соединения: FIH/ Bağlantı: FIH	To fit 100 DIN PN16	FIH 150 DIN PN16 and 6" ANSI 150 lbs
Expansion ratio/ Коэффициент расширения/ Genleşme oranı	Up to 4:1*	
Material OFG body/ Материал корпуса OFG/ Malzeme OFG gövdesi	Stainless steel / Нержавеющая сталь / Paslanmaz Çelik	
Material OFG internals/ Материал внутренних деталей OFG/ Malzeme OFG iç aksamlar	Bronze/Stainless steel / Bronze/Нержавеющая сталь / Bronz/Paslanmaz çelik	
Material OFG flange/ Материал фланца OFG/ Malzeme OFG flanş	Galvanized steel / Оцинкованная сталь / Galvanize çelik	
Material FIH body/ Материал корпуса FIH/ Malzeme FIH gövdesi	Stainless steel / Нержавеющая сталь / Paslanmaz Çelik	
Material FIH flange/ Материал фланца FIH/ Malzeme FIH flanş	Steel / Сталь / Çelik	
Working pressure range/ Диапазон рабочего давления/ Çalışma basınç aralığı	4-16 bar / 58-232 psi	

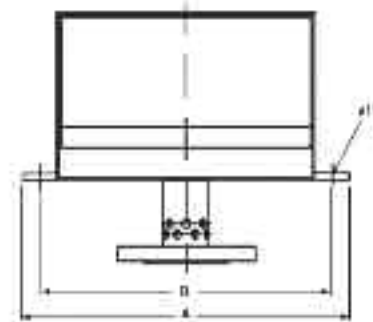
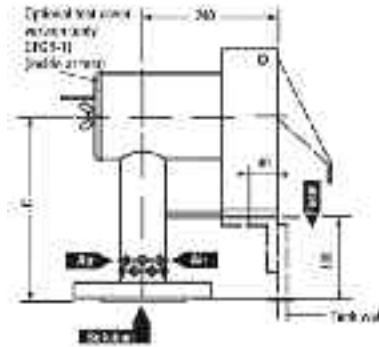
*Depending on foam concentrate type / Зависит от типа пенообразователя / Köpük konsantre tipine bağlı

FOAM GENERATORS - LOW & MEDIUM EXPANSION OVER THE TOP FOAM GENERATOR MODEL OFGR

- R** ГЕНЕРАТОРЫ ПЕНЫ - НИЗКОЙ И СРЕДНЕЙ КРАТНОСТИ
УСТАНОВЛИВАЕМЫЙ СВЕРХУ ГЕНЕРАТОР ПЕНЫ (ПЕННАЯ КАМЕРА), МОДЕЛЬ OFGR
- T** KÖPÜK JENERATÖRLERİ – DÜŞÜK VE ORTA GENLEŞME
TANK ÜSTÜ KÖPÜK JENERATÖRÜ, MODEL OFGR



OFGR



Performance Data / Эксплуатационные параметры / Performans Verileri

OFGR	50 50T	100
Solution capacity/ Объем раствора/ Çözültü kapasitesi	Up to 700 l/min Up to 185 USGPM	700-3000 l/min 185-792 USGPM
Weight/ Вес/ Ağırlık	13 kg / 29 lbs 14 kg / 31 lbs	21 kg / 46 lbs 22 kg / 49 lbs
Connection Тип соединения/ Bağlantı	50 DIN PN16 and 2" ANSI 150 lbs	100 DIN PN16 and 4" ANSI 150 lbs
Dimension Размеры/ Boyut	A 430 B 390 C 255	580 540 320
Working pressure/ Рабочее давление/ Çalışma basıncı	4-16 bar / 58-232 psi	
Expansion ratio/ Коэффициент расширения/ Genleşme oranı	Up to 4:1*	
Material	Body	Stainless steel / Нержавеющая сталь / Paslanmaz Çelik
	Flange	Galvanized steel / Оцинкованная сталь / Galvanize çelik

*Depending on foam concentrate type / Зависит от типа пенообразователя / Köpük konsantre tipine bağlı

1 bar = 0.1 MPa - 14.5 psi

ORDER INFORMATION

Description	Part No.	FACTORY INITIAL	TFR	RUSSIAN STATE FIRE AGENCY
OFGR-50 DIN/ANSI	141005354	✓	✓	✓
OFGR-50 T DIN/ANSI	141005305	✓	✓	✓
OFGR-100 DIN/ANSI	141010412	✓	✓	✓
OFGR-100 T DIN/ANSI	141010405	✓	✓	✓

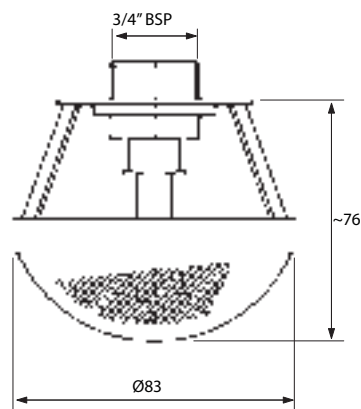
T = Foam Test Outlet

FOAM GENERATORS, LOW & MEDIUM EXPANSION LOW EXPANSION FOAM SPRINKLER, MODEL SPR-6

- R** ДРЕНЧЕРНЫЙ ОРОСИТЕЛЬ ДЛЯ ПЕНЫ НИЗКОЙ КРАТНОСТИ,
МОДЕЛЬ SPR-6
- T** KÖPÜK JENERATÖRLERİ CİLER, DÜŞÜK VE ORTA GENİŞLEME
DÜŞÜK GENLEŞMELİ İ KÖPÜK SPRINKLERİ, MODEL SPR-6



SPR-6



Performance Data / Эксплуатационные параметры / Performans Verileri

SPR-6	
Art. Nr.	108102107
Flow at inlet 2.5 bar / Расход на входе при 2,5 барах/ 2,5 bar girişte akış hızı	60 l/m
Flow can be calculated as / Расход может быть рассчитан следующим образом / Akış şu şekilde hesaplanabilir:	$Q = \sqrt{P} \times 38$
Foam expansion factor, approx. / Прибл. коэффициент кратности пены / Köpük genleşme faktörü, yaklaşık	12:1*
Connection / Тип соединения / Bağlantı	Male 3/4" BSP
Material basket / Материал корзины / File Malzemesi	Stainless steel / Нержавеющая сталь / Paslanmaz Çelik
Material nozzle / Материал оросителя / Nozul Malzemesi	Bronze / Бронза / Bronz
Weight / Вес / Ağırlık	0.15 kg

*Depending on foam concentrate type / Зависит от типа пенообразователя / Köpük konsantre tipine bağlı

1 bar = 0.1 MPa - 14.5 psi

FOAM GENERATORS, LOW & MEDIUM EXPANSION. FOAM WATER SPRINKLERS, PENDENT & UPRIGHT, MODEL B-1

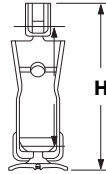
- R** ГЕНЕРАТОРЫ ПЕНЫ НИЗКОЙ И СРЕДНЕЙ КРАТНОСТИ. ПЕННЫЕ СПРИНКЛЕРЫ РОЗЕТКОЙ ВНИЗ И РОЗЕТКОЙ ВВЕРХ, МОДЕЛЬ В-1
- T** KÖPÜK JENERATÖRLERİ , DÜŞÜK VE ORTA GENLEŞME KÖPÜKLÜ SU SPRİNKLERLERİ, AŞAĞI & YUKARI BAKAN, MODEL B-1



B1

TFP840

Kg 0.550 kg



K=40 [3.0] • 1/2" NPT • H=148 mm [5-13/16"]		
Art. Nr. Pendent Розеткой вниз Аşağı Bakan	F	√
492111001	1	√
F72535	1	

K=20 [1.4] • 1/2" NPT • H=148 mm [5-13/16"]		
Art. Nr. Pendent Розеткой вниз Аşağı Bakan	F	
F72536	1	

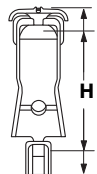
K=80 [5.6] • 1/2" NPT • H=148 mm [5-13/16"]		
Art. Nr. Pendent Розеткой вниз Аşağı Bakan	F	
100274	1	



B1

Kg TFP840

Kg 0.550 kg



K=40 [3.0] • 1/2" NPT • H=148 mm [5-13/16"]		
Art. Nr. Upright Розеткой вверх Yukarı Bakan	F	√
492101001	1	√

9

Foam Hardware, Proportioners & Inductors

R Оборудование пенообразования, дозирующие устройства и дозаторы

T Köpük Donanımı, Oranlayıcıları ve İndüktörleri

Stationary Inline Inductor, Model MI-25>65

Стационарный линейный дозатор, модель MI-25>65
Sabit hat tipi İndüktör, Model MI-25>65



P. 9.027

Stationary Inline Inductor, Model MI-80>150

Стационарный линейный дозатор, модель MI-80>150
Sabit hat tipi İndüktör, Model MI-80>150



P. 9.028

Around-the-Pump Inductor, Model PI

Дозатор системы "вокруг насоса", модель PI
Pompa Etrafında İndüktör, Model PI



P. 9.029

Foam Wafer Inductor Model IL

Торцевой дозатор пены, модель IL
Köpük Su İndüktörü Model IL



P. 9.030

Ansul Threaded Proportioner

Резьбовое дозирующее устройство Ansul
Ansul Dişli Oranlayıcı



P. 9.031

Bladder Tank Between Flanged Proportioners

Фланцевые дозирующие устройства бака-дозатора
Flanşlı Oranlayıcılar Arasında Diyaframlı Tank



P. 9.032

Balanced Pressure Proportioner Model PP Mk2

Дозирующее устройство уравновешенного давления, модель PP Mk2
Basıncı Dengelenmiş Oranlayıcı Model PP MK2



P. 9.033

Bladder Tank Proportioner Model TP Mk2

Дозирующее устройство бака-дозатора, модель TP Mk2
Diyaframlı Tank Oranlayıcı Model TP Mk2



P. 9.034

Balanced Pressure Proportioner Model PPW MK2

Дозирующее устройство уравновешенного давления, модель PPW MK2
Basıncı Dengelenmiş Oranlayıcı Model PPW MK2



P. 9.035

Bladder Tank Proportioner Model TPW Mk2

Дозирующее устройство бака-дозатора, модель TPW MK2
Diyaframlı Tank Oranlayıcı Model TPW Mk2



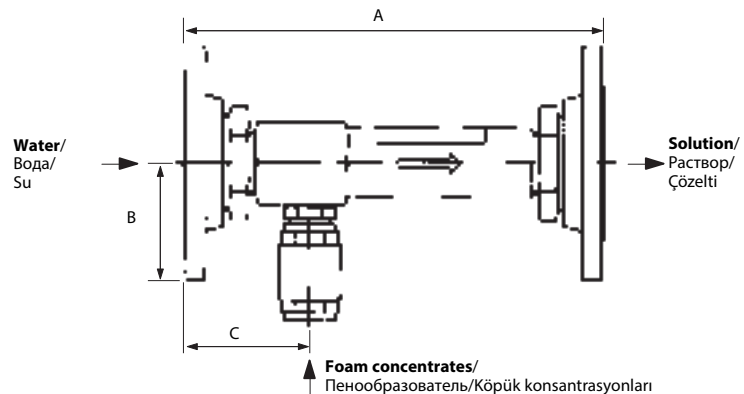
P. 9.036

FOAM HARDWARE, PROPORTIONERS & INDUCTORS

STATIONARY INLINE INDUCTOR, MODEL MI-25>65

R ОБОРУДОВАНИЕ ПЕНООБРАЗОВАНИЯ, ДОЗИРУЮЩИЕ УСТРОЙСТВА И ДОЗАТОРЫ
СТАЦИОНАРНЫЙ ЛИНЕЙНЫЙ ДОЗАТОР, МОДЕЛЬ MI-25>65

T KÖPÜK DONANIMI, ORANLAYICILARI VE İNDÜKTÖRLERİ – SABİT HAT TİPİ İNDÜKTÖR, MODEL MI-25>65



Technical Data / Технические данные / Teknik Veriler

	MI-25	MI-25/40	MI-40	MI-50	MI-65
Total capacity/ Общая производительность/ Toplam kapasite	400 l/min	400 l/min	1450 l/min	1450 l/min	1450 l/min
Connection: water/ Подключение: вода/ Bağlantı: su	Male 1" BSP	40 DIN PN16 or 1.1/2" ANSI 150 lbs	Female 1.1/2"	40 DIN PN16 or 1.1/2" ANSI 150 lbs	65 DIN PN16 or 2.1/2" ANSI 150 lbs
Connection: foam conc./ Подключение: пенообразователь/ Bağlantı: köpük kons.	Female 1/2" BSP	Female 1/2" BSP	Female 1" BSP	Female 1" BSP	Female 1" BSP
Weight/ Вес/ Ağırlık	2.6 kg	7 kg	5.5 kg	10.5 kg	13 kg
Material body/ Материал корпуса/ Gövde Malzemesi	Brass / Латунь / Pirinç	Brass / Латунь / Pirinç	Brass / Латунь / Pirinç	Brass / Латунь / Pirinç	Brass / Латунь / Pirinç
Material flange/ Материал фланца/ Flanş Malzemesi		Galvanized steel / Оцинкованная сталь / Galvanize çelik		Galvanized steel / Оцинкованная сталь / Galvanize çelik	Galvanized steel / Оцинкованная сталь / Galvanize çelik
Included/ Включено в объём поставки/ Dahil	Foam conc. check valve / Обратный клапан линии подачи пенообразователя / Köpük kons. çek vanası				
Optional/ Дополнительно/ Opsiyonel	Foam conc. suction hose / Всасывающий шланг пенообразователя / Köpük kons. emme hortumu				
Dimensions approx. A / Прибл. размеры A / Boyutlar yaklaşık A	163	215	218 mm	330 mm	330 mm
Dimensions approx. B / Прибл. размеры B / Boyutlar yaklaşık B	100	100	123 mm	123 mm	123 mm
Dimensions approx. C / Прибл. размеры C / Boyutlar yaklaşık C	30	60	43 mm	100 mm	100 mm

1 bar = 0.1 MPa - 14.5 psi

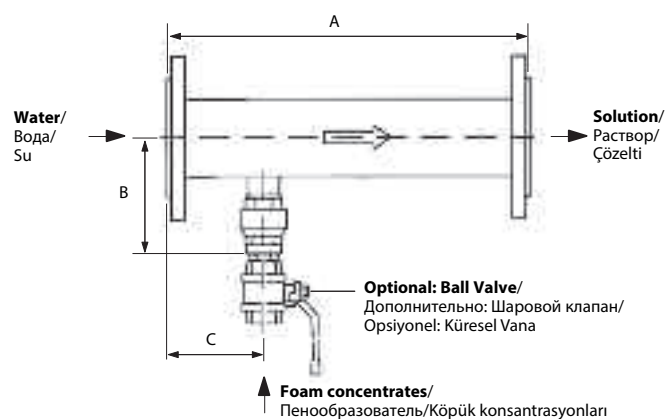
Order information / Информация для заказа / Sipariş bilgisi

PART NO.	DESCRIPTION	PART NO.	DESCRIPTION
MI-25 F	121102505	MI-50 F DIN	121304107
MI-25 F 3% och 6%	121102422	MI-50 F DIN 3-6%	121304110
MI-25/40 F DIN	121102519	MI-50 F ANSI	121304205
MI-25/40 F ANSI	121102630	MI-50 F ANSI 3-6%	121304207
MI-25/50 F DIN	121102533		
MI-25/50 F ANSI	121102637	MI-65 F DIN	121304114
MI-25/F 2" BSP Male	121102512	MI-65 F DIN 3-6%	121304128
MI-25/P, c/w suctionhose & tube, 1/2", 1,5m	121102402	MI-65 F ANSI	121304212
		MI-65 F ANSI 3-6%	121304226
MI-40 F BSP	121304100		
MI-40 F DIN	121304103	MI-25 Suction hose FC/V Foamvalve 1/2" 1,5 m	121802305
MI-40 F DIN 3-6%	121304105	MI-25 Suction hose w Tube FC/T 1/2" 1,5 m	121802181
MI-40 F ANSI	121304201	MI-40 Suction hose FC 1" 1,5 m	121804059
MI-40 F ANSI 3-6%	121304204	MI-40 Suction hose w Tube FC/T 1" 1,5 m	121804024
MI-40 P FC/T 1" 1,5m	121304082	MI-40-65 Suction hose FC/V Foamvalve 1" 1,5 m	121804307

FOAM HARDWARE, PROPORTIONERS & INDUCTORS

STATIONARY INLINE INDUCTOR, MODEL MI-80>150

- ОБОРУДОВАНИЕ ПЕНООБРАЗОВАНИЯ, ДОЗИРУЮЩИЕ УСТРОЙСТВА И ДОЗАТОРЫ
СТАЦИОНАРНЫЙ ЛИНЕЙНЫЙ ДОЗАТОР, МОДЕЛЬ MI-80>150
- KÖPÜKLÜ SİSTEM EKİPMANLARI, ORANLAYICILARI VE İNDÜKTÖRLERİ
SABİT HAT TİPİ İNDÜKTÖR, MODEL MI-80>150



Technical Data / Технические данные / Teknik Veriler

	MI-80 F	MI-100 F	MI-150 F
Total capacity at 16 bar / Производительность при 16 барах/ 16 bar'da toplam kapasite	Max. 2600 l/min 686 USGPM	Max. 5000 l/min 1320 USGPM	Max. 12000 l/min 3170 USGPM
Connection water / Подключение воды/ Su bağlantısı	80 DIN PN16 or 3" ANSI 150 lbs	100 DIN PN16 and fit for 4" ANSI 150 lbs	150 DIN PN16 and fit for 6" ANSI 150 lbs
Connection foam / Подключение: пенообразователь/ Köpük bağlantısı köpük	Female 1" BSP 156 l/min	Female 1.1/4" BSP 300 l/min	Female 2" BSP 720 l/min
Dimensions approx. A / Прибл. размеры A / Boyutlar yaklaşık A	312 mm	490 mm	565 mm
Dimensions approx. B / Прибл. размеры B / Boyutlar yaklaşık B	145 mm	157 mm	203 mm
Dimensions approx. C / Прибл. размеры C / Boyutlar yaklaşık C	84 mm	130 mm	136 mm
Weight / Вес/ Ağırlık	10 kg	19 kg	28 kg
Material body / Материал корпуса/ Gövde Malzemesi	Stainless steel / Нержавеющая сталь / Paslanmaz Çelik		
Material nozzle and diffuser / Материал насадки и диффузора/ Difüzör ve nzul malzemesi	Polypropylene / Полипропилен / Polipropilen		
Material flange / Материал фланца/ Flanş Malzemesi	Galvanized steel / Оцинкованная сталь / Polipropilen		
Material foam conc. check valve / Материал запорного клапана концентрата пенообразователя/ Köpük kons. Çek vana malzemesi	Brass / Латунь / Pirinç		

1 bar = 0.1 MPa - 14.5 psi

Foam concentrate check valve included / Обратный клапан линии подачи пенообразователя прилагается / Köpük konsantresi çek vanası dahil

Optional: foam concentrate shut-off ball valve (V) / Дополнительно: шаровой запорный клапан пенообразователя (V) / Opsiyonel: köpük konsantresi kapama küresel vanası (V)

Order information / Информация для заказа / Sipariş bilgisi

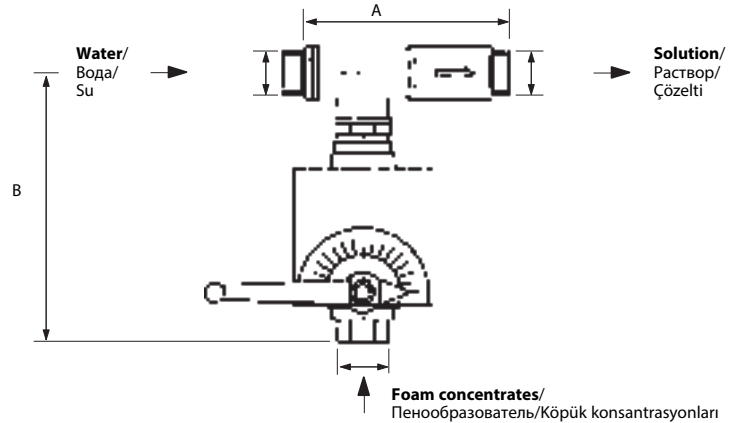
PART NO.	DESCRIPTION
MI-80 F DIN 1" BSP	121708149
MI-80 F V DIN 1"	121708156
MI-80 F V DIN 1" BSP 3-6%	121708170
MI-80 F ANSI 1" BSP	121708244
MI-80 F V ANSI 1" BSP	121708251
MI-80 F V ANSI 1" BSP 3-6%	121708265
MI-100 F DIN/ANSI 1 1/4" BSP	121710048
MI-100 F V DIN/ANSI 1 1/4" BSP	121710055
MI-150 F DIN/ANSI 2" BSP	121715446
MI-150 F V DIN/ANSI 2" BSP	121715453

FOAM HARDWARE, PROPORTIONERS & INDUCTORS AROUND THE PUMP INDUCTOR, MODEL PI

- ОБОРУДОВАНИЕ ПЕНООБРАЗОВАНИЯ, ДОЗИРУЮЩИЕ УСТРОЙСТВА И ДОЗАТОРЫ
ДОЗАТОР СИСТЕМЫ ВОКРУГ НАСОСА, МОДЕЛЬ PI
- KÖPÜKLÜ SİSTEM EKİPMANLARI ORANLAYICILARI VE İNDÜKTÖRLERİ
POMPA ETRAFINDAKİ İNDÜKTÖR, MODEL PI



PI



Technical Data / Технические данные / Teknik Veriler

	PI-25	PI-65	PI-100
Max. counter pressure / Макс. противодействие / Maks. geri basınç	0.5 bar 7.2 psi	0.5 bar 7.2 psi	0.5 bar 7.2 psi
Max. working pressure / Макс. рабочее давление / Maks. çalışma basıncı	16 bar 232 psi	16 bar 232 psi	16 bar 232 psi
Connection: water / Подключение: вода / Bağlantı: su	Male 1" BSP	65 DIN PN16 or 2.1/2" ANSI 150 lbs	100 DIN PN16 or 4" ANSI 150 lbs
Connection foam conc. / Подключение: пенообразователь / Bağlantı köpük kons.	Female 1" BSP	Female 2" BSP or Male 2" NPT	80 DIN PN16 or 3" ANSI 150 lbs
Weight / Вес / Ağırlık	3 kg	14 kg	45 kg
Material body / Материал корпуса / Gövde Malzemesi	Stainless steel / Нержавеющая сталь / Paslanmaz Çelik	Stainless steel / Нержавеющая сталь / Paslanmaz Çelik	Stainless steel / Нержавеющая сталь / Paslanmaz Çelik
Material inductor / Материал дозатора / İndüktör Malzemesi	Brass / Латунь / Laiton		
Dimensions approx. A / Прибл. размеры A / Boyutlar yaklaşık A	180	250	490±5
Dimensions approx. B / Прибл. размеры B / Boyutlar yaklaşık B	230	310	482±5
Material nozzle and diffuser / Материал насадки и диффузора / Difüzör ve nozul malzemesi		Polypropylene / Полипропилен / Polipropilen	Polypropylene / Полипропилен / Polipropilen
Material foam conc. check valve / Материал обратного клапана для пенообразователя / Köpü kons. Çek vana malzemesi	Brass / Латунь / Laiton		
Material valve, check valve / Материал клапана, запорный клапан / Çek vana malzemesi		Brass / Латунь / Pirinç	Brass / Латунь / Pirinç
Material flange / Материал фланца / Falnş Malzemesi		Galvanized steel / Оцинкованная сталь / Galvanize çelik	Galvanized steel / Оцинкованная сталь / Galvanize çelik
Art. Nr.	PI-25 122102105	PI-65 DIN 122106106 PI-65 ANSI 122106203	PI-100 DIN 122210123 PI-100 ANSI 122210172

Fixed Foam System Hardware, Foam Wafer Inductor Model IL

R Фиксированное оборудование системы пенного пожаротушения, торцевой дозатор пены, модель IL

T Sabit Köpük Sistemi Donanımı, Köpük Wafer İndüktör Model IL

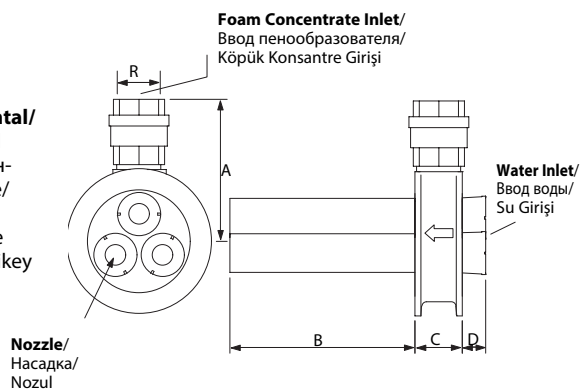


IL

Body: Bronze
Корпус: Бронза
Gövde: Bronz

Mounting: Horizontal/
Vertical
Крепление: Горизонтальное/
Вертикальное

Montaj: Yatay/Dikey



Model IL without Balancing Valve/Модель IL без уравнивающего клапана/Dengeleme Vanası olmadan Model IL

Art. Nr.	DN	Fmax @ 7 Bar Макс. расход при 7 барах Fmax @ 7 Bar [l/min]	P max [bar]	Nr. of Nozzles Кол-во насадок Nozul Sayısı	Foam Inlet Ввод пенообразователя Köpük Girişi	Length	A	C	D	P Drop Потеря давления P Damla %	Suction Height Высота всасывания Emme Yüksekliği max [m]	Kg
						mm	mm	mm	mm			
ZF40	40	317	16	1	1/2"BSP	225	35	/		35	3.0	3
ZF50	50	476	16	1	3/4"BSP	275	38	/		35	3.0	4
ZF65	65	1058	16	1	1"BSP	380	45	/		35	3.0	7
ZF80	80	1320	16	1	1"BSP	405	153	52	12	35	3.0	9
ZF100	100	2645	16	1	1"1/2 BSP	415	186	58	12	35	3.0	11
ZF150	150	5290	16	2	2"BSP	450	226	70	46	35	3.0	21
ZF200	200	7940	16	3	2"1/2 BSP	485	282	85	46	35	3.0	40
ZF200S	200	13230	16	5	3"BSP	485	282	85	46	35	3.0	46

*Other mixing [1-6%] and for ARC foam available on request/

*Другие проценты дозирования [1-6%] и для пенообразователей ARC доступны по запросу/

*Diğer karışımlar [%1-6] ve ARC köpük için istek üzerine temin edilebilmektedir

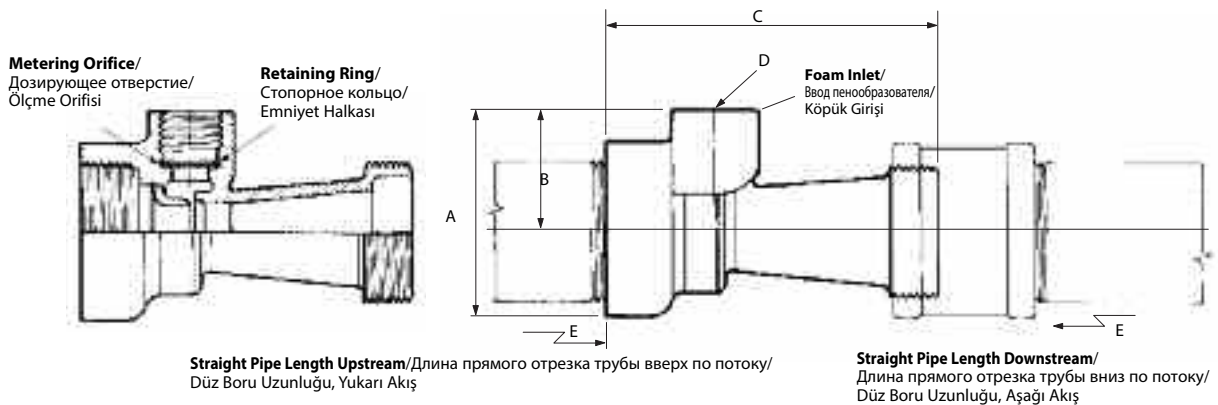
FOAM HARDWARE, PROPORTIONERS & INDUCTORS

ANSUL THREADED PROPORTIONER

- R** ОБОРУДОВАНИЕ ПЕНООБРАЗОВАНИЯ, ДОЗИРУЮЩИЕ УСТРОЙСТВА И ДОЗАТОРЫ РЕЗЬБОВОЕ ДОЗИРУЮЩЕЕ УСТРОЙСТВО ANSUL
- T** KÖPÜKLÜ SİSTEM EKİPMANLARI, ORANLAYICILARI VE İNDÜKTÖRLERİ ANSUL DİŞLİ ORANLAYICI



PROP. THR.



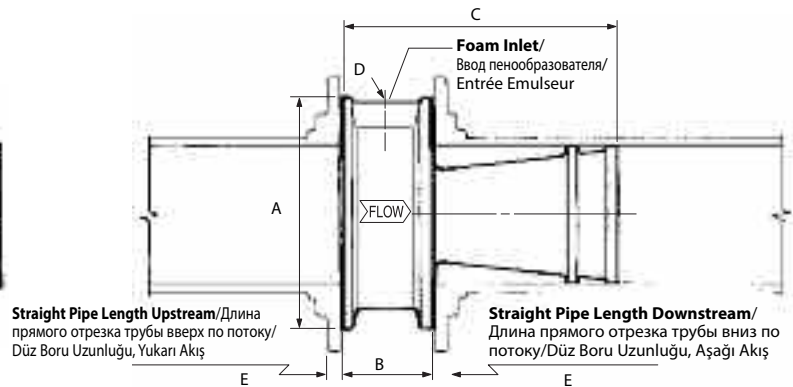
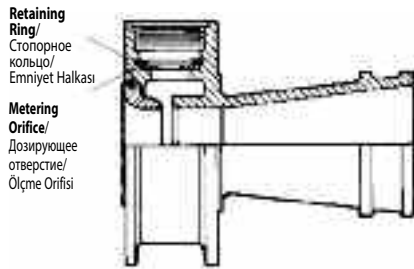
Concentrate Пенообразователь Konsantrasyon	2" ≡ FM		2.1/2" ≡ FM	
	Art. Nr.		Art. Nr.	
1% AFFF	71877	✓	71897	✓
3% AFFF	71878	✓ ✓	71898	✓ ✓
3% AFFF [Freeze Protected]/[C защитой от замерзания]/[Donma Korumalı]	71879	✓	71899	✓
3% Alcohol resistant AFFF/Устойчивость к воздействию спиртов/ полярных жидкостей/Alkole dayanıklı ARC	71880	✓ ✓	71900	✓ ✓
6% AFFF	71881	✓	71901	✓
6% Alcohol Resistant AFFF/Устойчивость к воздействию спиртов/ полярных жидкостей/Alkole dayanıklı ARC	71883	✓ ✓	71903	✓ ✓
3% Protein/Белок/Protein	71884	✓	71904	✓
3% Fluoprotein/Флавопротеин/Fluoprotein	71888	✓	71908	✓
3% Fluoprotein [Low Temperature]/Флавопротеин [низкая температура]/Fluoprotein [Düşük Sıcaklık]	71889		71909	
6% Fluoprotein [Low Temperature]/Флавопротеин [низкая температура]/Fluoprotein [Düşük Sıcaklık]	71891		71911	
2 3/4% JET-X	71894	✓	71913	✓

Proportioner Size Ø Размер Ø дозирующего устройства Oranlayıcı Boyutu Ø	AFFF/FP/FFFP	ARC	A	B	C	D	E	Kg
	l/min	l/min	mm	mm	mm		mm	
2"NPT	114-1136	440-1136	100	62	231	1"NPT	250	3.6
2.1/2"NPT	132-1514	550-1514	108	63	175	1"NPT	300	3.6

FOAM HARDWARE, PROPORTIONERS & INDUCTORS

FIXED FOAM HARDWARE, BLADDER TANK BETWEEN FLANGED PROPORTIONERS

- R** ОБОРУДОВАНИЕ ПЕНООБРАЗОВАНИЯ, ДОЗИРУЮЩИЕ УСТРОЙСТВА И ДОЗАТОРЫ
ФИКСИРОВАННОЕ ОБОРУДОВАНИЕ ПЕНООБРАЗОВАНИЯ, БАК-ДОЗАТОР И ФЛАНЦЕВЫЕ УСТРОЙСТВА ДОЗИРОВАНИЯ
- T** KÖRÜKLÜ SİSTEM EKİPMANLARI , ORANLAYICILARI VE İNDÜKTÖRLERİ
SABİT KÖRÜK DONATIMI, DİYAFRAMLI TANK, FLANŞ ARASI ORANLAYICILAR



Concentrate Пенообразователь Konsantrasyon	3"		4"		6"		8"	
	Art. Nr.	FM	Art. Nr.	FM	Art. Nr.	FM	Art. Nr.	FM
1% AFFF	70800	✓	69350	✓	69370	✓	69390	✓
3% AFFF	70801	✓ ✓	69351	✓ ✓	69371	✓ ✓	69391	✓ ✓
3% AFFF [Freeze Protected]/(С защитой от замерзания)/(Donma Korumalı)	70802	✓	69352	✓	69372	✓	69392	✓
3% Alcohol resistant AFFF/Устойчивость к воздействию спиртов/ полярных жидкостей /Alkole dayanıklı ARC	70803	✓ ✓	69353	✓ ✓	69373	✓ ✓	69393	✓ ✓
6% AFFF	70804	✓	69354	✓	69374	✓	69394	✓
6% Alcohol Resistant AFFF/Устойчивость к воздействию спиртов/ полярных жидкостей /Alkole dayanıklı ARC	70806	✓	69356	✓	69376	✓ ✓	69396	✓ ✓
3% Protein/Белок/Protein	70807	✓	69357	✓	69377	✓	69397	✓
3% Fluoprotein/Флавопротеин/Fluoprotein	70811	✓	69361	✓	69381	✓	69401	✓
3% Fluoprotein [Low Temperature]/Флавопротеин [низкая температура]/Fluoprotein [Düşük Sıcaklık]	70812		69362		69382		69402	
6% Fluoprotein [Low Temperature]/Флавопротеин [низкая температура]/Fluoprotein [Düşük Sıcaklık]	70814		69364		69384		69404	
2.3/4% JET-X	70816	✓	69366	✓	69386	✓	69406	✓
0.5% SILV-EX	70818							

Proportioner Size Ø Размер Ø дозирующего устройства Oranlayıcı Boyutu Ø	AFFF. FP. FFFP	ARC	A	B	C	D	E	kg
	l/min	l/min	mm	mm	mm		mm	
3"	265-3028	650-3028	135	64	152	1.1/4" NPT	380	4.5
4"	757-6057	950-6057	173	65	203	1.1/2" NPT	510	9.1
6"	1136-12870	1700-12870	218	83	305	2" NPT	760	18.1
8"	1892-20819	5600-20819	279	90	305	2.1/2" NPT	1020	31.7

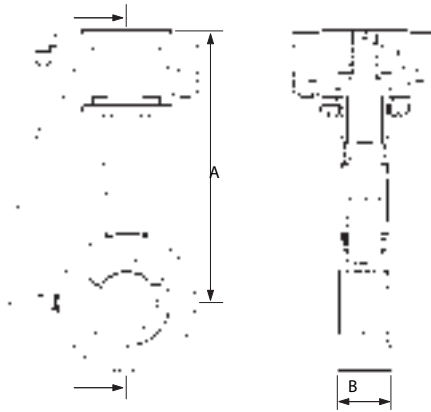
FOAM HARDWARE, PROPORTIONERS & INDUCTORS

BALANCED PRESSURE PROPORTIONER, MODEL PP MK2

- **ОБОРУДОВАНИЕ ПЕНООБРАЗОВАНИЯ, ДОЗИРУЮЩИЕ УСТРОЙСТВА И ДОЗАТОРЫ**
ДОЗИРУЮЩЕЕ УСТРОЙСТВО УРАВНОВЕШЕННОГО ДАВЛЕНИЯ, МОДЕЛЬ PP MK2
- **KÖRÜKLÜ SİSTEM EKİPMANLARI, ORANLAYICILARI VE İNDÜKTÖRLERİ**
BASINÇ DENGELİ ORANLAYICI, MODEL PP MK2



PP



Performance Data PP Proportioners / Эксплуатационные параметры устройств дозирования / Performans Verisi PP Oranlayıcıları

	PP-50	PP-80	PP-100	PP-150	PP-200	PP-250
Connection foam / Подключение: пенообразователь / Körük bağlantısı	3/4" BSP	3/4" BSP	1½" BSP female and grooved 50 (2")	1½" BSP female and grooved 50 (2")	50/2"	80 / 3"
Connection water / Подключение воды / Su bağlantısı	50 / 2"	80 / 3"	100 / 4"	150 / 6"	200 / 8"	250 / 10"
Capacity min. / Производительность мин. / Min. kapasite	125 l/min 33 USGPM	300 l/min 79 USGPM	770 l/min 203 USGPM	1500 l/min 396 USGPM	2875 l/min 760 USGPM	5100 l/min 1347 USGPM
Capacity max.* / Производительность макс.* / Maks. kapasite*	800 l/min 211 USGPM	2000 l/min 528 USGPM	6000 l/min 1585 USGPM	12000 l/min 3170 USGPM	22750 l/min 6001 USGPM	34100 l/min 9009 USGPM
Proportioner k-factor / К-фактор устройства дозирования / Oranlayıcı k-faktörü	450	1110	4550	7070	17255	27060
Weight / Вес / Ağırlık	6 kg	10 kg	18 kg	21 kg	43 kg	53 kg
Max. working pressure / Макс. рабочее давление / Maks. çalışma basıncı	16 bar 235	16 bar 235	16 bar 235	16 bar 235	16 bar 235	16 bar 235
Material / Материал / Malzeme	Bronze (Cu88Sn12)	Bronze (Cu88Sn12)	Bronze (Cu88Sn12)	Bronze (Cu88Sn12)	Bronze (Cu88Sn12)	Bronze (Cu88Sn12)
Dimensions A/B / Размеры A/B/ Boyut A/B	200mm/37mm	220mm/37mm	312mm/62mm	333mm/62mm	411mm/82mm	439mm/82mm

*At proportioner system pressure drop 1.5 bar / На устройстве дозирования падение давления системы составляет 1,5 бара / Oranlayıcı sistemi basınç düşüşü 1,5 barda
Q l/min. : $\sqrt{P \text{ bar}} = k\text{-factor}$
1 bar = 0.1 MPa - 14.5 psi

Order information / Информация для заказа / Sipariş bilgisi

PART NO.	DESCRIPTION	PART NO.	DESCRIPTION
PP-50	123005111	PP-200 ANSI 3%	123320207A
PP-80	123008108	PP-200 ANSI 2%	123320207E
PP-100 DIN/ANSI 3%	123310102A	PP-200 ANSI 1%	123320207B
PP-100 DIN/ANSI 2%	123310102E	PP-200 ANSI 6%	123320207J
PP-100 DIN/ANSI 1%	123310102B	PP-200 DIN 3%	123325104A
PP-100 DIN/ANSI 6%	123310102J	PP-200 DIN 2%	123325104E
PP-150 DIN/ANSI 3%	123315105A	PP-200 DIN 1%	123325104B
PP-150 DIN/ANSI 2%	123315105E	PP-200 DIN 6%	123320104J
PP-150 DIN/ANSI 1%	123315105B	PP-250 ANSI 3%	123325206A
PP-150 DIN/ANSI 6%	123315105J	PP-250 ANSI 2%	123325206E
PP-200 DIN 3%	123320103A	PP-250 ANSI 1%	123325206B
PP-200 DIN 2%	123320103E	PP-250 ANSI 6%	123325206J
PP-200 DIN 1%	123320103B		
PP-200 DIN 6%	123320103J		

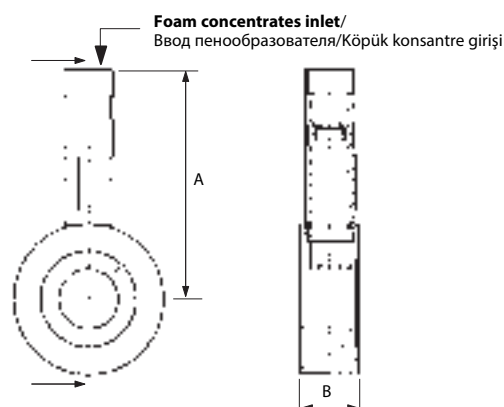
FOAM HARDWARE, PROPORTIONERS & INDUCTORS

BALANCED PRESSURE PROPORTIONER, MODEL TP MK2

- ОБОРУДОВАНИЕ ПЕНООБРАЗОВАНИЯ, ДОЗИРУЮЩИЕ УСТРОЙСТВА И ДОЗАТОРЫ
- ДОЗИРУЮЩЕЕ УСТРОЙСТВО УРАВНОВЕШЕННОГО ДАВЛЕНИЯ, МОДЕЛЬ TP MK2
- KÖPÜKLÜ SİSTEM EKİPMANLARI, ORANLAYICILARI VE İNDÜKTÖRLERİ
- BASINÇ DENGELİ ORANLAYICI, MODEL TP MK2



TP



Performance Data / Эксплуатационные параметры / Performans Verileri

	TP-50	TP-80	TP-100	TP-150	TP-200	TP-250
Connection d / Подключение d / Bağlantı d	3/4" BSP	3/4" BSP	50 / 2"	50 / 2"	80 / 3"	80 / 3"
Connection D / Подключение D / Bağlantı D	50 / 2"	80 / 3"	100 / 4"	150 / 6"	200 / 8"	250 / 10"
Capacity min. / Производительность мин. / Min. kapasite	125 l/min 33 USGPM	300 l/min 79 USGPM	770 l/min 203 USGPM	1500 l/min 396 USGPM	2875 l/min 760 USGPM	5100 l/min 1347 USGPM
Capacity max.* / Производительность макс.* / Maks. kapasite*	800 l/min 211 USGPM	2000 l/min 528 USGPM	6000 l/min 1585 USGPM	12000 l/min 3170 USGPM	22750 l/min 6001 USGPM	34100 l/min 9009 USGPM
Proportioner k-factor / К-фактор устройства дозирования / Oranlayıcı k-faktörü	300	1010	4040	7990	17255	27060
Weight / Вес / Ağırlık	6 kg	10 kg	12 kg	15 kg	32 kg	42 kg
Max. working pressure / Макс. рабочее давление / Maks. çalışma basıncı	16 bar 235	16 bar 235	16 bar 235	16 bar 235	16 bar 235	16 bar 235
Material / Материал / Malzeme	Bronze (Cu88Sn12)	Bronze (Cu88Sn12)	Bronze (Cu88Sn12)	Bronze (Cu88Sn12)	Bronze (Cu88Sn12)	Bronze (Cu88Sn12)

*At proportioner system pressure drop 1.5 bar / На устройстве дозирования падение давления системы составляет 1,5 бара / Oranlayıcı sistemi basınç düşüşü 1,5 barda
 $Q \text{ l/min.} : \sqrt{P} \text{ bar} = k\text{-factor}$
 1 bar = 0.1 MPa - 14.5 psi

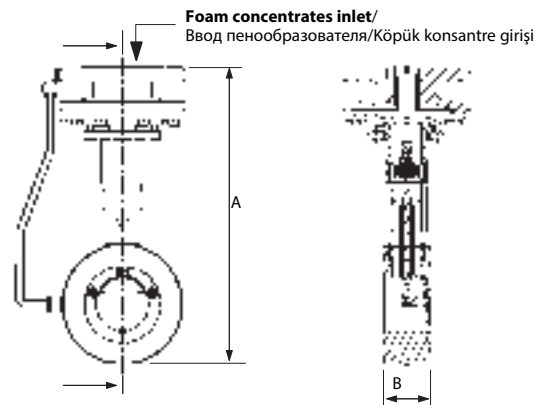
FOAM HARDWARE, PROPORTIONERS & INDUCTORS

BALANCED PRESSURE PROPORTIONER, MODEL PPW MK2

- ОБОРУДОВАНИЕ ПЕНООБРАЗОВАНИЯ, ДОЗИРУЮЩИЕ УСТРОЙСТВА И ДОЗАТОРЫ
- ДОЗИРУЮЩЕЕ УСТРОЙСТВО УРАВНОВЕШЕННОГО ДАВЛЕНИЯ, МОДЕЛЬ PPW MK2
- KÖPÜK SİSTEMİ EKİPMANLARI , ORANLAYICILARI VE İNDÜKTÖRLERİ
- BASINÇ DENGELİ ORANLAYICI, MODEL PPW MK2



PPW



Performance Data / Эксплуатационные параметры / Performans Verileri

	PPW-100	PPW-150	PPW-200
Connection foam / Подключение: пенообразователь / Köpük bağlantısı	50 / 2"	50 / 2"	50/2"
Connection water / Подключение воды / Su bağlantısı	100 / 4"	150 / 6"	200 / 8"
Capacity min. / Производительность мин. / Min. kapasite	100 l/min 26 USGPM	100 l/min 26 USGPM	175 l/min 46 USGPM
Capacity max.* / Производительность макс.* / Maks. kapasite*	5000 l/min 1321 USGPM	12000 l/min 3170 USGPM	18000 l/min 4756 USGPM
Weight / Вес/ Ağırlık	19 kg	22 kg	44 kg
Material / Материал / Malzeme	Bronze (Cu88Sn12)	Bronze (Cu88Sn12)	Bronze (Cu88Sn12)
Dimensions A/B / Размеры A/B/ Boyut A/B	312mm/62mm	333mm/62mm	393mm/82mm

*At proportioner system pressure drop 1.5 bar, min. 0.3 bar / На устройстве дозирования падение давления системы составляет 1,5 бара, мин. 0,3 бара /
Oranlayıcı sistemi basınç düşüşü 1,5 barda, min. 0,3 bar

Max. working pressure: 16 bar/235 psi / Макс. рабочее давление: 16 бар/235 фунтов на кв. дюйм / Maks. çalışma basıncı: 16 bar/235 psi
1 bar = 0.1 MPa - 14.5 psi

Order information / Информация для заказа / Sipariş bilgisi

PART NO.	DESCRIPTION	PART NO.	DESCRIPTION
PPW-100 DIN/ANSI 3%	123510103A	PPW-200 DIN 3% AFFF	123520114A
PPW-100 DIN/ANSI 3%	123510103C	PPW-200 DIN 3% AR	123520114C
PPW-100 DIN/ANSI 2%	123510103E	PPW-200 DIN 2%	123520114E
PPW-100 DIN/ANSI 1%	123510103B	PPW-200 DIN 1%	123520114B
PPW-150 DIN/ANSI 3%	123515107A	PPW-200 ANSI 3% AFFF	123520215A
PPW-150 DIN/ANSI 3%	123515107C	PPW-200 ANSI 3% AR	123520215C
PPW-150 DIN/ANSI 2%	123515107E	PPW-200 ANSI 2%	123520215E
PPW-150 DIN/ANSI 1%	123515107B	PPW-200 ANSI 1%	123520215B

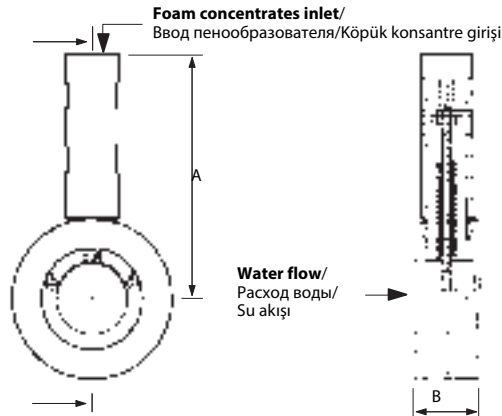
FOAM HARDWARE, PROPORTIONERS & INDUCTORS

BALANCED PRESSURE PROPORTIONER, MODEL TPW MK2

- R** ОБОРУДОВАНИЕ ПЕНООБРАЗОВАНИЯ, ДОЗИРУЮЩИЕ УСТРОЙСТВА И ДОЗАТОРЫ
- ДОЗИРУЮЩЕЕ УСТРОЙСТВО УРАВНОВЕШЕННОГО ДАВЛЕНИЯ, МОДЕЛЬ TPW MK2
- T** KÖRÜK SİSTEMİ EKİPMANLARI , ORANLAYICILARI VE İNDÜKTÖRLERİ
- BASINÇ DENGELİ ORANLAYICI, MODEL TPW MK2



TPW



Performance Data / Эксплуатационные параметры / Performans Verileri

	TPW-100	TPW-150	TPW-200
Connection d / Подключение d/ Bağlantı d	1.1/2" BSPP female thread	1.1/2" BSPP female thread	2"
Connection D / Подключение D/ Bağlantı D	4" flange DIN or ANSI	6" flange DIN or ANSI	8" flange DIN or ANSI
Capacity min. / Производительность мин. / Min. kapasite	100 l/min 26 USGPM	100 l/min 40 USGPM	175 l/min 46 USGPM
Capacity max.* / Производительность макс.* / Maks. kapasite*	5000 l/min 1320 USGPM	12000 l/min 3170 USGPM	18000 l/min 4756 USGPM
Weight / Вес/ Ağırlık	13 kg	16 kg	33 kg
Dimensions A / Размеры A/ Boyut A	239mm	260mm	337mm
Dimensions B / Размеры B/ Boyut B	62mm	62mm	82mm
Max. working pressure / Макс. рабочее давление / Maks. çalışma basıncı	16 bar 235 psi	16 bar 235 psi	16 bar 235 psi
Material / Материал / Malzeme	Bronze (Cu88Sn12)	Bronze (Cu88Sn12)	Bronze (Cu88Sn12)

*At proportioner system pressure drop 1.5 bar, min. 0.3 bar / На устройстве дозирования падение давления системы составляет 1,5 бара, мин. 0,3 бара /
Oranlayıcı sistemi basınç düşüşü 1,5 barda, min. 0,3 bar
1 bar = 0.1 MPa - 14.5 psi

Order information / Информация для заказа / Sipariş bilgisi

PART NO.	DESCRIPTION	PART NO.	DESCRIPTION
TPW-100 BSP 3% AFFF	124510005A	TPW-150 BSP 2%	124515006E
TPW-100 BSP 3% AR	124510005C	TPW-150 BSP 1%	124515006B
TPW-100 BSP 2%	124510005E	TPW-200 DIN/ANSI 3% AFFF	124520104A
TPW-100 BSP 1%	124510005B	TPW-200 DIN/ANSI 3% AR	124520104C
TPW-150 BSP 3% AFFF	124515006A	TPW-200 DIN/ANSI 2%	124520104E
TPW-150 BSP 3% AR	124515006C	TPW-200 DIN/ANSI 1%	124520104B

Foam Hardware

● Оборудование для пенного пожаротушения

● Köpük Donanımı

Bladder Tank - Horizontal, Model MTB-H

Бак-дозатор - Горизонтальный, модель MTB-H
Diyaframli Tank – Yatay, Model MTB-H



P. 9.038

Bladder Tank - Vertical, Model MTB-V

Бак-дозатор - Вертикальный, модель MTB-V
Diyaframli Tank – Dikey, Model MTB-V



P. 9.039

Ansul FM Bladder Tank, Horizontal, Model HBT

Бак-дозатор Ansul FM, горизонтальный, модель HBT
Ansul FM Diyaframli Tank, Yatay, Model HBT



P. 9.040

Ansul FM Bladder Tank, Vertical, Model VBT

Бак-дозатор Ansul FM, вертикальный, модель VBT
Ansul FM Diyaframli Tank, Dikey, Model VBT



P. 9.041

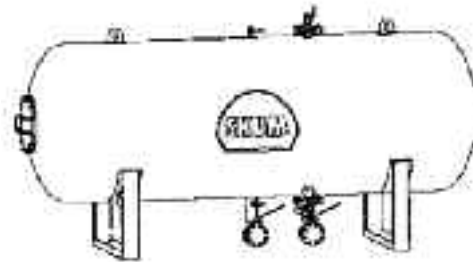
FOAM HARDWARE, BLADDER TANK, HORIZONTAL, MODEL MTB-H

R ОБОРУДОВАНИЕ ПЕННОГО ПОЖАРОТУШЕНИЯ, БАК-ДОЗАТОР, ГОРИЗОНТАЛЬНЫЙ, МОДЕЛЬ MTB-H

T KÖPÜK SİSTEMİ EKİPMANLARI , DİYAFRAMLI TANK, YATAY, MODEL MTB-H



MTB-H



Technical Data / Технические данные / Teknik Veriler

MTB-H	
Design pressure / Расчетное давление / Tasarım basıncı	12.1 bar 175 psi
Design standard / Стандарт проектирования / Tasarım standardı	PED ASME section VIII
Approvals: (optional) / Аттестация: (дополнительно) / Onaylar: (opsiyonel)	American Bureau of Shipping; Factory Mutual (for ASME tanks only) / American Bureau of Shipping; Factory Mutual (только для резервуаров ASME) / Amerika Nakliye Bürosu; FM (yalnızca ASME tankları için)
Scope of supply Standard / Обзор поставки Стандартная / Tedarik kapsamı, Standart	Standard: water / foam inlet and vent valves. Stainless steel valves at foam filling connection drain and vent, foam level hose Стандарт: клапаны подачи воды / пенообразователя и вентиляции. Клапаны из нержавеющей стали на подключении для заполнения пенообразователя, дренаже и вентиляции, шланг для индикации уровня пенообразователя / Standart: su / köpük girişi ve havalandırma vanaları Köpük doldurma bağlantısı drenajı ve havalandırmasında paslanmaz çelik vanalar, köpük seviyesi hortumu
Scope of supply Optional / Обзор поставки Дополнительная / Tedarik kapsamı, Opsiyonel	Optional: Level indicator gauge, water actuated foam valve (WAFV), fully pre-piped c/w Skum proportioner / Дополнительно: манометр-индикатор уровня, гидравлический клапан управления пенообразователем (WAFV), полностью смонтированные трубопроводы с дозирующим устройством Skum / Opsiyonel: Seviye göstegesı, su ile çalışan köpük vanası (WAFV), borulaması önceden yapılmış, Skum oranlayıcı ile birlikte
Material pressure vessel / Материал сосуда под давлением / Basınç tankı malzemesi	Carbon steel / Углеродистая сталь / Karbon Çelik
Material bladder / Материал бака-дозатора / Diyafram malzemesi	Butyl rubber / Бутилкаучук / Butil kauçuk
Material internals / Материал внутренних деталей / İç aksamların malzemesi	Stainless steel / Нержавеющая сталь Paslanmaz Çelik
Surface treatment / Обработка поверхности / Yüzey işleme	Outside - primer and red epoxy / Снаружи - грунтовка и красная эпоксидная смола / Dış astar r ve kırmızı epoksi

Technical Data / Технические данные / Teknik Veriler

Volume Объем / Hacim litres	Diameter Диаметр / Çap (mm)	Length Длина / Uzunluk (mm)	Height Высота / Yükseklik (mm)	PED Weight Вес PED / PED Ağırlığı (kg)	ASME Weight Вес ASME / ASME Ağırlığı (kg)	Connection Тип соединения / Bağlantı (kg)
400	800	1060	1350	280	330	50 DIN PN16 or 2" ANSI 150 lbs
600	800	1560	1350	340	420	
800	800	1910	1350	400	500	
1000	1100	1430	1650	480	560	
1200	1100	1630	1650	510	600	
1500	1100	1930	1650	590	680	
2000	1100	2530	1650	700	780	
2500	1400	2040	2020	960	1250	
3000	1400	2390	2020	1140	1500	
3500	1400	2690	2020	1250	1600	
4000	1400	3090	2020	1350	1800	
4500	1400	3390	2020	1550	2000	
5000	1400	3690	2020	1620	2150	
5500	1400	4090	2020	1730	2300	
6000	1400	4490	2020	1850	2500	
6500	1400	4990	2020	2000	2700	
7000	1850	3230	2470	2300	3100	
7500	1850	3430	2470	2400	3250	
8000	1850	3630	2470	2480	3400	
8500	1850	3780	2470	2550	3550	
9000	1850	3980	2470	2650	3700	
9500	1850	4180	2470	2900	4000	
10000	1850	4380	2470	3000	4100	
11000	1850	4730	2470	3150	4400	
12000	1850	5230	2470	3400	4800	

Foam Hardware, Bladder Tank, Vertical, Model MTB-V

- R** Оборудование пенного пожаротушения, бак-дозатор, вертикальный, модель MTB-V
- T** Köpüklü sistem Ekipmanları, Diyaframlı Tank, Dikey, Model MTB-V



MTB-V



Technical Data / Технические данные / Teknik Veriler

MTB-V	
Design pressure / Расчетное давление / Tasarım basıncı	12.1 bar 175 psi
Design standard / Стандарт проектирования / Tasarım standardı	PED ASME section VII
Approvals: (optional) / Аттестация: (дополнительно) / Onaylar: (opsiyonel)	American Bureau of Shipping; Factory Mutual (for ASME tanks only) / American Bureau of Shipping; Factory Mutual (только для резервуаров ASME) / Amerika Nakliye Bürosu; FM (yalnızca ASME tankları için)
Scope of supply Standard / Обзор поставки Стандартная / Tedarik kapsamı, Standart	Standard: water / foam inlet and vent valves. Stainless steel valves at foam filling connection drain and vent, foam level hose Стандарт: клапаны подачи воды / пенообразователя и вентиляции. Клапаны из нержавеющей стали на подключении для заполнения пенообразователя, дренаже и вентиляции, шланг для индикации уровня пенообразователя / Standart: su / köpük girişi ve havalandırma vanaları Köpük doldurma bağlantısı drenajı ve havalandırmasında paslanmaz çelik vanalar, köpük seviyesi hortumu
Scope of supply Optional / Обзор поставки Дополнительная / Tedarik kapsamı, Opsiyonel	Optional: Level indicator gauge, water actuated foam valve (WAFV), fully pre-piped c/w Skum proportioner / Дополнительно: манометр-индикатор уровня, гидравлический клапан управления пенообразователем (WAFV), полностью смонтированные трубопроводы с дозирующим устройством Skum / Opsiyonel: Seviye göstegesi, su ile çalışan köpük vanası (WAFV), borulaması önceden yapılmış, Skum oranlayıcı ile birlikte
Material pressure vessel / Материал сосуда под давлением / Basınç tankı malzemesi	Carbon steel / Углеродистая сталь / Karbon Çelik
Material bladder / Материал бака-дозатора / Diyafram malzemesi	Butyl rubber / Бутилкаучук / Butil kauçuk
Material internals / Материал внутренних деталей / İç aksamların malzemesi	Stainless steel / Нержавеющая сталь Paslanmaz Çelik
Surface treatment / Обработка поверхности / Yüzey işlemi	Outside - primer and red epoxy / Снаружи - грунтовка и красное эпоксидное покрытие / Dış astar ve kırmızı epoksi

Technical Data / Технические данные / Teknik Veriler

Volume Объем / Hacim litres	Diameter Диаметр / Çap (mm)	PED height Высота PED / PED uzunluğu (mm)	PED Weight Вес PED / PED Ağırlığı (kg)	ASME height Высота ASME / ASME uzunluğu (mm)	ASME Weight Вес ASME / ASME Ağırlığı (kg)	Connection Тип соединения / Bağlantı (kg)
400	800	1570	275	1530	360	50 DIN PN16 or 2" ANSI 150 lbs
600	800	2070	330	2030	450	
800	800	2420	370	2380	500	
1000	1100	1930	450	1910	600	
1200	1100	2130	500	2110	650	
1500	1100	2430	550	2410	700	
2000	1100	3030	650	3010	820	
2500	1400	2550	950	2520	1350	
3000	1400	2900	1050	2870	1500	
3500	1400	3200	1150	3170	1600	
4000	1400	3600	1250	3570	1800	80 DIN PN16 or 3" ANSI 150 lbs
4500	1400	3900	1350	3870	1900	
5000	1400	4200	1450	4170	2000	
5500	1400	4600	1550	4570	2200	
6000	1400	4900	1650	4870	2300	
6500	1400	5400	1800	5370	2500	
7000	1850	3630	2100	3600	3000	

Foam Hardware, Horizontal Bladder Tank

- R** Оборудование пенного пожаротушения, горизонтальный бак-дозатор
- T** Köpük Donanımı, Yatay Diyafram Tankı



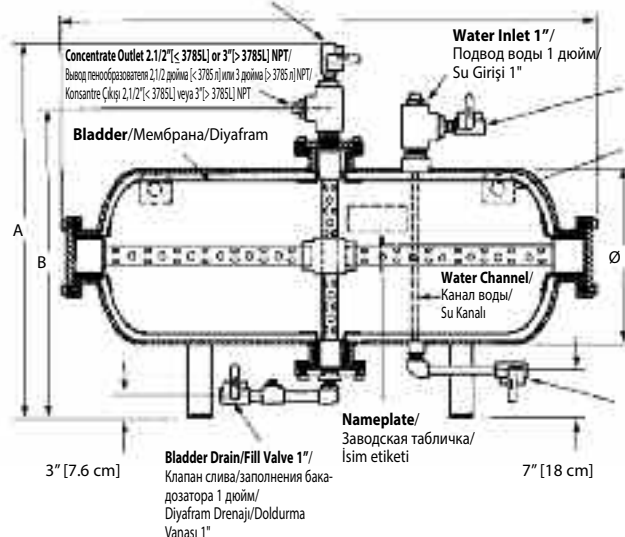
MODEL HBT

Model HBT

Art. Nr. Epoxy/Enamel Эпоксидное покрытие /Эмаль Epoksi/Emaye	Nom. Capacity Объем Anma Kapasite Ltr.	Ø mm	A mm	B mm	C mm	Kg	CE	UL	FM
70521/70522	568	760	1470	1270	1880	477	√	√	√
69092/69093	757	760	1470	1270	2310	599	√	√	√
69094/69095	1136	910	1620	1420	2440	726	√	√	√
419178/419179	1514	1220	1930	1730	1960	1043	√	√	√
419180/419181	1893	1220	1930	1730	2290	1156	√	√	√
69100/69101	2271	1220	1930	1730	2620	1270	√	√	√
69102/69103	2650	1220	1930	1730	2970	1383	√	√	√
419182/419183	3028	1220	1930	1730	3330	1474	√	√	√
419184/419185	3407	1220	1930	1730	3680	1551	√	√	√
419186/419187	3785	1220	1930	1730	4040	1633	√	√	√
71100/71101	4164	1530	2240	2030	3130	1882	√	√	√
71102/71103	4542	1530	2240	2030	3360	1982	√	√	√
71104/71105	4921	1530	2240	2030	3580	2063	√	√	√
71106/71107	5300	1530	2240	2030	3810	2159	√	√	√
71108/71109	5678	1530	2240	2030	4040	2240	√	√	√
71110/71111	6057	1530	2240	2030	4300	2327	√	√	√
71112/71113	6435	1530	2240	2030	4520	2417	√	√	√
71114/71115	6814	1530	2240	2030	4750	2499	√	√	√
71116/71117	7192	1530	2240	2030	4980	2581	√	√	√
71150/71151	7571	1830	2540	2360	3910	2735	√	√	√
71152/71153	8328	1830	2540	2360	4220	2898	√	√	√
71154/71155	9085	1830	2540	2360	4570	3070	√	√	√
71156/71157	9842	1830	2540	2360	4900	3261	√	√	√
71158/71159	10599	1830	2540	2360	5210	3392	√	√	√
71160/71161	11356	1830	2540	2360	5540	3569	√	√	√

Bladder Vent/Fill Valve 1"/

Клапан вентиляции/заполнения бака-дозатора 1 дюйм/
Diyafram Havalandırma/Doldurma Vanası 1"



Tank Shell Vent Valve 1"/

Клапан вентиляции юбки резервуара 1 дюйм/
Tank hava tahliye vanası 1"

Lifting Lug/

Проушина для подъема/
Mara

Tank Shell Drain Valve 1"/

Клапан слива юбки резервуара 1 дюйм/
Tank hava tahliye vanası 1"

Foam Hardware, Vertical Bladder Tank

- R** Оборудование пенного пожаротушения, вертикальный бак-дозатор
- T** Köpük Donanımı, Dikey Diyafram Tankı



MODEL VBT

Vertical Bladder Tank (Plan View)/Вертикальный бак-дозатор [вид сверху]/Dikey Diyafram Tankı [Plan Görünümü]

Tank Capacity Емкость резервуара Tank Kapasitesi	Ø A	B	C	D
Ltr.	mm	mm	mm	mm
190-379	610	45	495	25
568-757	760	45	602	25
1136	910	45	711	25
1514-3785	1220	57	940	25
4164-5678	1530	57	1194	25

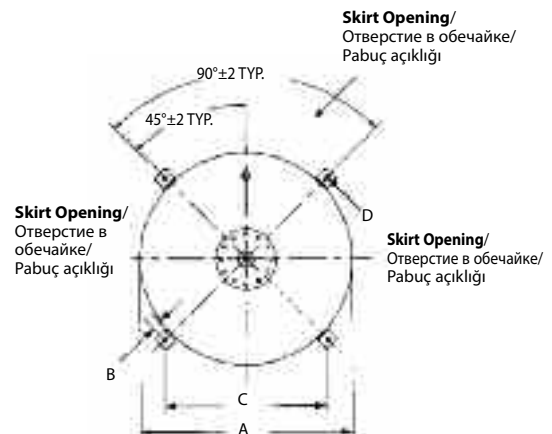
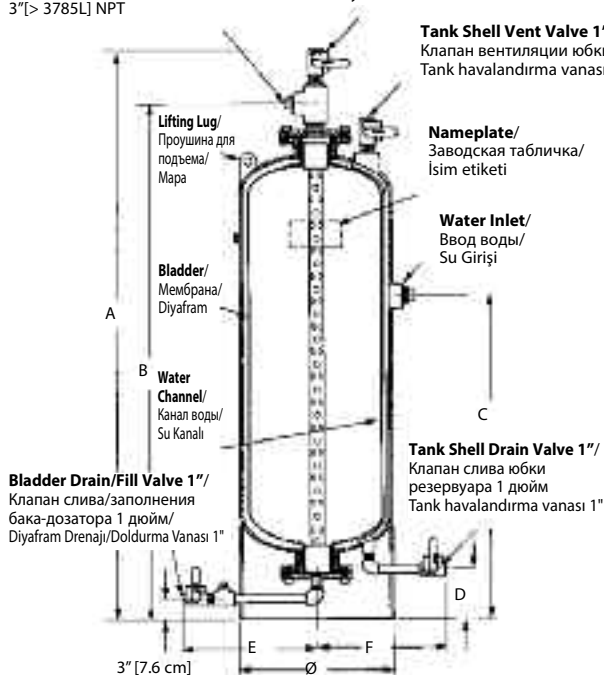
Model VBT

Art. Nr. Эпоксидное покрытие /Эмаль Epoksi/Emaye	Nom. Capacity Объем Anma Kapasite	Ø	A	B	C	D	E	F	kg	CE	UL	FM
Ltr.	mm	mm	mm	mm	mm	mm	mm	mm				
70501/70502	190	610	1630	1450	610	190	510	480	215	√	√	√
69000/69001	379	610	2290	2080	1320	220	480	480	320	√	√	√
70516/70517	568	760	2290	2080	1250	270	530	445	445	√	√	√
69002/69003	757	760	2740	2540	1730	270	560	530	585	√	√	√
69004/69005	1136	910	2840	2640	1780	270	640	610	705	√	√	√
419153/419154	1514	1220	2350	2150	1400	270	810	760	1020	√	√	√
419155/419156	1893	1220	2680	2480	1630	270	810	760	1134	√	√	√
69010/69011	2271	1220	3000	2790	1880	270	810	760	1165	√	√	√
69012/69013	2650	1220	3350	3150	2240	270	810	760	1288	√	√	√
419157/419158	3028	1220	3720	3520	2410	270	810	760	1451	√	√	√
419159/419160	3407	1220	4080	3870	2690	270	810	760	1545	√	√	√
419161/419162	3785	1220	4430	4230	2950	270	810	760	1635	√	√	√
71118/71119	4164	1530	3660	3460	2290	470	940	910	1701	√	√	√
71120/71121	4542	1530	3890	3680	2440	470	940	910	1792	√	√	√
71122/71123	4921	1530	4120	3910	2640	470	940	910	1878	√	√	√
71124/71125	5300	1530	4350	4140	2790	470	940	910	1973	√	√	√
71126/71127	5678	1530	4580	4350	2970	470	940	910	2054	√	√	√

Concentrate Outlet 2.1/2" [≤ 3785L] or 3" [> 3785L] NPT/
 Вывод пенообразователя 2,1/2 дюйма [< 3785 л] или 3 дюйма [> 3785 л] NPT/
 Konsantre Çıkışı 2,1/2" [< 3785L] veya 3" [> 3785L] NPT

Bladder Vent/Fill Valve 1" /
 Клапан вентиляции/заполнения бака-дозатора 1 дюйм/
 Diyafram Havalandırma/Doldurma Vanası 1"

Tank Shell Vent Valve 1" NPT/
 Клапан вентиляции юбки резервуара 1 дюйм NPT/
 Tank havalandırma vanası 1" NPT



Foam Hardware, Accessories, Bladder Tank Sight

- Оборудование пенного пожаротушения, принадлежности
- Köpük Donanımı, Aksesuarlar, Diyaframlı TankSeviye Göstergesi

Bladder Tank Sight Gauge & Adapter Kit

Комплект из манометра-индикатора для бака-дозатора и переходника
Diyaframlı Tank Seviye Göstergesi ve Adaptör Kiti



P. 9.043

Hydraulic valve WAFV

Гидравлический клапан WAFV
Hidrolik vana WAFV



P. 9.044

Atmospheric Tanks PE

Баки с атмосферным давлением PE
Atmosferik Tanklar PE



P. 9.045

Foam Hardware, Accessories, Bladder Tank Sight Gauge & Adapter Kit

- R** Оборудование пенного пожаротушения, принадлежности, комплект из манометра-индикатора для бака-дозатора и переходника
- T** Köpük Donanımı, Aksesuarları, Diyaframlı Tank Seviye Gösterge Cihazı ve Adaptör Kiti



Art. Nr.	Description Описание Tanım
68427-260	Sight Gauge for horizontal tanks and vertical tanks up to 1890 Litres, 2600 mm/Манометр-индикатор для горизонтальных и вертикальных баков объемом до 1890 литров, 2600 мм/1890 Litre, 2600 mm'ye kadar yatay tanklar ve dikey tanklar için Seviye Gösterge Cihazı
68427-340	Sight Gauge for vertical tanks up to 3028 Litres, 3400 mm/Манометр-индикатор для вертикальных баков объемом до 3028 литров, 3400 мм/3028 Litre, 3400 mm'ye kadar dikey tanklar için Seviye Gösterge Cihazı
68427-390	Sight Gauge for vertical tanks up to 5678 Litres, 3900 mm/Манометр-индикатор для вертикальных баков объемом до 5678 литров, 3900 мм/5678 Litre, 3900 mm'ye kadar dikey tanklar için Seviye Gösterge Cihazı

Adapter Kit/Переходник в комплекте/Adaptör Kiti	
Art. Nr.	Description Описание Tanım
KITGRVS	Grooved Adapters for Bladder Tanks < 3785 Litres/Грувлочный переходник для баков-дозаторов < 3785 литров/3785 Litreden az Diyaframlı Tanklar için Yivli Adaptörler
KITFLGS	Flanged Adapters for Bladder Tanks < 3785 Litres/Фланцевые переходники для баков-дозаторов < 3785 литров/3785 Litreden az Diyaframlı Tanklar için Flaşlı Adaptörler
KITGRVL	Grooved Adapters for Bladder Tanks > 3785 Litres/Грувлочный переходник для баков-дозаторов > 3785 литров/3785 Litreden çok Diyaframlı Tanklar için Yivli Adaptörler

***Only for UL/FM Horizontal & Vertical Bladdertanks Model HBT & VBT/**

*Только для горизонтальных и вертикальных баков-дозаторов UL/FM модели HBT и VBT/

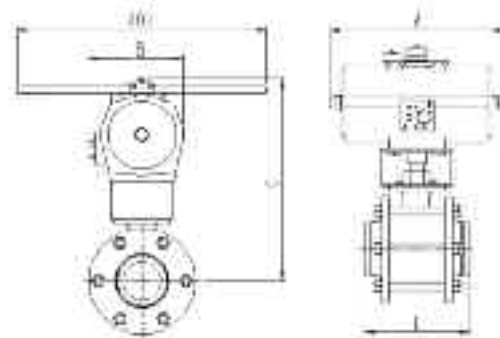
*Yatay ve Dikey Diyaframlı Tanklar Model HBT ve VBT/ Yalnızca UL/FM

Foam Hardware, Accessories, Hydraulic Concentrate Control valve WAFV

- Оборудование пенного пожаротушения, принадлежности, гидравлический клапан управления пенообразователем WAFV
- Köpük Donanımı, Aksesuarları, Hidrolik Konsantrasyon Kontrol vanası WAFV



WAFV 80 WE



ORDER INFORMATION

Description	Part No.	DW	dL	lbs
WAFV-20	BSP 127802326	✓	✓	✓
WAFV-20	WE 127802322	✓	✓	✓
WAFV-40	BSP 127804222	✓	✓	✓
WAFV-40	WE 127804218	✓	✓	✓
WAFV-50	BSP 127805222	✓	✓	✓
WAFV-50	WE 127805218	✓	✓	✓
WAFV-80	WE 127808221	✓	✓	✓

Performance Data /

Эксплуатационные параметры / Performans Verileri

WAFV-20, WAFV-40, WAFV-50, WAFV-80

Working pressure	Max. 16 bar / 232 psi
Opening pressure	Min. 2 bar / 29 psi

WE = Weld end

Performance Data / Эксплуатационные параметры / Performans Verileri

Type	Connection / Тип соединения / Bağlantı		Dimensions / Размеры / Boyutlar				Weight		Material Valve / Клапан/Vana	Actuator
	Actuator	Valve/Клапан/Vana	A mm	B mm	C mm	L mm	Bes/Ağırlık kg	lbs		
WAFV-2	BSPT 1/4" female thread	20mm / 3/4" WE or BSPP female thread	159	95	162	73	2,1	4,6	Stainless steel Herkenen çelik/Paslanmaz çelik	Aluminium
WAFV-40	BSPT 1/4" female thread	40mm / 1 1/2" WE or BSPP female thread	180	108	195	110	4,6	10,1	Stainless steel Herkenen çelik/Paslanmaz çelik	Aluminium
WAFV-50	BSPT 1/4" female thread	50mm / 2" WE or BSPP female thread	180	108	199	126	5,6	12,3	Stainless steel Herkenen çelik/Paslanmaz çelik	Aluminium
WAFV-80	BSPT 1/4" female thread	80mm / 3" WE or BSPP female thread	283	149	337	170	17,8	39,2	Stainless steel Herkenen çelik/Paslanmaz çelik	Aluminium

1 bar = 0,1 MPa=14,5 psi

Foam Hardware, Accessories, Atmospheric Foam Tanks

- R** Оборудование пенного пожаротушения, принадлежности, баки с атмосферным давлением
- T** Köpük Donanımı, Aksesuarları, Atmosferik Köpük Tankları



Body Tank:
Корпус бака:
Tank Gövdesi i:

Low Density Polyethylene, Colourless
Полиэтилен низкой плотности, бесцветный
Düşük Yoğunluklu Polietilen, Renksiz

Body Valves:
Корпус клапанов:
Gövde Vanaları:

Stainless Steel 316
Нержавеющая сталь 316
Paslanmaz Çelik 316

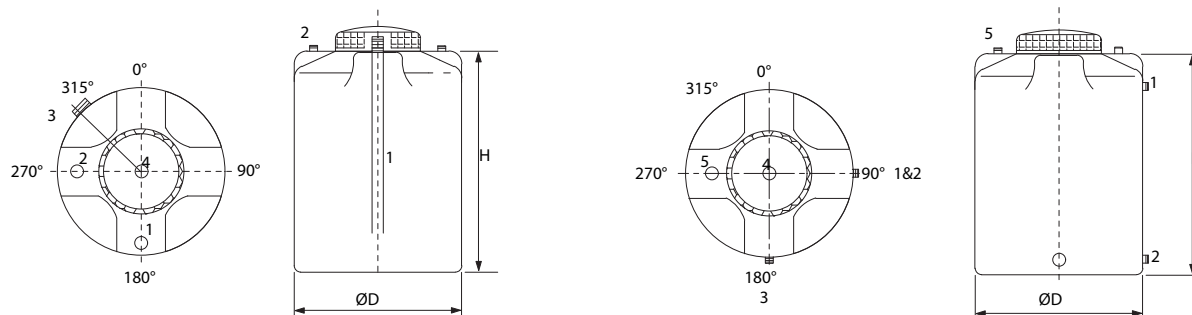
Atmospheric Foam Tank with Accessories/Бак с атмосферным давлением с принадлежностями/Atmosferik Köpük Tankı ve aksesuarları

Inductor Tank Assembly [A] Узел дозатора бака [A] İndüktör Tankı Tertibatı [A]	Pump Tank Assembly [B] Насос бака в сборе [B] Pompa Tankı Tertibatı [B]	Capacity Производительность Kapasite	Ø D	H	kg
Art. Nr.	Art. Nr.	İtrs	mm	mm	
CVC2IND	CVC2PMP	215	595	875	7
CVC3IND	CVC3PMP	310	675	995	10
CVC5IND	CVC5PMP	565	840	1240	13
CVC6IND	CVC6PMP	600	885	1105	15
CVC8IND	CVC8PMP	810	890	1435	22
CVC10IND	CVC10PMP	1000	990	1445	30
CVC15IND	CVC15PMP	1475	1110	1720	40
CVC20IND	CVC20PMP	2050	1210	1990	53
CVC25IND	CVC25PMP	2370	1310	2040	65
CVC31IND	CVC31PMP	3050	1380	2550	78
CVC35IND	CVC35PMP	3550	2250	1315	95
CVC39IND	CVC39PMP	4015	1670	2290	110
CVC50IND	CVC50PMP	5050	1580	2820	145
CVC55IND	CVC55PMP	5650	2250	1790	165
CVC60IND	CVC60PMP	6350	2000	2415	190
CVC65IND	CVC65PMP	7100	2350	2135	195
CVC71IND	CVC71PMP	7190	2250	2200	200
CVC80IND	CVC80PMP	8200	2100	3045	250
CVC99IND	CVC99PMP	10000	2100	3710	320

1": Size pick-up tube to be specified based on the foam concentrate inlet of the inductor

1 дюйм: Размер трубы отбора указывается на основании диаметра ввода пенообразователя дозатора

1": Köpük sifon boyutu indüktörün köpük konsantresi girişine göre belirlenecektir



Type A

Nr.	Description Описание Tanım
1	Pick-Up & Nipple male/Отбор и штуцер наружный/Кöpük sifonu erkek dışı
2	Nipple & Cap [DN15]/Штуцер и крышка [DN15]/Nipel ve Tapa [DN15]
3	Drain Valve [DN25]/Клапан слива [DN25]/Drenaj Vanası [DN25]
4	Vent open DN25/Клапан вентиляции DN25/Havalandırma ventili DN25

Type B

Nr.	Description Описание Tanım
1	Ball Valve [DN50]/Шаровой клапан [DN50]/Küresel Vana [DN50]
2	Inlet [DN50]/Ввод [DN50]/Giriş [DN50]
3	Drain Valve [DN25]/Клапан слива [DN25]/Drenaj Vanası [DN25]
4	Nipple & Cap [DN25]/Штуцер и крышка [DN25]/Nipel ve Tapa [DN25]
5	Vent/Клапан вентиляции/Havalandırma

Level Indicator: A litrescale is marked on tanks up to 500L capacity. It is available upon request for tanks over 500L/Индикатор уровня: Шкала в литрах нанесена для баков объемом до 500 л. Доступно по запросу для баков объемом более 500 л./Seviye Göstergesi: 500L kapasiteye kadar olan tanklarda litre ölçüğü ile şahtlenmiştir. 500L üstündeki tanklar için talep üzerine mevcuttur

Foam Hardware, Portable Equipment

® Оборудование пенообразования, переносное оборудование

™ Köpük Donanımları, Portatif Ekipmanlar

Low Expansion Foam Branchpipe, Model MLR

Лафетный ствол для пены низкой кратности, модель MLR
Düşük Genleşmeli Köpük Portatif Nozulu Model MLR



P. 9.047

Portable Fog / Jet Monitor, Model FJM-P

Переносной лафетный ствол с переключением режимов завесы и струи, модель FJM-P
Taşınabilir Fog / Jet Monitörü, Model FJM-P



P. 9.048

RAFT Rapid Response Foam Trailer

Прицеп с пенообразователем для быстрого реагирования RAFT
RAFT Acil Müdahale Köpük Treyleri



P. 9.049

KRM Medium Expansion Branchpipe

Лафетный ствол KRM для пены средней кратности
KRM Orta Genleşmeli i Manifold Bölümü



P. 9.050

KRS/M Low/Medium Expansion Branchpipe

Лафетный ствол KRS/M для пены низкой/средней кратности
KRS/M Düşük/Orta Genleşmeli Portatif Nozul



P. 9.051

Foam Hardware, Portable Equipment, Model MLR

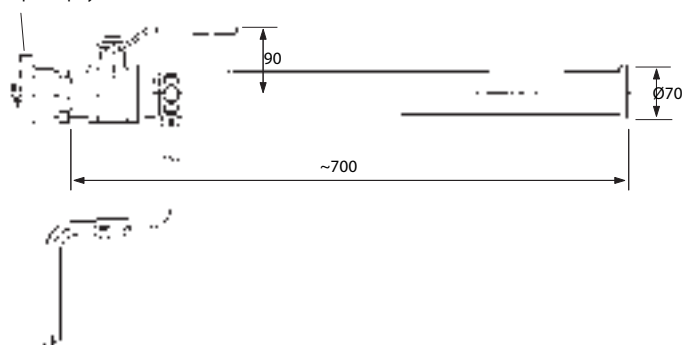
Оборудование пенообразования, переносное оборудование, модель MLR

Köpük Donanımları, Portatif Ekipmanlar, Model MLR



MLR

Hose coupling optional/
Муфта шланга, дополнительно/
Hortum kaplini opsiyonel



Performance Data / Эксплуатационные параметры / Performans Verileri

Type Тип / Tip	Water capacity Объем воды / Su kapasitesi (l/min)	Inlet pressure Давление на входе / Giriş basıncı (bar)	Foam mixing Процент дозирования / Кöpük karıştırma (%)	Reaction force Сила реакции / Теркі gücü (N)	Approx range of jet Прибл. дальность струи/ Yaklaşık köpük atım menzili (m)	Foam expansion ratio Кoeffициент кратности пены / Köpük genişleme oranı
MLR-40 A	200	5		104	22	Up to 1:15
MLR-40 A	215	3		87	21	
MLR-40 A	215	6		123	24	
MLR-40 A	400	3		161	24	
MLR-40 A	400	5		208	26	
MLR-40 A	400	6		228	28	
MLR-40 SA	200	5	3	104	22	
MLR-40 SA	200	5	6	104	23	
MLR-40 SA	215	3	3	87	21	
MLR-40 SA	215	3	6	87	21	
MLR-40 SA	215	6	3	123	24	
MLR-40 SA	215	6	6	123	24	
MLR-40 SA	400	5	3	208	26	
MLR-40 SA	400	5	6	208	26	
MLR-40 SA	400	6	3	208	28	
MLR-40 SA	400	6	6	208	28	

Order information / Информация для заказа / Sipariş bilgisi

PART NO.	DESCRIPTION	PART NO.	DESCRIPTION
MLR-40A 200 lit 5 bar	101304116	MLR-40SA 200 lit 5 bar 3%	101404119
MLR-40A 215 lit 3 bar	101304214	MLR-40SA 200 lit 5 bar 6%	101404140
MLR-40A 215 lit 6 bar	101304242	MLR-40SA 215 lit 3 bar 3%	101404221
MLR-40A 400 lit 3 bar	101304412	MLR-40SA 215 lit 3 bar 6%	101404263
MLR-40A 400 lit 5 bar	101304426	MLR-40SA 215 lit 6 bar 3%	101404242
MLR-40A 400 lit 6 bar	101304440	MLR-40SA 215 lit 6 bar 6%	101404277
		MLR-40SA 400 lit 5 bar 3%	101404423
		MLR-40SA 400 lit 5 bar 6%	101404444
		MLR-40SA 400 lit 6 bar 3%	101404465
		MLR-40SA 400 lit 6 bar 6%	101404479

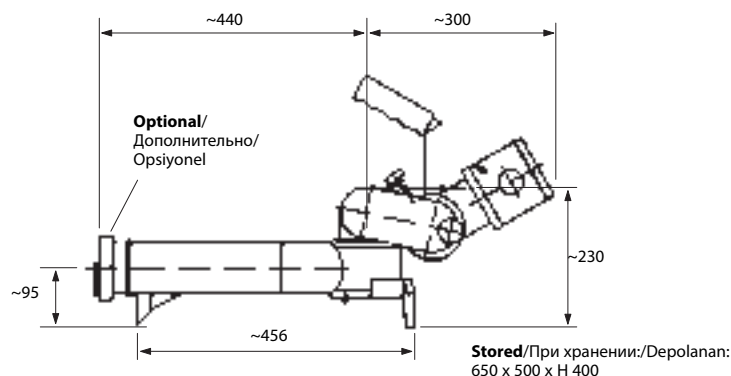
Foam Hardware, Portable Equipment, Model FJM-P & FJM-PO

🔴 Оборудование пенообразования, переносное оборудование, модель FJM-P и FJM-PO

🔵 Köpük Donanımları, Portatif Ekipmanlar, Model FJM-P ve FJM-PO



FJM-P



Performance Data / Эксплуатационные параметры / Performans Verileri

FJM-80 P	
Water capacity / Объем воды / Su kapasitesi	Up to / Вплоть до / Kadar 3000 l/min
Rotation / Вращение / Dönme açısı	220°
Elevation / Угол подъема / Yükselme açısı	+30 to +80 degrees (normal safety) / от +30 до +80 градусов (обычная безопасность)/ +30 to +80 derece (normal güvenlik)
Inlet connection / Подключение / Giriş bağlantısı	Dual 2.1/2" or single 2.1/2" or 3" BSP (must specify) Двойной 2,1/2 дюйма или одинарный 2,1/2 дюйма или 3 дюйма BSP (необходимо указать)/ Çift 2,1/2" veya tek 2,1/2" veya 3" BSP (belitilmesi gereklidir)
Material / Материал / Malzeme	Stainless steel and bronze / Нержавеющая сталь и бронза Paslanmaz çelik ve bronz
Surface treatment / Обработка поверхности / Yüzey işlemi	Primer and red 2-component paint / Загрунтованная и окрашенная 2-компонентной краской / Astar I ve kırmızı 2 bileşenli boya
Net weight, approx. / Вес нетто, прибл. / Net ağırlık, yaklaşık	11 kg
Nozzle / Насадка/ Nozul	Manually adjustable from jet to fog / Ручное переключение режимов завесы и струи / Jet ile fog arasında elle ayarlanabilir
Slide bearings / Подшипники скольжения / Rulman yatakları	Water balanced for rotation and elevation / Сбалансированное водой для вращения и подъема / Dönme ve yükselme için su ile dengelemeli

Order information / Информация для заказа / Sipariş bilgisi

PART NO.	DESCRIPTION
FJM-80 P 3" BSP	160808129
FJM-80 PO 3" BSP	160808228
FJM-80 S P 3" BSP, excl suction hose	160808325
FJM-80 S PO 3" BSP, excl suction hose	160808367
Suction hose 1 1/4" 3 mtr	161008618

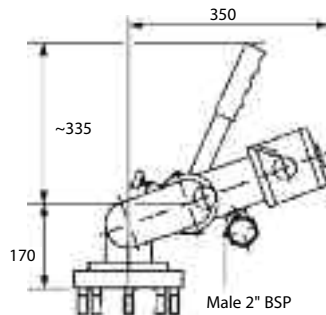
Foam Hardware, Portable Equipment, SKUM RAFT - Rapid response Foam Trailer

R Оборудование пенообразования, переносное оборудование, SKUM RAFT -
Прицеп с пенным оборудованием для быстрого реагирования

T Köpük Donanımları, Portatif Ekipmanlar, SKUM RAFT – Acil müdahale Köpük Treyleri



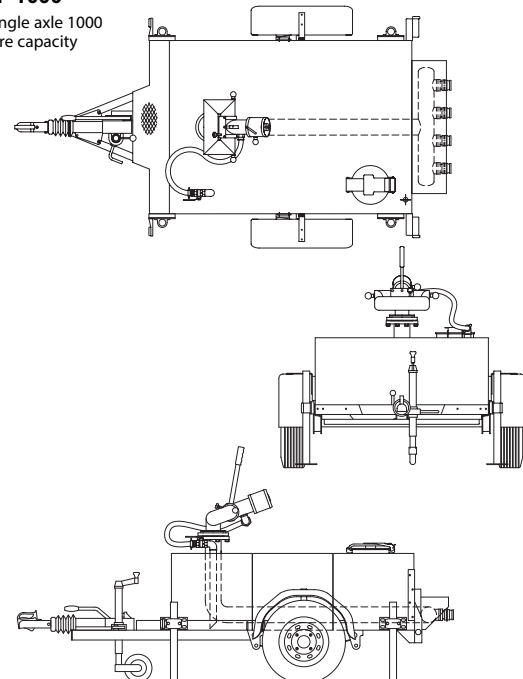
SKUM RAFT



FJM-100 S

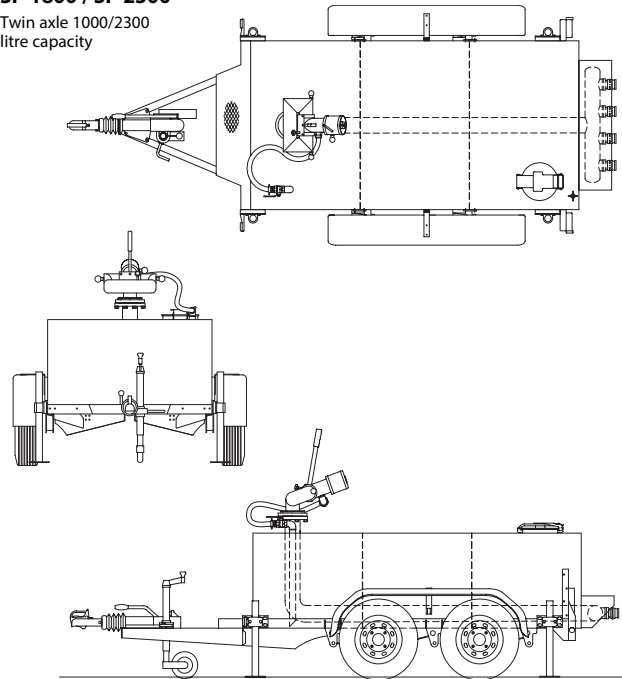
SF-1000

Single axle 1000
litre capacity



SF-1800 / SF-2300

Twin axle 1000/2300
litre capacity



Trailer dimensions

Trailer capacity	1000 litre	1800 litre	2300 litre
Height (incl. monitor)	91.6 cm	106.6 cm	121.6 cm
Width	174.5 cm	177.6 cm	177.6 cm
Length	320 cm	418 cm	418 cm
Weight Unladen	450Kg	650 Kg	670Kg
Weight Laden	1450kg (1000L)	2450 Kg	2970kg
Part No.	163910107	163910114	163910121

Technical Data

FJM-S Series Built-in inductor	80	100
Water capacity	3,700 l/min	6,000 l/min
Foam capacity	170 l/min	320 l/min
Elevation	-45° / +90°	-45° / +90°
Suction connection	1 1/2" BSP male	2" BSP male
Weight	15 kg / 33 lbs	24 kg / 53 lbs

(Note: weight may vary according to specific gravity of foam concentrate)

Full FJM-MAN datasheets are available.
Please call for details

Custom Build Your SKUM RAFT

RAFT tank capacity

- 1000 litres single axle
- 1800 litres twin axle
- 2300 litres twin axle

SKUM monitor

FJM-MAN S (self inducing)

- FJM 100S
- FJM 80S

Inductors

- Maximum of 2 inductors per trailer
- 200 or 400 litres per minute capacity
- MLR branch pipes to match chosen inductors

Sight glass

- Accurately displays tank fill level

Hose baskets

- 1000 litres -carry up to 4 hoses
- 1800 litres -carry up to 12 hoses
- 2300 litres -on application

Foam Hardware, Portable Equipment, Portable Foam Branchpipe

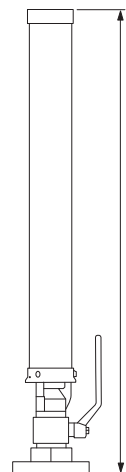
- R** Оборудование пенообразования, переносное оборудование, переносной лафетный ствол
- T** Köpük Donanımları, Portatif Ekipmanlar, Portatif Köpük nozulu



KR-S

Body: Stainless Steel
 Корпус: Нержавеющая сталь
 Gövde: Paslanmaz Çelik

Valve: Aluminium
 Клапан: Алюминий
 Vana: Alüminyum



Portable Foam Branchpipe Low Expansion/Переносной лафетный ствол подачи пены низкой кратности/Düşük genleşmeli portatif köpük nozulu model KR-S

Art. Nr.	Type Тип Tip	Flow Расход Akış L/min	Foam Expansion Ratio Кoeffициент кратности пены Кöpük Genleşme Oranı	Design Pressure Расчетное давление Tasarım Basıncı Bar	Throw approx. Выброс, пригл. Yaklaşık atma mesafesi k m	A DN	L mm	Ø mm		
824137	S2	200	1:15	5	26	50	2"BSP	760	50	4
824139	S4	400	1:15	5	30	50	2"BSP	990	70	5
824146	S8	800	1:15	5	38	65	2.1/2"BSP	990	70	5

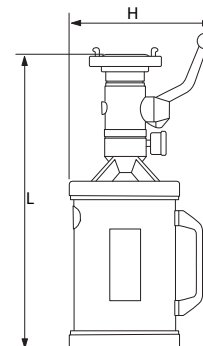


KR-M

Body: Stainless Steel
 Корпус: Нержавеющая сталь
 Gövde: Paslanmaz Çelik

Valve: Aluminium
 Клапан: Алюминий
 Vana: Alüminyum

Screen: Stainless Steel
 Экран: Нержавеющая сталь
 Ekran: Paslanmaz Çelik



Portable Foam Branchpipe Medium Expansion/Переносной лафетный ствол подачи пены средней кратности/Orta Genleşmeli portatif köpük nozulu model KR-M

Art. Nr.	Type Тип Tip	Flow Расход Akış L/min	Foam Expansion Ratio Кoeffициент кратности пены Кöpük Genleşme Oranı	Design Pressure Расчетное давление Tasarım Basıncı Bar	Throw approx. Выброс, пригл. Yaklaşık atma mesafesi k m	A DN	L mm	H mm	Ø mm		
824164	M2	200	1:50	5	8	50	2"BSP	520	290	185	3.5
824169	M4	400	1:50	5	9	50	2"BSP	610	370	260	4.1

Foam Hardware, Portable Equipment, Portable Foam Branchpipe

- R** Оборудование пенообразования, переносное оборудование, переносной лафетный ствол
- T** Köpük Donanımları, Portatif Ekipmanlar, Portatif Köpük Nozulu

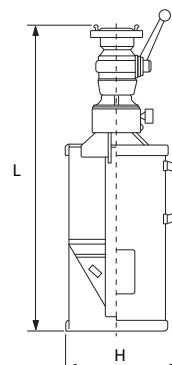


KR-SM

Body: **Stainless Steel**
 Корпус: Нержавеющая сталь
 Gövde: Paslanmaz Çelik

Valve: **Aluminium**
 Клапан: Алюминий
 Vana: Alüminyum

Screen: **Stainless Steel**
 Экран: Нержавеющая сталь
 Ekran: Paslanmaz Çelik



Portable Foam Branchpipe Low & Medium Expansion /Переносной лафетный ствол подачи пены низкой и средней кратности /Düşük ve Orta Genleşmeli Portatif Köpük Nozulu model KR-S/M

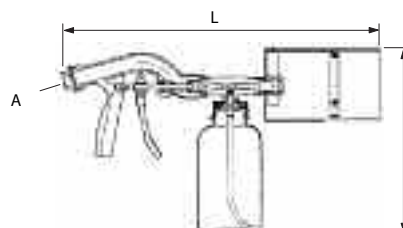
Art. Nr.	Type Тип Tir	Flow Расход Akış L/min	Foam Expansion Ratio Кoeffициент кратности пены Köpük Genleşme Oranı		Design Pressure Расчетное давление Tasarım Basıncı Bar	Throw low Выброс, низкий Atma mesafesi düşük m	Throw medium Выброс, средний Atma mesafesi orta m	A DN	L mm	D mm	
			Low	Medium							
824012	SM2	200	1:15	1:50	5	20	7	50 2"BSP	750	280	3.5
824018	SM4	400	1:15	1:50	5	27	8	50 2"BSP	800	340	4.1



KR-0390

Body: **Aluminium**
 Корпус: Aluminium
 Gövde: Alüminyum

Foam Capacity: **2 liter**
 Объем пены: 2 литра
 Köpük kapasitesi: 2 litre



Portable Foam Pistol Medium Expansion /Переносной пистолет подачи пены средней кратности /Taşınabilir Köpük Tabancası Orta Genleşmeli model KR-0390

Art. Nr.	Type Тип Tir	Flow Расход Akış L/min	Foam Solution Раствор Köpük Çözeltisi m ³	Foam type Тип пенообразователя Köpük tipi	Foam capacity Объем пенообразователя Köpük kapasitesi Ltr	Design P Расчетное давление Tasarım P Bar	Throw length Длина выброса Atma uzunluğu m	A DN	L mm	H mm	
											824161
824054	KR-090A	30 - 40	4	ARC 3X6	2	5	2 - 4	25 1"BSP	625	140	2.9

Foam Hardware, Monitors

® Оборудование пенного пожаротушения, лафетные стволы

™ Köpük Donanımı, Monitörler

Fog / Jet Monitor Electric, Model FJM-EL

Лафетный ствол с электроприводом, модель FJM-ELL

Fog / Jet Monitörü Elektrikli, Model FJM-EL



P. 9.053

Fog / Jet Monitor Manual, Model FJM-MAN

Лафетный ствол с ручным управлением, модель FJM-MAN

Fog / Jet Monitörü Manuel, Model FJM-MAN



P. 9.054

Fog / Jet Monitor Oscillating, Model FJM-WTO

Лафетный ствол осциллирующий, модель FJM-WTO

Fog / Jet Monitörü Salımlı, Model FJM-WTO



P. 9.055

Fog / Jet Monitor Hydraulic, FJM-H

Лафетный ствол гидравлический, модель FJM-H

Fog / Jet Monitörü Hidrolik, FJM-H



P. 9.056

Fog / Jet Monitor Electric FJF / SLN, Model FJM-SLN

Лафетный ствол с электроприводом, модель FJF-SLN

Fog / Jet Monitörü Elektrikli FJF / SLN, Model FJM-SLN



P. 9.057

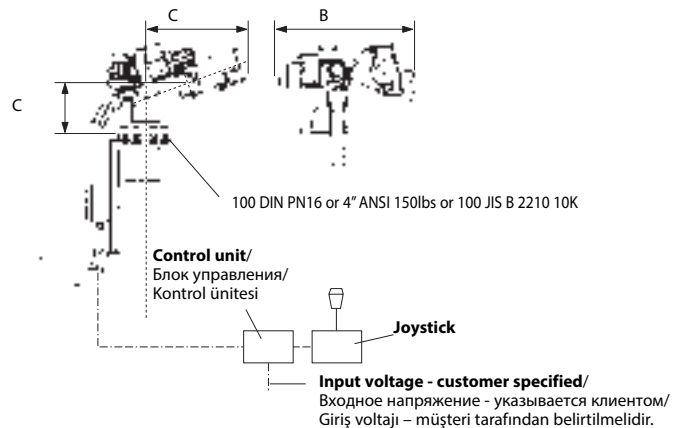
Foam Hardware, Monitors, Model FJM-EL

R Оборудование пенного пожаротушения, лафетные стволы, модель FJM-EL

T Köpük Donanımı, Monitörler, Model FJM-EL



FJM-EL



Technical Data / Технические данные / Teknik Veriler

FJM Series - Standard

Size / Размер / Boyut	100	150	200
Water capacity / Объем воды / Su kapasitesi	6000 l/min	11700 l/min	20000 l/min
Design pressure / Расчетное давление/ Tasarım basıncı	16 bar	16 bar	13 bar
Rotation / Вращение / Dönme açısı	±165°	±165°	±165°
Elevation / Подъем / Yükselme açısı	-70° / +70°	-70° / +70°	-60° / +70°
Weight / Вес/ Ağırlık	69 kg	98 kg	139 kg
Dimensions A / Размеры A/ Boyut A	430mm	590mm	720mm
Dimensions B / Размеры B/ Boyut B	590mm	810mm	1000mm
Dimensions C / Размеры C/ Boyut C	208mm	264mm	279mm

Technical Data / Технические данные / Teknik Veriler

FJM-S Series - Built-in inductor / Серия - Встроенный дозатор / Seriler - Dahili indüktör

Size / Размер / Boyut	100	150	200
Water capacity / Объем воды / Su kapasitesi	6000 l/min	11700 l/min	20000 l/min
Foam capacity max. / Объем пенообразователя, макс. / Köpük kapasitesi max.	320 l/min	600 l/min	600 l/min
Elevation / Подъем / Yükselme açısı	-45° / +70°	-45° / +70°	-45° / +70°
Suction connection / Всасывающий патрубков / Connexion d'aspiration	2" BSP male	2" BSP male	2" BSP male
Weight / Вес/ Ağırlık	72 kg	101 kg	145 kg

ORDER INFORMATION

Description	Part No.	DNV	CHROF	LSR	BV	TFRI	RMRS	RUSSIAN STATE FIRE ACADEMY
FJM-100 EL Man DIN	163410103	✓	✓	✓	✓	✓	✓	✓
FJM-100 EL Man ANSI	163410202	✓	✓	✓	✓	✓	✓	✓
FJM-100 EL MV DIN	163410148	✓	✓	✓	✓	✓	✓	✓
FJM-100 EL MV ANSI	163410247	✓	✓	✓	✓	✓	✓	✓
FJM-100 EL S MV DIN, excluding suction hose	163410153	✓	✓	✓	✓	✓	✓	✓
FJM-100 EL S MV ANSI, excluding suct'n hose	163410252	✓	✓	✓	✓	✓	✓	✓
FJM-100 EL Man Exe DIN	163510103	✓	✓	✓	✓	✓	✓	✓
FJM-100 EL Man Exe ANSI	163510204	✓	✓	✓	✓	✓	✓	✓
FJM-100 EL MV Ex DIN	163510152	✓	✓	✓	✓	✓	✓	✓

ORDER INFORMATION

Description	Part No.	DNV	CHROF	LSR	BV	TFRI	RMRS	RUSSIAN STATE FIRE ACADEMY
FJM-100 EL MV Ex ANSI	163510254	✓	✓	✓	✓	✓	✓	✓
FJM-100 EL MV Exde DIN	163610152	✓	✓	✓	✓	✓	✓	✓
FJM-100 EL MV Exde ANSI	163610253	✓	✓	✓	✓	✓	✓	✓
FJM-100 Suction Hose 2" 3mtr	161010606	✓	✓	✓	✓	✓	✓	✓
FJM-150 EL MV DIN/ANSI/JIS	163415142	✓	✓	✓	✓	✓	✓	✓
FJM-150 EL MV Ex DIN/ANSI	163515145	✓	✓	✓	✓	✓	✓	✓
FJM-150 EL MV Exde DIN/ANSI/JIS	163615144	✓	✓	✓	✓	✓	✓	✓
FJM-150 Suction Hose 2" 3mtr	161015608	✓	✓	✓	✓	✓	✓	✓
FJM-200 EL MV DIN	163420144	✓	✓	✓	✓	✓	✓	✓
FJM-200 EL MV ANSI	163420243	✓	✓	✓	✓	✓	✓	✓

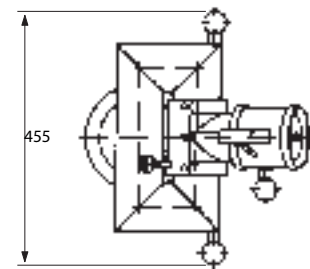
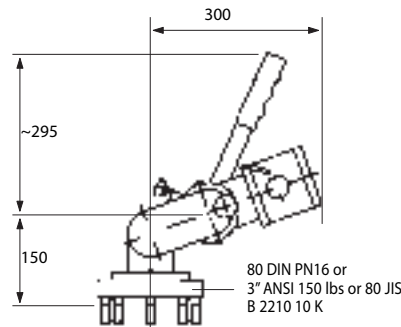
Foam Hardware, Monitors, Model FJM-MAN

R Оборудование пенного пожаротушения, лафетные стволы, модель FJM-MAN

T Köpük Donanımı, Monitörler, Model FJM-MAN



FJM-MAN



Technical Data / Технические данные / Teknik Veriler

FJM Series - Standard				
	80	100	150	200
Water capacity / Объем воды / Su kapasitesi	3000 l/min	6000 l/min	11700 l/min	20000 l/min
Design pressure / Расчетное давление/ Tasarım basıncı	16 bar	16 bar	16 bar	13 bar
Rotation / Вращение / Dönmeye açısı	360°	360°	360°	360°
Elevation / Подъем / Yükselme açısı	-60° / +90°	-60° / +90°	-60° / +70°	-60° / +70°
Connection flange / Фланец подключения / Flanş bağlantısı	80 DIN PN16 or 3" ANSI 150 lbs or 80 JIS B 2210 10K	100 DIN PN16 or 4" ANSI 150 lbs or 100 JIS B 2210 10K	15 DIN PN16 AND 6" ANSI 150 lbs AND 150 JIS B 2210 10K	200 DIN PN16 or 8" ANSI 150 lbs
Weight / Вес/ Ağırlık	14 kg	22 kg	57 kg	90 kg

Technical Data / Технические данные/ Teknik Veriler

FJM-S Series - Built-in inductor / Серия - Встроенный дозатор / Seriler - Dahili indüktör				
	80	100	150	200
Water capacity / Объем воды / Su kapasitesi	3000 l/min	6000 l/min	11700 l/min	20000 l/min
Foam capacity max. / Объем пенообразователя, макс./ Köpük kapasitesi max.	170 l/min	320 l/min	600 l/min	600 l/min
Elevation / Подъем / Yükselme açısı	-45° / +90°	-45° / +90°	-45° / +70°	-45° / +70°
Suction connection / Всасывающий патрубок / Emiş bağlantısı	1.1/2" BSP male	2" BSP male	2" BSP male	2" BSP male
Weight / Вес/ Ağırlık	15 kg	24 kg	60 kg	93 kg

ORDER INFORMATION

Description	Part No.	DIN	ANSI	JIS	BY	FM
FJM-80 DIN/ANSI	160208102	✓	✓	✓	✓	✓
FJM-80 DIN/JIS	160208304	✓	✓	✓	✓	✓
FJM-80 S DIN/ANSI, excl suction hose	161008340	✓	✓	✓	✓	✓
FJM-80 S DIN/JIS, excl suction hose	161008551	✓	✓	✓	✓	✓
FJM-80 Suction Hose 11/4" 3mtr	161008618	✓	✓	✓	✓	✓
FJM-100 DIN/ANSI	160210102	✓	✓	✓	✓	✓
FJM-100 DIN/JIS	160210305	✓	✓	✓	✓	✓
FJM-100 S DIN/ANSI, excl suction hose	161010315	✓	✓	✓	✓	✓
FFJM-100 Suction Hose 2" 3mtr	161010606	✓	✓	✓	✓	✓

ORDER INFORMATION

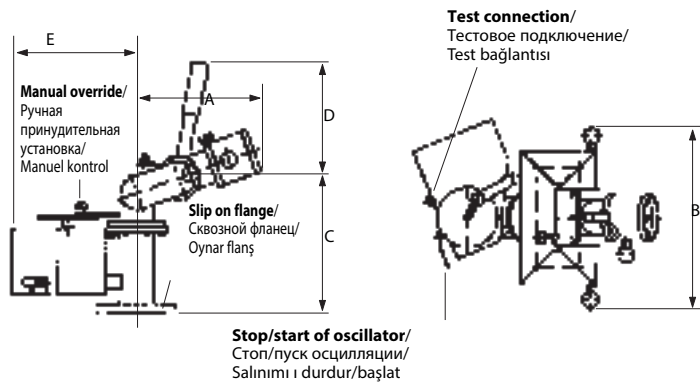
Description	Part No.	DIN	ANSI	JIS	BY	FM
FJM-150 DIN/ ANSI/JIS	160215107	✓	✓	✓	✓	✓
FJM-150 S DIN/ANSI, excl suction hose	161015405	✓	✓	✓	✓	✓
FJM-150 G DIN/ANSI/JIS	161015317	✓	✓	✓	✓	✓
FJM-150 S G DIN/ANSI/JIS, excl suction hose	161015338	✓	✓	✓	✓	✓
FJM-150 Suction Hose 2" 3 mtr	161015608	✓	✓	✓	✓	✓
FJM-200 G DIN	161320127	✓	✓	✓	✓	✓
FJM-200 G ANSI	161320229	✓	✓	✓	✓	✓
FJM-200 S G ANSI, excl suction hose	162020260	✓	✓	✓	✓	✓
FJM-200 Suction Hose 21/2" 3mtr	161320618	✓	✓	✓	✓	✓

Foam Hardware, Monitors, Model FJM-WTO

- R** Оборудование пенного пожаротушения, лафетные стволы, модель FJM-WTO
- T** Köpük Donanımı, Monitörler, Model FJM-WTO



FJM-WTO



Technical Data / Технические данные / Teknik Veriler

	FJM-WTO Standard		
	80	100	150
Water capacity at 10 bar / Подача воды при 10 барах / 10 bar'da su kapasitesi	3700 l/min	6000 l/min	11700 l/min
Design pressure / Расчетное давление / Tasarım basıncı	16 bar	16 bar	16 bar
Rotation - oscillation / Вращение - осцилляция / Dönme - salınım	30°, 50°, 70°, 100°	30°, 50°, 70°, 100°	30°, 50°, 70°, 100°
Rotation - manual / Вращение - ручное / Dönme açısı - elle	360°	360°	360°
Elevation - manual / Подъем - ручной / Yükselme açısı - elle	-60° / +90°	-60° / +90°	-60° / +90°
Weight / Вес / Ağırlık	25 kg	32 kg	67 kg
Connection water / Подключение воды / Su bağlantısı	80 DIN PN16 or 3" ANSI 150 lbs	100 DIN PN16 or 4" ANSI 150 lbs	150 DIN PN16 or 6" ANSI 150 lbs
Material body / Материал корпуса / Gövde Malzemesi	Stainless steel / Нержавеющая сталь / Acier Inoxydable		
Material flange / Материал фланца / Flanş Malzemesi			
Material nozzle / Материал насадки / Nozul Malzemesi	Bronze / Бронза / Bronze		
Dimensions A / Размеры A / Boyut A	315	370	590
Dimensions A(-S) / Размеры A(-S) / Boyut A(-S)	350	450	
Dimensions B / Размеры B / Boyut B	455	520	920
Dimensions C / Размеры C / Boyut C	340	400	423
Dimensions D / Размеры D / Boyut D	295	350	
Dimensions E / Размеры E / Boyut E	320	350	

ORDER INFORMATION

Description	Part No.	DWV	FM	BY	TRF	RIMS	RUSSIAN ACADEMY
FJM-80 WTO DIN	161508716	✓	✓	✓	✓	✓	✓
FJM-80 WTO ANSI	161508819	✓	✓	✓	✓	✓	✓
FJM-80 S WTO DIN, excl suction hose	161508737	✓	✓	✓	✓	✓	✓
FJM-80 S WTO ANSI, excl suction hose	161508840	✓	✓	✓	✓	✓	✓
FJM-80 Suction Hose 11/4" 3 mtr	161008618	✓	✓	✓	✓	✓	✓
FJM-100 WTO DIN/ANSI	161510811	✓		✓	✓	✓	✓
FJM-100 S WTO DIN/ANSI, excl suction hose	161510761	✓		✓	✓	✓	✓
FJM-100 Suction Hose 2" 3 mtr	161010606	✓		✓	✓	✓	✓
FJM-150 WTO DIN/ ANSI/JIS	161515719	✓		✓	✓	✓	✓
FJM-150 Suction Hose 2" 3 mtr	161015608	✓		✓	✓	✓	✓

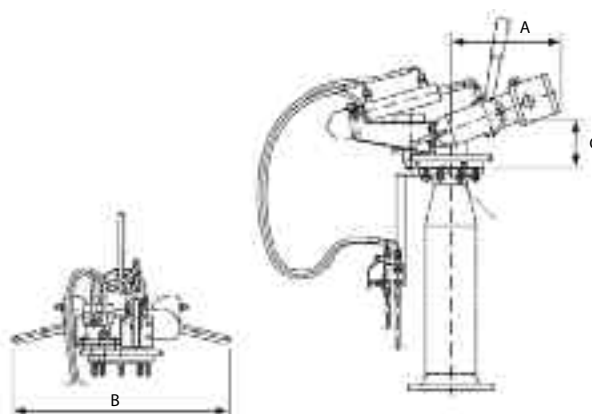
Foam Hardware, Monitors, Model FJM-H

● Оборудование пенного пожаротушения, лафетные стволы, модель FJM-H

● Köpük Donanımı, Monitörler, Model FJM-H



FJM-H



Technical Data / Технические данные / Teknik Veriler

FJM-H Hydraulic / FJM-H Гидравлический / FJM-H Hidrolik

Size / Размер / Boyut	100	150
Water capacity at 10 bar / Подача воды при 10 барах / 10 bar'da su kapasitesi	6000 l/min	11700 l/min
Design pressure / Расчетное давление / Tasarım basıncı	16 bar	16 bar
Oil pressure / Давление масла / Yağ basıncı	60 ± 10 bar	60 ± 10 bar
Oil flow / Расход масла / Yağ akışı	± 2 l/min	± 2 l/min
Rotation velocity / Скорость вращения / Dönme hızı	± 1 r/min	± 1 r/min
Rotation / Вращение / Dönme açısı	± 165°	± 165°
Elevation / Угол подъёма / Yükselme	-45° - +60°	-45° - +60°
Weight / Вес / Ağırlık	60 kg	80 kg
Dimensions A / Размеры A / Boyut A	380mm	550mm
Dimensions B / Размеры B / Boyut B	750mm	920mm
Dimensions C / Размеры C / Boyut C	173mm	222mm
	100 DIN PN16 or 4" ANSI 150 lbs or 100 JIS B 2210 10 K	150 DIN PN16 or 6" ANSI 150 lbs or 150 JIS B 2210 10 K

Note: The nozzle can be easily adjusted on site for any specified capacity and pressure within its working range, according to separate adjustment table /

Примечание: насадка легко регулируется по месту установки для любой указанной производительности и давления в пределах его рабочего диапазона, в соответствии с отдельной таблицей регулировки. /

Not: Nozul , ayar tablosunda belirtilmiş çalışma aralığında herhangi bir kapasite ve basınç için yerinde kolayca ayarlanabilir.

ORDER INFORMATION

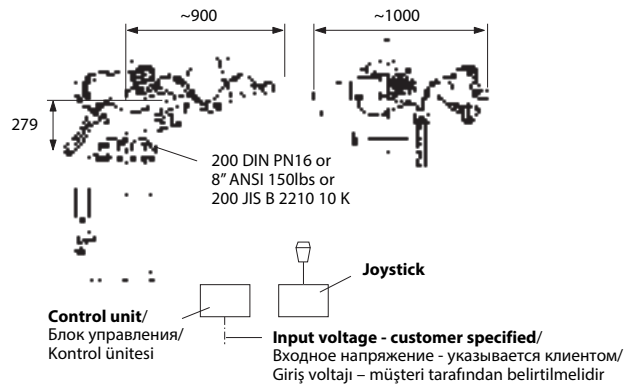
Description	Part No.
FJM-100 H DIN/ANSI	161610818
FJM-100 H DIN/JIS	161610811
FJM-100 H MVH DIN/ANSI	161610825
FJM-100 H MVH DIN/JIS	161610832
FJM-150 H DIN/ANSI/JIS	161615809
FJM-150 H MVH DIN/ANSI/JIS	161615813

Foam Hardware, Monitors, Model FJF/SLN

- R** Оборудование пенного пожаротушения, лафетные стволы, модель FJM/SLN
- T** Köpük Donanımı, Monitörler, Model FJF/SLN



FJM-SLN



Performance Data / Эксплуатационные параметры / Performans Verileri

FJM-200 EL FJF / SLN

Type / Тип/ Tip	FJM-200 EL FJF	FJM-200 EL SLN
Water capacity at 10 bar / Подача воды при 10 барах/ 10 bar'da su kapasitesi	5000 - 20000 l/min	
Inlet connection / Подключение ввода/ Giriş bağlantısı	200 DIN PN16 or 8" ANSI 150 lbs	
Design pressure / Расчетное давление/ Tasarım basıncı	13 bar	13 bar
Rotation / Вращение/ Dönme açısı	± 165°	± 165°
Elevation / Угол подъёма/ Yükselme açısı	-10° - +70°	-60° - +70°
Weight / Вес/ Ağırlık	150 kg	130 kg

1 bar = 0.1 MPa - 14.5 psi

ORDER INFORMATION

Description	Part No.	DIN	BY	US	EMPS
FJM-200 C EL FJF DIN	1634C20590	√	√	√	√
FJM-200 C EL FJF ANSI	1634C20687	√	√	√	√
FJM-200 C EL SLN DIN	1634C20575	√	√	√	√
FJM-200 C EL SLN ANSI	1634C20672	√	√	√	√

Foam Hardware & High Expansion Foam Products

● R Оборудование пенного пожаротушения для получения пены высокой кратности

● T Köpük Donanımı ve Yüksek Genleşmeli Köpük Ürünleri

High Expansion Foam Generator, Model HG

Генератор пены высокой кратности, модель HG

Yüksek Genleşmeli Köpük Jeneratörü Üretici, Model HG



P. 9.059

Foam Concentrate "Meteor P+"

Пенообразователь "Meteor P+"

Köpük Konsantrasyonu "Meteor P+"



P. 9.060

Ansul Jet-XGenerators

Генераторы Ansul Jet-X

Ansul Jet-X Köpük Jeneratörleri



P. 9.061

Foam Concentrate "Ansul JET-X Foam"

Пенообразователь "Ansul JET-X"

Köpük Konsantrasyonu "Ansul JET-X Köpük"



P. 9.062

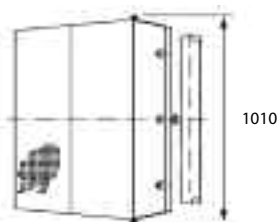
Foam Hardware, Hotfoam™, Model HG

● Оборудование пенного пожаротушения, Hotfoam™, Модель HG

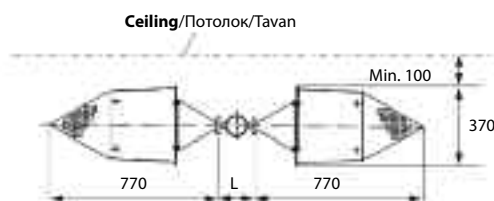
● Köpük Donanımı, Hotfoam™, Model HG



HG



1010



Ceiling/Потолок/Tavan

Min. 100

370

L = Min. 800 or mounted crosswise/
L = Мин. 800 или при установке крест-накрест/
L = Min. 800 veya çapraz olarak monteli

Performance Data / Эксплуатационные параметры / Performans Verileri

HG

Type / Тип/ Tip	HG-15	HG-25
Nominal rating / Номинальные параметры/ Anma derecesi	At inlet pressure of 6 bar the solution consumption is 30 l/min and the foam capacity is 18 m³/min expansion ratio 600:1 / При давлении на входе 6 бар расход раствора составляет 30 л/мин, производительность пены составляет 18 м ³ /мин. при коэффициенте расширения 600:1 / 6 barlık giriş basıncında çözelti tüketimi 30 l/dak'dır ve köpük kapasitesi 18 m ³ /dak genişleme oranı 600:1'dir	At inlet pressure of 6 bar the solution consumption is 90 l/min and the foam capacity is 60 m³/min expansion ratio 667:1 / При давлении на входе 6 бар расход раствора составляет 90 л/мин, производительность пены составляет 60 м ³ /мин. при коэффициенте расширения 667:1 / 6 barlık giriş basıncında çözelti tüketimi 90 l/dak'dır ve köpük kapasitesi 60 m ³ /dak genişleme oranı 667:1'dir
Material / Материал / Malzeme	Stainless steel / Нержавеющая сталь / Paslanmaz çelik	Stainless steel / Нержавеющая сталь / Paslanmaz çelik
Weight / Вес/ Ağırlık	5 kg	10 kg

1 bar = 0.1 MPa - 14.5 psi

Listings or approvals

- Det Norske Veritas (DNV)
- Lloyd's Register of Shipping (LRS)
- Bureau Veritas (BV)
- Germanischer Lloyd (GL)
- American Bureau of Shipping (ABS)
- China Classification Society (CCS)
- EN 1568

ORDER INFORMATION

Description	Part No.
HG-15	106101112
HG-25	106102236
HG-15/25 Flange st. steel	106102807
HG-15/25 Flange steel	106102870
HG-15/25 Flange 1" BSP	106102821
HG-15/25 grooved adapter 1 1/4"	106102851
Mounting details 15/25 flange	106102898

Foam Hardware, Hotfoam™, Model Meteor P+

R Оборудование пенного пожаротушения, Hotfoam™, пенообразователь Meteor P+

T Köpük Donanımı, Hotfoam™, Model Meteor P+



METEOR P+

Performance Data / Эксплуатационные параметры / Performans Verileri

METEOR P+

Specific gravity / Удельный вес / Özgül kütle	1.03 +/- 0.01 g/ml
pH / pH / pH	6.0 - 8.0
Foam expansion ratio (high expansion)/ Коэффициент расширения пены (высокая кратность)/ Köpük genişleme oranı (yüksek genişleme)	200-800:1 (equipment dependant) / 200-800:1 (зависит от оборудования)/ 200-800:1 (ekipmana bağlı)
Foam expansion ratio (low expansion, IMO MSC/Circ. 582 method / Коэффициент расширения пены (низкая кратность, IMO MSC/Circ. Метод 582 / Köpük genişleme oranı (düşük genişleme, IMO MSC/Circ. 582 yöntem	> 9:1
Foam drainage time (low expansion, IMO MSC/Circ. 582 method / Время разрушения пены (низкая кратность, IMO MSC/Circ. Метод 582 / Köpük drenaj süresi (düşük genişleme, IMO MSC/Circ. 582 yöntem	> 6 min
Recommended induction rate, low expansion / Рекомендуемый процент дозирования, низкая кратность / Tavsiye edilen indüksiyon oranı, düşük genişleme	2%
Recommended induction rate, high expansion / Рекомендуемый процент дозирования, высокая кратность / Tavsiye edilen indüksiyon oranı, yüksek genişleme	2%
Viscosity at (ISO 3104 method): 20° C / Вязкость при (метод ISO 3104): 20° C / (ISO 3104 yöntemi) Akışkanlık : 20° C' de	< 30 cPs
Viscosity at (ISO 3104 method) minimum storage temp. / Вязкость при (метод ISO 3104) минимальной температуре хранения / (ISO 3104 yöntemi) asgari depolama ısısında akışkanlık	< 400 cPs
Sediments (IMO MSC/Circ. 582 method) / Осадок (IMO MSC/Circ. Метод 582) / Çökeltiler (IMO MSC/Circ. 582 yöntem)	< 0.25%
Pour point / Точка текучести / Boşalma noktası	-10° C

Listings or approvals

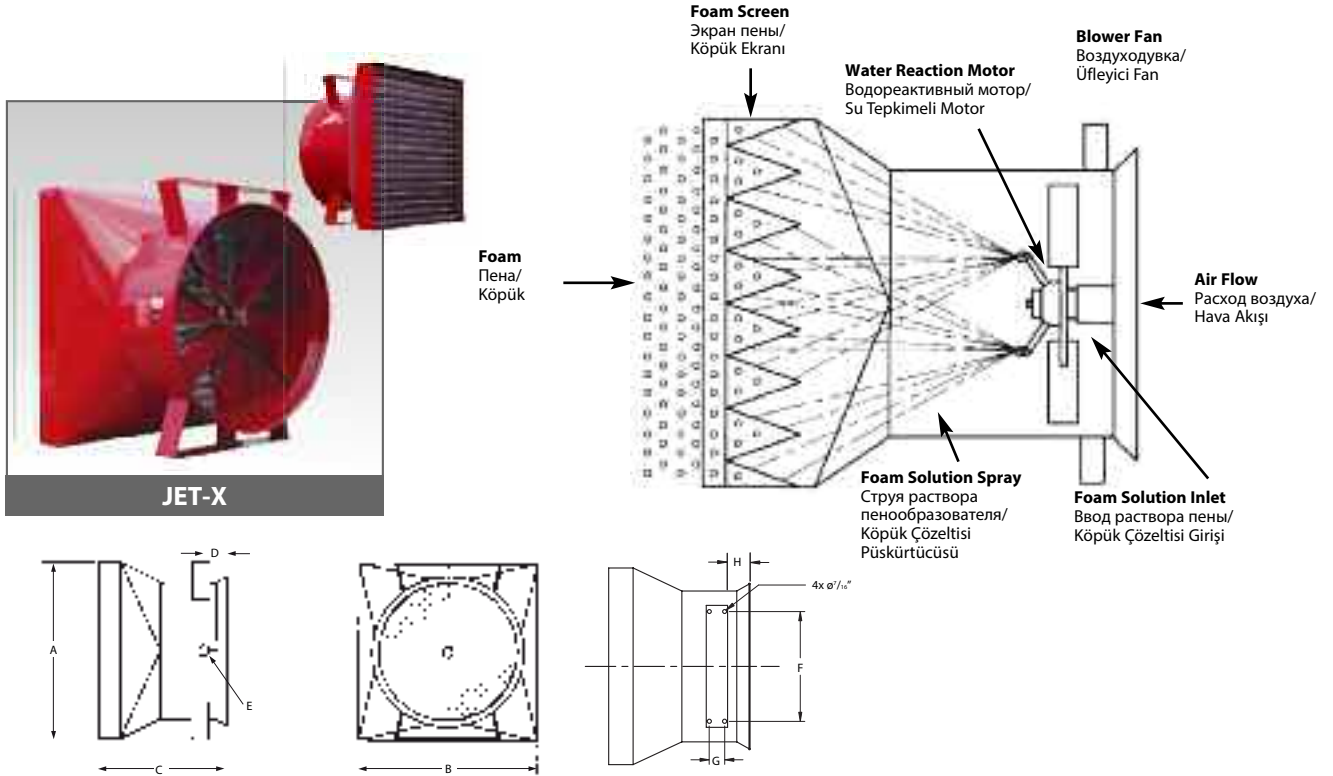
- Det Norske Veritas (DNV)
- Lloyds Register of Shipping (LRS)
- Bureau Veritas (BV)
- Germanischer Lloyd (GL)
- American Bureau of Shipping (ABS)
- China Classification Society (CCS)

ORDER INFORMATION

Description	Part No.
20 l Meteor P+ Can	182316523
200 l Meteor P+ Drum	182316537

Ansul Jet-X Generators

- R** Генераторы пены Ansul Jet-X
- T** Ansul Jet-X Üreticiler



High Expansion Foam Generators / Генераторы пены высокой кратности / Yüksek Genleşmeli Köpük Jeneratörleri model JET-X

Art. Nr.	Type Тип Tip	Foam Inlet Pressure	Solution Outlet	Flow	Expansion	A	B	C	D	E	F	G	H	Kg	Approval	
		psi	cfm	Lpm	Кратность Foisonnement Genleşme											
420000	JET-X-2	50	1,140	114	275:1	57	57	63	8	1 in.	-	-	-	22	UL, FM	
		75	1,770	144	340:1											
		100	2,170	166	360:1											
420001	JET-X-2A	50	2,240	132	465:1	63	63	63	8	1 in.	-	-	-	23	-	
		75	3,200	159	555:1											
		100	3,735	189	545:1											
420002	JET-X-5	50	5,350	136	1105:1	107	107	101	18	1.5 in.	69	-	-	87	UL, FM	
		75	6,720	170	1115:1											
		100	7,225	189	1080:1											
420003	JET-X-5A	50	5,700	230	700:1	107	107	101	18	1.5 in.	69	-	-	87	-	
		75	7,500	283	750:1											
		100	8,000	329	685:1											
420005	JET-X-15A (UL)	50	13,880	450	870:1	163	163	117	22	2 in.	91	13	20	159	UL	
		75	17,410	548	900:1											
		100	19,545	639	865:1											
420006	JET-X-15A (FM)	50	12,985	397	925:1	163	163	117	22	2 in.	91	13	20	159	FM	
		75	17,985	484	1050:1											
		100	17,100	567	855:1											
420007	JET-X-15A (LNG)	50	12,625	681	525:1	163	163	117	22	2 in.	91	13	20	159	UL	
		75	14,495	832	495:1											
		100	18,240	984	525:1											
421590	JET-X-20	40	13,443	802	474:1	163	163	117	22	2 in.	91	13	20	159	UL	
		50	16,034	901	504:1											
		75	21,145	1,113	538:1											
436899	JET-X-27	40	20,295	575	839:1	164	160	238	35	2 in.	91	13	35	327	UL	
		50	23,965	679	883:1											
		75	27,303	773	840:1											
100	28,802	276	781:1													

Clearance Dimensions*

Part No.	Model	in.	(cm)	in.	(cm)	in.	(cm)	in.	(cm)	in.	(cm)	in.	(cm)	Shipping Weights**	(kg)
NEMA 4/7														lb	(kg)
430060 / 430061	Wall Intake Damper Assembly – JET-X-5	44.5	113	44.5	113	24	61	42	107	50	(127)	241	109.3		
430062 / 430063	Roof Intake Damper Assembly – JET-X-5	46.5	118	46.5	118	16	40.6	42	107	—	—	285	129.3		
430064 / 430065	Wall Relief Louver Assembly – JET-X-5	30.5	77	48.5	123	6	15.2	—	—	—	—	50	22.7		
430066 / 430067	Wall Intake Damper Assembly – JET-X-15/20	54.5	138	54.5	138	24	61	53	135	62.5	(158.7)	315	142.9		
430068 / 430069	Roof Intake Damper Assembly – JET-X-15/20	54.5	138	54.5	138	16	40.6	53	135	—	—	360	163.3		
430070 / 430071	Wall Relief Louver Assembly – JET-X-15/20	60.5	154	84.5	215	6	15.2	—	—	—	—	140	63.5		
437018 / 437097	Roof Intake Damper Assembly – JET-X-27	54.5	138.5	138	24	61	53	135	—	—	525	238			

* Actual dimensions of equipment will be approximately 0.25 in. (6.4 mm) smaller than clearance dimensions listed.

** Weights listed are for NEMA 4 models; add 20 lb (9.1 kg) for NEMA 7 models.

Note: Ansul products are available from authorised Ansul dealers; contact sales for further details.

Примечание: Изделия Ansul можно приобрести у уполномоченных дилеров компании Ansul; обратитесь в отдел продаж для дополнительной информации.

Not: Ansul ürünleri yetkili Ansul satıcılarından temin edilebilir; daha fazla detay için satışla irtibata geçiniz.

TYCENDEFRRP 0713 Tyco reserves the right to change the contents without notice

Ansul JET-X Foam

R Пенообразователь Ansul JET-X

T Ansul Jet-X Köpük



Specification/Технические характеристики/Tanımlama

Appearance/Внешний вид/Görünüm	Green liquid/Зеленая жидкость/Yeşil sıvı
Fire Classes/Класс пожара/Yangın Sınıfları	A, B
Mixing Ratio/Процент дозирования/Karıştırma Oranı	2,75%
Application Protection/Сферы защиты/Koruma Uygulamaları	Class A, B and LNG fires/ Пожары класса А, В и СПГ/Sınıf A, B ve LNG yangınları
Expansion/Кратность пены/Genleşme	Low, medium, high/Низкая, средняя, высокая/Düşük, orta, Yüksek
Density/Плотность/Yoğunluk @ 25° C	1.020 +/- 0.02 g/ml
pH	7.0 - 8.5
Viscosity/Вязкость/Akışkanlık @ 25° C	12.0 +/- 2.0 centistokes
Storage Temperature/Температура хранения/Depolama Isısı	-1.7 to +49° C
Packaging/Упаковка/Ambalajlama	19 Liter Cans, 208 Liter Drums or 1000 Liter Totes Канистры 19 литров, бочки 208 л или кубовые емкости 1000 литров 19 Litrelik kutular , 208 Litrelik Bidonlar veya 1000 Litrelik variller

Material Safety Datasheet available upon request

Паспорт безопасности материала доступен по запросу

Malzeme Güvenlik Veri Sayfası istek üzerine mevcuttur

JET-X FOAM				
Art. Nr.	Volume Объем Hacim Ltr.	Kg	✓	✓
420008	19 (5 GAL)	23.1	✓	✓
420009	208 (55 GAL)	261.7	✓	✓
431175	1000 (265 GAL)	1118	✓	✓

Note: Ansul products are available from authorised Ansul dealers; contact our Sales Dept. for further details.

Примечание: Изделия Ansul можно приобрести у уполномоченных дилеров компании Ansul; обратитесь в наш отдел продаж для дополнительной информации.

Not: Ansul ürünleri yetkili Ansul satıcılarından temin edilebilir; daha fazla detay için Satış Bölümümüz ile irtibata geçiniz.



Global Strength. Local expertise. At your service.

Regional Offices EMEA:

Austria (Vienna)

Tel: +43 (0)1 271 0049
Fax: +43 (0)1 271 0142

Hungary (Budapest)

Tel: +36 (0)1 481 1383
Fax: +36 (0)1 203 4427

Sweden (Lammhult)

Tel: +46 (0)472 269 980
Fax: +46 (0)472 269 989

Belgium (Mechelen)

Tel: +32 (0)15 285 555
Fax: +32 (0)15 206 076

Italy (Milan)

Tel: +39 (0)331 583 000
Fax: +39 (0)331 583 030

The Netherlands (Enschede)

Tel: +31 (0)53 428 4444
Fax: +31 (0)53 428 3377

Czech Republic (Liberec)

Tel: +420 482 736 291
Fax: +420 482 736 293

Norway (Lørenskog)

Tel: +47 6791 7700
Fax: +47 6791 7715

Turkey (Ankara)

Tel: +90 312 473 70 11
Fax: +90 312 473 73 92

France (Paris)

Tel: +33 (0)1 48 178 727
Fax: +33 (0)1 48 178 720

Russia

Tel: +31 (0)53 428 4444
Fax: +31 (0)53 428 3377

United Arab Emirates (Dubai)

Tel: +971 (0)4 883 8689
Fax: +971(0)4 883 8674

Germany (Rodgau)

Tel: +49 (0)6 106 84455
Fax: +49 (0)6 106 18177

Spain (Madrid)

Tel: +34 (0)91 380 74 60
Fax: +34 (0)91 380 74 61

UK & Ireland (Manchester)

Tel: +44 (0)161 2594 000
Fax: +44 (0)161 8750 491

www.tfpemea.com

Copyright © 2013 Tyco Fire Products LP. All rights reserved.

