

ProPEX® Lead-free (LF) Brass Ball Valve, ½" PEX x ½" MIP

Submittal Information
Revision A: Jan. 27, 2010

Project Information

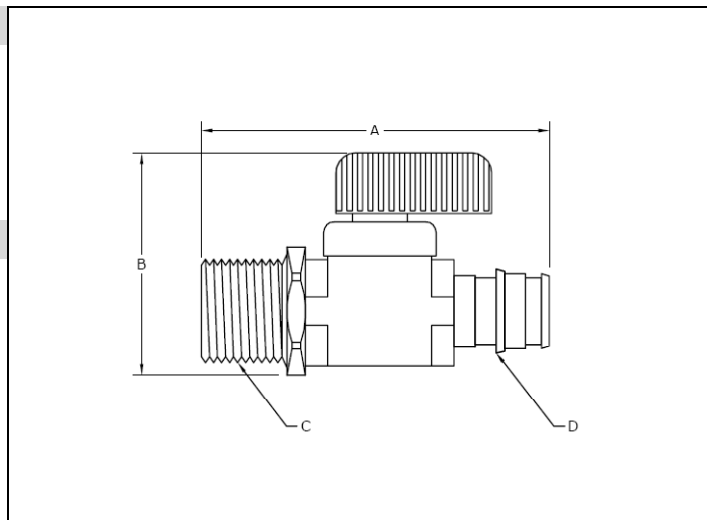
Job Name:	
Location:	Part No. Ordered:
Engineer:	Date Submitted:
Contractor:	Submitted By:
Manufacturer's Representative:	Approved By:

Technical Data

Material:	C69300 Brass
Maximum Temperature (no pressure):	250°F (121°C)
Maximum Working Pressure:	250 psi

Product Information and Application Use

ProPEX® Lead-free Ball Valve features a shut-off valve between ½" Uponor AquaPEX® tubing and ½" Membrane Interface Probe (MIP).¹ These valves are not compatible with applications using glycol.



✓ Description	Part Number	A	B	C	D	Weight
ProPEX LF Brass Ball Valve, ½" PEX x ½" MIP	LF4795050	2.69"	1.63"	½" MNPT	½" ProPEX	0.20 lbs.

Installation

Install valve according to local building code. Do not dismantle. If soldering, aim flame away from fitting. For more information, refer to the AquaPEX Professional Plumbing Installation Guide or Radiant Floor Heating Installation Handbook.

Standards

CSA 137.5 and B125; ASTM F877; ASTM F1960; ASME A112.18.1

Codes

IPC; UPC; NSPC; NPC of Canada

Listings

ANSI/NSF 14- and 61-certified; U.P. Code, Annex G

Related Applications

PEX-a Plumbing Systems

Contact Information

Uponor, Inc.
5925 148th Street West
Apple Valley, MN 55124 USA
Phone: (800) 321-4739
Fax: (952) 891-2008
www.uponor-usa.com

Uponor Ltd.
2000 Argentia Rd., Plaza 1, Ste. 200
Mississauga, ON L5N 1W1 CANADA
Phone: (888) 994-7726
Fax: (800) 638-9517
www.uponor.ca

¹ProPEX® is a registered trademark of Uponor, Inc. ProPEX™ is a trademark of Uponor Ltd.