

## ProPEX® Lead-free (LF) Ice Maker Box

Submittal Information  
Revision A: Jan. 20, 2009

### Project Information

Job Name:

Location:

Engineer:

Contractor:

Manufacturer's Representative:

Part No. Ordered:

Date Submitted:

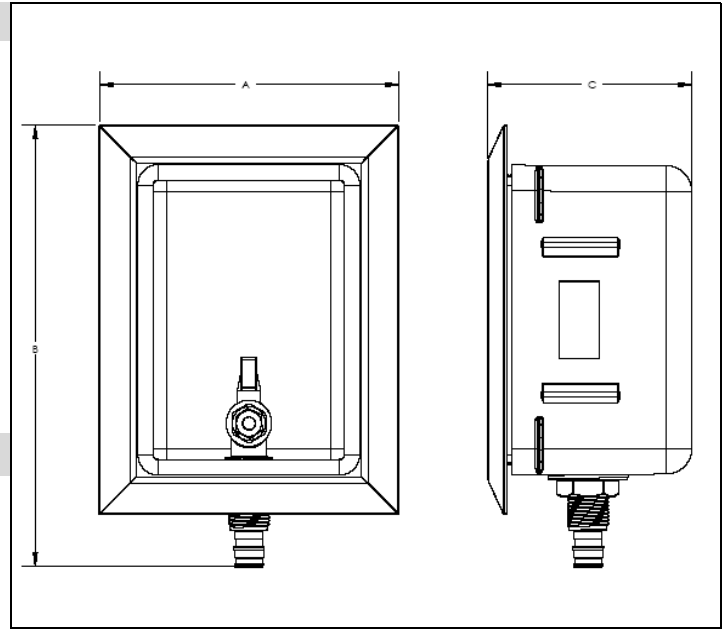
Submitted By:

Approved By:

### Technical Data

Materials:

- Box: High-impact polystyrene
- Frame: High-impact polystyrene
- Support Brackets: High-impact polystyrene
- Valve: C69300 Brass



### Product Information and Application Use

The ProPEX® Lead-free Ice Maker Box with snap-in frame includes a ½" lead-free brass valve with ¼" O.D. compression connection.<sup>1</sup> This high-impact box is an aesthetic, convenient option for connecting to standard ice maker tubing. Two support brackets are provided for easy mounting.

✓ Description	Part Number	Length (A)	Height (B)	Depth (C)	Weight
ProPEX LF Ice Maker Box	LF5955025	5.9"	8.5"	4.0"	0.87 lbs.

### Installation

Mount in wall cavity at the desired location (e.g., behind refrigerator) using the supplied mounting brackets or directly to studs. For more information, refer to the AquaPEX® Professional Plumbing Installation Handbook.

### Standards

ASME A112.18.1 / CSA B125-1 / ASTM F1960

### Codes

IPC; UPC; NSPC; NPC of Canada

### Listings

ANSI/NSF 14- and 61-certified; U.P. Code, Annex G

### Related Applications

PEX-a Plumbing Systems

### Contact Information

Uponor, Inc.  
5925 148<sup>th</sup> Street West  
Apple Valley, MN 55124 USA  
Phone: (800) 321-4739  
Fax: (952) 891-2008  
www.uponor-usa.com

Uponor Ltd.  
2000 Argentic Rd., Plaza 1, Ste. 200  
Mississauga, ON L5N 1W1 CANADA  
Phone: (888) 994-7726  
Fax: (800) 638-9517  
www.uponor.ca

<sup>1</sup>ProPEX® is a registered trademark of Uponor, Inc. ProPEX™ is a trademark of Uponor Ltd.