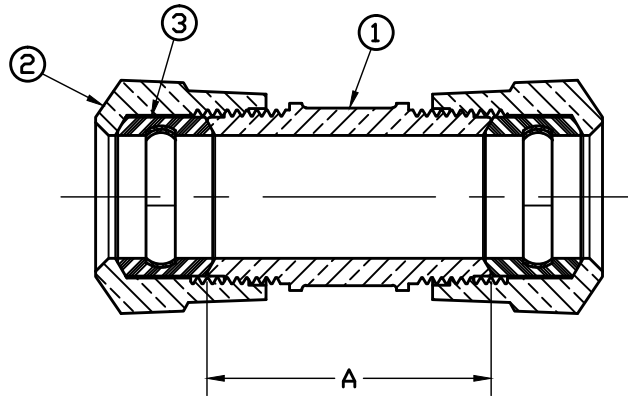


No.	QTY.	DESCRIPTION	MATERIAL
1	1	SPUD	CAST LOW LEAD BRASS ALLOY
2	2	CONN. NUT	CAST BRASS ASTM B62 ALLOY C83600
3	2	CTS GSKT SUB	SBR D2000 - GSKT 410ss - BAND



SIZE	A
1/2	1.625
1/2x3/4	1.950
5/8	1.656
5/8x3/4	1.750
3/4	2.062
1	2.406
1x3/4	1.835
1-1/4	2.375
1-1/4x1	2.154
1-1/2	3.312
1-1/2x1	2.840
2	3.375

NOTE: ALL WETTED PARTS ARE LOW LEAD BRASS ALLOY

FILEPATH: PRODD-ENG\MUELLER\ASYSUBMITTALS\H15403N

						DRFTR	JGarvir	12/21/09	Mueller Co.	
						CHKR				
						ENGR				
						MGR				
							BY	DATE	UNLESS OTHERWISE NOTED	
									THIRD ANGLE PROJECTION	
									SURFACE PREPARATION:	
									BREAK CORNER(S) ---- .000	
									SURFACE FINISH -- XX RMS	
									TOLERANCE(S):	
									LINEAR ----- ± .000	
									ANGULAR ----- ± 0°00'	
									REF. No.	SCALE
										NONE
									PART NUMBER	
									H15403N	
									DESCR.	
									STRAIGHT SERVICE FITTING	
									LOW LEAD BRASS (110 CTS x 110 CTS)	
									PER EST NO: DXXXX EST FIN WT = 0.0000 lbs	

PART NUMBER
H15403N
442-MRKTG