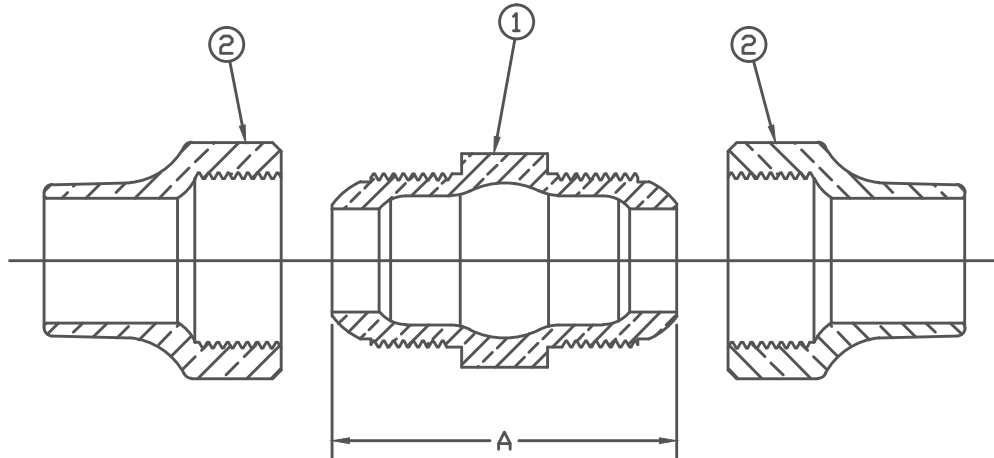


No.	DESCRIPTION	MATERIAL
1	SPUD	CAST LOW LEAD BRASS ALLOY
2	CS NUT	CAST BRASS ASTM B62 ALLOY C83600



SIZE	A
1/2	2.190
5/8	2.375
5/8x1/2	2.375
5/8x3/4	2.500
3/4	2.500
3/4x1/2	2.375
3/4 x 1	2.938
1	2.938
1-1/4	3.688
1-1/4x1	3.688
1-1/2	4.062
2	4.892

NOTE: ALL WETTED PARTS ARE LOW LEAD BRASS ALLOY

FILEPATH: PRODD-ENG\MUELLER\ASYSUBMITTALS\H15400N

				DRFTR	Garvir	2/10/12	<b>Mueller Co.</b>	
				CHKR				
				ENGR				
				MGR				
				BY	DATE	UNLESS OTHERWISE NOTED		THIRD ANGLE PROJECTION
				STK No:		SURFACE PREPARATION:		REF. No.
				MAT'L:		BREAK CORNER(S) ---- .000		
				DESCR.		SURFACE FINISH -- 000 RMS		NONE
				COPPER COUPLING		TOLERANCE(S):		
				LOW LEAD BRASS (CS x CS)		LINEAR ----- ± .000		
				PART NUMBER		ANGULAR ----- ± 0°00'		H15400N
				PER EST NO: DXXXX		EST FIN WT = 0.0000 lbs		

PART NUMBER  
H15400N  
442-MRKTG