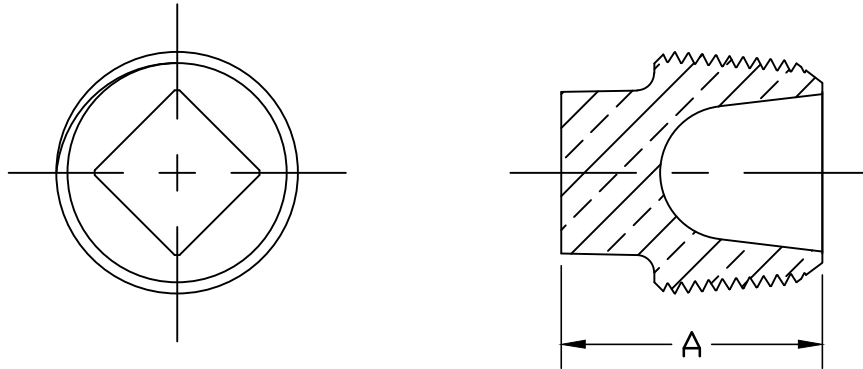



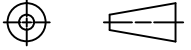
PART NUMBER
H10033N

44²-MRKTG

SIZE	A
1/2"	1.12
5/8"	1.31
3/4"	1.36
1"	1.38
1-1/4"	1.44
1-1/2"	1.50
2"	1.56



FILEPATH: PRDD-ENG\MUELLER\ASYSUBMITTALS\H10033N

						DRFTR	RWB	11/6/12		
						CHKR				
						ENGR				
						MGR				
							BY	DATE	UNLESS OTHERWISE NOTED SURFACE PREPARATION: BREAK CORNER(S) ----- .000 SURFACE FINISH -- XX RMS TOLERANCE(S): LINEAR ----- ± .000 ANGULAR ----- ± 0°00'	
									THIRD ANGLE PROJECTION 	
									REF. No.	SCALE
										FULL
									STK No:	
									MAT'L: CAST LOW LEAD BRASS ALLOY	
									DESCR. LLB CC THR'D SQUARE PLUG	
									PART NUMBER H10033N	
									PER EST NO: DXXXX EST FIN WT = 0.0000 lbs	