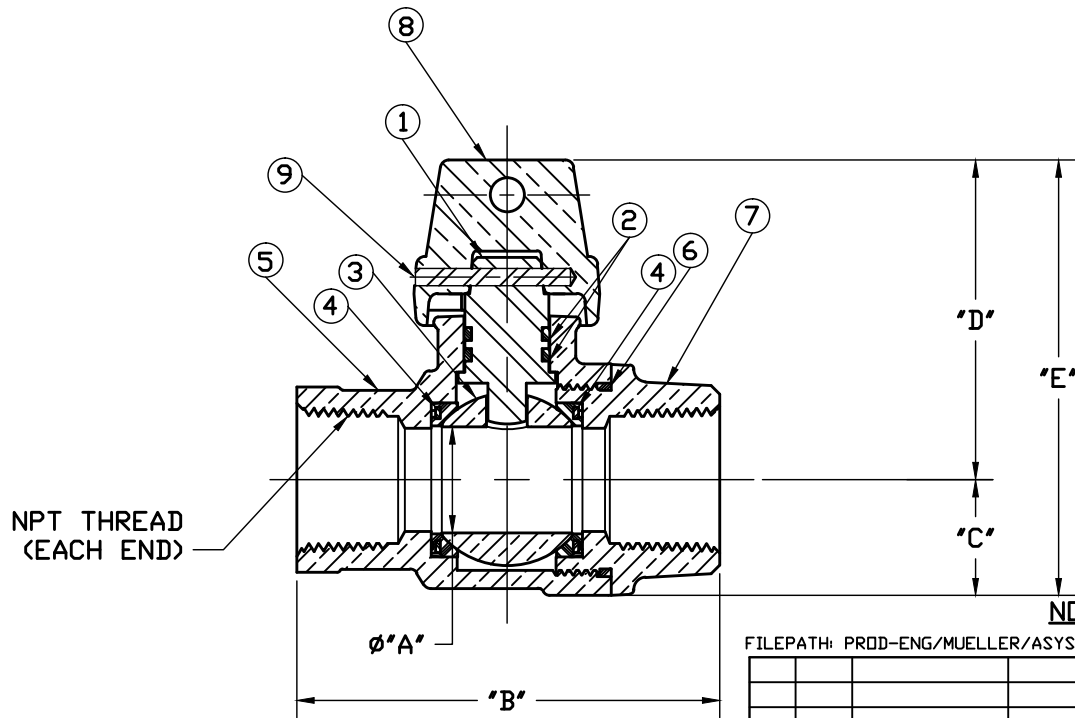


No.	DESCRIPTION	MATERIAL
1	STEM	LOW LEAD BRASS ALLOY
2	O-RING	EPDM D2000
3	BALL	LOW LEAD BRASS ALLOY
4	GASKET - SEAL	NITRILE D2000
5	BODY	CAST LOW LEAD BRASS ALLOY
6	O-RING	EPDM D2000
7	END PIECE	CAST LOW LEAD BRASS ALLOY
8	CAP	CAST BRASS ASTM B62 ALLOY C83600
9	SOLID PIN	AISI 303 STAINLEES STEEL



SIZE	ØA	B	C	D	E
3/4R	.625	2.969	.750	2.120	2.870
3/4	.750	3.070	.840	2.323	3.163
1R	.750	3.522	.840	2.323	3.163
1	1.000	3.972	1.150	2.567	3.717
1x3/4	.750	3.287	.840	2.627	3.467
1-1/2	1.500	4.134	1.500	3.372	4.872
2	2.000	4.940	1.820	3.919	5.739

NOTE: ALL WETTED PARTS ARE LOW LEAD BRASS ALLOY

FILEPATH: PRODD-ENG/MUELLER/ASYSUBMITTALS/B20283N

DRFTRJGarvin	12/21/09	Mueller Co.	
CHKR			
ENGR			
MGR			
BY	DATE	UNLESS OTHERWISE NOTED	THIRD ANGLE PROJECTION
		SURFACE PREPARATION:	REF. No.
		BREAK CORNER(S) ---- .000	SCALE
		SURFACE FINISH -- XX RMS	NONE
		TOLERANCE(S):	
		LINEAR ----- ± .000	
		ANGULAR ----- ± 0°00'	
STK No:		DESCR.	
MAT'L:		PART NUMBER	
REV ECR DESCRIPTION DATE BY CHKR		B20283N	
PER EST NO: DXXXX EST FIN WT = 0.0000 lbs			

PART NUMBER
B20283N
442-MRKTG

April 28, 2017

Subject: Mueller Co. Service Brass

To Whom It May Concern:

This will certify that Mueller Co. service brass, which includes corporation stops, curb stops, service fittings, meter valves, copper meter yokes and end connections, are manufactured and tested in accordance with the latest revision of AWWA C800 standard and are certified to NSF 61.

Components that come in contact with potable water comply with the latest requirements of the U.S. Federal Safe Drinking Water Act that was enacted on January 4, 2014.

Sincerely,



Larry Aulich
Senior Product Manager
Mueller Company