



# Botanical Study™ Caxton®

Under-mount Bathroom Sink  
K-14218-BT

## Features

- Vitreous china.
- Under-mount.
- Deep oval basin.
- Without overflow.
- No faucet holes; requires wall- or counter-mount faucet.
- KOHLER Artist Editions designs.
- Botanical Study design.
- 17" (432 mm) x 14" (356 mm)

## Recommended Accessories

K- 9018 P-Trap

## Components

Additional included component/s: Basin clamp assembly.



ADA

## Codes/Standards

ASME A112.19.2/CSA B45.1  
ADA  
ICC/ANSI A117.1


## KOHLER® One-Year Limited Warranty

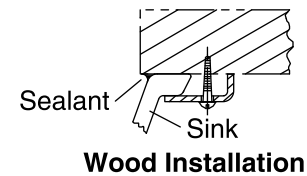
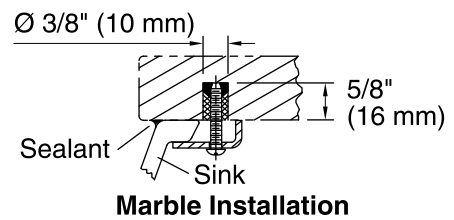
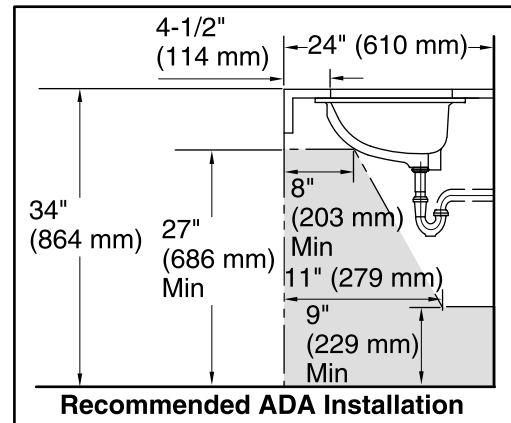
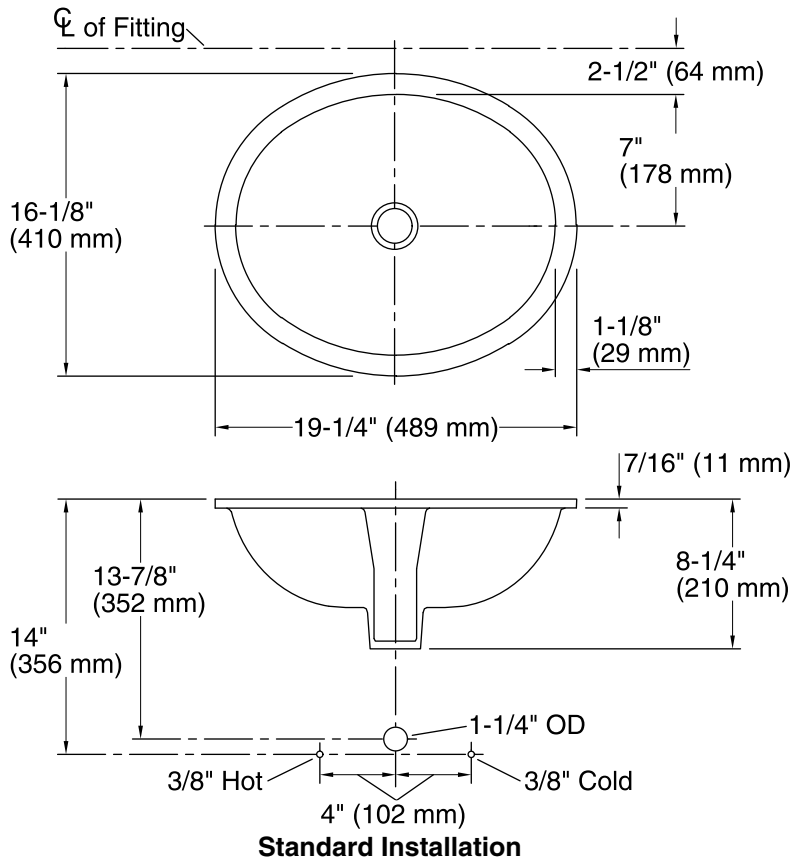
See website for detailed warranty information.

## Available Color/Finishes

*Color tiles intended for reference only.*

Color	Code	Description
-------	------	-------------

	0	White
--	---	-------



### Technical Information

All product dimensions are nominal.

- Bowl configuration: Single
- Installation: Under-mount
- Bowl area (Only): Length: 17" (432 mm)  
Width: 14" (356 mm)  
Water depth: 6-3/8" (162 mm)
- Drain hole: 1-3/4" (44 mm)
- Template: Under-mount, 1151011-7, required, included

### Notes

Install this product according to the installation guide.

**NOTICE:** Countertop manufacturer or cutter must use the cut-out template provided with the product, or a current one provided by Kohler Co. (call 1-800-4-KOHLER). Kohler Co. is not responsible for cutout errors when the incorrect cut-out template is used.

ADA compliant when installed to the specific requirements of these regulations.