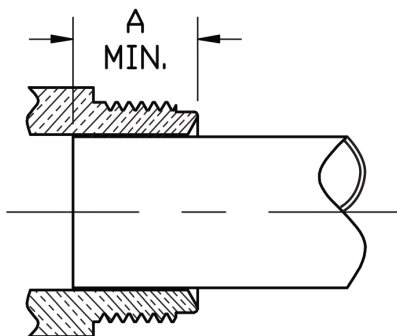


### Installation without Pipe Stop

This fitting is made without a mechanical stop to position the pipe or tubing when it is inserted into the connection. Ensure the pipe or tubing is inserted as shown in the following illustration to the depth given in the chart.



Pipe/Tubing Insertion Depth		
Connection Type	Size	Dim. A
CTS	1/2"	11/16"
	5/8"	3/4"
	3/4"	3/4"
	1"	7/8"
	1-1/4"	1-1/8"
	1-1/2"	1-3/16"
	2"	1-1/4"
IPS	3/4"	1"
	1"	3/4"
	1-1/4"	1-7/16"
	1-1/2"	1-7/16"
	2"	1-1/2"

### Phone: (800) 423-1323

By deviating from the above listed instructions, you will void any product warranty and release Mueller Co. and its affiliated entities from any and all liability associated with the installation or use of this product. For details on the product's warranty, terms, and conditions, please visit [www.muellercompany.com](http://www.muellercompany.com).