

FAUCET DESCRIPTION

- Brass construction with chrome plated finish
- 4" centerset
- 1/2" IPS connections
- Garden hose threaded spout

OPERATION

- Lever style handles with hot and cold color indicators
- Vandal resistant torx head screws


FLOW

- Unrestricted

CARTRIDGE

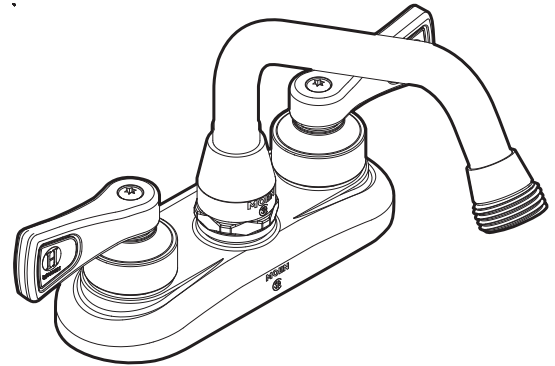
- Brass shell, ceramic disc cartridge
- 1/4 turn operation

STANDARDS

- Third party certified to meet ASME A112.18.1/CSA B-125.1 and all applicable specifications referenced therein
- Certified to NSF 61/9
- Complies with California Proposition 65 and with the Federal Safe Drinking Water Act
- **ADA**  for lever handles

WARRANTY

- Warranted for five years against material or manufacturing defects

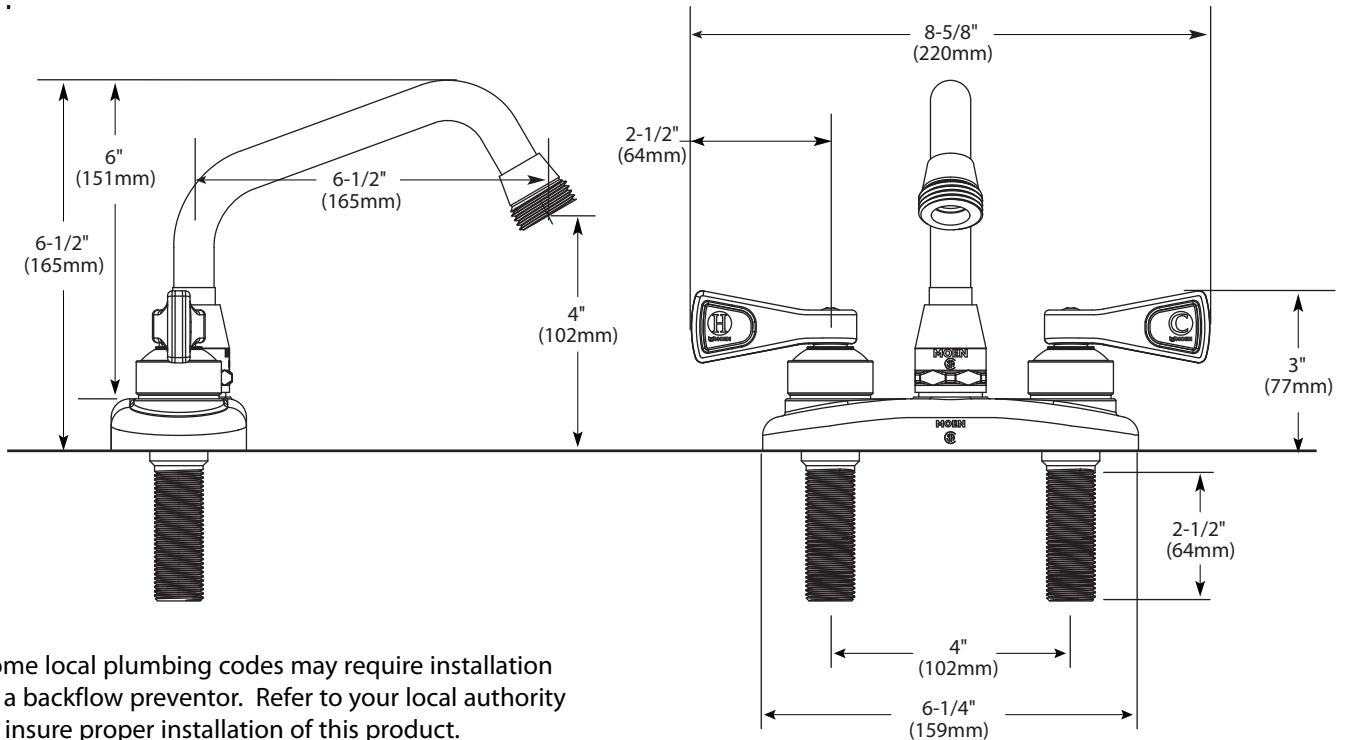


Two-Handle Utility Faucet

Model: 8277



NOTE: Designed to be installed through 2 holes - 1" min. dia.



Some local plumbing codes may require installation of a backflow preventor. Refer to your local authority to insure proper installation of this product.

CRITICAL DIMENSIONS

(DO NOT SCALE)