

# MAIN ROOF DRAIN

868 series

## SPECIFICATION

Sioux Chief 868 Series cast iron main roof drains shall be used where necessary in drainage systems. Roof Drain shall have a low-profile enamel coated cast iron dome strainer, and cast iron gravel guard. Strainer shall turn-to-lock into gravel guard. Cast iron drain body shall have no-hub connection.

## MATERIALS

*dome strainer:* enamel-coated cast iron  
*gravel guard:* enamel-coated cast iron  
*drain body:* enamel-coated cast iron

## STRAINER FREE AREA

75.75 square inches

## CONNECTION TYPE

cast iron no-hub

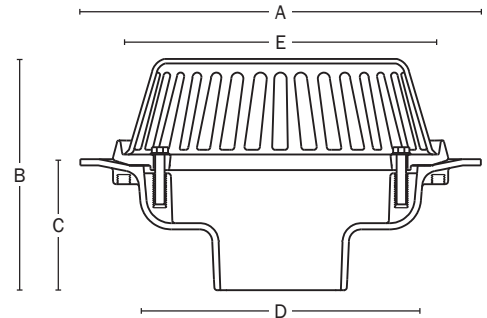
## DIMENSIONS

A: flange diameter	15"
B: overall height	9.5"
C: body height	5"
D: body diameter	11.5"
E: gravel guard diameter	13.625"

Item # Submitted _____
Job Name _____
Location _____
Engineer _____
Contractor _____
PO# _____ TAG _____



868-1504



Create Item Number

## 868-AB

e.g. 868-1504US = 4" cast iron no-hub main roof drain with cast iron dome strainer, underdeck clamp, and sump receiver

<u>A</u>	CONNECTION SIZE	<u>B</u>	OPTIONS	ACCESSORIES
<input type="checkbox"/> 1503	3" no-hub	<input type="checkbox"/> U	underdeck clamp kit	<input type="checkbox"/> 868-15U Underdeck clamp kit: two-piece cast iron clamping plate with hardware
<input type="checkbox"/> 1504	4" no-hub	<input type="checkbox"/> S	sump receiver	<input type="checkbox"/> 868-15S Sump receiver: 24" x 24" x 16-gauge galvanized steel
<input type="checkbox"/> 1506	6" no-hub	<input type="checkbox"/> W	external water dam	<input type="checkbox"/> 868-15WD External water dam: 2" high, cast iron external water dam
<input type="checkbox"/> 1508	8" no-hub	<input type="checkbox"/> E	adjustable extension kit	<input type="checkbox"/> 868-15EXT Adjustable extension assembly kit