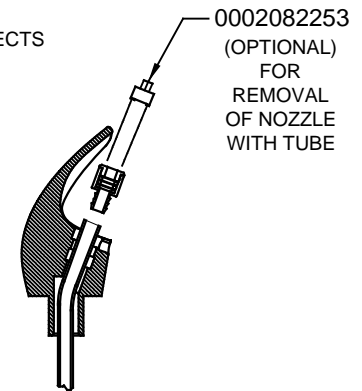
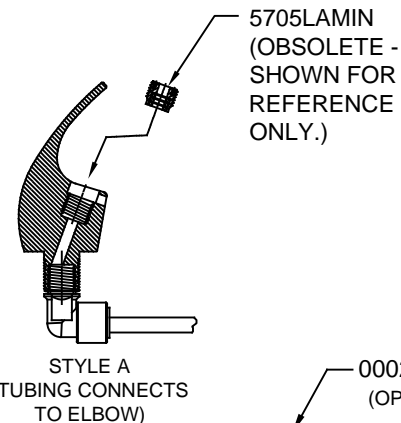
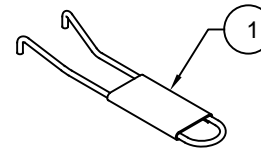
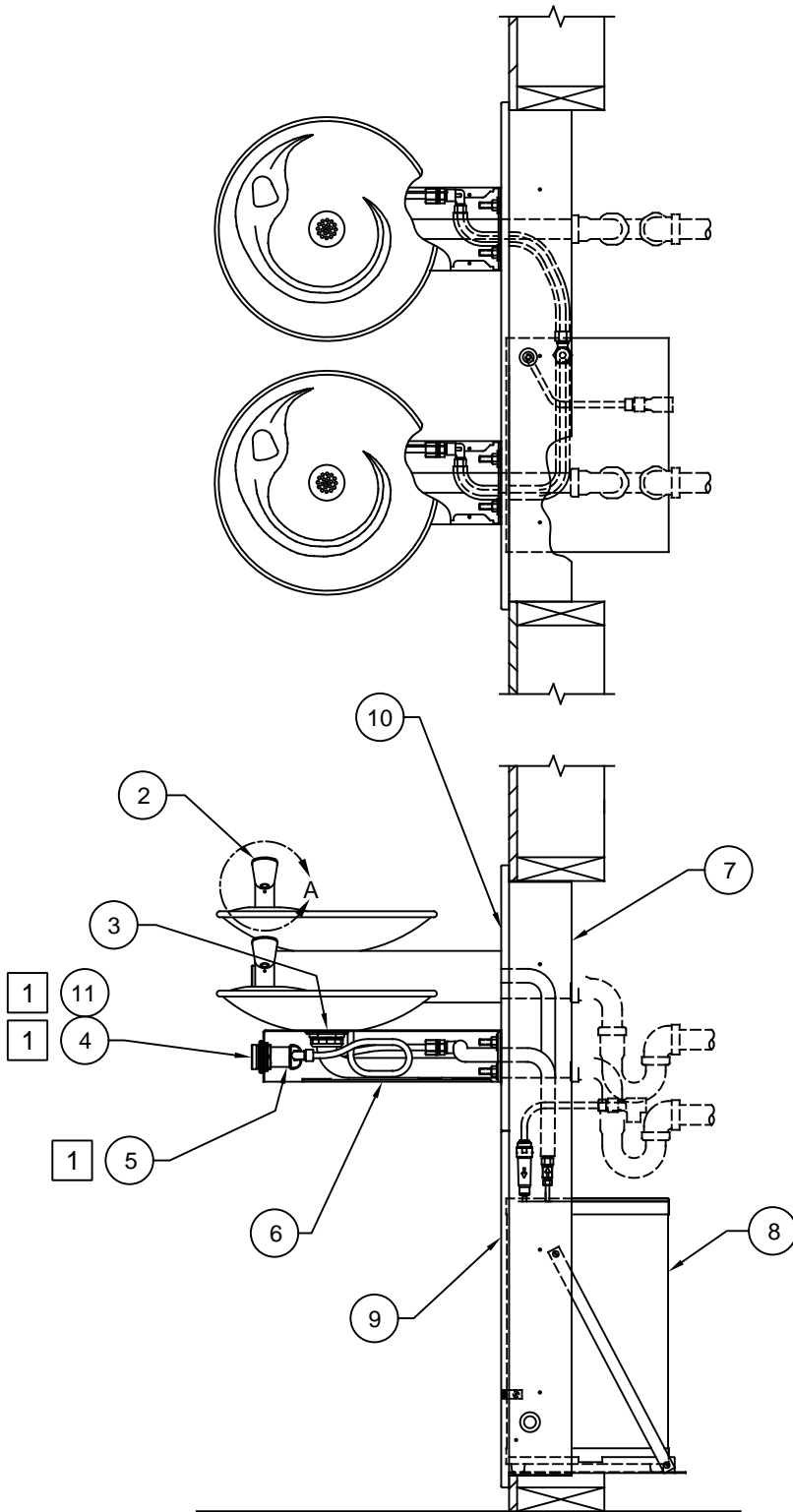


NOTES:

1 5874PBF (ITEM 5) INCLUDES VRK5874 CARTRIDGE ASSEMBLY (ITEM 11) AND PBA6 FLANGED PUSH BUTTON (ITEM 4).

MODEL		DESCRIPTION
ITEM	H1011.8	H1011.8HPS
1	0006983506	0006983506 SPANNER WRENCH
2	5705	5705 BUBBLER HEAD W/INSERT (STYLE A OR STYLE B)
3	6463	6463PCP STRAINER ASSY
4	PBA6	PBA6 PUSH BUTTON, FLANGED
5	5874PBF	5874PBF PUSH BUTTON W/VALVE
6	PBM1000	PBM1000 ACCESS PLATE
** 7	MTGFR.LG	MTGFR.LG MOUNTING FRAME
8	HCR8	HCR8 CHILLER
9	0002626651	0002626665 GRILLE
10	0004012000	0004012023 BACK PANEL
11	VRK5874	VRK5874 VALVE REPAIR KIT

** REQUIRED - SOLD SEPARATELY



STYLE B
(TUBING CONNECTS TO INSERT ASSY)

FOUNTAIN COULD HAVE EITHER STYLE

**DETAIL A
ROTATED 90° INTO VIEW**

PARTS BREAKDOWN

WHEN ORDERING PARTS PLEASE SPECIFY MODEL NUMBER.

		1455 KLEPPE LANE SPARKS, NEVADA 89431 (775) 359-4712 FAX (775) 359-7424 E-MAIL: HAWS@HAWS.CO.COM WEBSITE: WWW.HAWS.CO.COM		
ECN NO.	REVISED PER	BY	MODEL(S)	PART NUMBER
	ECN: 5527	FV	H1011.8/H1011.8HPS	0002080249
DRAWN	DATE	CHKD		REVISION
RTM	11/21/99	DP		22
APPROVED	DATE		SCALE: 1:15	DRAWING TYPE: PARTS BREAKDOWN
FV	04/02/20			SIZE: A SHEET 1 OF 1