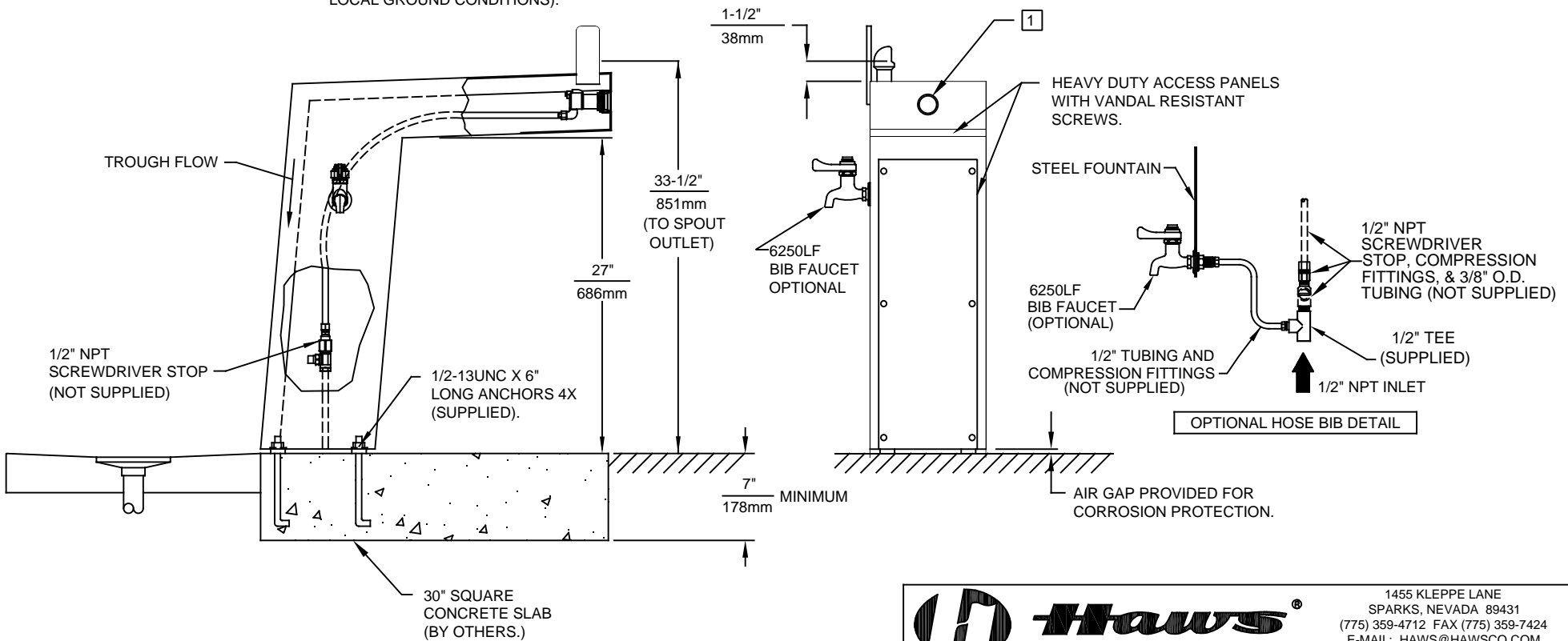


**MOUNTING DETAIL**

**IMPORTANT: ATTENTION INSTALLER**

USE CARE TO AVOID KINKS WHEN ROUTING SUPPLY LINE TO VALVE AND FROM VALVE TO BUBBLER



**NOTES:**

1 REFER TO 5874 SERIES OPERATION AND MAINTENANCE MANUAL FOR PUSH BUTTON AND VALVE INSTALLATION/MAINTENANCE INSTRUCTIONS.

1455 KLEPPE LANE  
SPARKS, NEVADA 89431  
(775) 359-4712 FAX (775) 359-7424  
E-MAIL: HAWS@HAWSCO.COM  
WEBSITE: WWW.HAWSCO.COM

ECN NO.	REVISED PER	BY:	MODEL(S)		PART NUMBER
	ECN: 5265	JP			0002077328.D
DRAWN:	DATE:	CHKD.:			REVISION
C. HAYES	11/91	GC			25
APPROVED:	DATE:		SCALE: 1:14	DRAWING TYPE: INSTALLATION	SHEET 1 OF 1
FV	02/23/18				