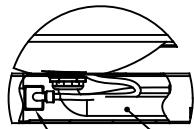
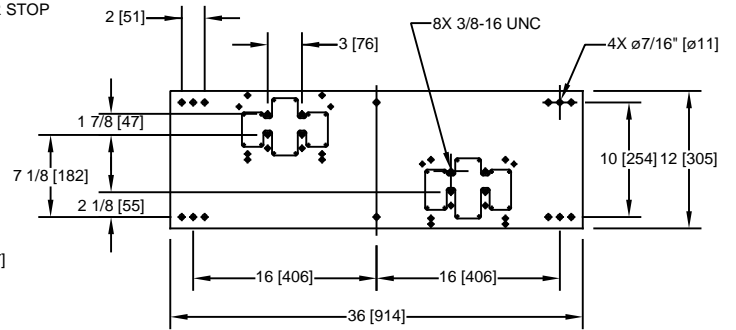
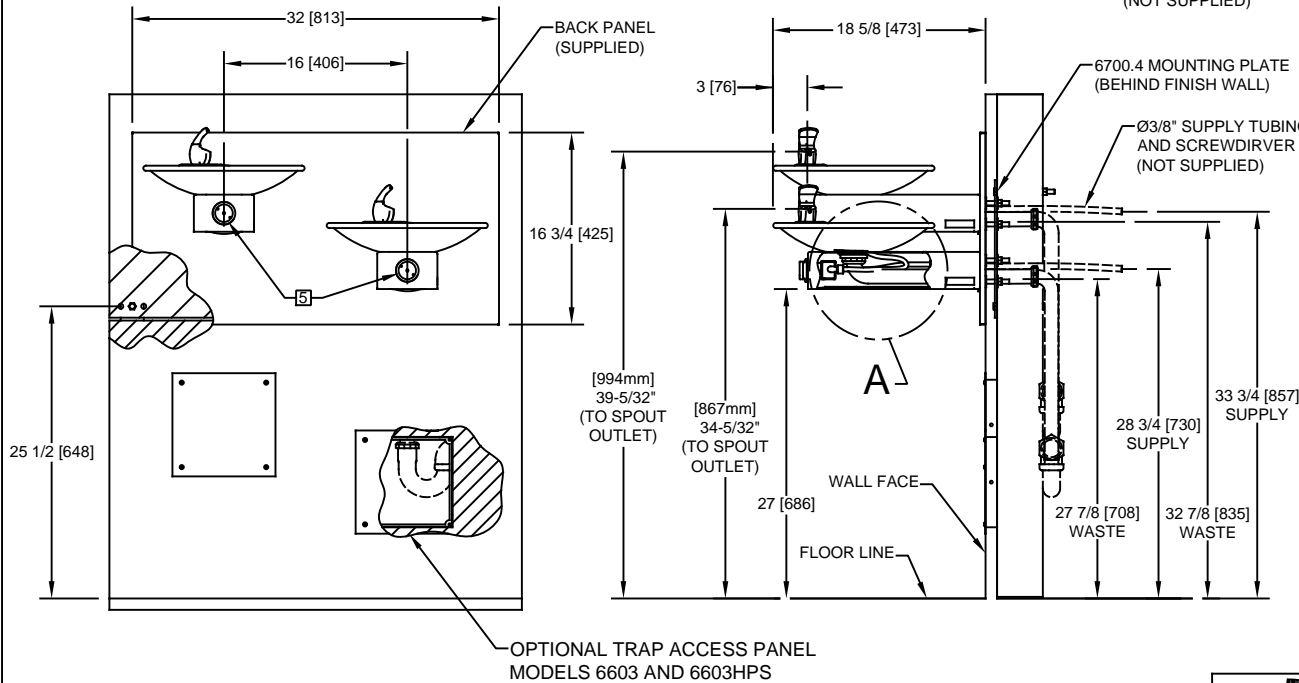
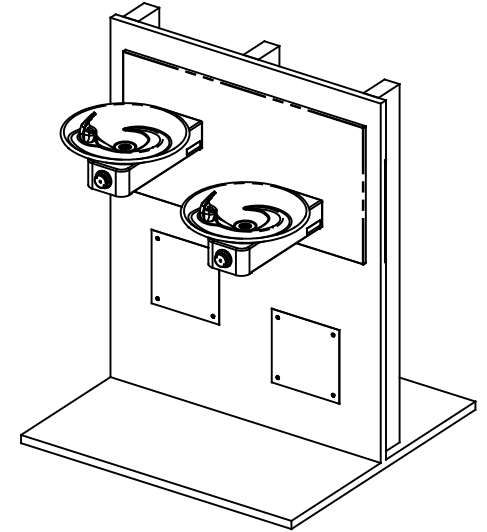
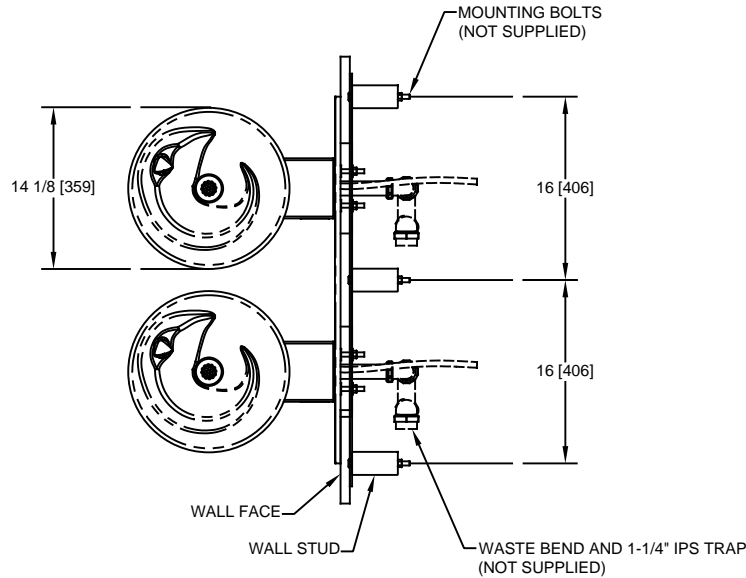


NOTES:

1. HOLD ROUGH-IN DIMENSIONS  $\pm 1/8"$  (3.2mm).
2. WHEN INSTALLING THIS UNIT, LOCAL, STATE, OR FEDERAL CODES SHOULD BE ADHERED TO FOR INSTALLATION DIMENSIONS (LOCATIONS), WASTE AND SUPPLY REQUIREMENTS OTHER THAN SHOWN.
3. INSTALLER MUST PROVIDE TRAP FOR PROPER INSTALLATION.
4. REMOVE VALVE FROM PUSH BUTTON TO INSTALL WASTE ELBOW ONTO BOWL. AFTER WASTE ELBOW IS INSTALLED, REINSTALL VALVE AND ADJUST FLOW.
5. REFER TO 5874 SERIES OPERATION AND MAINTENANCE MANUAL FOR PUSH BUTTON AND VALVE INSTALLATION/MAINTENANCE INSTRUCTIONS.



DETAIL A  
SCALE 1 : 12  
1-1/4" O.D. WASTE BEND (SUPPLIED)



**6700.4 MOUNTING PLATE  
MUST BE INSTALLED BEFORE FINISH WORK.  
THIS PLATE IS REQUIRED - SOLD SEPARATELY.**



1455 KLEPPE LANE  
SPARKS, NEVADA 89431  
(775) 359-4712 FAX (775) 359-7424  
E-MAIL: HAWS@HAWSCO.COM  
WEBSITE: WWW.HAWSCO.COM

|           |             |        |               |              |
|-----------|-------------|--------|---------------|--------------|
| ECN NO.   | REVISED PER | BY:    | MODEL(S)      | PART NUMBER  |
|           | ECN: 5530   | FV     |               | 0002076520.D |
| DRAWN:    | DATE:       | CHKD.: | 1011/1011HPS  | REVISION     |
| RM        | 05/98       | DP     |               | 21           |
| APPROVED: | DATE:       | SCALE: | DRAWING TYPE: | SHEET 1 OF 1 |
| NE        | 03/26/20    | 1:1    | INSTALLATION  |              |