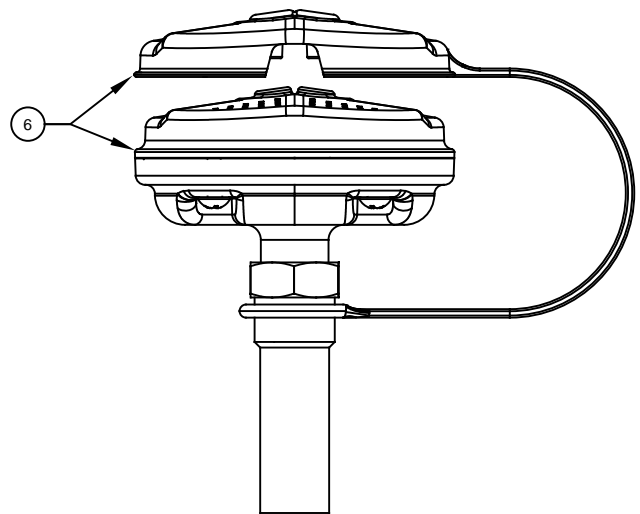
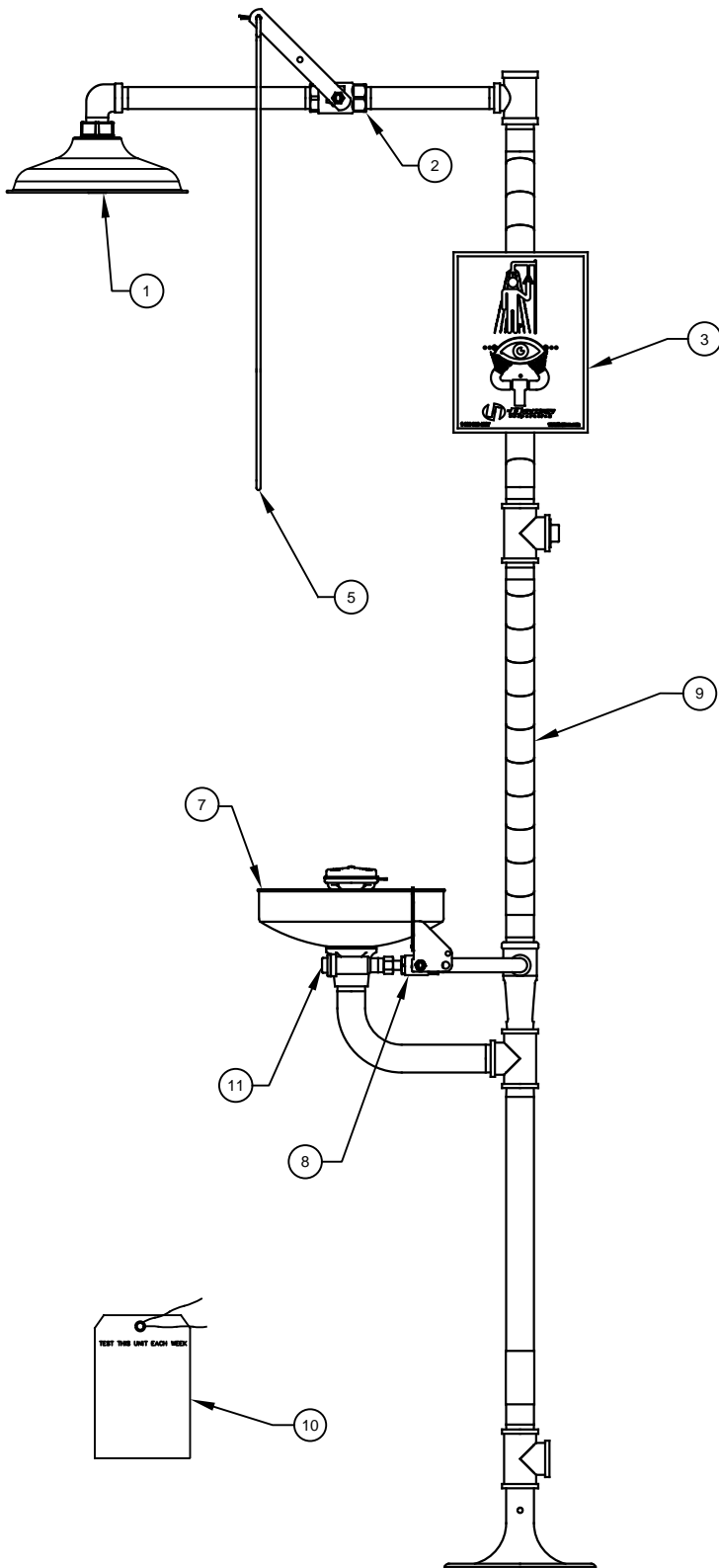


PARTS BREAKDOWN

OPTIONAL


ITEM	DESCRIPTION	PART NO.
1	SHOWER HEAD	SP829
2	VALVE ASSEMBLY	SP260
3	SHOWER SIGN	SP178
4	FOOT TREADLE (NOT SHOWN)	SP220
5	PULL ROD	SP200
6	EYE/FACE WASH ASSY	SP65
7	SS BOWL	SP90
8	VALVE ASSEMBLY	SP225
9	STRIPE TAPE	SP185
10	TEST TAG	SP170
11	L-STRAINER	SP509
--	STR. REPAIR KIT	VRKEWSTR



SP65 EYE/FACE WASH ASSEMBLY

NOTE: MODEL 8300CRP/8309CRP HAS CORROSION RESISTANT COATING ON ALL EXPOSED PIPING.

WHEN ORDERING PARTS PLEASE SPECIFY MODEL NUMBER.

 Haws®			1455 KLEPPE LANE SPARKS, NEVADA 89431 (775) 359-4712 FAX (775) 359-7424 E-MAIL: HAWS@HAWS.CO.COM WEBSITE: WWW.HAWS.CO.COM		
			ECN NO. REVISED PER BY ECN: 5497 FV	MODEL(S) 8300-8309/8300CRP-8309CRP	PART NUMBER 0002080162
DRAWN CLF	DATE 03/10/93	CHKD DP	REVISION 25		
APPROVED NE	DATE 01/14/20	SCALE: NA	DRAWING TYPE: PARTS BREAKDOWN	SIZE: A	SHEET 1 OF 1