



AXION® MSR Corrosion Resistant Shower and Eye/Face Wash

model 8336

FEATURES & BENEFITS

CONSTRUCTION

2-1/2" green epoxy finished Schedule 80 PVC pipe stanchion offer an added protection in highly corrosive environments.

QUALITY CONTROL

Entire unit is pre-built and pressure tested to ensure a leak free installation.

VALVES

Type 316 Stainless Steel eyewash and shower ball valves are designed to make the flushing of fluid occur with the simple pull of a lever or push of a stainless steel flag, and come equipped with a stainless steel ball and stem to provide greater protection against corrosion and breakage.

SHOWERHEAD

AXION® MSR ABS plastic drench showerhead uses a hydrodynamic design to give equal distribution of water throughout the entire footprint of flow.

EYE/FACE WASH

AXION® MSR eye/face wash head uses an inverted directional laminar flow to sweep contaminants away from the vulnerable nasal cavity.

OPTIONS

- Thermostatic Mixing Valve:** Model 9201E AXION® Emergency Tempering Valve thermostatically mixes hot and cold water to provide a safe fluid supply for emergency showers and eyewash equipment, with a flow rate of 31 gpm (117.3 L).
- Emergency Alarm System:** Model 9001, 1-1/4" 120 VAC emergency alarm and light system. Buzzer and flashing light are activated by an 1-1/4" double pole, double throw flow switch.
- AXION® MSR Showerhead:** Model SP829SS, AXION® MSR stainless steel drench showerhead with integral 20 gpm (75.7 L) flow control.
- ANSI Shower and Eyewash Testing Kit:** Model 9011 ANSI compliance test kit.

For more information, visit www.hawsc.com or call (888) 640-4297.



SPECIFICATIONS

Model 8336 corrosion-resistant PVC plastic combination shower and eye/face wash shall include an AXION® MSR eye/face wash head shall feature inverted directional laminar flow which achieves Zero Vertical Velocity™ supplied by an integral 3.7 gpm flow control. Unit shall also include the AXION MSR hydrodynamic designed ABS plastic showerhead with 20 gpm flow control. The unit shall also include an ABS plastic 11" (27.9 cm) round bowl, stainless steel shower and eyewash ball valves equipped with stainless steel ball and stem, green epoxy finish, schedule 80 PVC 2 1/2" floor flange, schedule 80 PVC plastic vertical piping, universal sign, 1-1/4" IPS supply, and 1-1/2" slip waste.

APPLICATIONS

Where the eyes, or body of any person may be exposed to injurious or corrosive materials, suitable facilities for quick drenching or flushing of the eyes and body shall be provided within the work area for immediate emergency use. Emergency eyewash facilities and deluge showers shall be in unobstructed and accessible locations that require no more than 10 seconds for the injured person to reach. Model 8336 is certified by CSA to meet the ANSI Z358.1 Standard for Emergency Eyewash and Shower Equipment.

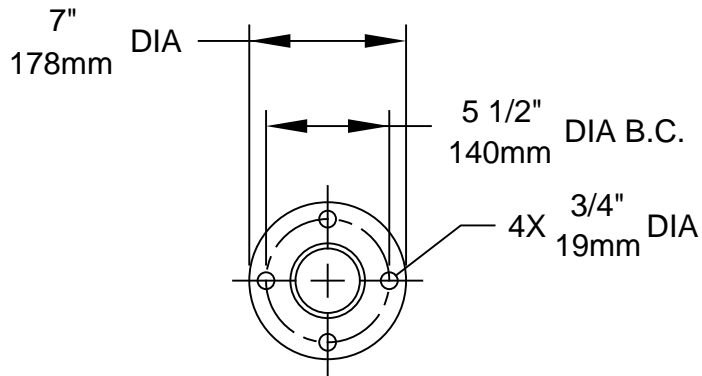


NOTES:

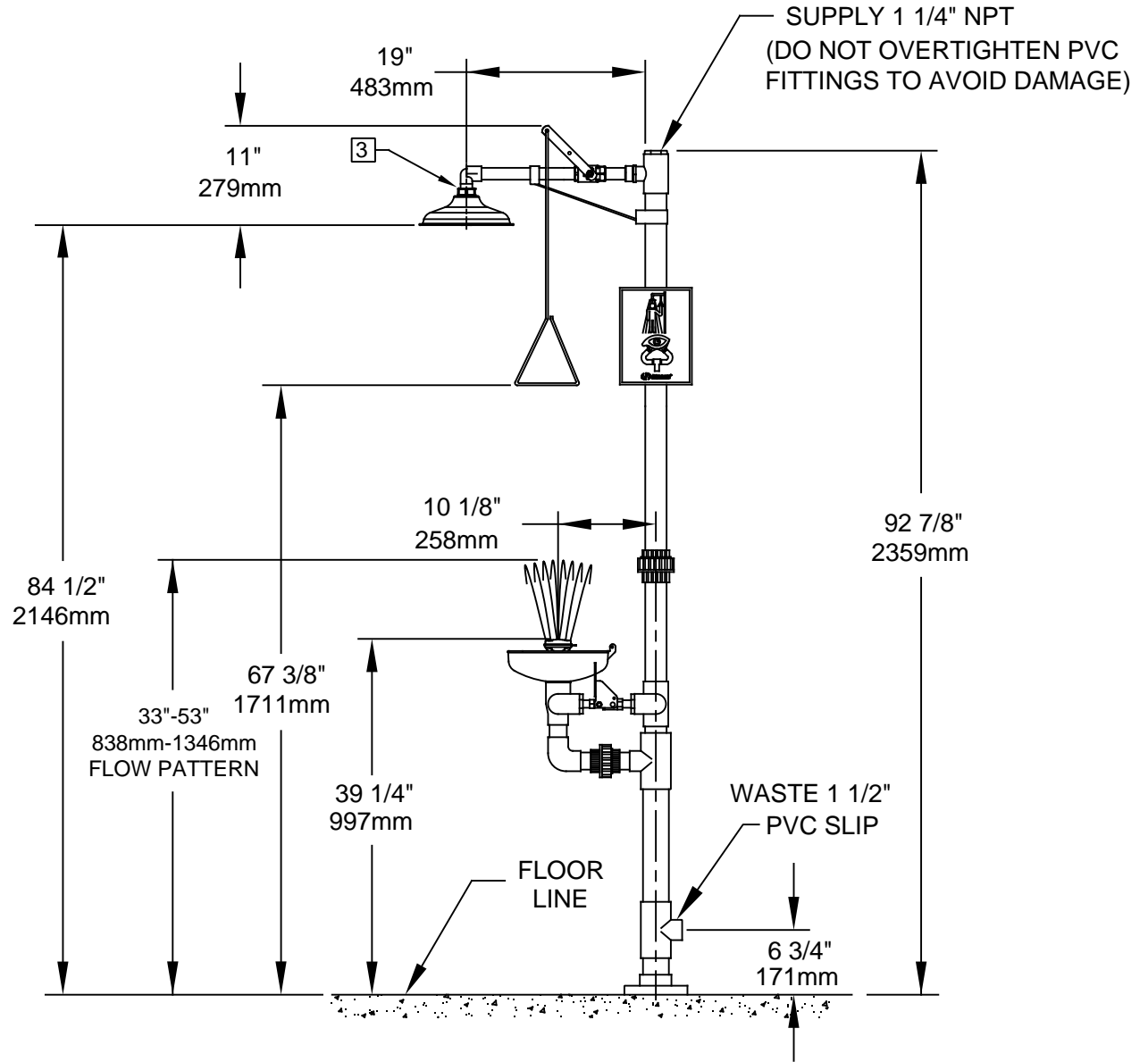
1. WHEN INSTALLING THIS UNIT, LOCAL, STATE, OR FEDERAL CODES SHOULD BE ADHERED TO FOR INSTALLATION DIMENSIONS (LOCATIONS), WASTE AND SUPPLY REQUIREMENTS OTHER THAN SHOWN.
2. TO COMPLY WITH ANSI Z358.1-2014 FOR EMERGENCY EYEWASH OR EYE/FACE WASH:
 - EYEWASH OR EYE/FACE WASH SHALL BE POSITIONED SUCH THAT FLUSHING FLUID PATTERN IS NOT LESS THAN 33" (838mm) AND NO GREATER THAN 53" (1346mm) FROM SURFACE ON WHICH USER STANDS; AND 6.0" (153mm) MINIMUM FROM WALL OR NEAREST OBSTRUCTION.
 - SHOWER SHALL BE POSITIONED SUCH THAT SHOWER HEAD IS NOT LESS THAN 82" (2083mm) OR GREATER THAN 96" (2438mm) FROM SURFACE ON WHICH USER STANDS.
 - SHOWER SPRAY PATTERN SHALL HAVE A MINIMUM DIAMETER OF 20" (508mm) AT 60" (1524mm) ON WHICH USER STANDS. CENTER OF SPRAY PATTERN SHALL BE LOCATED AT LEAST 16" (406mm) FROM NEAREST OBSTRUCTION.

3 DO NOT USE REGULAR PIPE SEALANT. IF NECESSARY USE DOW CORNING 832 SEALANT PLACING FIVE SMALL BEADS ON MALE THREADS, JUST ABOVE THE FIRST THREAD.

4. DIMENSIONS MAY VARY BY ±1/2" (13 mm).



MOUNTING PATTERN



		Haws [®]		1455 KLEPPE LANE	
				SPARKS, NEVADA 89431	
ECN NO. REVISED PER BY:		MODEL(S)		PART NUMBER	
DRAWN: DATE: CHK D.:		8336		0002080175.D	
APPROVED: DATE:		CORROSION RESISTANT COMBO UNIT		REVISION	
FV 11/23/17		SCALE: 1:18 DRAWING TYPE: INSTALLATION		18	
		SIZE: A		SHEET 1 OF 1	