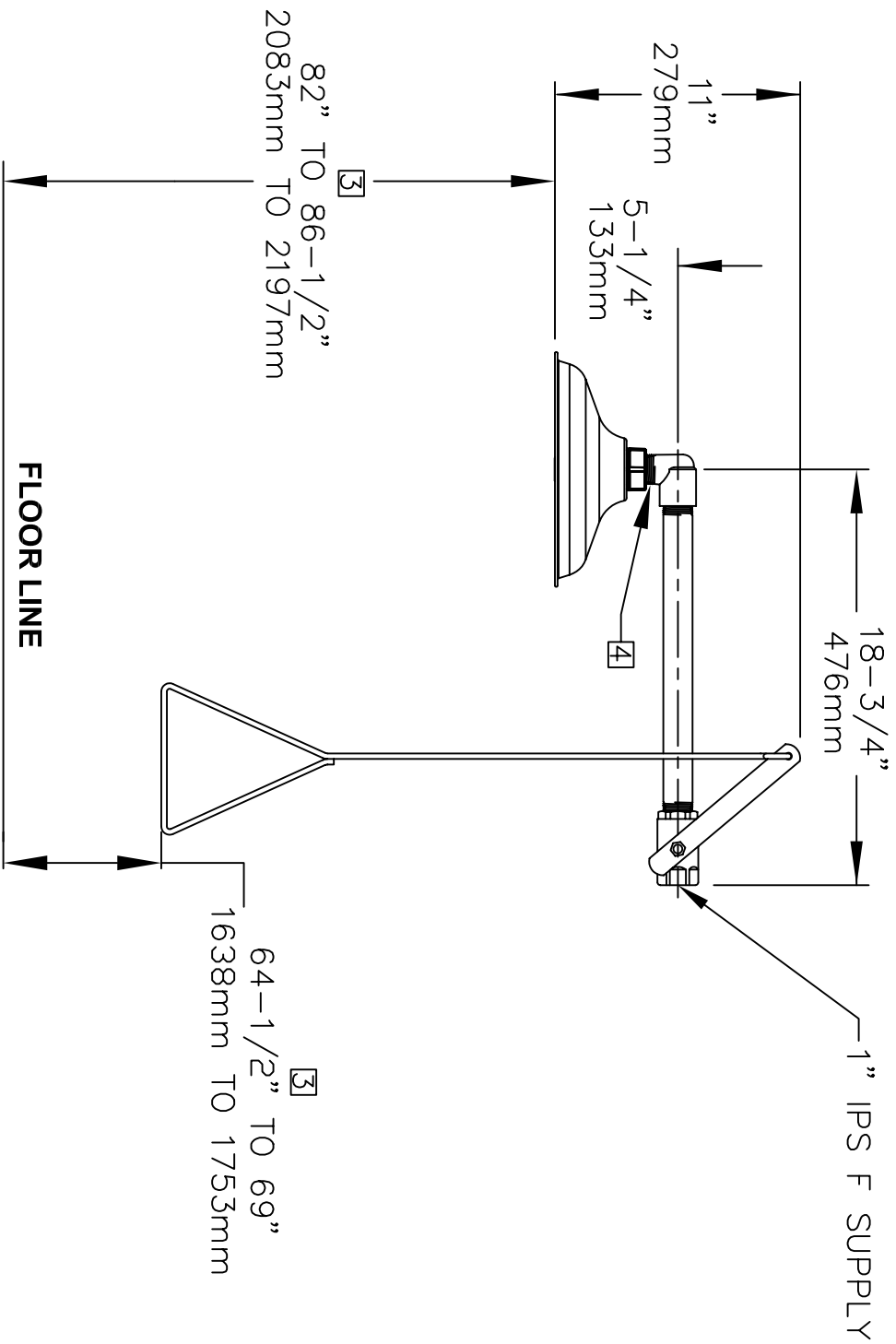


HORIZONTAL SUPPLY (STANDARD)



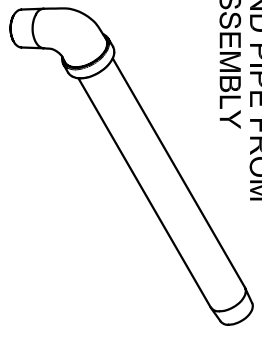
NOTES:

1. DIMENSIONS MAY VARY BY ± 1/2 INCH [13mm].
2. TO COMPLY WITH ANSI Z358.1-2009 FOR EMERGENCY EYEWASH OR EYE/FACE WASH AND SHOWER EQUIPMENT:
 - UNIT SHALL BE INSTALLED IN ACCORDANCE WITH MANUFACTURER'S INSTRUCTIONS AND ACCEPTABLE PLUMBING PRACTICES.
 - SHOWER SHALL BE POSITIONED SO THAT SHOWER HEAD IS NOT LESS THAN 208.3 CM (82 IN.) NOR MORE THAN 243.8 CM (96 IN.) FROM SURFACE ON WHICH USER STANDS.
 - SHOWER SPRAY PATTERN SHALL HAVE A MINIMUM DIAMETER OF 50.8 CM (20 IN.) AT 152.4 CM (60 IN.) ABOVE SURFACE ON WHICH USER STANDS, AND CENTER OF SPRAY PATTERN SHALL BE LOCATED AT LEAST 40.6 CM (16 IN.) FROM ANY OBSTRUCTION.
3. FOLLOWING THESE DIMENSIONS WILL AUTOMATICALLY PROVIDE ADHERENCE TO ANSI REQUIREMENTS STATED ABOVE.
4. DO NOT USE REGULAR PIPE SEALANT. IF NECESSARY USE DOW CORNING 832 SEALANT PLACING 5 SMALL BEADS ON THE MALE THREADS, JUST ABOVE THE FIRST THREAD.

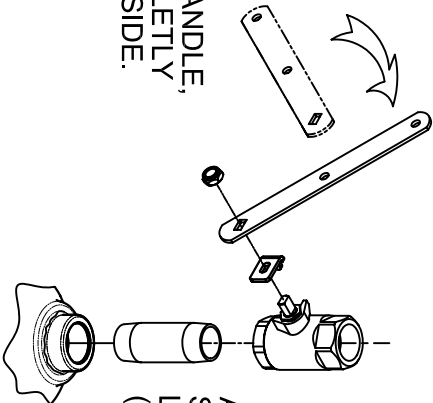
Haws Corporation		1455 KLEPPE LANE	
SPARKS, NEVADA 89431		(775) 359-4712 FAX (775) 359-7424	
E-MAIL: HAWS@HAWS.CO.COM		WEBSITE: WWW.HAWS.CO.COM	
FORM NO. 09426A00	REV. 14	MODEL(S): 8130 DRENCH SHOWER	INFO FAX DOC #: 281304
DATE: 5/27/91	APPROVER:	DATE: 5/27/91	DATE: 5/27/91
SIZE: A	SHEET: 1 OF 2		

FOR VERTICAL SUPPLY (RECONFIGURE AS SHOWN)

REMOVE ELBOW AND PIPE FROM ASSEMBLY



REMOVE HANDLE, FLIP COMPLETELY TO OTHER SIDE. REATTACH.



ASSEMBLE SHORTER 2" LONG NIPPLE (SUPPLIED)

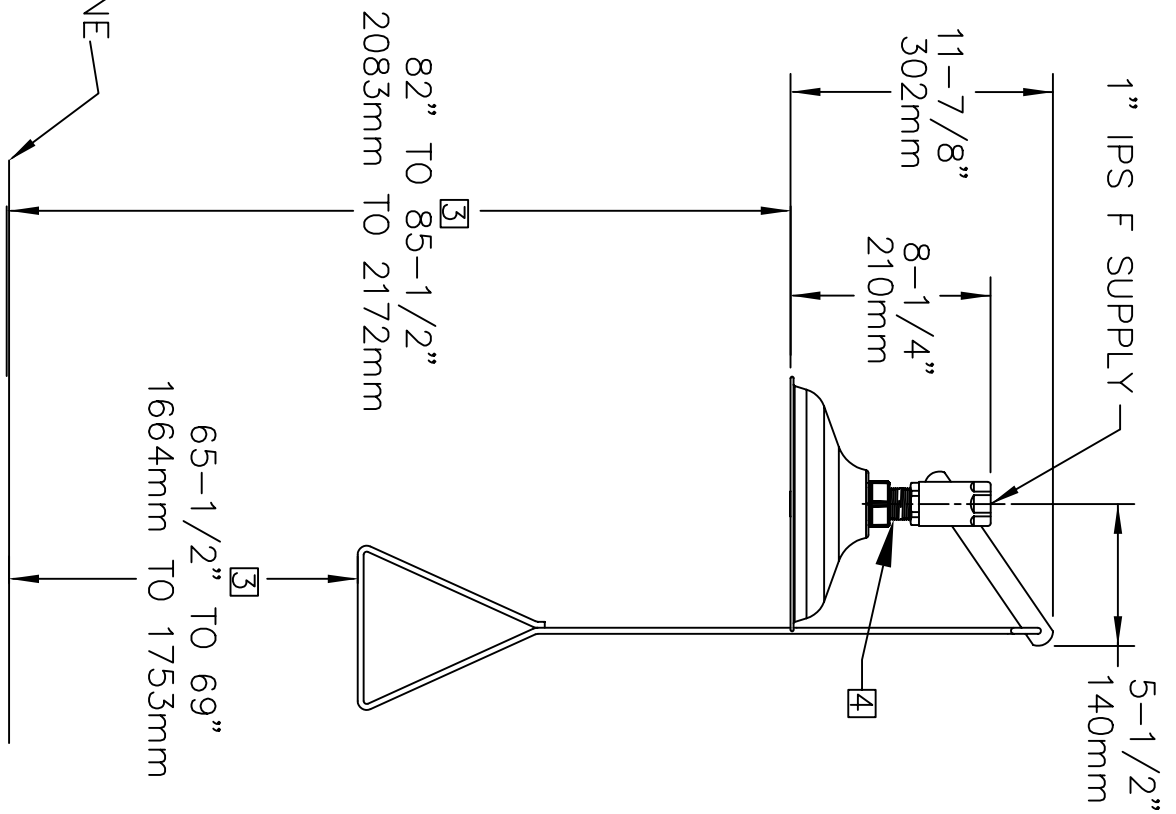
SHOWER HEAD

FLOOR LINE

- NOTES:
1. DIMENSIONS MAY VARY BY ± 1/2 INCH (13mm).

2. TO COMPLY WITH ANSI Z353.1-2009 FOR EMERGENCY EYEWASH OR EYEFACE WASH AND SHOWER EQUIPMENT:
 - UNIT SHALL BE INSTALLED IN ACCORDANCE WITH MANUFACTURER'S INSTRUCTIONS AND ACCEPTABLE PLUMBING PRACTICES.
 - SHOWER SHALL BE POSITIONED SO THAT SHOWER HEAD IS NOT LESS THAN 208.3 CM (82 IN.) NOR MORE THAN 243.3 CM (96 IN.) FROM SURFACE ON WHICH USER STANDS.
 - SHOWER SPRAY PATTERN SHALL HAVE A MINIMUM DIAMETER OF 50.8 CM (20 IN.) AT 152.4 CM (60 IN.) ABOVE SURFACE ON WHICH USER STANDS, AND CENTER OF SPRAY PATTERN SHALL BE LOCATED AT LEAST 40.6 CM (16 IN.) FROM ANY OBSTRUCTION.

3. FOLLOWING THESE DIMENSIONS WILL AUTOMATICALLY PROVIDE ADHERENCE TO ANSI REQUIREMENTS STATED ABOVE.
4. DO NOT USE REGULAR PIPE SEALANT. IF NECESSARY USE DOW CORNING 832 SEALANT PLACING 5 SMALL BEADS ON THE MALE THREADS. JUST ABOVE THE FIRST THREAD.



1455 KLEPPE LANE
SPARKS, NEVADA 89431
(775) 359-4712 FAX (775) 359-7424
E-MAIL: HAWS@HAWS.CO.COM
WEBSITE: WWW.HAWS.CO.COM

EQ# NO.:	78585928	HR#:	MODELS:	8130 DRENCH SHOWER	DATE:	5/27/91	DATE:	281304	INSTALLATION/EXHIBIT:
DATE:	5/27/91	DATE:	281304	INSTALLATION/EXHIBIT:	DATE:	5/27/91	DATE:	281304	INSTALLATION/EXHIBIT:
DATE:	5/27/91	DATE:	281304	INSTALLATION/EXHIBIT:	DATE:	5/27/91	DATE:	281304	INSTALLATION/EXHIBIT:
DATE:	5/27/91	DATE:	281304	INSTALLATION/EXHIBIT:	DATE:	5/27/91	DATE:	281304	INSTALLATION/EXHIBIT:
DATE:	5/27/91	DATE:	281304	INSTALLATION/EXHIBIT:	DATE:	5/27/91	DATE:	281304	INSTALLATION/EXHIBIT: