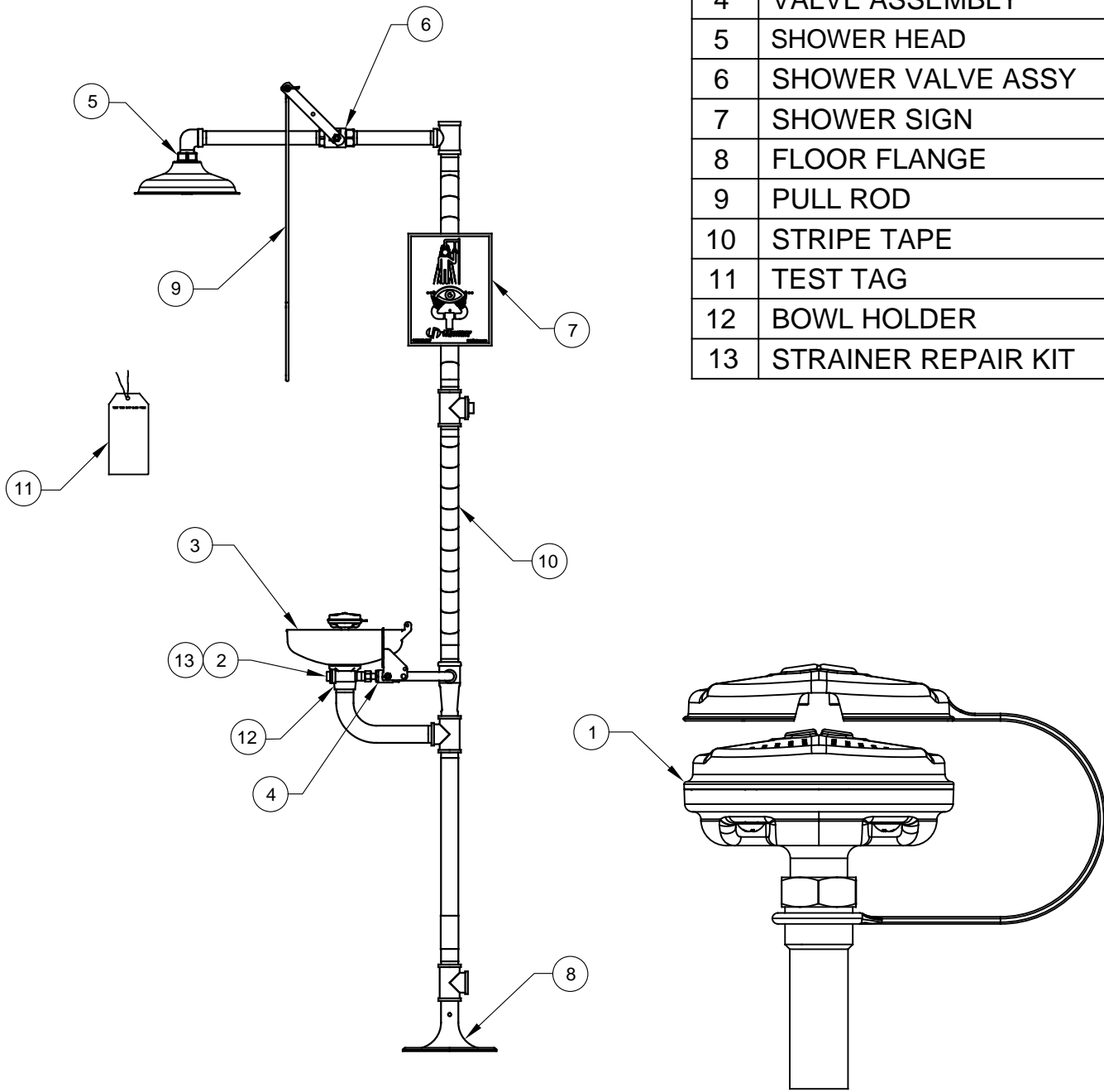


ITEM	DESCRIPTION	PART NO.
1	EYE/FACE WASH ASSY	SP65
2	L-STRAINER	SP509
3	BOWL	SP93
4	VALVE ASSEMBLY	SP225
5	SHOWER HEAD	SP829
6	SHOWER VALVE ASSY	SP260
7	SHOWER SIGN	SP178
8	FLOOR FLANGE	SP75
9	PULL ROD	SP200
10	STRIPE TAPE	SP185
11	TEST TAG	SP170
12	BOWL HOLDER	0003049570
13	STRAINER REPAIR KIT	VRKEWSTR



SP65 EYE/FACE WASH ASSEMBLY

PARTS BREAKDOWN

WHEN ORDERING PARTS PLEASE SPECIFY MODEL NUMBER.

 Haws [®]		1455 KLEPPE LANE SPARKS, NEVADA 89431 (775) 359-4712 FAX (775) 359-7424 E-MAIL: HAWS@HAWSCO.COM WEBSITE: WWW.HAWSCO.COM	
		ECN NO. REVISED PER BY ECN: 5497 DP	MODEL(S) 8320-8325/8320CRP
DRAWN CLF DATE 03/12/93 CHKD	APPROVED NE DATE 01/14/20	DRAWING NO. A REV 22	SCALE: 1:1 DRAWING TYPE: PARTS BREAKDOWN SIZE: A SHEET 1 OF 1