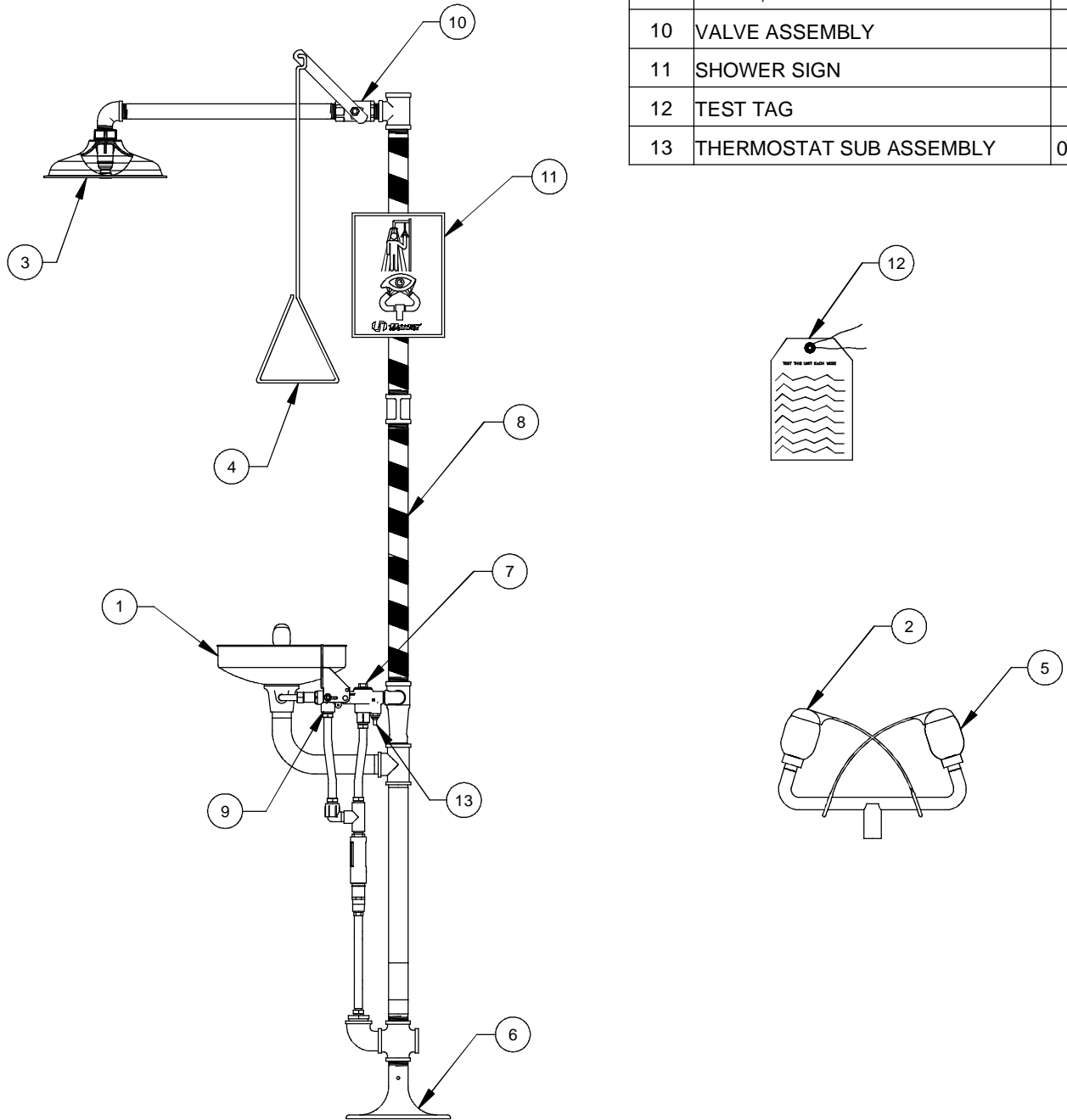


THIS DOCUMENT IS TRUE AND CORRECT AT TIME OF PUBLICATION. CONTINUED PRODUCT IMPROVEMENTS MAKE SPECIFICATIONS AND MEASUREMENTS SUBJECT TO CHANGE WITHOUT NOTICE.

PARTS BREAKDOWN

ITEM	DESCRIPTION	PART NO.
1	BOWL	SP90
2	EYEWASH DUST COVERS	9095
3	SHOWER HEAD	SP829
4	PULL ROD	SP200
5	EYEWASH HEADS	SP11FC
6	FLOOR FLANGE	SP75
7	FREEZE PROTECTED BLEED VALVE	SP158B
8	STRIPE TAPE	SP185
9	VALVE, 3 WAY WITH FLAG	SP229.158
10	VALVE ASSEMBLY	SP260.158
11	SHOWER SIGN	SP178
12	TEST TAG	SP170
13	THERMOSTAT SUB ASSEMBLY	0005960580



WHEN ORDERING PARTS PLEASE SPECIFY MODEL NUMBER.

		1455 KLEPPE LANE SPARKS, NEVADA 89431 (775) 359-4712 FAX (775) 359-7424 E-MAIL: HAWS@HAWSCO.COM WEBSITE: WWW.HAWSCO.COM	
		ECN NO. REVISED PER BY ECN: 6055 HM	MODEL(S) 8300.158 SHOWER EYEWASH COMBO
DRAWN CLF APPROVED FV	DATE 03/17/93 DATE 04/04/16	CHKD RVH. DATE	REVISION 14
SCALE: 1:1		DRAWING TYPE: PARTS BREAKDOWN	SIZE: A SHEET 1 OF 1