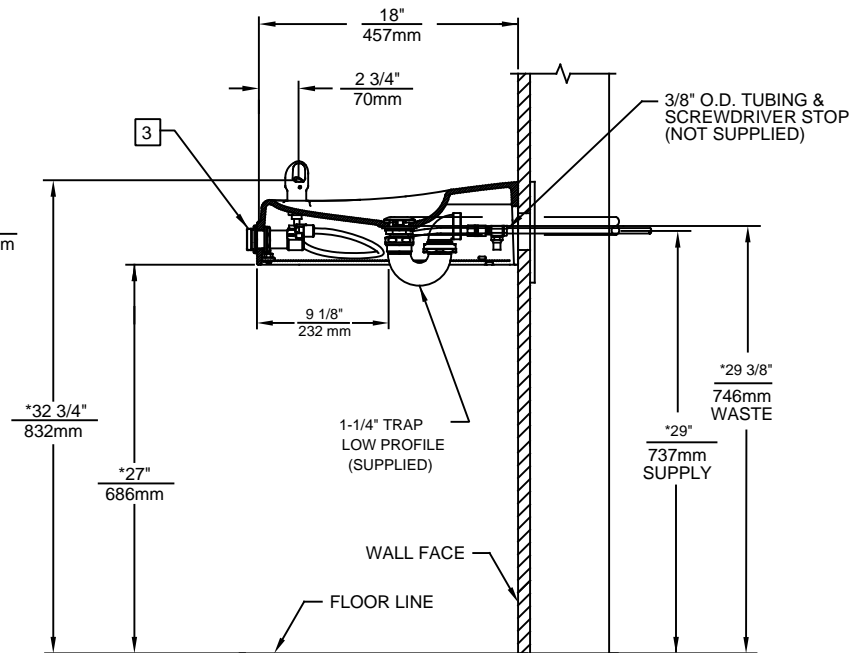
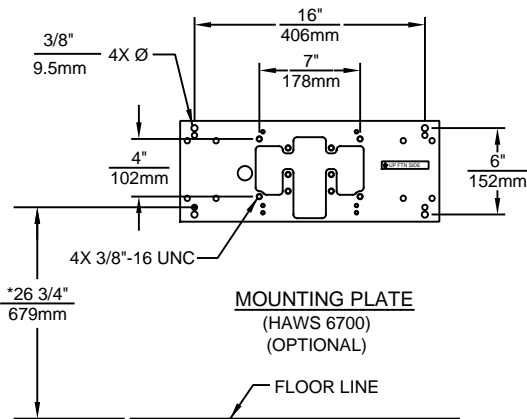
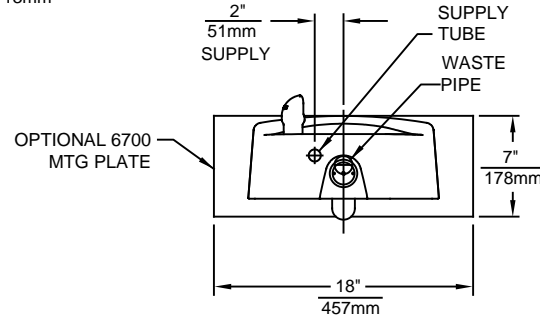
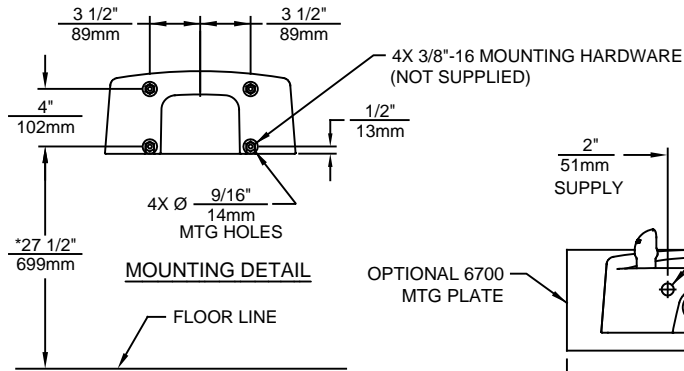
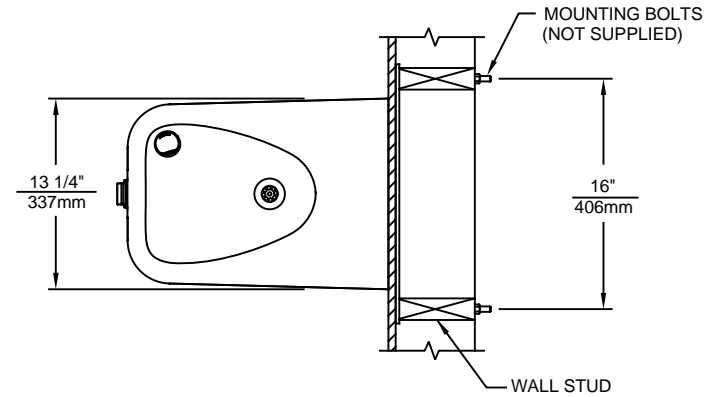


1. HOLD ROUGH-IN DIMENSIONS  $\pm 1/4"$  (6.4MM).
2. WHEN INSTALLING THIS UNIT, LOCAL, STATE, OR FEDERAL CODES SHOULD BE ADHERED TO. FOR INSTALLATION HEIGHTS OTHER THAN SHOWN, DIMENSIONS MARKED (\*) MUST BE ADJUSTED ACCORDINGLY.
- 3 REFER TO 5874 SERIES VALVE OPERATION AND MAINTENANCE MANUAL FOR PUSH BUTTON AND VALVE INSTALLATION/MAINTENANCE INSTRUCTIONS.



1455 KLEPPE LANE  
 SPARKS, NEVADA 89431  
 (775) 359-4712 FAX (775) 359-7424  
 E-MAIL: HAWS@HAWSCO.COM  
 WEBSITE: WWW.HAWSCO.COM

ECN NO. 5010	REVISED PER ECN: 5188	BY: JP	MODEL(S)	PART NUMBER
DRAWN: HM	DATE: 08/25/15	CHKD.: VWC	1311	051000046.D
APPROVED: FV	DATE: 07/06/17	SCALE: 1:14	DRAWING TYPE: INSTALLATION	REVISION 3
			SIZE: A	SHEET 1 OF 1