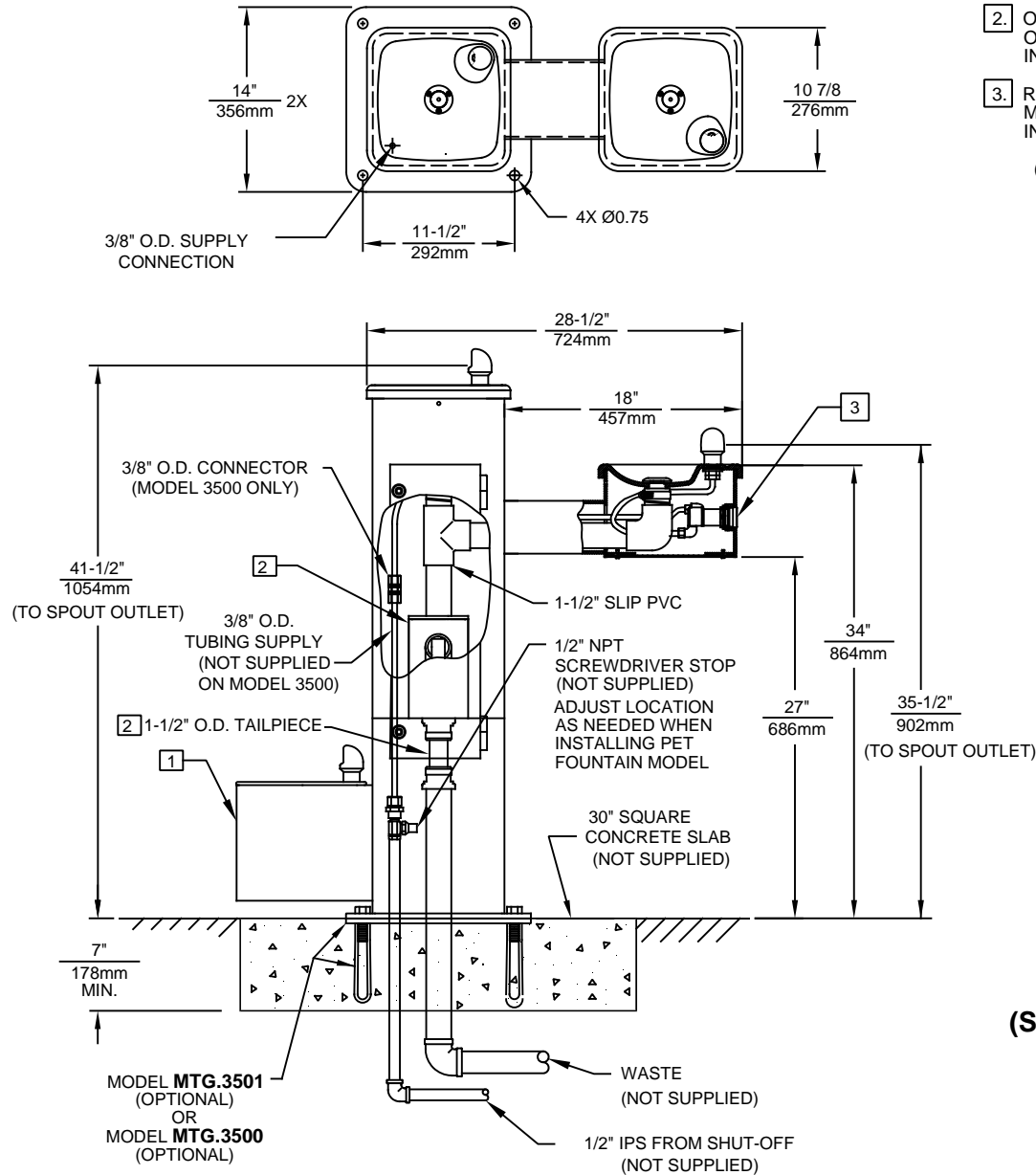



NOTES: (UNLESS OTHERWISE SPECIFIED)

1. PET FOUNTAIN IS STANDARD FOR MODEL 3500D ONLY. SEE SHEET 2 FOR INSTALLATION DETAILS.
2. OPTIONAL SAND TRAP MODEL 6635 W/ MOUNTING PLATE AND 1-1/2" O.D. TAILPIECE. SEE MODEL 6635 FOR ADDITIONAL INSTALLATION INSTRUCTIONS.
3. REFER TO 5874 SERIES OPERATION AND MAINTENANCE MANUAL FOR PUSH BUTTON AND VALVE INSTALLATION/MAINTENANCE INSTRUCTIONS.

(NOTES CONTINUED ON SHEET 2)



**MODEL 3500 SHOWN
(SEE SHEET 2 FOR MODEL 3500D)**

		1455 KLEPPE LANE SPARKS, NEVADA 89431 (775) 359-4712 FAX (775) 359-7424 E-MAIL: HAWS@HAWSO.COM WEBSITE: WWW.HAWSO.COM	
		ECN NO. REVISED PER BY: MODEL(S) ECN: 5189 JP	3500/3500D
DRAWN: DATE: CHKD.: F. VASQUEZ 02-04-99 VWG	APPROVED: DATE: FV 07/07/17	SCALE: 1:13	DRAWING TYPE: INSTALLATION
		SIZE: A	SHEET 1 OF 2

4 SLIDE DOWELS ON DOG BOWL INTO HOLES OF PEDESTAL AND ROTATE UPWARD.

5 INSTALL 7/16-14UNC NUT ON STUD AND TIGHTEN 3/4 TURN PAST HAND TIGHT.

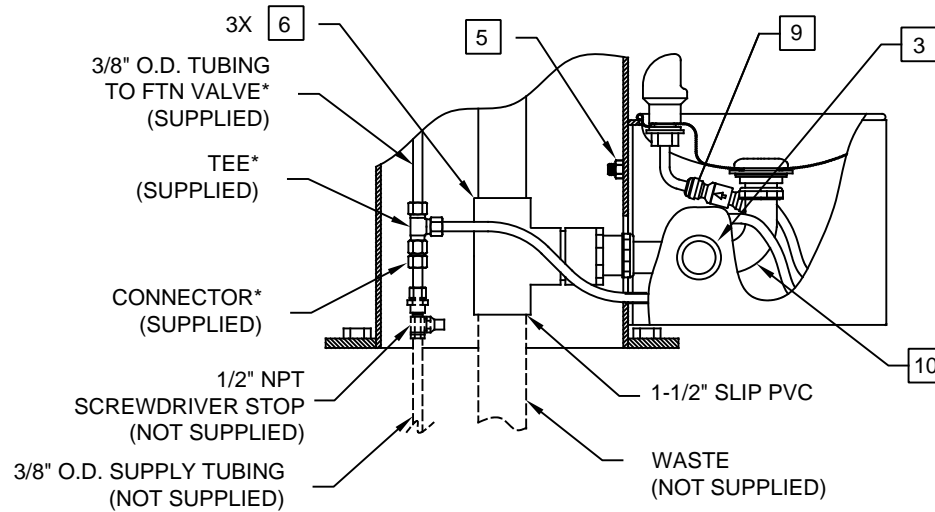
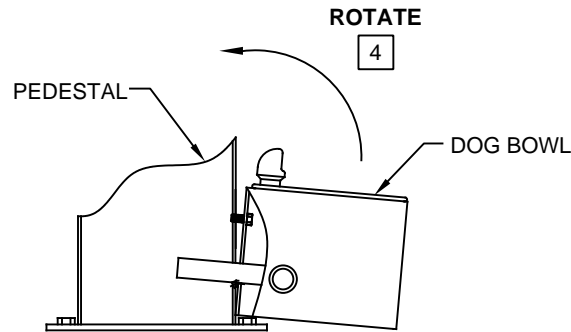
6 BOND JOINTS WITH PVC CEMENT AND PRIMER.

7. APPLY SUPPLY HOSE AND WASTE LINE.

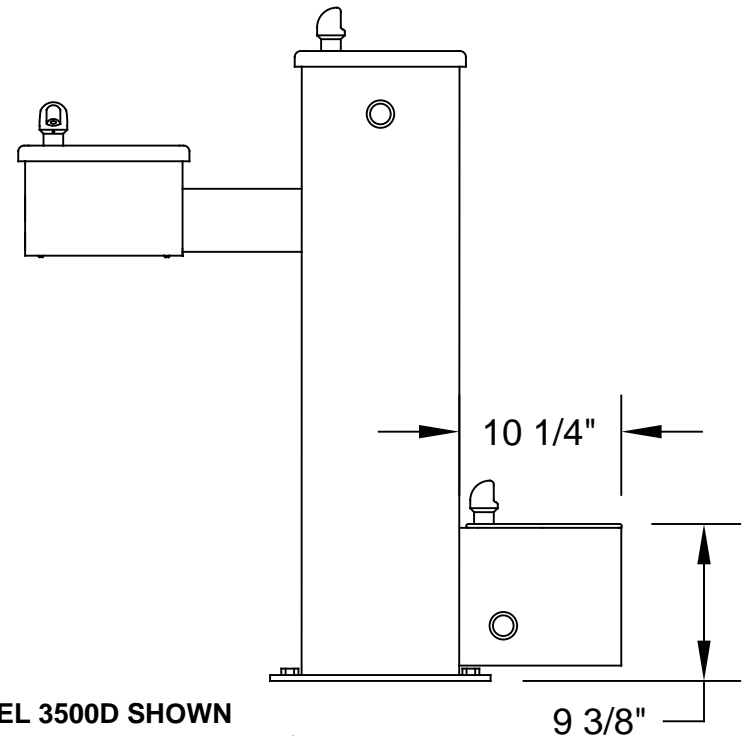
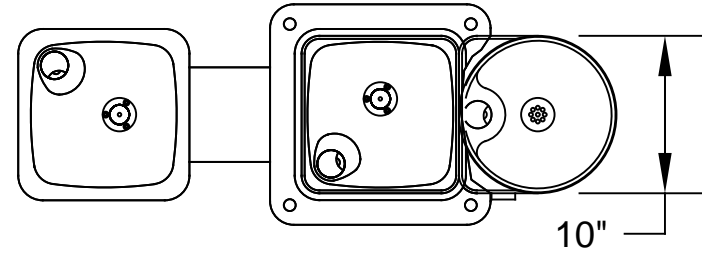
8. TEST SYSTEM AFTER ASSEMBLY.

9 A CHECK VALVE IS INSTALLED IN THIS LOCATION TO PREVENT CROSS CONNECTION BETWEEN BUBBLERS.


10 NOTE: DRAINAGE ASSEMBLY SLIDES VERTICALLY ON HOLDER. UPON COMPLETION OF INSTALLATION, PUSH UP ON BOTTOM OF ELBOW TO ENSURE POSITIVE DRAINAGE OF WASTE.



***NOTE: TEE SHOWN ASSEMBLED FOR REFERENCE ONLY. POSITION TEE AND TRIM TUBING AS NEEDED TO FIT INSTALLATION APPLICATION.**



**MODEL 3500D SHOWN
(SEE SHEET 1 FOR MODEL 3500)**

 Haws [®]		1455 KLEPPE LANE SPARKS, NEVADA 89431 (775) 359-4712 FAX (775) 359-7424 E-MAIL: HAWS@HAWS.CO.COM WEBSITE: WWW.HAWS.CO.COM	
ECN NO.	REVISED PER	BY:	MODEL(S)
	ECN: 5189	JP	3500/3500D
DRAWN:	DATE:	CHKD.:	PART NUMBER
M.F.	06-06-00	VWC	0002077448.D
APPROVED:	DATE:	SCALE:	REVISION
FV	07/07/17	1:12	15
DRAWING TYPE:		INSTALLATION	SHEET 2 OF 2