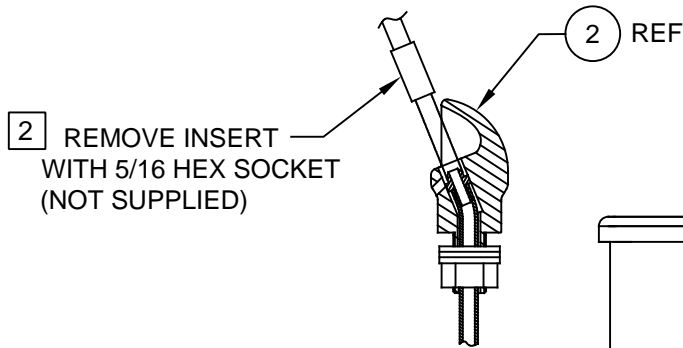


ITEM	DESCRIPTION	PART NO.
1	STRAINER	6452
2	BUBBLER HEAD	5703M
3	BUTTON, PUSH, REC W/ VALVE	5874PB
4	VALVE REPAIR KIT	VRK5874
5	BUTTON, ASSY, PUSH, 5874	PBA7
6	BOTTOM PLATE	PBM1035
7	DOOR KEY, TEE	0002049640
8	KEY, 5/32" HEX PINNED	0002981127
9	SANDTRAP (OPTIONAL)	6635
10	PLATE, MTG, 3500 SERIES (OPTIONAL)	MTG.3500
11	MOUNTING SYSTEM (OPTIONAL)	MTG.3501

**NOTES:**

- 1 5874PB (ITEM 3) INCLUDES VRK5874 CARTRIDGE ASSEMBLY (ITEM 4) AND PBA7 RECESSED PUSH BUTTON (ITEM 5).
- 2 ENSURE TUBE IS DISCONNECTED FROM PUSH BUTTON VALVE BODY PRIOR TO REMOVAL. APPLY ONE DROP OF LOCTITE 222MS TO NOZZLE THREADS PRIOR TO FASTENING BACK ONTO BUBBLER HEAD. RE-ATTACH TUBE TO VALVE.



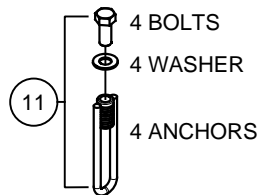
2 REMOVE INSERT WITH 5/16 HEX SOCKET (NOT SUPPLIED)

**DETAIL A**  
ROTATED 90° INTO VIEW

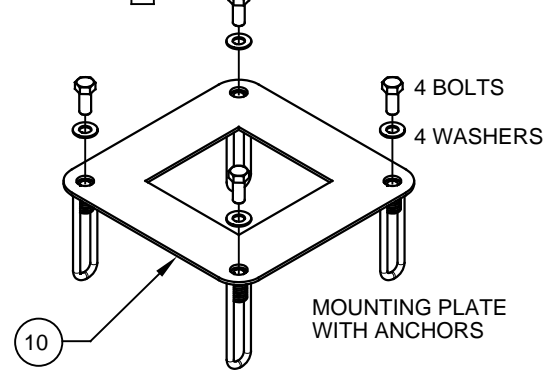
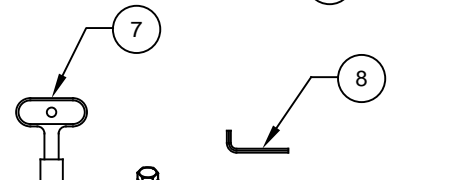
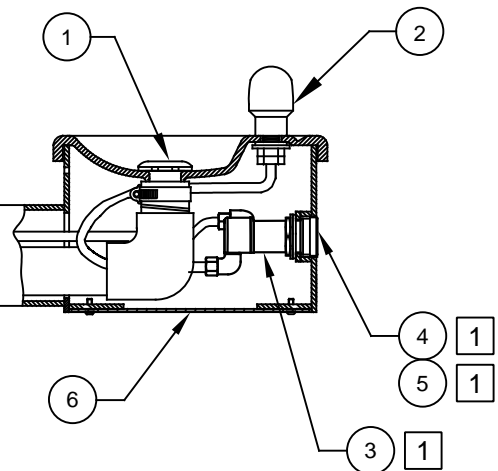
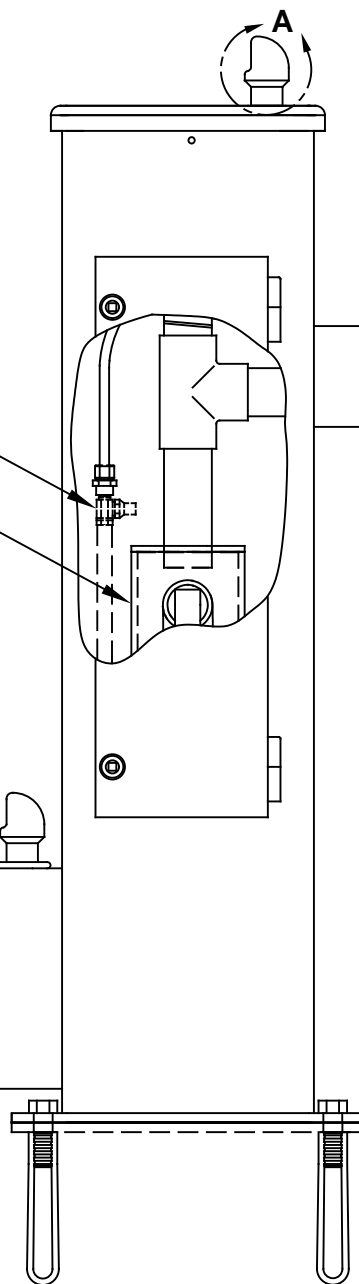
1/2" NPT SCREWDRIVER STOP (NOT SUPPLIED)

SAND TRAP MODEL 6635 W/ MOUNTING PLATE (OPTIONAL)

**PET PEDESTAL STANDARD WITH MODEL 3500D ONLY**



**MODEL MTG.3501 KIT MOUNTING SYSTEM (OPTIONAL)**



**MODEL MTG.3500 KIT MOUNTING PLATE (OPTIONAL)**

**PARTS BREAKDOWN**

WHEN ORDERING PARTS PLEASE SPECIFY MODEL NUMBER.

1455 KLEPPE LANE  
SPARKS, NEVADA 89431  
(775) 359-4712 FAX (775) 359-7424  
E-MAIL: HAWS@HAWSCO.COM  
WEBSITE: WWW.HAWSCO.COM

ECN NO.	REVISED PER	BY	MODEL(S)	PART NUMBER
	ECN: 5189	JP	3500/3500D	0002077448
DRAWN	DATE	CHKD		REVISION
F. VASQUEZ	02-04-99	VWC		15
APPROVED	DATE		SCALE: 1:4	DRAWING TYPE: PARTS BREAKDOWN
FV	07/07/17		SIZE: A	SHEET 1 OF 1