



**INSTALLATION, OPERATION
&
MAINTENANCE INSTRUCTIONS**

1455 Kleppe Lane ♦ Sparks, NV 89431-6467 ♦ (775) 359-4712 ♦ Fax (775) 359-7424
E-mail: haws@hawsco.com ♦ website: www.hawsco.com

No. 2077448 (15)

**Model 3500/3500D
Drinking Fountain**

NOTE TO INSTALLER: Please leave this information with the Maintenance Department.

LIMITED WARRANTY

HAWS warrants that this specific product is guaranteed against defective material or poor workmanship for a period of **one year from date of shipment**. HAWS liability under this warranty shall be discharged by furnishing without charge F.O.B. HAWS Factory any goods, or part thereof, which shall appear to the Company upon inspection to be of defective material or not of first class workmanship, provided that claim is made in writing to Haws within a reasonable period after receipt of the product. Where claims for defects are made, the defective part or parts shall be delivered to the Company, prepaid, for inspection. HAWS will not be liable for the cost of repairs, alterations or replacements, or for any expense connected therewith made by the owner or his agents, except upon written authority from HAWS, Sparks, Nevada. HAWS will not be liable for any damages caused by defective materials or poor workmanship, except for replacements, as provided above. Buyer agrees that HAWS shall not be liable for general, special, or consequential damages claimed to arise under the contract of sale. The drinking fountain manufactured by HAWS is warranted to function if installation and maintenance instructions provided are adhered to. The units also must be used for the purpose for which they were intended.

**NO OTHER WARRANTIES EXPRESSED OR IMPLIED ARE AUTHORIZED,
PROVIDED OR GIVEN BY HAWS.**

**SHOULD YOU EXPERIENCE DIFFICULTY WITH THE INSTALLATION OF THIS
MODEL PLEASE CALL:**

TECHNICAL SUPPORT: 1-800-766-5612

FOR CUSTOMER SERVICE: 1-888-640-4297

RECOMMENDED TOOLS: Hack saw, pipe joint sealant, screwdriver, level, 12" adjustable wrench, 10" pipe wrench, 5/32" pinned hex key wrench (supplied), 9/16", 1/2", 7/16" socket wrench or open- end wrench.

LOCATION OF UNIT: The Model 3500/3500D Drinking Fountain is a wheelchair accessible drinking water facility. The height dimensions shown, meet current ADA requirements. When installing this unit, local, state or federal codes should be adhered to. If height other than shown is required, then dimensions must be adjusted accordingly.

SUPPLY LINE: The minimum recommended line size is 1/2"IPS with 30-90 psi (2-6 ATM) flowing pressure. Where sediment or mineral content is a problem, an inlet filter is recommended.

PLUMBING CONNECTIONS: Inlet is 3/8"O.D. compression fitting. Waste outlet is female 1-1/2" slip PVC pipe.

MAINTENANCE: Periodically clean the strainer. Refer to 5874 Series Valve Operation and Maintenance Sheet for more information.

TROUBLESHOOTING

PROBLEM	REPAIR CHECKLIST
1. Insufficient bubbler flow.	1a. Check that inlet screwdriver stop valve is wide open. b. Verify minimum 30 psi flowing supply pressure. c. Clean inlet strainer. See 5874 Series Valve Manual. d. Adjust valve to increase flow. Use front adjust screw or see 5874 Series Valve Manual.

General Notes:

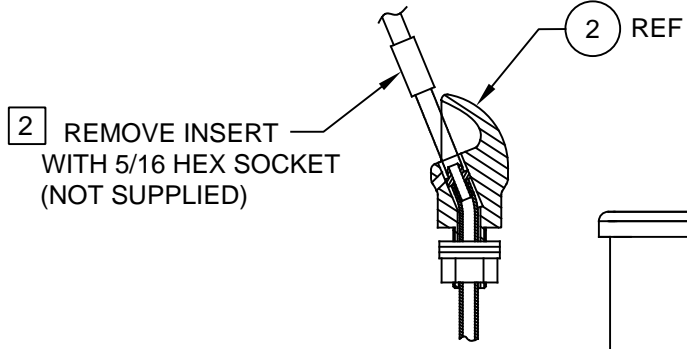
Before tightening nut and ferrule assembly, push tubing into fitting until it bottoms out to ensure correct engagement with O-Ring.

For more information about Haws products, see our website: www.hawsc.com

ITEM	DESCRIPTION	PART NO.
1	STRAINER	6452
2	BUBBLER HEAD	5703M
3	BUTTON, PUSH, REC W/ VALVE	5874PB
4	VALVE REPAIR KIT	VRK5874
5	BUTTON, ASSY, PUSH, 5874	PBA7
6	BOTTOM PLATE	PBM1035
7	DOOR KEY, TEE	0002049640
8	KEY, 5/32" HEX PINNED	0002981127
9	SANDTRAP (OPTIONAL)	6635
10	PLATE, MTG, 3500 SERIES (OPTIONAL)	MTG.3500
11	MOUNTING SYSTEM (OPTIONAL)	MTG.3501

NOTES:

- 1 5874PB (ITEM 3) INCLUDES VRK5874 CARTRIDGE ASSEMBLY (ITEM 4) AND PBA7 RECESSED PUSH BUTTON (ITEM 5).
- 2 ENSURE TUBE IS DISCONNECTED FROM PUSH BUTTON VALVE BODY PRIOR TO REMOVAL. APPLY ONE DROP OF LOCTITE 222MS TO NOZZLE THREADS PRIOR TO FASTENING BACK ONTO BUBBLER HEAD. RE-ATTACH TUBE TO VALVE.



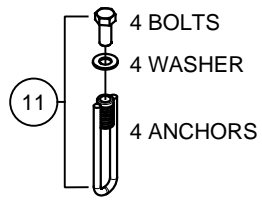
2 REMOVE INSERT WITH 5/16 HEX SOCKET (NOT SUPPLIED)

DETAIL A
ROTATED 90° INTO VIEW

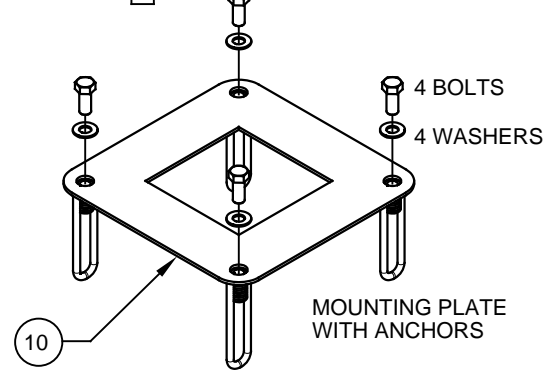
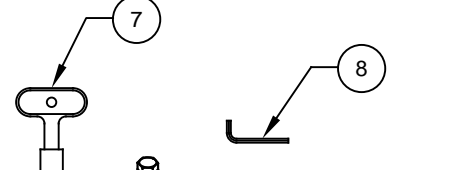
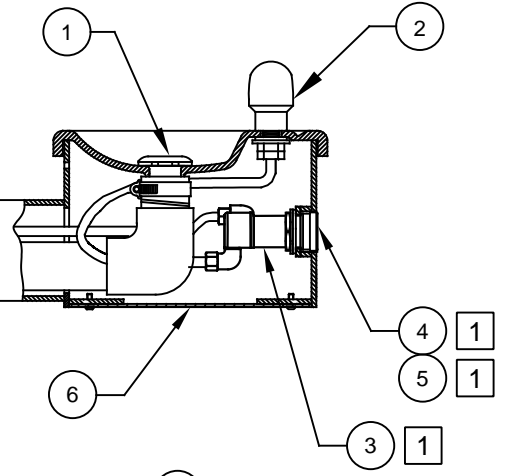
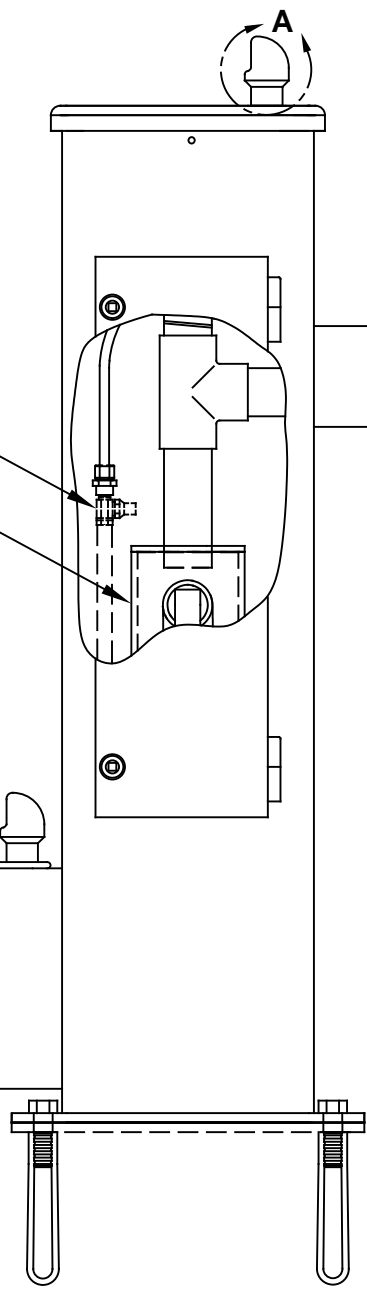
1/2" NPT SCREWDRIVER STOP (NOT SUPPLIED)

SAND TRAP MODEL 6635 W/ MOUNTING PLATE (OPTIONAL)

PET PEDESTAL STANDARD WITH MODEL 3500D ONLY



MODEL MTG.3501 KIT MOUNTING SYSTEM (OPTIONAL)



MODEL MTG.3500 KIT MOUNTING PLATE (OPTIONAL)

PARTS BREAKDOWN

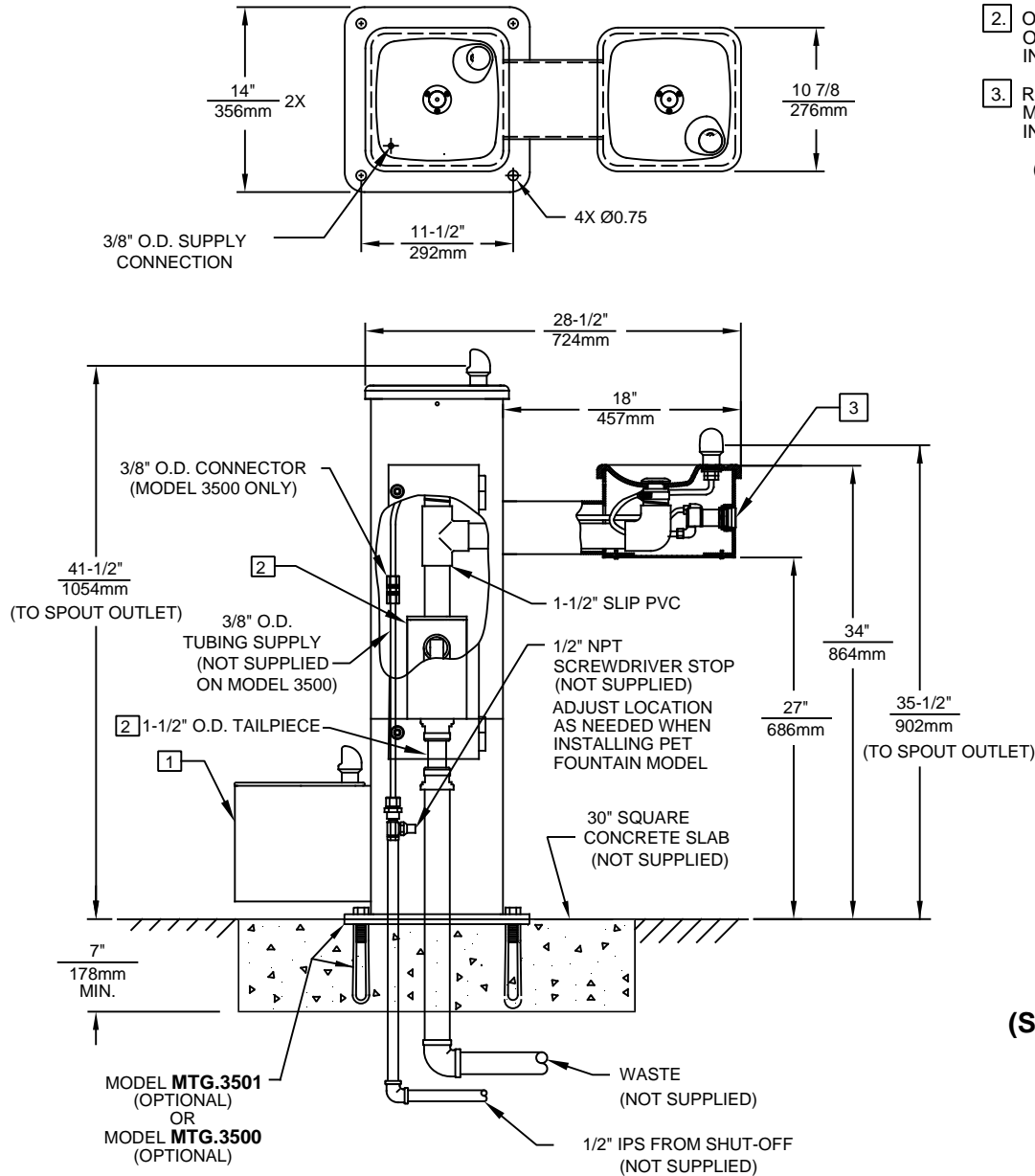
WHEN ORDERING PARTS PLEASE SPECIFY MODEL NUMBER.

		1455 KLEPPE LANE SPARKS, NEVADA 89431 (775) 359-4712 FAX (775) 359-7424 E-MAIL: HAWS@HAWSCO.COM WEBSITE: WWW.HAWSCO.COM	
ECN NO.	REVISED PER	BY	MODEL(S)
	ECN: 5189	JP	3500/3500D
DRAWN	DATE	CHKD	PART NUMBER
F. VASQUEZ	02-04-99	VWC	0002077448
APPROVED	DATE		REVISION
FV	07/07/17		15
SCALE: 1:4		DRAWING TYPE: PARTS BREAKDOWN	
SIZE: A		SHEET 1 OF 1	


NOTES: (UNLESS OTHERWISE SPECIFIED)

1. PET FOUNTAIN IS STANDARD FOR MODEL 3500D ONLY. SEE SHEET 2 FOR INSTALLATION DETAILS.
2. OPTIONAL SAND TRAP MODEL 6635 W/ MOUNTING PLATE AND 1-1/2" O.D. TAILPIECE. SEE MODEL 6635 FOR ADDITIONAL INSTALLATION INSTRUCTIONS.
3. REFER TO 5874 SERIES OPERATION AND MAINTENANCE MANUAL FOR PUSH BUTTON AND VALVE INSTALLATION/MAINTENANCE INSTRUCTIONS.

(NOTES CONTINUED ON SHEET 2)



**MODEL 3500 SHOWN
(SEE SHEET 2 FOR MODEL 3500D)**

		1455 KLEPPE LANE SPARKS, NEVADA 89431 (775) 359-4712 FAX (775) 359-7424 E-MAIL: HAWS@HAWSO.COM WEBSITE: WWW.HAWSO.COM	
		ECN NO. REVISED PER BY: MODEL(S) ECN: 5189 JP	3500/3500D
DRAWN: DATE: CHKD.: F. VASQUEZ 02-04-99 VWG	APPROVED: DATE: FV 07/07/17	SCALE: 1:13 DRAWING TYPE: INSTALLATION	REVISION 15 SHEET 1 OF 2

4 SLIDE DOWELS ON DOG BOWL INTO HOLES OF PEDESTAL AND ROTATE UPWARD.

5 INSTALL 7/16-14UNC NUT ON STUD AND TIGHTEN 3/4 TURN PAST HAND TIGHT.

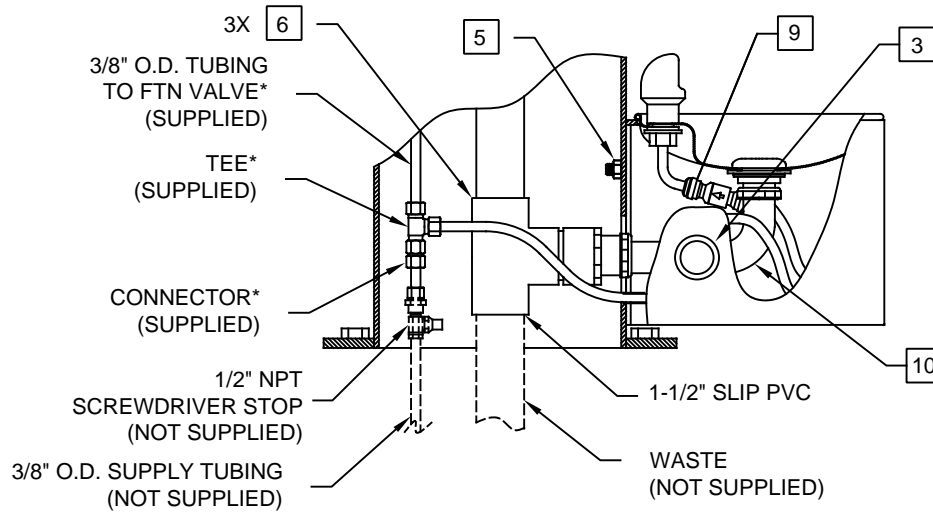
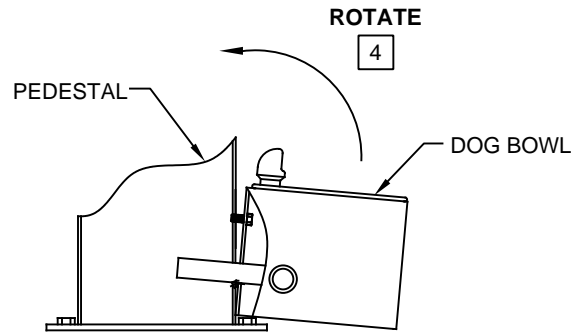
6 BOND JOINTS WITH PVC CEMENT AND PRIMER.

7. APPLY SUPPLY HOSE AND WASTE LINE.

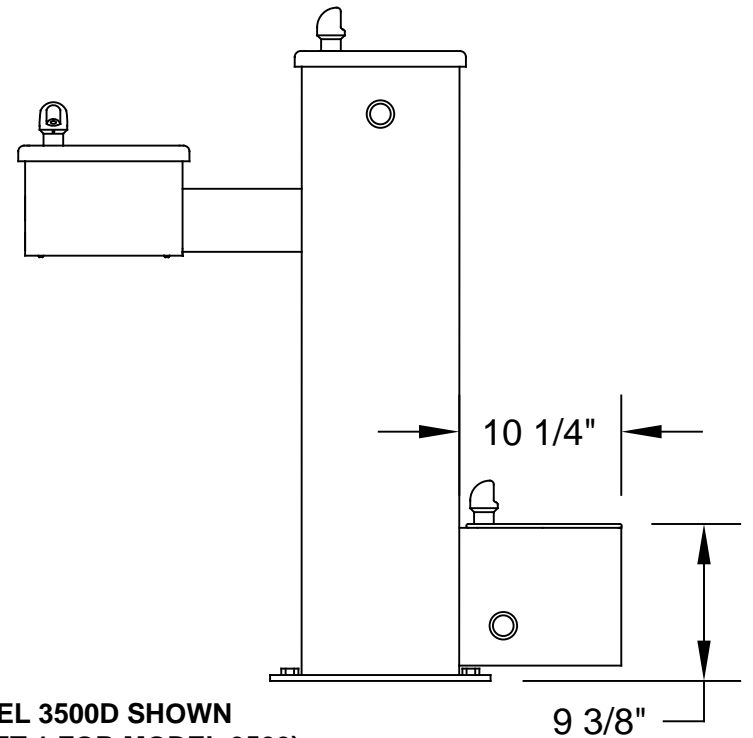
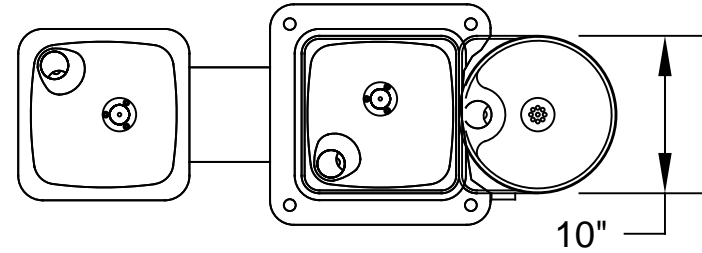
8. TEST SYSTEM AFTER ASSEMBLY.

9 A CHECK VALVE IS INSTALLED IN THIS LOCATION TO PREVENT CROSS CONNECTION BETWEEN BUBBLERS.


10 NOTE: DRAINAGE ASSEMBLY SLIDES VERTICALLY ON HOLDER. UPON COMPLETION OF INSTALLATION, PUSH UP ON BOTTOM OF ELBOW TO ENSURE POSITIVE DRAINAGE OF WASTE.



***NOTE: TEE SHOWN ASSEMBLED FOR REFERENCE ONLY. POSITION TEE AND TRIM TUBING AS NEEDED TO FIT INSTALLATION APPLICATION.**



**MODEL 3500D SHOWN
(SEE SHEET 1 FOR MODEL 3500)**

		1455 KLEPPE LANE SPARKS, NEVADA 89431 (775) 359-4712 FAX (775) 359-7424 E-MAIL: HAWS@HAWSOCO.COM WEBSITE: WWW.HAWSOCO.COM	
ECN NO.	REVISED PER	BY:	MODEL(S)
	ECN: 5189	JP	3500/3500D
DRAWN:	DATE:	CHKD.:	PART NUMBER
M.F.	06-06-00	VWC	0002077448.D
APPROVED:	DATE:	SCALE:	REVISION
FV	07/07/17	1:12	15
		DRAWING TYPE:	SHEET 2 OF 2
		INSTALLATION	
		SIZE: A	