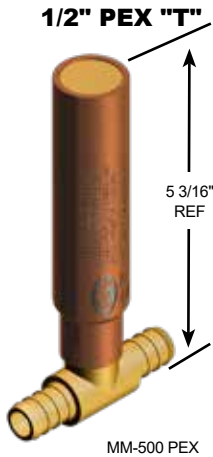




Precision Plumbing Products
"Specify with Confidence - Install with Pride"

**MINI - MAX
 "AA" WATER HAMMER ARRESTOR**

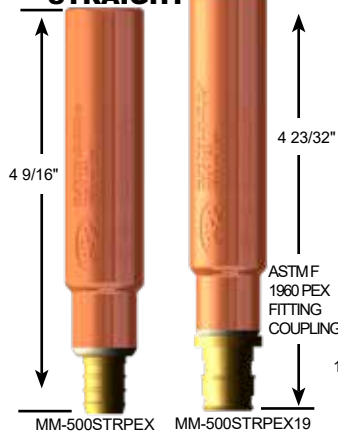
www.pppinc.net



MM-500 PEX

LEAD FREE

1/2" PEX & UPONOR STRAIGHT



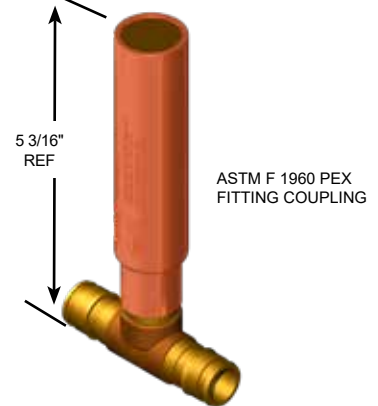
MM-500STRPEX

MM-500STRPEX19

LEAD FREE



UPONOR MINI ADAPTER



ASTM F 1960 PEX FITTING COUPLING

LEAD FREE

1/2" CPVC FITTING

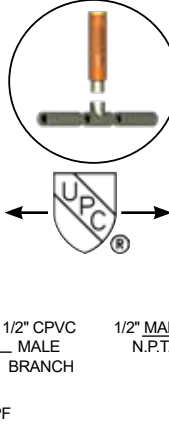


MM-500 FPF

MM-500 MPF

LEAD FREE

1/2" MIP MINI



MM-500 TH

LEAD FREE

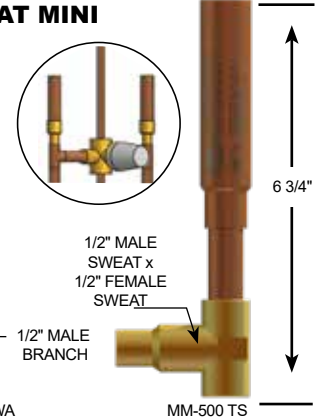
1/2" SWEAT MINI



MM-500 SWA

LEAD FREE

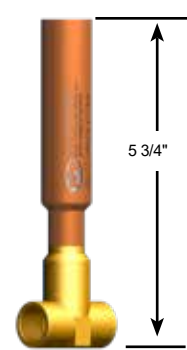
TUB & SHOWER MINI



MM-500 TS

LEAD FREE

1/2" SWEAT "T"



MM-500 ST

LEAD FREE

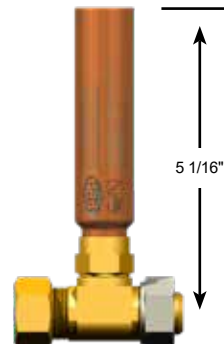
3/8" FEMALE COMP "T"



MM-5001FCT

LEAD FREE

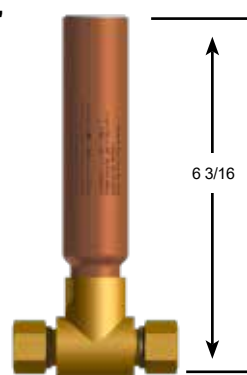
5/8" FEMALE COMP "T"



MM-5002FCT

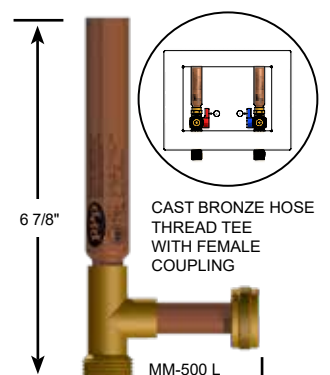
LEAD FREE

3/8" COMPRESSION "T" LAUNDRY MINI



MM-5003 CPT

LEAD FREE



MM-500 L

LEAD FREE

CAST BRONZE HOSE THREAD TEE WITH FEMALE COUPLING

SPECIFICATIONS LAUNDRY BOX OR ICE MAKER BOX WITH ARRESTORS

MAINTENANCE: Maintenance free – the piston is the only moving part.
TEMPERATURE RANGE: -40°F to + 212°F (-4.4°C to + 100°C)
CONSTRUCTION: Barrel-fabricated of type “L” hard drawn copper.
Cap: Machined of free turning brass.
Piston: Polycarbonate Dow Calibre 2061-15 MFR.
Seals: “O”rings: EPDM.
Seal Lubricant: Dow-Corning Silicone Compound #111, FDA listed for use in potable water systems.
OPERATING PRESSURE: Designed to operate on all domestic and commercial systems. Normal operating pressure 35 to 125 PSIG. Max Spike pressure 250 PSIG.

LEAD FREE

MM-500 PIMBFR
 1/2" FEMALE
 SWEAT x 1/4"
 COMP.



MM-500 PLB-PEX19
 1/2" ProPEX FITTING

MM-500 PLBFR
 1/2" FEMALE
 SWEAT x 3/4"
 HOSE



MM-500 PLB-PEX
 1/2" PEX FITTING
 x 3/4" HOSE



LEAD FREE

MM-500 PIMB
 1/2" FEMALE SWEAT
 x 1/4" COMP.



LEAD FREE

MM-500 MIMB
 1/2" FEMALE
 SWEAT x 1/4"
 COMP.



LEAD FREE

MM-500 PIMB-PEX
 1/2" PEX FITTING



LEAD FREE

MM-500 PIMB-PEX19
 1/2" ProPEX FITTING



MM-500 PLB
 1/2" FEMALE SWEAT
 x 3/4" HOSE



MM-500 MLB
 1/2" FEMALE SWEAT
 x 3/4" HOSE

| P/N | DESCRIPTION | BOX DIMENSIONS: |
|---------------------|--|------------------------------------|
| MM-500 PLB | Plastic Laundry Box | 7-3/4" W x 6-3/4" H x 3" D |
| MM-500 PLB-PEX | Plastic Laundry Box W/PEX fitting | |
| MM-500 PLB-PEX19 | Plastic Laundry Box W/ProPEX-Uponor fitting | |
| MM-500 MLB | Metal Laundry Box | 8-1/4" W x 6" H x 3-1/2" D |
| MM-500 MLB-PEX | Metal Laundry Box W/PEX fitting | |
| MM-500 MLB-PEX19 | Metal Laundry Box W/ProPEX-Uponor fitting | |
| MM-500 PLBFR | Plastic Laundry Box (Fire Rated) | 8-3/16" W x 7-1/16" H x 3-5/16" D |
| MM-500 PLBFR-PEX | Plastic Laundry Box W/PEX fitting (Fire Rated) | |
| MM-500 PLBFR-PEX19 | Plastic Laundry Box W/ProPEX-Uponor fitting (Fire Rated) | |
| P/N | DESCRIPTION | BOX DIMENSIONS: |
| MM-500 PIMB | Plastic Ice Maker Box | 5-1/4" W x 5-1/4" H x 2-1/2" D |
| MM-500 PIMB-PEX | Plastic Ice Maker Box W/PEX fitting | |
| MM-500 PIMB-PEX19 | Plastic Ice Maker Box W/ProPEX-Uponor fitting | |
| MM-500 MIMB | Metal Ice Maker Box | 5-3/4" W x 5-1/4" H x 2-1/2" D |
| MM-500 MIMB-PEX | Metal Ice Maker Box W/PEX fitting | |
| MM-500 MIMB-PEX19 | Metal Ice Maker Box W/ProPEX-Uponor fitting | |
| MM-500 PIMBFR | Plastic Ice Maker Box (Fire Rated) | 3-7/8" W x 5-11/16" H x 2-13/16" D |
| MM-500 PIMBFR-PEX | Plastic Ice Maker Box W/PEX fitting (Fire Rated) | |
| MM-500 PIMBFR-PEX19 | Plastic Ice Maker Box W/ProPEX-Uponor fitting (Fire Rated) | |

Specify drain position when ordering laundry box assemblies.

PROJECT SUBMITTAL

Project: _____

Contractor: _____

Engineer: _____

Date Submitted: _____

Prepared By: _____

Patent No 3,633,627



Precision Plumbing Products

Division of J.L. Industries, Inc.
 802 SE 199th Ave
 Portland, Oregon 97233
 T (503) 256-4010
 F (503) 253-8165
 www.pppinc.net



Recommended by the Ohio Plumbing Advisory Board

