

# Staple Gun Extension Arm Installation Instructions

## ⚠ WARNING



Read this Manual BEFORE using this equipment. Failure to read and follow all safety and use information can result in death, serious personal injury, property damage, or damage to the equipment. Keep this Manual for future reference.

This Extension Arm is designed to fit the Watts Radiant staple gun (Part number 81000588). Any pneumatic or power tool should be disconnected from its power source before beginning installation and before making any adjustments.

You will need at least one 7/16" wrench or similar tool, two can make the process easier.

**Step 1:** Remove the bolt from the handle.

**Step 2:** Position the plate on top of the staple gun handle as shown and re-attach the bolt. Fit a shim between the staple gun handle and plate to make a snug fit.

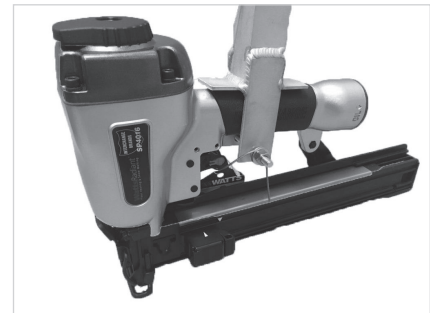
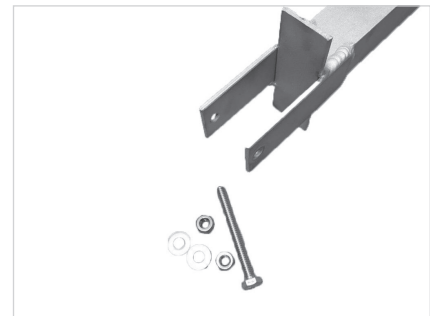
**Step 3:** Locate the steel cable under the staple gun trigger and wrap it between the bolt washers on the extension arm.

**Step 4:** Adjust the position of the steel cable until squeezing the trigger on the extension arm properly actuates the staple gun trigger.

A short length of hose or plastic tubing is necessary for testing the Watts Radiant staple guns. Attach the air line to the staple gun. Press the staple gun against a suitable test material and squeeze and release the extension arm trigger to see if the trigger has its full range of motion and actuates the staple gun. The gun should fire one staple and continue to work in a normal fashion. If it did not work an adjustment of the location of the extension arm or the tension on the cable should fix it. Disconnect the air line BEFORE making any adjustments.

## Order Number

Staple Gun Extension Arm only	81000592
Staple Gun for Onix and RadiantPEX	81000588



**Limited Warranty:** Watts Radiant (the "Company") warrants each product to be free from defects in material and workmanship under normal usage for a period of one year from the date of original shipment. In the event of such defects within the warranty period, the Company will, at its option, replace or recondition the product without charge.

**THE WARRANTY SET FORTH HEREIN IS GIVEN EXPRESSLY AND IS THE ONLY WARRANTY GIVEN BY THE COMPANY WITH RESPECT TO THE PRODUCT. THE COMPANY MAKES NO OTHER WARRANTIES, EXPRESS OR IMPLIED. THE COMPANY HEREBY SPECIFICALLY DISCLAIMS ALL OTHER WARRANTIES, EXPRESS OR IMPLIED, INCLUDING BUT NOT LIMITED TO THE IMPLIED WARRANTIES OF MERCHANTABILITY AND FITNESS FOR A PARTICULAR PURPOSE.**

The remedy described in the first paragraph of this warranty shall constitute the sole and exclusive remedy for breach of warranty, and the Company shall not be responsible for any incidental, special or consequential damages, including without limitation, lost profits or the cost of repairing or replacing other property which is damaged if this product does not work properly, other costs resulting from labor charges, delays, vandalism, negligence, fouling caused by foreign material, damage from adverse water conditions, chemical, or any other circumstances over which the Company has no control. This warranty shall be invalidated by any abuse, misuse, misapplication, improper installation or improper maintenance or alteration of the product.

Some States do not allow limitations on how long an implied warranty lasts, and some States do not allow the exclusion or limitation of incidental or consequential damages. Therefore the above limitations may not apply to you. This Limited Warranty gives you specific legal rights, and you may have other rights that vary from State to State. You should consult applicable state laws to determine your rights. **SO FAR AS IS CONSISTENT WITH APPLICABLE STATE LAW, ANY IMPLIED WARRANTIES THAT MAY NOT BE DISCLAIMED, INCLUDING THE IMPLIED WARRANTIES OF MERCHANTABILITY AND FITNESS FOR A PARTICULAR PURPOSE, ARE LIMITED IN DURATION TO ONE YEAR FROM THE DATE OF ORIGINAL SHIPMENT.**

# WattsRadiant™

A WATTS Brand

USA: T: (800) 276-2419 • F: (417) 864-8161 • WattsRadiant.com  
 Canada: T: (905) 332-4090 • F: (905) 332-7068 • Watts.ca  
 Latin America: T: (52) 81-1001-8600 • WattsRadiant.com