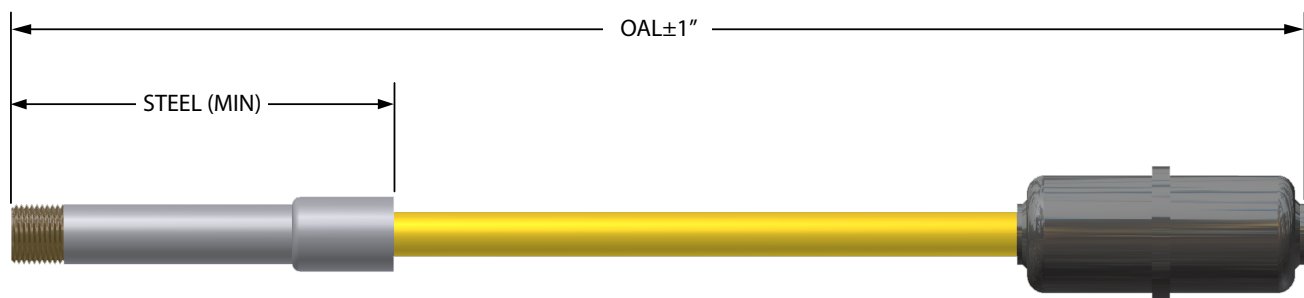
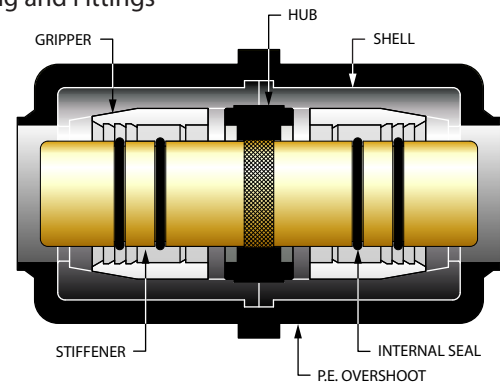


CON-STAB ID SEAL® FITTINGS

P.E. Stab x MPT Transition Fittings

The Con-Stab meets the following standards:

- ▶ ASTM D 2513 "Standard Specification for Thermoplastic Gas Pressure Pipe, Tubing and Fittings"
- ▶ ASME B31.8-1995 "Gas Transmission and Distribution Piping Systems"
- ▶ D.O.T., Title 49 of the Code of Federal Regulations, Part 192.283 (b)
- ▶ NFPA 58, LP-Gas Code and NFPA 54 National Fuel Gas Code
- ▶ CSA
- ▶ ICC – International Plumbing Code
- ▶ IAPMO – Uniform Plumbing Code
- ▶ First Stab Connector to be rated at 125 psi
- ▶ Continental is a ISO 9001 Certified Company
- ▶ Made in the USA



STEEL SIZE (NPT)	P.E. SIZE	WALL	PART NUMBER (2406)	STEEL LENGTH	"OAL"
1/2"	1/2" CTS (5/8" OD)	.090	9932-00-0060-00	5"	19 1/8"
3/4"	3/4" IPS	SDR-11 (.095)	9932-00-0061-00	5"	19 1/4"
1"	1" CTS (1 1/8" OD)	.099/.101	9932-00-0062-00	5"	19 1/4"
1"	1" IPS	SDR-11 (.119)	9932-00-0063-00	5"	19 1/4"
1 1/4"	1 1/4" IPS	SDR-10 (.166)	9932-00-0064-00	5 1/2"	21 13/16"
2"	2" IPS	SDR-11 (.216)	9932-00-0065-00	5 3/4"	22 5/8"

• Con-Stab ID Seal® fittings rated for 125 psig.

