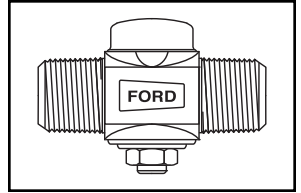
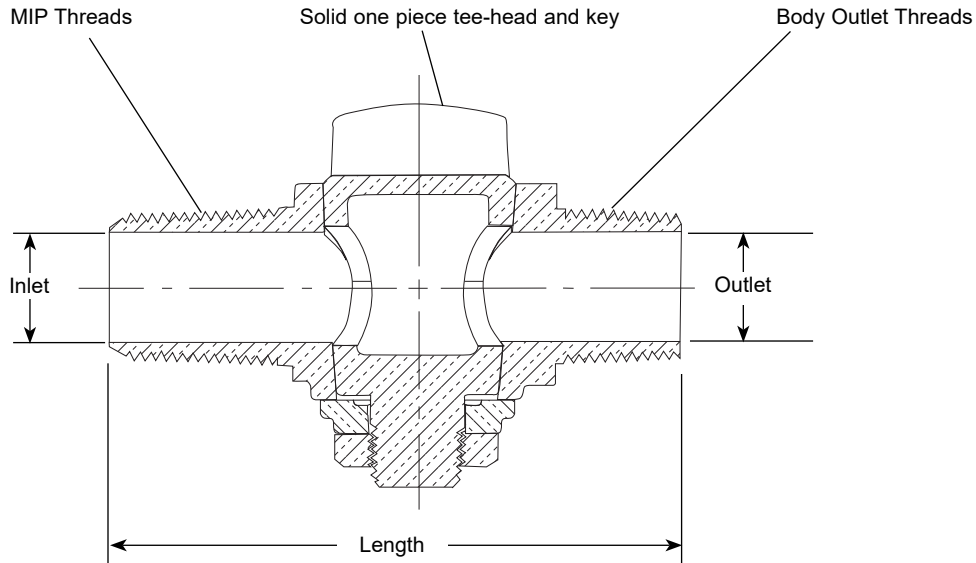


SUBMITTAL INFORMATION

Corporation Stops - (F500-x-NL style)



MALE IRON PIPE THREAD BOTH ENDS



VALVE SIZE	INLET SIZE	OUTLET SIZE	VALVE LENGTH	BODY OUTLET THREADS	APPROX. Wt. LBS	PART NUMBER	✓ SUBMITTED ITEM(S)
1/2"	1/2"	1/2"	3-1/8"	1/2" MIP	0.6	F500-1-NL	
1/2"	1/2"	3/4"	3-1/8"	3/4" MIP	0.6	F500-13-NL	
3/4"	3/4"	3/4"	3-7/8"	3/4" MIP	1.3	F500-3-NL	
1"	1"	1"	4-9/16"	1" MIP	2.1	F500-4-NL	

FEATURES

- All brass that comes in contact with potable water conforms to AWWA Standard C800 (ASTM B584, UNS C89833)
- The product has the letters "NL" cast into the main body for lead-free identification
- Certified to NSF/ANSI Standard 61 and NSF/ANSI Standard 372 where applicable
- Brass components that do not come in contact with potable water conform to AWWA Standard C800 (ASTM B62 and ASTM B584, UNS C83600, 85-5-5-5)
- Body design provides larger, more rugged wrench flats for proper installation
- Meets 100 PSI working pressure requirements of AWWA Standard C800

The Ford Meter Box Company considers the information in this submittal form to be correct at the time of publication. Item and option availability, including specifications, are subject to change without notice. Please verify that your product information is current.



The Ford Meter Box Company, Inc.

P.O. Box 443, Wabash, Indiana U.S.A. 46992-0443

Phone: 219-563-3171 / Fax: 800-826-3487

Overseas Fax: 219-563-0167

www.fordmeterbox.com

10/04/16

Submitted By: