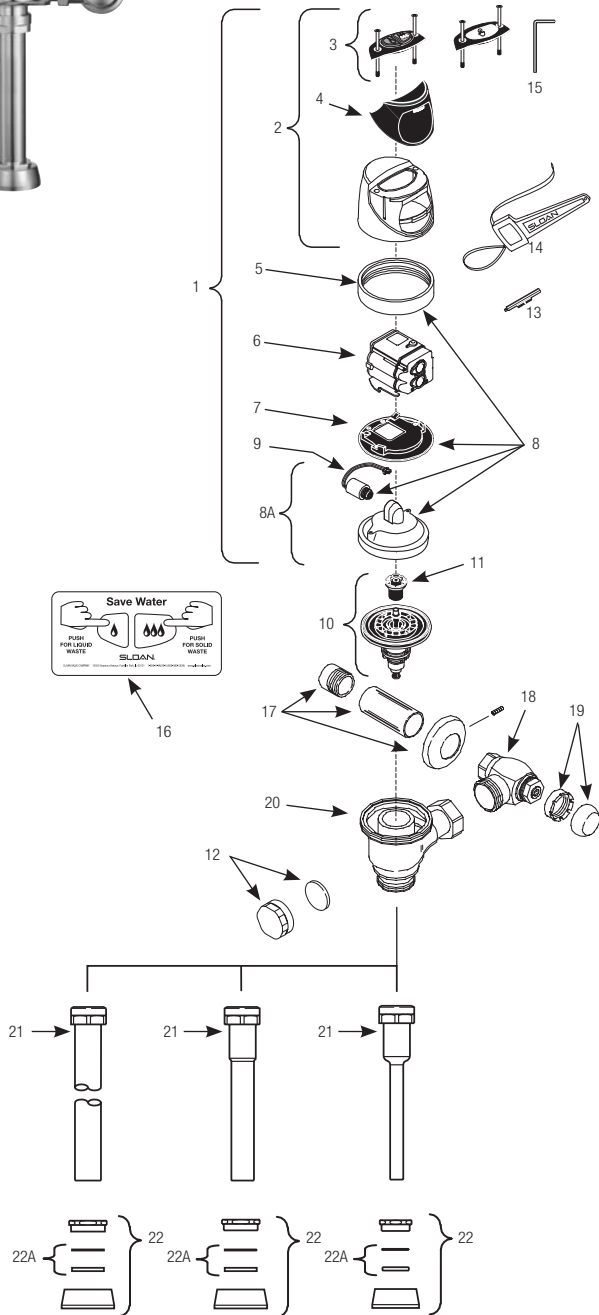


Sloan ECOS® Single-Flush and Dual-Flush Flushometers



Sensor Flushometers



FLEX TUBE DIAPHRAGM ASSEMBLY



Sloan ECOS® Electronic Valve Models Feature Sloan's Exclusive flex tube diaphragm™ for the ultimate in valve performance, reliability and chloramine resistance.

Items Included with Complete Sloan ECOS Valves Only

Item.	Code.	Part #	Description
22A	0306146	F-5-AT	1½" Spud Coupling Assembly (Water Closet Models)
22B	0306125PK	F-5-AW	¾" Spud Coupling Assembly (Urinal Models)

† Part No. varies with valve model variation; consult factory.

22C. **SEE SLIP JOINT GASKETS AND RINGS TABLE ON NEXT PAGE**

Item.	Code.	Part #	Description
Items Included with RESS Retrofit and Complete Sloan ECOS Flush Valves			
1	0372055	WES-55-A	Cover/Ring/Sensor Assembly - Dual Flush WC
	0325160	EBV-138-A	Cover/Ring/Sensor Assembly - 1.6 & 1.28 gpf Single Flush WC
	—	EBV-378-A	Cover/Ring/Sensor Assembly - 1.1 gpf Single Flush WC
	0325161	EBV-139-A	Cover/Ring/Sensor Assembly - 1.0 gpf Single Flush Urinal
	0325341	EBV-341-A	Cover/Ring/Sensor Assembly - 0.5 gpf Single Flush
	0325329	EBV-329-A	Cover/Ring/Sensor Assembly - 0.25 gpf Single Flush
	0325273	EBV-324-A	Cover/Ring/Sensor Assembly - 0.125 gpf Single Flush
	0372060	WES-60-A	Cover/Ring/Sensor Assembly w/ Zurn ring - Dual Flush WC
	0325166	EBV-149-A	Cover/Ring/Sensor Assembly w/ Zurn ring 1.6 & 1.28 gpf Single Flush Water Closet
	0325167	EBV-150-A	Cover/Ring/Sensor Assembly w/ Zurn Ring Single Flush Urinal
2	0325246	EBV-191-A	Cover Assembly - Dual Flush
	0325168	EBV-142-A	Cover Assembly - Single Flush
3A	0372033	WES-23-A	Button Cover Assembly with Screws - Dual Flush
	0325172	EBV-130-A	Button Cover Assembly with Screws - Single Flush
	0325242	EBV-182-A	Button Cover Assembly L/OR w/ Screws
3B	0325170	EBV-132-A	Screws (2) and Hex Wrench Only
4	0325169	EBV-131	Lens Window Cover
5	0325210PL	EBV-168	Locking Ring
	0325214PK	EBV-172	Locking Ring - for Zurn valves
6	0325247	EBV-196-A	Module - ECOS Electronic 1.6/1.1 gpf Dual Flush
	—	EBV-383-A	Module - ECOS Electronic 1.1 gpf Single Flush
	3325450	EBV-129-AC	Module - ECOS Electronic 1.6 & 1.28 gpf Single Flush
	0325395	EBV-386 AU	Single Flush 0.125 gpf/0.5 Lpf
	0325396	EBV-387 AU	single Flush 0.25 gpf/1.0 Lpf
	3325451	EBV-129-AU	Module - ECOS Electronic 0.5 & 1.0 gpf Single Flush
7	0325171	EBV-134	Cover Rest Plate
8	3325456	EBV-145-A	Inside Cover Assembly (includes solenoid)
9	3325453	EBV-136-A	Solenoid
10A	†		Flex Tube Diaphragm Assembly
10B	†		Cartridge Assembly
11	†		Flush Volume Regulator
12	3325814	EBV-1017-A	Handle Cap (RESS Retrofit Models only)
13	0325194	EBV-91	Range Adjustment Tool
14	0305823	EBV-22	Strap Wrench
15	0325159	EBV-137	7/64" Hex Wrench
16	0372031	WES-19	English Operation Instruction Plate
	—	WES-22	Spanish Operation Instruction Plate
17.	3388015	H-1015	Flow Control Kit (HEU Only) (Not Shown)
Items Included with Complete Sloan ECOS Valves Only			
17A	3308782	H-633-AA	1" (25 mm) Sweat Solder Kit
17B	3308788	H-636-AA	¾" (20 mm) Sweat Solder Kit
18A	0388000	H-700-A	1" (25 mm) Bak-Chek® Control Stop
18B	0388001	H-700-A	¾" (20 mm) Bak-Chek® Control Stop
19	3308797	H-1010-A	Vandal Resistant Stop Cap
20	0305381PK	EBV-36-A	Valve Body
21A	3393002	V-600-AA	1½" (38 mm) x 10" (254 mm) Vacuum Breaker (Model 8110)
	0323044	V-600-AA	1½" (38 mm) x 23" (584 mm) Vacuum Breaker (Model 8115)
	0393049	V-600-AA	1½" (38 mm) x 26" (660 mm) Vacuum Breaker (Model 8116)
21B	0323117	V-600-AA	¾" (20 mm) x 10" (254 mm) Vacuum Breaker (Model 8186)

The EBV-1020-A Kit is supplied with multiple Flush Volume Regulators. The installer must use the correct Regulator when installing the kit.