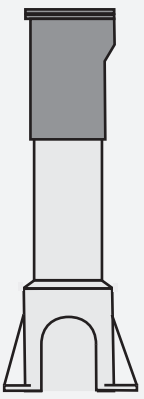


CAST IRON

CURB BOX

6500 SERIES SCREW TYPE C.I.

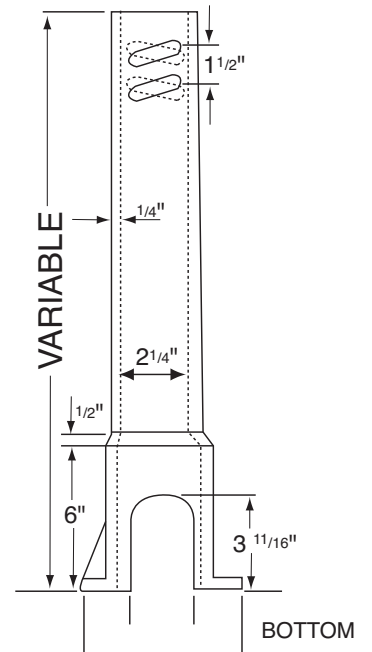


APPROXIMATE WEIGHT—VARIES

NOTES:
NAMEPLATES—WATER, IRRIGATION, NON-POTABLE
FINISH—BLACK BITUMINOUS PAINT

6500 Series, Screw Type with Water Lid

Box (components)	Extension In Inches	Weight
C.I. 89-A(12T&12B)	15-21	20 lb
C.I. 90-B(12T&15B)	18-24	21 lb
C.I. 90-C(15T&15B)	21-27	22 lb
C.I. 91-C(15T&21B)	24-33	24 lb
C.I. 92-C(15T&27B)	30-39	26 lb
C.I. 92-D(18T&27B)	30-42	28 lb
C.I. 93-D(18T&33B)	36-48	32 lb
C.I. 93-E(24T&33B)	36-54	37 lb
C.I. 94-E(24T&39B)	42-60	41 lb
C.I. 95-E(30T&39B)	41-64	44 lb
C.I. 100-E(24T&21Bš Ext)	54-72	50 lb
C.I. 100-F(30T&21B&#154 Ext)	54-78	53 lb
C.I. 101-F(30T&27Bš Ext)	60-84	55 lb



Top Section with Water Lid

Item	Weight
C.I. 12T	11 lb
C.I. 15T	12 lb
C.I. 18T	14 lb
C.I. 24T	19 lb
C.I. 30T	22 lb

Bottom Only

Item	Weight
C.I. 12B	9 lb
C.I. 15B	10 lb
C.I. 21B	12 lb
C.I. 27B	14 lb
C.I. 33B	18 lb
C.I. 39B	22 lb

