

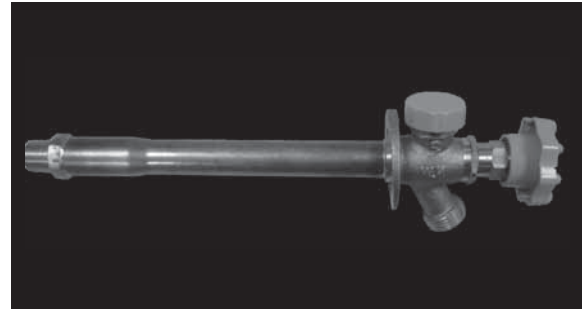


Available Parts

- PF74CART** Replacement cartridge (PF74 series only)
- PF74VBKIT** Vacuum breaker repair kit (PF73/74 series)
- PFRKLK** Optional loose key (PF74 series only)

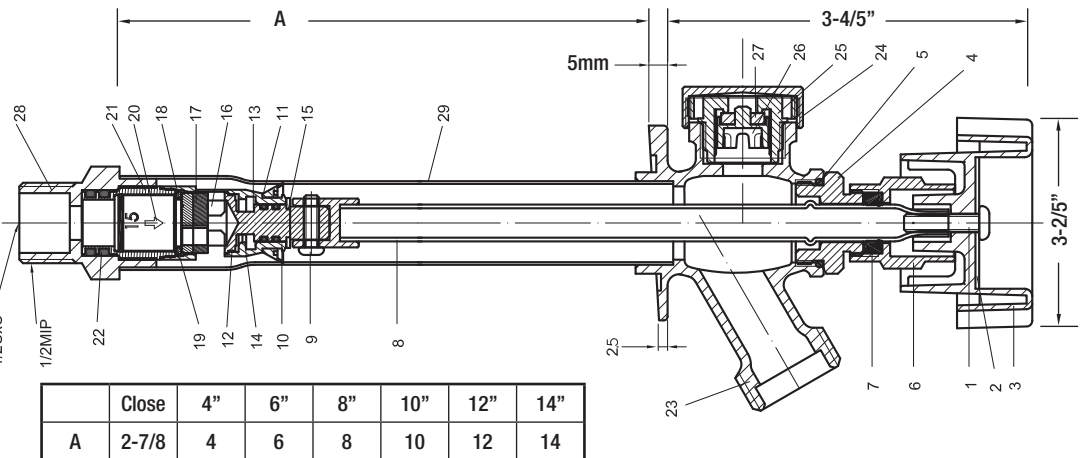
Product Features

- 1/2 turn operation
- Frostproof design
- Ceramic disc technology
- Handwheel or optional loose key operation
- Large solid angled enclosed flange
- Connections available:
 - 1/2" m x 1/2" swt
 - 3/4" m x 1/2" fpt
 - 1/2" pex
 - 1/2" cpvc
- Lengths available: CC thru 14"
- 6.87 GPM flow @ 25 psi

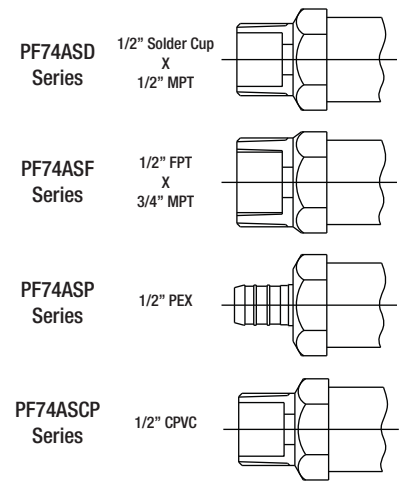
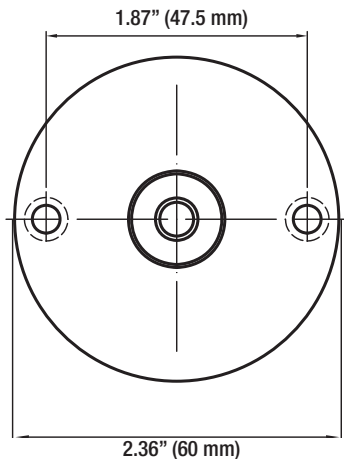


PF74

ITEM	DESCRIPTION	MATERIAL	QTY
1	Screw	Brass	1
2	Label	Aluminum	1
3	Handle	ABS	1
4	Nut	Brass	1
5	O-Ring	NBR	1
6	Nut	Brass	1
7	Washer	NBR	1
8	Stem	Brass	1
9	Set Screw	Stainless	1
10	Clip	Stainless	1
11	Packing	NBR	1
12	Cover	Brass	1
13	O-Ring	NBR	2
14	Washer	Teflon	1
15	Stem	Brass	1
16	Fix Ceramic	Ceramic	1
17	Movement	Ceramic	1
18	Washer	Silicon	1
19	Washer	Brass	1
20	Check Valve	POM	1
21	Valve Base	Brass	1
22	O-Ring	Vition	2
23	Body	Brass	1
24	Nut	ABS	1
25	Screw	POM	1
26	Stem	POM	1
27	Seat	Brass	1
28	Adapter	Brass	1
29	Body Tube	Copper*	1



	Close	4"	6"	8"	10"	12"	14"
A	2-7/8	4	6	8	10	12	14



* Chrome plated version has brass body tube

Warranty and Codes

This PROFLO product carries a 1-year limited warranty. Complies with ANSI/NSF61-9, ASSE 1019-C and cUPC/IAPMO approved.