

Features

- Cross handle.
- Push-button diverter.
- KOHLER finishes resist corrosion and tarnishing, exceeding industry durability standards by over two times.
- High-temperature limit stop allows you to preset a comfortable maximum temperature to eliminate scalding.
- Completes Purist design solution with KOHLER fixtures and accessories.

Material

- Premium construction ensures durability and reliability.

Required Accessories

- K- 304-CS Pressure-balancing Valve With Stops
- or
- K- 304-CX Pressure-balancing Valve Less Stops
- or
- K- 304-K Pressure-balancing Valve Less Stops
- or
- K- 304-KS Pressure-balancing Valve With Stops
- or
- K- 304-PS Pressure-balancing Valve With Stops
- or
- K- 304-PX Pressure-balancing Valve Less Steps
- or
- K- 304-US Pressure-balancing Valve With Stops
- or
- K- 304-UX Pressure-balancing Valve Less Stops
- or
- K- 2971-KS 3/4" Pressure-balancing Valve
- or
- K- 11748-K Pressure-Balancing Valve w/Diverter
- or
- K- 11748-KS Pressure-Balancing Valve w/Diverter

Optional Accessories

- 88526 Thin Wall Trim Kit
- 1016154 Right-Temp Deep Rough-In



ADA

Codes/Standards




ASME A112.18.1/CSA B125.1
ASSE 1016
ADA
ICC/ANSI A117.1

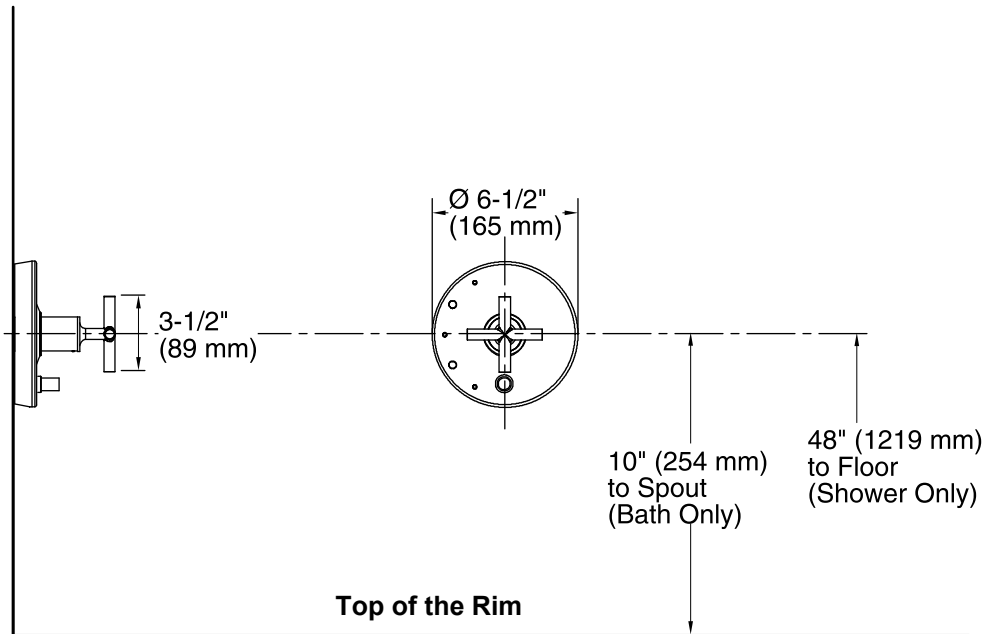
KOHLER® Faucet Lifetime Limited Warranty

See website for detailed warranty information.

Available Color/Finishes

Color tiles intended for reference only.

Color	Code	Description
	CP	Polished Chrome
	BN	Vibrant® Brushed Nickel
	BV	Vibrant® Brushed Bronze



Technical Information

All product dimensions are nominal.

Notes

Install this product according to the installation guide.

NOTICE: Risk of product damage. Long screws, for installing trim, can damage the K-2971-KS valve. Consult the trim installation guide to verify if the thin wall installation kit (88526) is needed.

Avoid cross-flow conditions. Do not install shut-off device on either valve outlet.

Cap shower outlet if deck-mount spout, diverter, or handshower is connected to spout outlet.

Install straight pipe or tube drop of 7" (178 mm) to 18" (457 mm) with single elbow between valve and wall-mount spout.

ADA compliant when installed to the specific requirements of these regulations.