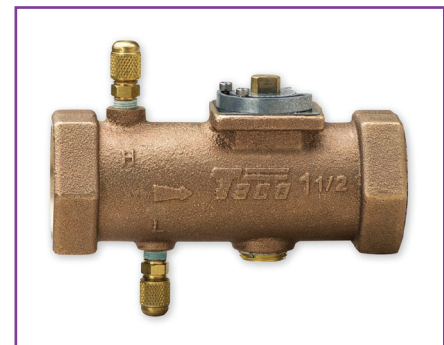
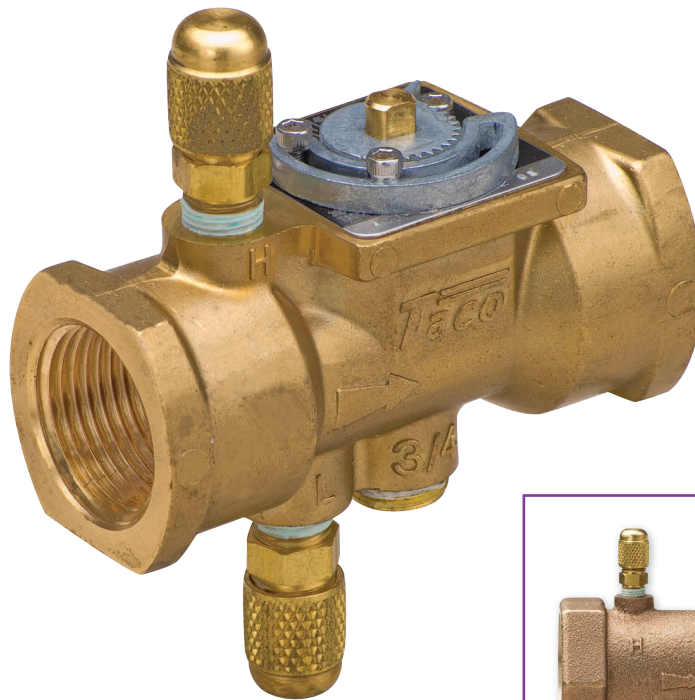


ACCU-FLO Balancing Valve

The Taco Accu-Flo combines superior engineering and design, precision machining and 100% factory testing to ensure the highest quality fixed port venturi balancing valve on the market today. Accuracy of the Taco Accu-Flo is 4-5 times greater than variable orifice balancing valves.



ACCU-FLO Balancing Valve is the sta

THE BENEFITS OF TACO FIXED PORT VENTURI BALANCING

Don't sacrifice your system's efficiency by using an outdated conventional variable orifice balancing valve where the norm is poor balancing accuracy, high pressure drops, low regains, and inability to read low flows.

SAVE YOUR SYSTEM...

The Taco Accu-Flo Balancing Valve Offers:

- Accuracy 4-5 times greater than variable orifice balancing valves.
- Flow measurement independent of stem and ball position.
- Ability to read nameplate setting not required to determine flow.
- Tamper resistant memory stop for accurate resetting.
- Positive shut-off.
- Ability to read low flows.

The Taco Accu-Flo combines superior engineering and design, precision machining and 100% factory testing to ensure the highest quality fixed port venturi balancing valve on the market today.

QUALITY THROUGH DESIGN...

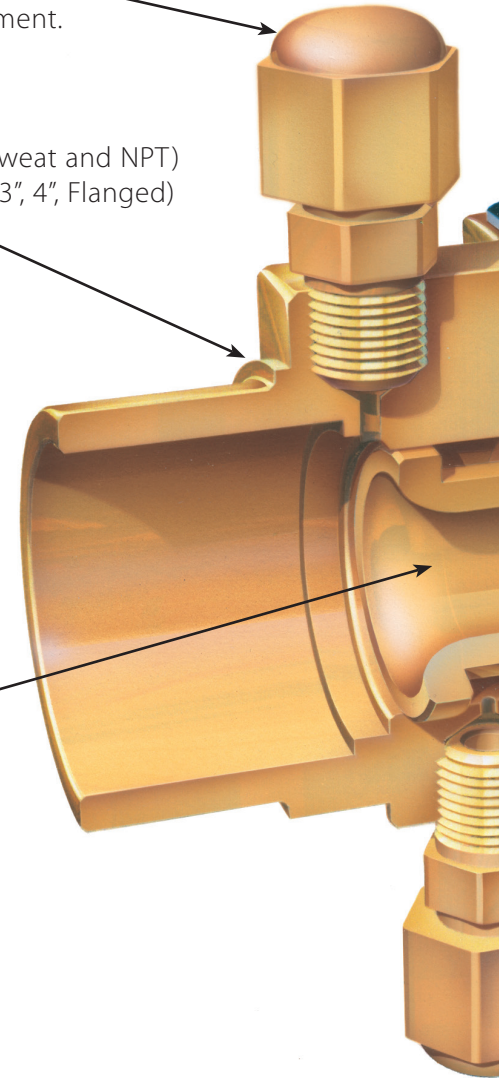
The Taco Accu-Flo Balancing Valve Features:

- Modified venturi design.
- Blowout-proof stem.
- Ball valve construction.
- Calibrated nameplate for presetting.
- Rated to: 1/2"-2": 300 PSI, 250°F;
2-1/2"-4": Class 125

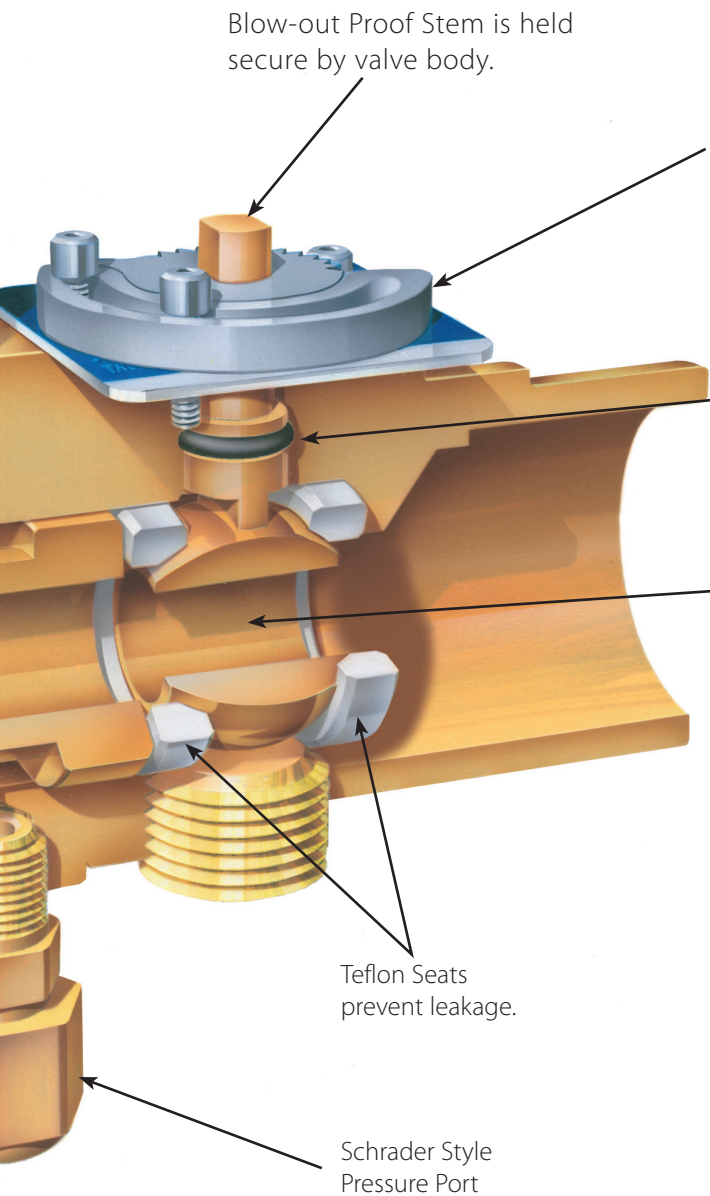
Schrader Style Pressure Port allows for easy differential pressure gauge attachment.

Bronze Body (1/2"-2", Sweat and NPT)
Cast Iron Body (2-1/2", 3", 4", Flanged)

Modified Venturi Flow Measurement section ensures precise and consistent differential readings, even at low flows, for accurate valve setting.



Standard for accuracy & dependability.



Blow-out Proof Stem is held secure by valve body.



Calibrated Nameplate with tamper resistant memory stop.

Fast and accurate resetting if shut off feature is used.

O-Ring Seal prevents leakage.

Accu-Flo can be installed in any position.

Ball Valve construction for reliable use as a balancing and shut-off valve.

Teflon Seats prevent leakage.

Schrader Style Pressure Port

Accu-Flo functions as a positive shut-off valve when in the "closed" position, to allow for maintenance and/or service work on the system.

Precision machining, tight tolerances, and 100% factory testing ensures the highest quality valve.

Flow measurement does not depend on the position of the stem and ball.

Differential Pressure Gauge

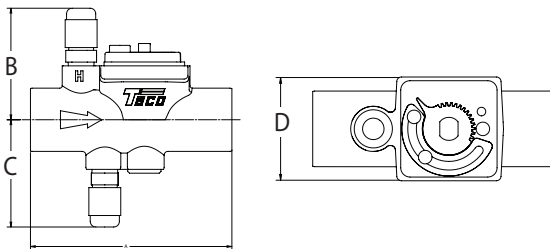
To achieve the greatest accuracy, use the Taco 779 Dual Readout Meter

Model No.	Reading Range	% of Accuracy Full Scale
779	0-10" 0-100"	3% 3%

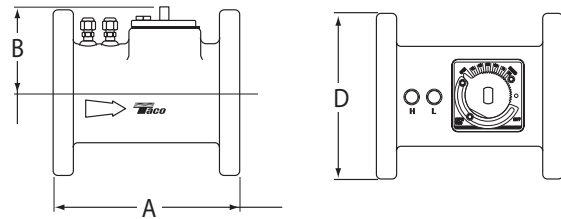
ACCU-FLO DIMENSIONS

Size	Product#	Conn	A		B		C		D		Material		Approx. Weights		Cv Full Open Position
			In.	mm	In.	mm	In.	mm	In.	mm	Body	Venturi	lbs.	kg	
1/2"	ACUF-050-AC	Sweat	3-3/4	82	2	51	2	51	1-1/2	38	Bronze	Brass	7/8	.4	2.12
	ACUF-050-AT	NPT	3-3/4	82	2	51	2	51	1-1/2	38	Bronze	Brass	7/8	.4	
3/4"	ACUF-075-AC	Sweat	3-3/4	82	2-1/8	54	2-1/8	54	1-1/2	38	Bronze	Brass	7/8	.4	3.9
	ACUF-075-AT	NPT	3-3/4	82	2-1/8	54	2-1/8	54	1-1/2	38	Bronze	Brass	1-1/4	.6	
1"	ACUF-100-AC	Sweat	4	101	2-1/8	57	2-1/8	54	1-5/8	41	Bronze	Brass	1-1/8	.5	8.4
	ACUF-100-AT	NPT	4	101	2-1/8	57	2-1/8	54	1-5/8	41	Bronze	Brass	1-3/8	.6	
1-1/4"	ACUF-125-AC	Sweat	5-1/8	130	2-1/2	63	2-1/2	60	2	51	Bronze	Brass	3-1/8	1.4	17.3
	ACUF-125-AT	NPT	5-1/8	130	2-1/2	63	2-1/2	60	2-1/4	57	Bronze	Brass	3-1/4	1.5	
1-1/2"	ACUF-150-AC	Sweat	5-7/8	149	2-5/8	67	2-5/8	64	2-3/16	56	Bronze	Brass	3-3/4	1.7	28.3
	ACUF-150-AT	NPT	5-7/8	149	2-5/8	67	2-5/8	64	2-3/4	70	Bronze	Brass	4-3/8	2.0	
2"	ACUF-200-AC	Sweat	6-3/4	171	2-3/4	70	2-3/4	70	2-3/4	70	Bronze	Brass	5-7/8	2.7	62.3
	ACUF-200-AT	NPT	6-3/4	171	2-3/4	70	2-3/4	70	3-3/8	86	Bronze	Brass	7	3.2	
2-1/2"	ACUF-250-AF	Flanged	8	200	3-5/8	92	---	---	7	178	Cast Iron	TFE	24	10.9	122
3"	ACUF-300-AF	Flanged	8-3/16	255	4	102	---	---	7-1/2	191	Cast Iron	TFE	32	14.3	212
4"	ACUF-400-AF	Flanged	10	250	4-3/4	121	---	---	9	229	Cast Iron	TFE	60	26.9	444

1/2" - 2" SWEAT AND THREAD



2-1/2", 3", 4" FLANGED



FLOW MEASUREMENT CHART

