

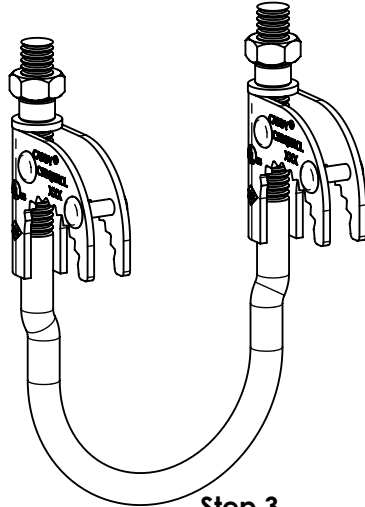
CSBQIKCL

Quick Grip Jr. Lateral Brace or Restraint Device

***Global Part Number	Service Pipe Size	
	Inch	mm
CSBQIKCL0100(XX)	1	25
CSBQIKCL0125(XX)	1 1/4	32
CSBQIKCL0150(XX)	1 1/2	40
CSBQIKCL0200(XX)	2	50

***(XX) = Finish Specifier

Step 1

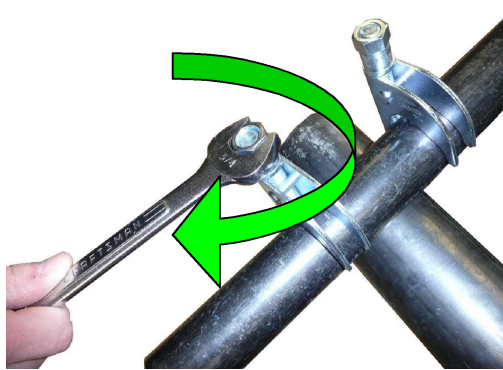


***Part Number	Installation Torque	
	ft-lb	N-m
CSBQIKCL0100(XX)	20-25	27-34
CSBQIKCL0125(XX)	20-25	27-34
CSBQIKCL0150(XX)	20-25	27-34
CSBQIKCL0200(XX)	20-25	27-34

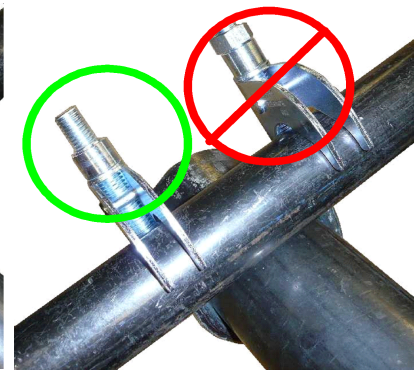
Step 2



Step 3



Step 4



Sway brace assemblies are intended to be installed in accordance with NFPA®-13 and the manufacturer's installation instructions.

WARNING:

1. nVent products shall be installed and used only as indicated in nVent product instruction sheets and training materials. Instruction sheets are available at www.nVent.com and from your nVent customer service representative.
2. nVent products must never be used for a purpose other than the purpose for which they were designed or in a manner that exceeds specified load ratings.
3. All instructions must be **completely** followed to ensure proper and safe installation and performance.
4. Improper installation, misuse, misapplication or other failure to completely follow nVent's instructions and warnings may cause product malfunction, property damage, serious bodily injury and/or death, and void your warranty.
5. Products that are manufactured using spring steel components shall be used only in a non-corrosive indoor environment.
6. All pipe supports, hangers, intermediate components and structural attachments must **ONLY** be used as described herein and are **NEVER** to be used for any other purpose.

NOTE: All load ratings are for static conditions and do not account for dynamic loading such as wind, water or seismic loads, unless otherwise noted.

The customer is responsible for:

- a. Conformance to all governing codes.
- b. The integrity of structures to which the products are attached, including their capability of safely accepting the loads imposed, as evaluated by a qualified engineer.
- c. Using appropriate industry standard hardware as noted above.

SAFETY INSTRUCTIONS:

All governing codes and regulations and those required by the job site must be observed. Always use appropriate safety equipment such as eye protection, hard hat, and gloves as appropriate to the application.

Dyna-Flow is a registered trademark of Allied Tube and Conduit Corporation.
 FM is a registered certification mark of FM Approvals LLC, LTD.
 NFPA is a registered trademark of National Fire Protection Association, Inc.
 UL is a registered trademark of UL LLC.

nVent, nVent CADDY, nVent ERICO Cadweld, nVent ERICO Critec, nVent ERICO, nVent ERIFLEX, and nVent LENTON are owned by nVent or its global affiliates. All other trademarks are the property of their respective owners. nVent reserves the right to change specifications without prior notice.

TECHNICAL SUPPORT:
www.nVent.com

CFS399_K

1 OF 10

© 2008-2018 nVent All Rights Reserved



CSBQIKCL

Quick Grip Jr. Lateral Brace or Restraint Device

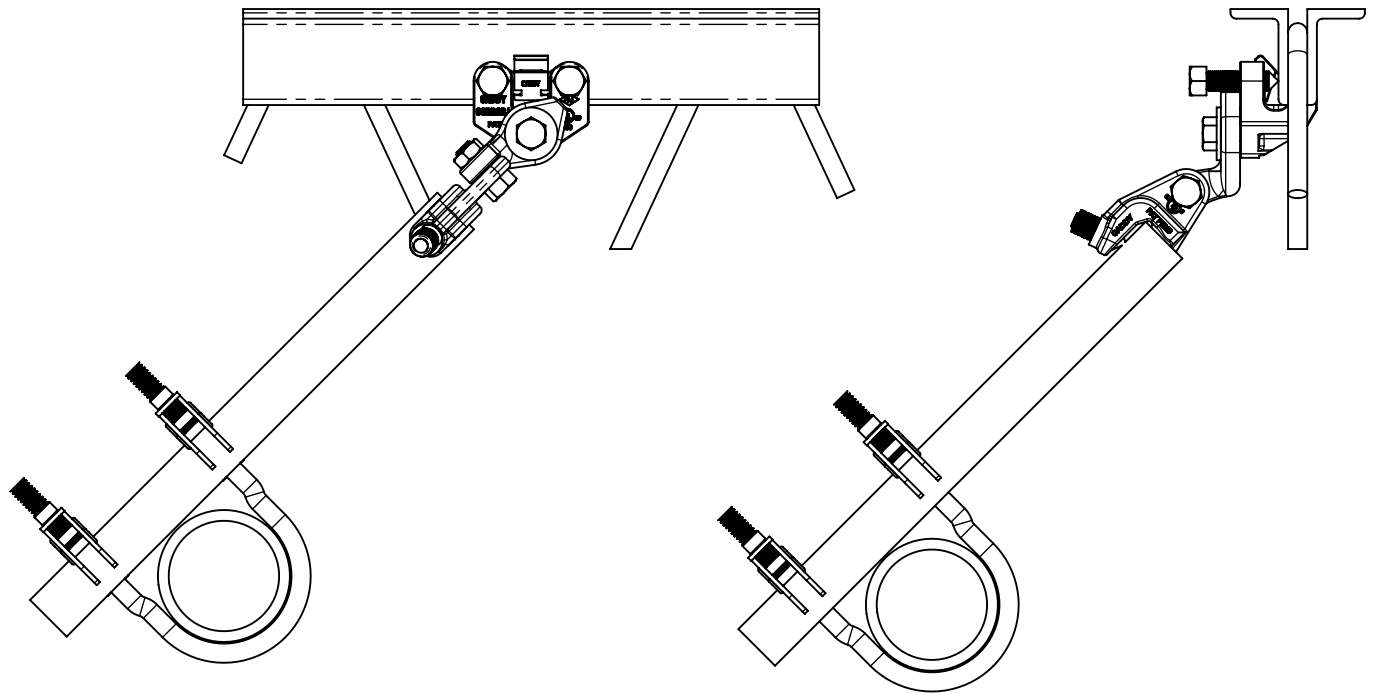
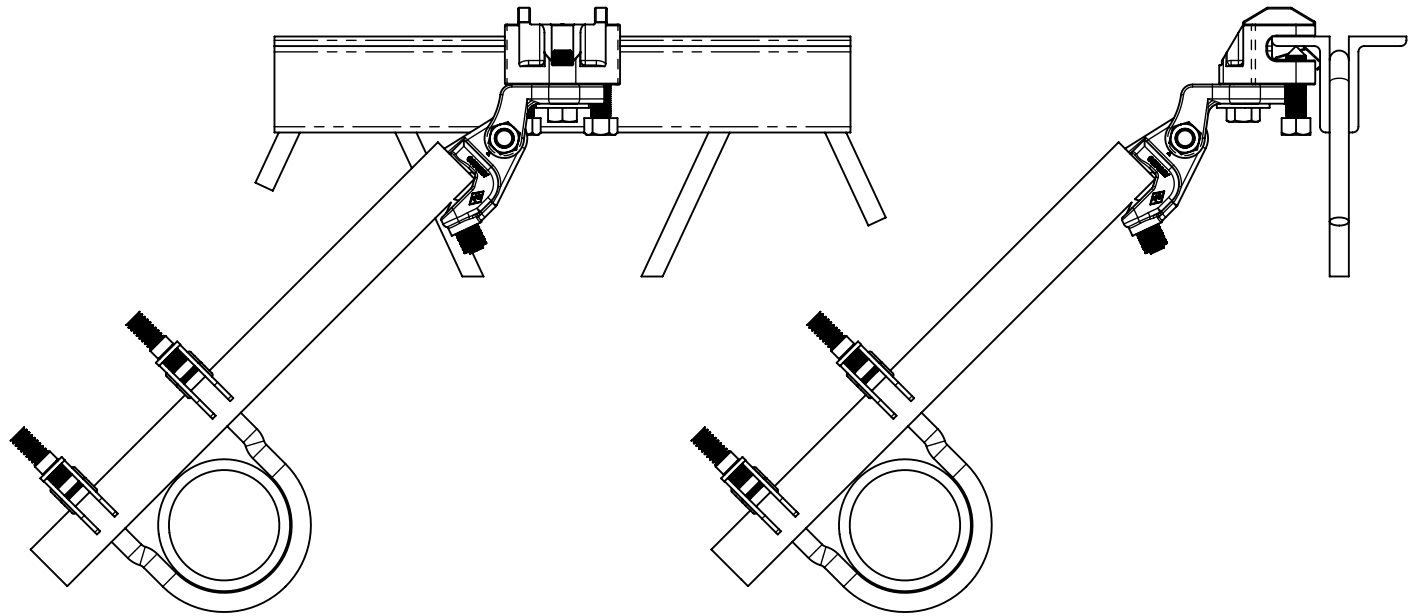
*** Global Part Number	Service Pipe Size		Pipe Schedule	FM® Horizontal Load Ratings lbs (N)				
				Installation Angle				
	Inch	mm		30° -44°	45° -59°	60° -74°	75° -90°	
CSBQIKCL0100(XX) CSBQIKCL0125(XX) CSBQIKCL0150(XX)	1	25	LW	290	410	495	550	
	1-1/4	32		(1290)	(1830)	(2200)	(2445)	
	1-1/2	39						
	CSBQIKCL0200(XX) CSBQIKCL0250(XX) CSBQIKCL0300(XX) CSBQIKCL0350(XX)	1	25	10	150	210	280	315
		1-1/4	32		(665)	(935)	(1245)	(1400)
		1-1/2	39					
		1	25	40	475	665	825	925
		1-1/4	32		(2115)	(2960)	(3670)	(4115)
		1-1/2	39					
	2	50	LW	390	550	670	750	
	2-1/2	62		(1735)	(2445)	(2980)	(3335)	
	3	75						
		2	50	10	350	500	620	690
		2-1/2	62		(1555)	(2225)	(2760)	(3070)
		3	75					
		2	50	40	490	690	850	950
		2-1/2	62		(2180)	(3070)	(3780)	(4225)
		3	75					
CSBQIKCL0400(XX)	4	100	LW	470	660	810	910	
	4	100	10	(2090)	(2935)	(3605)	(4050)	
	4	100	40	510	730	890	990	
	4	100		(2270)	(3245)	(3960)	(4405)	
	4	100		500	710	870	970	
	4	100		(2225)	(3160)	(3870)	(4315)	

- (1) Load ratings for Schedule 40 above may also be applied to GB/T 3091, EN 10255 (Heavy), and JIS G3454 pipe.
- (2) Load ratings for Schedule 10 above may also be applied to GB/T 3091, EN 10255 (Medium or Heavy), JIS G3452, FM approved Thinwall, and Schedule 40 pipes unless otherwise indicated.
- (3) Load ratings for LW above refers to FM Approved Lightwall Pipe, commonly referred to as "Schedule 7". These ratings may also be applied to EN 10220, and GB/T 8163 pipe unless otherwise specified.

UL® Loads (Listed for Restraints)			
Part Number	Service Pipe Schedule	Lateral	
		1" Brace Pipe	1 1/4" Brace Pipe
CSBQIKCL0100XX	Dyna-Flow®	N/A	N/A
	10	655 lb (2,914 N)	655 lb (2,914 N)
	40	655 lb (2,914 N)	655 lb (2,914 N)
CSBQIKCL0125XX	Dyna-Flow®	655 lb (2,914 N)	540 lb (2,402 N)
	10	655 lb (2,914 N)	540 lb (2,402 N)
	40	655 lb (2,914 N)	540 lb (2,402 N)
CSBQIKCL0150XX	Dyna-Flow®	750 lb (3,337 N)	655 lb (2,914 N)
	10	750 lb (3,337 N)	655 lb (2,914 N)
	40	750 lb (3,337 N)	655 lb (2,914 N)
CSBQIKCL0200XX	Dyna-Flow®	750 lb (3,337 N)	540 lb (2,402 N)
	10	750 lb (3,337 N)	540 lb (2,402 N)
	40	750 lb (3,337 N)	540 lb (2,402 N)

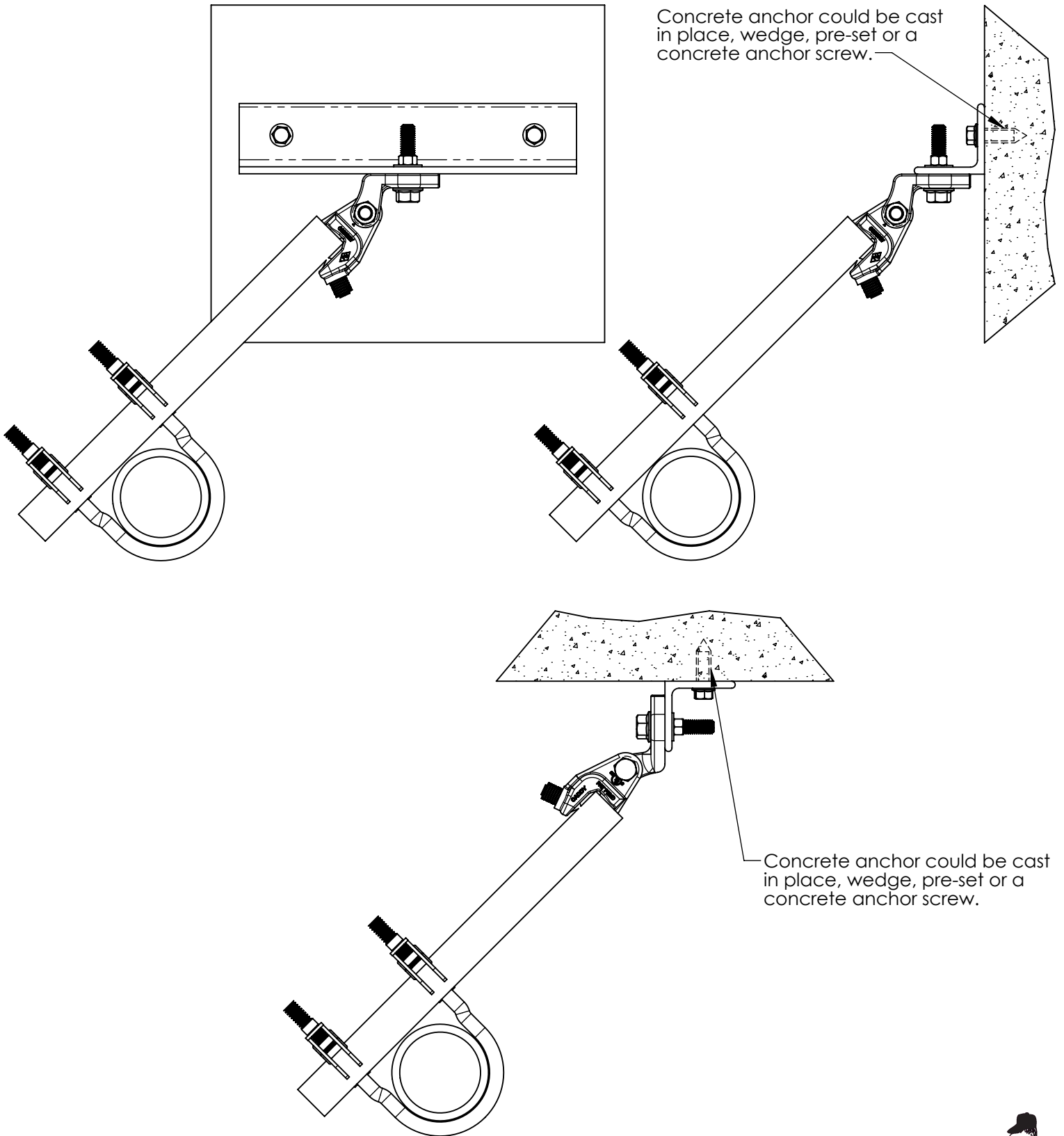
CSBQIKCL

Quick Grip Jr. Lateral Brace or Restraint Device



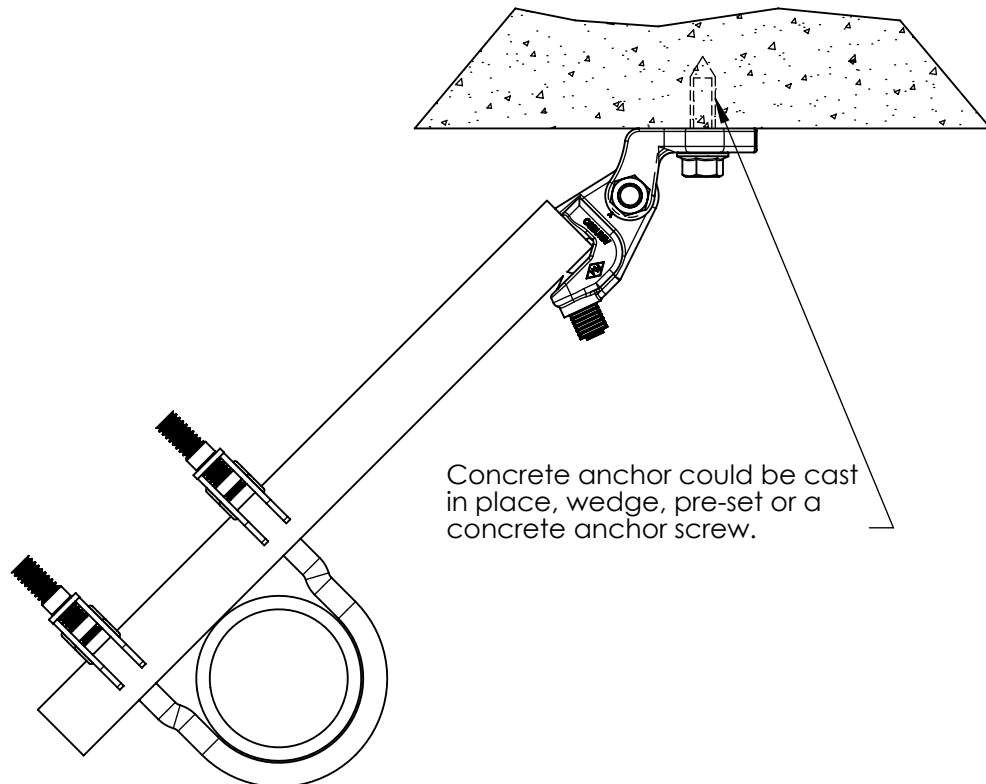
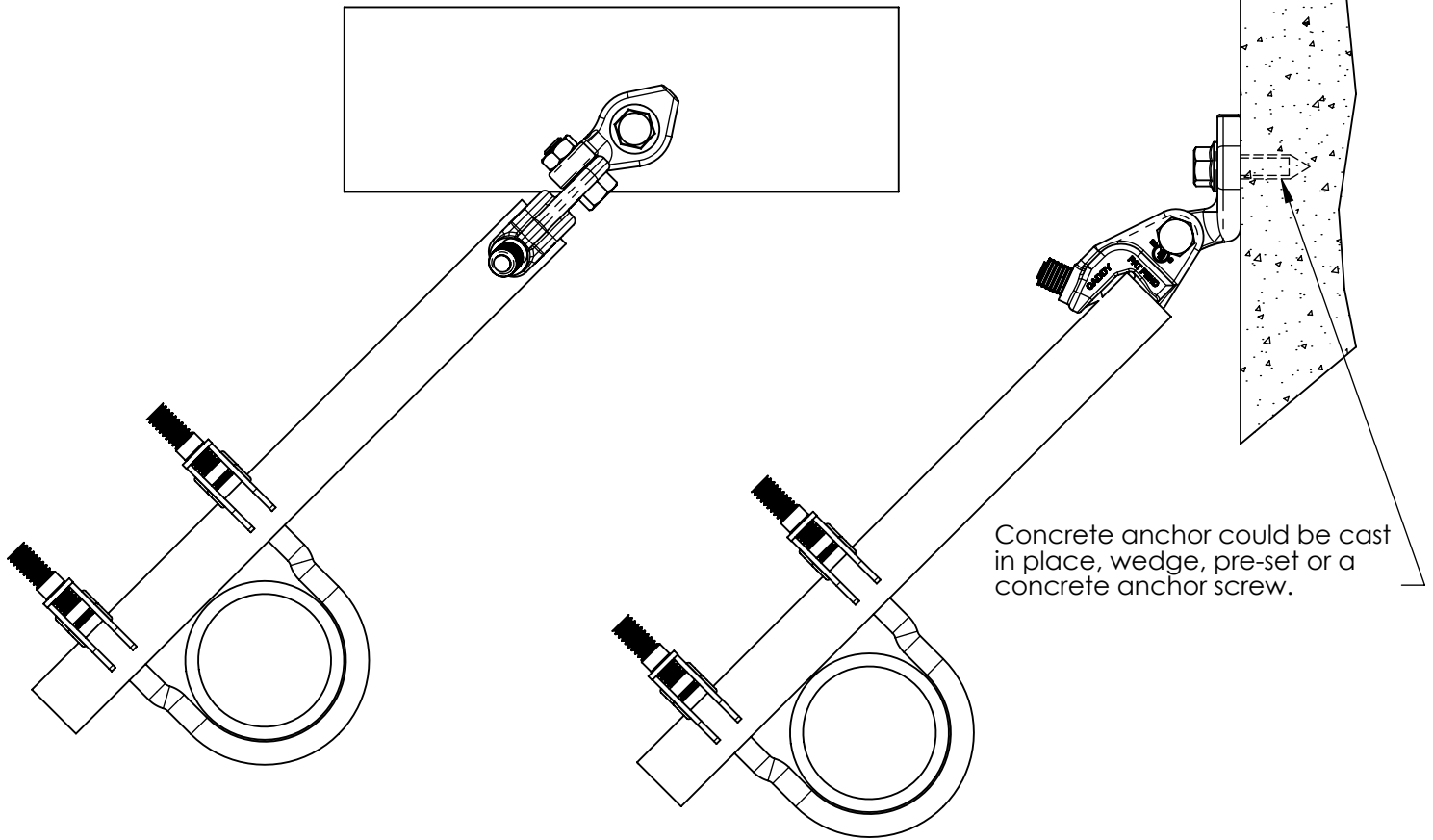
CSBQIKCL

Quick Grip Jr. Lateral Brace or Restraint Device



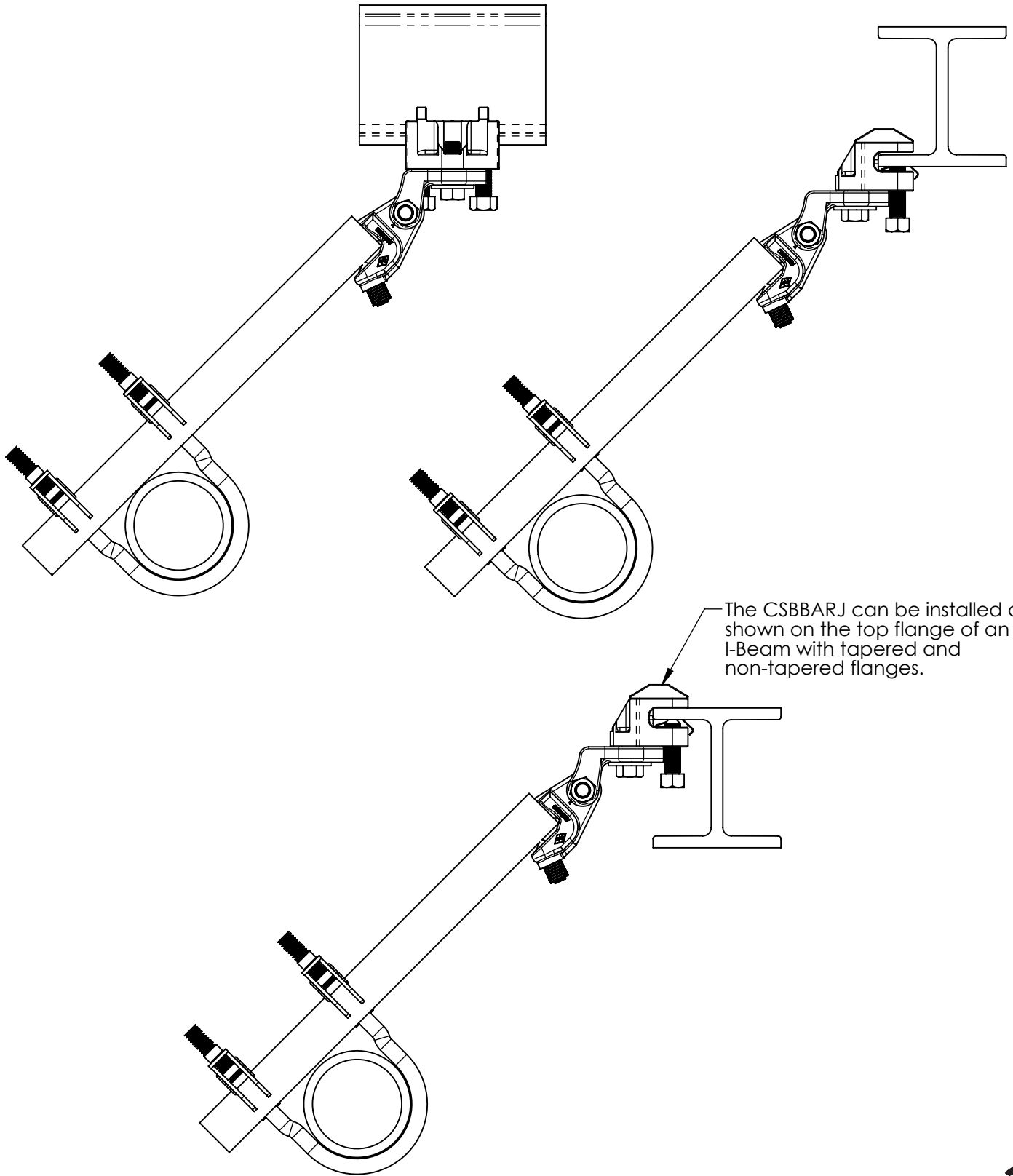
CSBQIKCL

Quick Grip Jr. Lateral Brace or Restraint Device



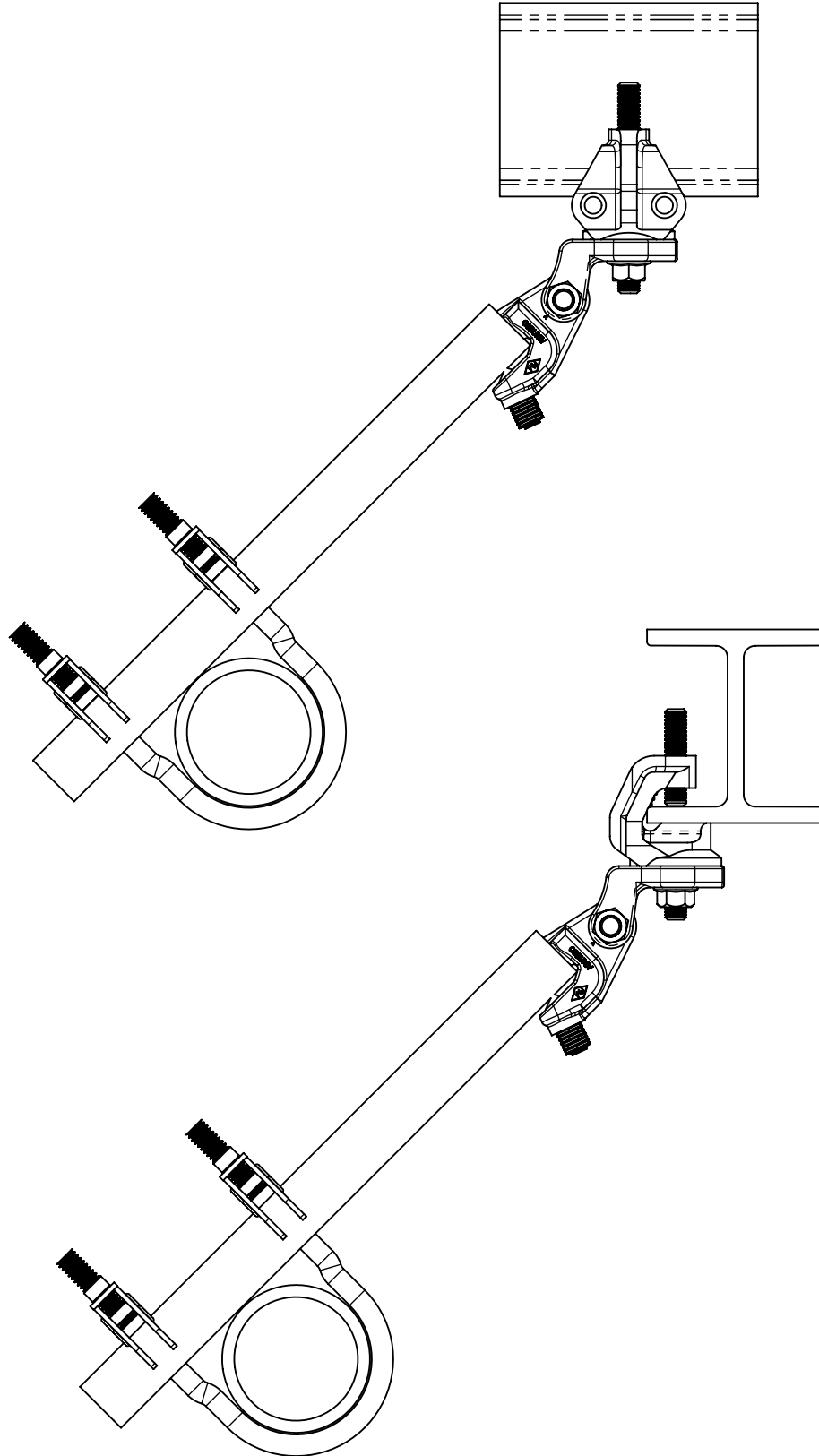
CSBQIKCL

Quick Grip Jr. Lateral Brace or Restraint Device



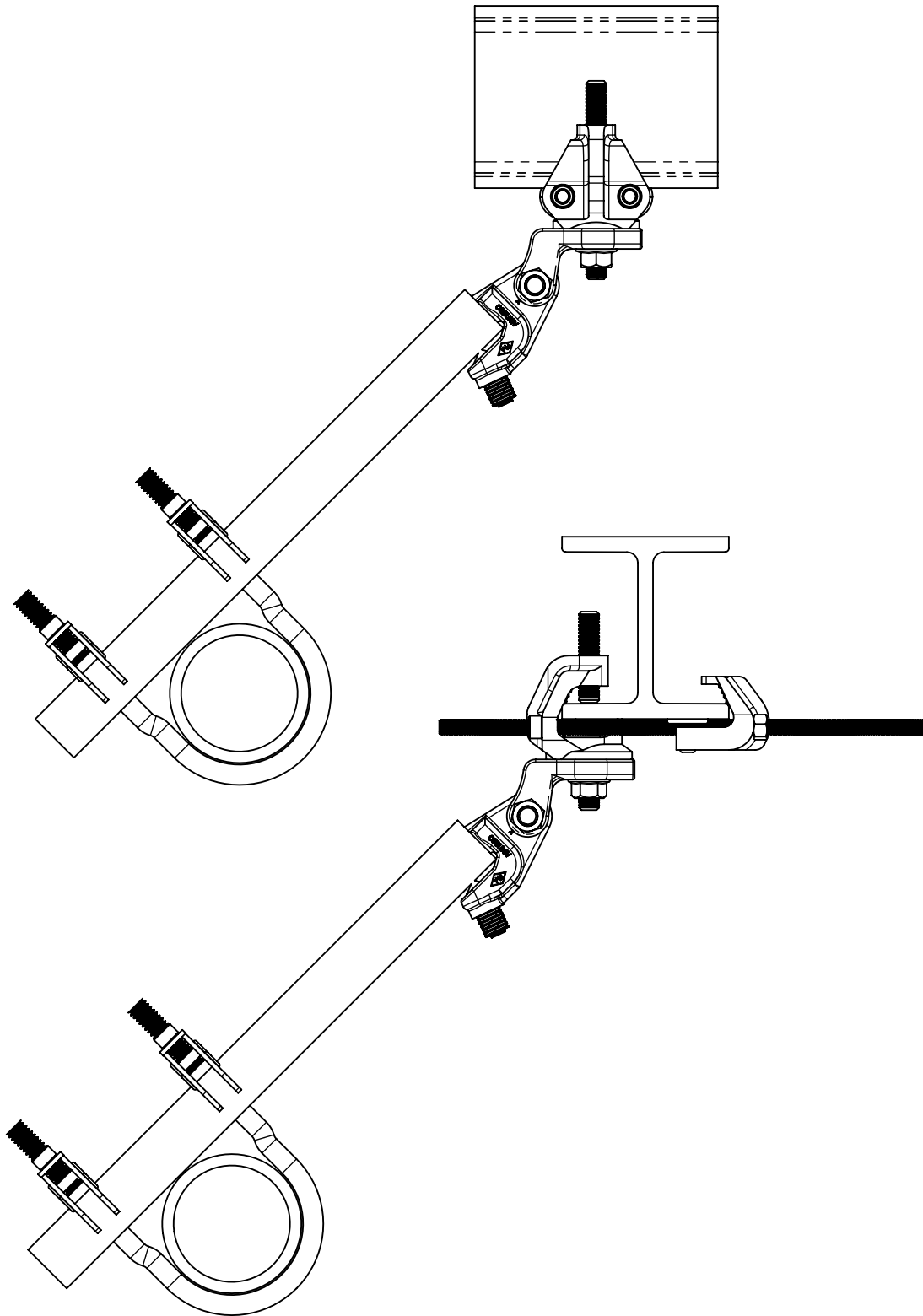
CSBQIKCL

Quick Grip Jr. Lateral Brace or Restraint Device



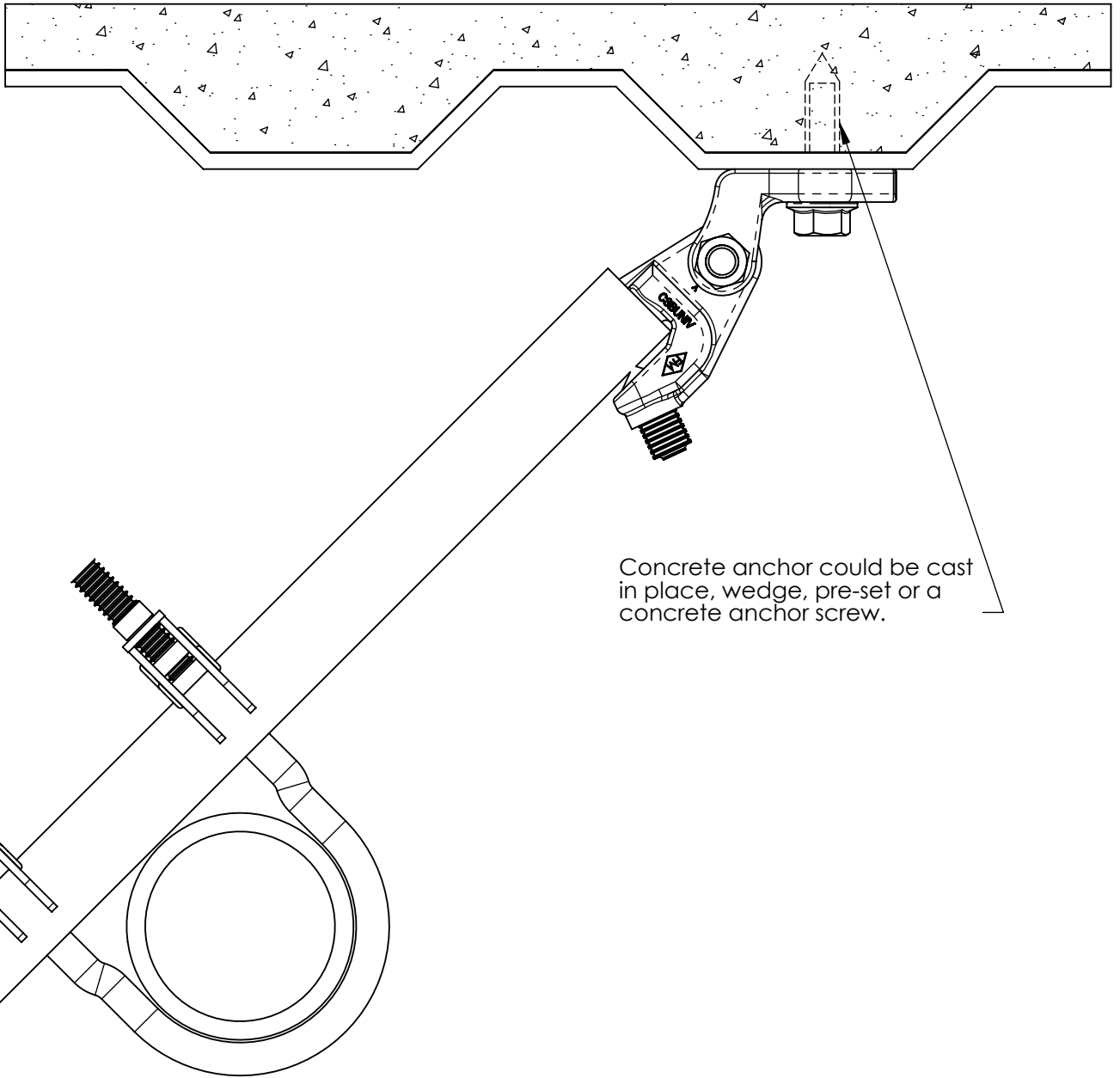
CSBQIKCL

Quick Grip Jr. Lateral Brace or Restraint Device



CSBQIKCL

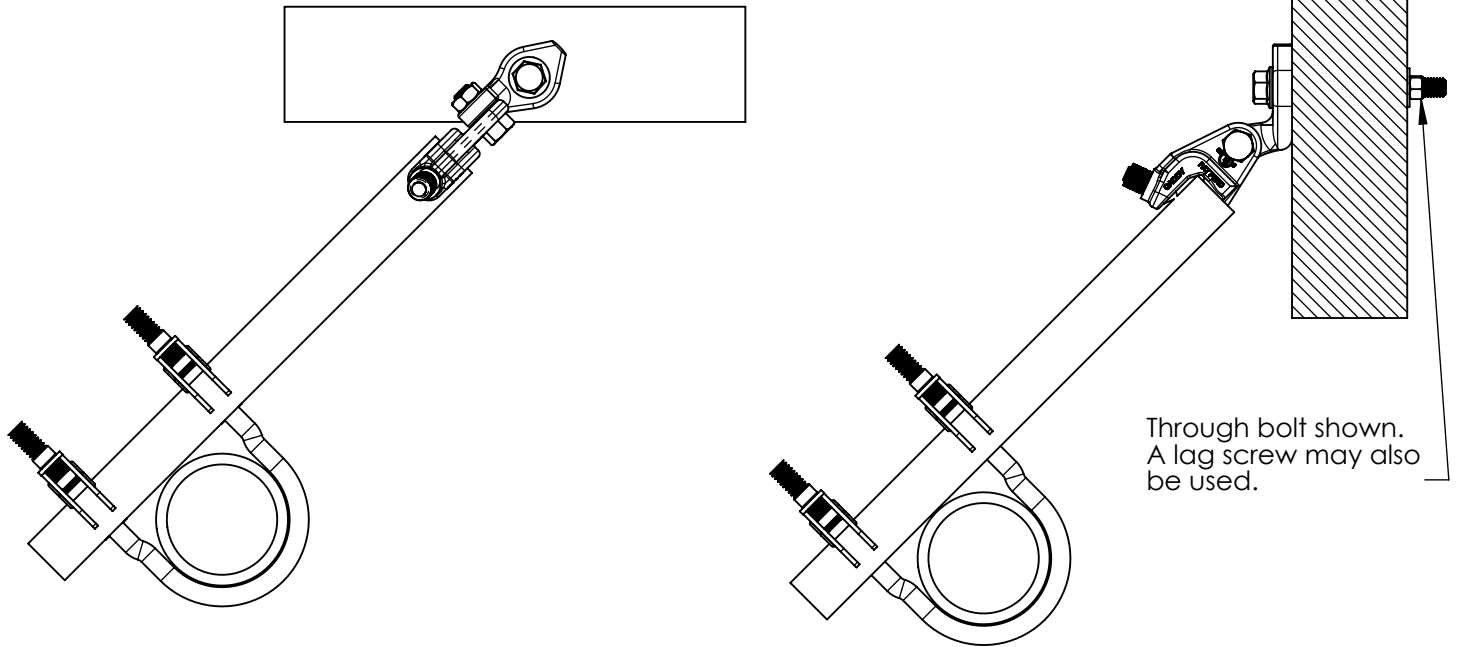
Quick Grip Jr. Lateral Brace or Restraint Device



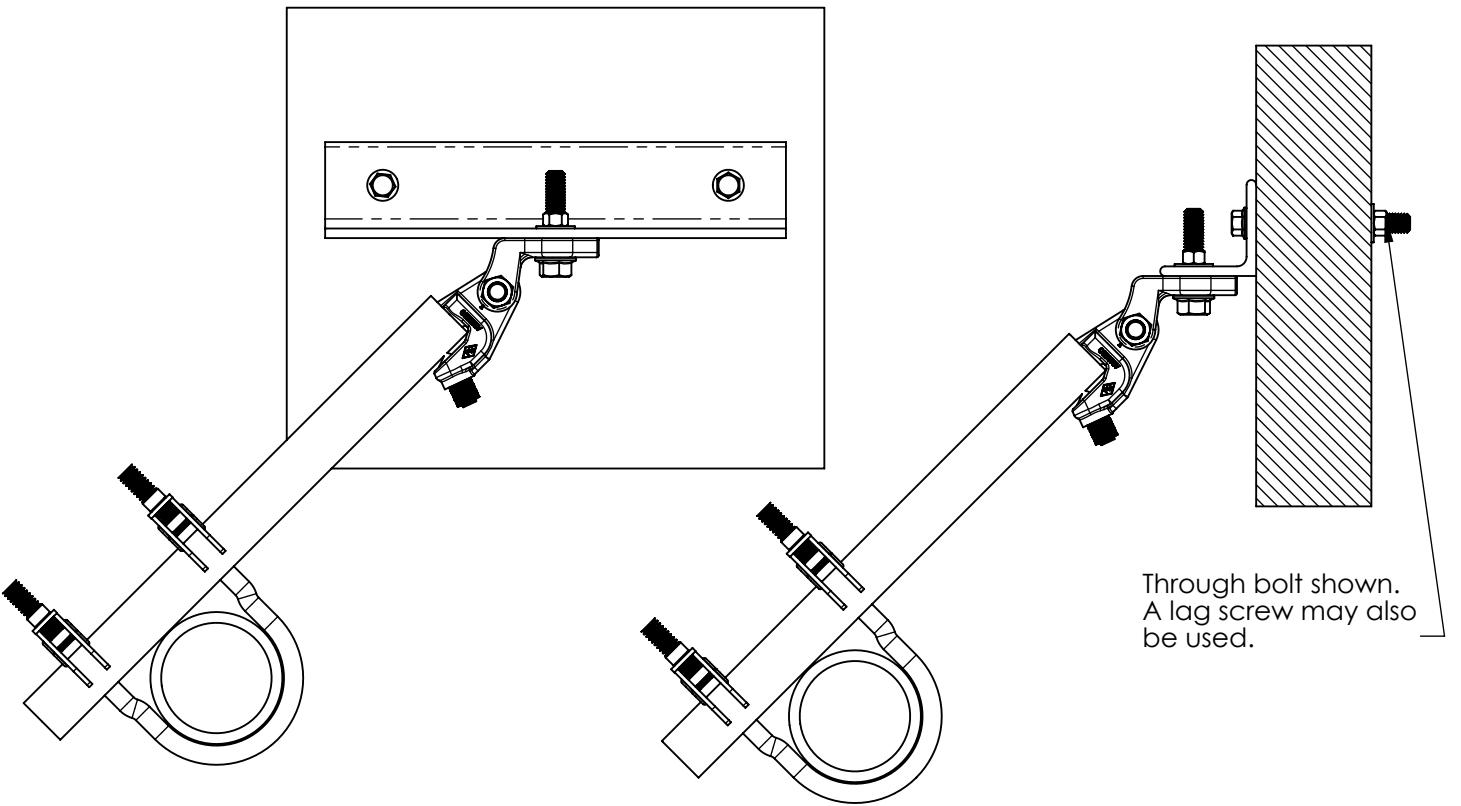
Concrete anchor could be cast in place, wedge, pre-set or a concrete anchor screw.

CSBQIKCL

Quick Grip Jr. Lateral Brace or Restraint Device



Through bolt shown.
A lag screw may also be used.



Through bolt shown.
A lag screw may also be used.