



INSTALLATION, OPERATION & MAINTENANCE INSTRUCTIONS

1455 Kleppe Lane ♦ Sparks, NV 89431-6467 ♦ (775) 359-4712 ♦ Fax (775) 359-7424
HAWS AG ♦ Bachweg 3 ♦ CH-3401 Burgdorf ♦ Switzerland
Haws Mfg. Pte Lt. ♦ 2A Sungei Kadet Drive ♦ Singapore 729554
Avlis-Avenida Senador, Testonio Vilela ♦ 505 Jardim Aeroporto ♦ Itu, S.P. 13304-550 ♦ Brasil
E-mail: haws@hawsco.com ♦ website: www.hawsco.com

No. 2080217(6)

Model 9037 Modesty Curtain

NOTE TO INSTALLER: Please leave this information with the Maintenance Department.

LIMITED WARRANTY

HAWS® warrants that all of its products are guaranteed against defective material or poor workmanship for a period of **one year from date of shipment**. HAWS liability under this warranty shall be discharged by furnishing without charge F.O.B. HAWS Factory any goods, or part thereof, which shall appear to the Company upon inspection to be of defective material or not of first class workmanship, provided that claim is made in writing to company within a reasonable period after receipt of the product. Where claims for defects are made, the defective part or parts shall be delivered to the Company, prepaid, for inspection. HAWS will not be liable for the cost of repairs, alterations or replacements, or for any expense connected therewith made by the owner or his agents, except upon written authority from HAWS, Sparks, Nevada. HAWS will not be liable for any damages caused by defective materials or poor workmanship, except for replacements, as provided above. Buyer agrees that Haws has made no other warranties either expressed or implied in addition to those above stated, except that of title with respect to any of the products or equipment sold hereunder and that HAWS shall not be liable for general, special, or consequential damages claimed to arise under the contract of sale.

The emergency equipment manufactured by HAWS is warranted to function if installation and maintenance instructions provided are adhered to. The units also must be used for the purpose, which they were intended. This product is intended to supplement first-aid treatment. Due to widely varying conditions HAWS cannot guarantee that the use of this emergency equipment will prevent serious injury or the aggravation of existing or prior injuries.

NO OTHER WARRANTIES EXPRESSED OR IMPLIED ARE AUTHORIZED, PROVIDED OR GIVEN BY HAWS.

SHOULD YOU EXPERIENCE DIFFICULTY WITH THE INSTALLATION OF THIS MODEL, PLEASE CALL:

1-800-766-5612

FOR PARTS CALL:

1-800-758-9378

**(U.S.A. AND CANADA ONLY) MONDAY-THURSDAY: 6:00 A.M. – 4:00 P.M. PST
FRIDAY: 6:00 A.M – 1:00 P.M. PST**

RECOMMENDED TOOL: 6" crescent wrench

LOCATION OF UNIT: The Model 9037 Modesty Curtain is designed to be used with all makes of free standing and wall mounted emergency showers.

INSTALLATION PROCEDURE: Refer to installation drawing to clarify installation. Steps 1-3 refer to the Installation Drawing. Check parts lists to insure all required parts are included.

FOR FREE STANDING AND WALL MOUNTED EMERGENCY SHOWERS:

STEP ONE: Place V block (items 3) on the above overhead 1". Then put on U bolt (item 1) over the pipe. Place the two center pieces together into the V-block notch (as shown on drawing on page two). Use the clamp (item 2), washers (item 5) and nuts (item 4) to hold the loop. Do not tighten the nuts.

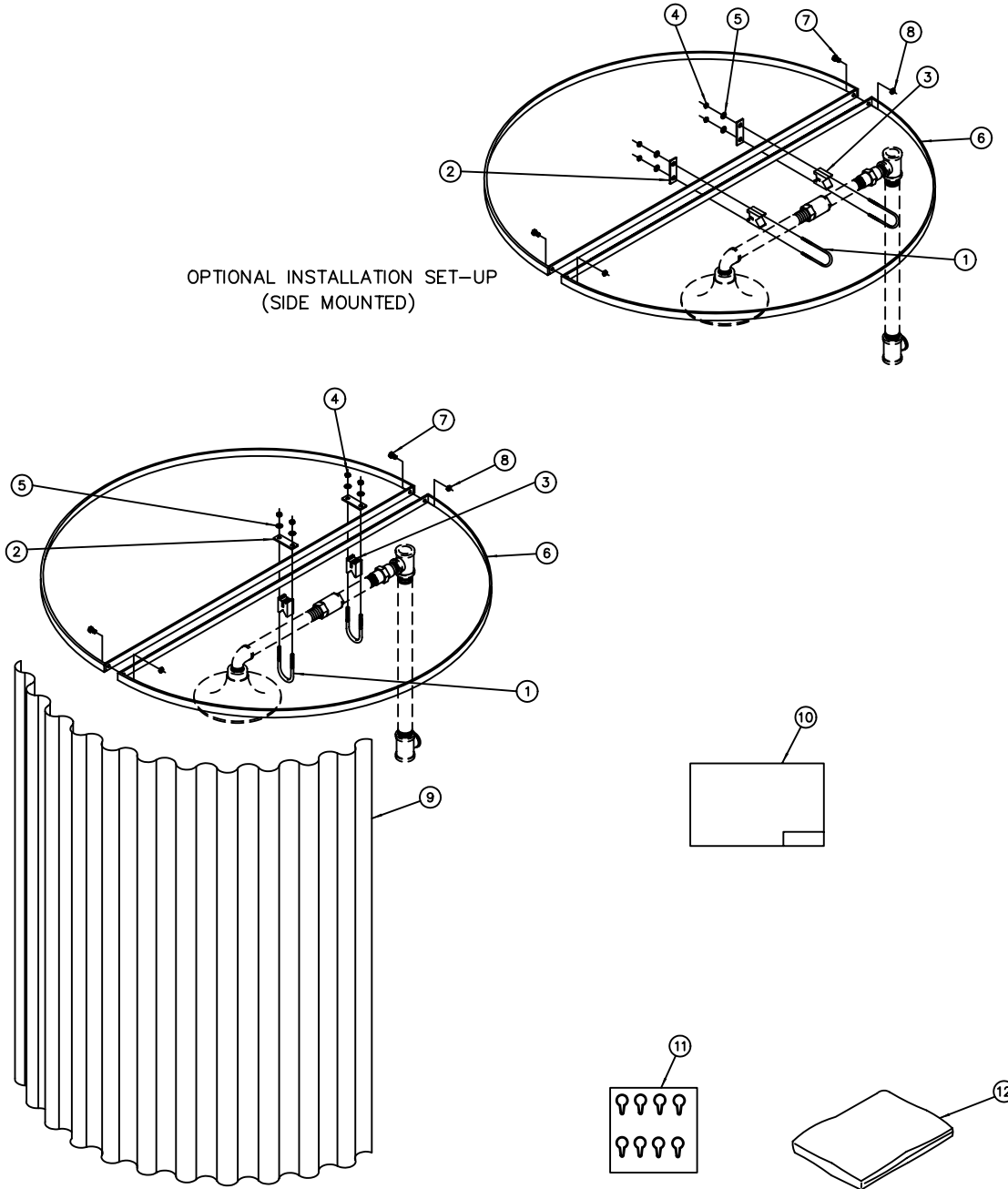
STEP TWO: Assemble the second U bolt/V block assembly according to the instructions in step one. Check the drawing on page one for proper position of the curtain and tighten securely.

STEP THREE: Insert clips (item 11) into the loops (item 6) and attach the curtain (item 9) by making sure that the pockets are in the inside. Insert one modesty gown in each pocket. Test the closing and opening of the curtain to insure that it functions properly.

ITEM	DESCRIPTION
1	BOLT U 5/16-18
2	CLAMP 9037
3	BLOCK 9037
4	NUT 5/16-18 HEX
5	WASHERS
6	LOOP 9037
7	BOLT
8	NUT
9	CURTAIN 9037
10	INSTALLATION INSTRUCTIONS
11	CLIPS 9037
12	MODESTY GOWN

PARTS BREAKDOWN

OPTIONAL INSTALLATION SET-UP
(SIDE MOUNTED)



**WHEN ORDERING
PARTS PLEASE
SPECIFY YOUR
MODEL NUMBER**

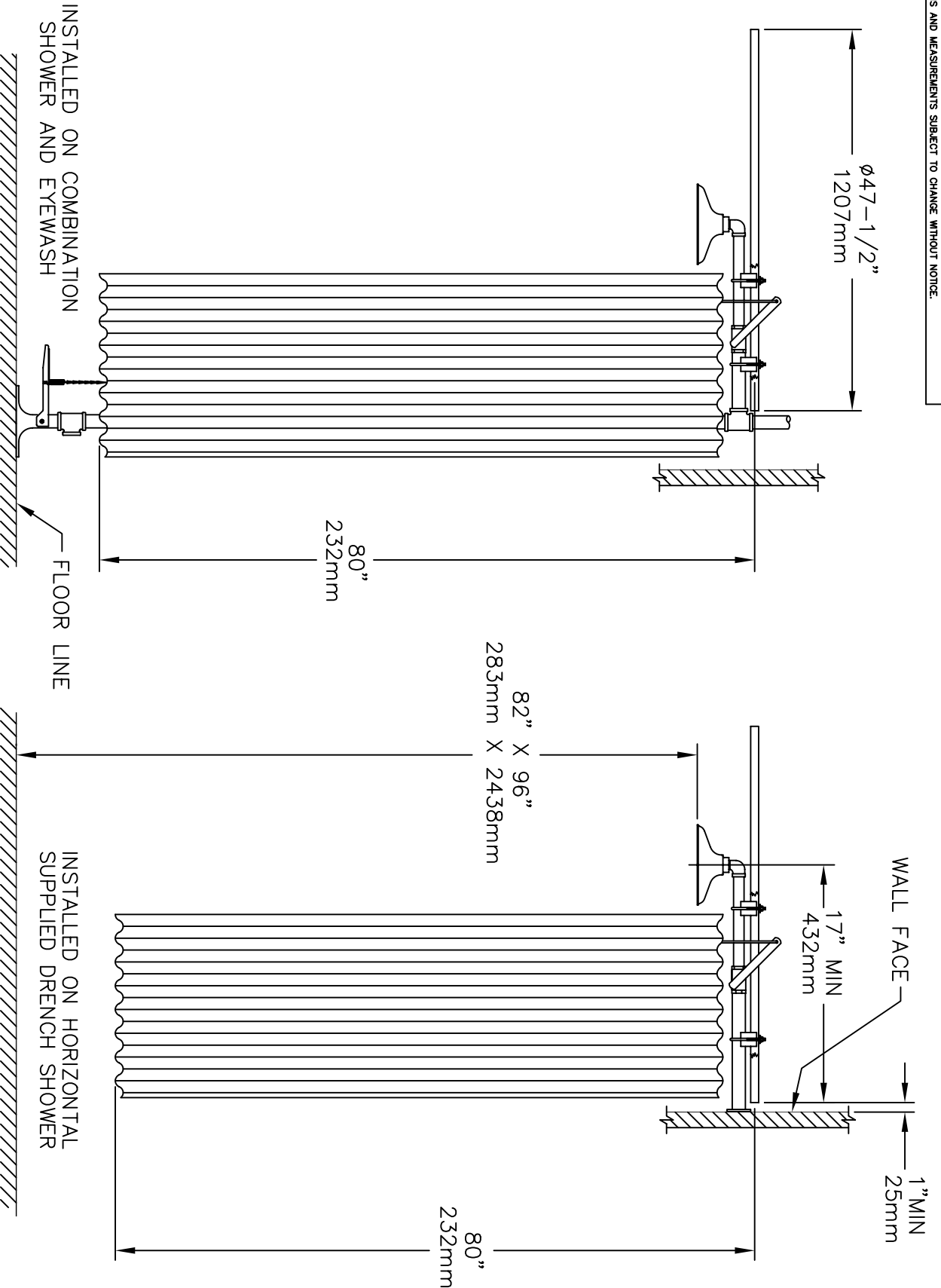


1455 KLEPPE LANE
SPARKS, NEVADA

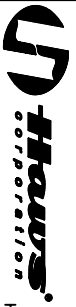
BACHWEG 3
CH3401 BURGENDORF
SWITZERLAND

DRAWN BY: C.H.	DATE: 06/01/96	CHECK BY:	APP'D BY:	SCALE: 1/12
TITLE: 9037 MODESTY CURTAIN			PART NUMBER: 0002080217	
DRAWING TYPE: PARTS BREAKDOWN			DRAWING NUMBER: 12521C00	REV. 6

REV	DESCRIPTION	ECN	DATE	BY/APVD
6	UPDATED TO REV 6 PER ECN	3900	01/30/07	HM
REVISIONS				



NOTE:
 THE ANSI STANDARD SPECIFIES SHOWER HEAD HEIGHT TO BE 82" (283mm) TO 96" (2438mm) ABOVE THE FLOOR.



INFO FAX : 1-888-FAX-HAWS (1-888-329-4297)

1455 Kleppe Ln, Sparks NV, 89431

Phone: 775-359-4712 Fax: 775-359-7424

Haws Ag Boobweg 3 CH-3401 Burgdorf Switzerland

Haws Mfg Pte Ltd 74 Sungai Kudat Loop Singapore 729531

e-mail: Haws@hawsco.com website: www.hawsco.com

FORM NO. 1	REVISED PER DATE	REV. DATE	MODEL(S)	PART NUMBER
1	ECH: 3900	HM	9037	0002080217.D
2	DA: 05/91	CH	9037	09446C00
3	DA: 05/91	CH	9037	09446C00
4	DA: 05/91	CH	9037	09446C00
5	DA: 05/91	CH	9037	09446C00
6	DA: 05/91	CH	9037	09446C00
7	DA: 05/91	CH	9037	09446C00
8	DA: 05/91	CH	9037	09446C00
9	DA: 05/91	CH	9037	09446C00
10	DA: 05/91	CH	9037	09446C00
11	DA: 05/91	CH	9037	09446C00
12	DA: 05/91	CH	9037	09446C00
13	DA: 05/91	CH	9037	09446C00
14	DA: 05/91	CH	9037	09446C00
15	DA: 05/91	CH	9037	09446C00
16	DA: 05/91	CH	9037	09446C00
17	DA: 05/91	CH	9037	09446C00
18	DA: 05/91	CH	9037	09446C00
19	DA: 05/91	CH	9037	09446C00
20	DA: 05/91	CH	9037	09446C00
21	DA: 05/91	CH	9037	09446C00
22	DA: 05/91	CH	9037	09446C00
23	DA: 05/91	CH	9037	09446C00
24	DA: 05/91	CH	9037	09446C00
25	DA: 05/91	CH	9037	09446C00
26	DA: 05/91	CH	9037	09446C00
27	DA: 05/91	CH	9037	09446C00
28	DA: 05/91	CH	9037	09446C00
29	DA: 05/91	CH	9037	09446C00
30	DA: 05/91	CH	9037	09446C00
31	DA: 05/91	CH	9037	09446C00
32	DA: 05/91	CH	9037	09446C00
33	DA: 05/91	CH	9037	09446C00
34	DA: 05/91	CH	9037	09446C00
35	DA: 05/91	CH	9037	09446C00
36	DA: 05/91	CH	9037	09446C00
37	DA: 05/91	CH	9037	09446C00
38	DA: 05/91	CH	9037	09446C00
39	DA: 05/91	CH	9037	09446C00
40	DA: 05/91	CH	9037	09446C00
41	DA: 05/91	CH	9037	09446C00
42	DA: 05/91	CH	9037	09446C00
43	DA: 05/91	CH	9037	09446C00
44	DA: 05/91	CH	9037	09446C00
45	DA: 05/91	CH	9037	09446C00
46	DA: 05/91	CH	9037	09446C00
47	DA: 05/91	CH	9037	09446C00
48	DA: 05/91	CH	9037	09446C00
49	DA: 05/91	CH	9037	09446C00
50	DA: 05/91	CH	9037	09446C00