

Quarter Turn Straight Pattern 5/8" O.D. Compression (Fits 1/2" Copper) x 3/8" O.D. Supply Valve with Contempo Lever Handle



Model #: 622-2-

FEATURES:

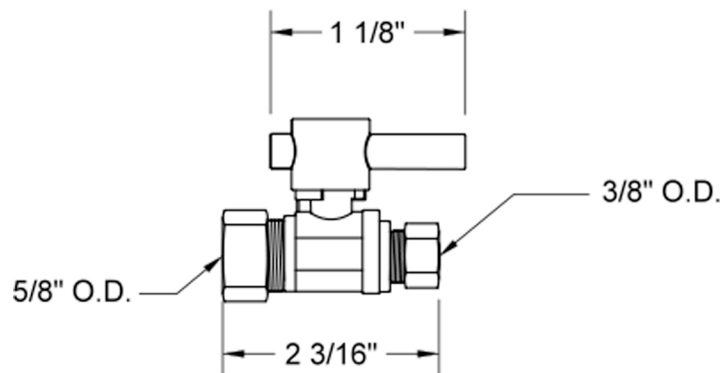
- Straight pattern 5/8" O.D. compression fit x 3/8" O.D. quarter turn ball valve
- 5/8" O.D. compression inlet x 3/8" O.D. outlet
- 5/8" O.D. compression fits 1/2" copper tubing
- All brass body and stem



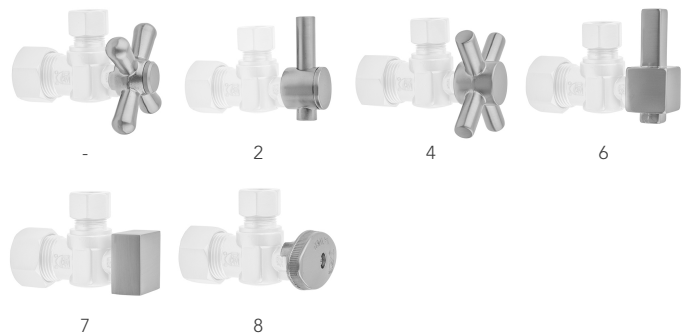
AVAILABLE FINISHES:

Polished Chrome (PCH)	Satin Chrome (SC)	Bronze Umber (BU)
Satin Nickel (SN)	Pewter (PEW)	Caramel Bronze (CB)
Polished Nickel (PN)	Antique Brass (AB)	Antique Copper (ACU)
Oil-Rubbed Bronze (ORB)	Polished Brass (PB)	Polished Copper (PCU)
Vintage Bronze (VB)	Satin Brass (SB)	Rose Gold (RG)
Matte Black (MBK)	Satin Gold (SG)	Polished Gold (PG)
Black Nickel (BKN)	Bombay Gold (BG)	Jewelers Gold (JG)
Europa Bronze (EB)	White (WH)	Sedona Beige (SDB)
Tristan Brass (TB)	Unlacquered Brass (ULB)	

SPECIFICATION DRAWING:



AVAILABLE HANDLES:



COMPLIANCES:

Complies with: ASME A112.18.1-2012/CSA B125.1-12