

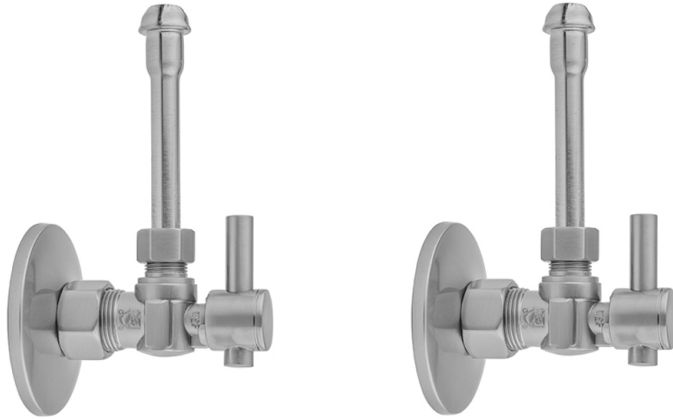
Quarter Turn Angle Pattern 5/8" O.D. Compression (Fits 1/2" Copper) x 3/8" O.D. Faucet Supply Kit with Contempo Lever Handle, 20" Supply Tubes, Escutcheons

Model #: 621-2-62-



FEATURES:

- Complete Faucet Supply Kit
- Kit contains:
 - (2) Quarter Turn Angle Pattern 5/8" O.D. Compression (Fits 1/2" Copper) x 3/8" O.D. Supply Valve with Contempo Lever Handle P/N 621-2
 - (2) 20" Copper Supply Tubes P/N 662
 - (2) Escutcheons P/N 7463 (ULB P/N 6015)

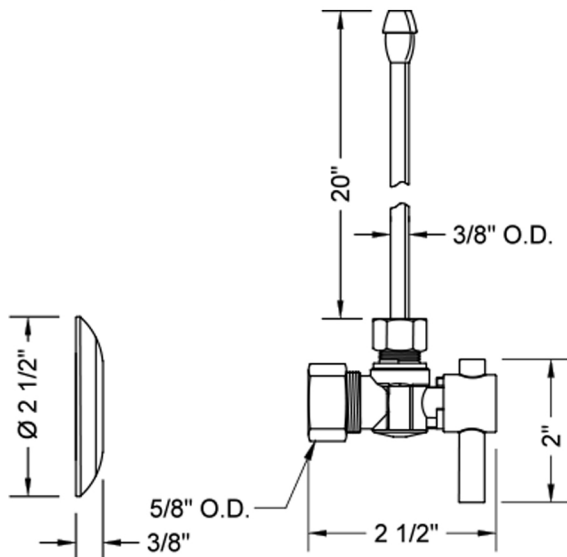


AVAILABLE FINISHES:

| | | |
|-------------------------|-------------------------|-----------------------|
| Polished Chrome (PCH) | Satin Chrome (SC) | Bronze Umber (BU) |
| Satin Nickel (SN) | Pewter (PEW) | Caramel Bronze (CB) |
| Polished Nickel (PN) | Antique Brass (AB) | Antique Copper (ACU) |
| Oil-Rubbed Bronze (ORB) | Polished Brass (PB) | Polished Copper (PCU) |
| Vintage Bronze (VB) | Satin Brass (SB) | Rose Gold (RG) |
| Matte Black (MBK) | Satin Gold (SG) | Polished Gold (PG) |
| Black Nickel (BKN) | Bombay Gold (BG) | Jewelers Gold (JG) |
| Europa Bronze (EB) | White (WH) | Sedona Beige (SDB) |
| Tristan Brass (TB) | Unlacquered Brass (ULB) | |

SPECIFICATION DRAWING:

| COMPONENTS | |
|-------------------------------------|------|
| DESCRIPTION | QTY: |
| ANGLE VALVE - CONTEMPO LEVER HANDLE | 2 |
| 20" x 3/8" O.D. SUPPLY TUBE | 2 |
| ESCUTCHEON | 2 |



AVAILABLE HANDLES:

