

1. BEFORE YOU BEGIN

A. INTRODUCTION

Please read these instructions carefully to familiarize yourself with the required tools, materials, and installation sequences. Follow the sections that pertain to your particular installation. This will help you avoid costly mistakes. In addition to proper installation, read all operating and safety instructions.

All information in these instructions is based on the latest product information available at the time of publication. Kohler Co. reserves the right to make changes in product characteristics, packaging, or availability at any time without notice.

These instructions contain important care, cleaning, and warranty information – **please leave instructions for the consumer.**

B. INSTALLER HAZARD NOTIFICATION



CAUTION: Risk of personal injury. Cast iron baths are extremely heavy. Wear appropriate safety equipment when installing these products.

NOTICE: Observe all local plumbing codes.

C. NOTES

For the overall dimensions, weight, and capacity to overflow, consult the Kohler Design Manual or the individual Specification Sheets.

D. PRODUCT REQUIREMENTS

- Apron baths are not reversible. If the drain and faucet are on the left end of the recess area, the installation requires a left-outlet bath.
- Install the unit to a level subfloor.
- Provide properly-dimensioned framing.
- Consult the Kohler Design Manual or the individual Specification Sheets for the recommended drain. Above-the-floor (rear outlet) or through-the-floor drain installations will require a variation code when ordering Kohler drains.
- Carefully uncrate and inspect the new bath for damage. Make sure there is no damage to the bath. If there is a problem, do not install the bath. Report the specific problem to your dealer immediately.
- After inspection, return the bath to the crate until you are ready to install it.
- Most apron baths are 5' to 5-1/2' long, and 14" or 16" high. Measure the bath and the area where the bath is to be installed to ensure a correct fit.
- Allow for clearance of the water inlets into the bathing well.
- Ensure that the drain location corresponds to the bath outlet.

E. PRODUCT INFORMATION

Mendota (left outlet)	K-505
Mendota (right outlet)	K-506
Dynametric 5.5' (left outlet)	K-515
Dynametric 5.5' (right outlet)	K-516
Dynametric 5' (left outlet)	K-519
Dynametric 5' (right outlet)	K-520
Villager (left outlet – extra 4" ledge)	K-713
Villager (right outlet – extra 4" ledge)	K-714
Villager (left outlet)	K-715
Villager (right outlet)	K-716
Memoirs (left outlet)	K-721
Memoirs (right outlet)	K-722
Seaforth (left outlet)	K-745
Seaforth (right outlet)	K-746
Guardian (left outlet)	K-785
Guardian (right outlet)	K-786
Mayflower (left outlet)	K-821
Mayflower (right outlet)	K-824

F. TOOLS REQUIRED

- Conventional woodworking tools
- Arc pliers or 14" pipe wrench
- Rule
- Level
- Safety shoes
- Safety glasses
- Square
- Screwdriver
- Pliers

G. MATERIALS REQUIRED

- Plumbers putty
- Wall coverings, as needed
- Silicone sealant
- Metal shims
- Drop cloth

H. CLEARANCE REQUIREMENTS

Check roughing-in and room dimensions to provide adequate available space for the bath.

2. SITE REQUIREMENTS

A. REMOVE THE OLD BATH (IF APPLICABLE)

Disconnect the drain at the trap. Remove any old wall material. **Slip boards under the old bath feet to protect the floor**, and slide the old bath out of the recess as illustrated.

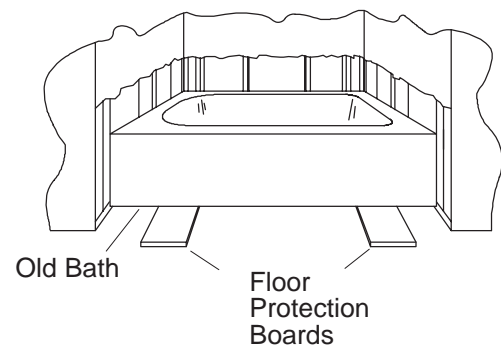


Fig. #1

B. PREPARE SUBFLOOR

Check the flooring under the bath, and repair it if necessary. Make sure the subfloor is level.

C. DETERMINE FRAMING ROUGH-IN

NOTE: These procedures assume you obtained these instructions with a shipped product. For advance site preparation, consult the Kohler Rough-In literature for the bath model you plan to install.

Measure the height, width, and depth of the bath. Verify these dimensions with those in the Bath Dimensions chart on Page 3.

Allow clearance at the drain hole location in the framing.

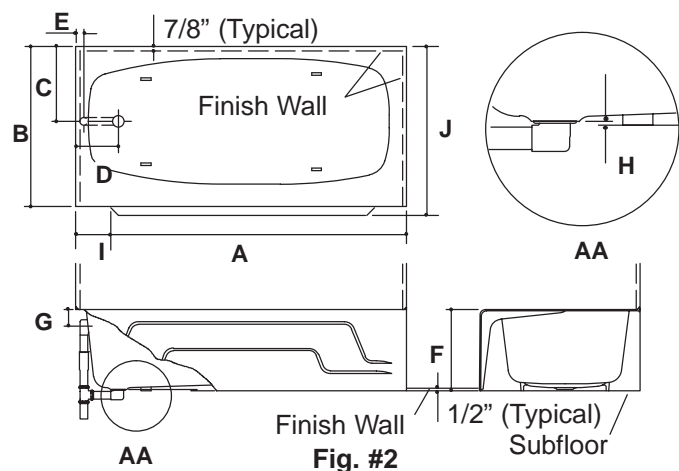


Fig. #2

For corner units, ensure adequate framing depth.

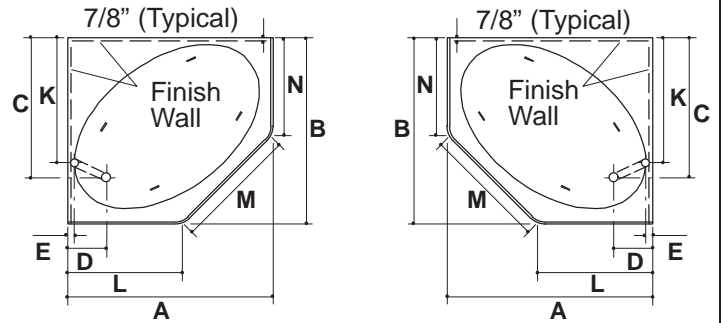


Fig. #3

D. BATH DIMENSIONS

	K-505 K-506	K-515 K-516	K-519 K-520	K-713 K-714	K-715 K-716	K-721 K-722	K-745 K-746	K-785 K-786	K-821 K-824
	Fig. #2	Fig. #2	Fig. #2	Fig. #2	Fig. #2	Fig. #2	Fig. #2	Fig. #2	Fig. #3
A	60"	66"	60"	60"	60"	60"	54"	60"	48"
B	32"	32"	32"	34-1/4"	30-1/4"	32"	30-1/4"	32"	44"
C	15-3/8"	15"	15"	18-1/4"	14-1/2"	16"	14"	15-3/8"	32-7/8"
D	8-1/2"	8-1/2"	8-5/8"	8-1/2"	8-1/2"	8-1/2"	8-1/2"	8-1/2"	9-1/2"
E	1-5/8"	1-5/8"	1-5/8"	1-5/8"	1-5/8"	1-1/2"	1-5/8"	1-5/8"	1-5/8"
F	16-1/4"	16-1/4"	16-1/4"	14"	14"	17-7/16"	14"	16-1/4"	14"
G	3-1/4"	3-1/4"	3"	3-1/4"	3-1/4"	3-1/4"	3-1/4"	3-1/4"	3-1/8"
H	1/4"	1/4"	1/4"	1/4"	1/4"	1/8"	1/4"	1/4"	1/4"
I						1-3/16"			
J						33-3/4"			
K									29-1/2"
L									27-1/2"
M									29"
N									23-1/2"
Wt.	352 #	376 #	345 #	330 #	316 #	350 #	277 #	351 #	332 #

Check the flooring under the bath area, and replace or repair it as needed.

Construct a recess designed for your particular installation. Framing is of 2x4 construction. When constructing the framing, allow for the thickness of the sub and finish wall materials.

E. DETERMINE DRAIN ROUGH-IN

Unless the bottom of the bath is elevated for an above-the-floor drain installation, cut a minimum 6" by 12" hole in the floor for the drain connection.

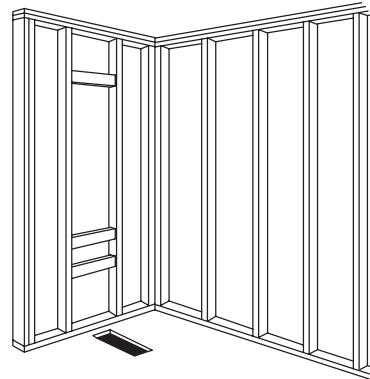


Fig. #4

For corner units, cut the drain connection hole large enough to allow clearance for the diagonal position of the drain.

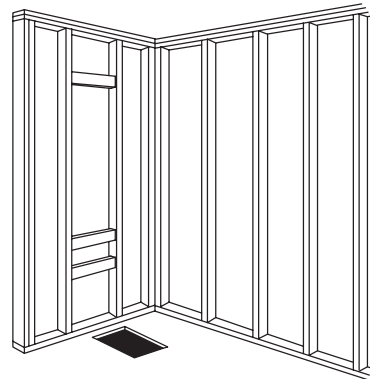


Fig. #5

F. PARTIALLY INSTALL BATH DRAIN

Install the drain on the bath according to the drain manufacturer's instructions.

G. PROTECT BATH UNIT

Position a drop cloth or similar material in the bath bottom. Be careful not to scratch the bath surface.

3. INSTALL BATH

A. BATH SET-IN

Slide the new bath into position.

Insert the drain tailpiece into the trap.

Level the bath by positioning metal shims under the bath feet, as needed. The bath must be level and resting on all four support feet. Check for level along the top of the side of the bath and across the drain end. The bath may have to be moved in and out of the recess area until it is shimmed properly, if the support feet are not accessible from the back or side.

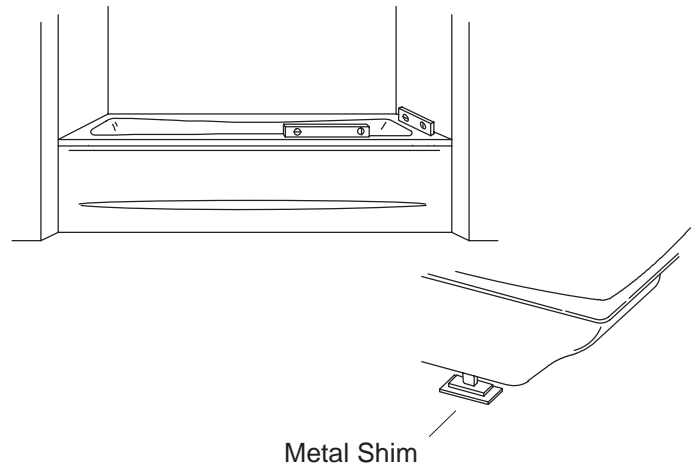


Fig. #6

B. INSTALL PLUMBING



CAUTION: Risk of damage to bath bottom and subfloor. Ensure a watertight seal on all drain connections.

When the bath is securely positioned, connect the drain to the trap. An access panel will simplify future maintenance.

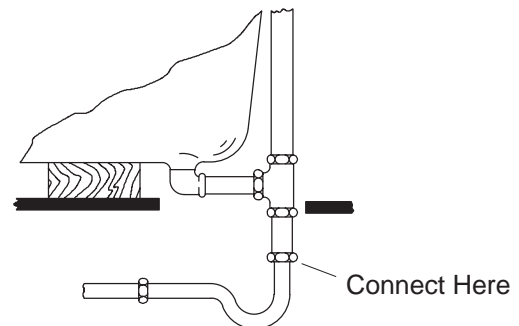


Fig. #7

Install the faucet valving and spout tee. If the faucet is deck-mounted, the deck must be finished before the handle trim and spout can be installed. Open the hot and cold water valves, and check all supply connections for leaks.

Run water into bath, and check the drain connections for leaks.

4. INSTALL GRIP RAILS – K-785 AND K-786 MODELS ONLY

Refer to the installation instructions packed with the K-9620 grip rail kit when installing the grip rails.

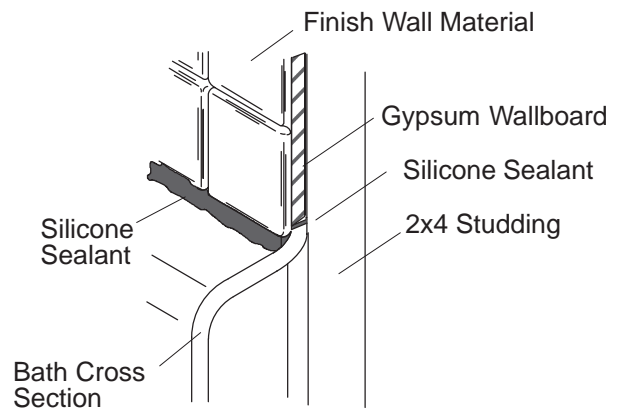
5. COMPLETE FINISH WALL

CAUTION: Risk of personal injury and product damage.

Protect the bath surface. Cover the framing and walls with gypsum wallboard.

Apply a bead of silicone sealant where the gypsum wallboard meets the bath. Install the wall covering so it is 1/16" above the enameled surface. Install the finish wall material to the subwall. Use silicone sealant to seal the joints between the bath rim and the finish wall.

Install the finish floor. Apply silicone sealant along the bottom edge of the bath apron.



6. COMPLETE INSTALLATION

A. INSTALL FAUCET HANDLES AND SPOUT

Install the faucet handles and spout according to the faucet manufacturer's instructions.

7. CLEAN-UP AFTER INSTALLATION

When cleaning up after installation, do not use abrasive cleansers, as they may scratch and dull the bath surface. Use warm water and a liquid detergent to clean the surface.

Stubborn stains, paint, or tar can be removed with turpentine or paint thinner. Do not allow cleaners containing petroleum distillates to remain in contact with bath surfaces for long periods of time. Plaster can be removed by scraping with a wood edge. Do not use metal scrapers, wire brushes, or other metal tools. A powder-type detergent may be used on a damp cloth to provide mild abrasive action to the residual plaster.

8. IMPORTANT CONSUMER INFORMATION

A. HOUSEKEEPING RESPONSIBILITIES

The Safeguard® slip-resistant surface on this bathtub meets or exceeds the requirements of ASTM-F-462 for slip resistance.



DANGER: Improper maintenance or cleaners may permanently remove the slip-resistant surface on Kohler bathtubs.

NOTICE: All housekeeping and maintenance employees must be trained in the proper cleaning of Kohler bathtubs. Post a copy of this notice in a readily-visible location.

DO NOT use steel wool, wire brushes, metal scrapers or abrasive sponge pads to clean a Kohler Bathtub.

DO NOT use buffing machines on the slip-resistant surface.

DO NOT use high alkaline or strong acid cleaners.

DO NOT use abrasive cleaners.

- Use only non-abrasive cleaners and a soft nylon brush to clean the slip-resistant surface.
- When using commercial cleaners, use cleaners with a pH of between three and eight.
- Follow cleaner manufacturer instructions very carefully.

B. REQUESTING SERVICE

Please take a moment to familiarize yourself with the Kohler Warranty, its benefits, and limitations. Kohler Co. and its distributors support you with one of the largest Service Networks of its type. Here's what you need to do if you require service:

FIRST: Contact the dealer or contractor who sold and installed the product. They should be able to solve any problems you may have.

SECOND: If your dealer or contractor cannot solve the problem, they will contact or supply you with the name of the local Kohler Distributor and the:

 KOHLER TECHNICAL SPECIALIST

THIRD: If you are unable to obtain warranty service through either your contractor or Kohler Co. distributor, please write us directly at Kohler Co., Attn: Customer Service Department, 444 Highland Drive, Kohler, Wisconsin 53044

FOURTH: Include all pertinent information regarding your claim, including a complete description of the product, model numbers, colors, finishes, and the date the product was installed. Include a description of the problem, and a photocopy of your invoice for the products involved. Also give us the name of the contractor and distributor.

C. LIFETIME LIMITED WARRANTY – CAST IRON

Kohler warrants this cast iron product to be free of defects in material and workmanship during normal residential use for as long as the original purchaser owns his/her home. Gloss reduction, scratching, staining or alkaline etching, of the finish over time due to use, cleaning practices or water or atmospheric conditions are not manufacturing defects but are indicative of normal wear and tear. This warranty is applicable to Kohler cast iron product manufactured after February 10, 2000.

If a defect is found in normal residential use, Kohler Co. will, at its election, repair, replace or make appropriate adjustment. Damage caused by accident, misuse, or abuse is not covered by this warranty. Improper care and cleaning will void the warranty. Proof of purchase (original sales receipt) must be provided to Kohler with all warranty claims. Kohler Co. is not responsible for labor charges, installation, or other consequential costs. In no event shall the responsibility of Kohler exceed the purchase price of the product.

To obtain warranty service, contact Kohler Co. through your Dealer or Plumbing Contractor, or by writing: Kohler Co., Attn: Customer Service Department, 444 Highland Drive, Kohler, WI 53044, USA, or by calling **1-800-4-KOHLER** from within the USA, **1-800-964-5590** from within Canada, or **001-877-680-1310** from within Mexico. Please be sure to provide all pertinent information regarding your claim, including a complete description of the problem, the product, model number, color and the date the product was purchased. Also include the name of your contractor or distributor and your original invoice.

If the product is used commercially, Kohler warrants the product to be free from defects in material and workmanship for one (1) year from the date of purchase as shown on the invoice or receipt with all other terms of this warranty applying except duration. **Any implied warranties for product used commercially, including that of merchantability or fitness for a particular purpose, are expressly limited in duration to the duration of the one year express warranty.**

To the extent permitted by law, Kohler Co. disclaims all implied warranties including merchantability and fitness for a particular purpose. Kohler Co. disclaims any liability for special, incidental, or consequential damages. Some states/provinces do not allow limitations on how long an implied warranty lasts or the exclusion or limitation of special, incidental, or consequential damages, so these limitations and exclusions may not apply to you. This warranty gives you specific legal rights. You may also have other rights which vary from state/province to state/province. This warranty is to the original purchaser only and excludes product damage due to installation error, product abuse, or product misuse, whether performed by a contractor, service company, or yourself. This warranty applies only for Kohler cast iron product installed in the United States of America, Canada and Mexico.

This is our exclusive written warranty.

