

# FIGURE 7020 CLAMP



## MEDIUM SPLIT HORIZONTAL PIPE CLAMPS

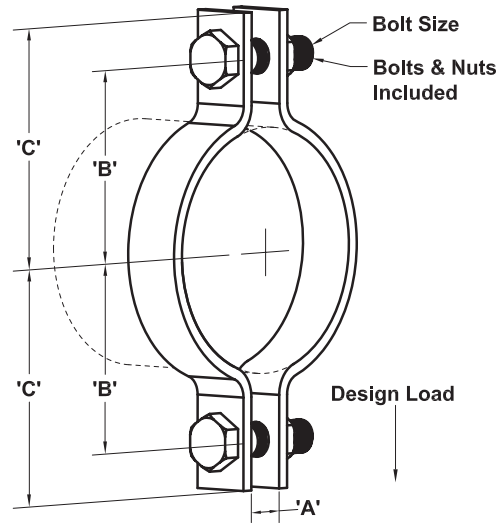
### FEATURES

- Finish - Epoxy Plated
- Color - Zinc
- UL Approved - Sizes 3/4" to 8"

### PRODUCT SPECIFICATIONS

#### Standards

- Design: MSS SP-58 Type 4
- Federal Specification: WW-H-171 Type 4



Note: A - Center of pipe to center of bolt | B - Center of pipe to end of clamp

### DIMENSIONS

Catalog Number	Pipe Size		Bolt Size	A		B		C		Design Load		Weight
	in.	mm		in.	mm	in.	mm	in.	mm	Lbs.	kN	Lbs.
FNW7020EP0050	1/2"	21.3	5/16-18UNC	13/32"	10.6	1-1/32"	26.2	1-17/32"	38.9	500	2.2	0.33
FNW7020EP0075	3/4"	26.7	5/16-18UNC	15/32"	12.0	1-3/32"	27.8	1-19/32"	40.5	500	2.2	0.34
FNW7020EP0100	1"	33.4	5/16-18UNC	15/32"	12.2	1-11/32"	34.1	1-7/8"	47.6	500	2.2	0.40
FNW7020EP0125	1-1/4"	42.2	5/16-18UNC	15/32"	12.2	1-7/16"	36.5	1-15/16"	49.2	500	2.2	0.42
FNW7020EP0150	1-1/2"	48.3	5/16-18UNC	15/32"	12.2	1-5/8"	41.3	2-1/8"	54.0	800	3.6	0.46
FNW7020EP0200	2"	60.3	1/2-13UNC	21/32"	16.4	2-1/8"	54.0	2-23/32"	69.1	1040	4.6	0.90
FNW7020EP0250	2-1/2"	73.0	1/2-13UNC	5/8"	16.0	2-5/8"	66.7	3-1/4"	82.6	1040	4.6	1.05
FNW7020EP0300	3"	88.9	1/2-13UNC	23/32"	18.0	3-1/32"	77.0	3-21/32"	92.9	1040	4.6	1.18
FNW7020EP0350	3-1/2"	101.6	1/2-13UNC	23/32"	18.6	3-1/4"	82.6	3-27/32"	97.6	1040	4.6	1.25
FNW7020EP0400	4"	114.3	5/8-11UNC	3/4"	19.4	3-9/16"	90.5	4-15/32"	113.5	1040	4.6	1.91
FNW7020EP0500	5"	141.3	5/8-11UNC	3/4"	19.4	4-19/32"	116.7	5-15/32"	138.9	1040	4.6	2.29
FNW7020EP0600	6"	168.2	3/4-10UNC	23/32"	18.2	4-15/16"	125.4	5-13/16"	147.6	1615	7.2	5.30
FNW7020EP0800	8"	219.1	3/4-10UNC	15/16"	24.0	6-3/16"	157.2	7-1/16"	179.4	1615	7.2	6.36
FNW7020EP1000	10"	273.1	7/8-9UNC	1-1/4"	32.0	7-19/32"	192.9	8-23/32"	221.5	2400	10.7	13.53
FNW7020EP1200	12"	323.9	7/8-9UNC	1-7/16"	36.8	8-9/16"	217.5	9-23/32"	246.9	2400	10.7	14.93