

FIGURE 7006E HANGERS



LIGHT-DUTY ADJUSTABLE CLEVIS HANGER

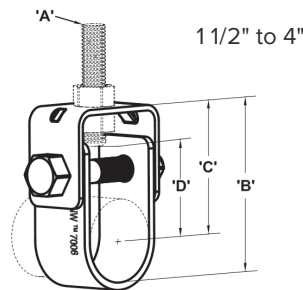
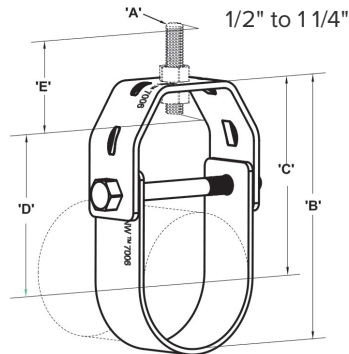
UL Approved Sizes 3/4" to 4"

FEATURES

- Finish: Epoxy plated
- Color: Zinc
- MSS SP-58, Type 1
- Federal Specification WW-H-171, Type 1

PARTS BREAKDOWN

- A—Rod size (hanger rod and nuts not included)
- B—Bottom of pipe to top of hanger
- C—Center of pipe to top of hanger
- D—Rod take out (center of pipe to bottom of hanger rod)
- E—Minimum thread length of hanger rod
- F—Adjustment, top of cross bolt to bottom of hanger rod nut inside hanger



DIMENSIONS

Catalog Number	Pipe Size		A (Rod Size)	B		C		D	
	in	mm		in	mm	in	mm	in	mm
FNW7006EP0050	1/2	21.30	3/8"-16	2.00	51.20	1.56	39.75	0.51	13.05
FNW7006EP0075	3/4	26.70	3/8"-16	2.43	61.60	1.87	47.45	0.82	20.75
FNW7006EP0100	1	33.40	3/8"-16	2.70	68.52	2.00	51.02	0.96	24.32
FNW7006EP0125	1-1/4	42.12	3/8"-16	3.28	83.20	2.41	61.10	1.34	34.10
FNW7006EP0150	1-1/2	48.30	3/8"-16	3.89	98.90	2.90	73.75	1.84	46.75
FNW7006EP0200	2	60.30	3/8"-16	4.41	111.90	3.18	80.75	1.92	48.75
FNW7006EP0250	2-1/2	73.00	1/2"-13	5.17	131.20	3.69	93.70	2.31	58.80
FNW7006EP0300	3	88.90	1/2"-13	5.88	149.40	4.08	103.70	2.71	68.80
FNW7006EP0400	4	114.30	5/8"-11	7.64	194.00	5.33	135.35	3.92	99.45

DIMENSIONS

Catalog Number	Pipe Size		E		F		Bolt Size	Design Load		Weight
	in	mm	in	mm	in	mm		lbs	kN	
FNW7006EP0050	1/2	21.3	2.5	63.5	0.44	11.1	1/4-20UNC	150	0.67	0.10
FNW7006EP0075	3/4	26.7	2.5	63.5	0.5	12.7	1/4-20UNC	150	0.67	0.12
FNW7006EP0100	1	33.4	2.5	63.5	0.63	15.9	1/4-20UNC	250	1.11	0.13
FNW7006EP0125	1-1/4	42.2	2.5	63.5	0.87	22.2	1/4-20UNC	250	1.11	0.21
FNW7006EP0150	1-1/2	48.3	2.5	63.5	1.19	30.2	1/4-20UNC	250	1.11	0.23
FNW7006EP0200	2	60.3	2.5	63.5	1.63	41.3	1/4-20UNC	250	1.11	0.33
FNW7006EP0250	2-1/2	73.0	2.5	63.5	2	50.8	3/8-16UNC	350	1.56	0.45
FNW7006EP0300	3	88.9	2.5	63.5	2	50.8	3/8-16UNC	350	1.56	0.51
FNW7006EP0400	4	114.3	2.5	63.5	2	50.8	3/8-16UNC	400	1.78	0.84

FNW.COM

©2022 Ferguson Enterprises, LLC 1222 4796793

We reserve the right to modify or improve the designs or specifications of our products at any time without notice.