

**12" MOP SERVICE BASIN  
WITH 6" DROP FRONT**

- One piece, precast terrazzo made of black and white marble chips in gray portland cement to produce a compressive strength not less than 3000 P.S.I. seven days after casting.
- Terrazzo surface shall be ground and polished with all air holes or pits grouted and excess removed.
- Shoulders shall be not less than 12" high outside and 10" inside at lowest wall. Shoulder width not less than 2" on all sides with a 1/4" pitch towards the inside.
- Standard drain body is stainless steel cast integrally and provides for a caulked lead connection not less than 1" deep to a 3" pipe.
- Stainless steel strainer # 1453BB

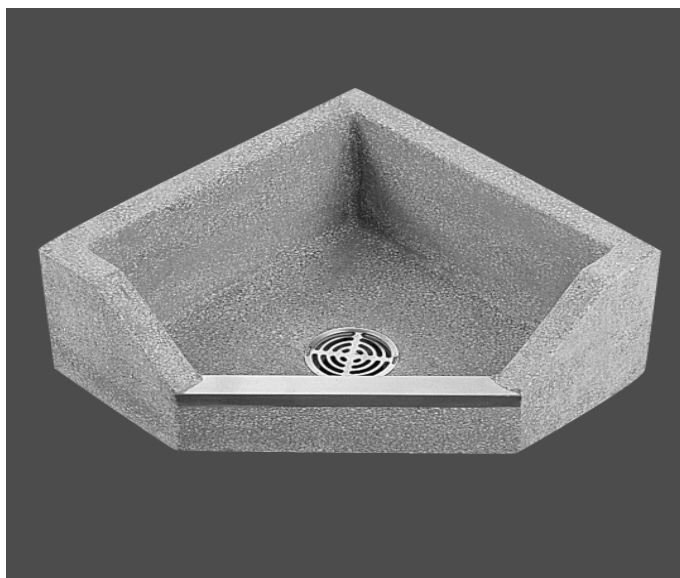
**Options**

- QDC quick drain connectors
- Integral galvanized tiling flanges available at no additional charge.
- Stainless steel tiling flanges available with up-charge. Must be custom order.
- Chrome plated brass drain or Vandal proof drain. Must be custom order.

- TSBC1610, TSBC1611, TSBC1612 Neo-corner Series** with stainless steel caps on thresholds only
- TSB3000, TSB3001, TSB3002, TSB3003 Series** with stainless steel caps on all curbs
- TSB3010, TSB3011, TSB3012, TSB3013 Series** with stainless steel caps on thresholds only

**Optional Components:**

- 830AA** Mop Service Basin Fitting
- 832AA** Hose & Hose Bracket
- 1239BB** Aluminum Bumperguard with Vinyl Insert
- 833AA** Silicone Sealant
- MSG** Wall Guards - Stainless Steel
  - Wall Guards are manufactured of heavy gauge stainless steel and help protect walls adjacent to Mop Basin. Two panels are required for corner installations. Optional third panel is required for a recessed installation. (MSG2424; MSG2828; MSG3232; MSG3624; MSG3636)

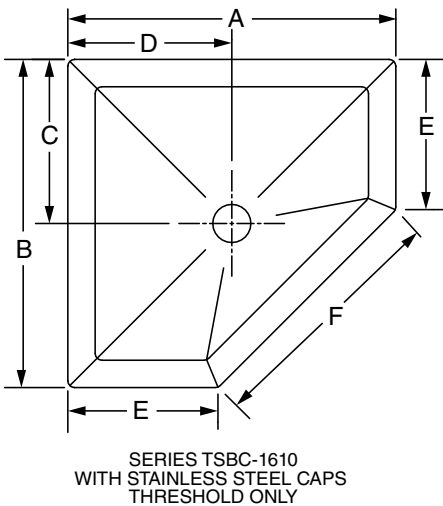
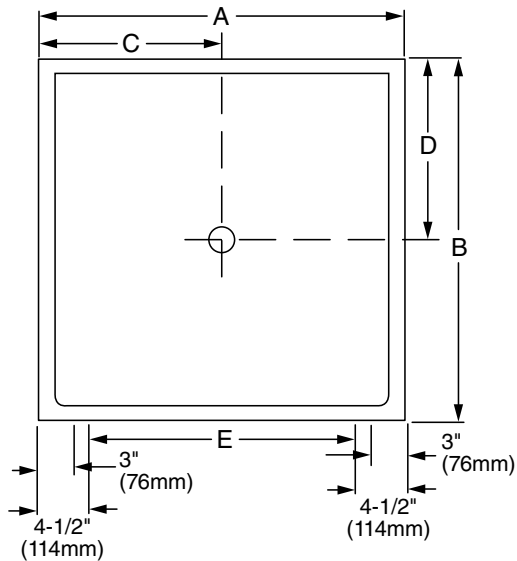


Shown: TSBC1610

SEE REVERSE FOR ROUGHING-IN DIMENSIONS

**NOTES:** Terrazzo Mop Basins **must** be installed on a 1/2" layer of mortar in order that the mop basin be level and to prevent cracking. Failure to install terrazzo without a mortar bed will void the warranty. Installations require a 1/4" clearance between mop basin and wall.

**CERTIFICATIONS:**



Series TSB3000  
With Stainless Steel Caps On All Curbs

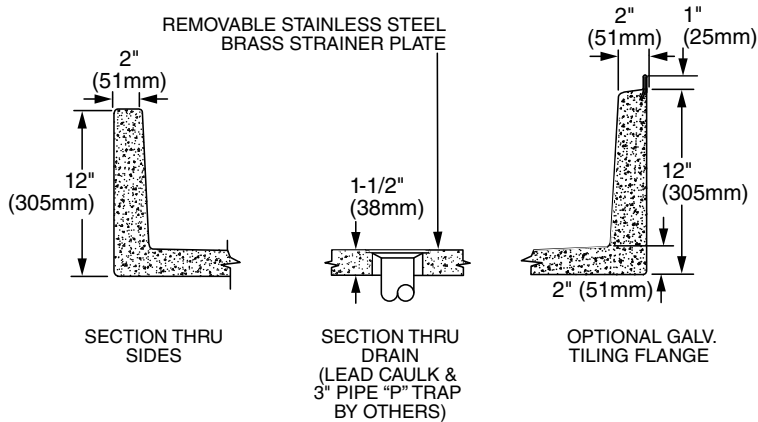
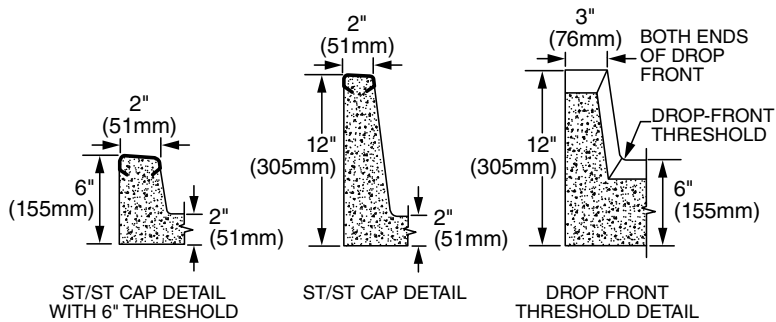
MODEL	SIZE	A	B	C	D	E
TSB3000	24" x 24" x 12"	24	24	12	12	15
TSB3001	32" x 32" x 12"	32	32	16	16	23
TSB3002	36" x 36" x 12"	36	36	18	18	27
TSB3003	36" x 24" x 12"	36	24	18	12	27

Series TSB3010  
With Stainless Steel Threshold Only

MODEL	SIZE	A	B	C	D	E
TSB3010	24" x 24" x 12"	24	24	12	12	15
TSB3011	32" x 32" x 12"	32	32	16	16	23
TSB3012	36" x 36" x 12"	36	36	18	18	27
TSB3013	36" x 24" x 12"	36	24	18	12	27

Series TSBC1610  
With Stainless Steel Caps Threshold Only

MODEL	SIZE	A	B	C	D	E	F
TSBC1610	24" x 24" x 12"	24	24	12	12	11	18-1/4
TSBC1611	32" x 32" x 12"	32	32	12	12	14	25-3/8
TSBC1612	36" x 36" x 12"	36	36	12	12	18	25-3/8



MODELS TSB3010, TSB3011, TSB3012 AND TSB3013 SHALL BE SUPPLIED WITH STAINLESS STEEL CAP ON DROPPED THRESHOLD CURB ONLY.

**IMPORTANT:** Roughing in dimensions may vary 1/2" and are subject to change or cancellation without prior notice.