

Specification Sheets for EuroLav Base & Basin Sets.

SPECIFICATION VARIANCES

Dimensions on finished vanities may vary slightly from those shown on these specification sheets due to variability in construction materials.

Our products are engineered to maintain close dimensional tolerances but variability in manufacturing materials can change dimensions slightly (normally within $\pm 1/8$ " but occasionally up to $\pm 3/16$ ").

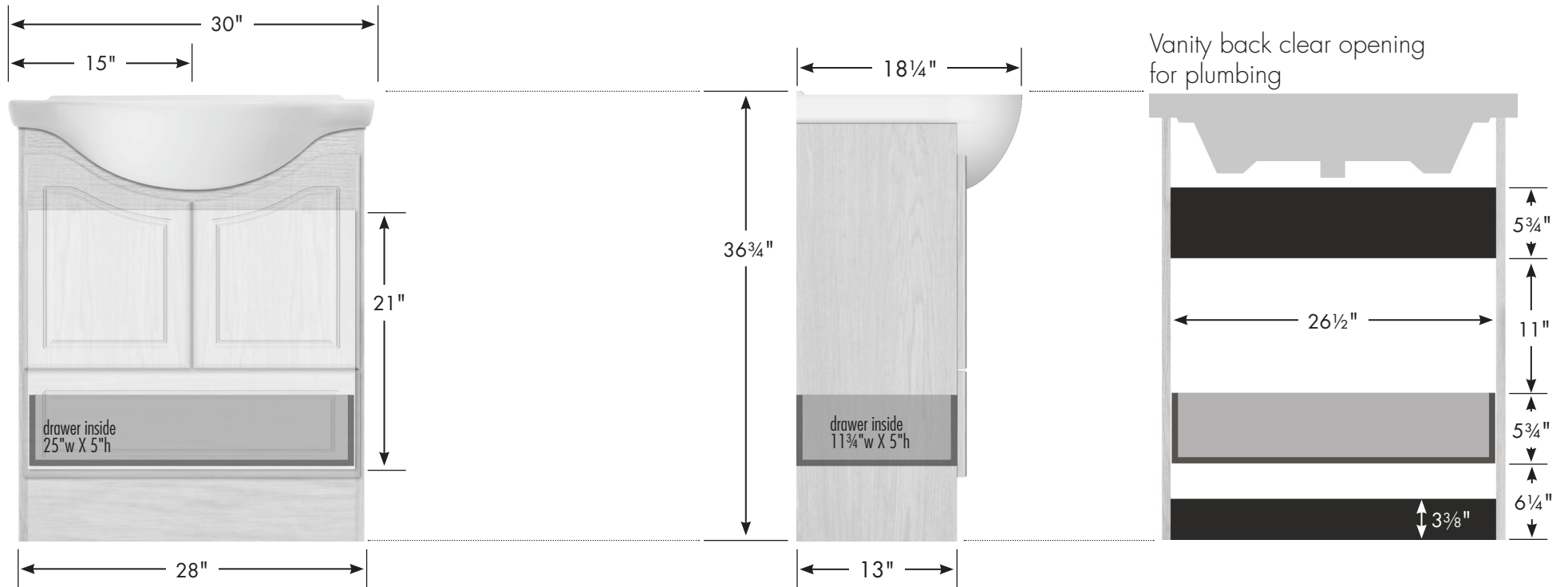
In most applications these slight variations will have no impact upon installation, appearance or function. However, when planning and finishing a space for a built in vanity, **do not frame or finish the space before measuring the actual cabinet!**

We can not be responsible for any expenses incurred as a result of the end user or contractor not following this guideline.

STRASSER

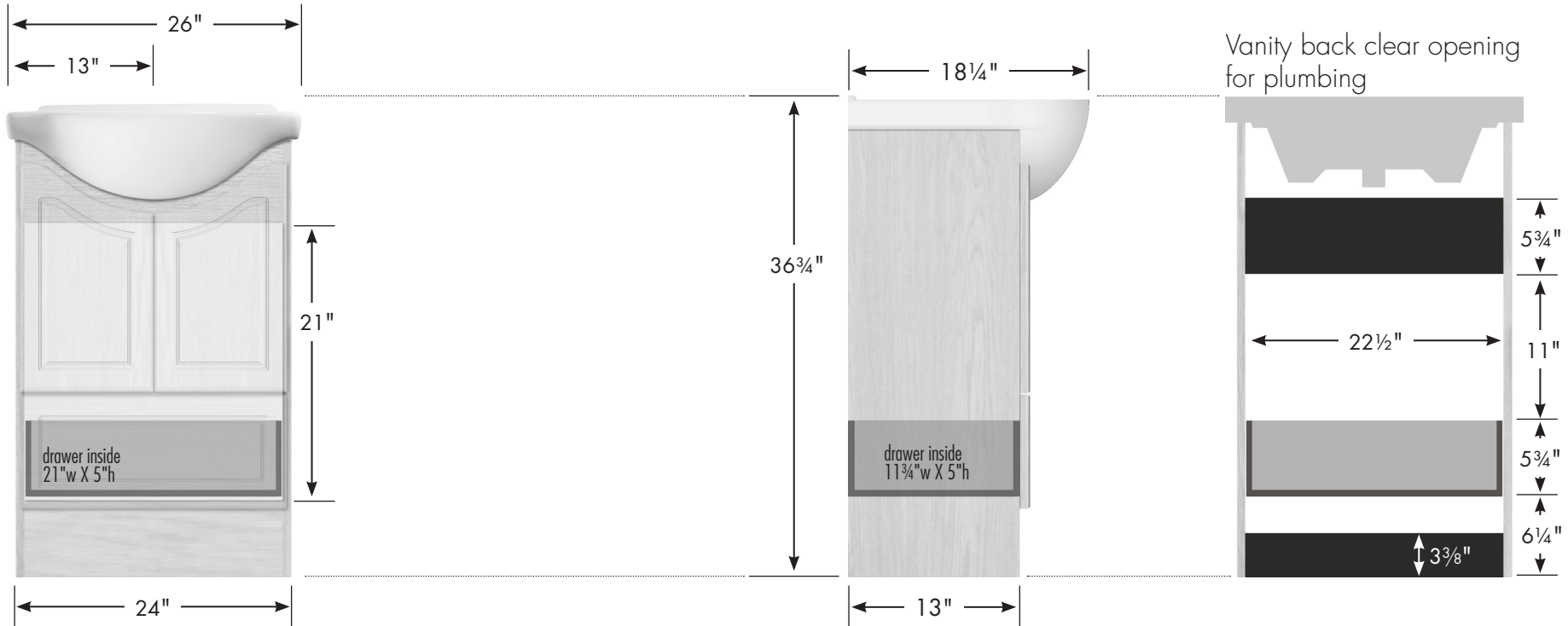
woodenworks

Montlake EuroLav
30" w, 36³/₄" h, 18¹/₄" front-to-back



**30" Montlake
 EuroLav**
 30" wide
 36³/₄" tall
 18¹/₄" front-to-back





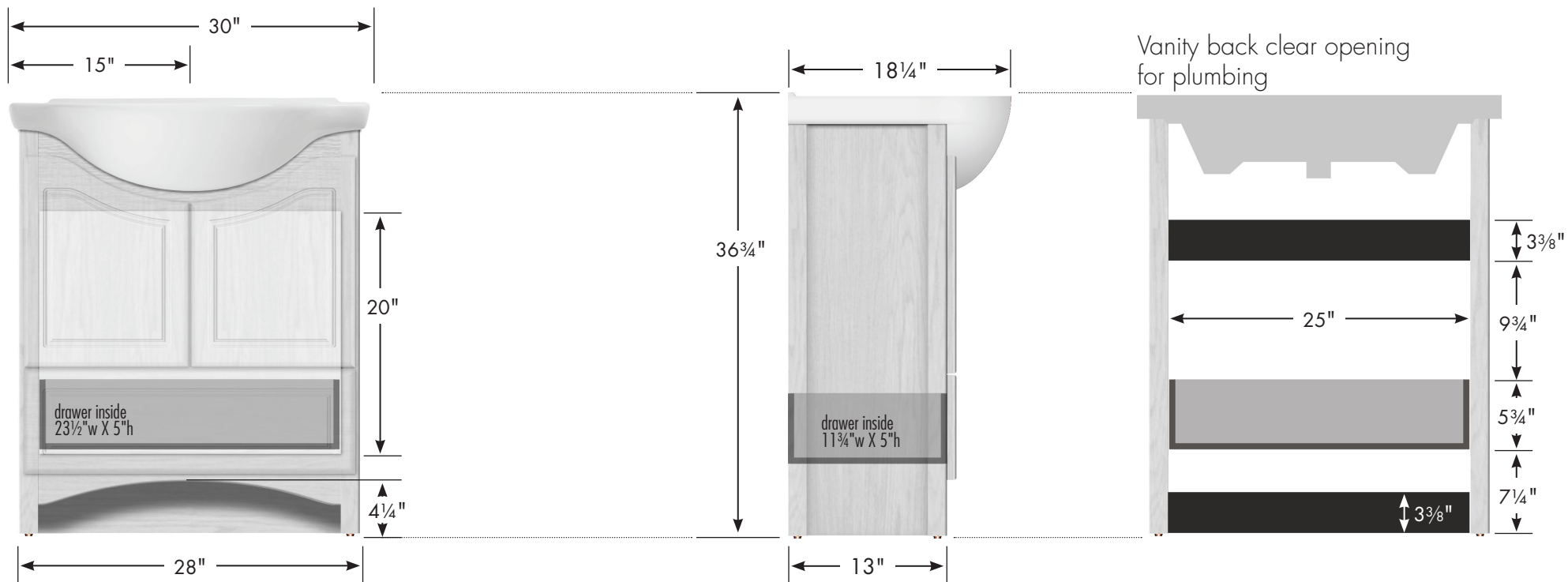
26" Montlake EuroLav
 26" wide
 36³/₄" tall
 18¹/₄" front-to-back



STRASSER

woodenworks

Ravenna EuroLav
30" w, 36³/₄" h, 18¹/₄" front-to-back



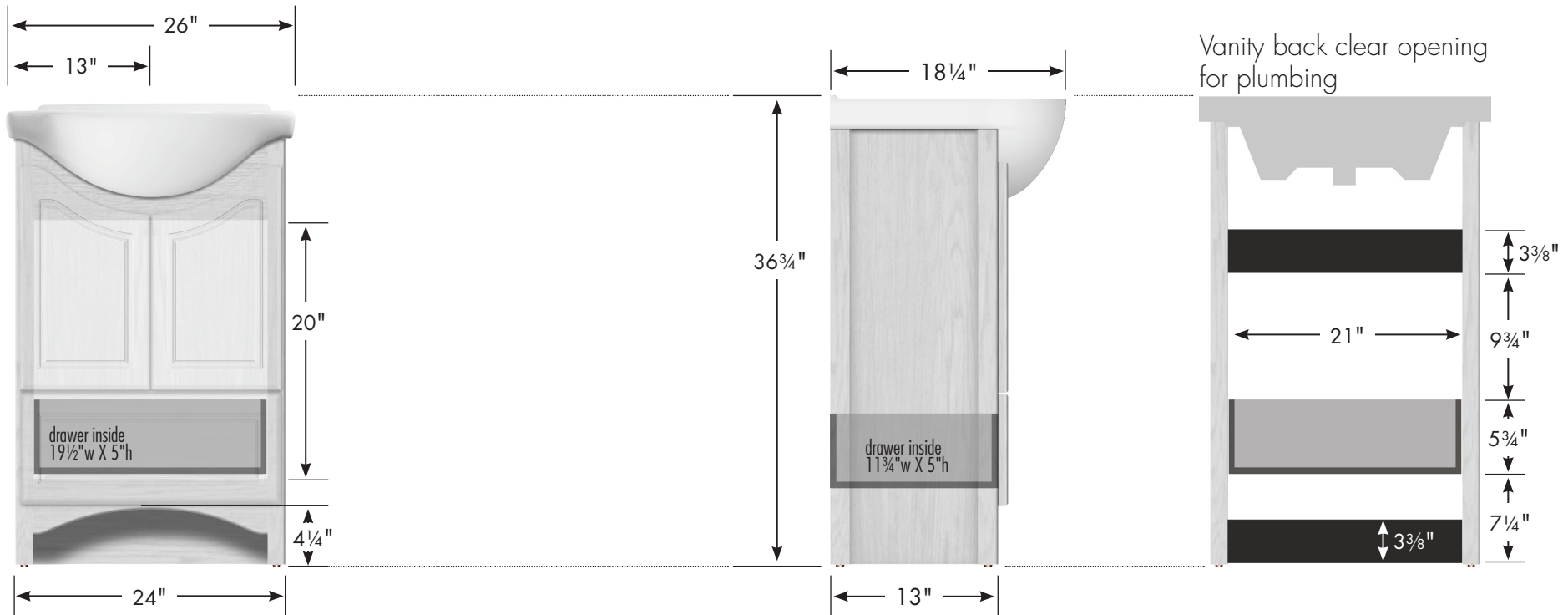
30" Ravenna EuroLav
 30" wide
 36³/₄" tall
 18¹/₄" front-to-back



STRASSER

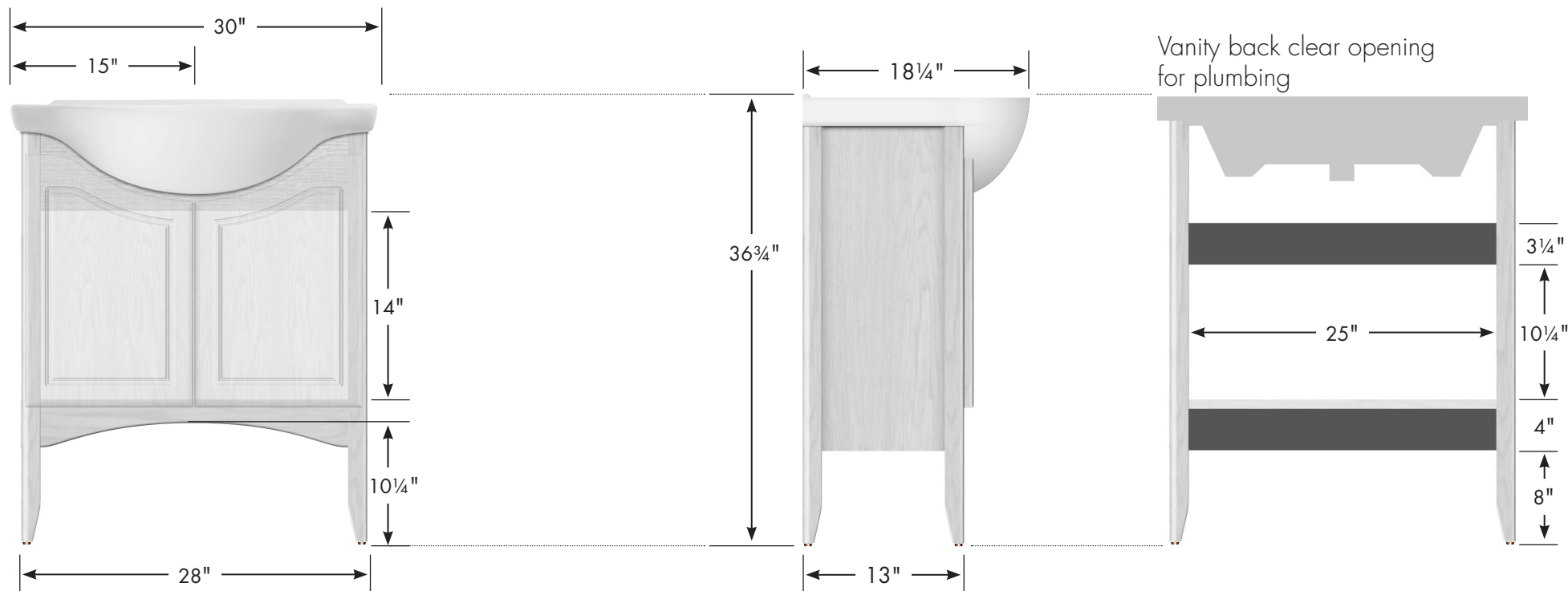
woodenworks

Ravenna EuroLav
26" w, 36³/₄" h, 18¹/₄" front-to-back



26" Ravenna EuroLav
 26" wide
 36³/₄" tall
 18¹/₄" front-to-back





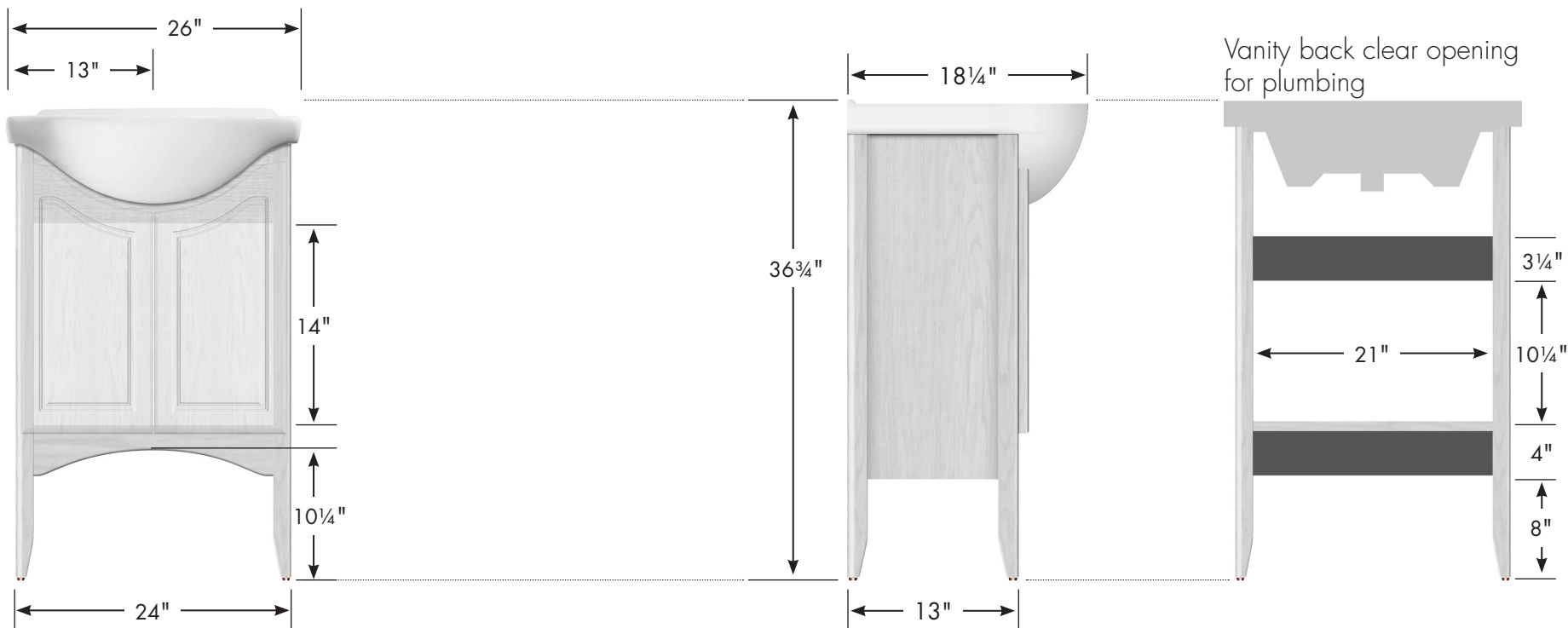
30" Wallingford EuroLav
30" wide
36³/₄" tall
18¹/₄" front-to-back



STRASSER

woodenworks

Wallingford EuroLav
26" w, 36³/₄" h, 18¹/₄" front-to-back



26" Wallingford EuroLav
26" wide
36³/₄" tall
18¹/₄" front-to-back

