

TECHNICAL SPECIFICATIONS

SHW-48

MODEL NUMBER 141135

DIMENSIONS: 47 7/8" x 34 1/2" x 82" Gelcoat



STANDARD FEATURES

- One-piece gelcoated fiberglass shower
- Built-in corner shelves
- Right/left-hand seat or no seat
- Center drain
- Optional unique feature: Reinforced walls
- Textured floor

UNIQUE FEATURES

- None

OPTIONS

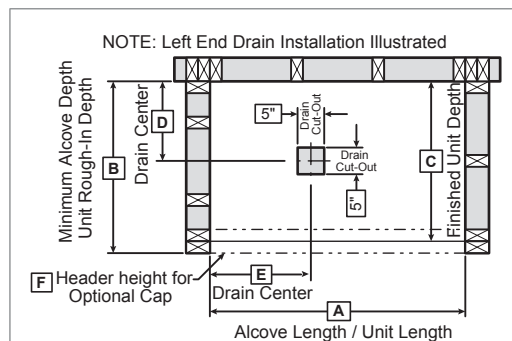
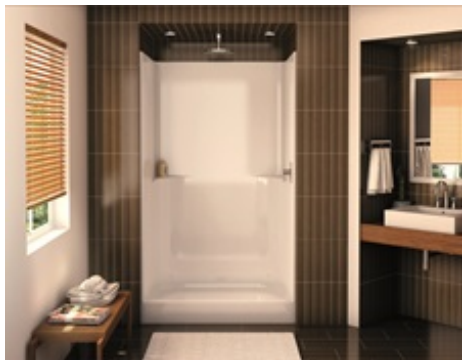
- All walls reinforced
- Wall reinforcement (one wall)

SYSTEMS

- None

DOOR SELECTION

Combine with AKER's complete shower door offering visit www.akerbymax.com



Model	A	B	C	D	E
141135	47 7/8"	34 1/2"	33 1/2"	17 5/8"	23 15/16"

Project :

Contractor :

AKER Representative : Tel :

Date :

CERTIFICATIONS

AKER products adhere to one or more of the following certifications:



TECHNICAL SPECIFICATIONS

SHW-48

MODEL NUMBER 141135

TECHNICAL DRAWINGS

With reinforcement

