

TECHNICAL SPECIFICATIONS

OV-4272

MODEL NUMBER 141114

DIMENSIONS: 72" x 42" x 21 1/2" Gelcoat



STANDARD FEATURES

- Deep and spacious bathing well
- Deck for faucet
- Textured floor
- End drain
- 20 1/2 inch deep sump
- Bottom bathing well: 47 1/2 inch L x 27 1/2 inch W
- Drop-in installation

UNIQUE FEATURES

- None

OPTIONS

- Removable solid apron kit
- Non-removable solid apron kit
- In-line heater (factory-installed)
- Pump position opposite standard position
- Designer grab bars in Chrome
- Ozonator for whirlpool system

SYSTEMS

- Homestead Bodywrap

DOOR SELECTION

Combine with AKER's complete shower door offering visit www.akerbymax.com

CERTIFICATIONS

AKER products adhere to one or more of the following certifications:



Project :

Contractor :

AKER Representative : Tel :

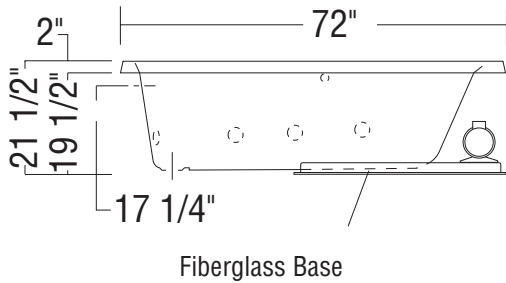
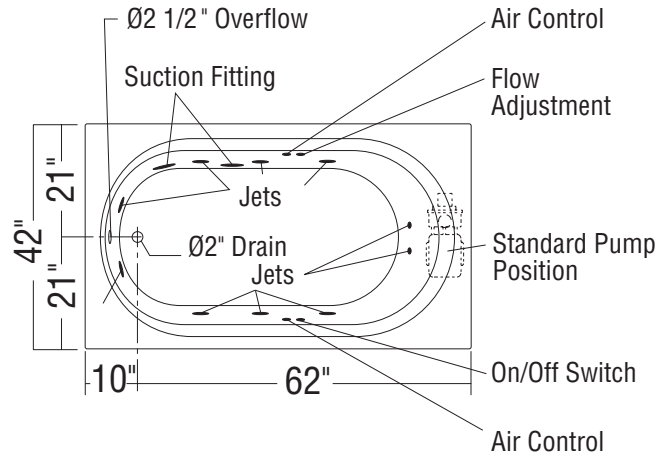
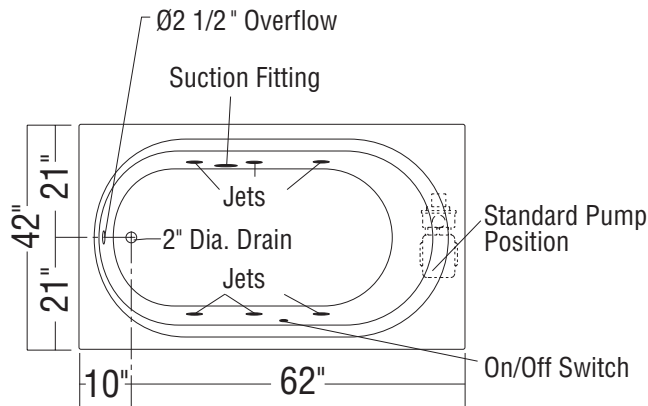
Date :

TECHNICAL SPECIFICATIONS

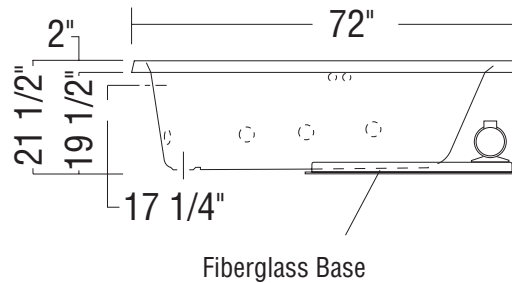
OV-4272

MODEL NUMBER 141114

TECHNICAL DRAWINGS



6-jet Homestead Collection ACOV-4272
HMS (illustrated)



10-jet Bodywrap System ACOV-4272
BWS (illustrated)